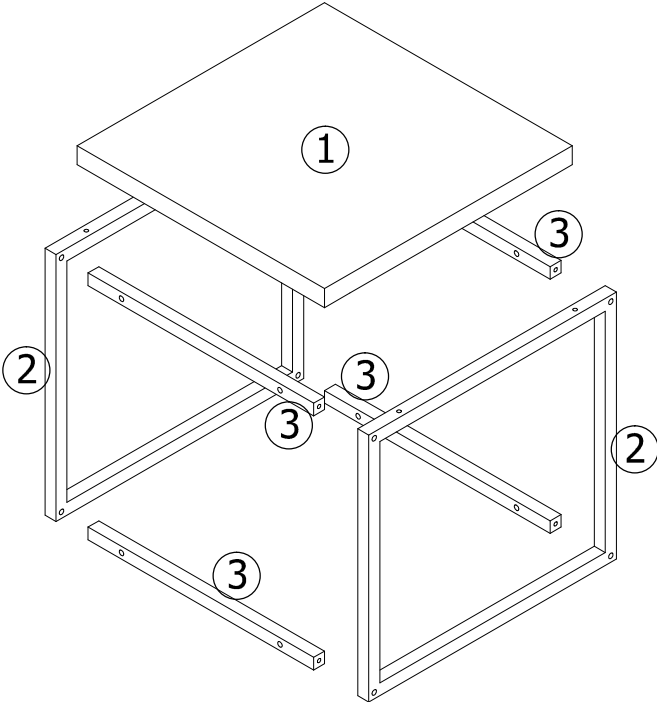



PARTS LIST



HARDWARE LIST

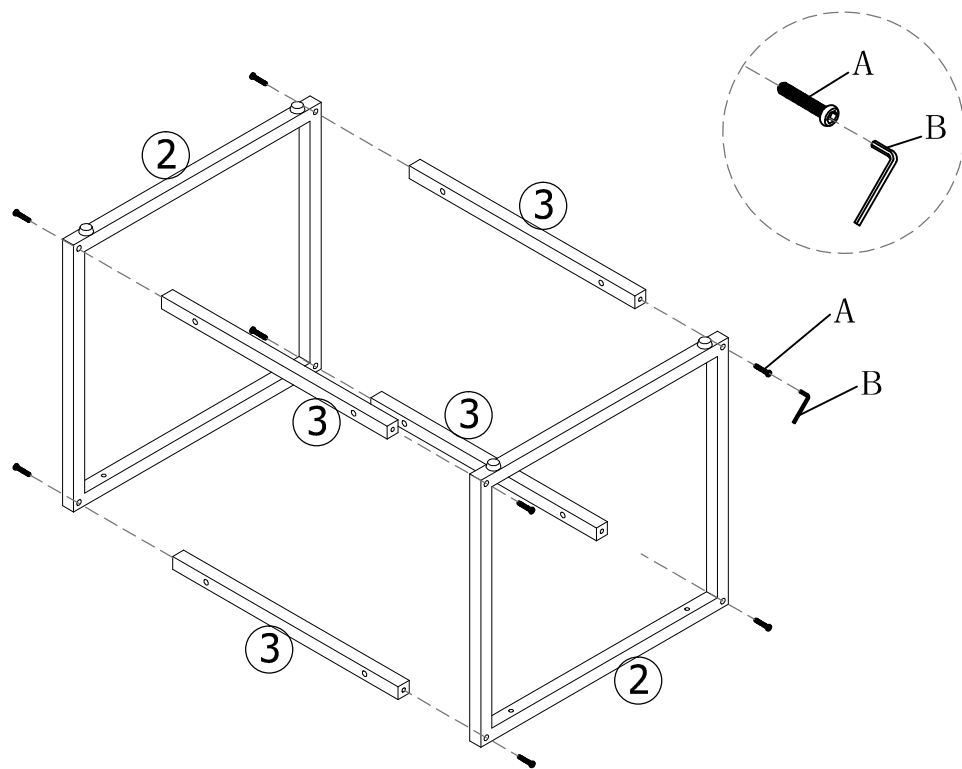
NO.	Drawing	Description	Qty	PCS SET	NO.	Drawing	Description	Qty	PCS SET
A		M6x30	12	PCS	B		4mm	1	PCS

1 ATTENTION

During assembly, first loosely align all screws with the corresponding pre-drilled holes and then tighten the screws one by one.

STEP 1

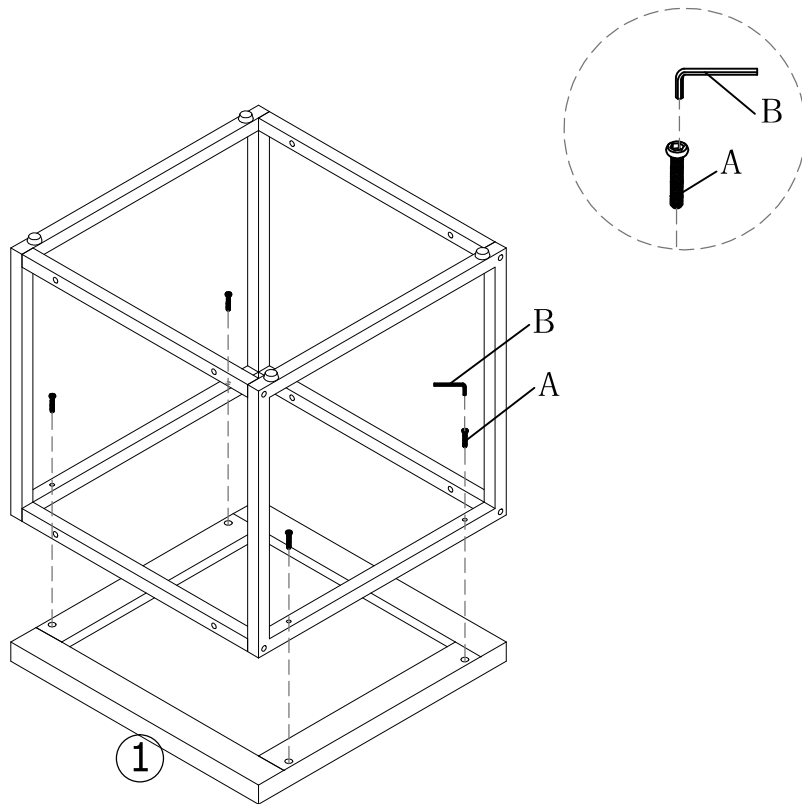
A x8pcs



2

STEP 2

A x4pcs



3

STEP 3

