



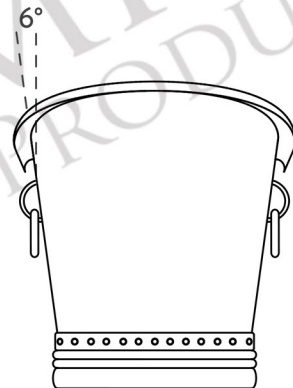
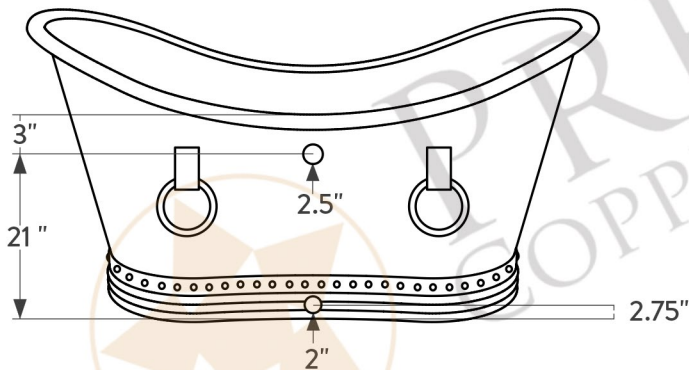
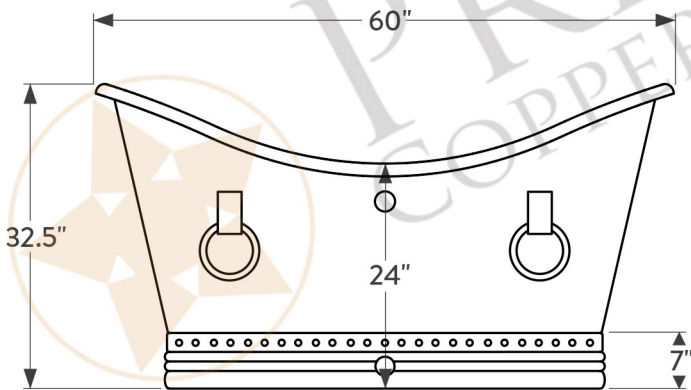
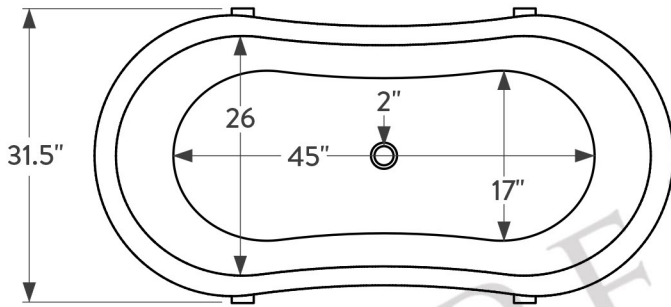
# PREMIER COPPER PRODUCTS

## MODEL NUMBER: BTDR60DBOF

- \* Description: 60" Hammered Copper Double Slipper Bathtub with Rings - Overflow Drain Compatible
- \* Outer Dimension: 60" x 31.5" x 32.5"
- \* Center Tub Height: 24"
- \* Drain Opening: 2" Center
- \* Finish: Oil Rubbed Bronze
- \* Hole Sizes: 2.5" (Top) 2" (Bottom)
- \* Hole Locations: 21" from ground to center of hole (Top)  
2.75" from ground to center of hole (Bottom)

CODE/STANDARD COMPLIANCE

\* IAPMO/UPC LISTED



THIS PRODUCT IS HAND CRAFTED, SMALL VARIANCES IN COLOR AND SIZE MAY OCCUR.  
DO NOT MAKE ANY INSTALLATION CUTS UNTIL YOU RECEIVE YOUR ITEM(S).