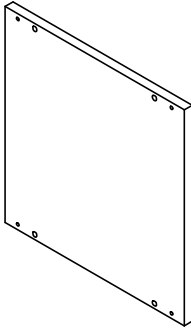
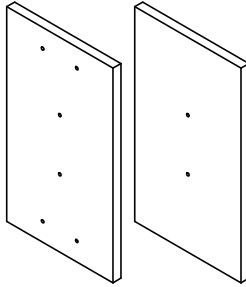


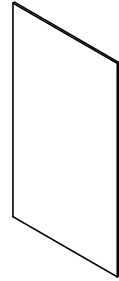
# Installation & Assembly



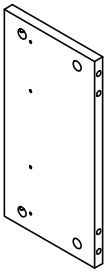
Ax2



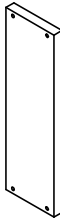
Bx1



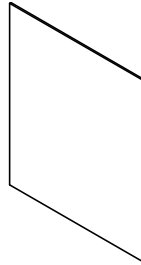
$\frac{346 \times 195}{13.6 \times 7.7}$   
Cx1



Dx2



Ex1



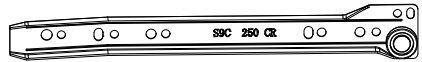
$\frac{292 \times 250}{11.5 \times 9.8}$   
Fx1



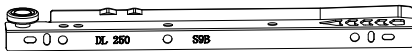
Gx2



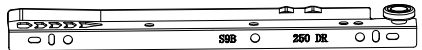
$\frac{250}{9.8}$   
CLx1



$\frac{250}{9.8}$   
CRx1



$\frac{250}{9.8}$   
DLx1



$\frac{250}{9.8}$   
DRx1



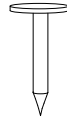
Hx16



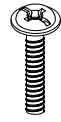
lx8



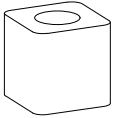
Jx16



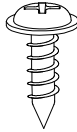
Kx20



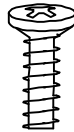
Lx2



Mx1



Nx1



Ox4



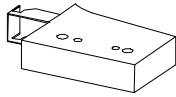
Px4  
M3.5x  $\frac{12}{0.5}$



Qx4  
M3.5x  $\frac{30}{1.2}$



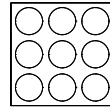
Rx1



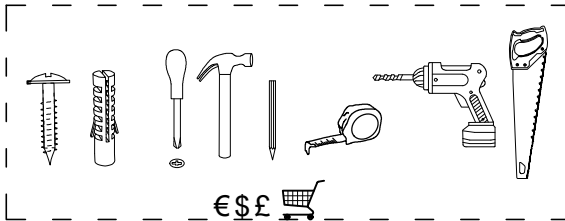
Sx2



Tx2



Ux3

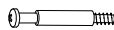


mm  
inch

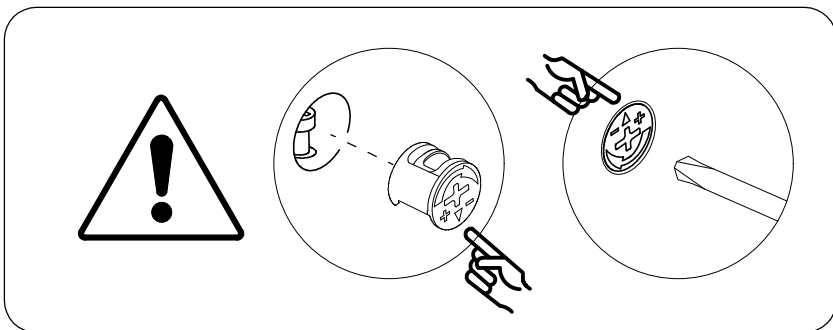
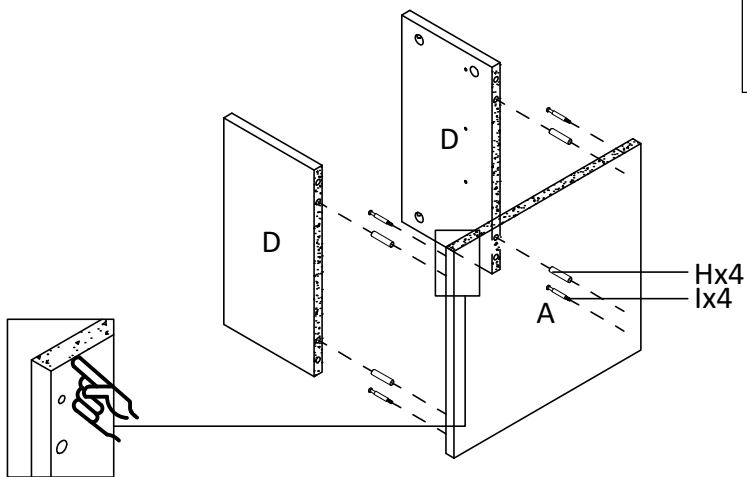
x2

①

Hx4



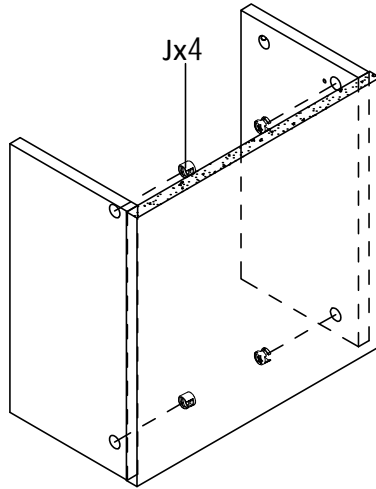
lx4



Jx4

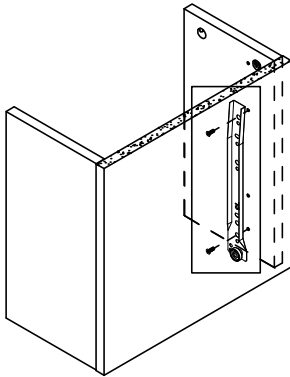


②



Jx4

③



Ox2

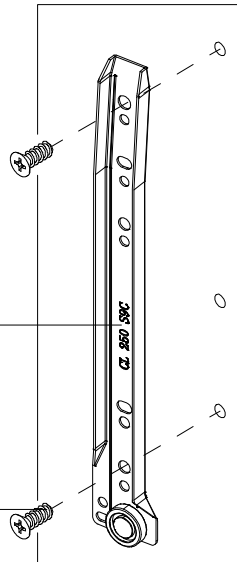


CLx1

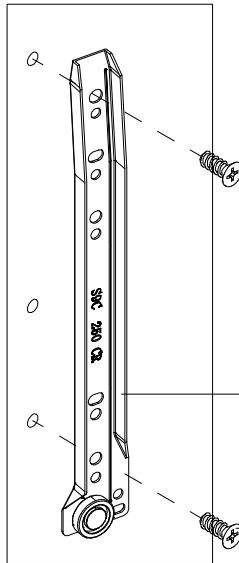
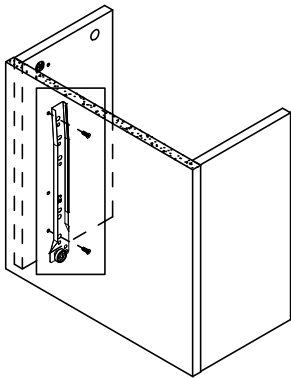


CLx1

Ox2



4



Ox2



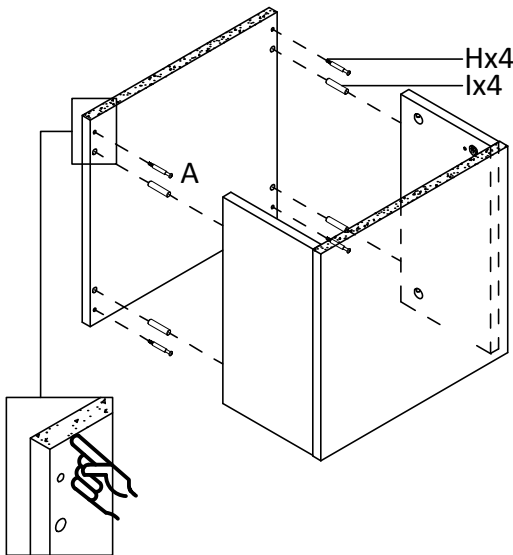
CRx1



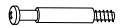
CRx1

Ox2

5



Hx4

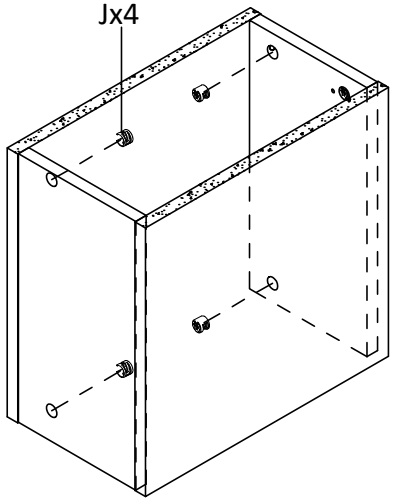


Ix4



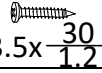
6

Jx4

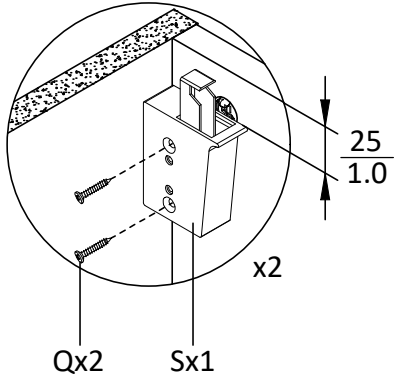
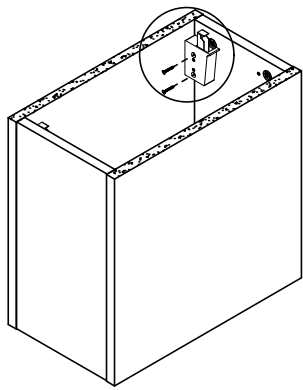


7

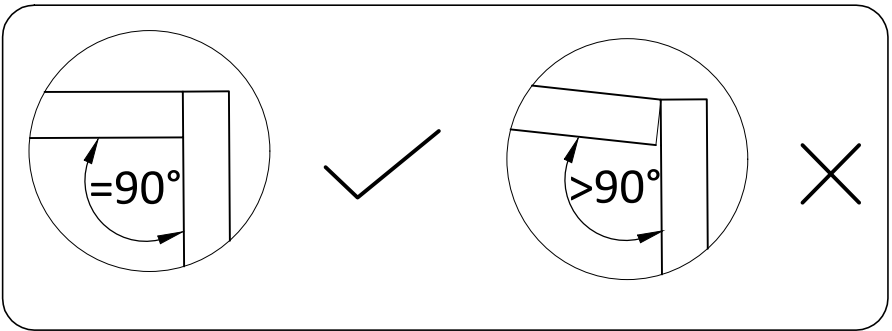
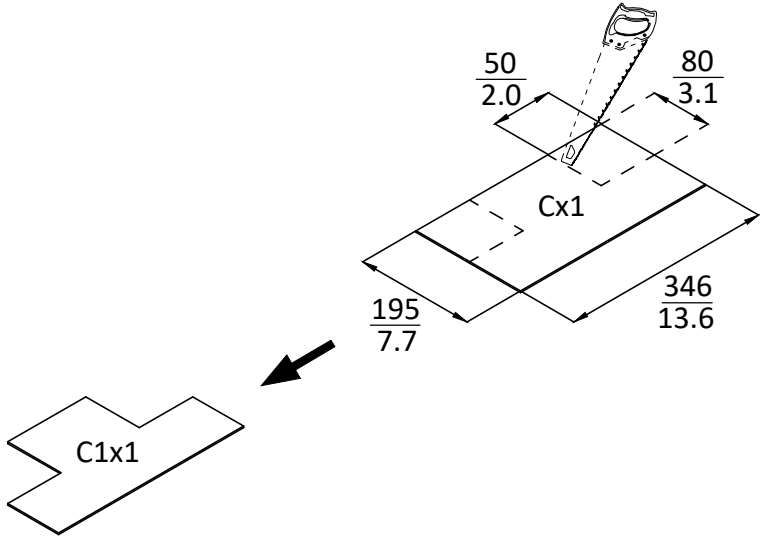
Qx4



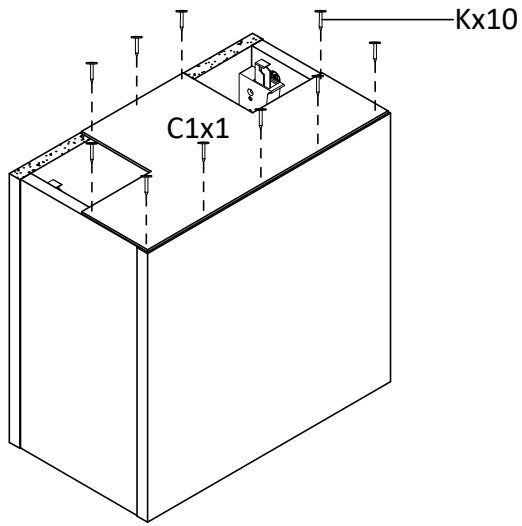
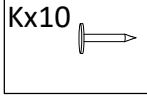
Sx2



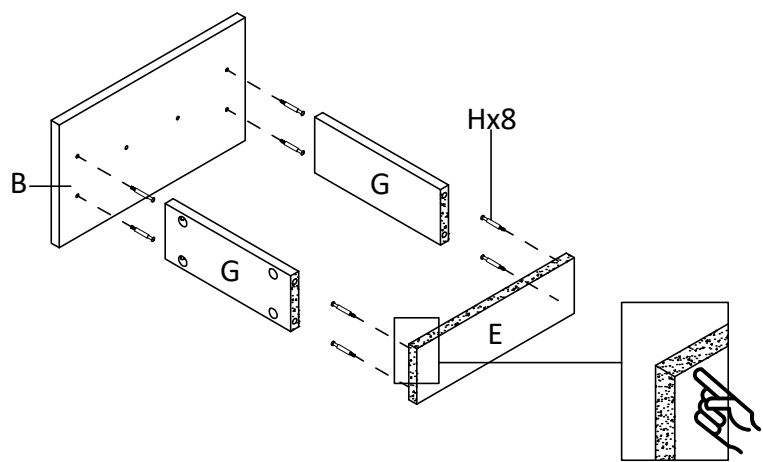
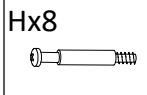
⑧



9

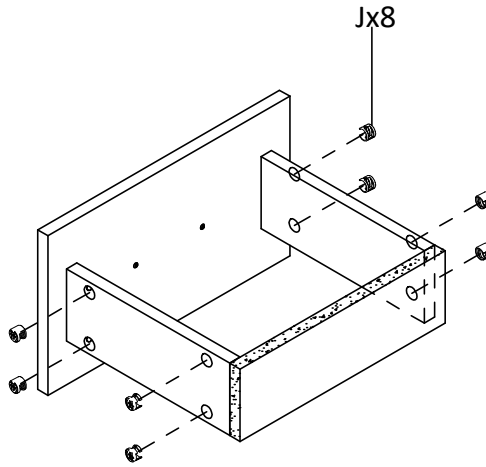


10



11

Jx8

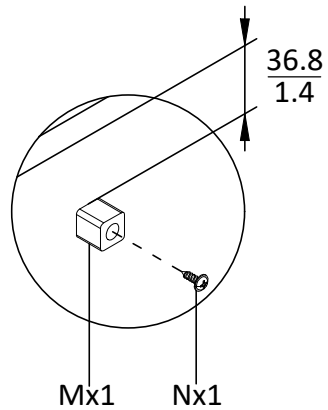
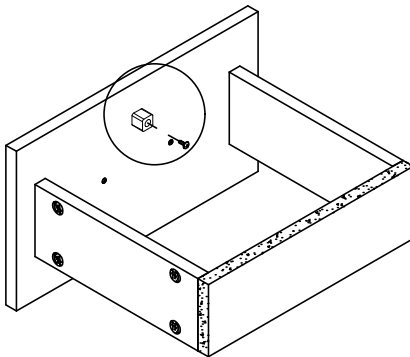


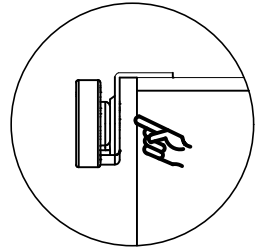
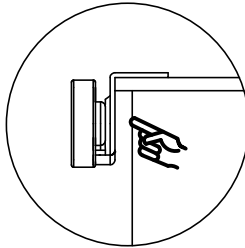
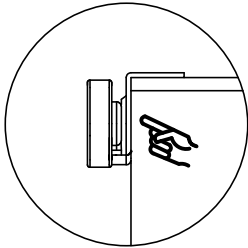
12

Mx1



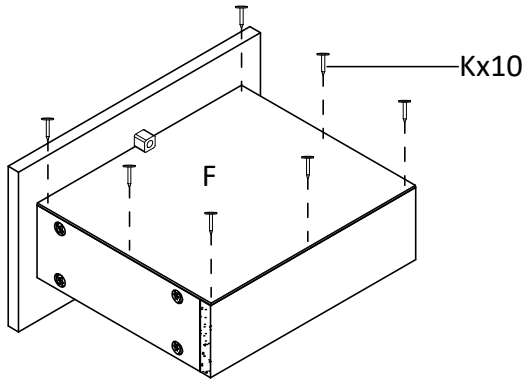
Nx1

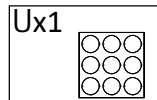
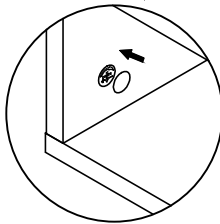
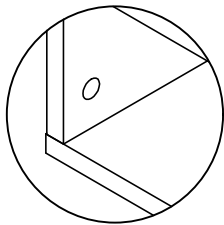
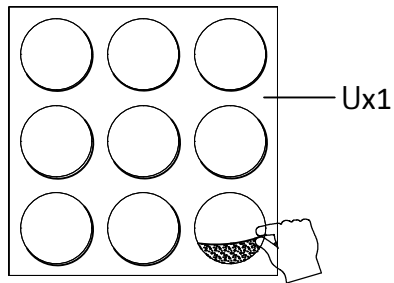
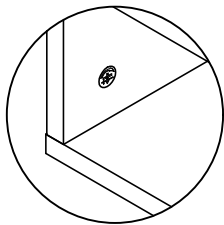




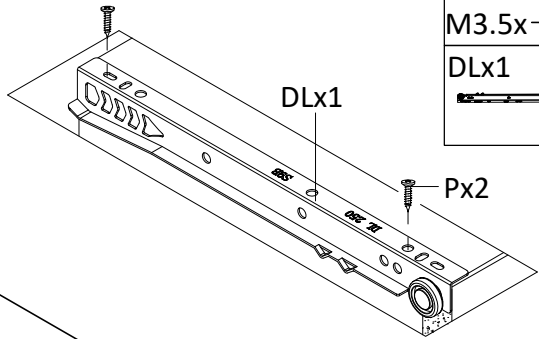
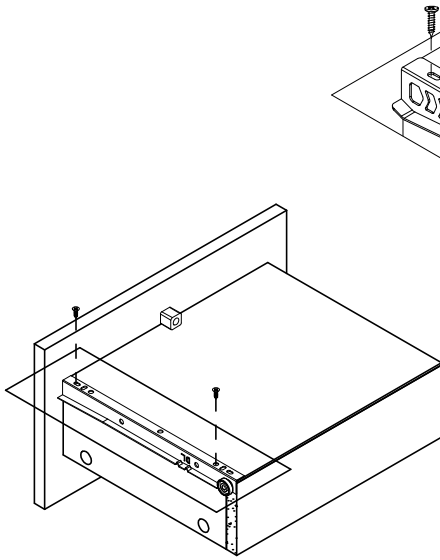
13



Kx10



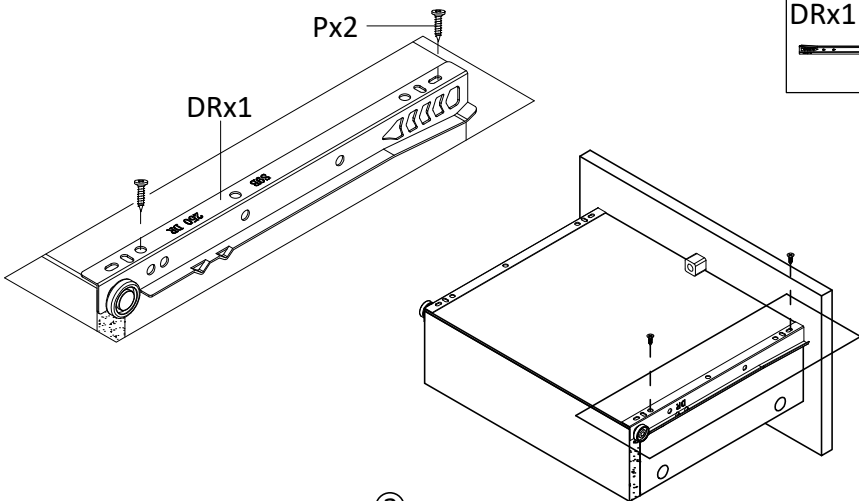




14



Px2   
M3.5x  $\frac{12}{0.5}$   
DLx1 

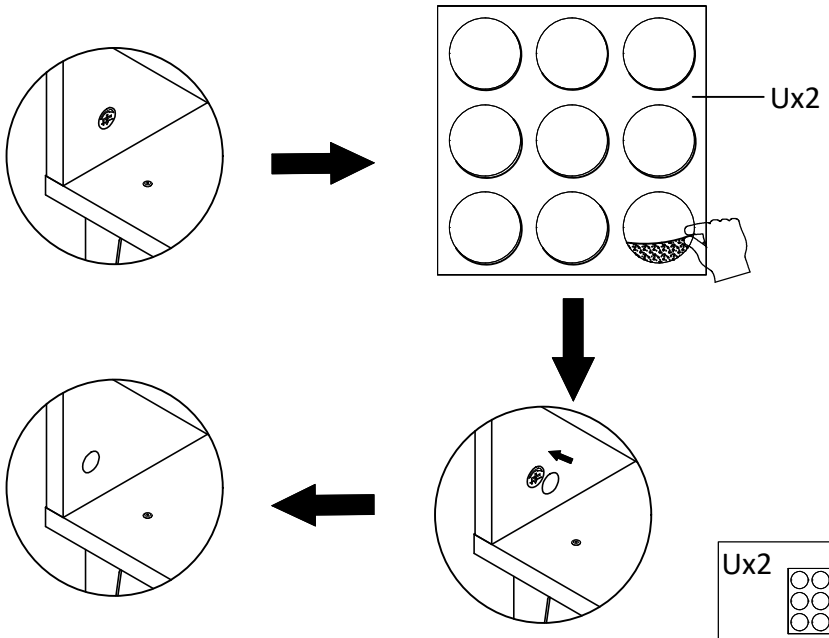
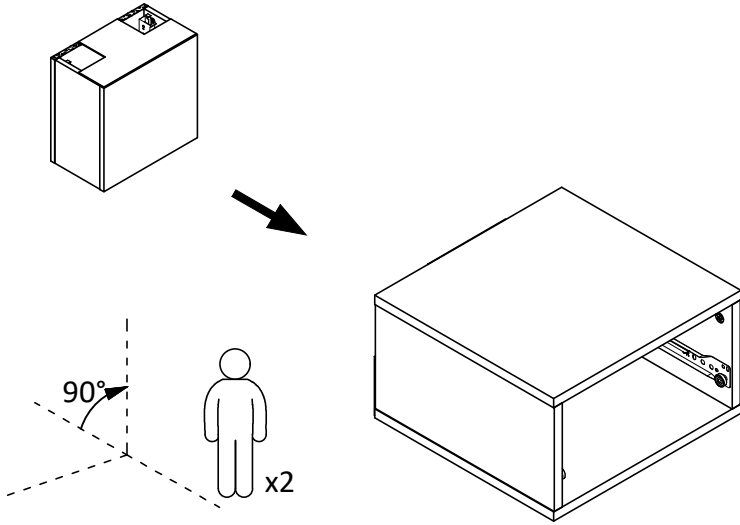
15



Px2   
M3.5x  $\frac{12}{0.5}$   
DRx1 

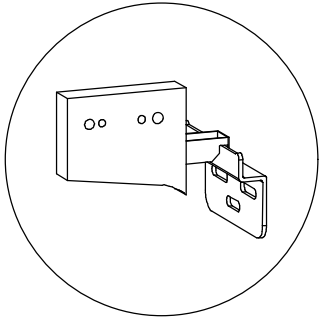
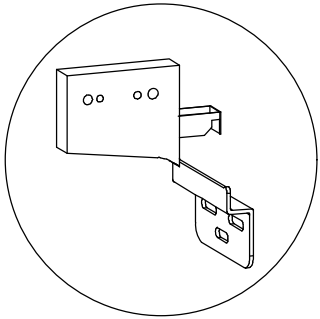
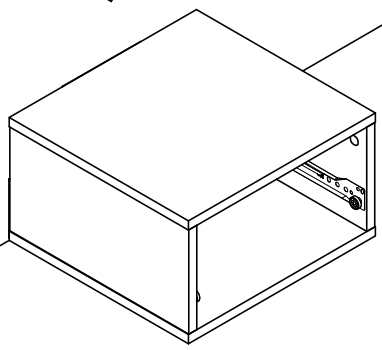
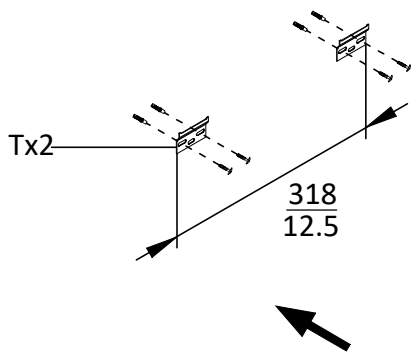
a

16

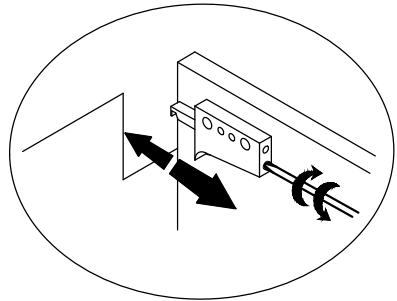
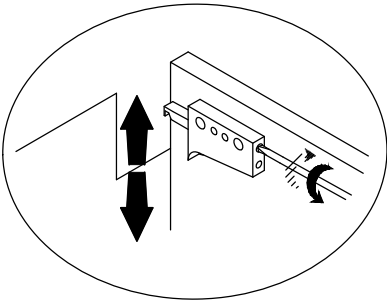
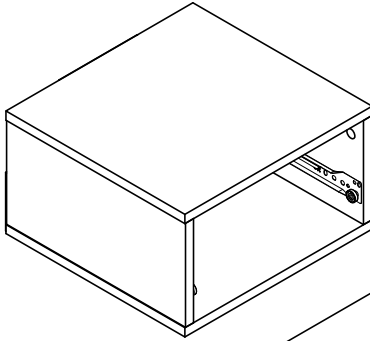


17

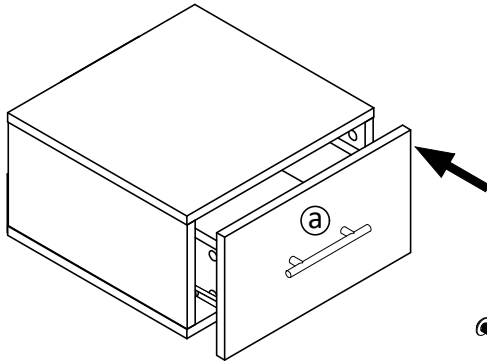
Tx2



18



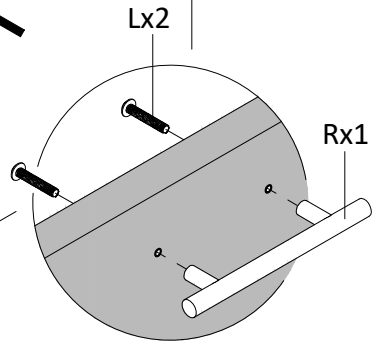
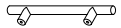
19



Lx2



Rx1



20

