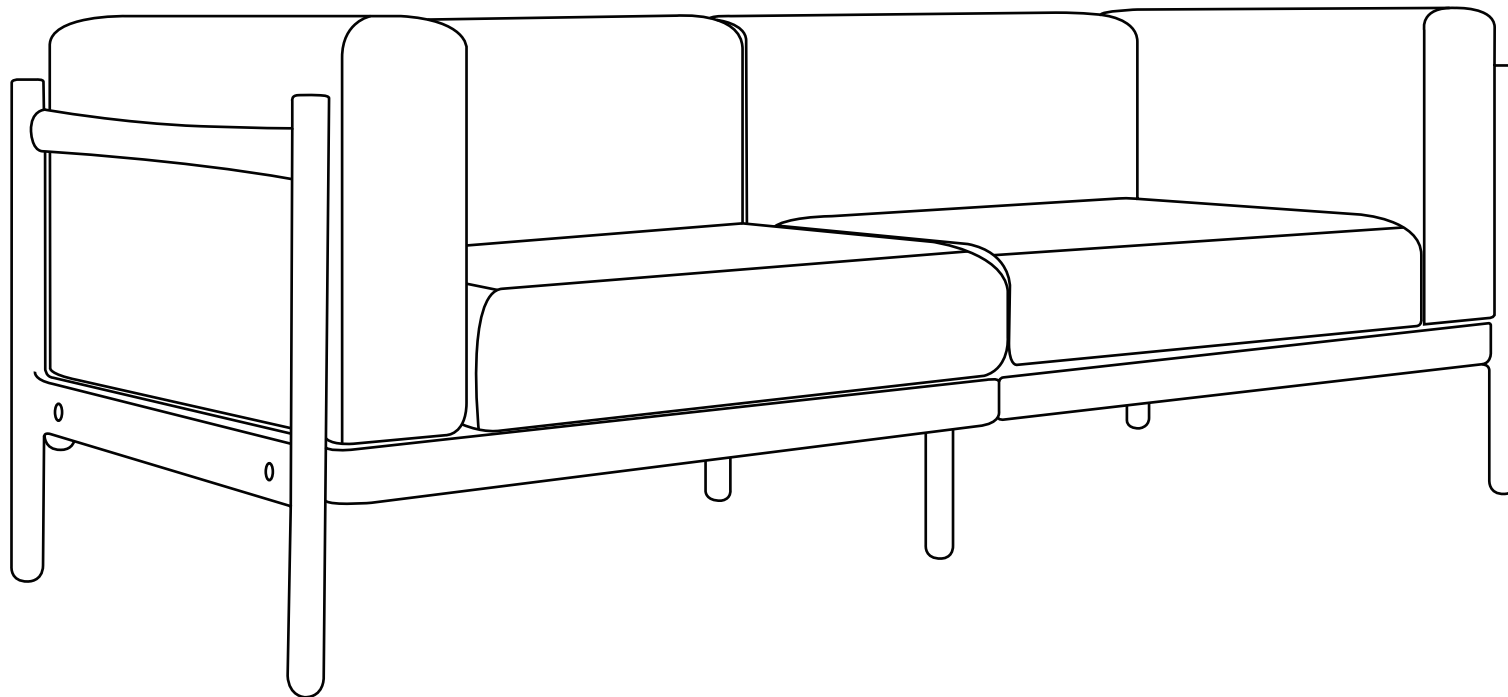





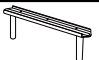



**ASSEMBLY INSTRUCTIONS**  
SURI OUTDOOR 2-SEAT SOFA TAUPE











THANK YOU FOR YOUR PURCHASE!

# PARTS AND HARDWARE.

## PARTS LIST

No.	DESCRIPTION	IMAGE	QTY
P1	SEAT		2
P2	BACK		2
P3	ARMREST		2
P4	CONNECTOR		1
P5	BACK CUSHION		2
P6	SEAT CUSHION		2
P7	ARMREST CUSHION		2

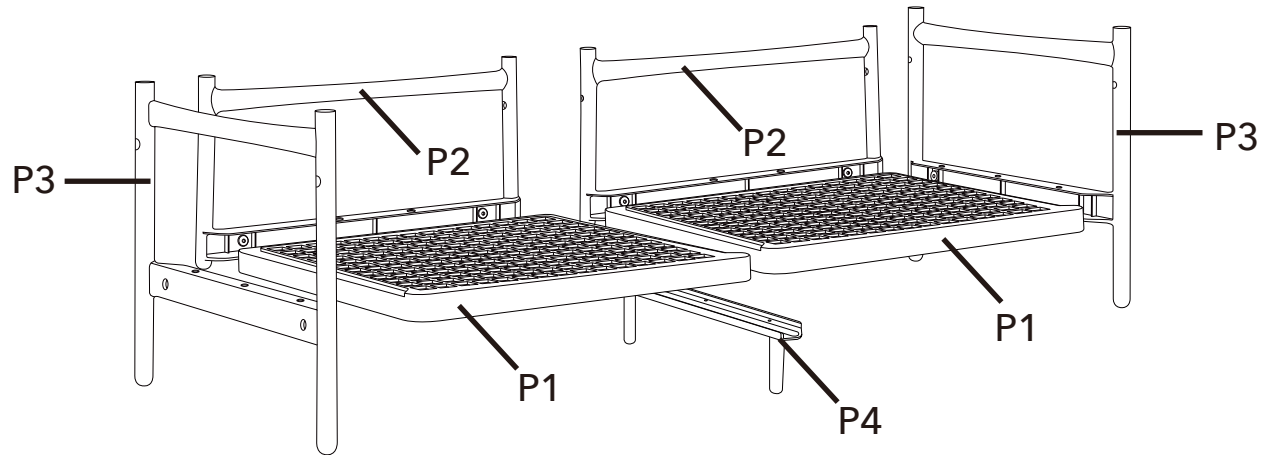
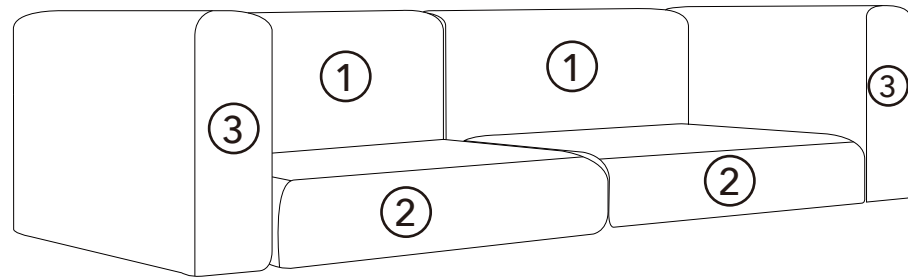
## HARDWARE LIST

No.	DESCRIPTION	IMAGE	QTY
H1	ALLEN KEY		1
H2	BOLT(6*40MM)		3
H3	BOLT(6*65MM)		24
H4	FLAT WASHER (6*14*1MM)		54
H5	NUT(M6)		27
H6	SPANNER(M6)		1
H7	STOPPLE(13MM)		2
H8	STOPPLE(18MM)		8

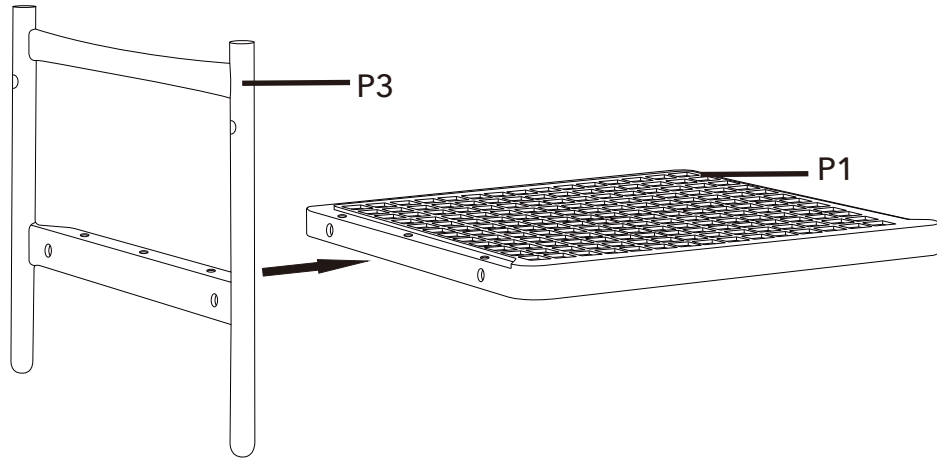
## NOTES.

Thank you for purchasing this quality product!  
Be sure to check all packing material carefully for small part that may have come loose inside the carton during shipping.

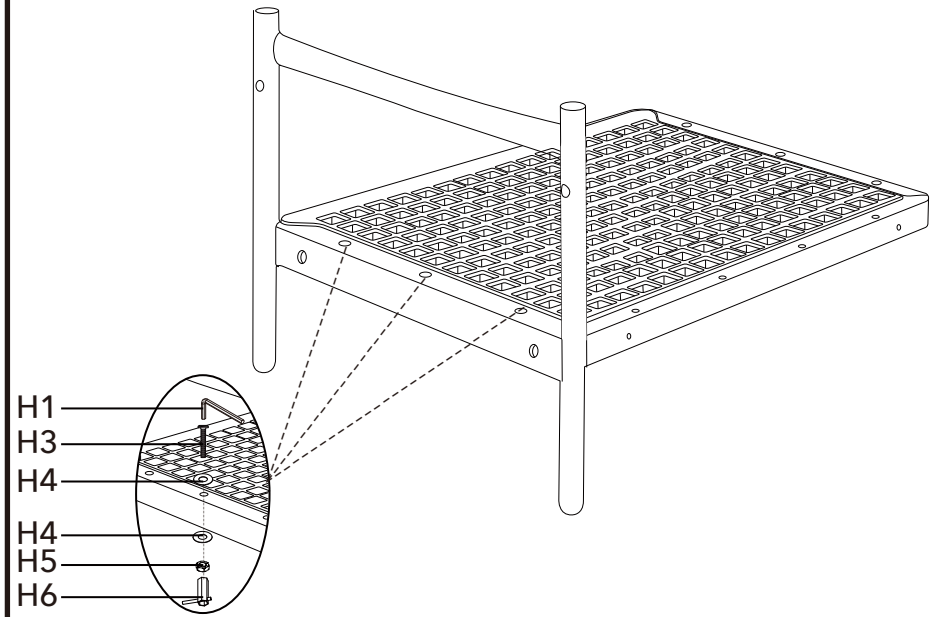
**CAUTION:** The item is heavy, assembly should be performed by two people.



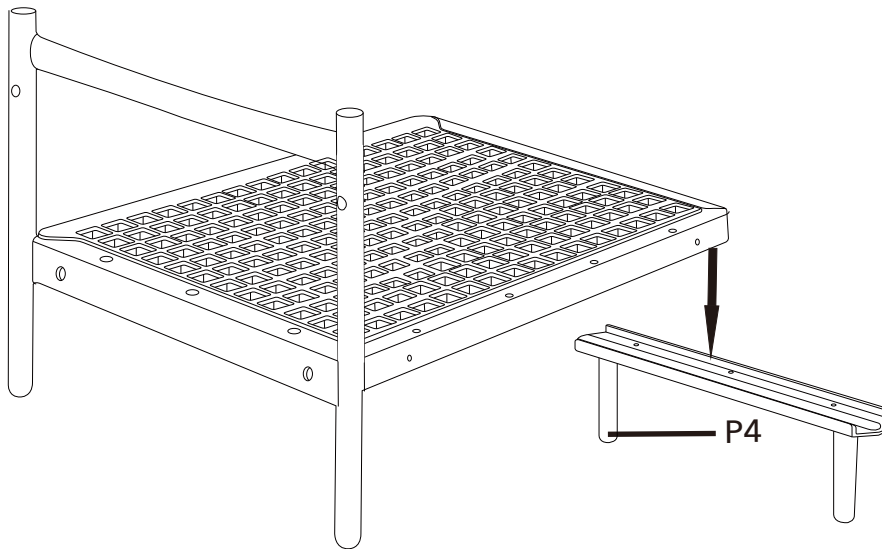
### STEP 1.



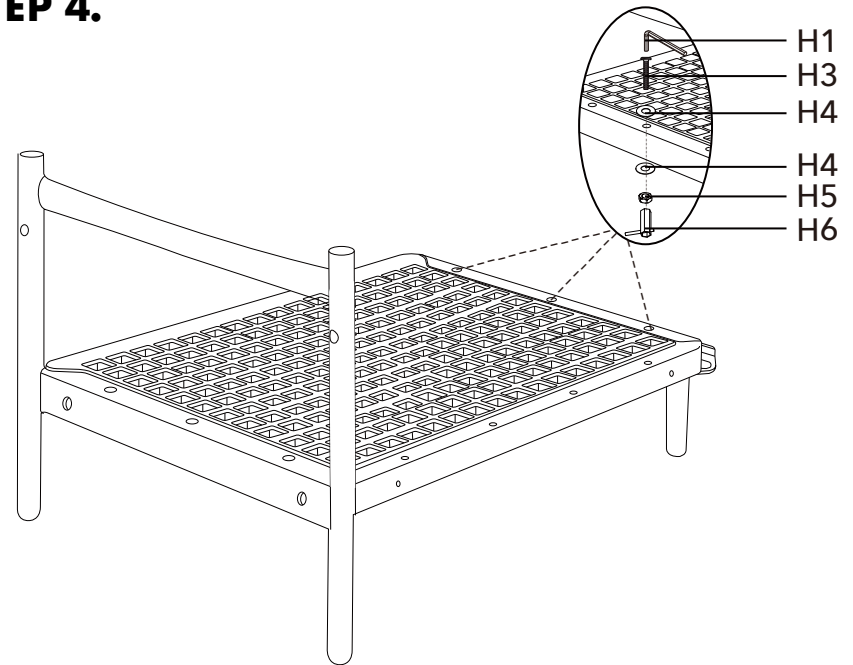
### STEP 2.



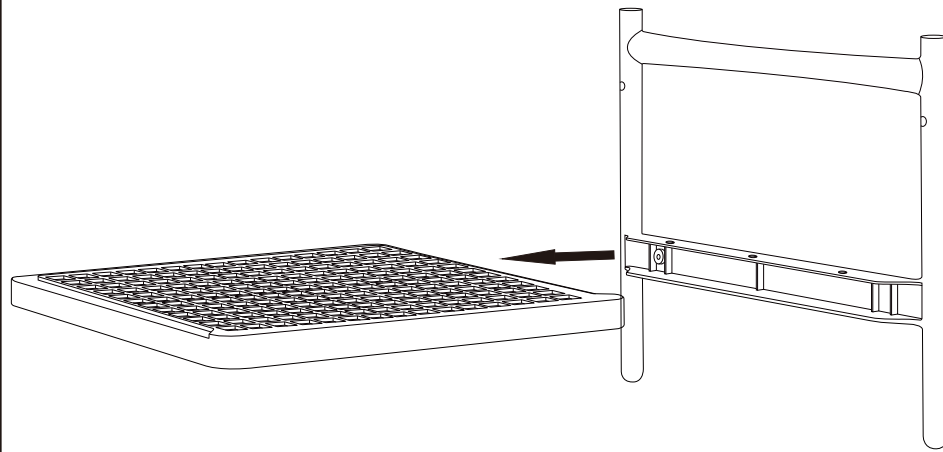
### STEP 3.



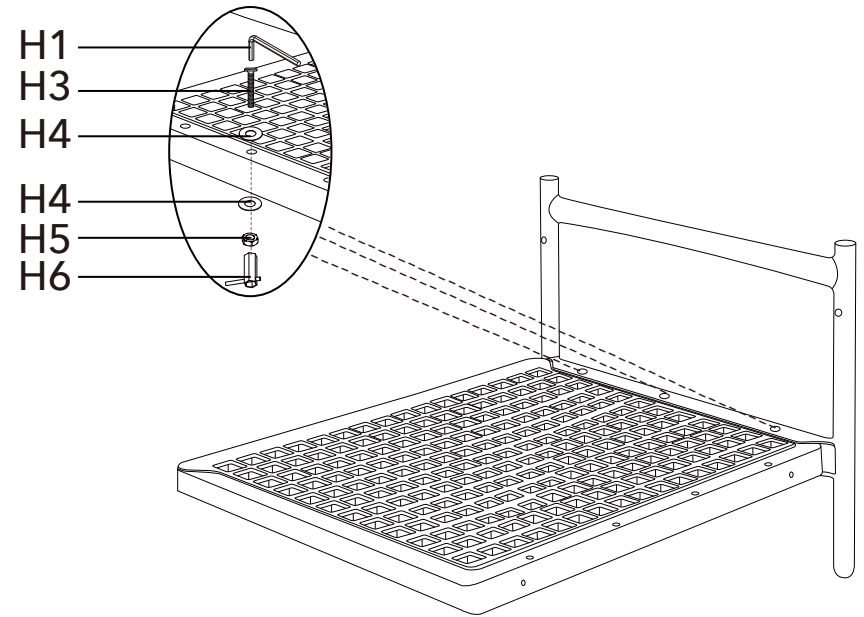
### STEP 4.



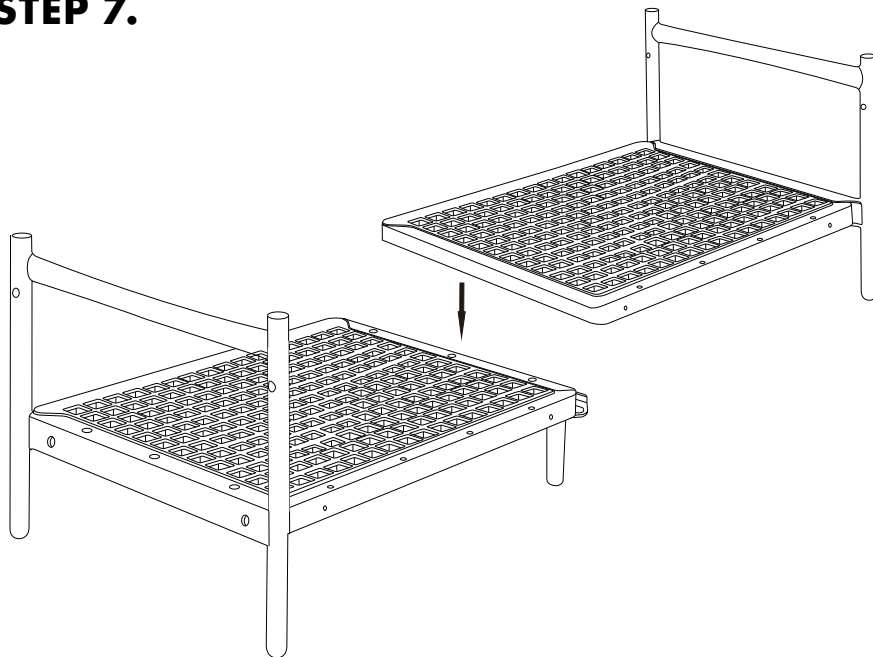
### STEP 5.



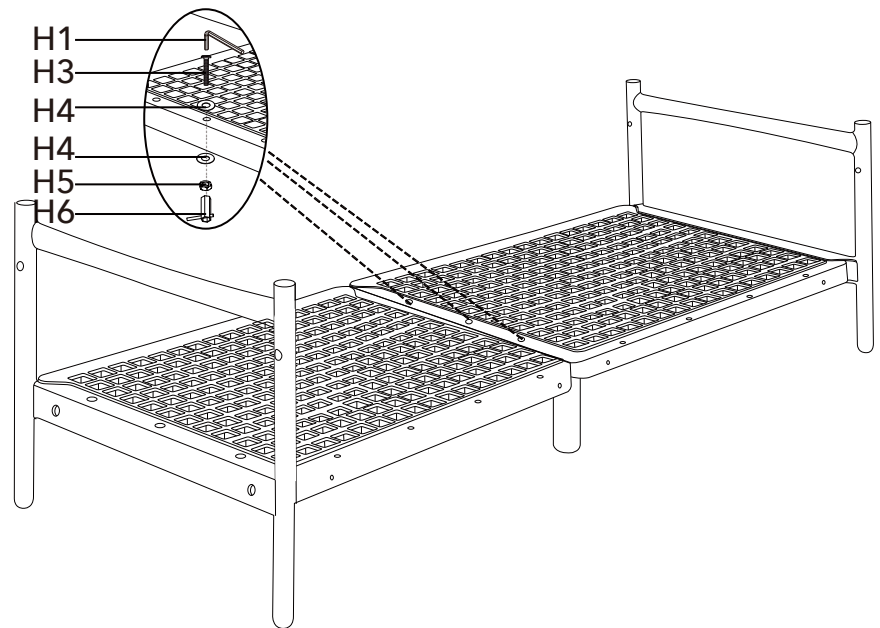
### STEP 6.



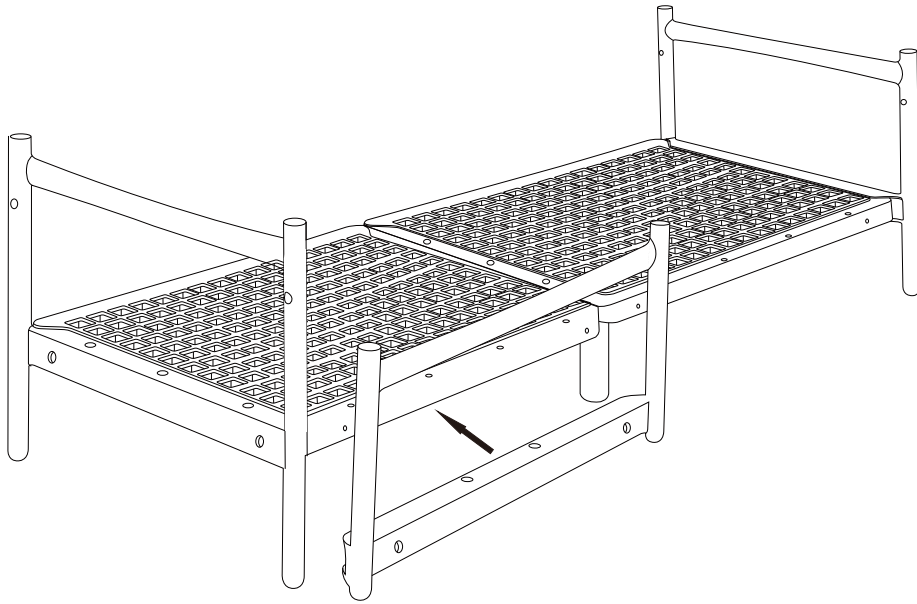
### STEP 7.



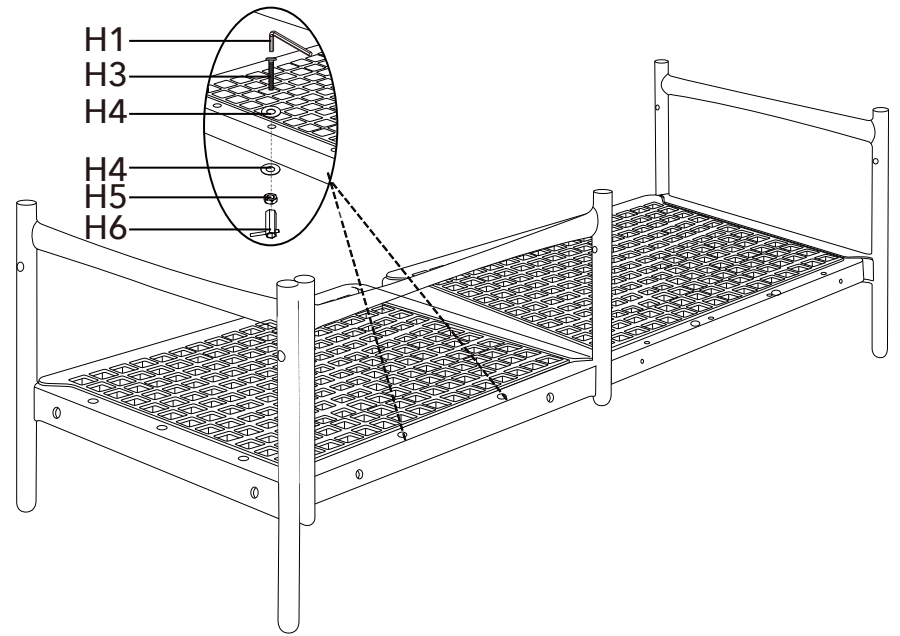
### STEP 8.



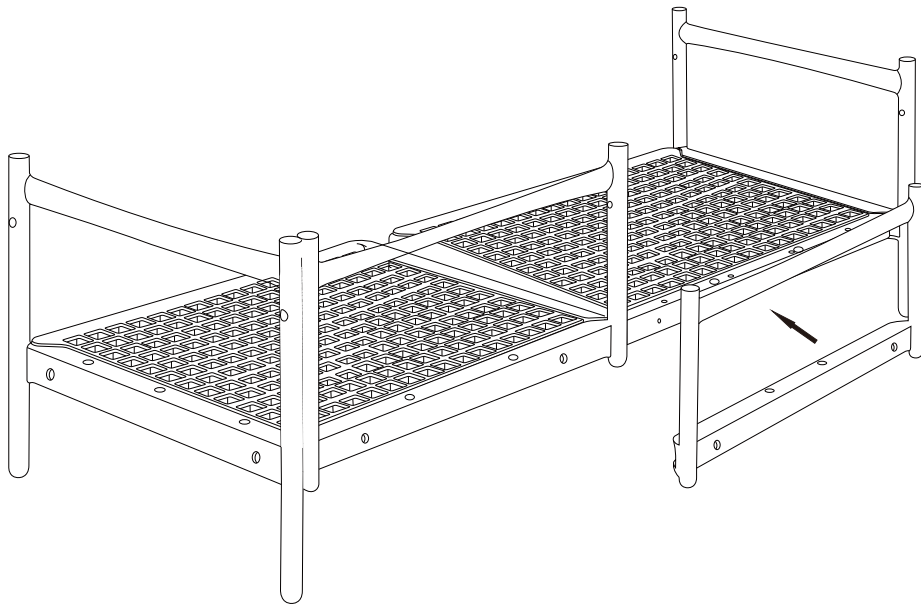
### STEP 9.



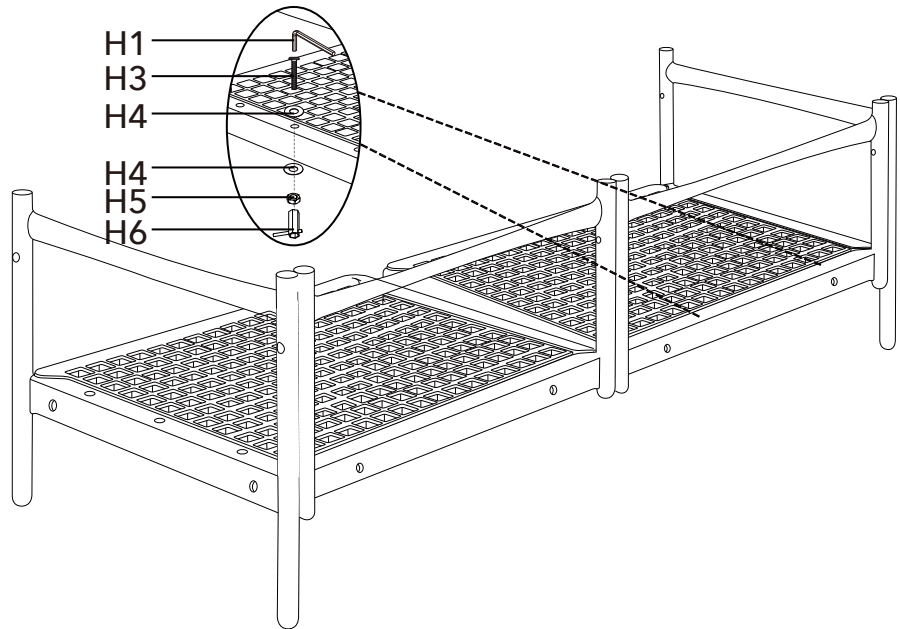
### STEP 10 .



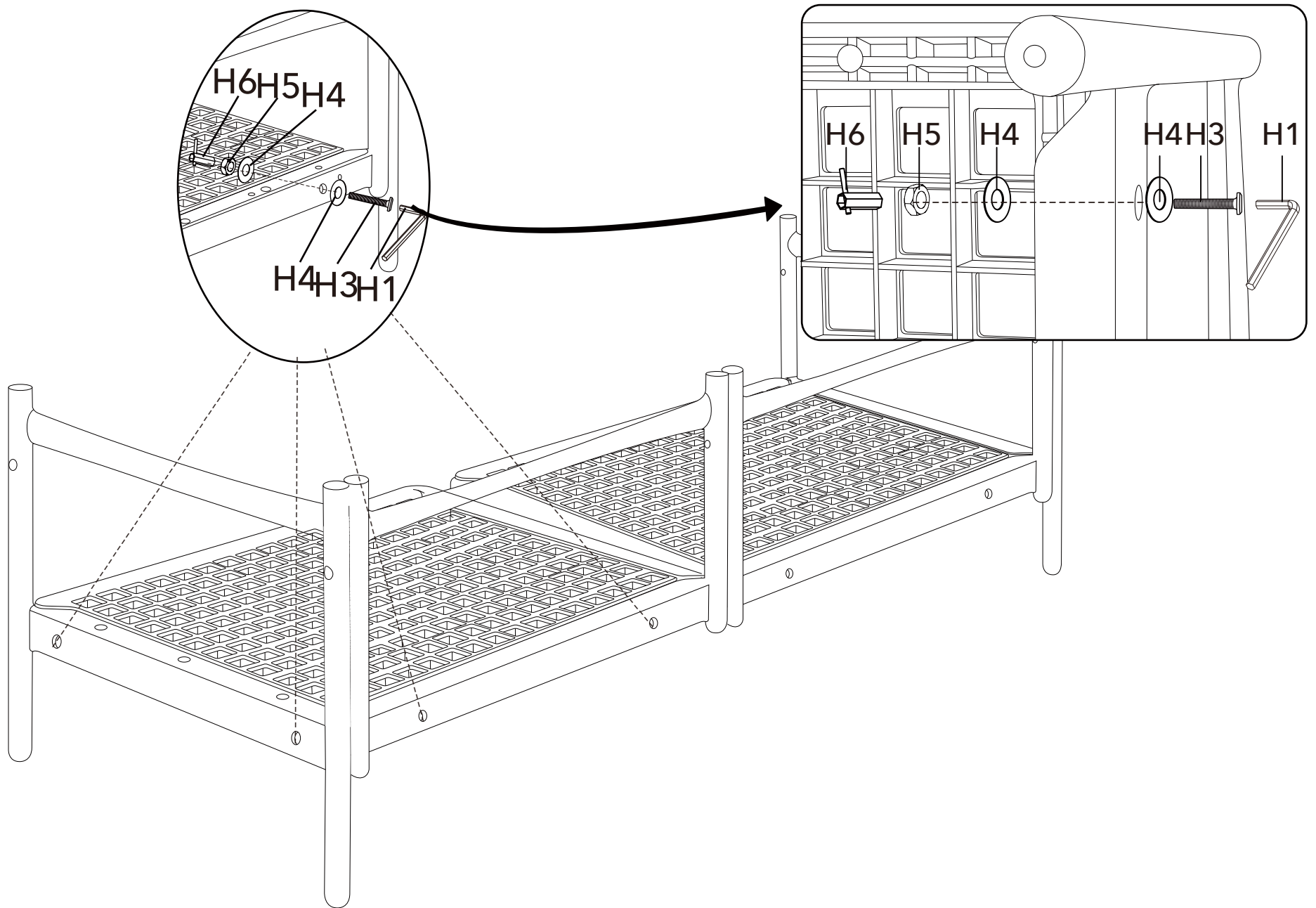
### STEP 11.



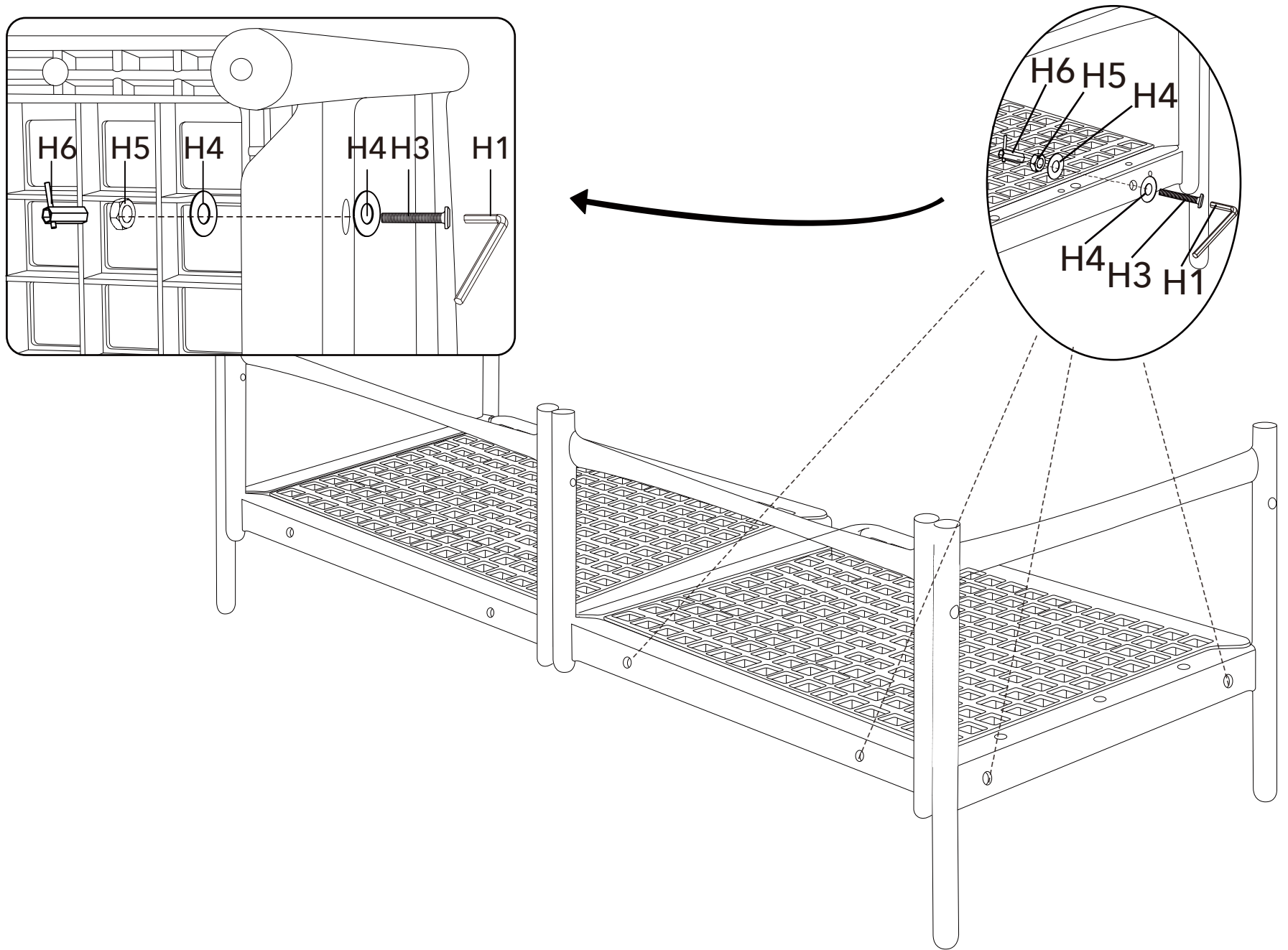
### STEP 12.



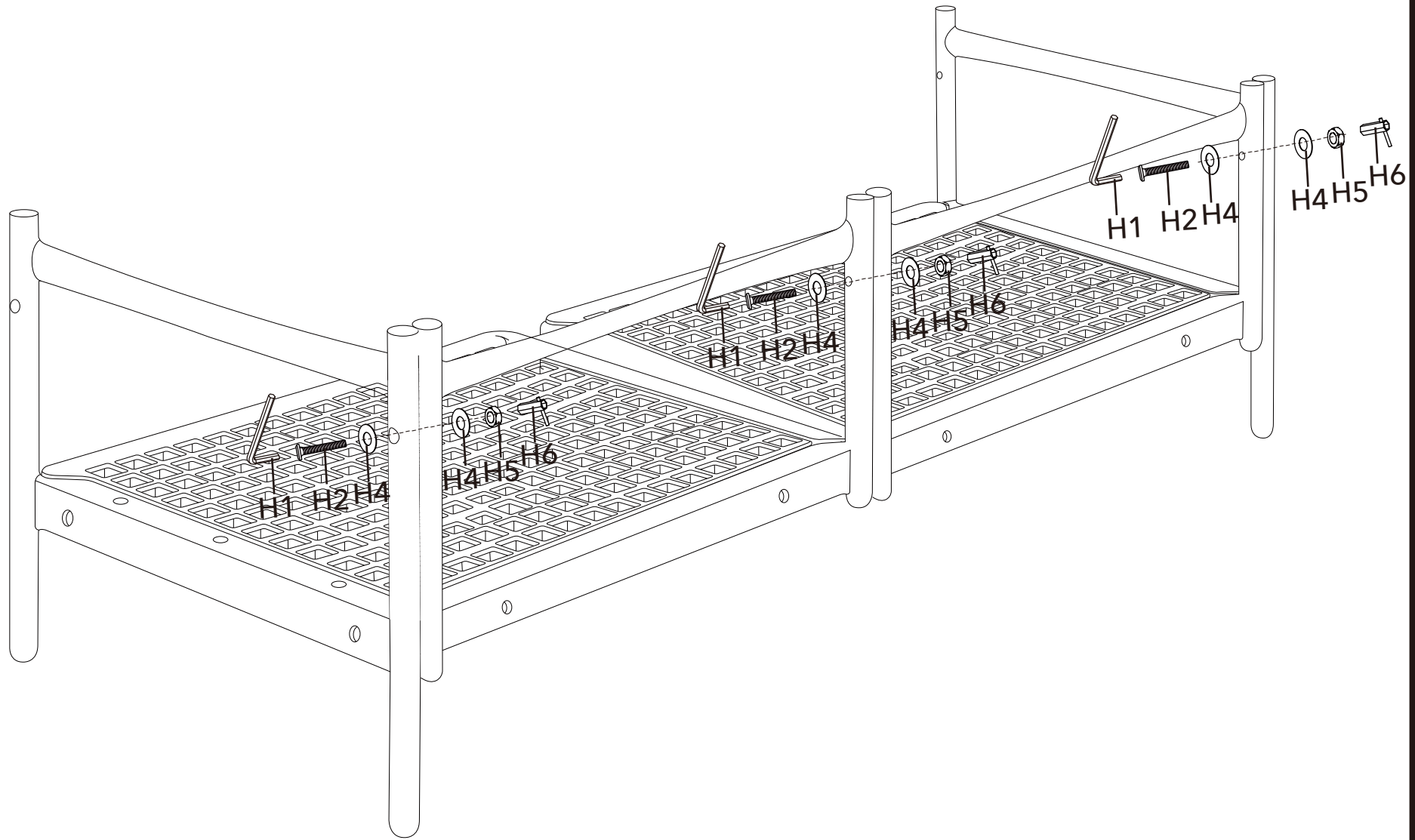
**STEP 13.**



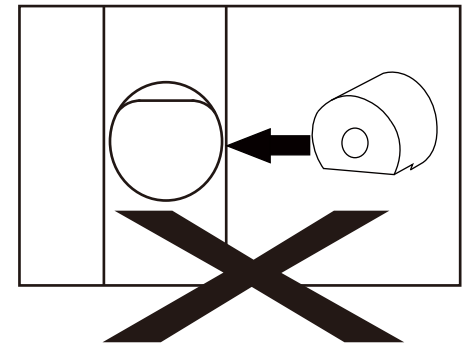
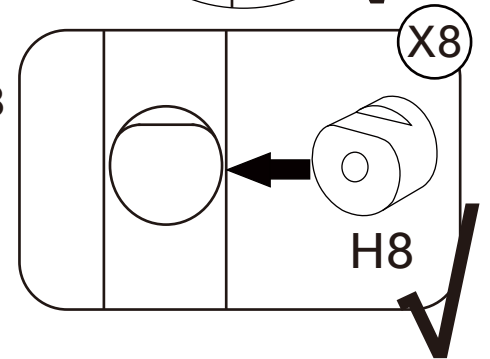
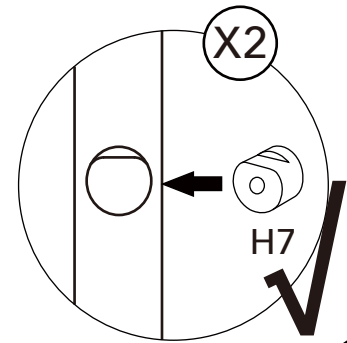
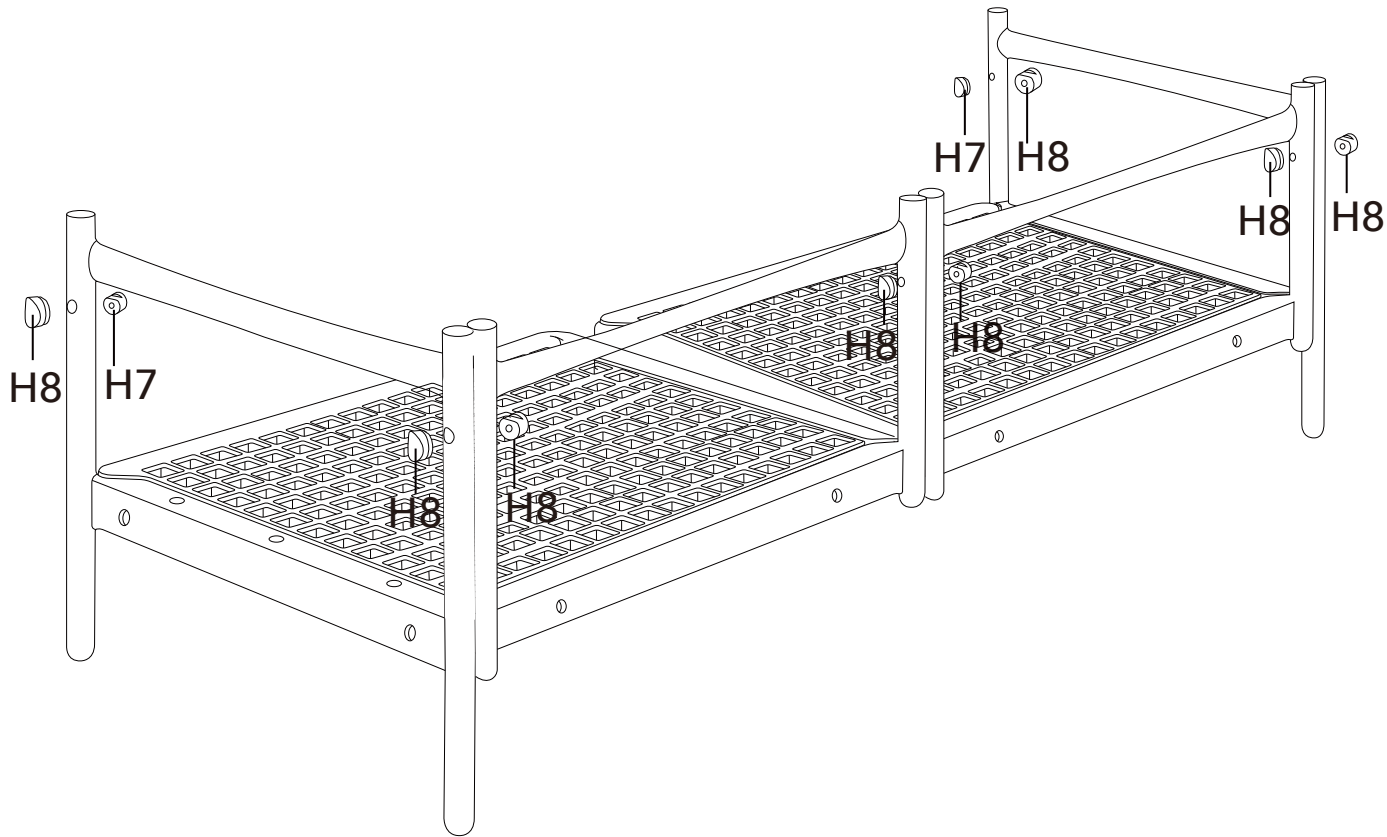
**STEP 14.**



# STEP 15.



# STEP 16.



# STEP 17.

