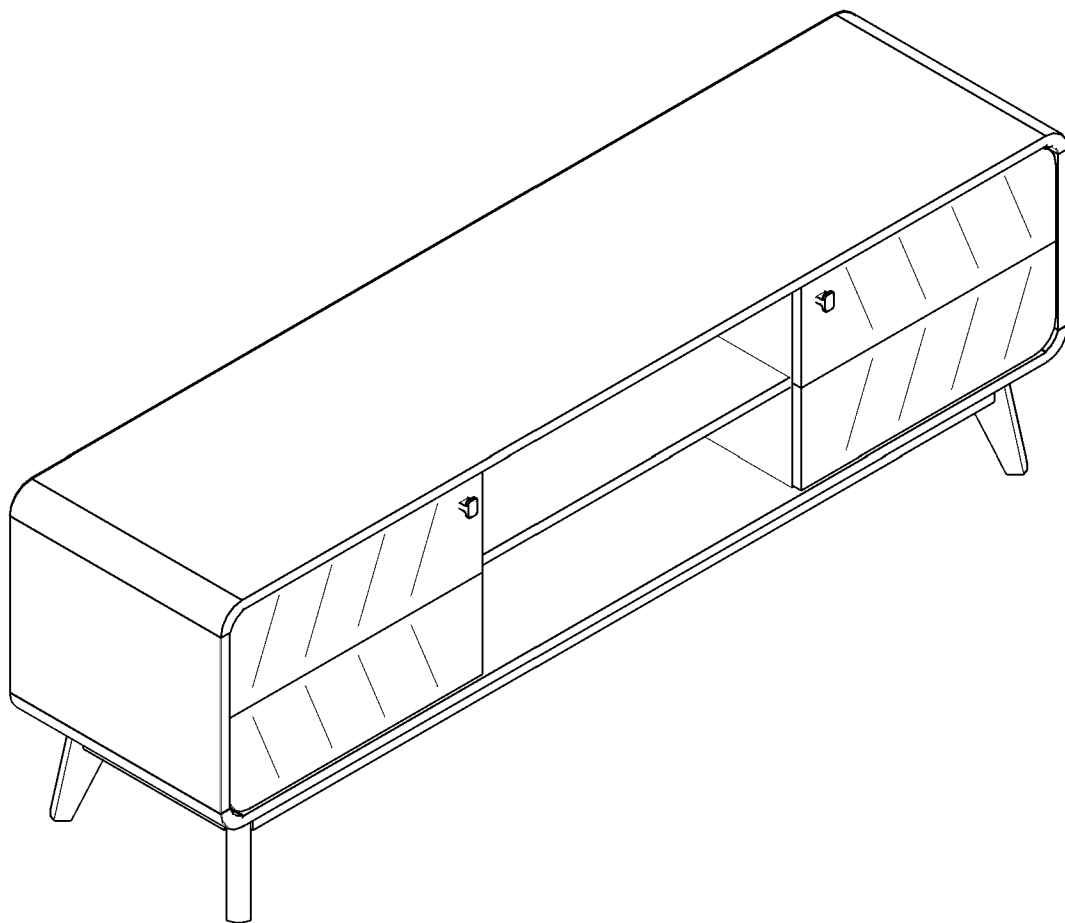


LuxenHöme

Columbia Credenza TV Stand

SKU WHIF2249



ASSEMBLY INSTRUCTIONS



60 min. assembly
2 person

* The estimated assembly time may vary depending on the individual.

Hey, there

Now is assembly time!

Deeeeeeep breathe.... and again....
Tools ready,
Easy peasy!

Estimated



60 min. assembly
2 person

Tools Required

- Allen Wrench (included)
- Phillips screwdriver (not included)
- Hammer (not included)

important: Cautious when you use power tools

Need Help?

Call us at +1 909 548 6688
Email customerservice@luxenhome.com
Submit a ticket on www.luxenhome.com/help

Thank you for purchasing this LuxenHome product. This product has been manufactured with the highest standards of safety and quality.

PLEASE READ ALL INSTRUCTIONS CAREFULLY BEFORE ASSEMBLY.

Unpack all parts from the packaging inside the carton to ensure there are no missing or damaged parts. Lay out all the cabinet parts on a clean, flat, and soft surface to prevent scratches. Refer to the steps provided as assembling guide. Do not attempt to assemble or use the product if any parts are missing or damaged. Please save this manual for future reference.

REMINDERS

SAFE USAGE IS KEY

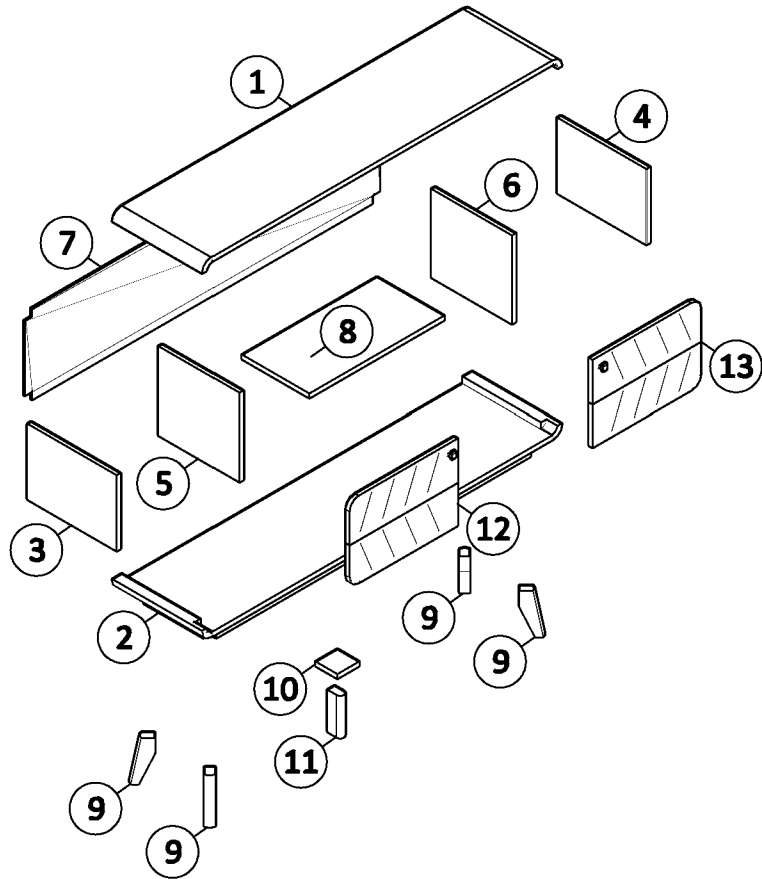
Your well-being is our top priority when you use our product. Please prioritize your safety by diligently following the assembly guidelines and inspecting the product carefully both when it arrives and before each use. Please be aware that LuxenHome and Winsome House, Inc. cannot be held liable for any injuries or fatalities that occur due to not adhering to the provided instructions or misuse of the product.

DO NOT MODIFY

Our products undergo rigorous testing to ensure they meet established safety standards before being released for sale. Altering the product in any way can lead to serious safety concerns, for which LuxenHome cannot assume responsibility.

Furniture components:

- ① Top Panel x1
- ② Bottom Panel x1
- ③ Side Panel (L) x1
- ④ Side Panel (R) x1
- ⑤ Center Panel (L) x1
- ⑥ Center Panel (R) x1
- ⑦ Back Mdf Board x1
- ⑧ Shelf Panel x1
- ⑨ Long Panel x4
- ⑩ Leg Support Panel (C) x1
- ⑪ Leg Panel (C) x1
- ⑫ Door Panel (L) x1
- ⑬ Door Panel (R) x1



Provided hardware:



Ⓐ Cam Pin x16



Ⓑ Cam Lock x16



Ⓒ Wood Dowel
M8x30MM x12



Ⓓ Iron Shelf
Support x4



Ⓔ Screw
M4x28MM x4



Ⓕ Screw M7x50MM x10



Ⓖ1 Pvc Handle x2



Ⓖ2 Screw
M4x28MM x2



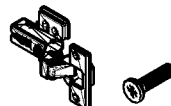
Ⓕ White Leg Pin x5



Ⓖ Screw
M3.5x16MM x6



Ⓖ Allen Key x1



SH
78 Hydraulic Hinges x4
Screw M3.5x16MM x24

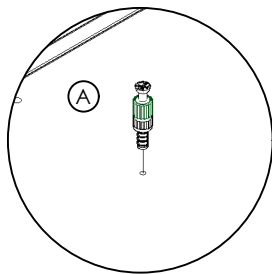
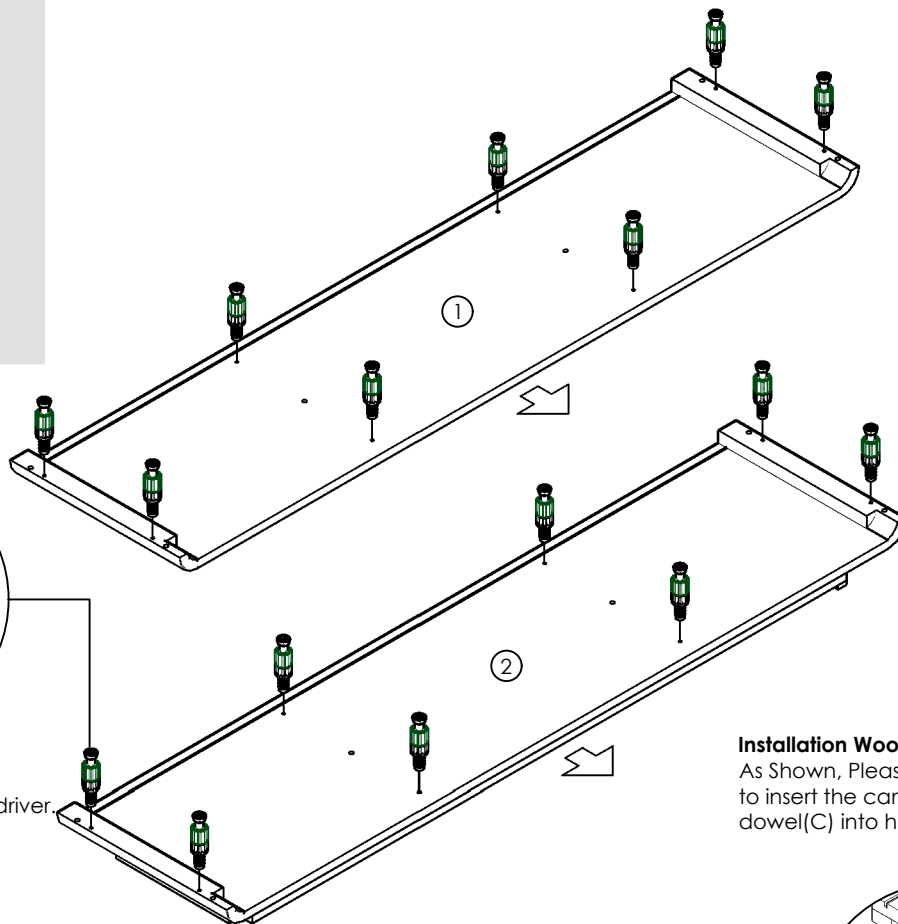
Step 1

HARDWARE :

- (A) Cam Pin x16
- (B) Cam Lock x16
- (C) Wood Dowel
M8x30MM x12
- (D) Iron Shelf Support x4

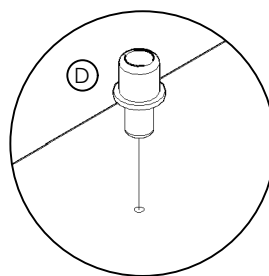
COMPONENTS :

- (1) Top Panel x1
- (2) Bottom Panel x1
- (3) Side Panel (L) x1
- (4) Side Panel (R) x1
- (5) Center Panel (L) x1
- (6) Center Panel (R) x1

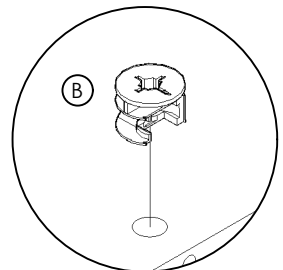
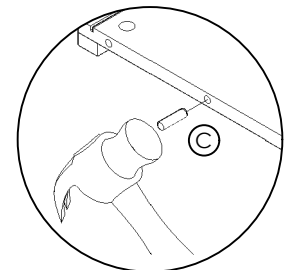
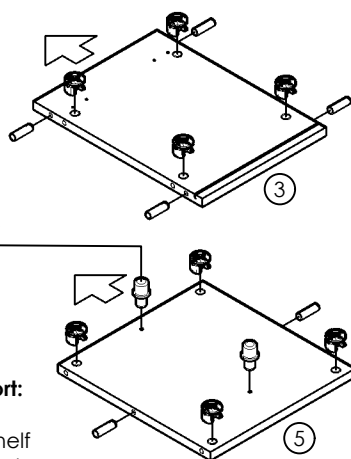


Installation Cam Pin:
Please insert the screw on panel using a screwdriver.

Installation Wood Dowel:
As Shown, Please using the hammer to insert the cam lock(B) and wood dowel(C) into hole of panel.



Installation Iron Shelf Support:
As Shown, Please using the hammer to insert the iron shelf support(D) into hole of panel.



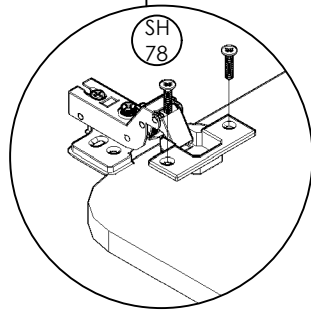
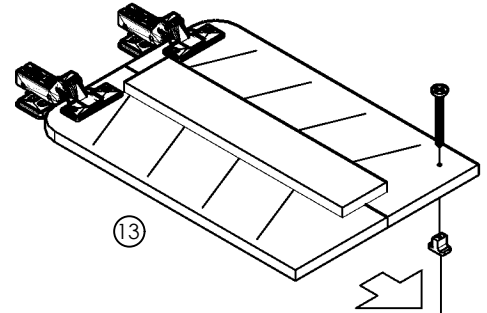
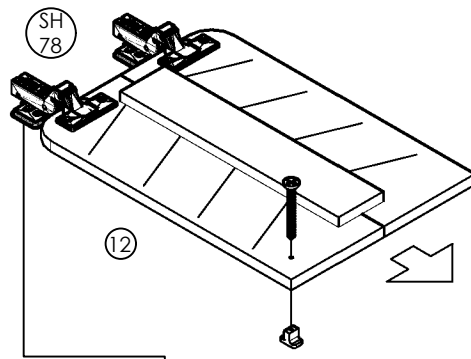
Step 2

HARDWARE :

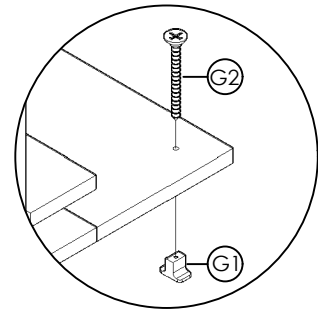
- (G1) Pvc Handle x2
- (G2) Screw M4x28MM x2
- (SH 78) Hydraulic Hinges 7/8" x4
- (78) Screw M3.5x16MM x8

COMPONENTS :

- (12) Door Panel (L) x1
- (13) Door Panel (R) x1



Installation Hinges:
Insert the screw into the hole of the Hinges with using the screwdriver.



Installation Screw:
Please insert the hardware (G1) with screw (G2) on panel using screwdriver.

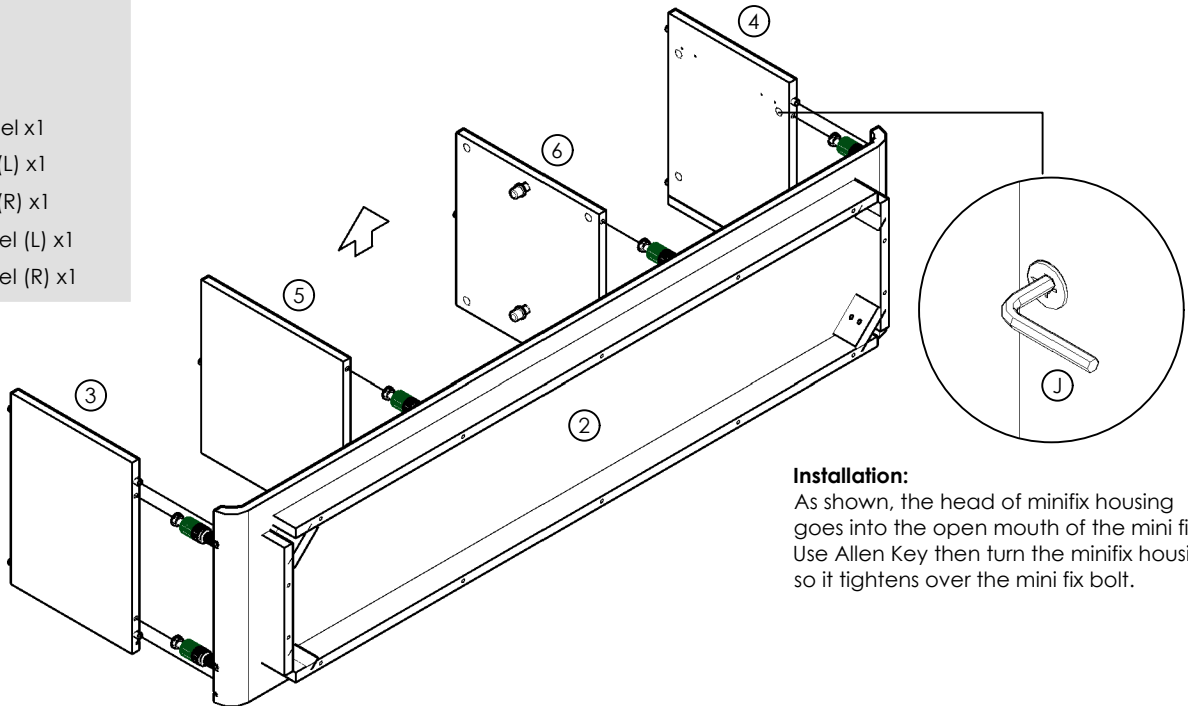
Step 3

HARDWARE :

- (J) Allen Key x1

COMPONENTS :

- (2) Bottom Panel x1
- (3) Side Panel (L) x1
- (4) Side Panel (R) x1
- (5) Center Panel (L) x1
- (6) Center Panel (R) x1

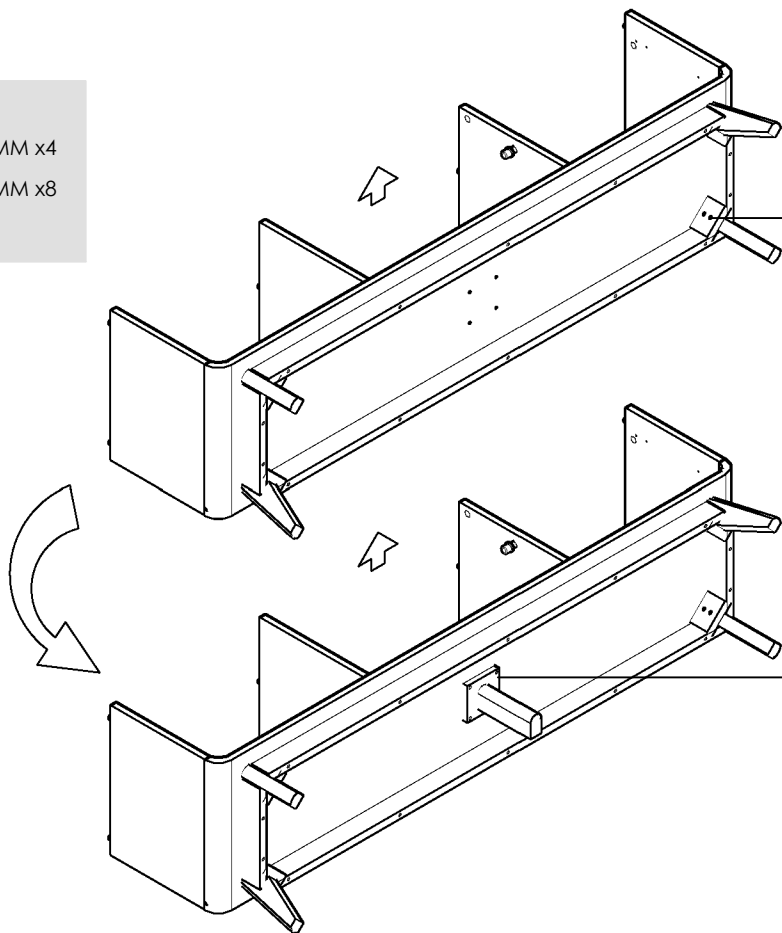


Installation:
As shown, the head of minifix housing goes into the open mouth of the mini fix bolt. Use Allen Key then turn the minifix housing so it tightens over the mini fix bolt.

Step 4

HARDWARE :

- (E) Screw M4x28MM x4
- (F) Screw M7x50MM x8
- (J) Allen Key x1



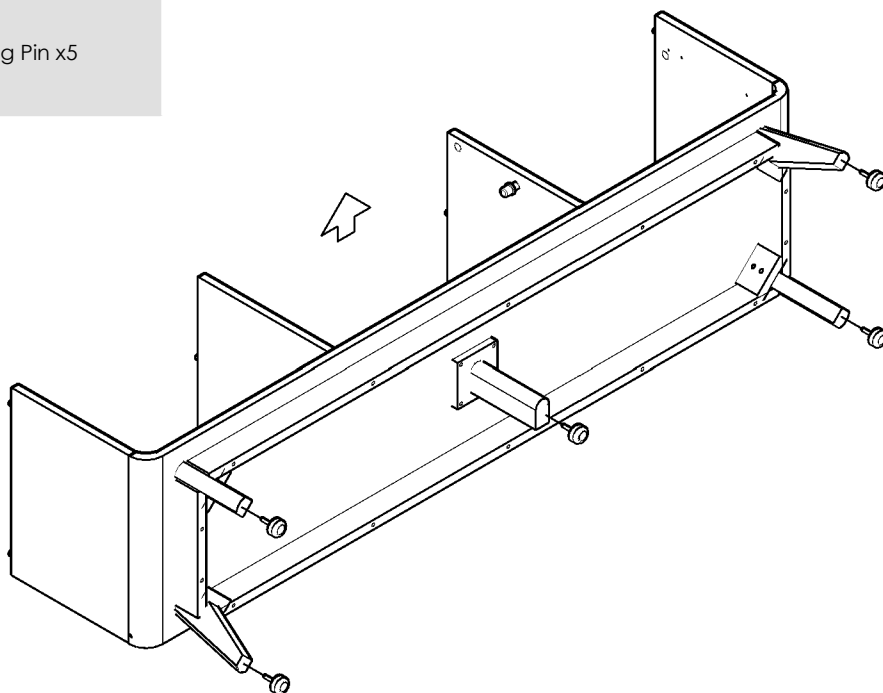
Installation Screw:
Please insert the screw (F)
on panel using a allen key.

Installation Screw:
Please insert the screw M4X28MM (E)
on panel using screwdriver.

Step 5

HARDWARE :

- (H) White Leg Pin x5

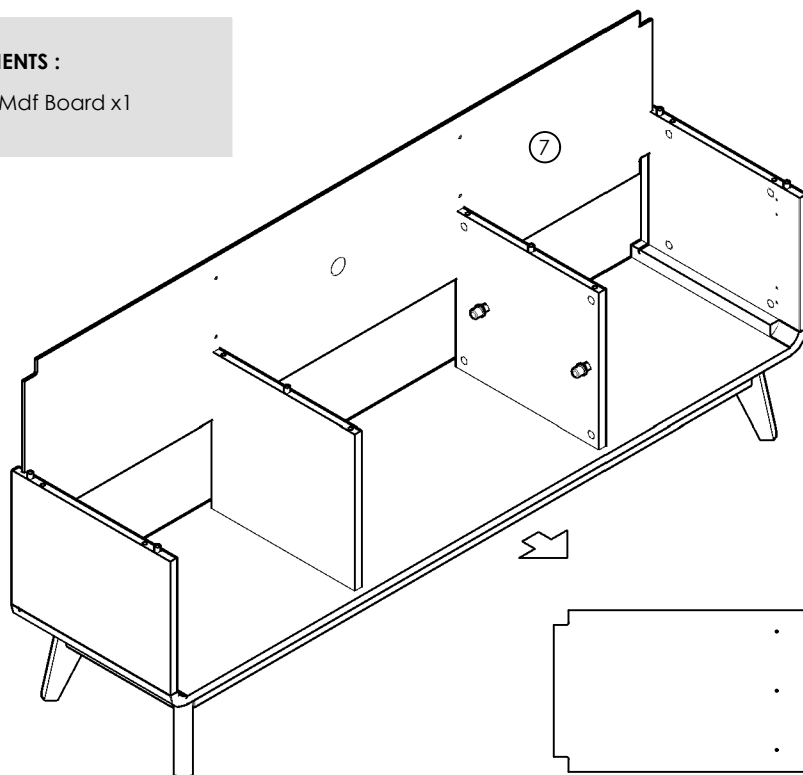


Insert White Leg Pin:
Press insert the white leg pin
on the leg panel with using
hammer.

Step 6

COMPONENTS :

- ⑦ Back Mdf Board x1



Installing the Back MDF Board:
Insert MDF Board: Slide the
MDF Board into the panel.

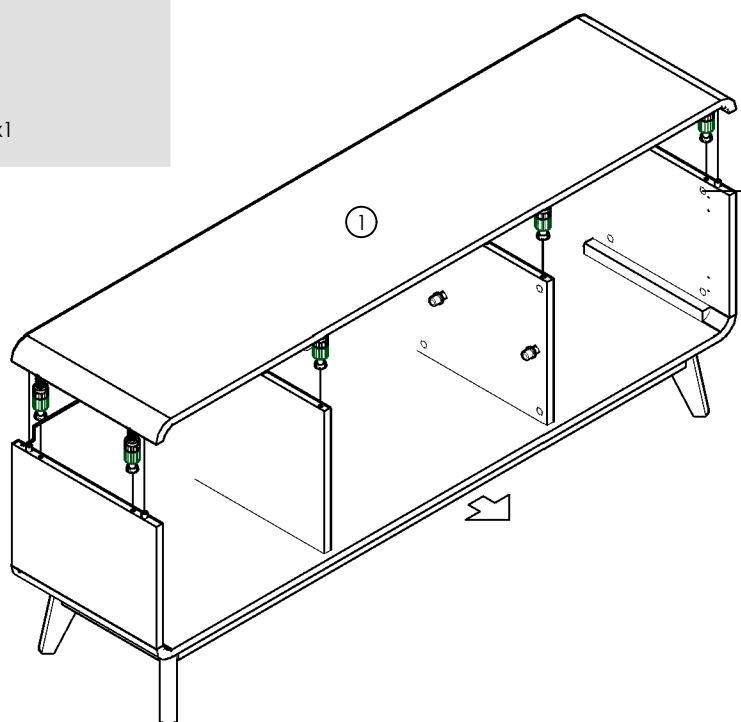
Step 7

HARDWARE :

- ⓐ Allen Key x1

COMPONENTS :

- ① Top Panel x1



Installation:

As shown, the head of minifix housing goes into the open mouth of the mini fix bolt. Use Allen Key then turn the minifix housing so it tightens over the mini fix bolt.

Step 8

HARDWARE :

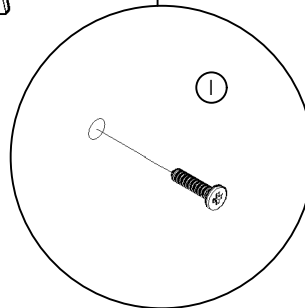
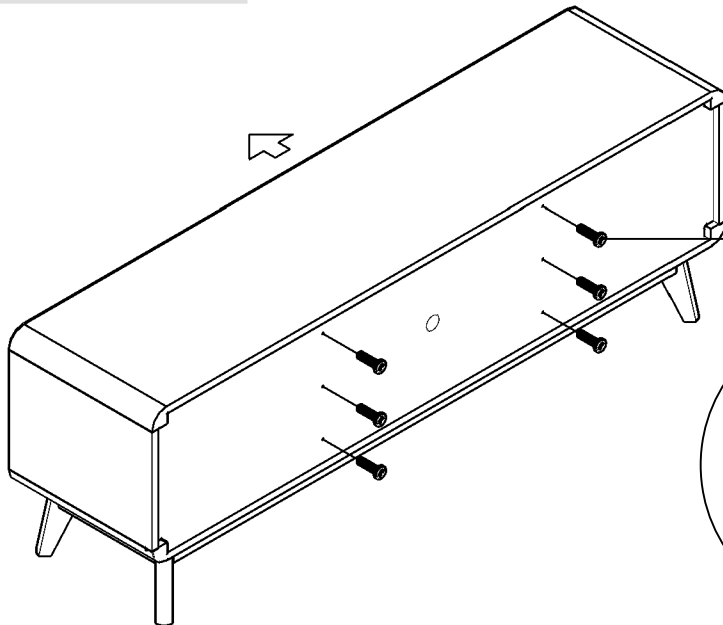
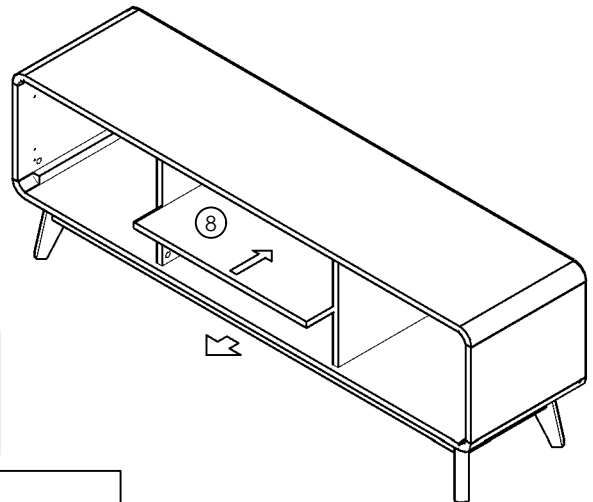
- ① Screw M3.5x16MM x6

COMPONENTS :

- ⑧ Shelf Panel x1

Installing the Shelf Panel

Insert Shelf Panel: Slide the shelf panel into the cabinet.



Installation Screw:

Please insert the screw (1) on panel using screwdriver.

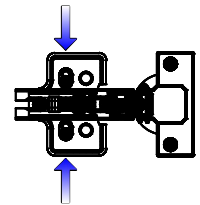
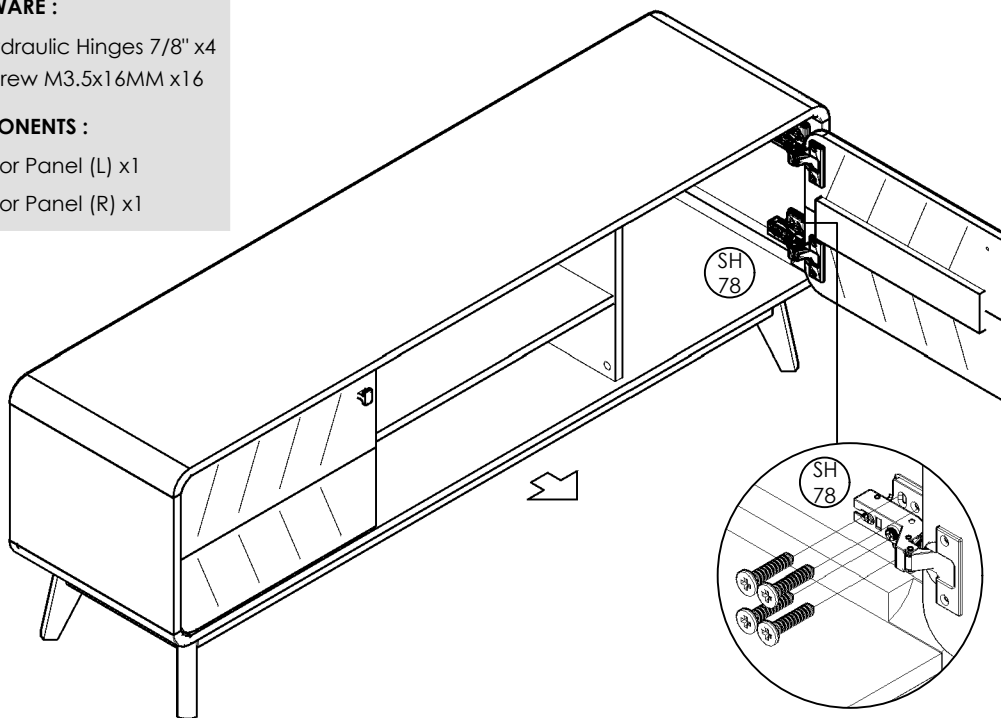
Step 9

HARDWARE :

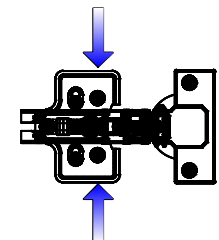
- SH Hydraulic Hinges 7/8" x4
- 78 Screw M3.5x16MM x16

COMPONENTS :

- ⑫ Door Panel (L) x1
- ⑬ Door Panel (R) x1



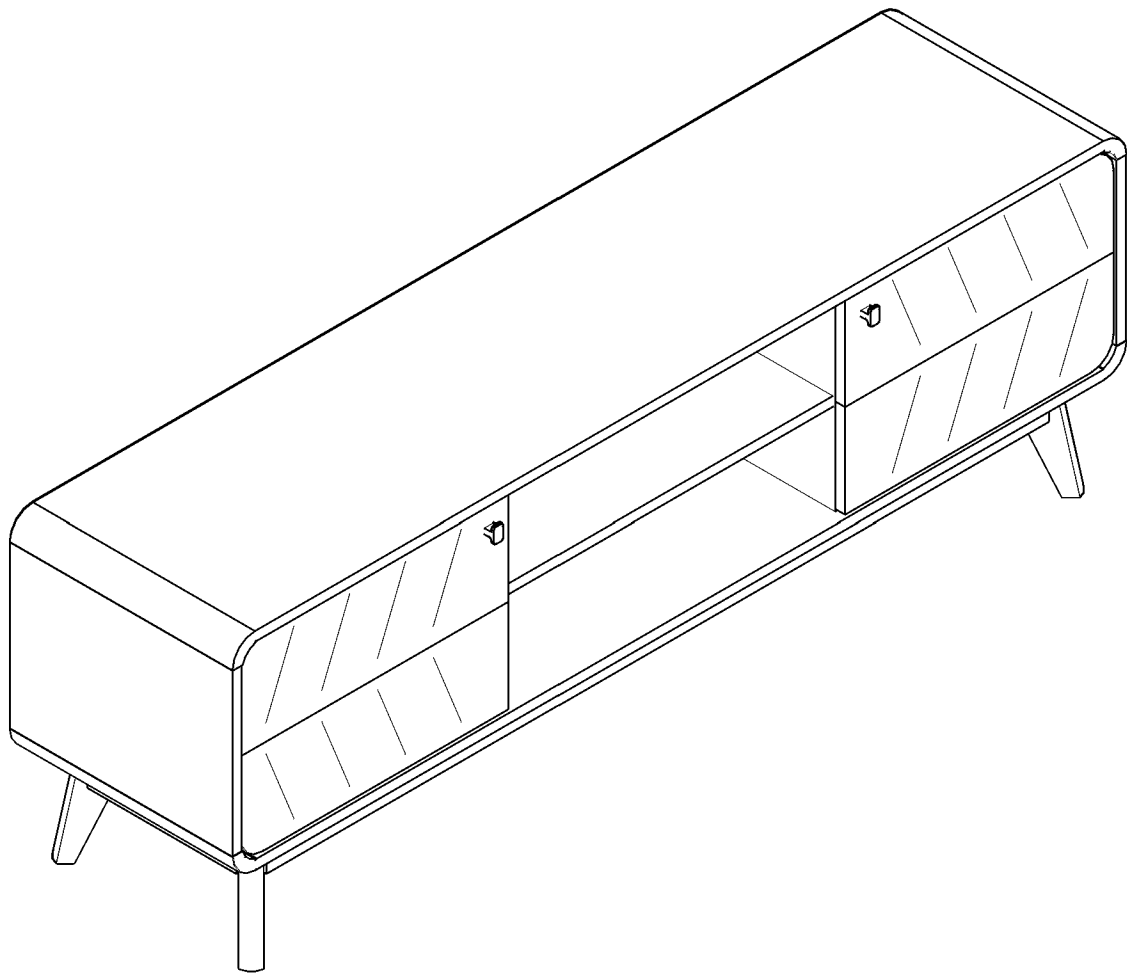
#Adjust the door by moving it up and down or left and right the tighten the screws



#Tighten the screws to prevent sliding doors

VOILA!

Now enjoy.



Warning !!!

DO NOT stand on the cabinet as this may damage the product and cause serious bodily injury.

Something not right?

We are always here to help.

We make mistakes like every human does. Though we always strive to provide the best possible products at competitive prices and the best service in the industry, it's not possible to completely eliminate mistakes. If you experience any dissatisfaction, feel free to contact us immediately. Our in-house customer care team will respond ASAP.

- customerservice@luxenhome.com
Get response within 24 hrs
- 909.548.6688
Mon-Fri 9am-5pm PST/PDT
- www.luxenhome.com/help
Submit a ticket on our website

Things to do to expedite the process

- Have your order# ready
- Take photos/videos to help us better identify the issues
- DO NOT throw away the packaging

Happy with our product?

Leave us a review

It really help us as a small business

Find the product you purchased on our website (tip: search by SKU) and leave us a review.

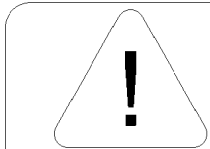
Alternatively, you can always return to the marketplace where you purchased it and leave a review there.

Share with others

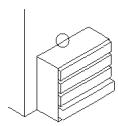
Our customers look for REAL stuff

- Follow us on IG @luxen.home
- Share your #liveluxen moments

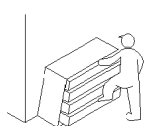
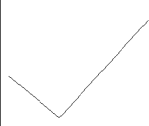
**Please save this manual
for future reference.**



ANTI-TIP



WITH ANTI-TIP



WITHOUT ANTI-TIP

Installation Instruction :

A tip restraint must be attached to a wall stud using the 2" screw enclosed.

1. Attach a strap to the back top rail or back top edge of the furniture using the 5/8" screw provided.
2. Locate the strap on the wall over a wall stud and 2 inches below the mounting strap secured to the back of your unit. Attach to the wall stud using the 2" screw provided, through the smaller hole.
3. Place the furniture into position so both mounting strap are vertically in line.
4. Lace the end of the restraint strap through the larger hole in each mounting strap. Bring both ends together and slide the flat end through the locking end and draw it through until all slack is removed.
5. Confirm that the strap is securely laced and locked.

Part Include :



1 Pc



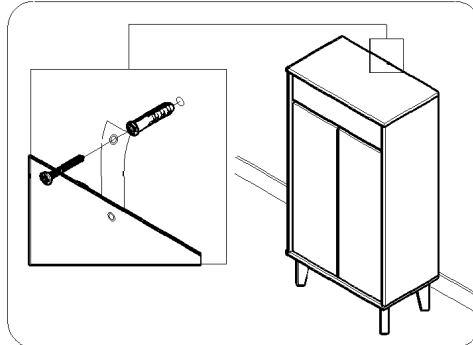
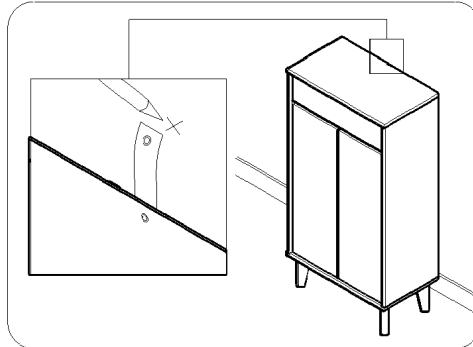
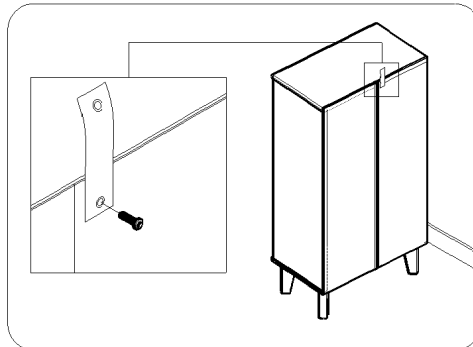
1 Pc



1 Pc



1 Pc



ANTI-TIP DEVICE INSTALLATION INSTRUCTION

IMPORTANT SAFETY INSTRUCTIONS

Read and follow all instructions when using the range to prevent the risk of personal injury or damage. This guide does not cover all possible conditions that may occur. Always contact your service agent or manufacturer about problems that you do not understand.



This is the safety alert symbol. This symbol alerts you to potential hazards that can result in property damage and/or serious bodily harm or death. All safety messages will follow the safety alert symbol and either the word WARNING or CAUTION. These words means:



WARNING - Indicates a hazardous situation which, if not avoided, could result in death or serious injury.



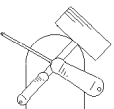
CAUTION - Indicates a hazardous situation which, if not avoided, could result in minor or moderate injury.

ANTI-TIP DEVICE



WARNING

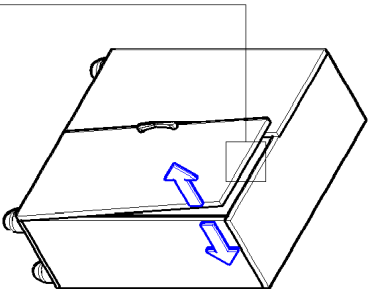
- **TO REDUCE THE RISK OF TIPPING, THE APPLIANCE MUST BE SECURED BY A PROPERLY INSTALLED ANTI-TIP DEVICE, TO CHECK IF THE DEVICE IS INSTALLED PROPERLY, VERIFY THAT ANTI DEVICE IS ENGAGED, OR GRASP THE TOP REAR EDGE OF THE RANGE BACK GROUND AND CAREFULLY ATTEMPTED TO TILT IT FORWARD.** Refer to the installation section for instructions.
- A child or adult can tip the range and be killed.
- Install the anti-tip device to the structure and/or the range. Verify the anti-tip device has been properly installed and engaged following the instructions on the anti-tip bracket template.
- Engage the range to the anti-tip device following the instructions on the anti-tip bracket template. Ensure the anti-tip device is re-engaged when the range is moved by following the instruction on the anti-tip bracket template.
- Re-engage the anti-tip device if the range is moved. Do not operate the range without the anti-tip device in place and engaged.
- See installation instruction for details.
- Failure to do so can results in death or serious injury to children or adults.
- Never remove the dresser/chest of drawer legs. The range will not be secured to the anti-tip bracket if the legs are removed.
- Do not step or sit on drawers. The range could be tipped and injury might result.
- Do not rest large heavy items on the open drawer. The range could tip forward and cause injury.
- Re-engage the anti-tip device after pulling the range out for moving or any other reason.
- Failure to follow these instructions can result in serious injury or death to children or adults.



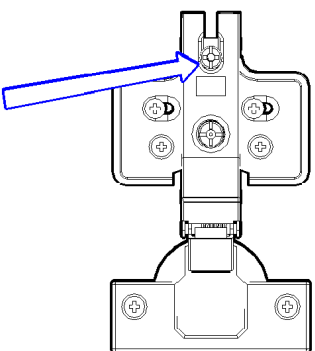
HOW TO ADJUST GLASS/DOORS

- There is a gap between the door and the shelf with doors closed

Loosen the back adjustable screw which is one of the two screws looking from the front while supporting the doors, adjust the door by moving it back and forth, then tighten the back screw.



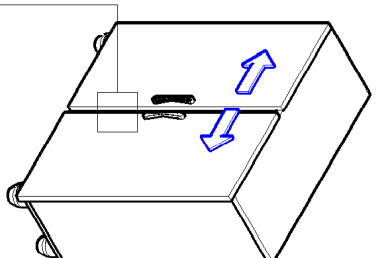
If there is a gap between the doors on the top.



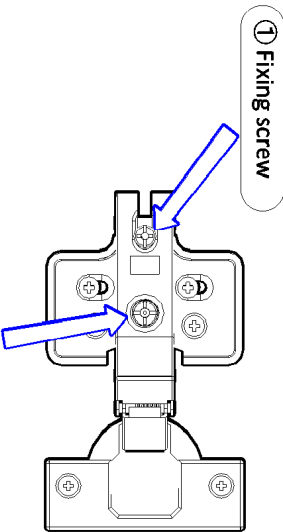
Loosen this screw, adjust by moving back and forth

- There is a gap in the middle with doors closed

Loosen the ① back adjustable screw which is one of the two screws looking from the front while supporting the doors, tighten the ② screw clockwise, then adjust the middle gap. After adjusted, tighten the ① screw.



If the gap is wide

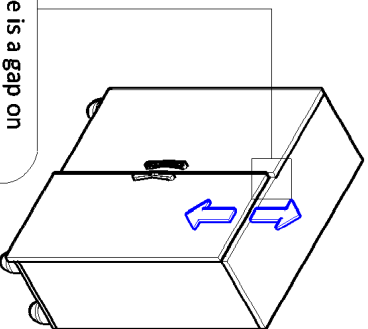


① Fixing screw

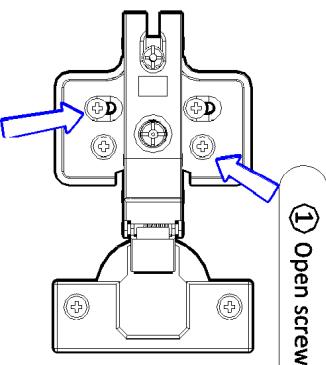
② Adjusting screw
(If you twist clockwise once, the door moves about 2mm inward)

- There is a gap on the top of the door when doors are closed
(Glass slide hinge does not require this step)
(4 screw hole hinge does not require ①)

Loosen the slide hinge screw while supporting the door, adjust the door by moving it up and down then tighten the screws.
(Please loosen the slide hinge screws of the door completely you are adjusting before moving it up and down.)



If there is a gap on the top of the door



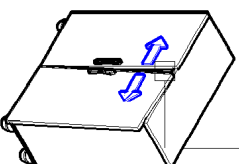
① Open screw

② Slide hinge screws (Please loosen these screws before adjusting)

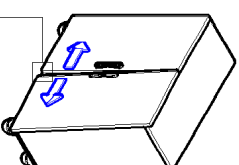
- There is a V gap when doors are closed

Loosen the ① back adjustable screw which is one of the two screws looking from the front while supporting the doors, tighten the ② screw clockwise, then adjust the middle gap. After adjusted, tighten the ① screw.

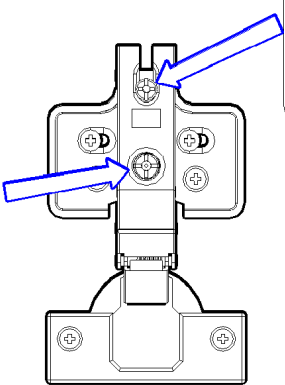
If there is a gap between the doors on the top
(Please adjust slide hinge the top part door)



If there is a gap between the doors on the bottom
(Please adjust slide hinge the bottom part door)



① Fixing screw



② Adjusting screw
(If you twist clockwise once, the door moves about 2mm inward)