

ACR1011WNSF456LHD



53.13" x 23.38" x 27.75" (H x W x D)

Upright healthcare all-refrigerator certified to NSF/ANSI 456 with self-closing solid door, front lock, digital controls, and NIST-calibrated temperature readout

Highlights:

- Certified to NSF/ANSI 456 Vaccine Storage Standard
- Specially designed to meet current CDC/VFC vaccine refrigeration guidelines for convenient storage in pharmacies, medical offices, and other healthcare facilities
- Designed and constructed for reliable cold storage in healthcare facilities

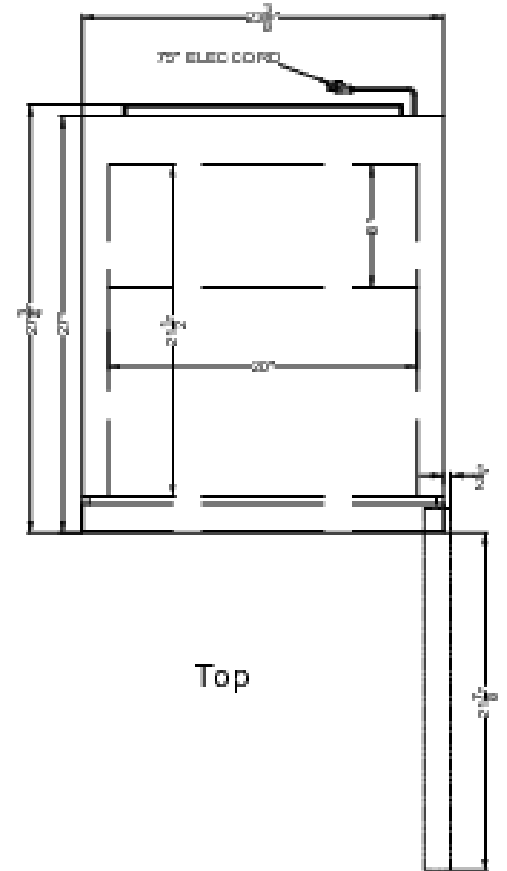
Product Features:

| | |
|--|--|
| EQTemp Healthcare Refrigerator | All-refrigerator designed to operate between 2 and 8°C for a variety of storage application in medical offices and other healthcare facilities |
| Certified to NSF/ANSI 456 Vaccine Storage Standard | Tested to comply with the latest standards |
| Certificate of calibration included | The temperature monitoring device (TMD) is calibrated to NIST standards in our ISO/IEC 17025:2017 certified calibration laboratory and ships with a 2-year certificate of calibration for your records |
| Temperature Range: 2° to 8°C | Preset to 5°C as recommended for many storage applications |
| Large capacity | Full 9.88 cu.ft. capacity inside conveniently slim footprint |
| External temperature readout | Includes continuous display of the current interior and high/low temperature, and can be switched from Celsius to Fahrenheit at the touch of a button |
| High/low temperature alarm | Audible alarm sounds if the interior temperature rises or falls out of set range |
| Buffered temperature probe | Thermometer probe is encased in a glass bead-filled bottle and stored in a fixed box on the center shelf. This is the ideal way to produce temperature readings closest to stored contents, as recommended by the CDC and VFC's guidelines |

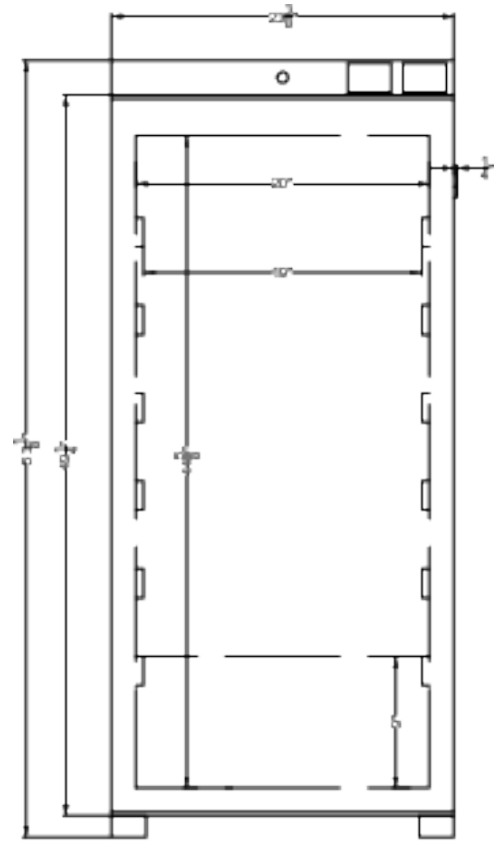
ACR1011WNSF456LHD Specifications:

| Overview | |
|----------------------------|---------------------|
| Height of Cabinet | 53.13" (135 cm) |
| Width | 23.38" (59 cm) |
| Width with Door Open | 23.88" (61 cm) |
| Depth | 27.75" (70 cm) |
| Depth with door at 90° | 45.25" (115 cm) |
| Capacity | 9.88 cu.ft. (280 L) |
| Defrost Type | Automatic |
| Door | White |
| Cabinet | White |
| US Electrical Safety | ETL |
| Canadian Electrical Safety | ETL-C |
| Sanitation | ETL-S to NSF 456 |
| Amps | 2.0 |
| Voltage/Frequency | 115 V AC/60 Hz |
| Weight | 116.8 lbs. (53 kg) |
| Shipping Weight | 191.0 lbs. (87 kg) |
| Parts & Labor Warranty | 1 Year |
| Compressor Warranty | 5 Years |
| UPC | 761101107707 |
| Refrigerator Features | |
| Door Swing | LHD |
| Reversible | Factory Reversible |
| Shelf Type | Wire |
| Shelf Qty | 4 |
| Adjustable Shelves | Yes |
| Thermostat Type | Digital |
| Fan Type | Interior |
| Refrigerant Type | R600a |
| Refrigerant Amount | 2.0oz. |
| High Side PSI | 1.45 |
| Low Side PSI | 0.85 |
| Level Legs Qty | 2 |
| Interior Light | Yes |
| Temperature Range | 2° to 8°C |
| Dimensions | |
| Interior Height | 44.63" (113 cm) |
| Interior Width | 20.0" (51 cm) |

| | |
|------------------------|---------------|
| Interior Depth | 21.5" (55 cm) |
| Compressor Step Height | 9.0" (23 cm) |
| Compressor Step Width | 20.0" (51 cm) |
| Compressor Step Depth | 8.0" (20 cm) |



Top



Front