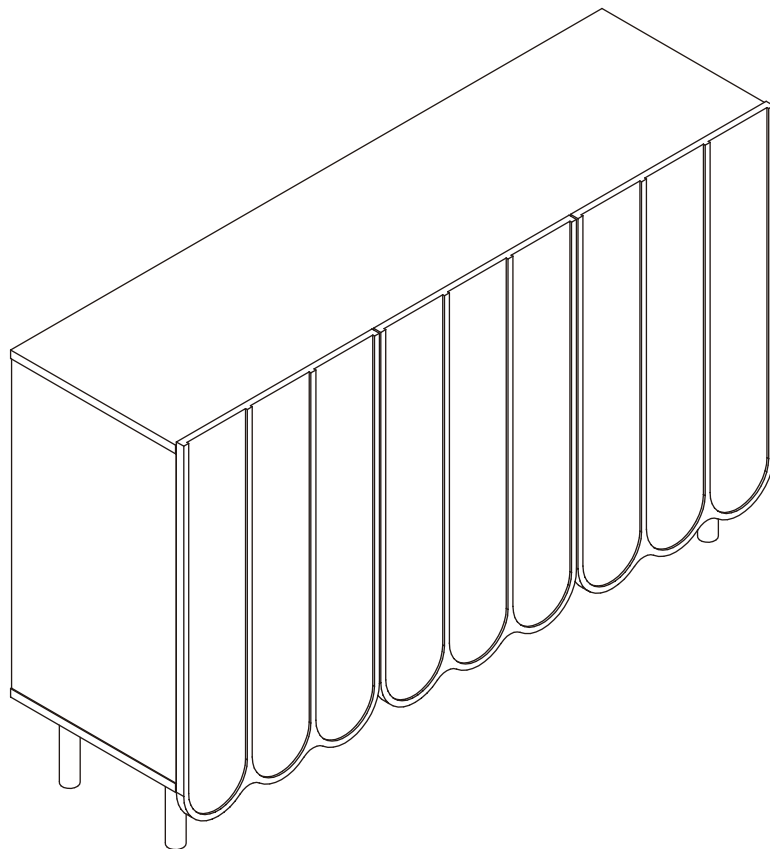


Cabinet

Assembly Instructions - Please keep for future reference



Dimensions

Width-47.2inch

Depth-13.8inch

Height-31.8inch

Important – Please read these instructions fully before starting assembly



Safety and Care Advice

Important – Please read these instructions fully before starting assembly

- Check you have all the components and tools listed on the following pages.
- Remove all fittings from the plastic bags and separate them into their groups.
- Keep children and animals away from the work area, small parts could choke if swallowed.
- Make sure you have enough space to layout the parts before starting.

- During assembly do not stand or put weight on the product, this could cause damage.
- Assemble the item as close to its final position (in the same room) as possible.
- Assemble on a soft level surface to avoid damaging the unit or your floor.
- Parts of the assembly will be easier with 2 people.



power drill is set on a low torque setting.

- To reduce the likelihood of damaging your product please ensure that your

Care and maintenance

- Only clean using a damp cloth and mild detergent, do not use bleach or abrasive cleaners.

- From time to time check that there are no loose screws on this unit.

- This product should not be discarded with household waste. Take to your local authority waste disposal centre.

Handy Hints

- Assemble all parts and bolts loosely during assembly, only once the product is complete should you fully tighten the bolts

- Regularly check and ensure That all bolts and fittings are tightened properly.

WARNING

In order to help prevent overturning – please follow these instructions

To help prevent product toppling over please follow the below steps:-

- Use the anti tip stop or wall fixing method provided (if applicable)
- Do not allow children to climb or hang on the furniture
- Do not open more than one drawer at a time
- Do not place heavy items in the top drawers
- Do not place heavy items on top of the furniture, unless the furniture has been designed for this purpose

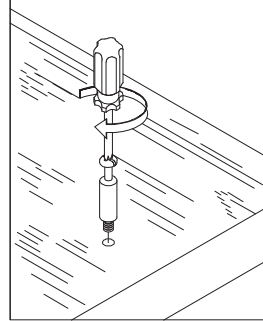
Using Camlocks

Step 1

Connect the male camlock as directed in the assembly instructions using a screwdriver.

1

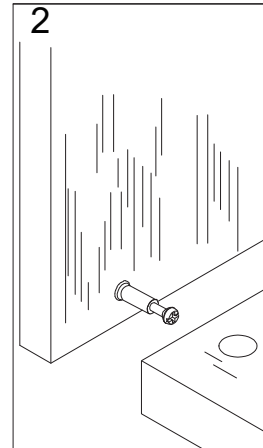
DO NOT OVER TIGHTEN.
NE PAS SERRER EXCESSIVEMENT.



Step 2

Push the male camlock into the entry hole.

2

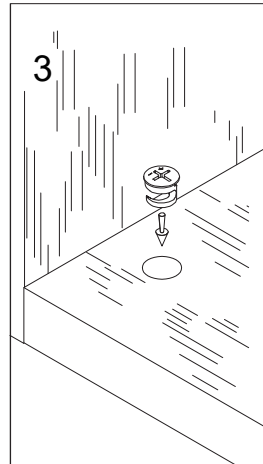


Step 3

Insert the female camlock as shown in the instruction.

Note: ensure that the arrow on the top of the camlock points towards the entry hole for the male camlock.

3



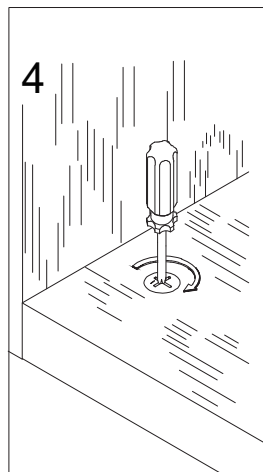
Step 4

Turn the female camlock clockwise with a screwdriver.

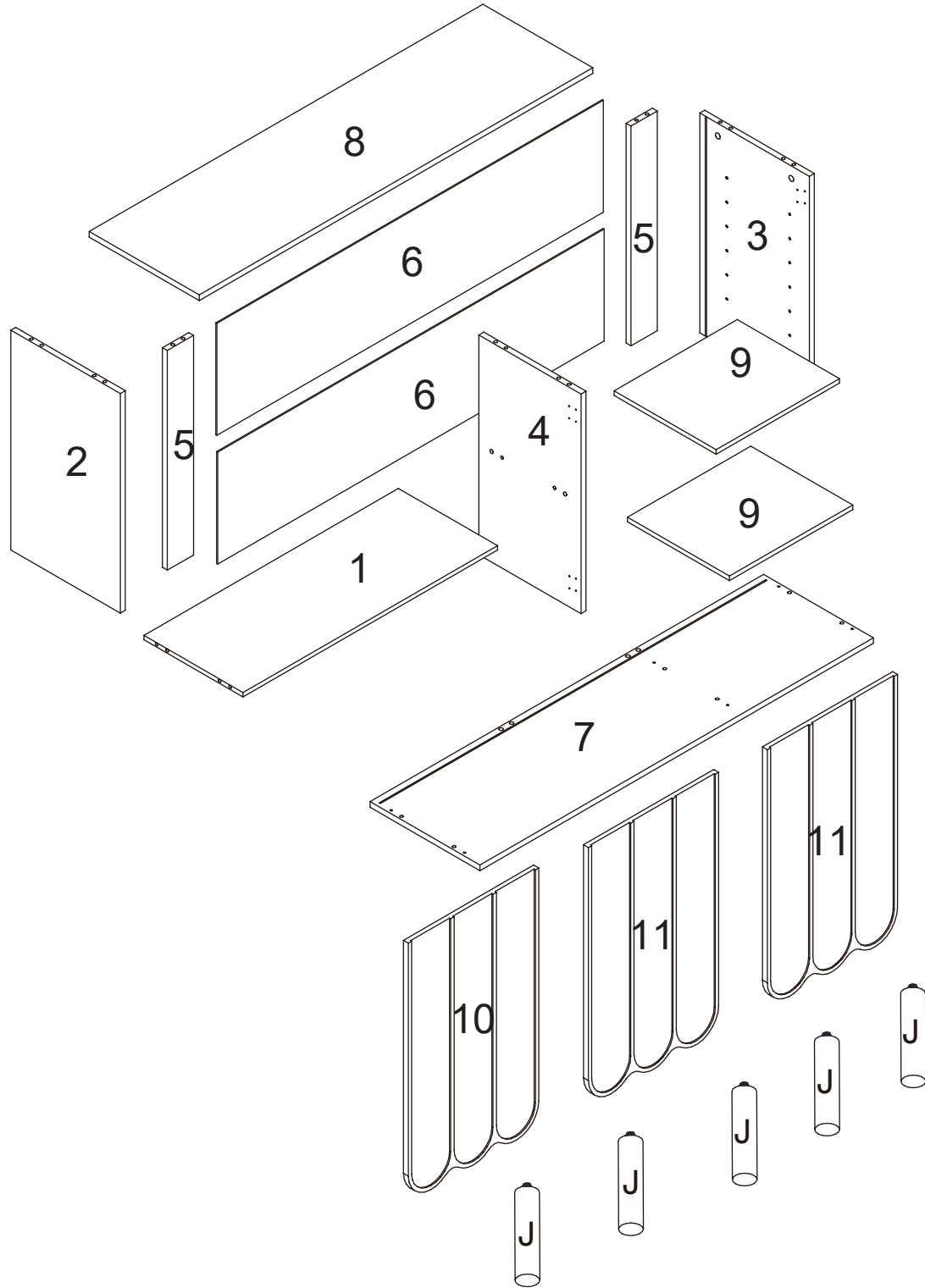
You should feel a click when the camlock is locked in place.

The joint is now secure.

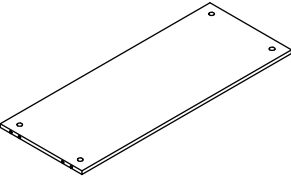
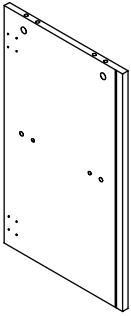
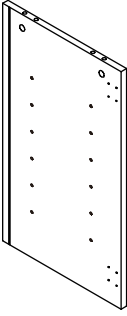
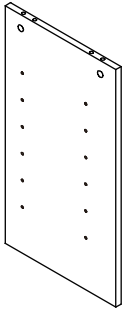
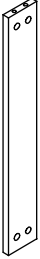
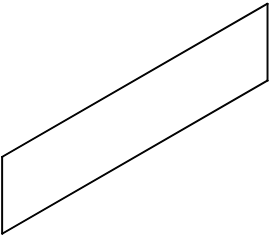
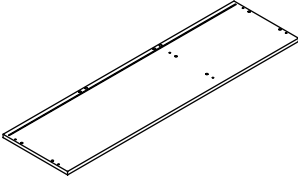
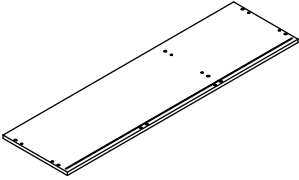
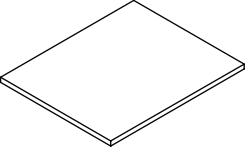
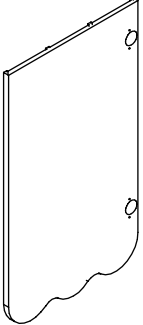
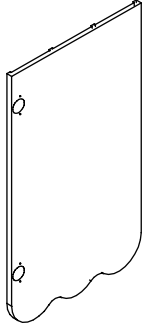
4



Assembly Instructions



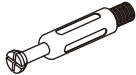

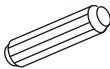

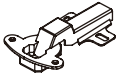
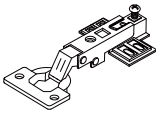

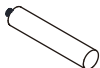


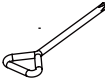
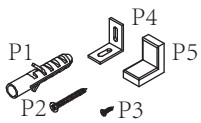

Assembly Instructions

 <p>776x311x15mm</p>	 <p>580x334x15mm</p>	 <p>580x334x15mm</p>	 <p>580x312x15mm</p>
<p>① x 1</p>	<p>② x 1</p>	<p>③ x 1</p>	<p>④ x 1</p>
 <p>580x 80x15mm</p>	 <p>1178x295.5x3mm</p>	 <p>1200x335x15mm</p>	 <p>1200x335x15mm</p>
<p>⑤ x 2</p>	<p>⑥ x 2</p>	<p>⑦ x 1</p>	<p>⑧ x 1</p>
 <p>374x302x12mm</p>	 <p>685x397x15mm</p>	 <p>685x397x15mm</p>	
<p>⑨ x 2</p>	<p>⑩ x 1</p>	<p>⑪ x 2</p>	

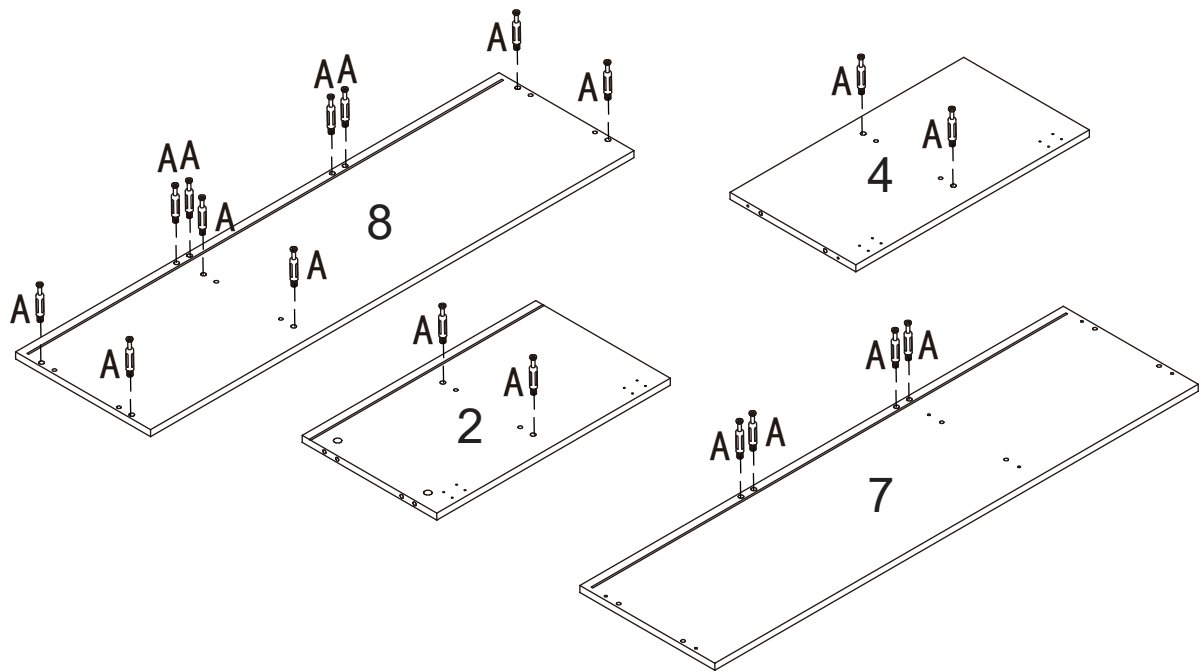
Components-Fittings

Please check you have all the panels listed below

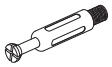
Note: The quantities below are the correct amount to complete the assembly. In some cases more fittings may be supplied than are required.

<p>(A)</p>  <p>Cam Bolt x 18+2</p>	<p>(B)</p>  <p>Cam Lock x 18+2</p>	<p>(C)</p>  <p>8*30mm Dowel x 16+2</p>	<p>(D)</p>  <p>5*40mm Screw x 6+1</p>
<p>(E)</p>  <p>Hinge x 2</p>	<p>(F)</p>  <p>Hinge x 4</p>	<p>(H)</p>  <p>Back panel buckle x 12+2</p>	<p>(J)</p>  <p>Anchor x 5</p>
<p>(K)</p>  <p>Bulkhead Pins x 8+1</p>	<p>(M)</p>  <p>Perfect Fit x 14+4</p>	<p>(N)</p>  <p>Screwdriver x 1</p>	<p>(P)</p>  <p>Anti dumping x 2 set</p>
<p>(Q)</p>  <p>3.5*12mm Screw x 36+2</p>			

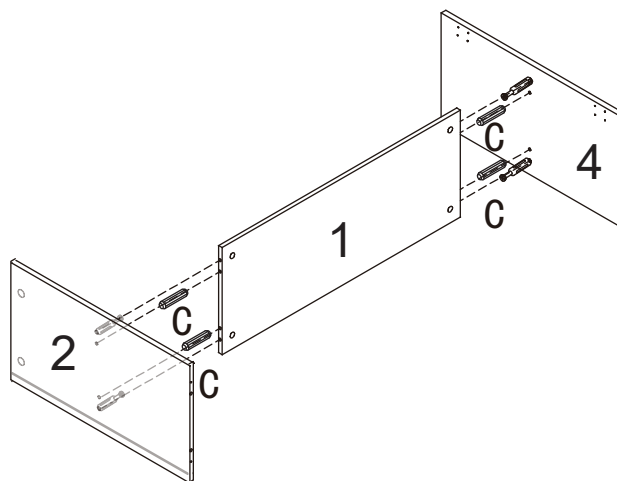
1.



A*18



2.

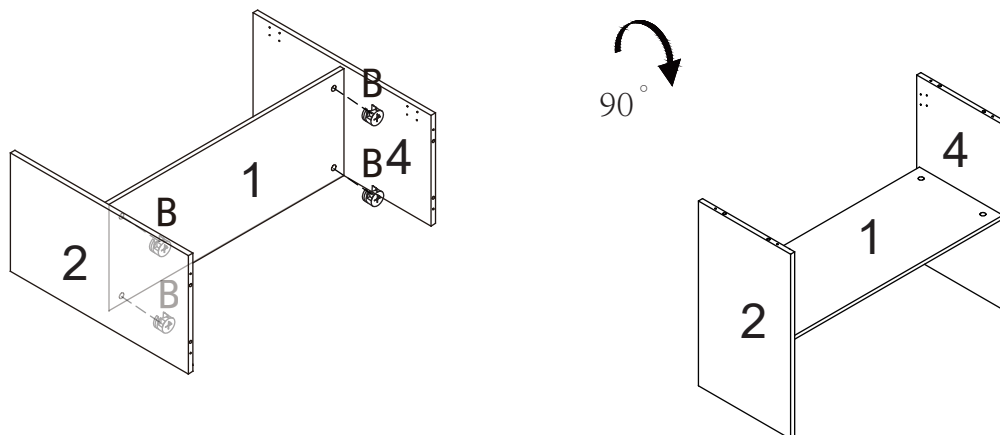
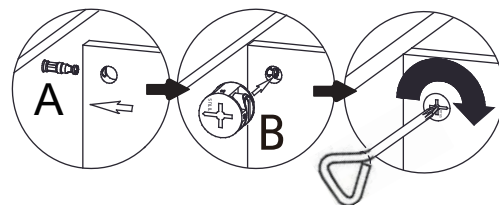


C*4



∅8 x 30 mm

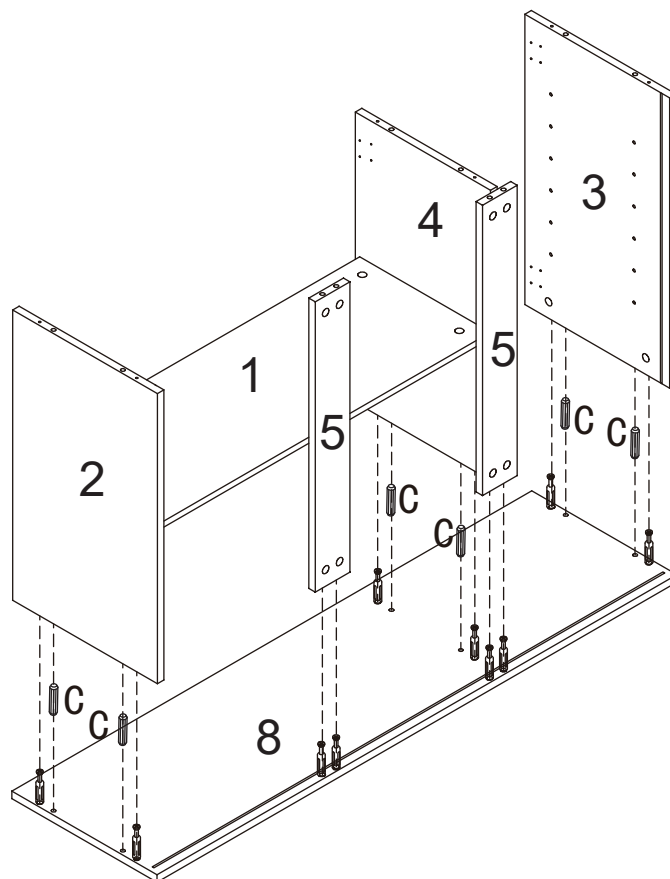
3.



B*4



4.

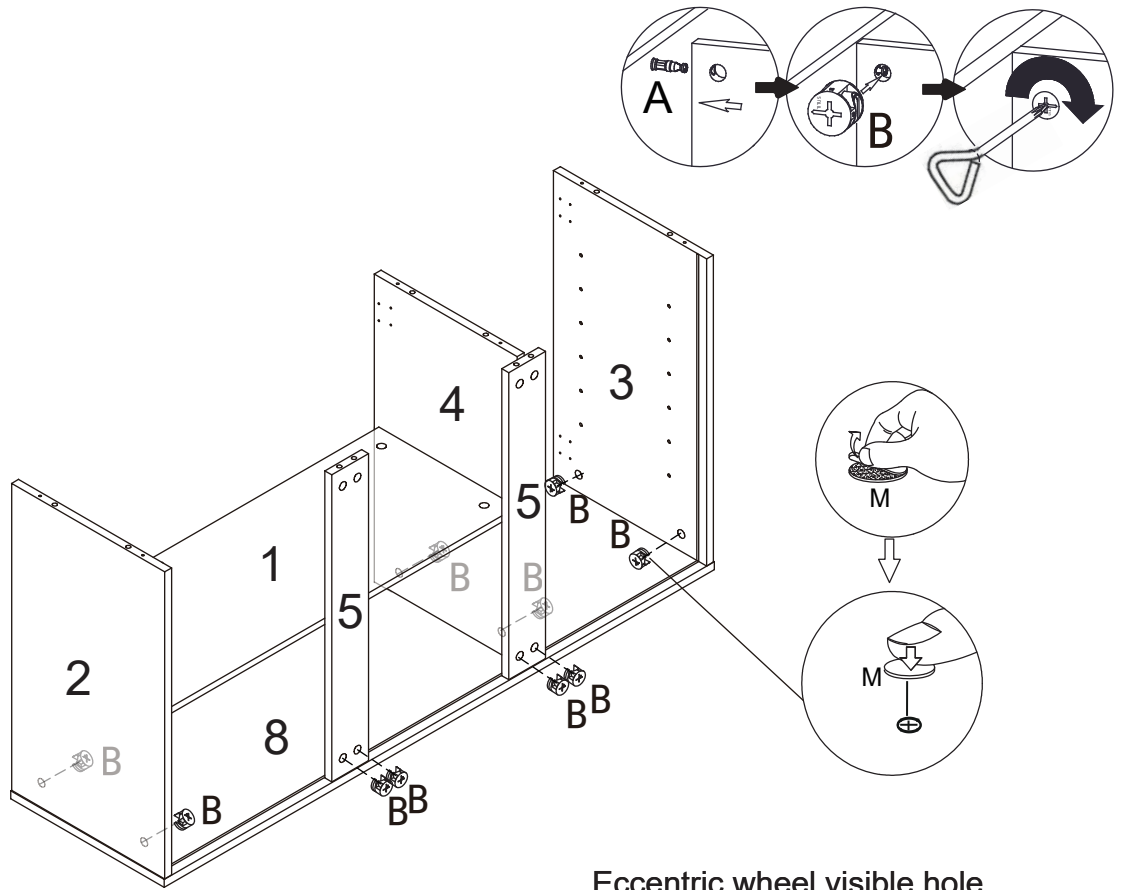


C*6



Ø8 x 30 mm

5.



Eccentric wheel visible hole sticker perfectly fits M

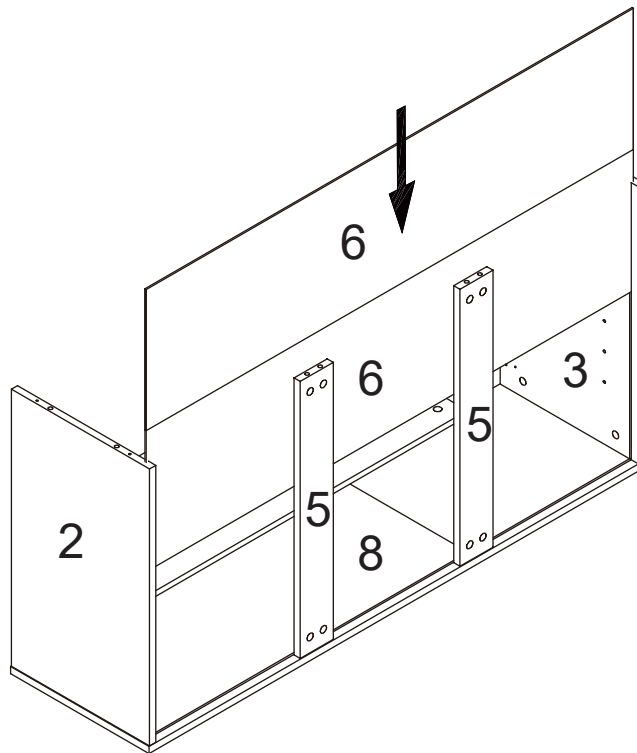
B*10



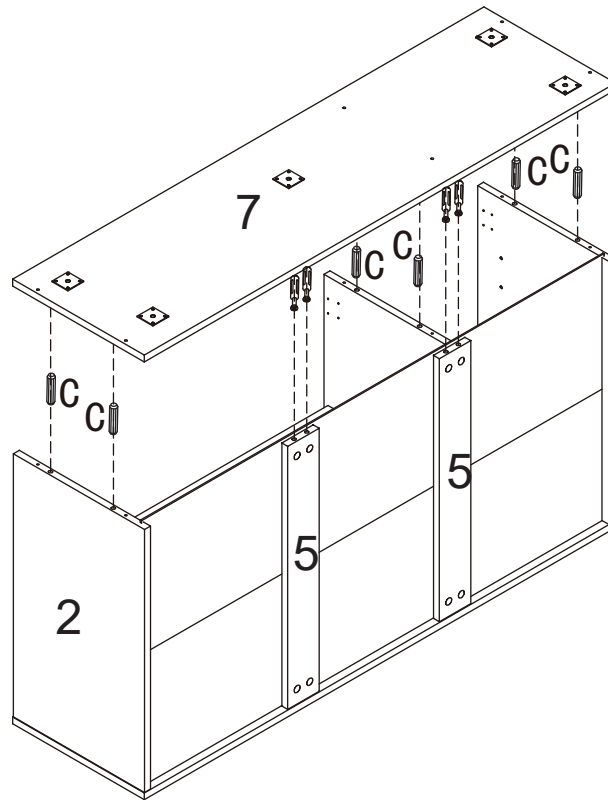
M*10



6.



7.

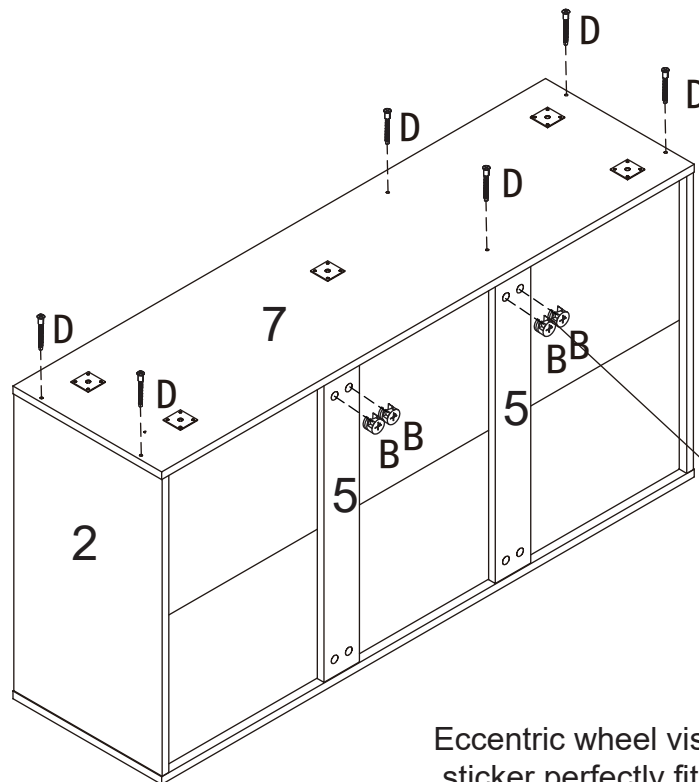


C*6



∅8 x 30 mm

8.



Eccentric wheel visible hole sticker perfectly fits M

D*6



∅5 x 40 mm

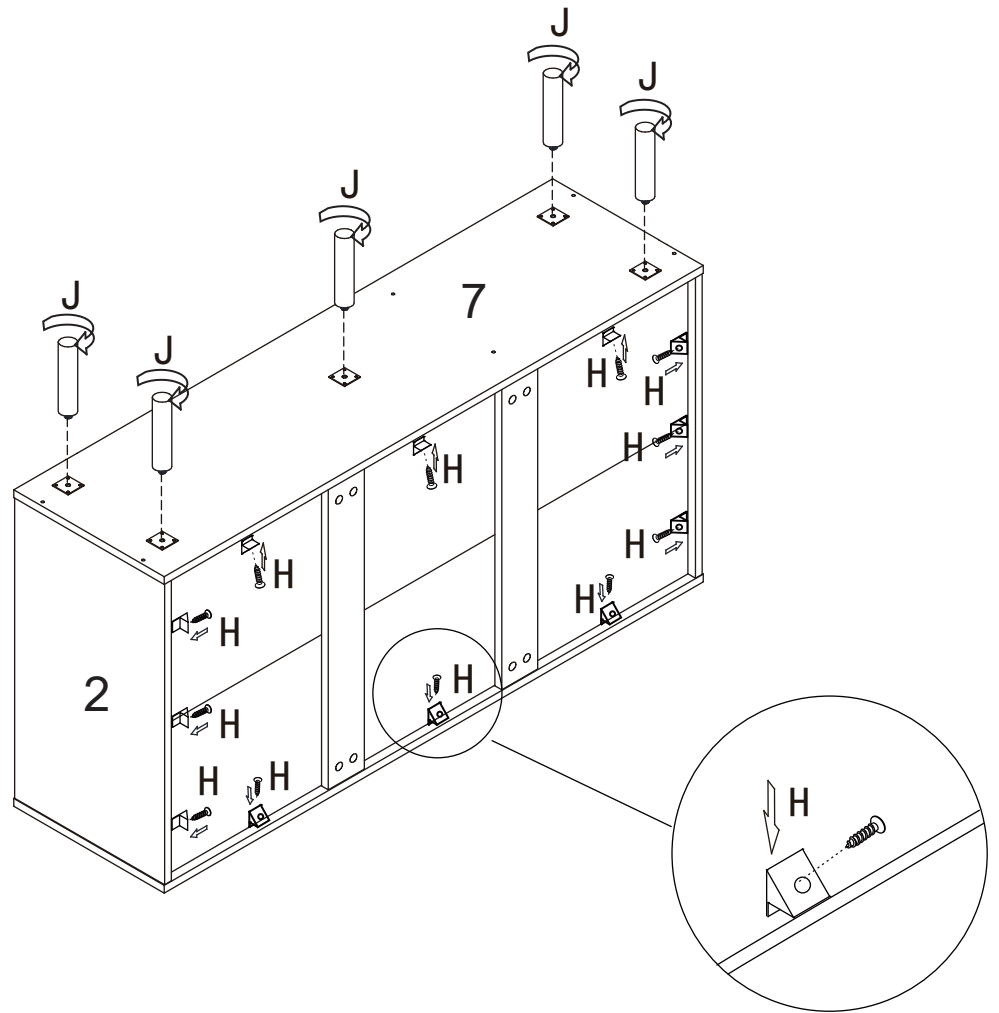
M*4



B*4



9.



J*5



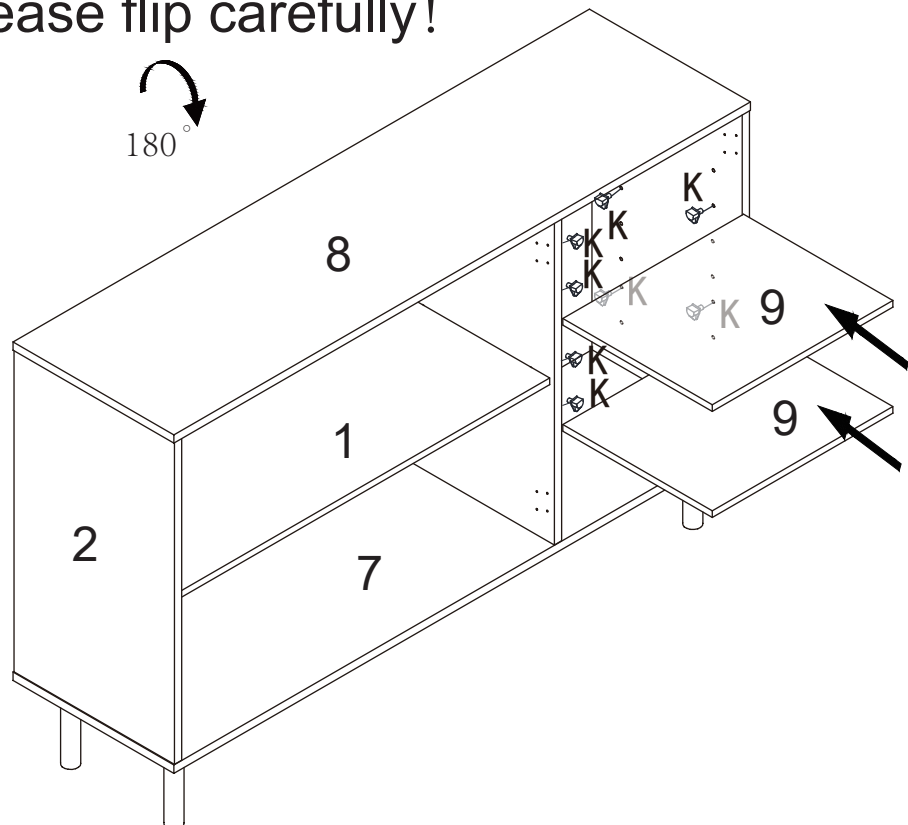
H*12



10.

It's better if two people work together on this step.

Please flip carefully!

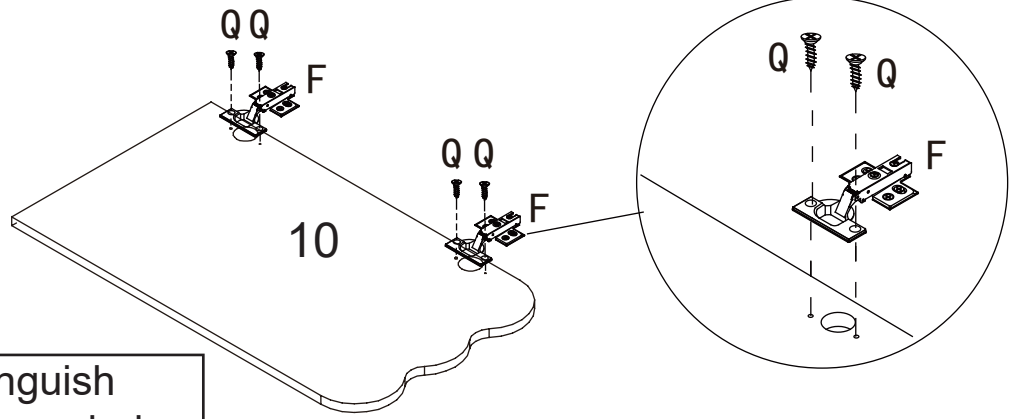


180°

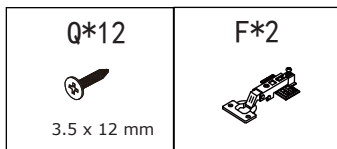
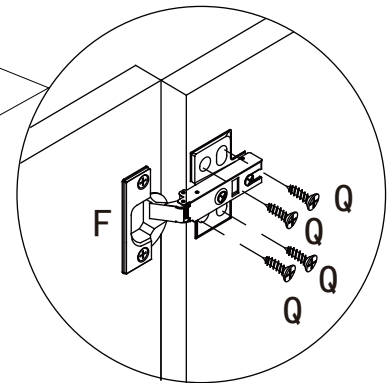
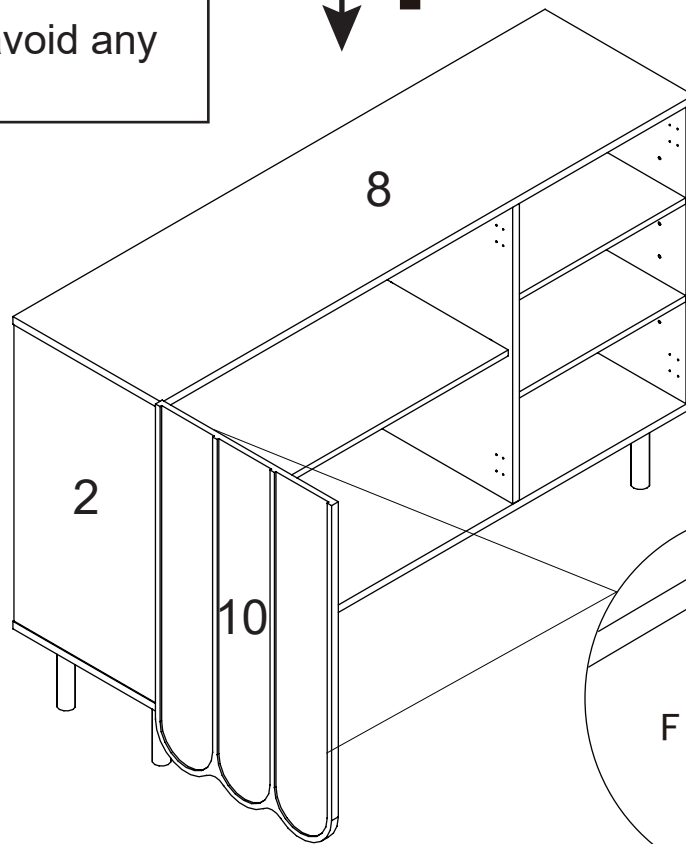
K*8



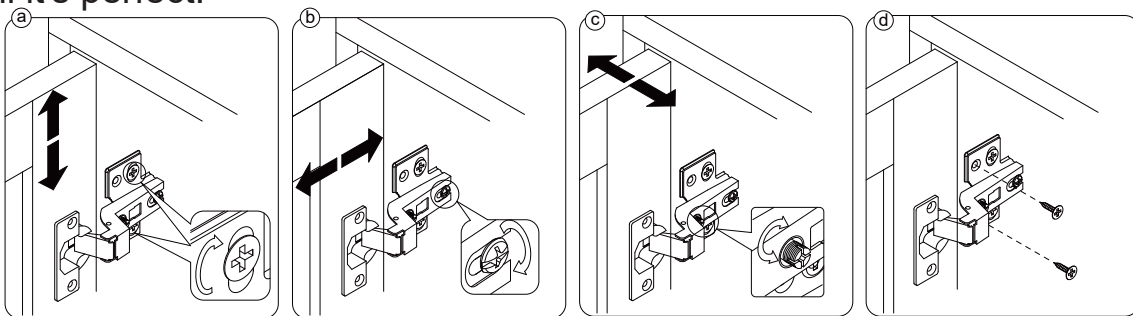
11.



Please carefully distinguish between E and F hinges during the installation steps and adhere strictly to the instructions in their prescribed order to avoid any installation errors.

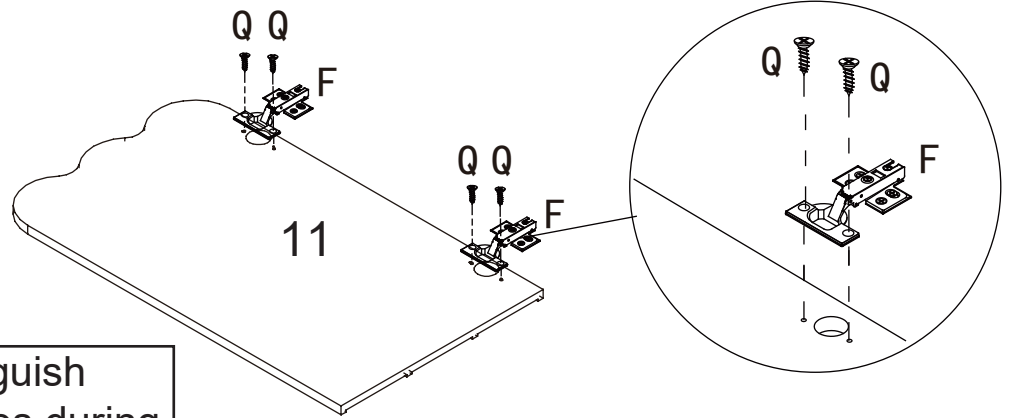


When the hinges are installed, you can refer to the pictures to adjust crevice of the doors till it's perfect:

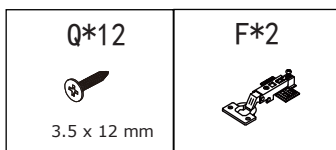
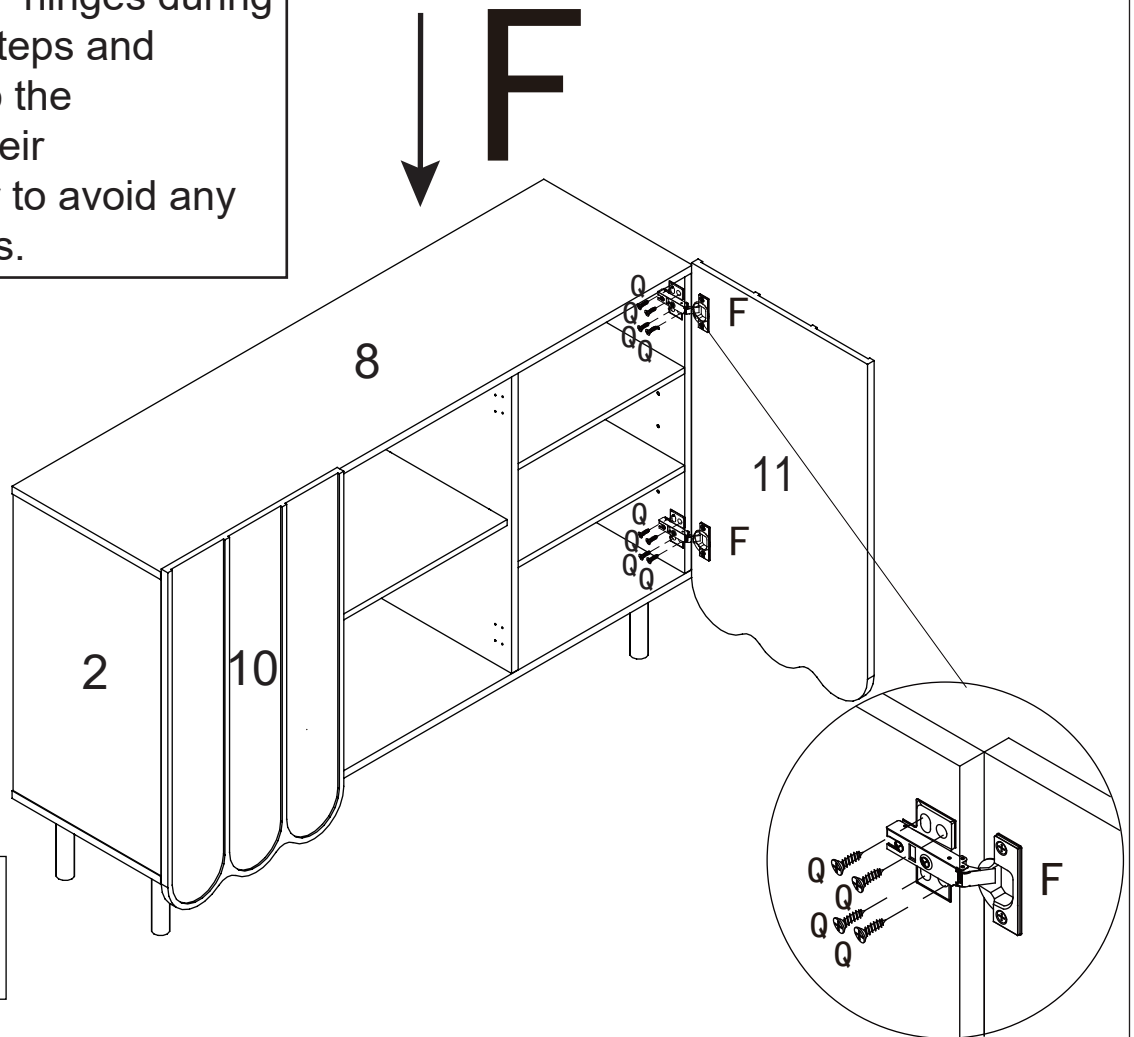


1. To adjust the doors up and down, please refer to step (a)
2. To adjust the distance between the doors and side panels, please refer to step(b)
3. To adjust the gap between two doors, please refer to step (c)
4. After the adjustment finished, please tight the screws, refer to step (d)

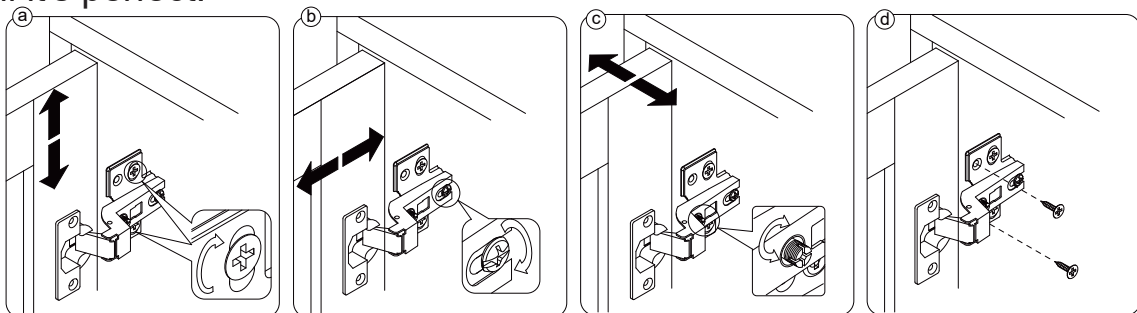
12.



Please carefully distinguish between E and F hinges during the installation steps and adhere strictly to the instructions in their prescribed order to avoid any installation errors.

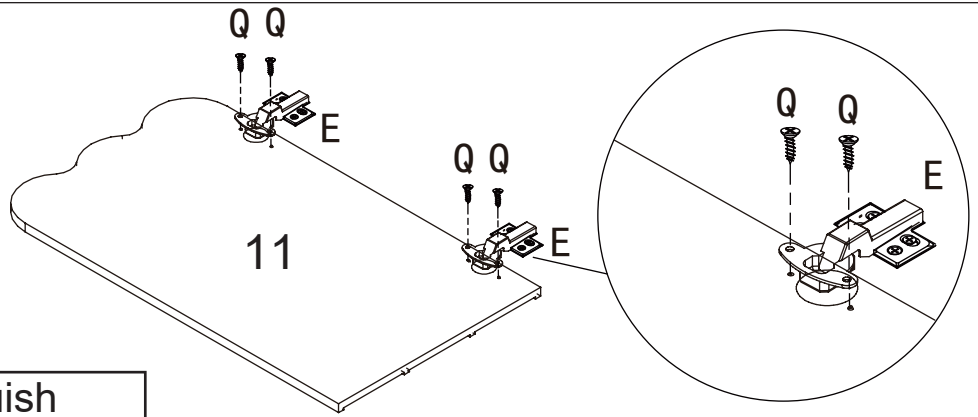


When the hinges are installed, you can refer to the pictures to adjust crevice of the doors till it's perfect:

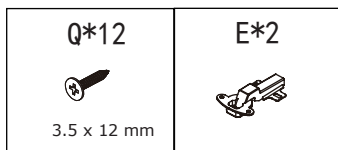
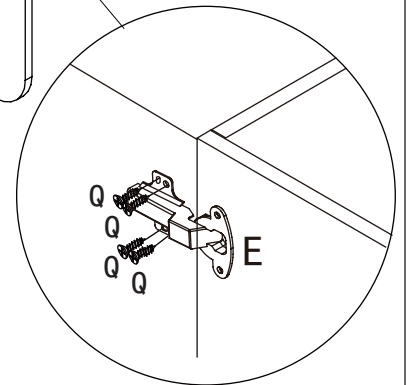
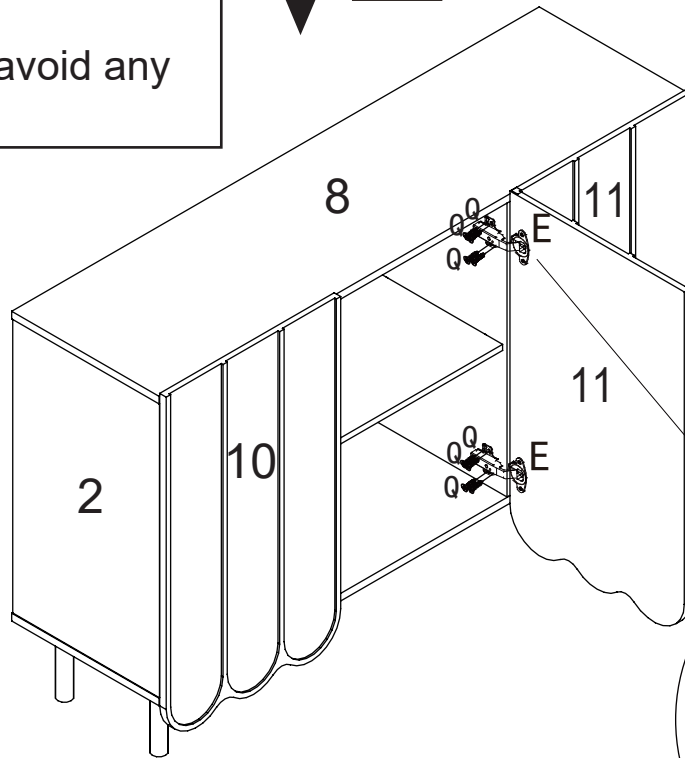


1. To adjust the doors up and down, please refer to step (a)
2. To adjust the distance between the doors and side panels, please refer to step (b)
3. To adjust the gap between two doors, please refer to step (c)
4. After the adjustment finished, please tight the screws, refer to step (d)

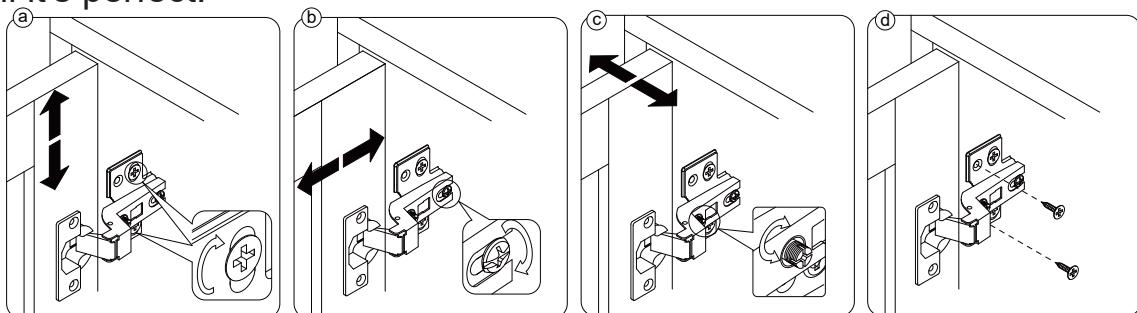
13.



Please carefully distinguish between E and F hinges during the installation steps and adhere strictly to the instructions in their prescribed order to avoid any installation errors.

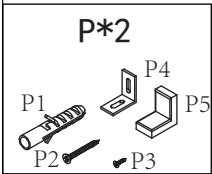
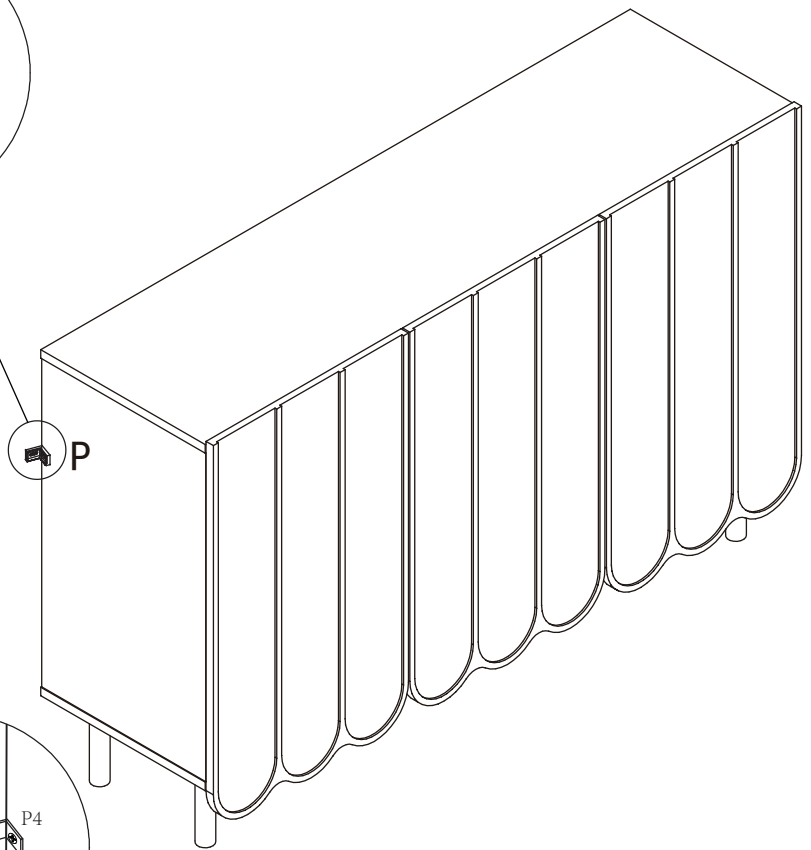
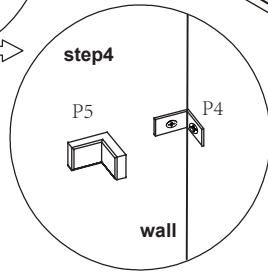
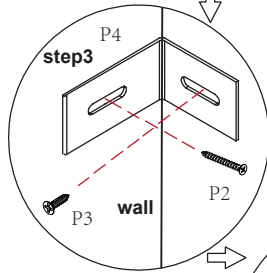
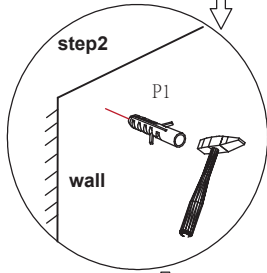
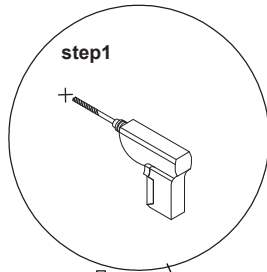


When the hinges are installed, you can refer to the pictures to adjust crevice of the doors till it's perfect:



1. To adjust the doors up and down, please refer to step (a)
2. To adjust the distance between the doors and side panels, please refer to step (b)
3. To adjust the gap between two doors, please refer to step (c)
4. After the adjustment finished, please tight the screws, refer to step (d)

14.



15.

