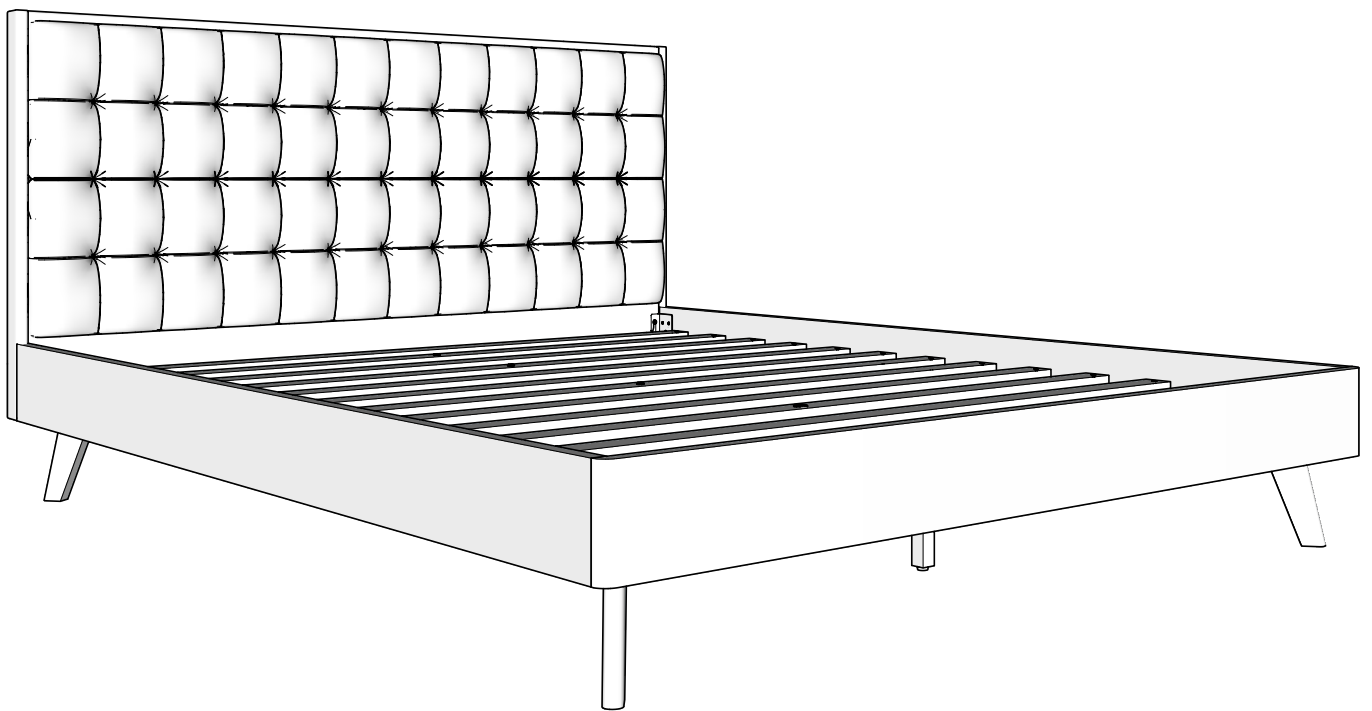


ASSEMBLY INSTRUCTIONS





IMPORTANT INFORMATION

Seller and Manufacturer disclaim all and any liability for property damage, personal injury, or loss, direct, indirect, or incidental, resulting from the incorrect assembly, inadequate maintenance, improper use, or neglect of this product.



NOTICE

- Keep these assembly instructions for future reference.
- Do not use this product if there are missing, damaged, or broken parts until repairs are made and/or factory replacement parts are installed.
- Check all packing material carefully for small hardware that may have become loose inside the carton during shipment.
- Identify and count all hardware and parts to compare with parts and hardware list.
- Follow assembly instructions closely. Improper assembly can result in personal or property damage.
- Secure all bolts before use.
- Every 90 days check all bolts are secured.
- Some parts may have a sharp corner or edge and maybe heavy.
- Do not use or store this product near open flames or around flammable chemicals.
- When placing contents on non-carpeted flooring, it's recommended to use floor protection such as an area rug or furniture pads. These are not included with the purchase.
- Do not drag or push the bed frame. To ensure safe moving, always use two people to lift and re-position the bedframe. Avoid dragging or pushing it across the floor to prevent damage to the legs, slats and the center support legs.

REPLACEMENT PART OR HARDWARE REQUEST:

Request a replacement by logging into the marketplace account in which the purchase was made and sending a message to the seller. To assist in expediting the request attach applicable images relevant to the request and/or part number and quantity.

TOOLS REQUIRED:

HEX WRENCH
(PROVIDED)



#2 Philips



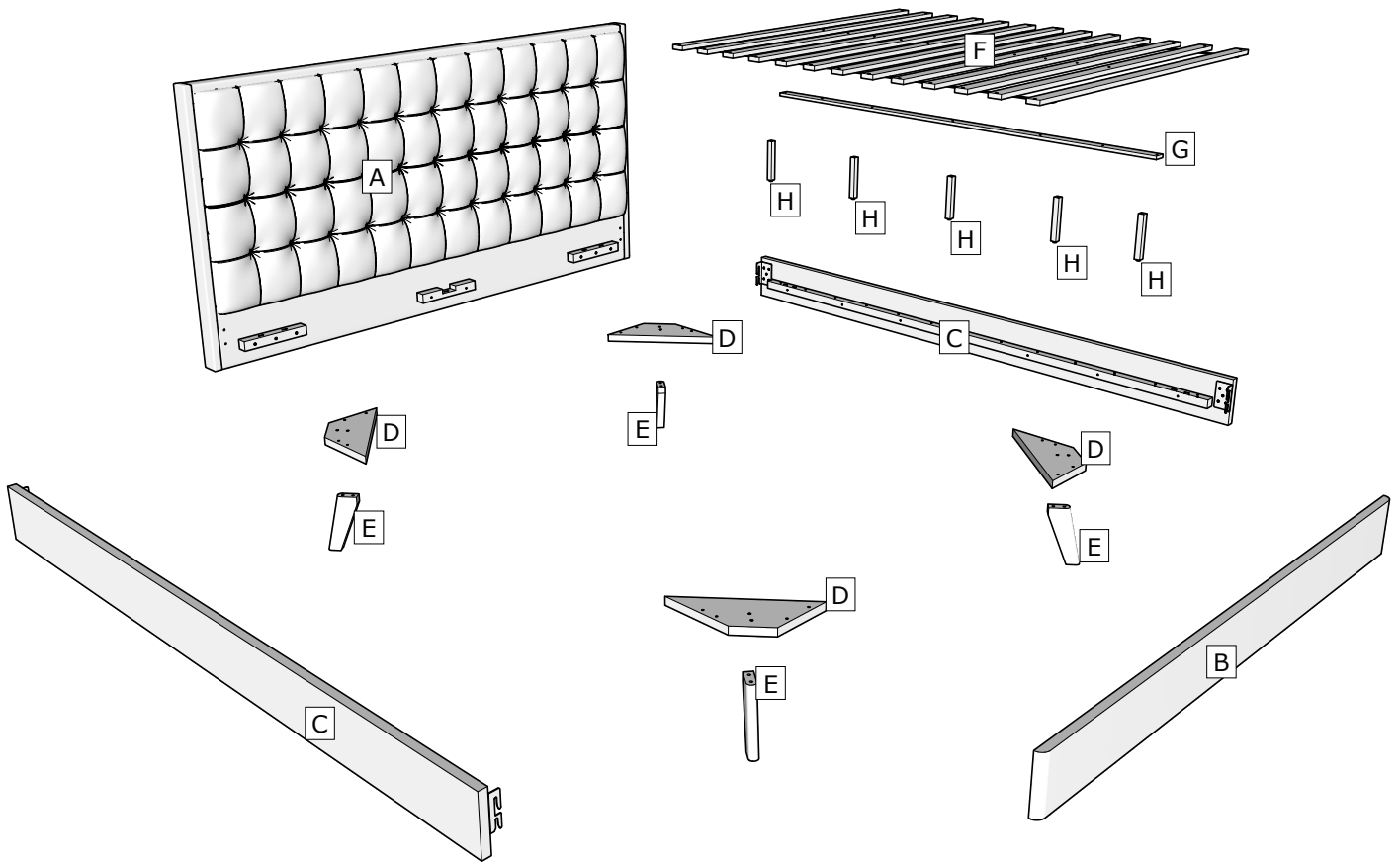
70mm
Hex Wrench



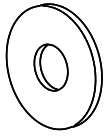
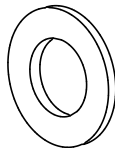
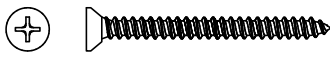
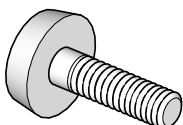
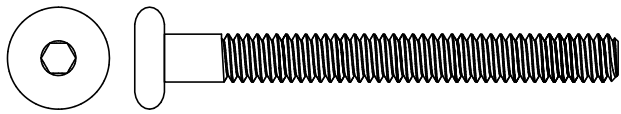
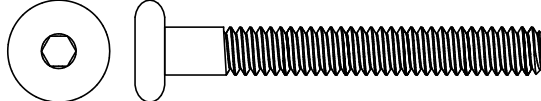
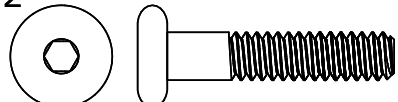
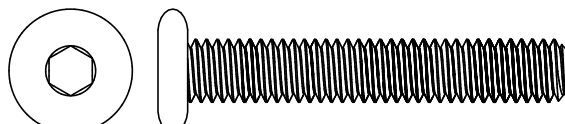
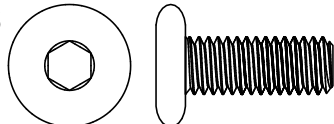
100mm
Hex Wrench

BED PARTS

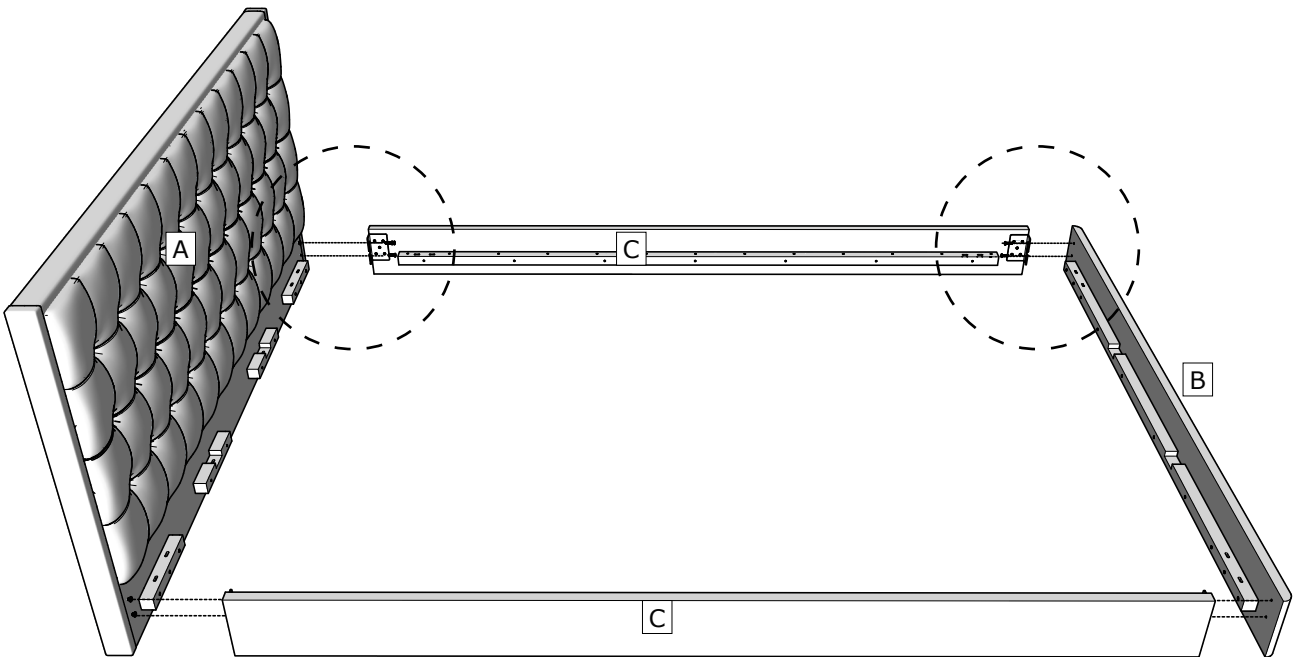
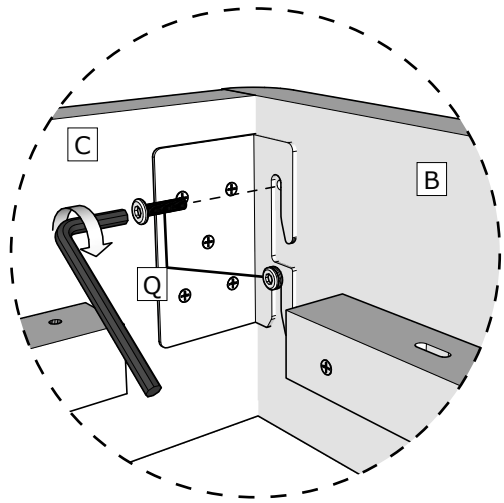
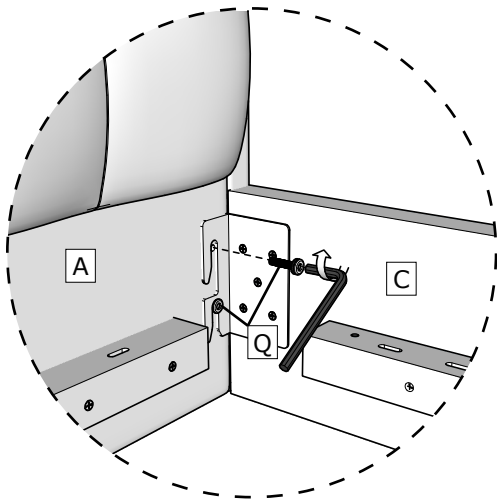
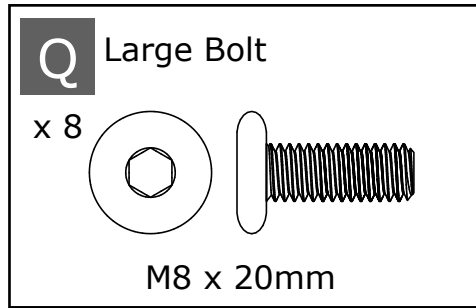
- A..... Headboard..... x 1
- B..... Footboard..... x 1
- C..... Side Rail..... x 2
- D..... Corner Block..... x 4
- E..... Foot..... x 4
- F..... Bed Slat..... x 13
- G..... Center Rail Slat..... x 1
- H..... Support Leg..... x 5



HARDWARE

<p>I Flat Washer x 16  M6</p>	<p>J Flat Washer - Big x 8  M8</p>	<p>K Wood Screw x 26  M4 x 32mm</p>
<p>L Adjustable Glide x 5 </p>	<p>M Small Bolt - Extra Long x 5  M6 x 60mm</p>	
<p>N Small Bolt - Long x 16  M6 x 50mm</p>	<p>O Small Bolt - Short x 2  M6 x 30mm</p>	
<p>P Large Bolt - Long x 8  M8 x 50mm</p>	<p>Q Large Bolt x 8  M8 x 20mm</p>	

BED ASSEMBLY STEP 1

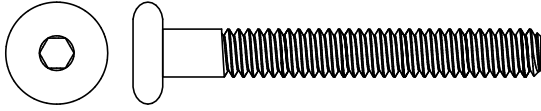


Attach Headboard **A** and Footboard **B** to Side Rail **C** using Large Bolt **Q**

BED ASSEMBLY STEP 2

N Small Bolt - Long

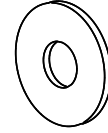
x 16



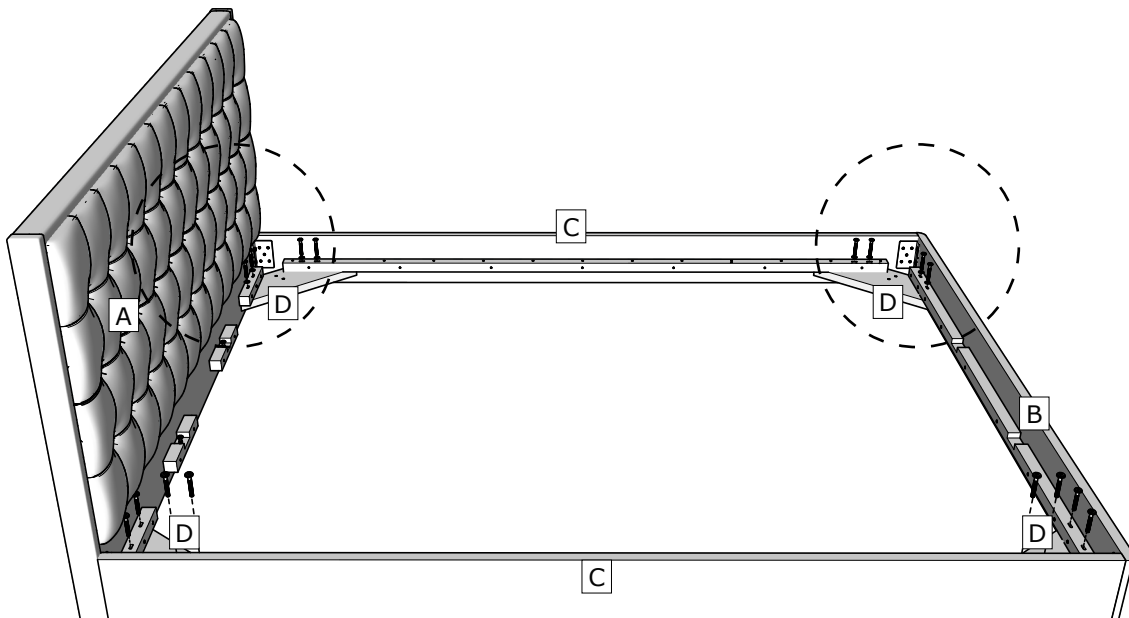
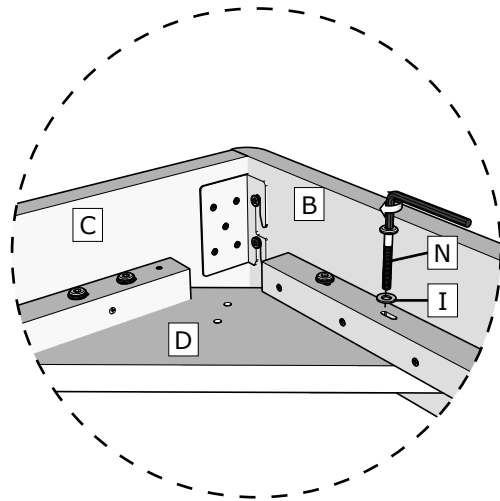
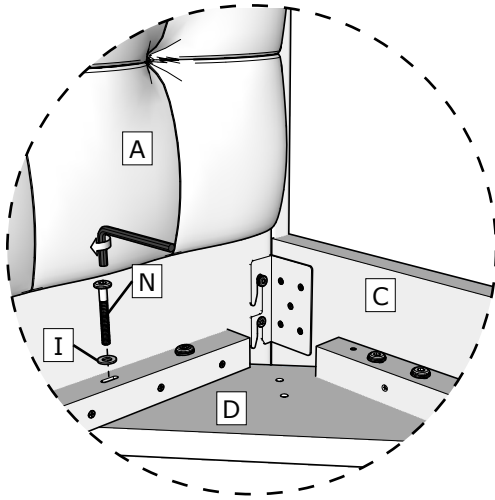
M6 x 50mm

I Flat washer

x 16



M6

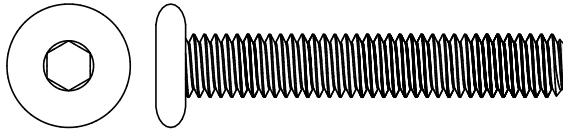


Attach Corner Block **D** to Bed Assembly by using Small Bolt - Long **N** and Flat Washer **I**

BED ASSEMBLY STEP 3

P Large Bolt - Long

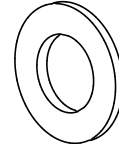
x 8



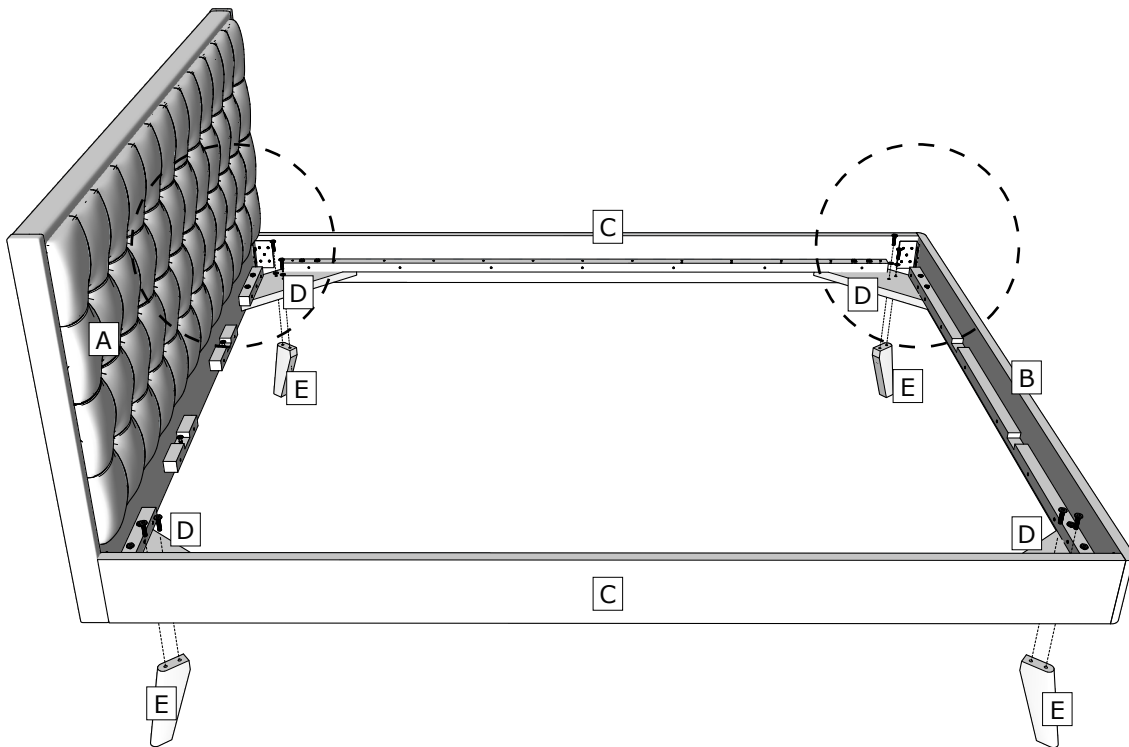
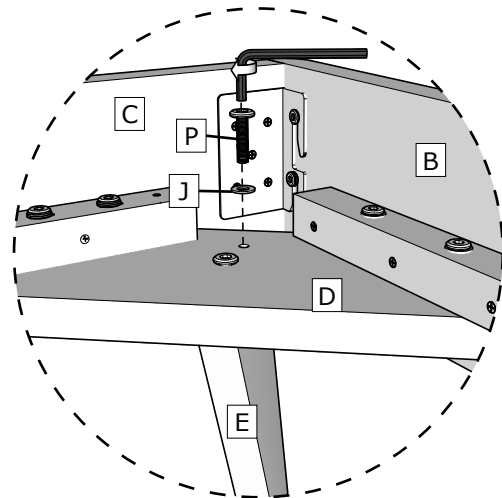
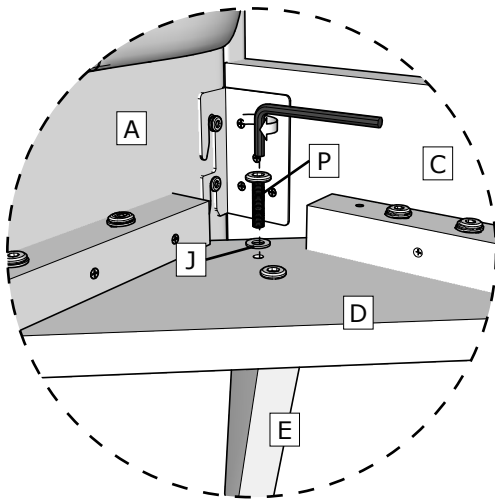
M8 x 50mm

J Flat washer - Big

x 8

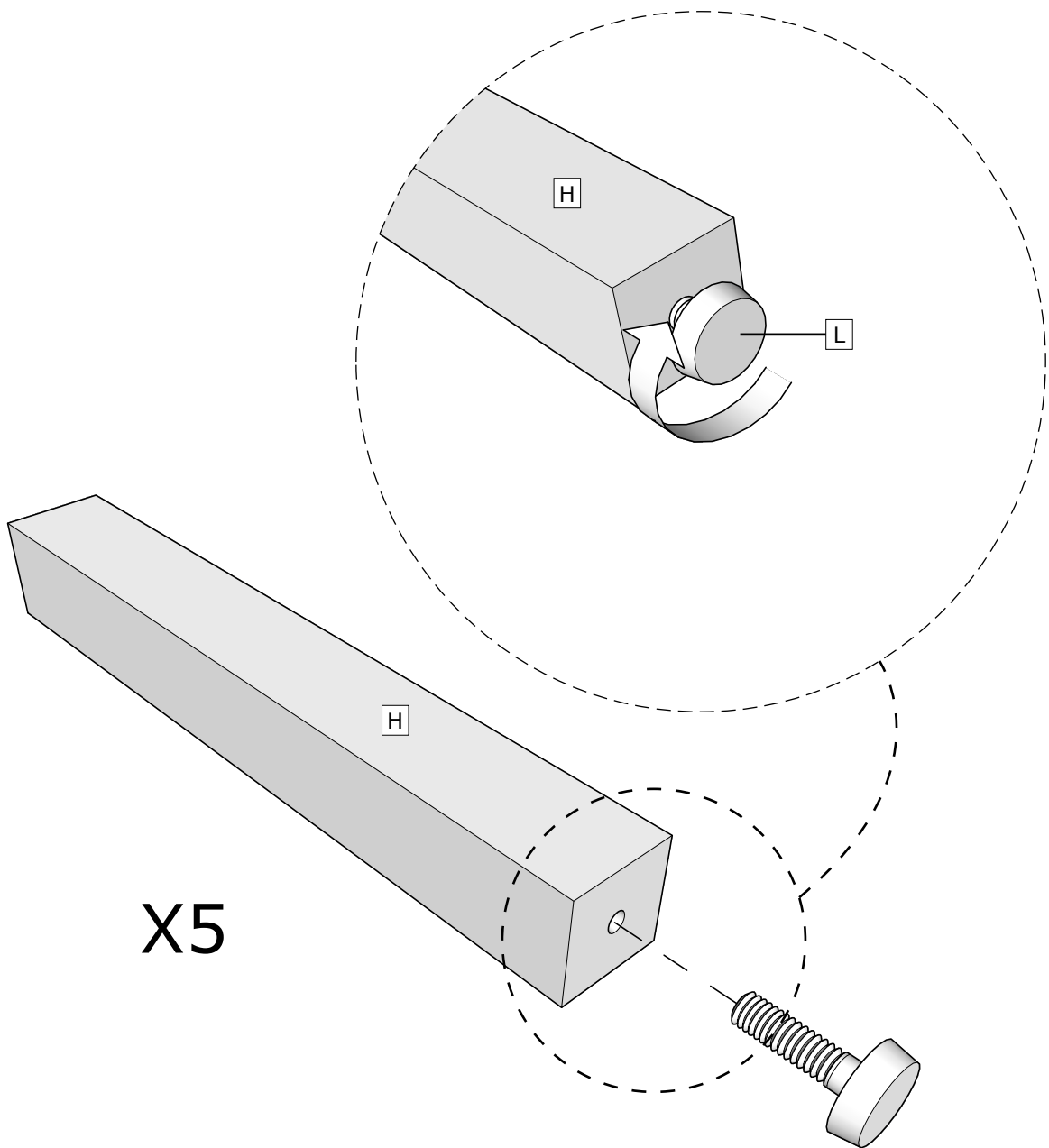
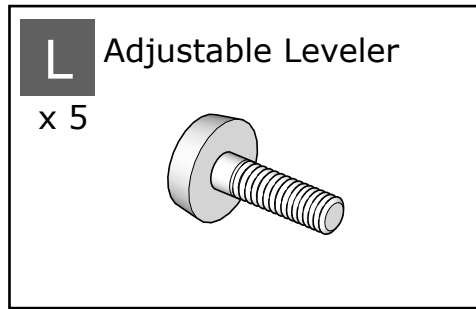


M8



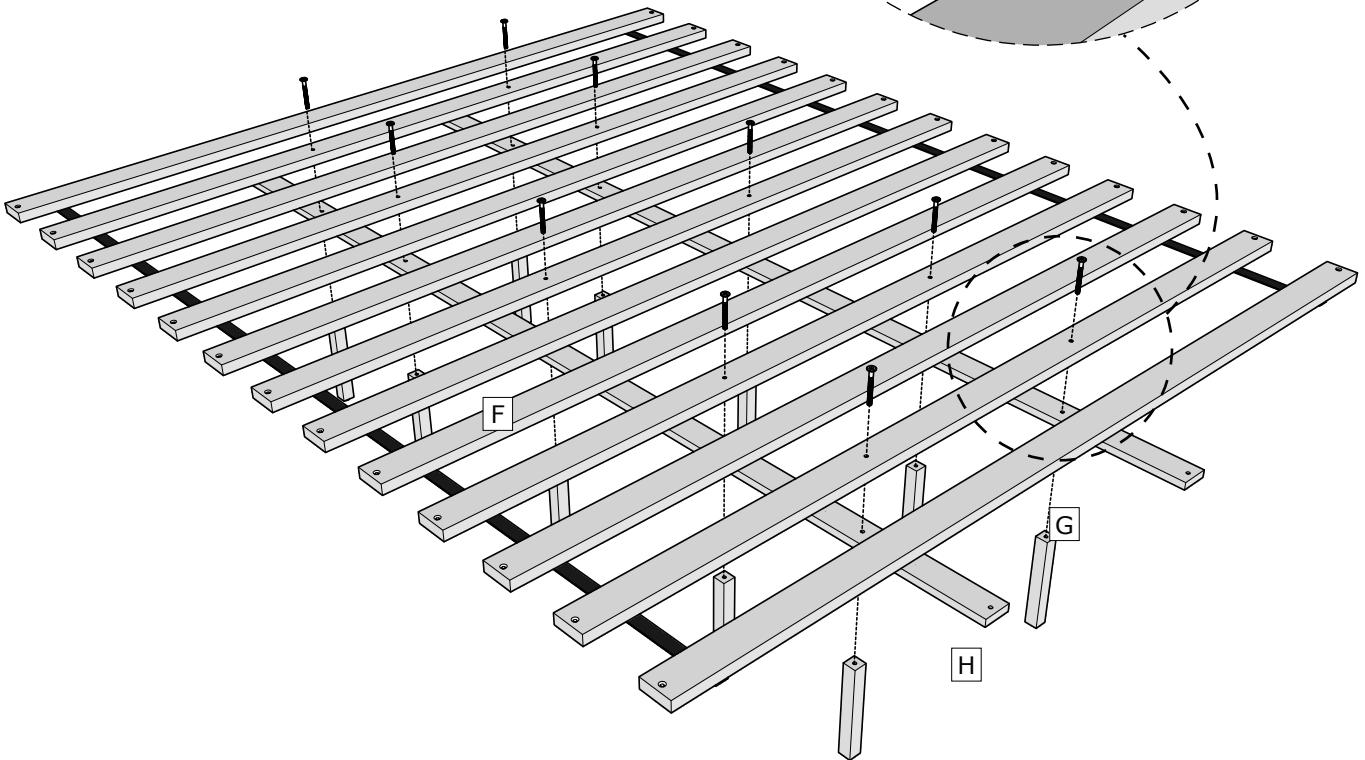
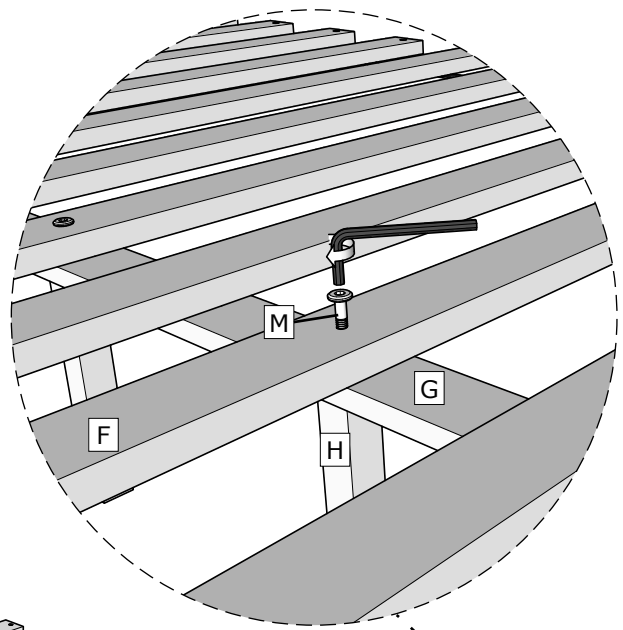
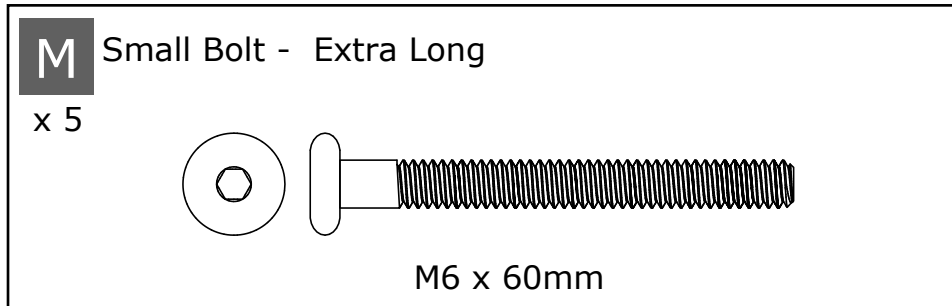
Attach Foot **E** to Corner Block **D** using Large Bolt - Long **P** and Flat Washer - Big **J**
Repeat process to the remaining Foot Assembly

BED ASSEMBLY STEP 4



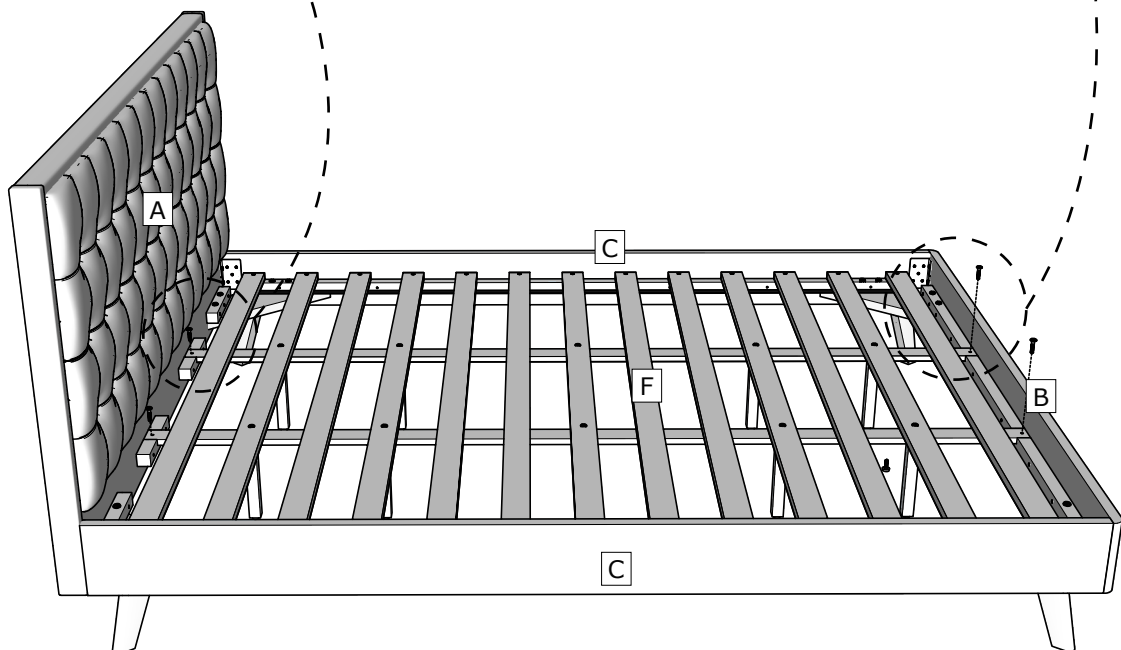
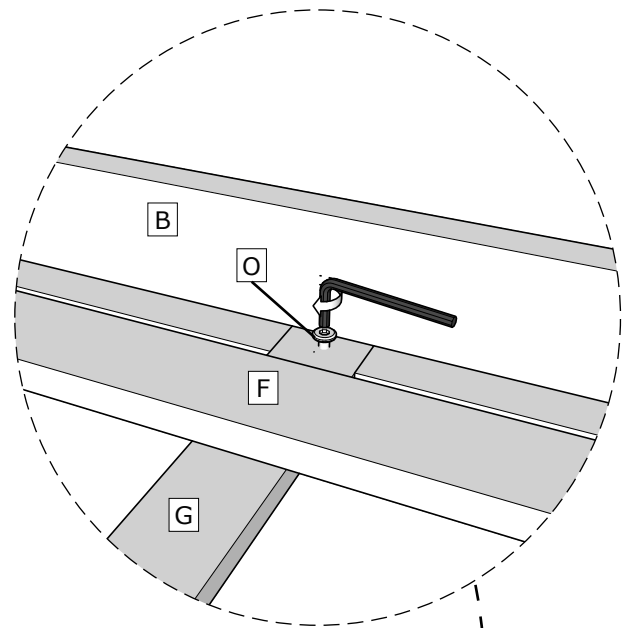
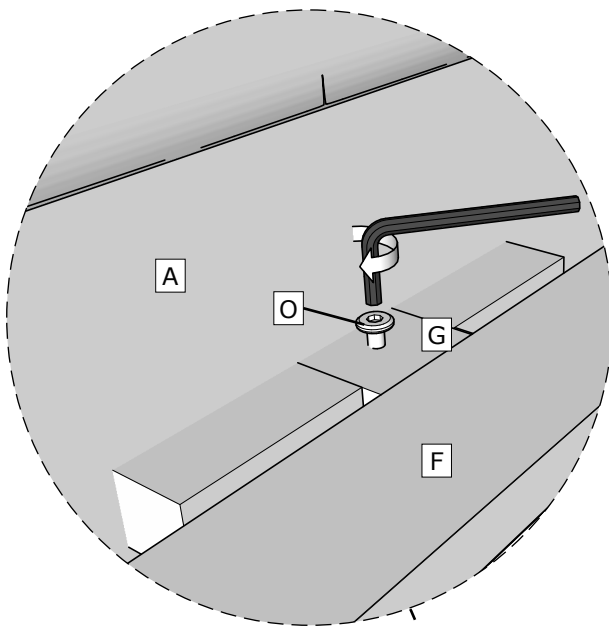
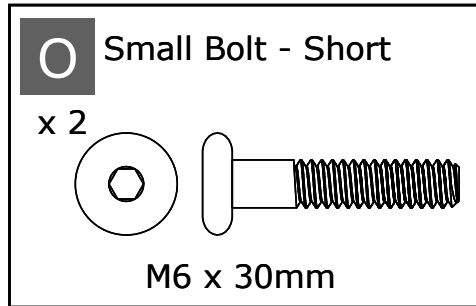
Screw the Adjustable Leveler **L** into the bottom of Support Leg **H**
Repeat process to the remaining Support Leg **H**

BED ASSEMBLY STEP 5



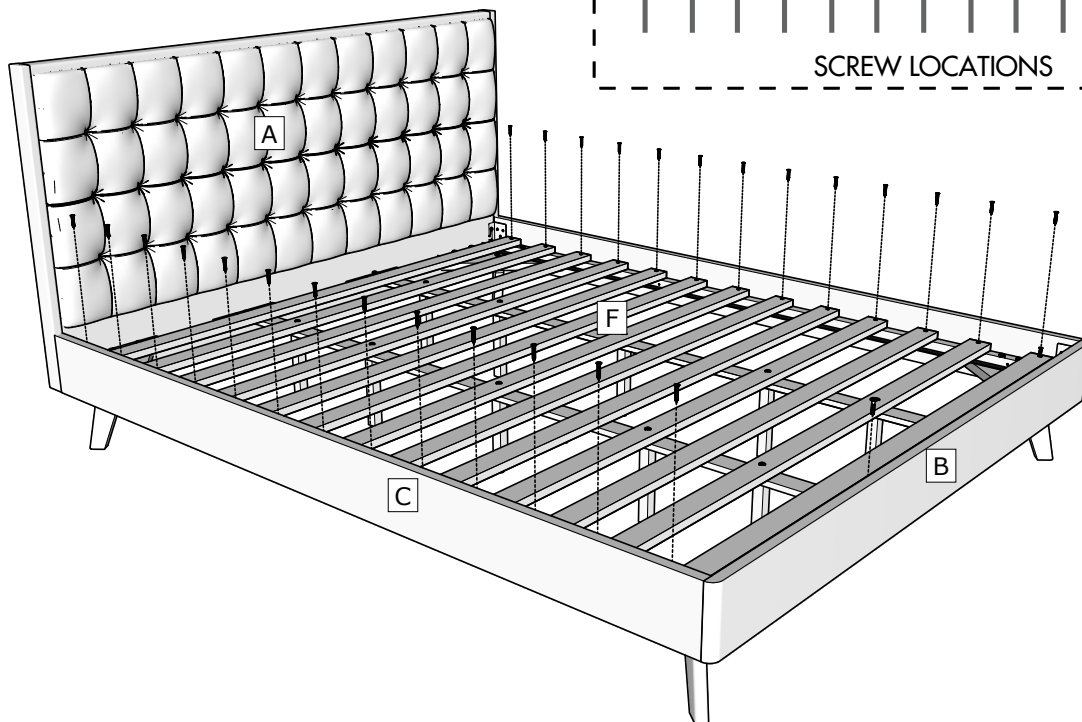
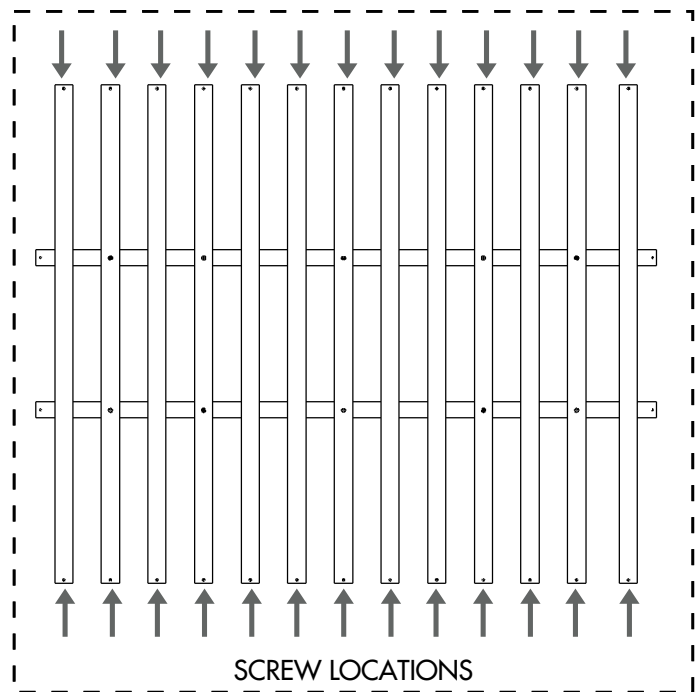
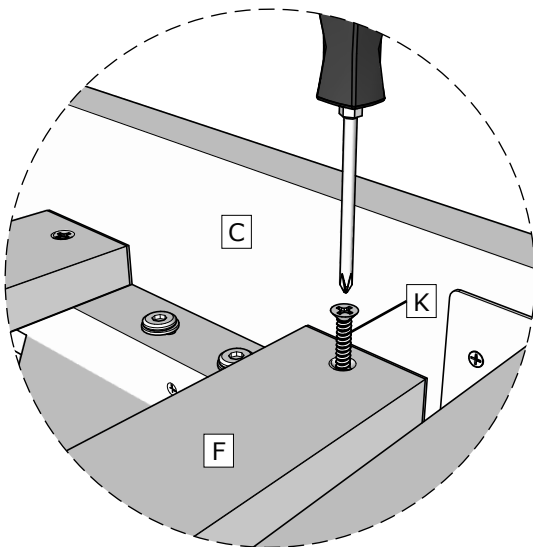
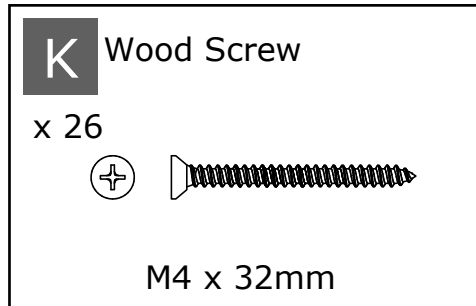
Attach Bed Slat **F** to Center Rail Slat **G** and Support Leg **H** with Small Bolt - Extra Long **M**s shown.

BED ASSEMBLY STEP 6



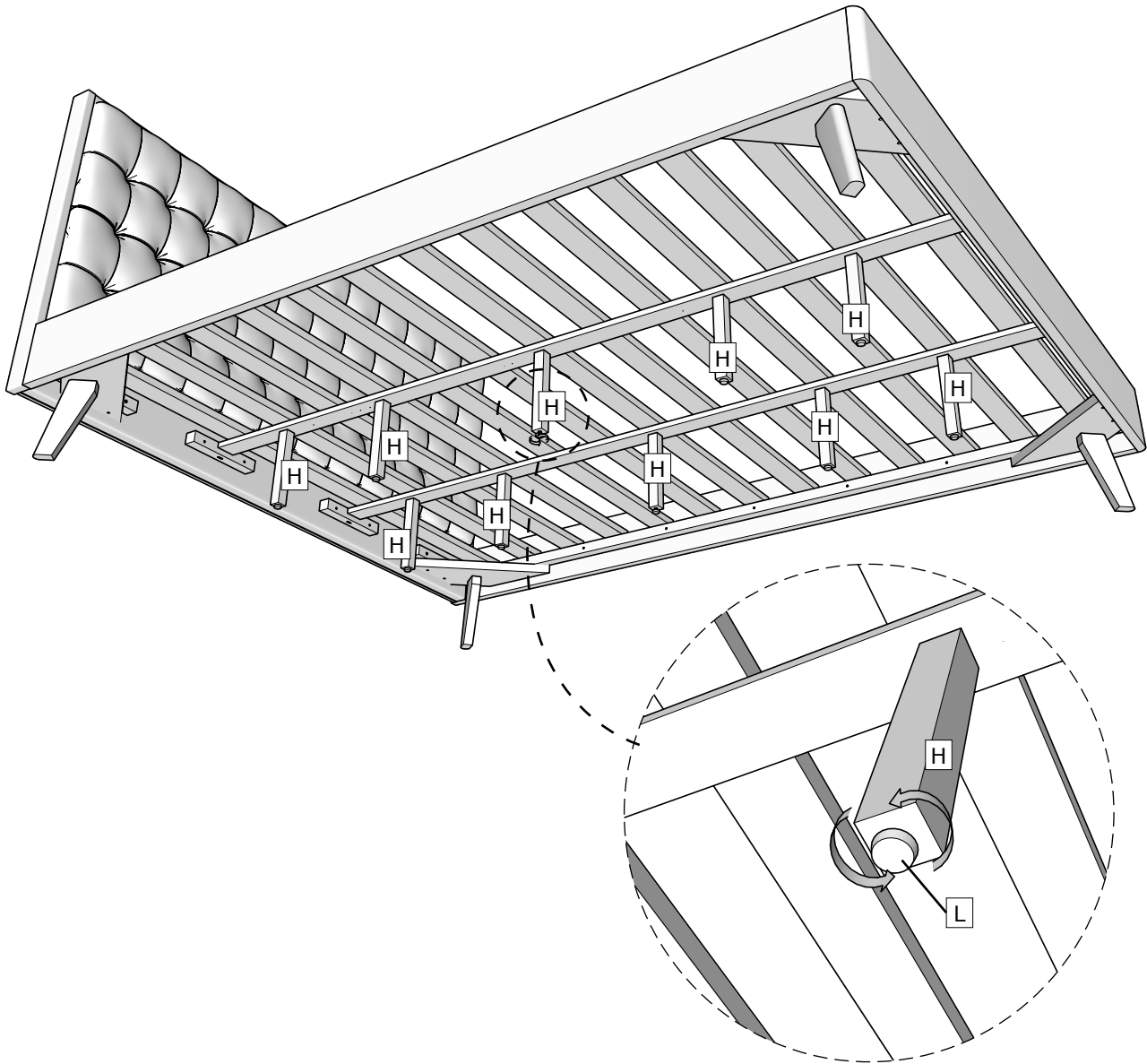
Secure Assembled Bed Slat to Assembled Bed with Small Bolt - Short **O** as shown.

BED ASSEMBLY STEP 7



Attach Assembled Bed Slat to Side Rail **C** in twenty-six locations on the sides with Wood Screw **K**

BED ASSEMBLY STEP 8



WARNING!

- Ensure the adjustable feet are perpendicular to the floor before using the bed. Rotate them clockwise or counterclockwise until firmly against the floor.

Note: *The adjustable feet rotate to fit the floor; one may need clockwise rotation while the other counterclockwise, depending on leveling and assembly.*

- Do not drag or push the bed frame. To ensure safe moving, always use two people to lift and re-position the bed frame. Avoid dragging or pushing it across the floor to prevent damage to the legs, slats, and center support legs.