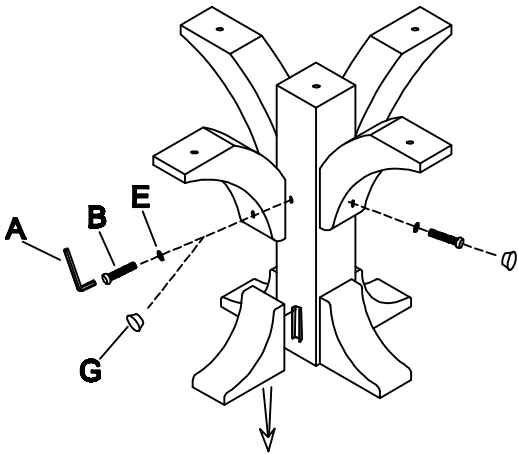


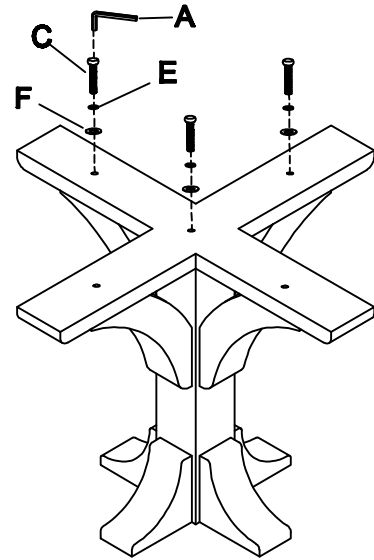
ASSEMBLY INSTRUCTION

8065-15

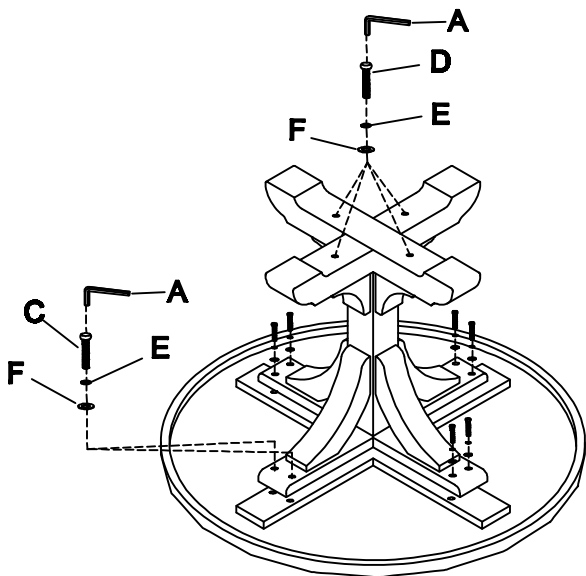
STEP1



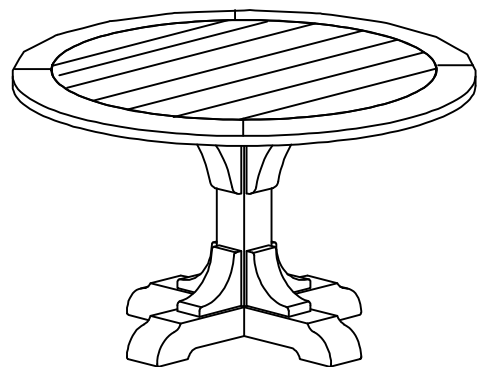
STEP2



STEP3



FINAL



NO	DRAWING	SIZE	QTY	NO	DRAWING	SIZE	QTY
A		4mm	1pc	E		φ 1/4"	21pcs
B		φ 1/4"*2"	4pcs	F		φ 1/4"*16MM	17pcs
C		φ 1/4"*2-1/4"	13pcs	G		φ 13x9.5mm	4pcs
D		φ 1/4"*3-1/4"	4pcs				