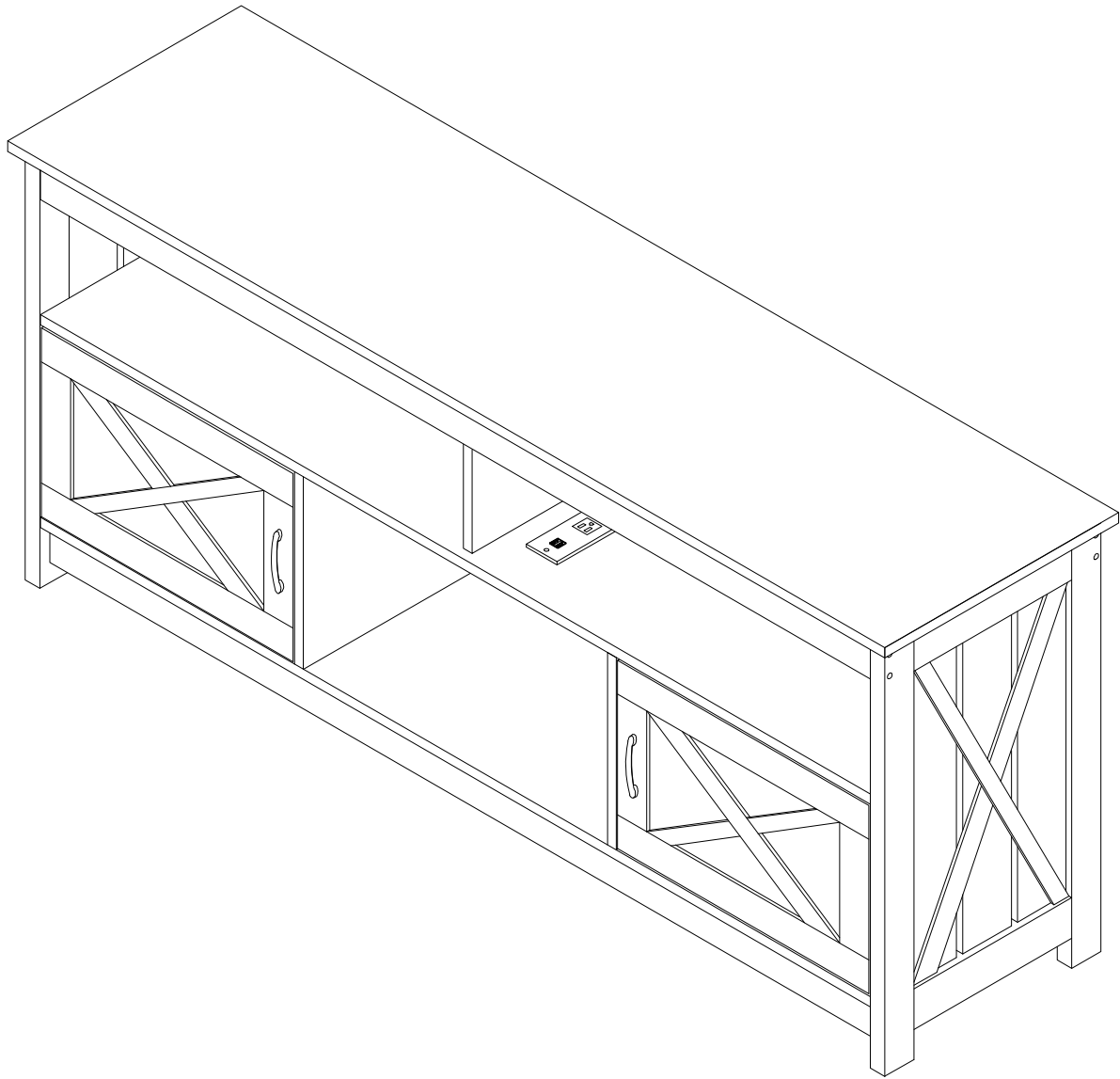


# DGHR-V3

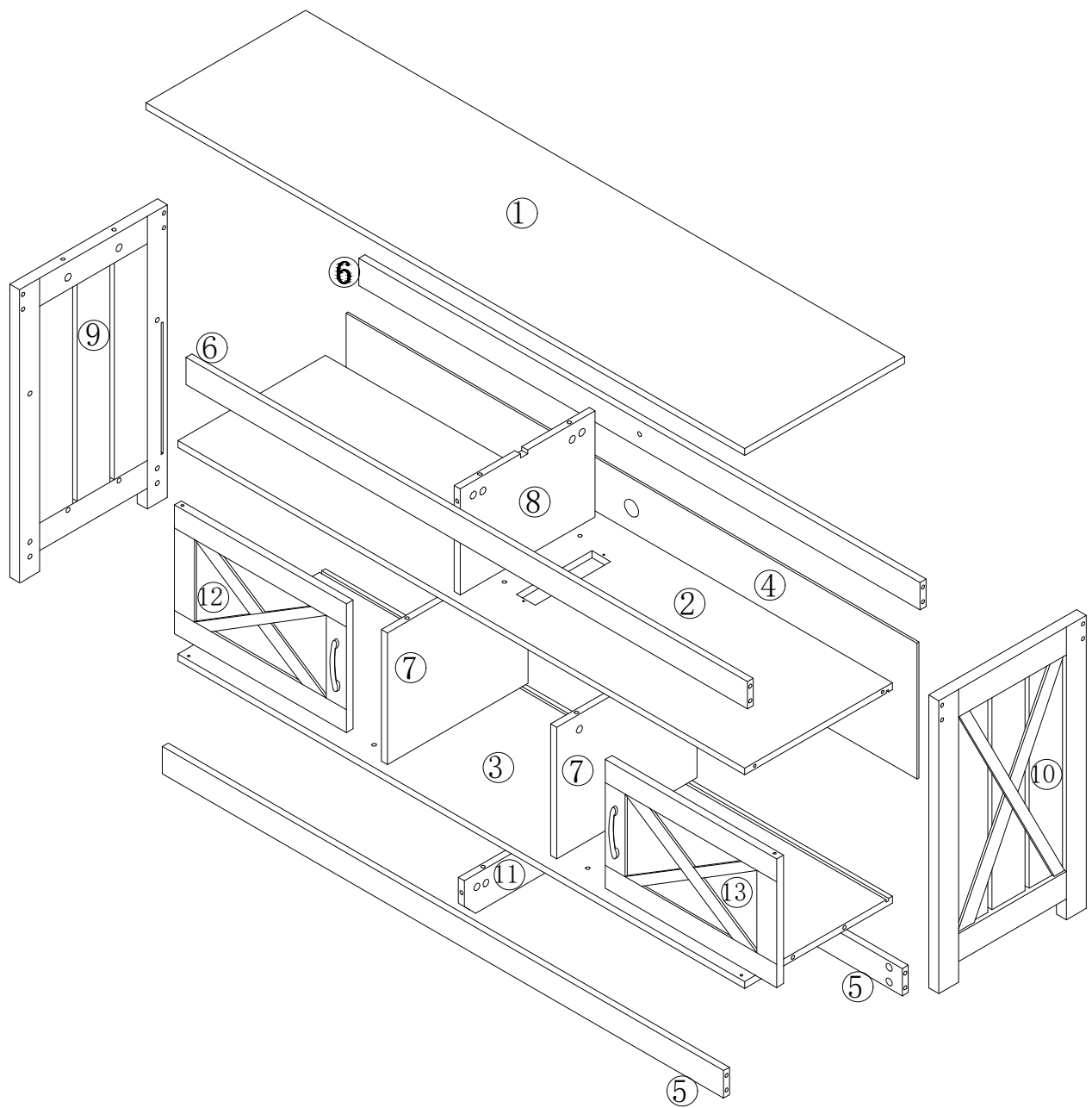
FTLFTS-6086

FTLFTS-6088

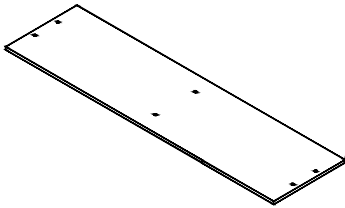
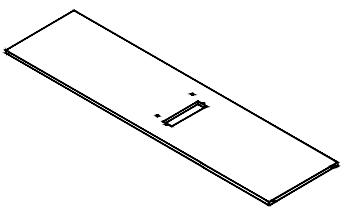
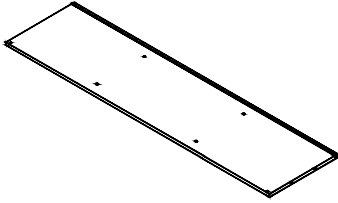
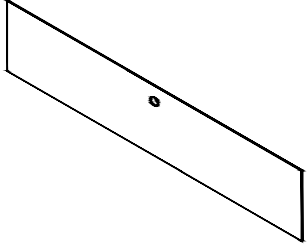
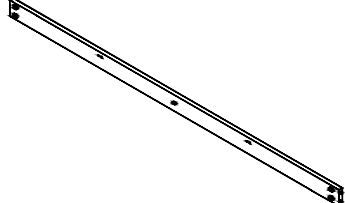
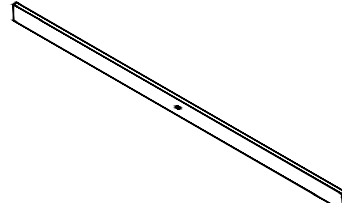
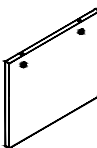
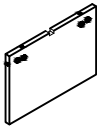
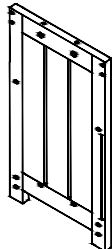
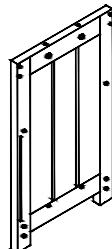
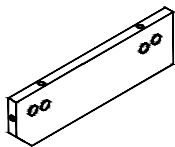
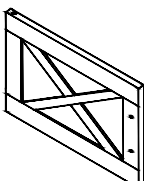
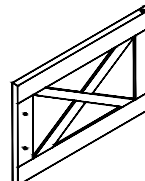





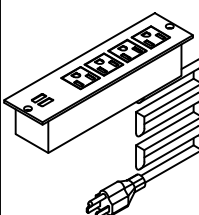












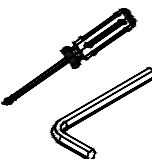


# FTLFTS-6086/6088

IMPORTANT, RETAIN FOR FUTURE REFERENCE: READ CAREFULLY

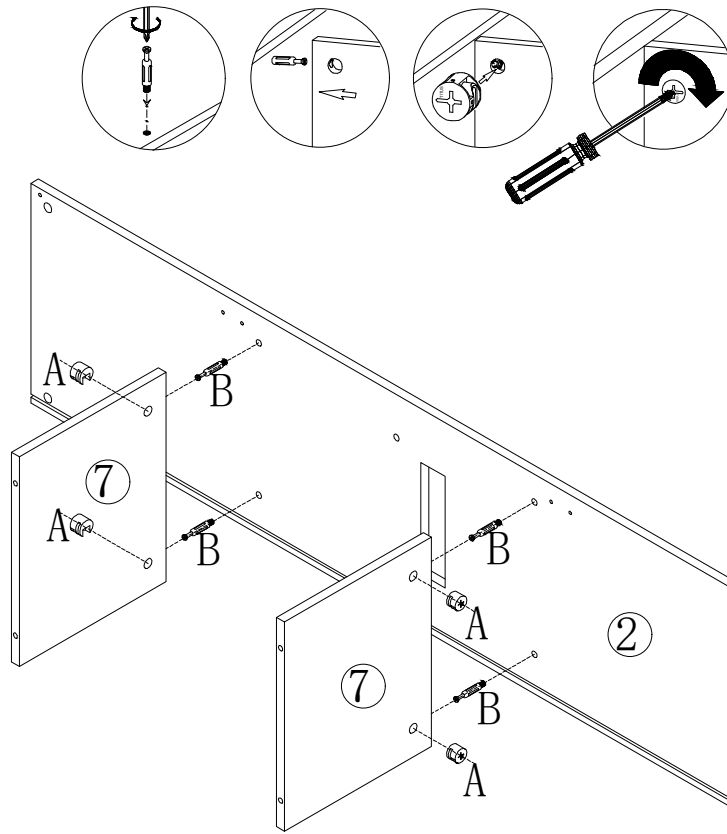


# FTLFTS-6086/6088

|  |   |   |   |  |  |   |   |
|--|---|---|---|--|--|---|---|
| <p>1</p>  <p>1PCS</p>  | <p>2</p>  <p>1PCS</p>    | <p>3</p>  <p>1PCS</p>   | <p>4</p>  <p>1PCS</p>              |  |  |   |   |
| <p>5</p>  <p>2PCS</p>  | <p>6</p>  <p>2PCS</p>    | <p>7</p>  <p>2PCS</p>   | <p>8</p>  <p>1PCS</p>              |  |  |   |   |
| <p>9</p>  <p>1PCS</p>   | <p>10</p>  <p>1PCS</p> | <p>11</p>  <p>1PCS</p>   | <p>12</p>  <p>1PCS</p>            | <p>13</p>  <p>1PCS</p>            |  |   |   |
| <p>A</p>  <p>32PCS</p>  | <p>B</p>  <p>32PCS</p> | <p>C</p>  <p>M3. 5*14</p> <p>32PCS</p>   | <p>D</p>  <p>M7*38</p> <p>6PCS</p> | <p>E</p>  <p>M7*48</p> <p>8PCS</p> | <p>F</p>  <p>1PCS</p> | <p>G</p>  <p>4PCS</p>  |   |
| <p>H</p> <p>H1</p>  <p>H2</p>  <p>2PCS</p> | <p>I</p>  <p>4PCS</p>  | <p>J</p> <p>J1</p>  <p>2PCS</p> <p>J2</p>  <p>M4*20</p> <p>4PCS</p> | <p>K</p>  <p>6PCS</p>              | <p>L</p>  <p>8PCS</p>               | <p>M</p>  <p>8PCS</p> | <p>N</p>  <p>O</p>  <p>x6</p>  <p>x6</p> |  |

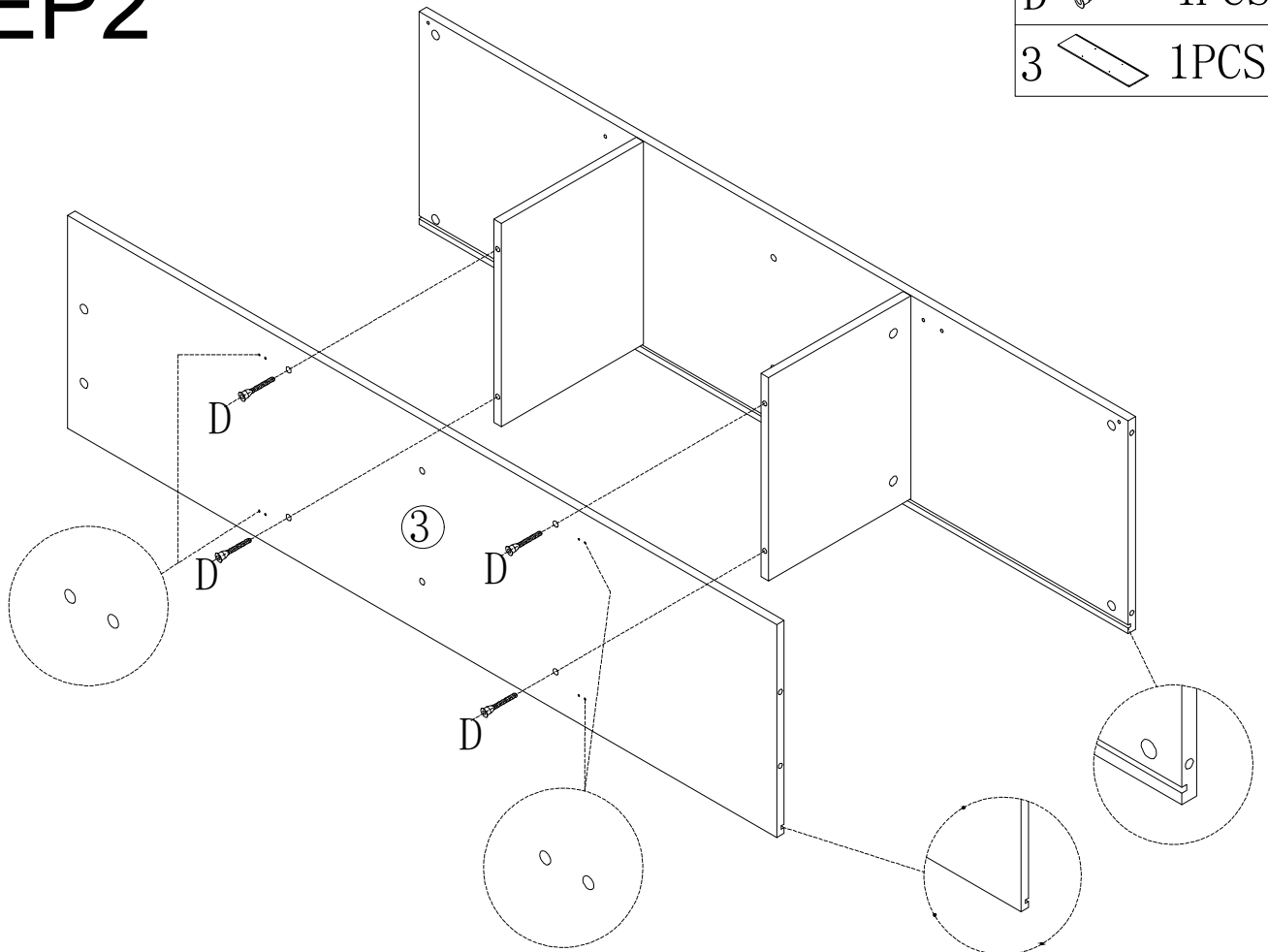
# FTLFTS-6086/6088

## STEP 1





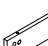
|   |  |      |
|---|--|------|
| A |  | 4PCS |
| B |  | 4PCS |
| 2 |  | 1PCS |
| 7 |  | 2PCS |

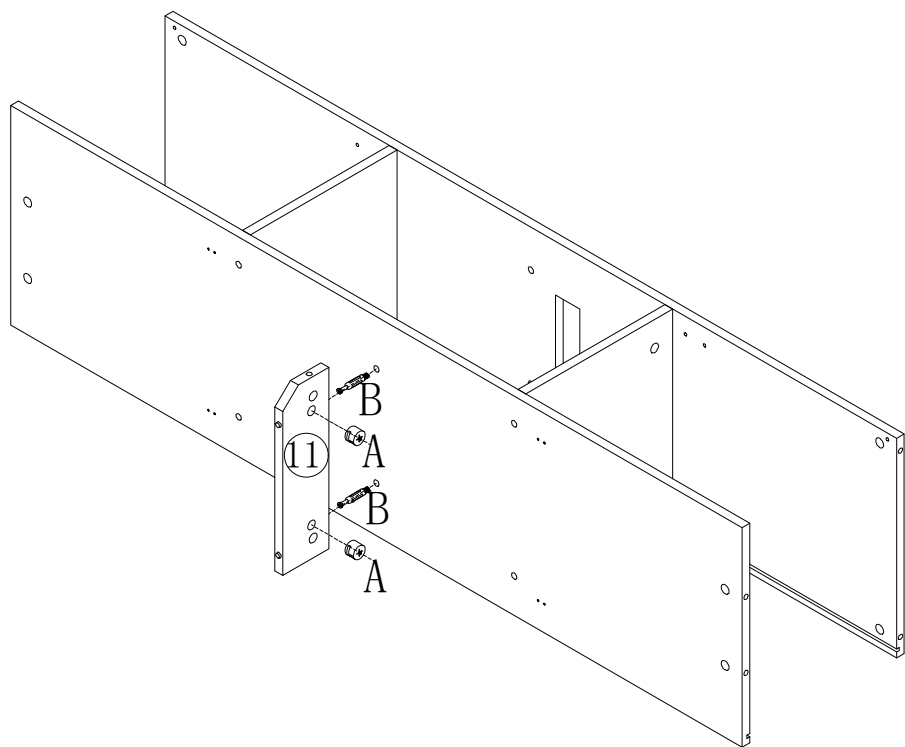
## STEP 2






|   |  |      |
|---|--|------|
| D |  | 4PCS |
| 3 |  | 1PCS |

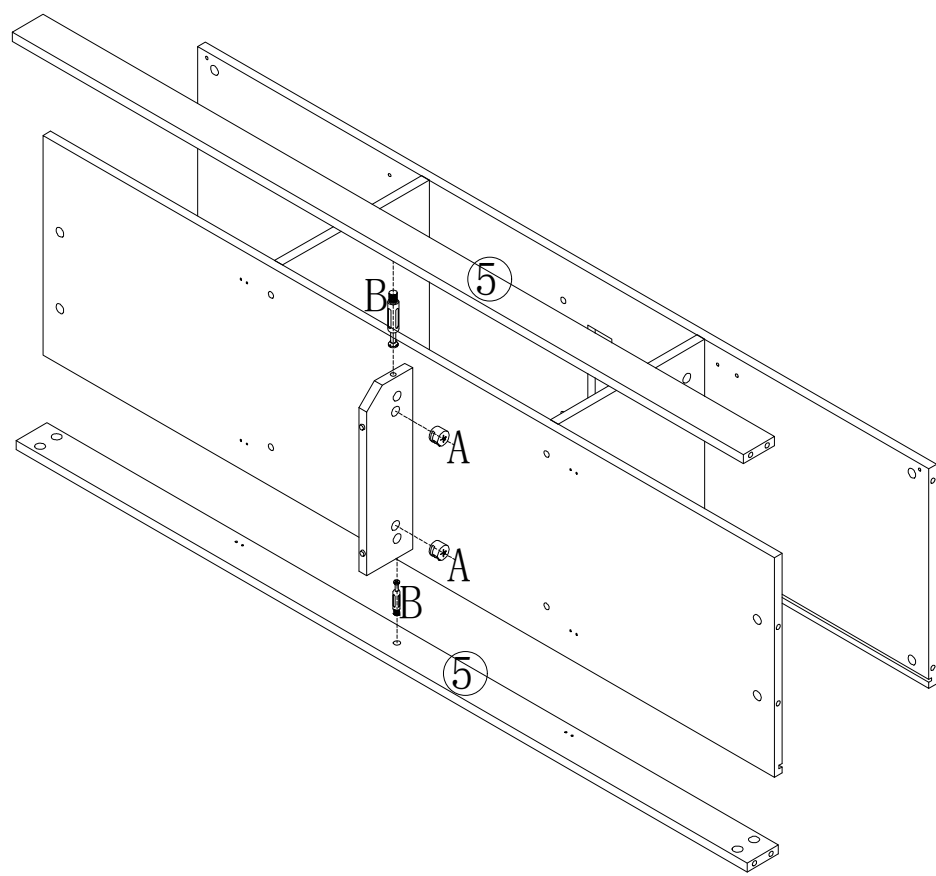
# STEP3

- A  2PCS
- B  2PCS
- 11  1PCS





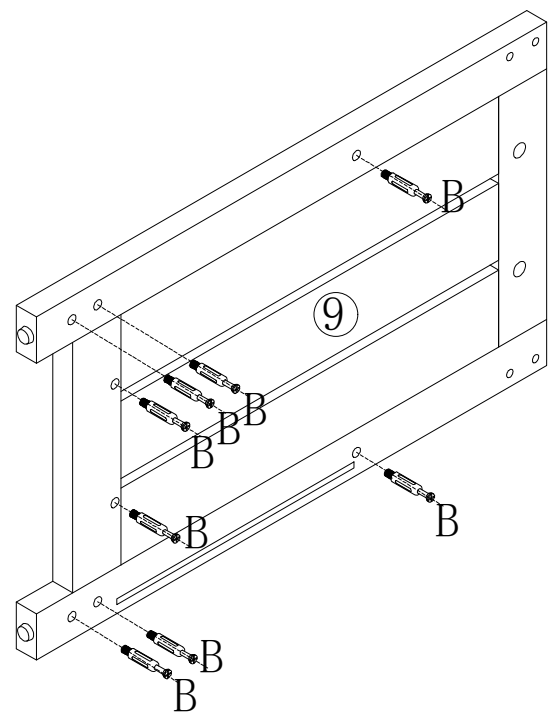
# STEP4

- A  2PCS
- B  2PCS
- 5  2PCS



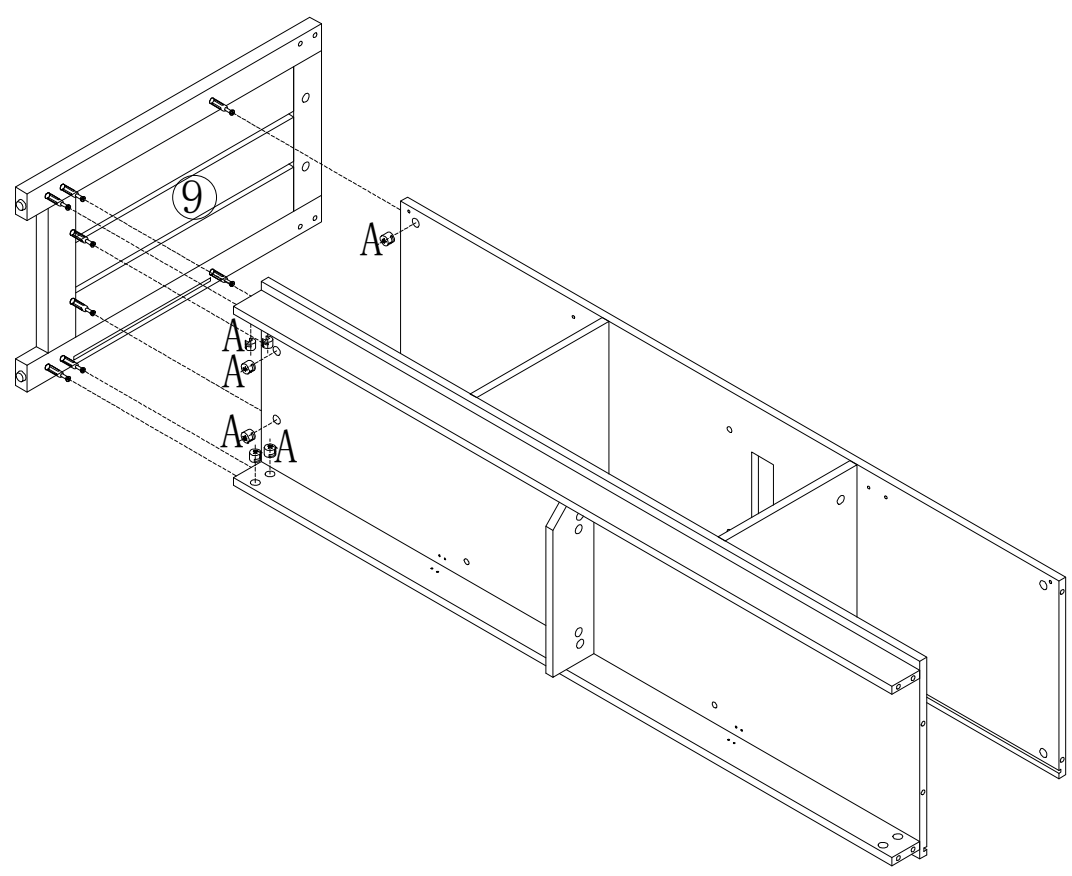
# STEP5

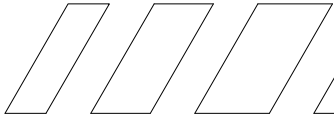
|   |   |      |
|---|---|------|
| B |  | 8PCS |
| 9 |  | 1PCS |



# STEP6


|   |   |      |
|---|---|------|
| A |  | 8PCS |
|---|---|------|

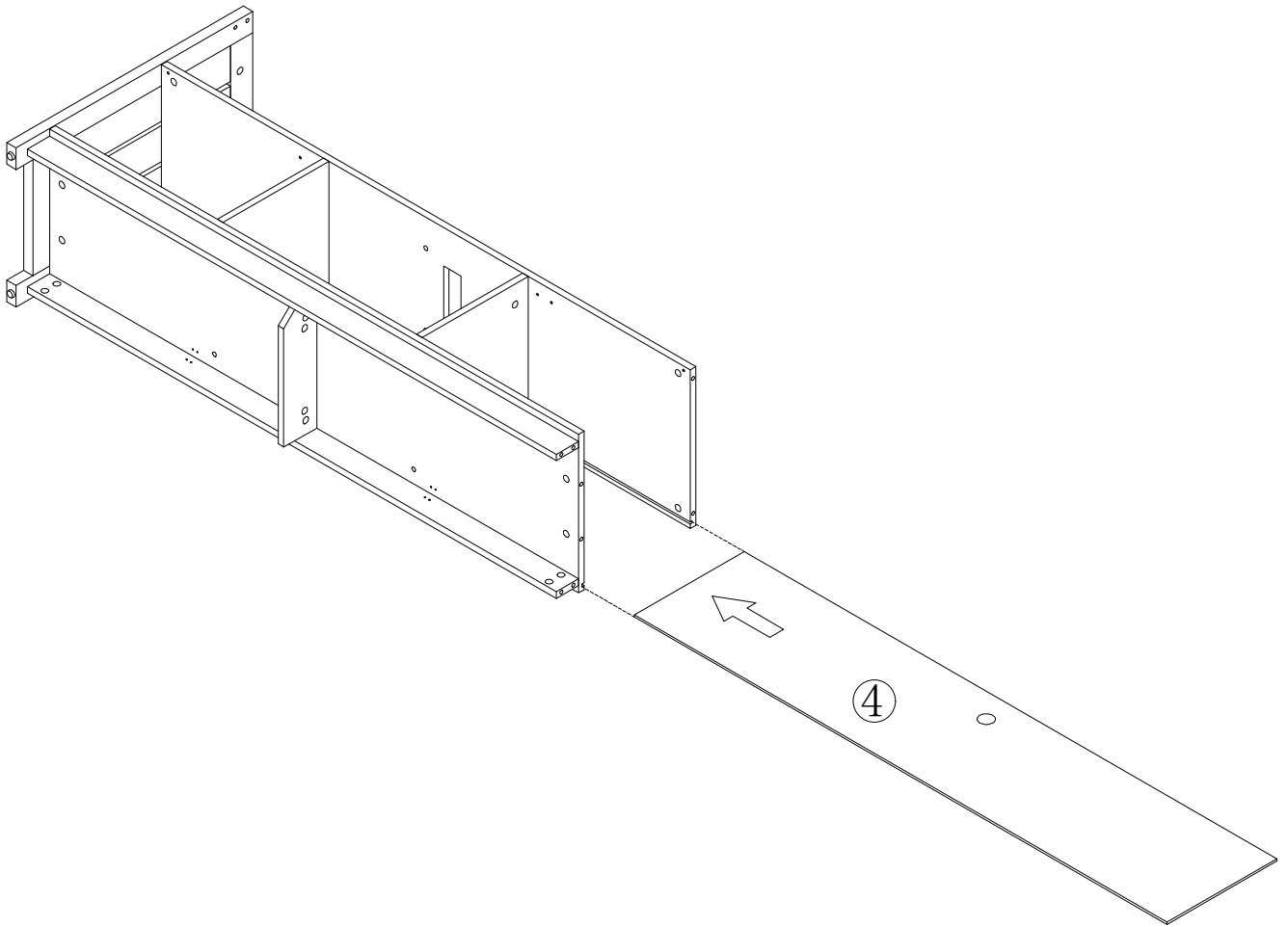




FTLFTS-6086/6088



# STEP 7

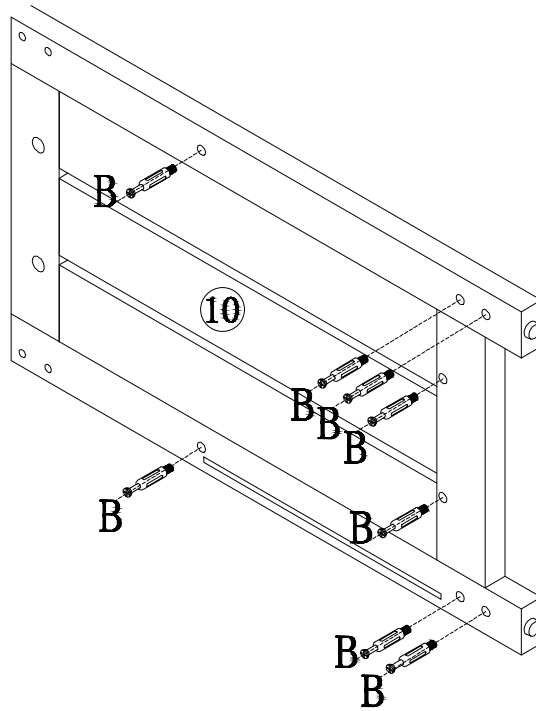
4  1PCS



# FTLFTS-6086/6088

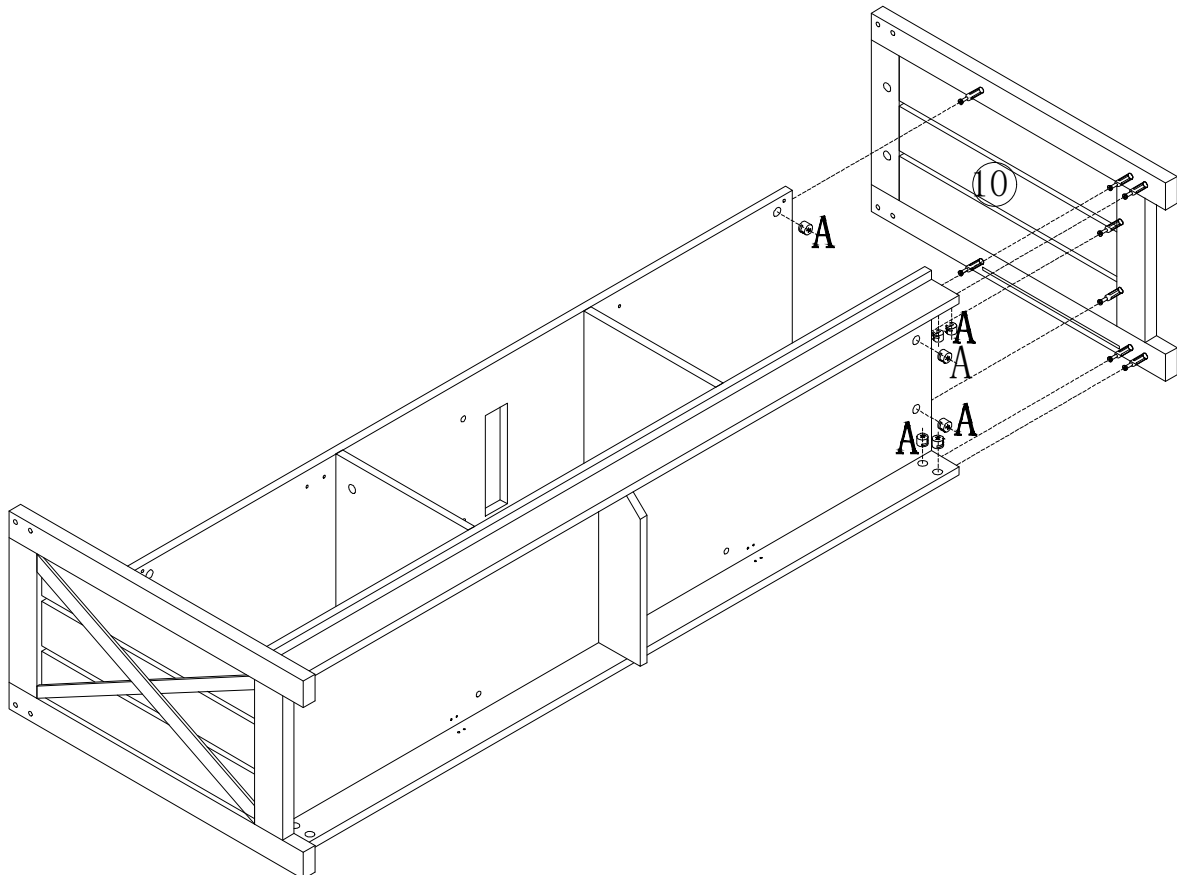
## STEP8

|    |   |      |
|----|---|------|
| B  |  | 8PCS |
| 10 |  | 1PCS |



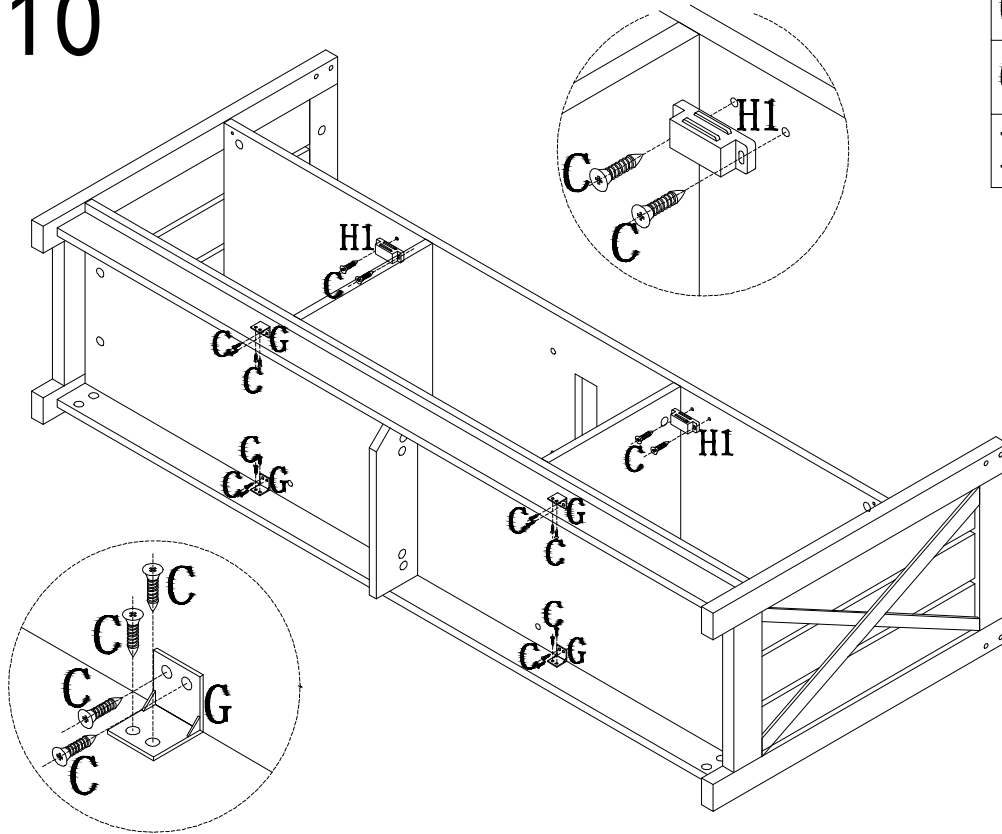
## STEP9


|   |   |      |
|---|---|------|
| A |  | 8PCS |
|---|---|------|



# FTLFTS-6086/6088

## STEP10

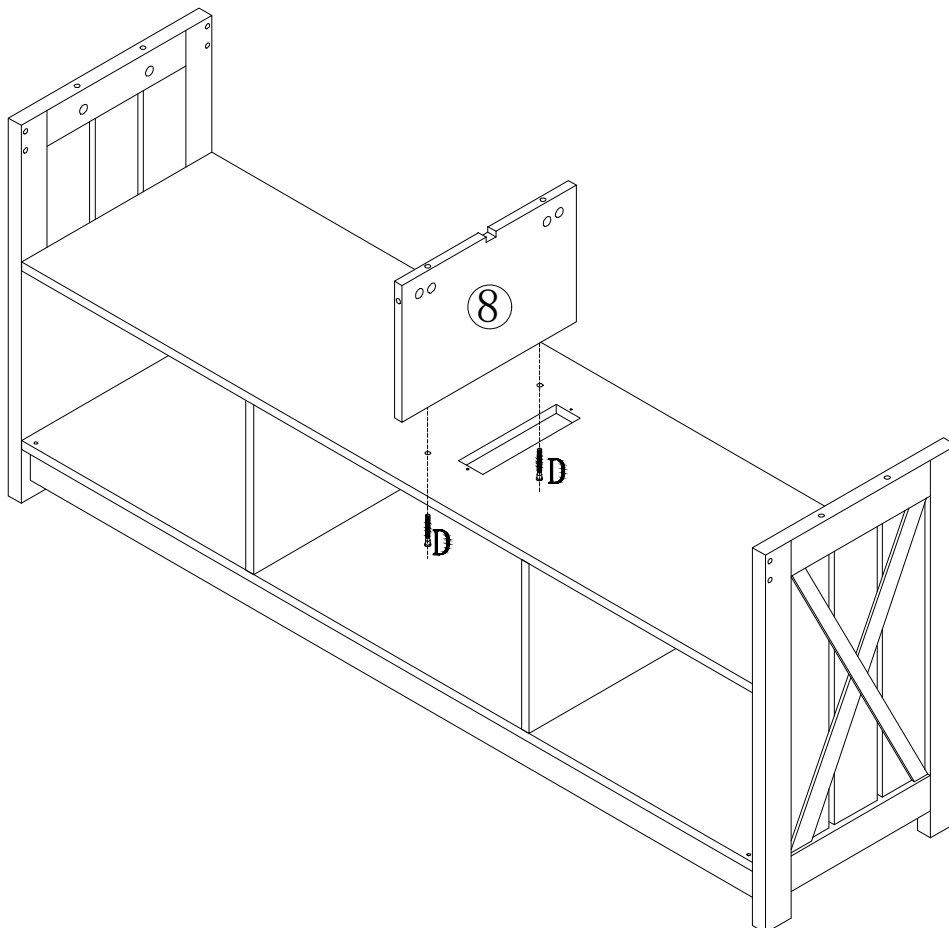



C  20PCS

G  4PCS

H1  2PCS

## STEP11


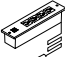


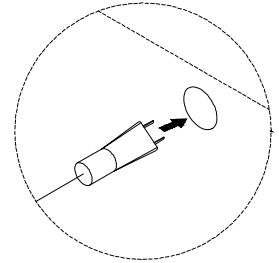
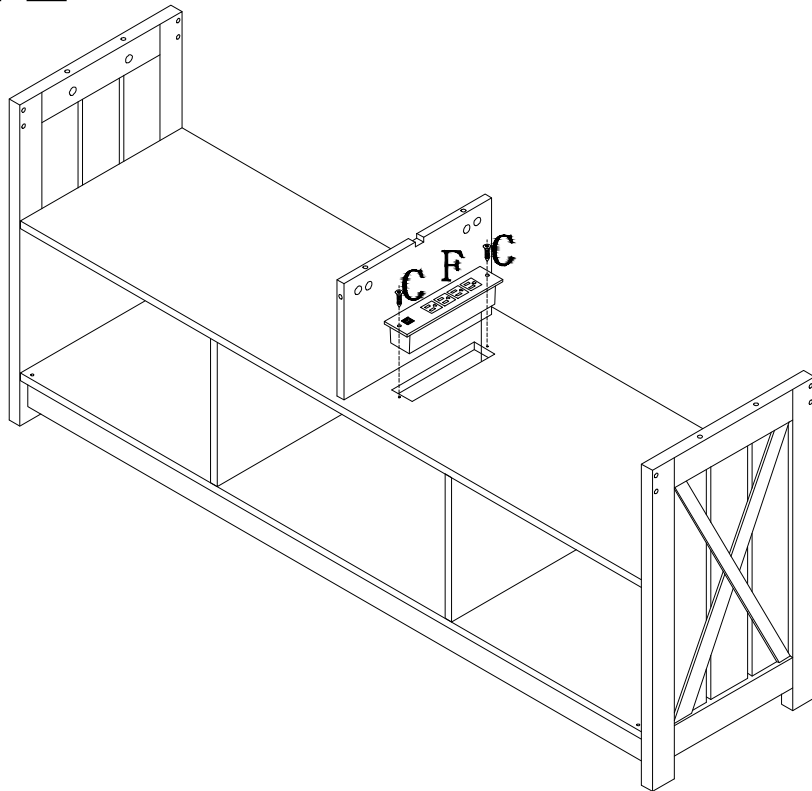
D  2PCS

8  1PCS




# FTLFTS-6086/6088

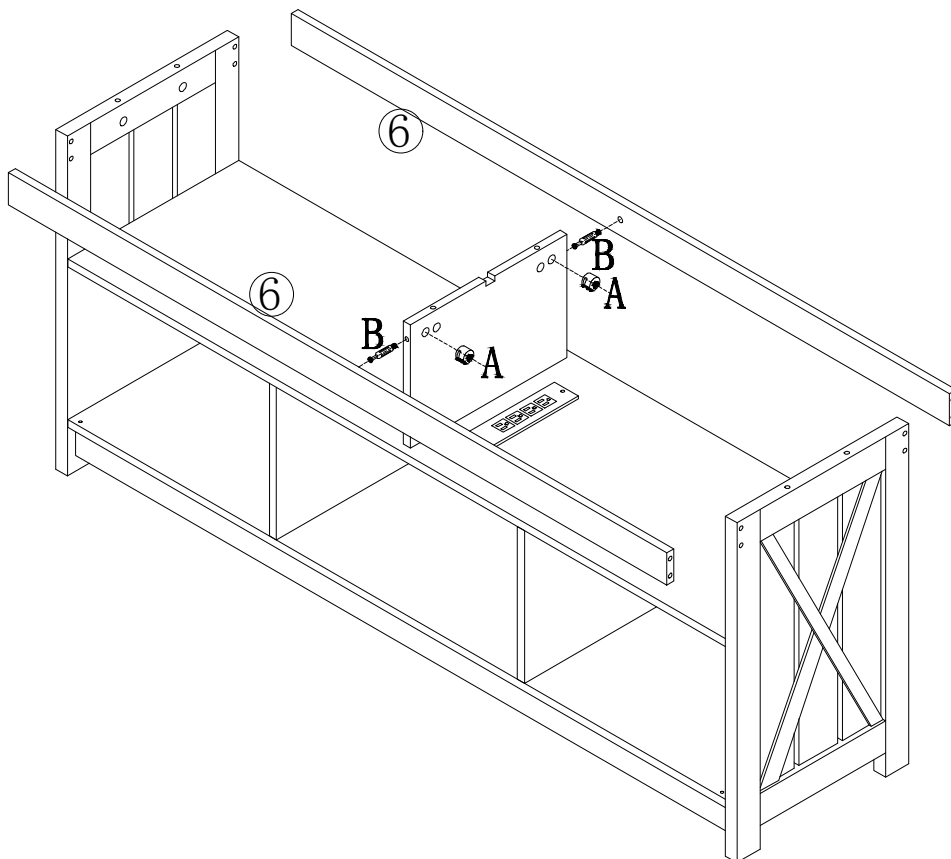
## STEP12

|   |   |      |
|---|---|------|
| C |  | 2PCS |
| F |  | 1PCS |



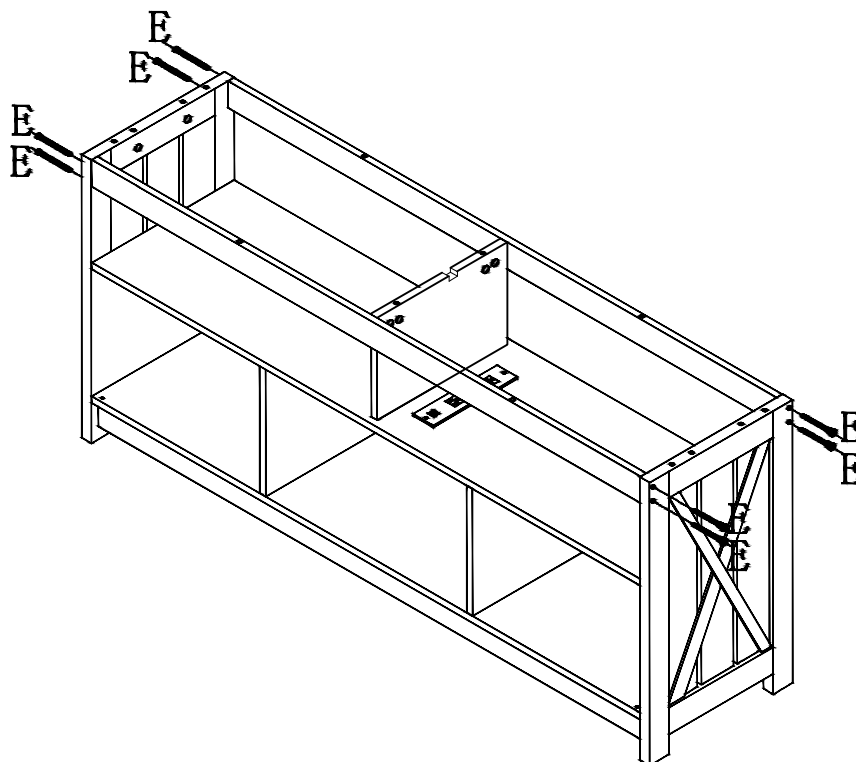
## STEP13

|   |   |      |
|---|---|------|
| A |  | 2PCS |
| B |  | 2PCS |
| 6 |  | 2PCS |



# STEP14

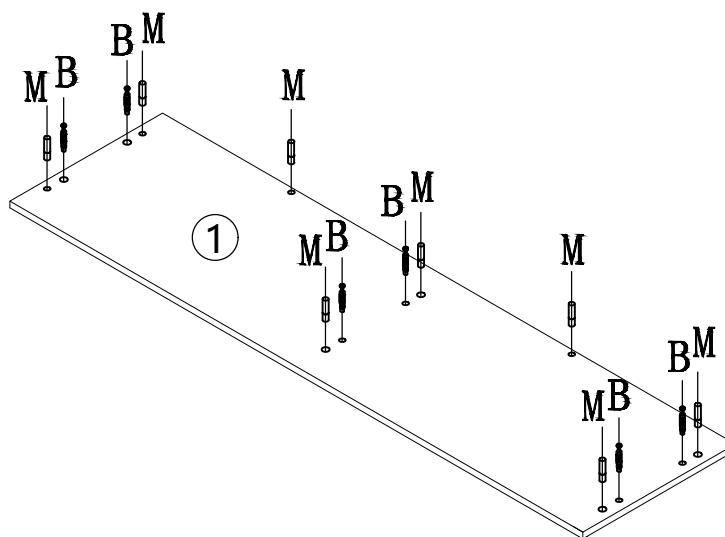
E  8PCS



# STEP15

B  6PCS

M  8PCS

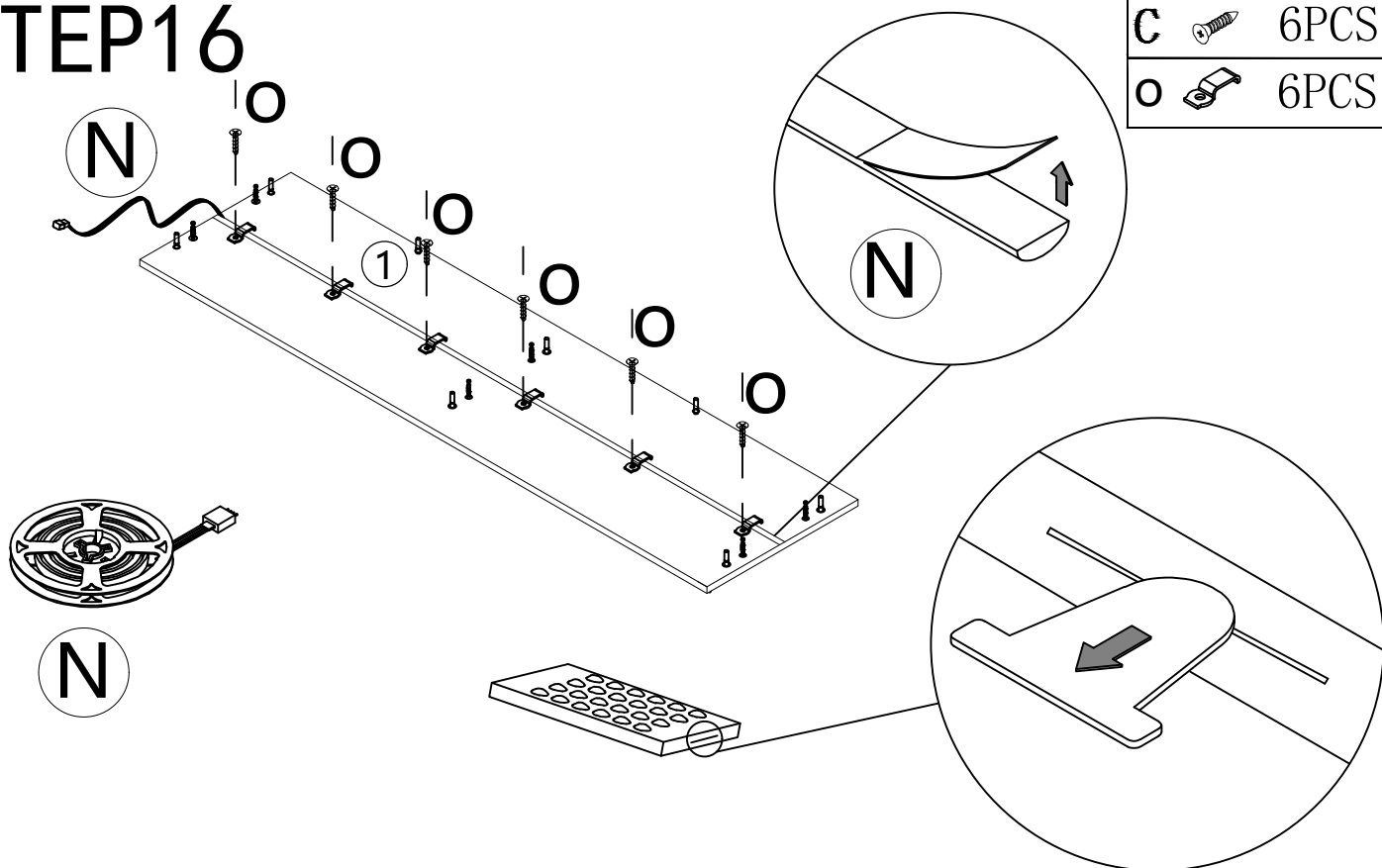


# FTLFTS-6086/6088

## STEP 16

C  6PCS

O  6PCS



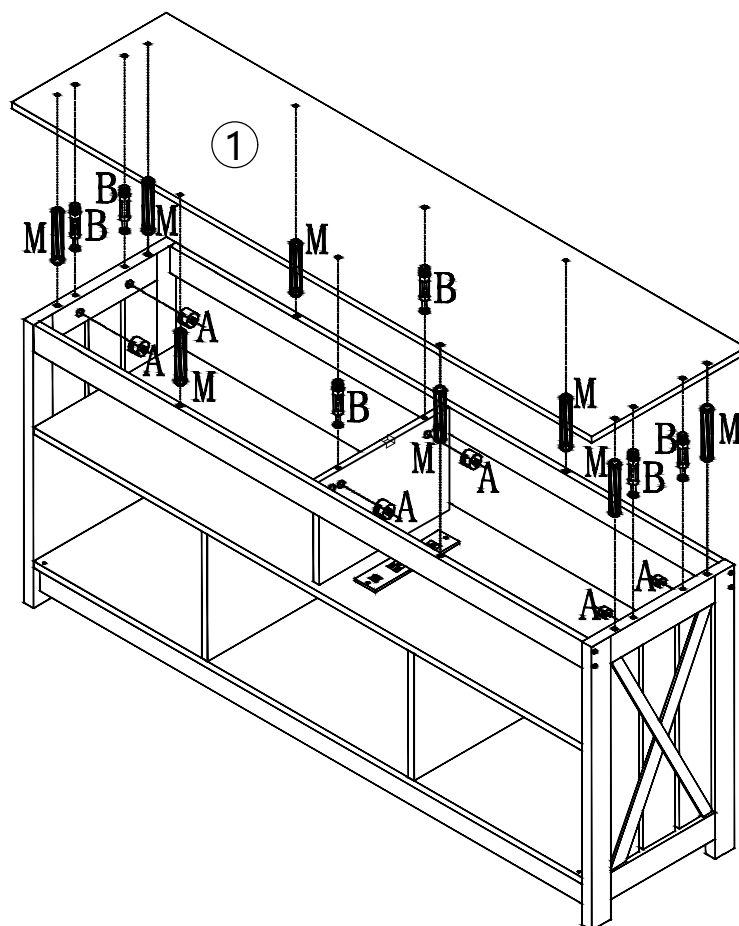
## STEP 17

A  6PCS

B  6PCS








M  8PCS

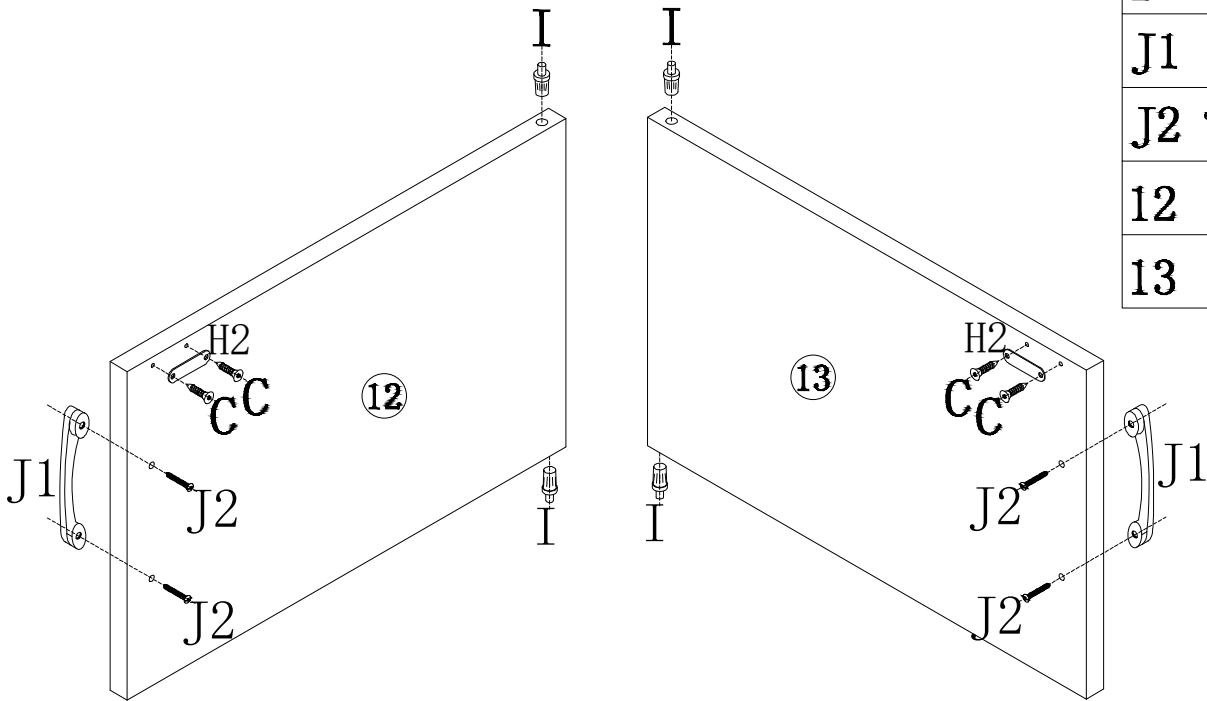
I  1PCS



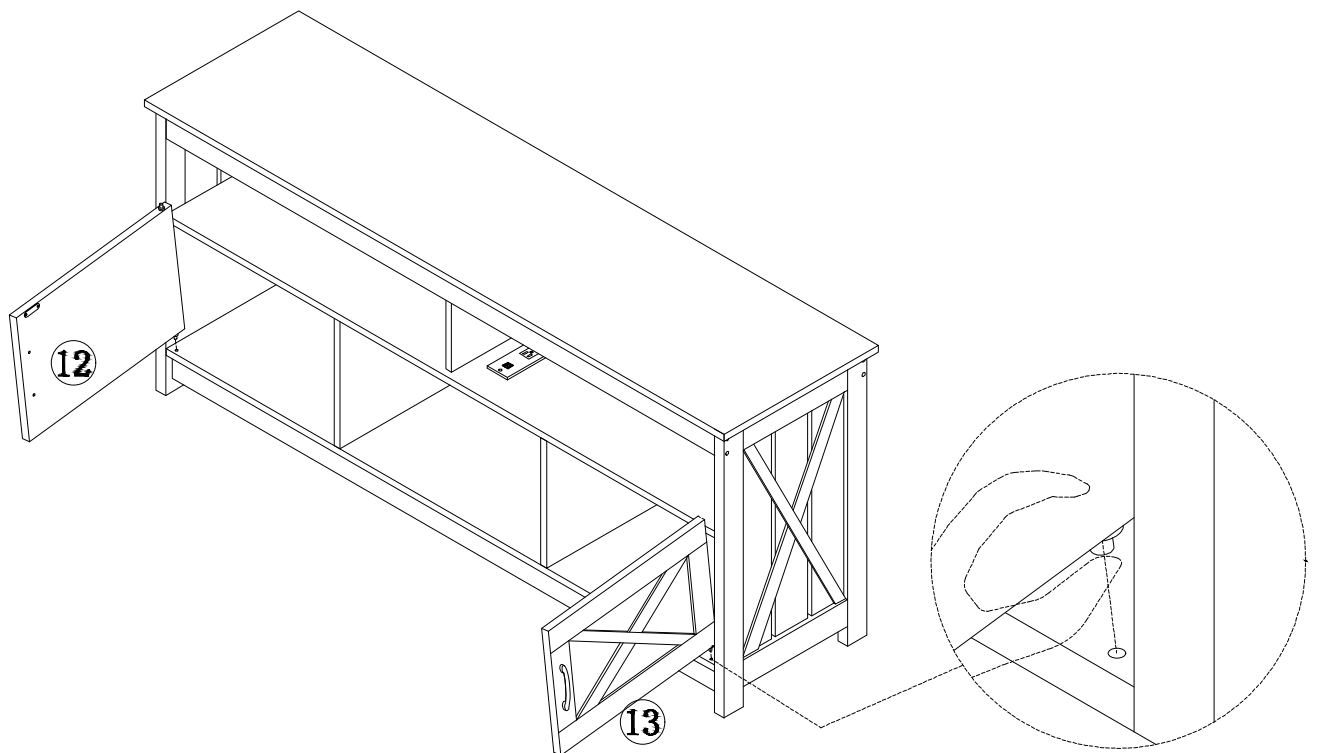
# FTLFTS-6086/6088

## STEP18

|    |   |      |
|----|---|------|
| C  |  | 4PCS |
| H2 |  | 2PCS |
| I  |  | 4PCS |
| J1 |  | 2PCS |
| J2 |  | 4PCS |
| 12 |  | 1PCS |
| 13 |  | 1PCS |




## STEP19

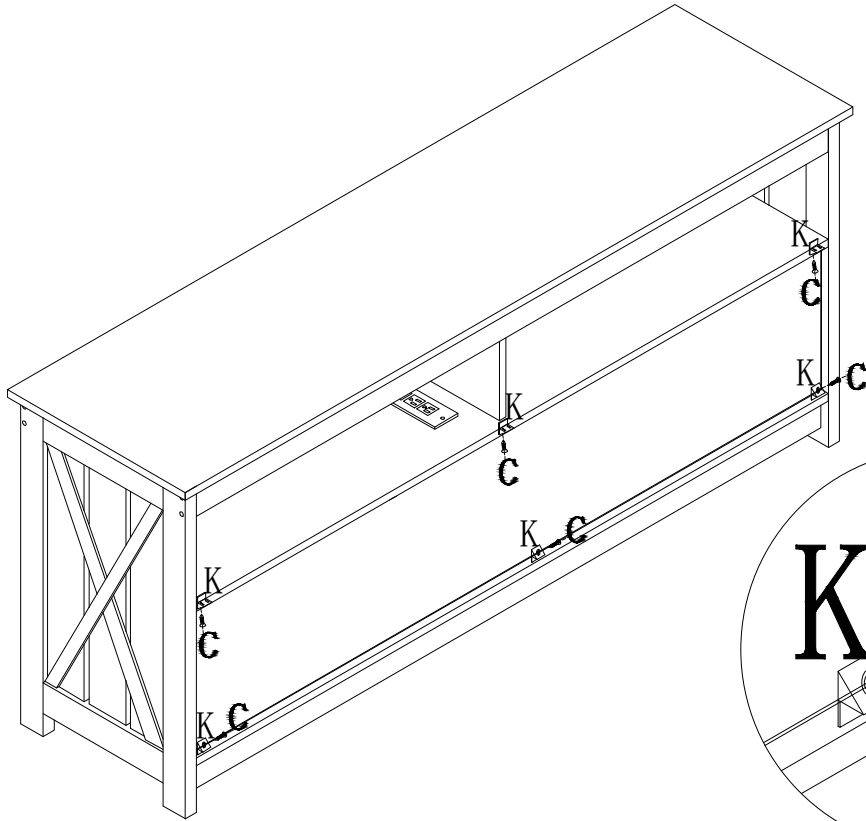


FTLFTS-6086/6088


# STEP20

C  6PCS

K  6PCS



# STEP21

L  8PCS

