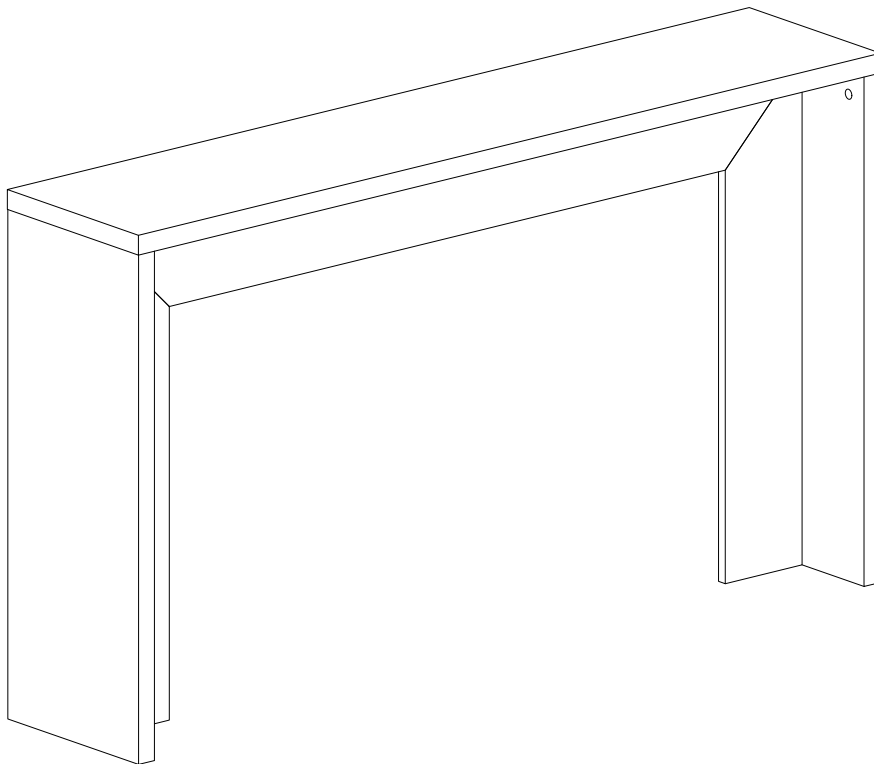


Tribesigns

DESIGNED FOR LIFE

Assembly Instructions



Console Table

Model No.
HOGA-ZF0010

 **LITTLE TREE**
Little Tree by Tribesigns

www.tribesigns.com

Contact Us

We're here to help you.




Your satisfaction is our top priority. If you encounter any issues with this product, such as missing or damaged parts, we're here to help. Please retain the original packaging and take photos of the packaging and the product, then contact us as soon as possible.

Warm Tips

1. Carefully read these instructions and keep them for future reference.
2. Check the parts list and confirm everything's there before starting assembly.
3. When assembling, put all parts on a soft, smooth surface like a carpet to avoid scratches.
4. Don't fully tighten screws until all parts are confirmed in place to avoid misalignment.

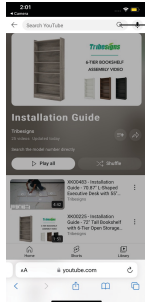
How to Get the Assembly Video

Step 1 Scan the QR code.



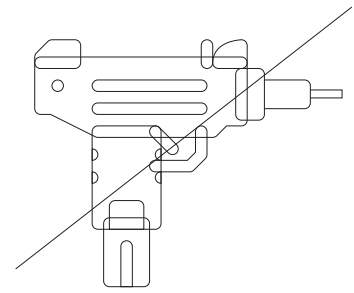
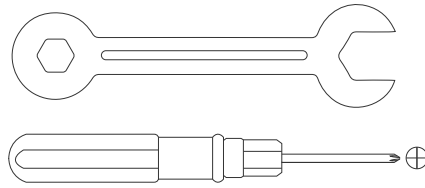
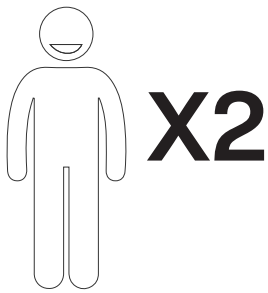
Installation Video

Step 2 Search with the Model No.
(on the bottom left corner of the title page)



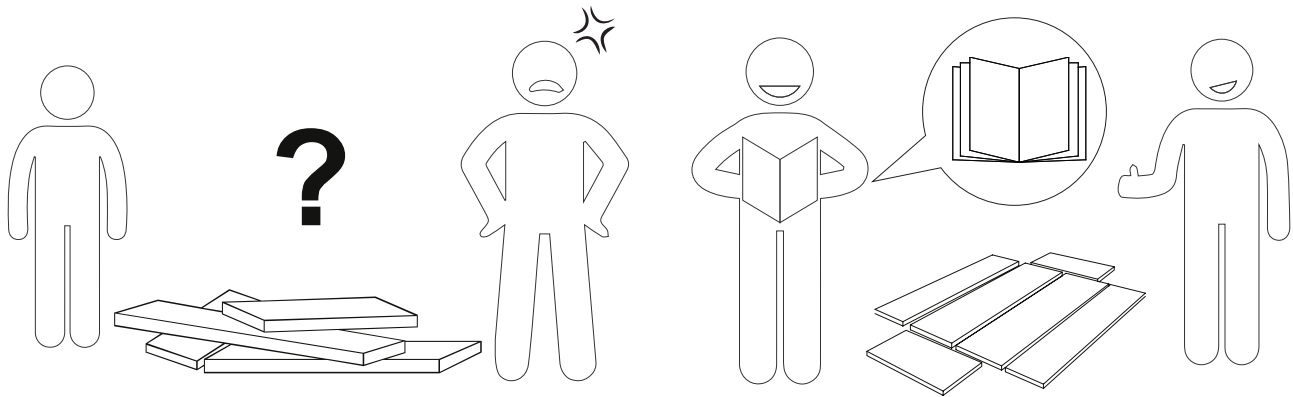
HOGA-ZF0010

Note: If you can't find the assembly video, please contact us.



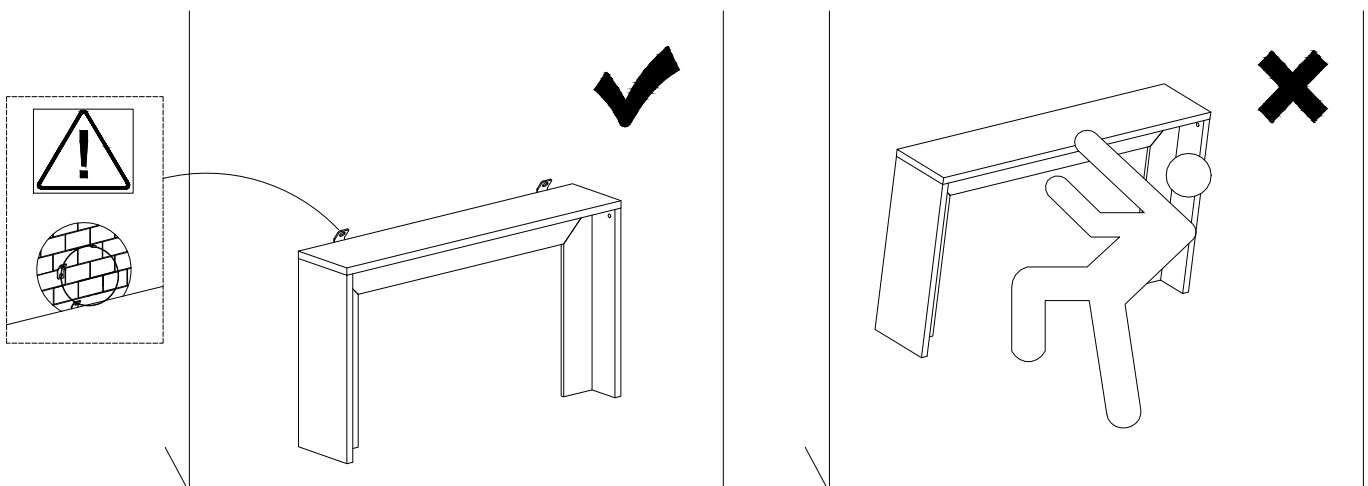
We recommend using hand tools for assembly.

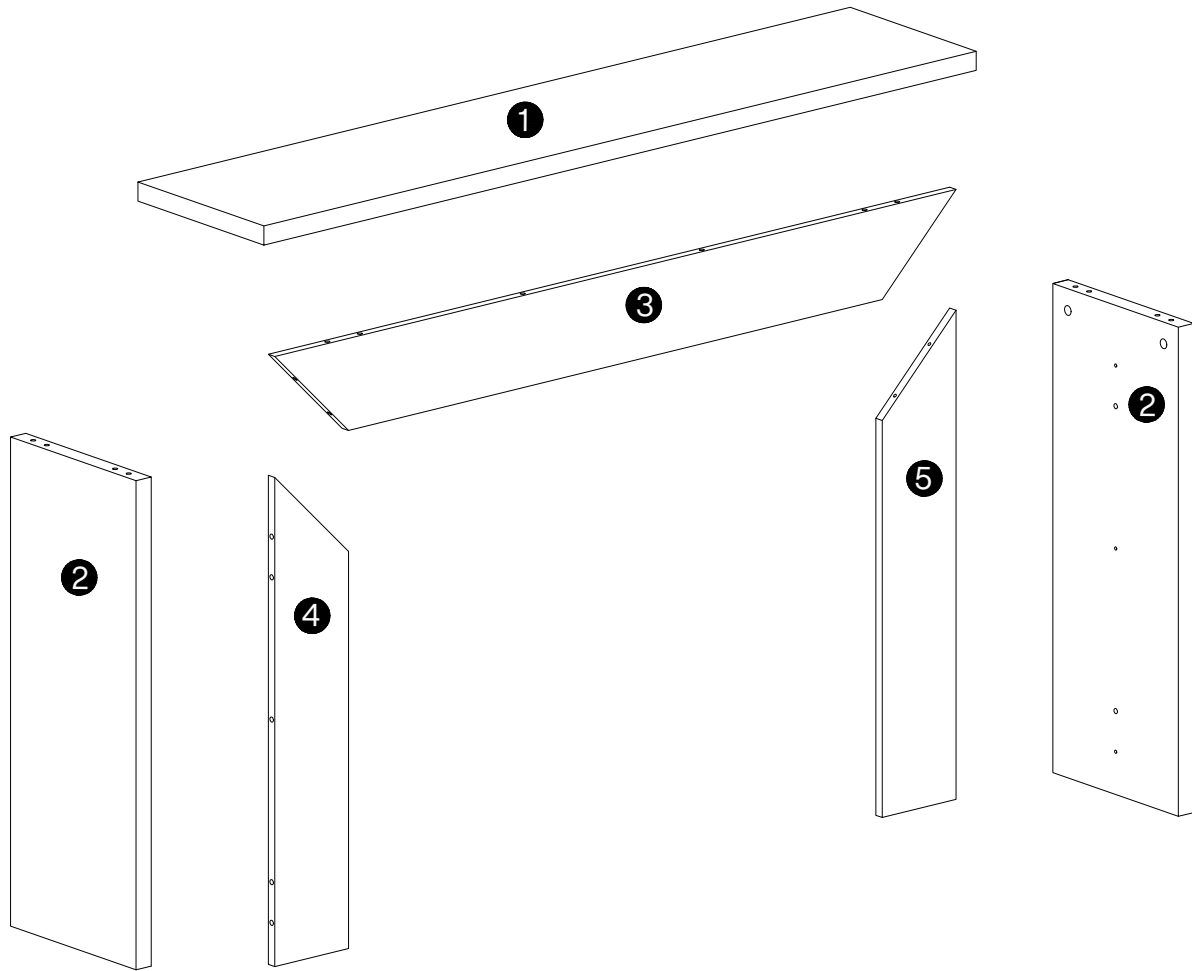
If an electric screwdriver is used, reduce power and torque to avoid damage to the product.



Install the Anti-Tip Straps

Using the anti-tip straps can reduce the risk of tipping over, but can not eliminate it.

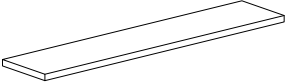
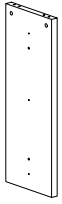
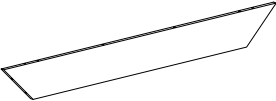
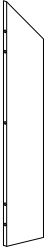





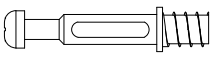
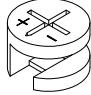







⚠ Caution

Make sure all parts are included. Most board parts are labeled or stamped on the raw edge. Contact us for a free replacement if you encounter any damaged or missing parts.

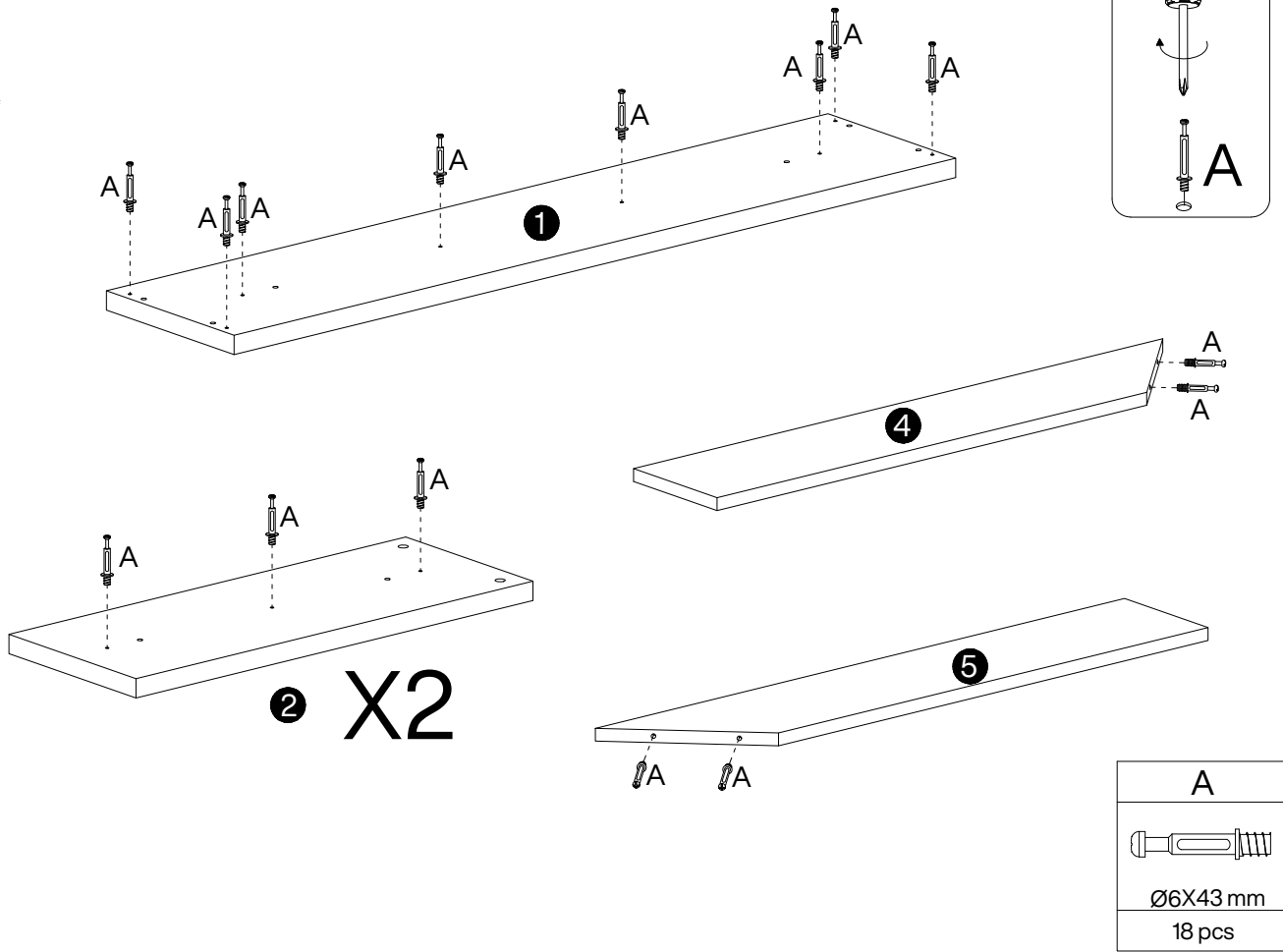
Parts List

<p>1</p>  <p>1 pc</p>	<p>2</p>  <p>2 pcs</p>	<p>3</p>  <p>1 pc</p>	<p>4</p>  <p>1 pc</p>
<p>5</p>  <p>1 pc</p>			

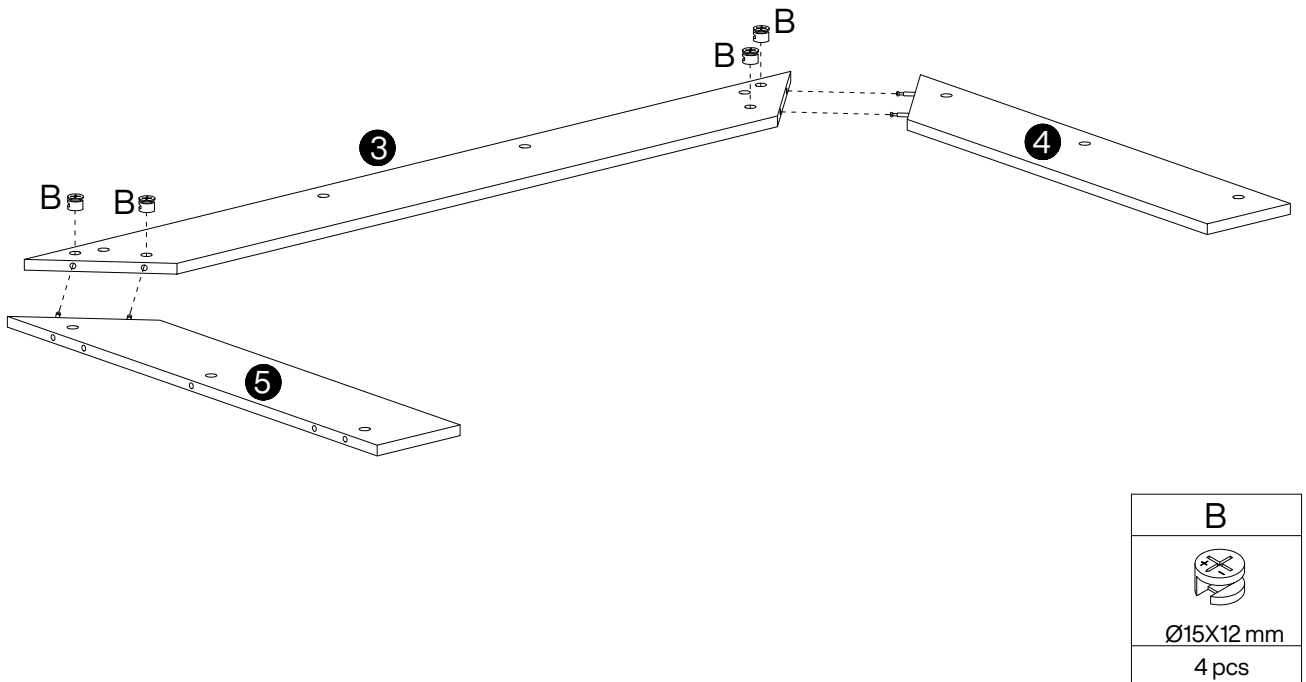
Hardware List

A	B	C	D	E
				
Ø6X43 mm	Ø15X12 mm	Ø8X30 mm	3.5X14 mm	4X35 mm
18+1 pcs	18+1 pcs	10+1 pcs	2+1 pcs	2+1 pcs
F	G	H	I	
				
Ø8X40 mm	L250 mm	26X13 mm	M4X64 mm	
2 pcs	2 pcs	4 pcs	1 pc	

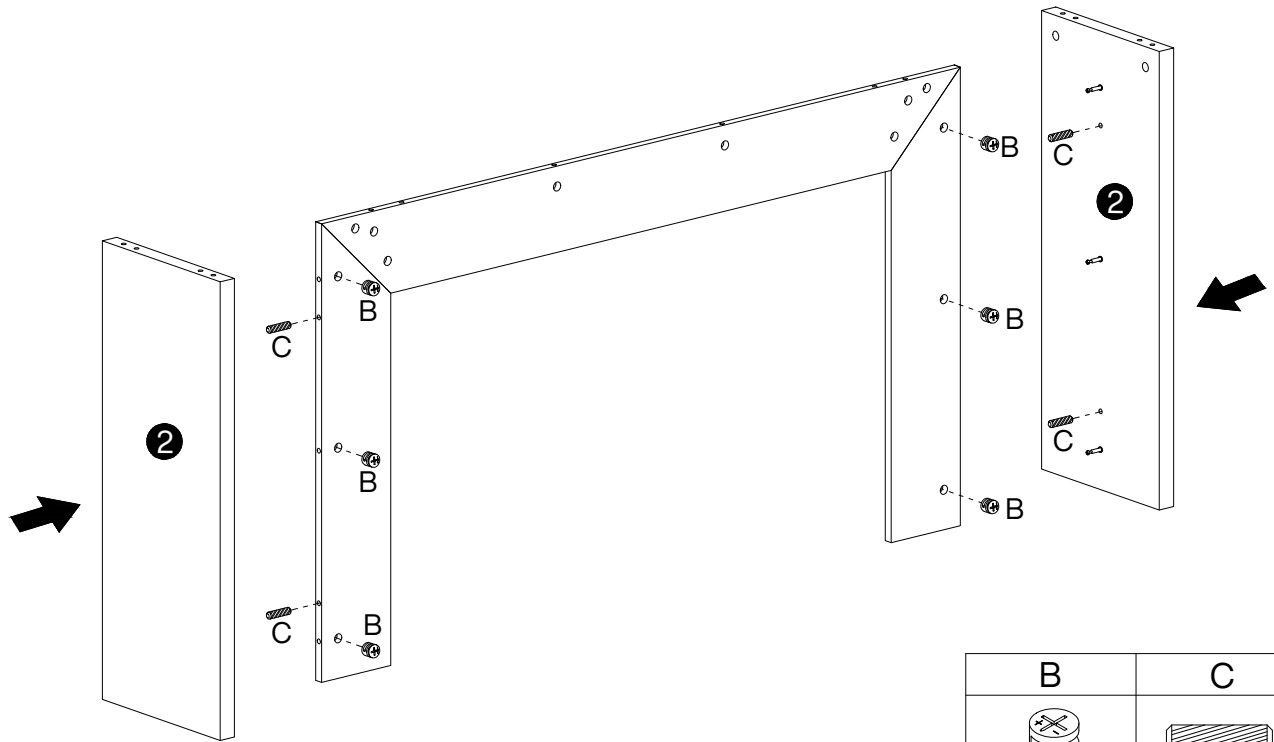
1





2

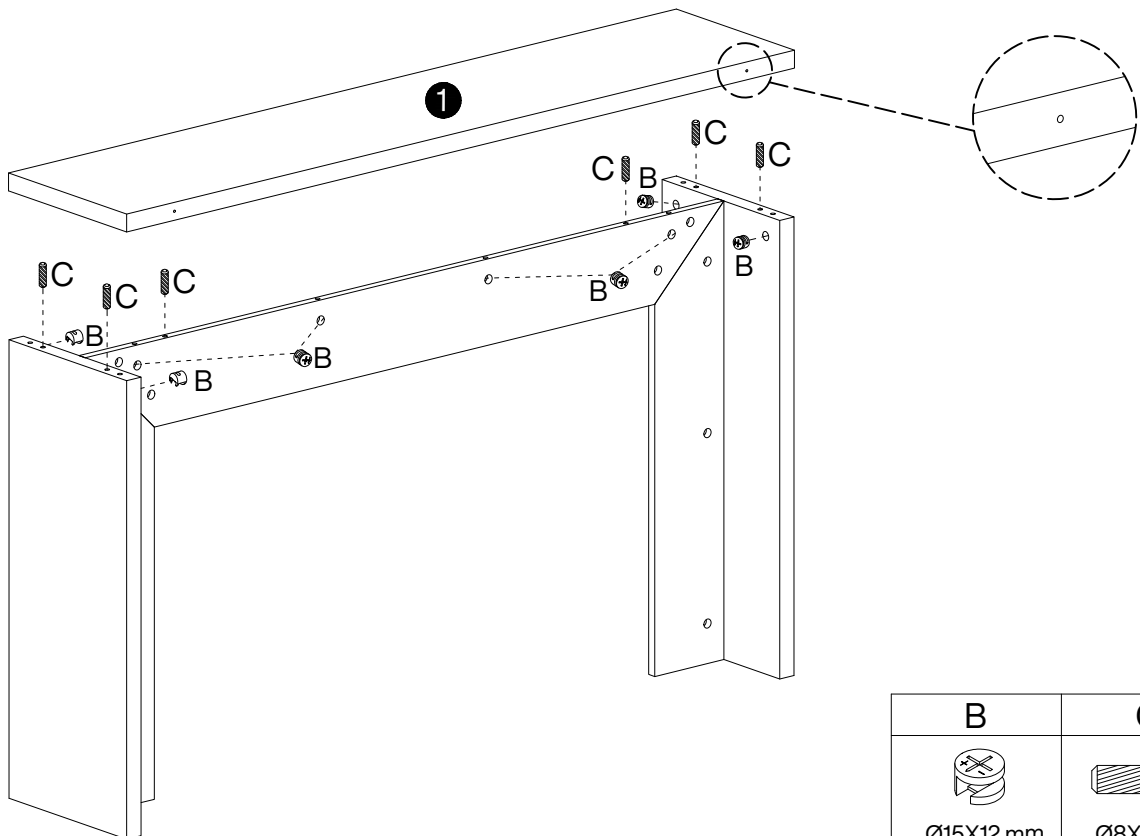



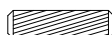
3



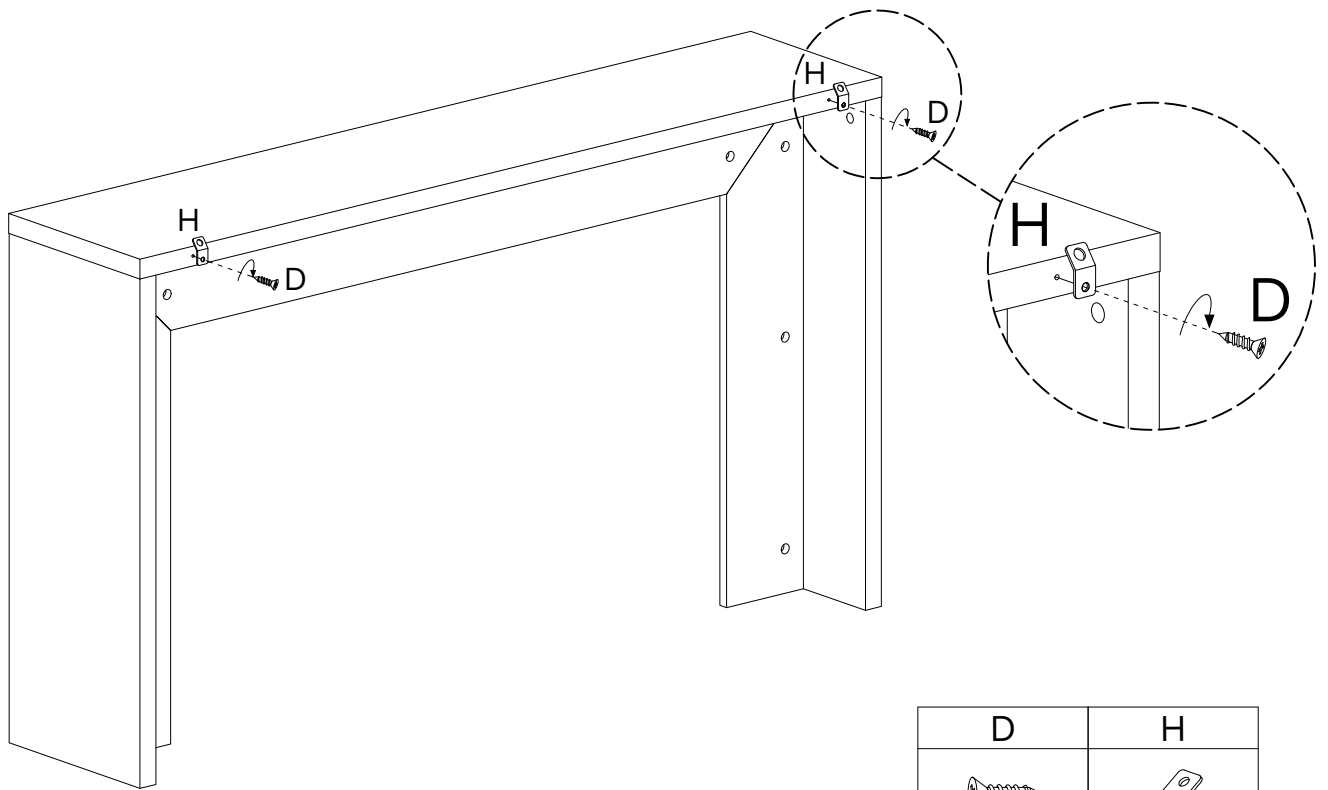
B	C
	
Ø15X12 mm	Ø8X30 mm
6 pcs	4 pcs



4



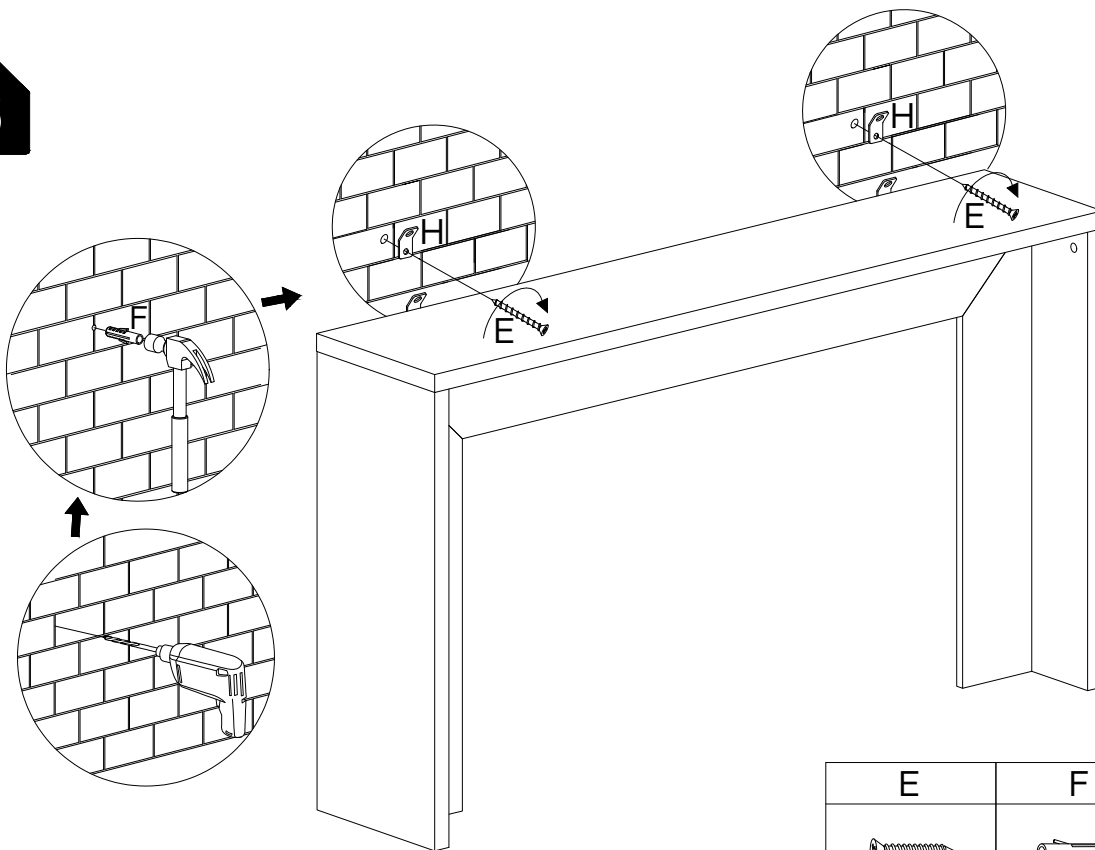
B	C
	
Ø15X12 mm	Ø8X30 mm
8 pcs	6 pcs

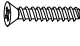
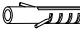

5



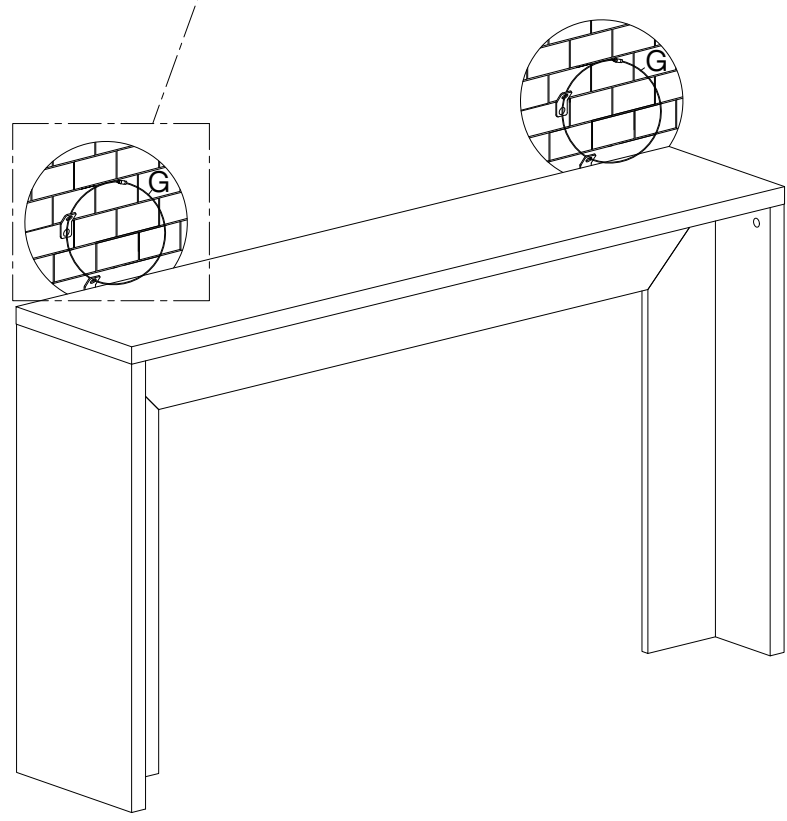
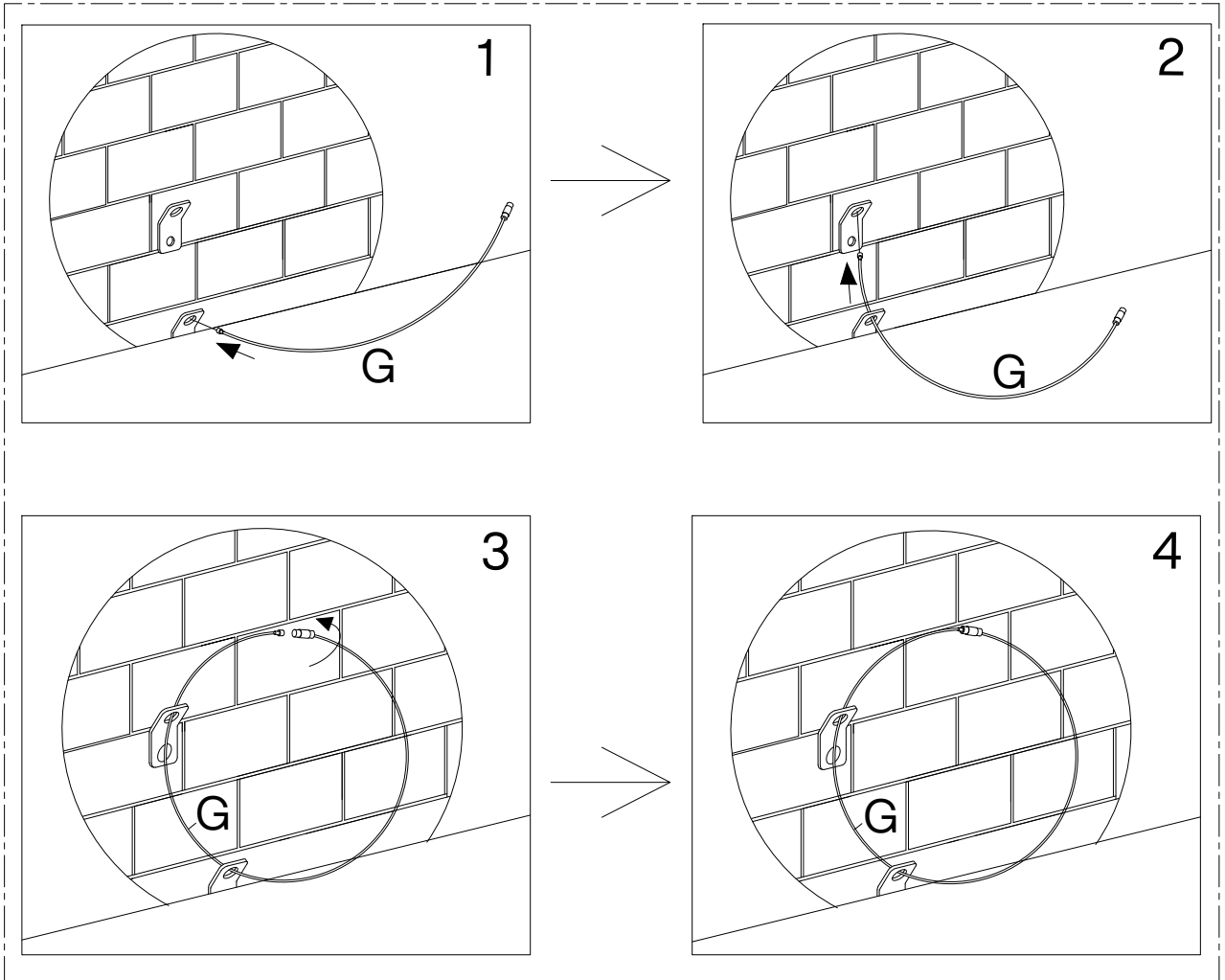
D	H
	
3.5X14 mm	26X13 mm
2 pcs	2 pcs


6



E	F	H
		
4X35 mm	Ø8X40 mm	26X13 mm
2 pcs	2 pcs	2 pcs

7

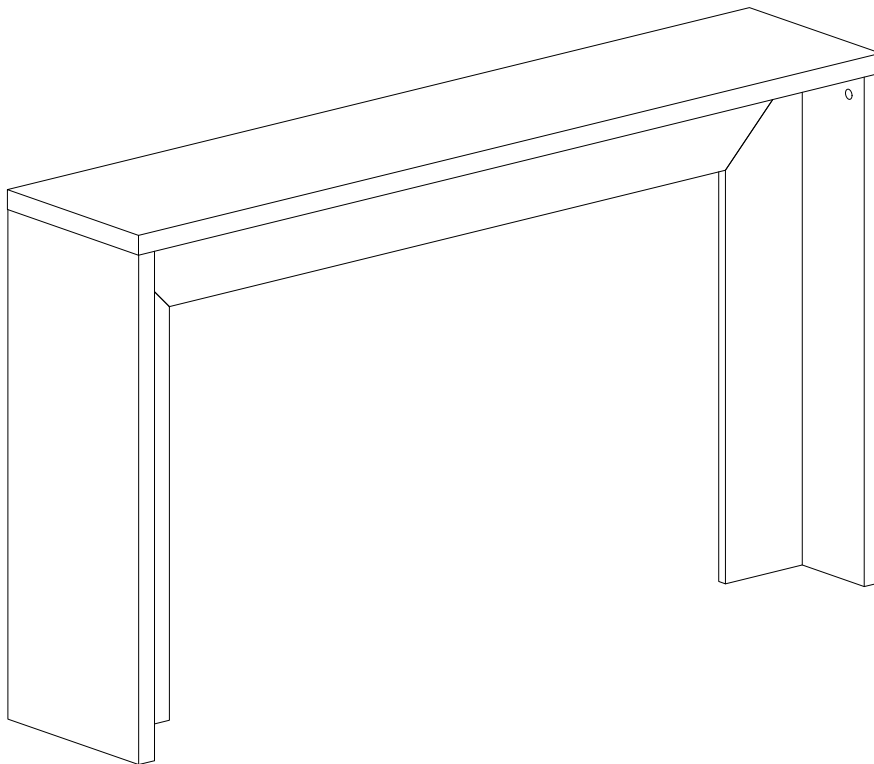


G

L250 mm
2 pcs



DESIGNED FOR LIFE

Thank you for your support!



Contact our customer service team



support@tribesigns.com
www.tribesigns.com



1-424-220-6888

Contact us anytime except
12:00 AM to 8:00 AM EST.

Follow Tribesigns



Facebook



Instagram



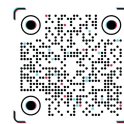
Pinterest



Twitter



YouTube



TikTok



WhatsApp