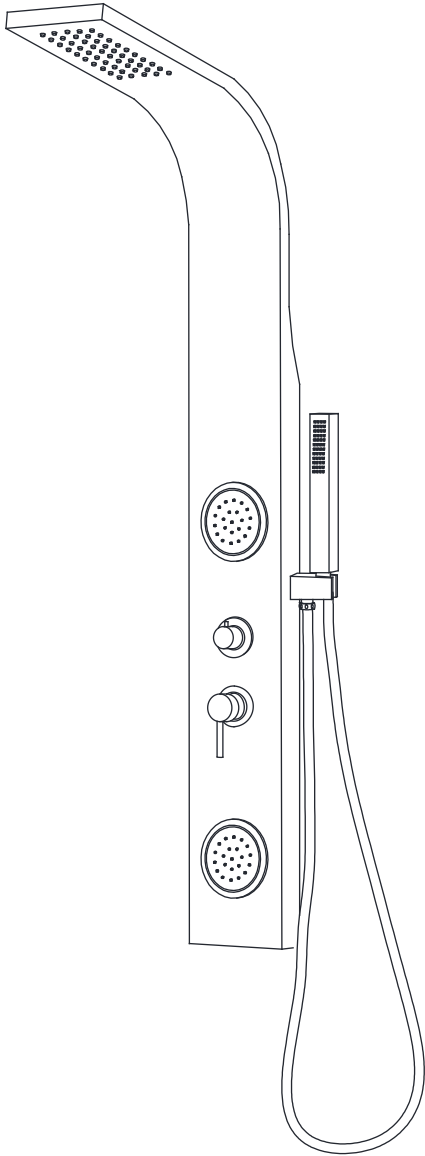


88213B

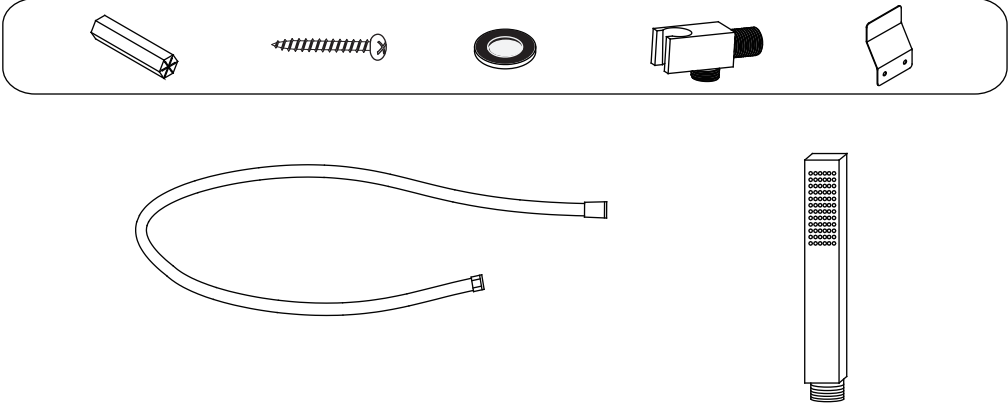
INSTALLATION GUIDE

88213B INSTALLATION GUIDE

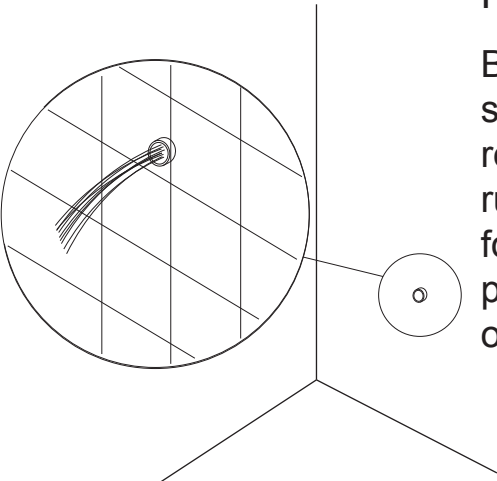
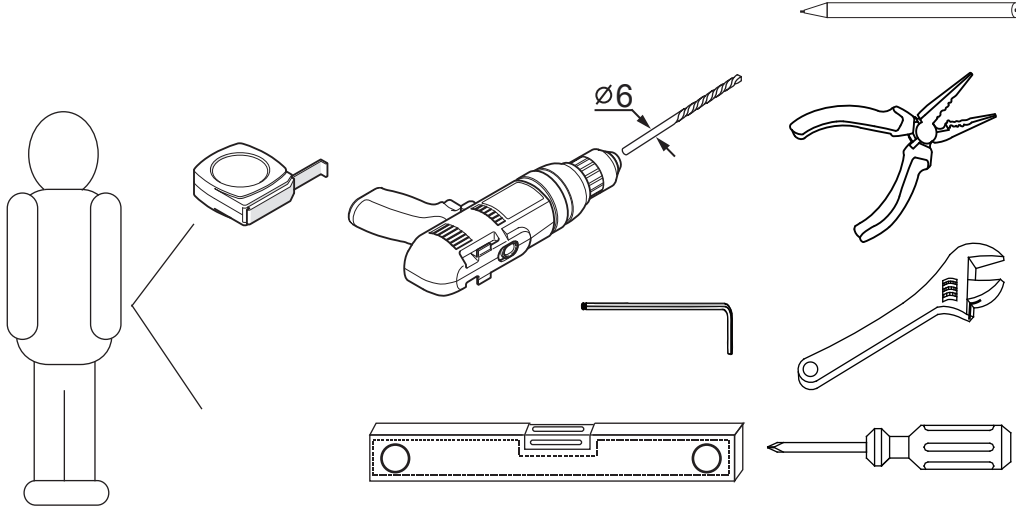


Parts List

Please unpack and inspect all packages and components carefully, and make sure they are complete. Examine for shipping damage. If some parts are damaged or missing, notify your dealer immediately.



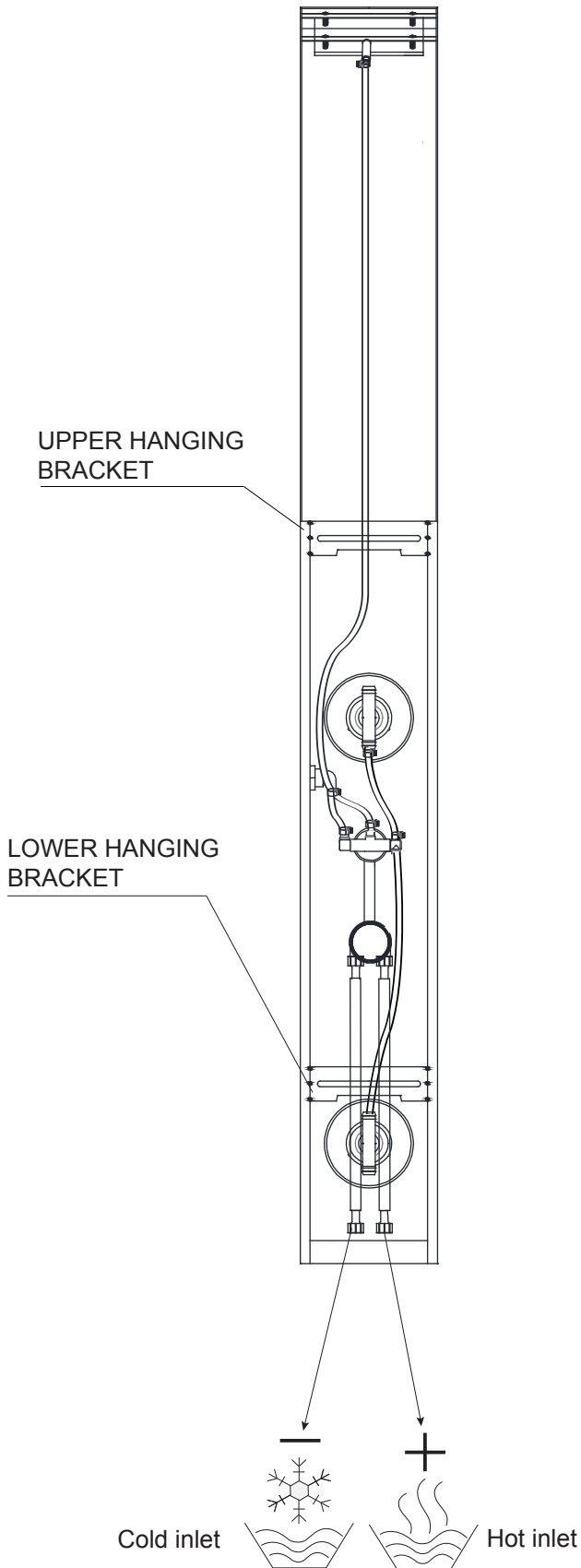
For Installation You may Require the Following Tools



Note!

Before assembly, flush the water supply pipes thoroughly to remove debris (allow the water to run with the main stopcock open for about 3 mins), otherwise dirt particles might affect the function of the shower panel!

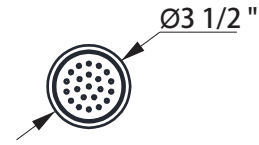
Back View



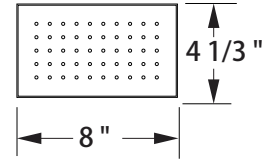
Measure the distance from the upper fixing hanger to the lower fixing hanger. The dimensions are for your reference only.

Dimensions

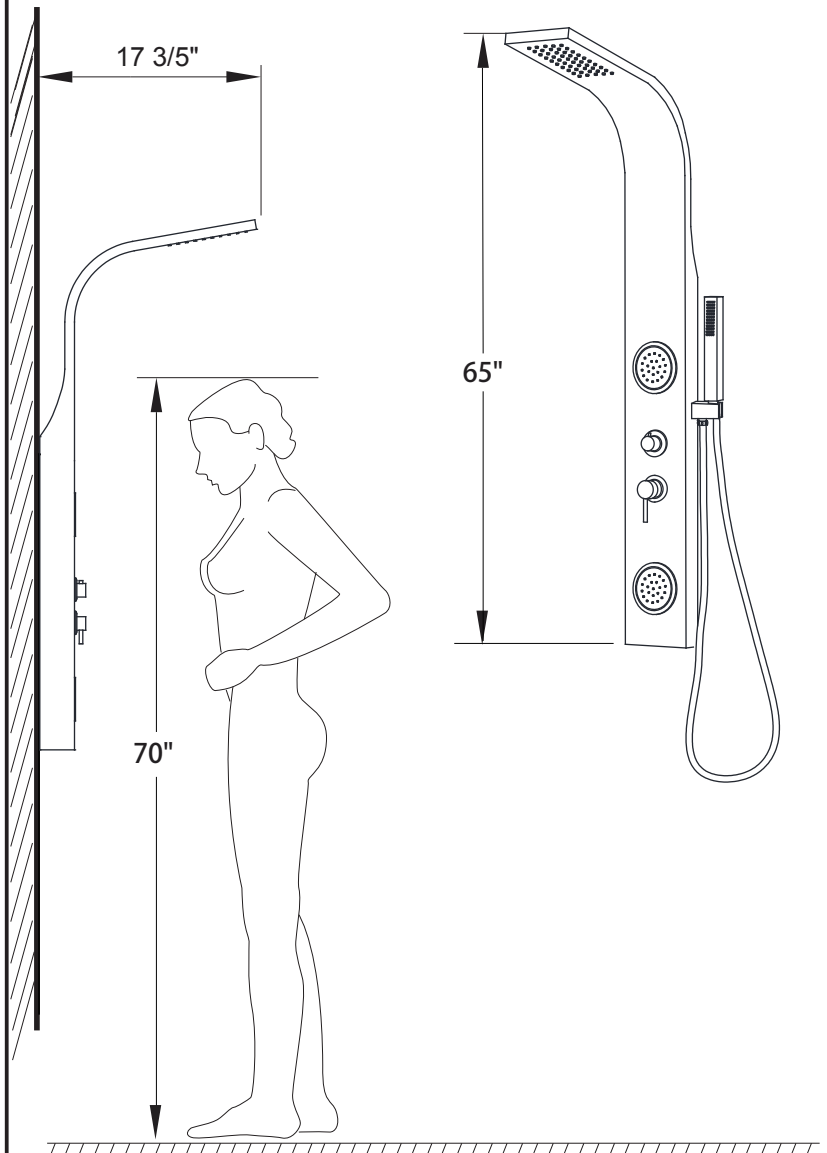
Choose a suitable place to install the shower panel, adjust the shower panel's vertical position based on the user's height and your sanitary room. Usually, install the panels at the distance of 82 3/5" from the top to the ground, but you can assemble according to your preference.



MASSAGE JET



SHOWERHEAD



Note!

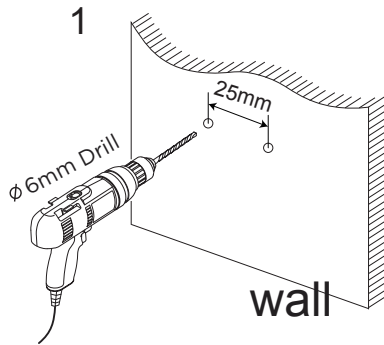
The height can be altered to suit individual requirements.
The dimensions are for reference only.

Note! Most of shower panels not only can be mounted on the tile, marble or other flat wall, but also can be mounted against the wall corner.

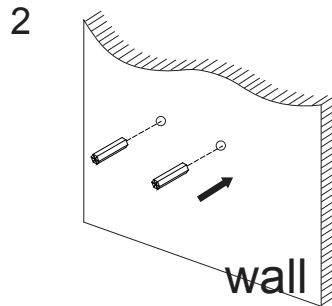
Your item may appear slightly different from the illustration

Wall-mounting

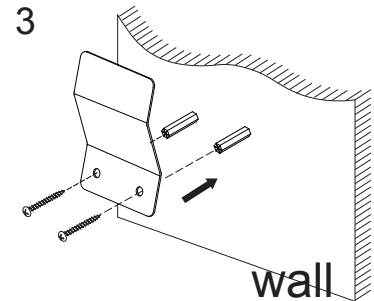
Note Before drilling any holes for fixing your shower panel ensure that there are no hidden cables or pipework within the wall.



Drill the holes in the wall

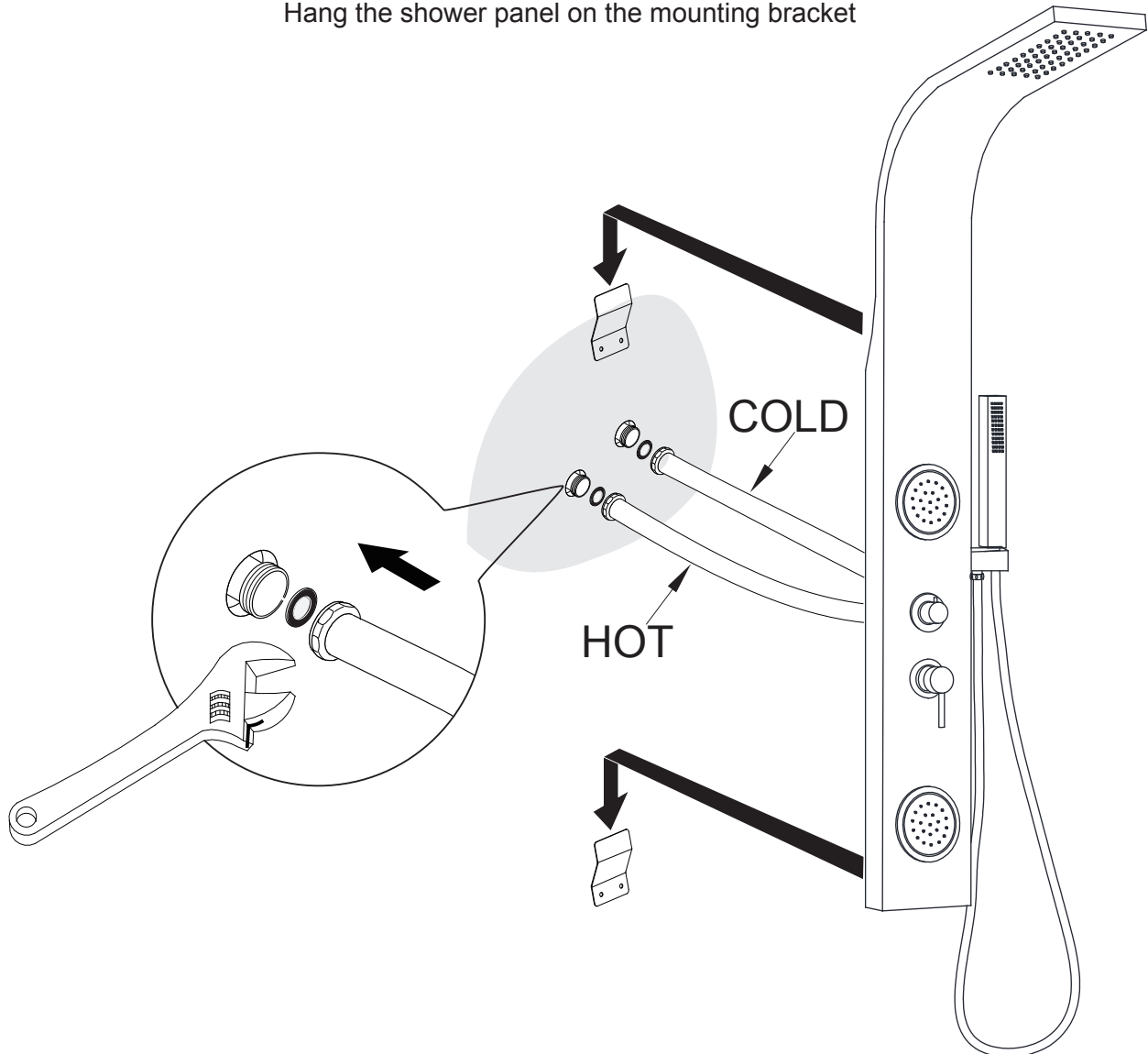


Insert the wall plugs inside the holes



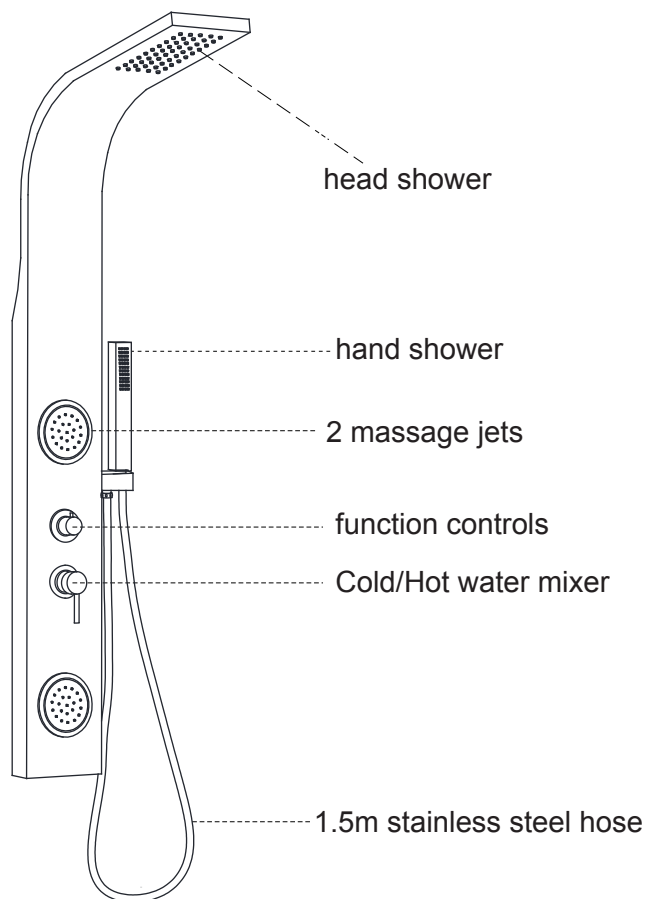
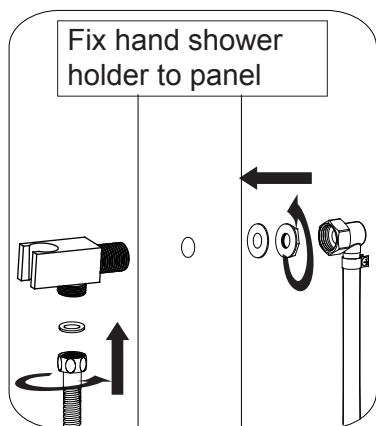
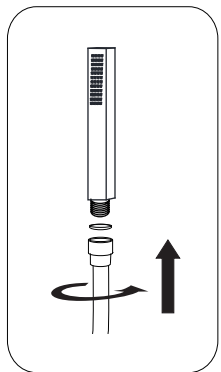
Tighten the screws to the wall with wall mounting brackets

Hang the shower panel on the mounting bracket



Note! The shower panel is for indoors use only. For outdoors use please refer to the outdoors shower panel series.

Don't forget to place the Teflon Tape and rubber washer when it is necessary or it might cause water leakage.



Operation

Technical data

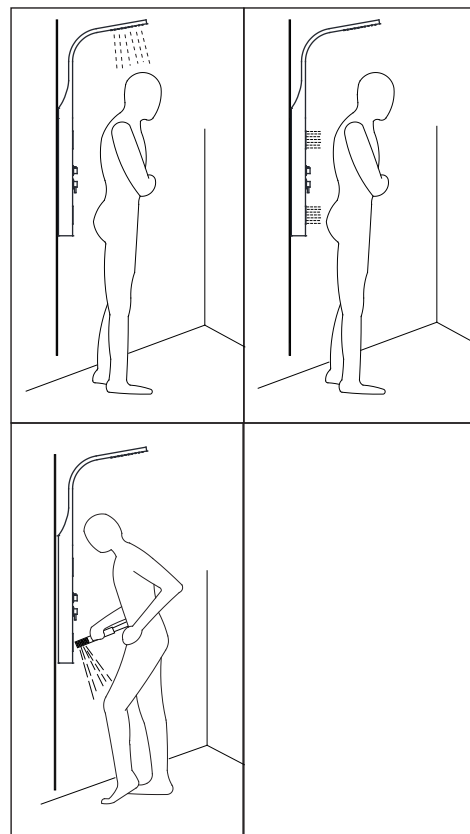
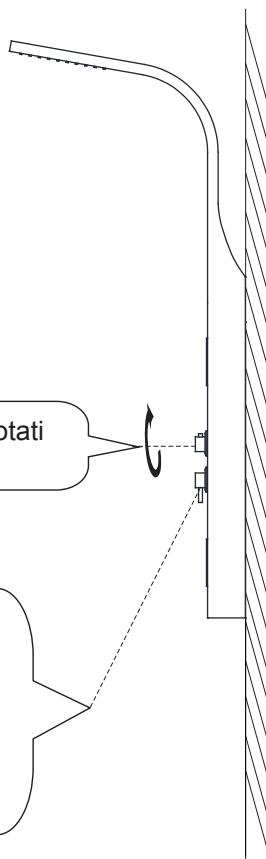
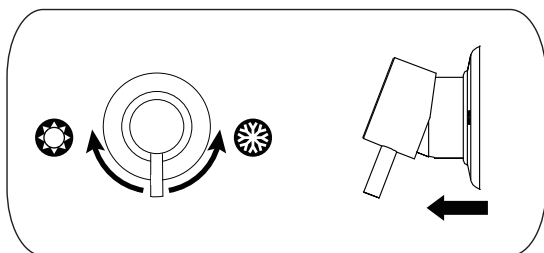
Minimum working pressure 11.6 PSI

Maximum working pressure 72.5 PSI

Recommended operating pressure

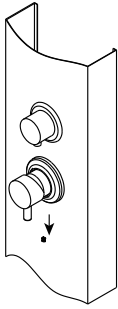
21.75 PSI - 43.5 PSI

Select the shower function by rotating the function control knobs.

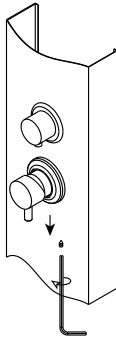


Valve removal process

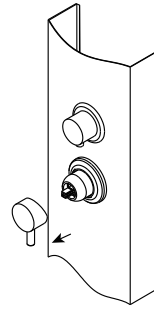
1



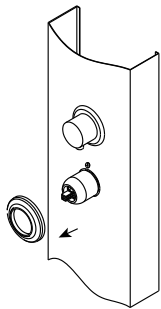
2



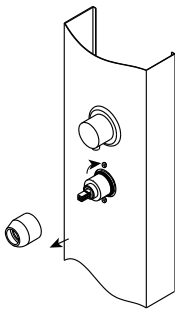
3



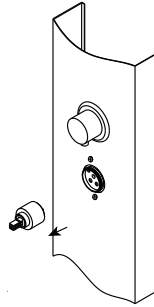
4



5

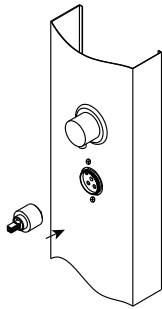


6

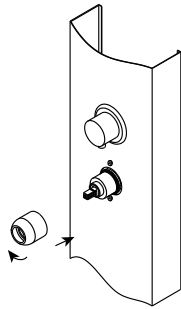


Valve installation process

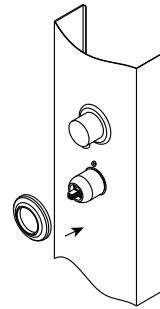
1



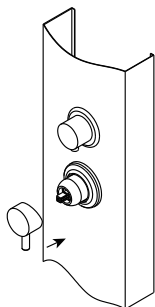
2



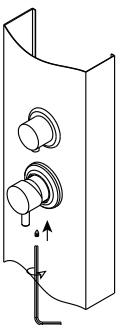
3



4



5



6

