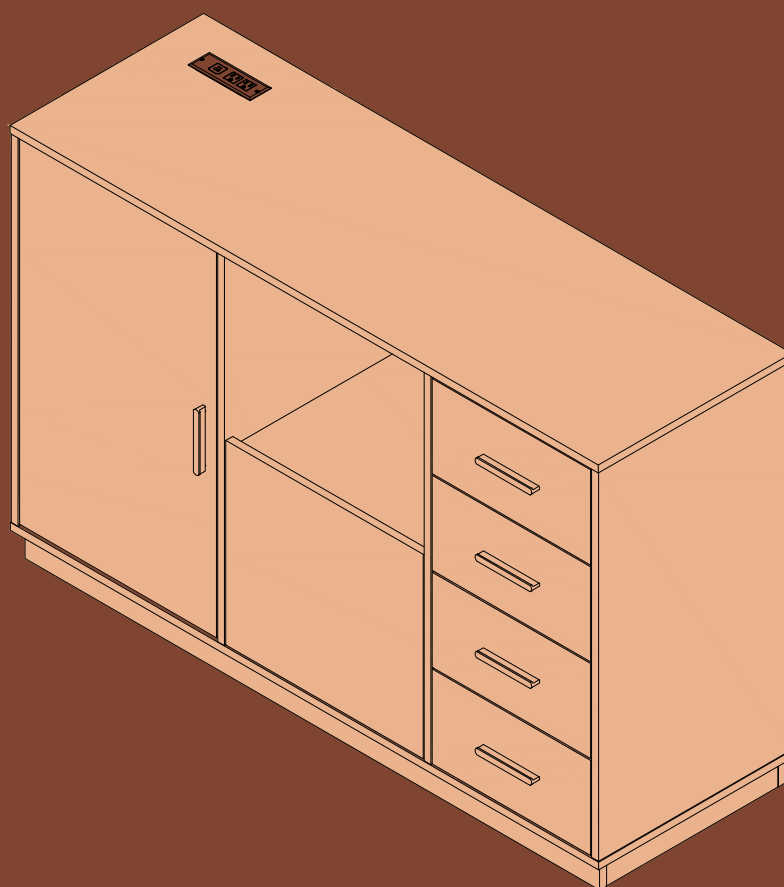


ASSEMBLY INSTRUCTION



File Cabinet

CATALOGUE

Precautions	01
Parts List	02-03
Hardware List	04-05
Tool List	06
Assembling Process	07-46

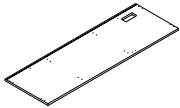
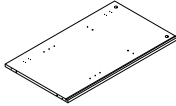
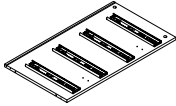
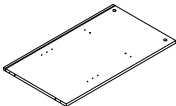
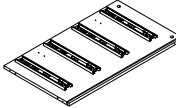
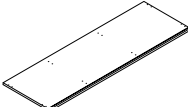
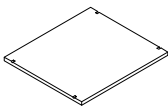
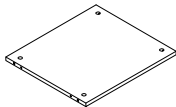
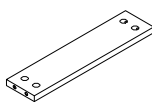
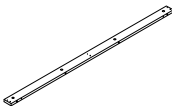
INTRODUCTION

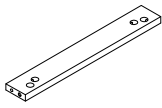
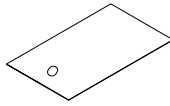
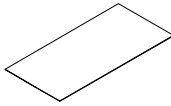
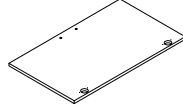
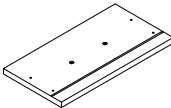
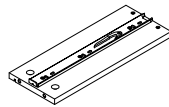
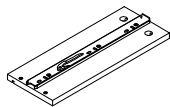
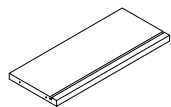
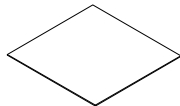
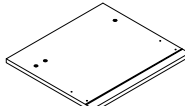
Thank you for purchasing our products. Please read the instructions carefully before installation and keep it in a safe place for future reference. If you need any assistance or support, please feel free to contact our customer support team.

PRECAUTIONS

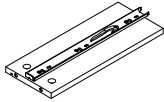
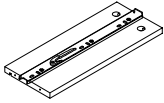
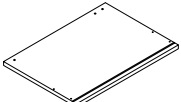
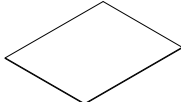
1. There are many components and accessories in the package. Each component and accessory is labeled with a letter or a number, check carefully before using any of them. Keep them away from children to prevent accidents.
 2. Please install the product on a clean and soft underlay (such as carpet or cardboard) to avoid scratching or damaging the surface of the product.
 3. The main components of the product is relatively heavy. Please pay attention to safety during installation.
 4. The product is not stable during installation. Please do not move it randomly before it is completely installed.
 5. If you have any questions during installation, please contact the customer service in time.
- * Please be sure to follow the installation steps in the manual to avoid unnecessary losses caused by improper installation.
 - * If you need further assistance, please contact the customer service online.

Parts List




ID	Parts	QTY
1		1
2		1
3		1
4		1
5		1
6		1
7		1
8		2
9		2
10		2


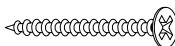
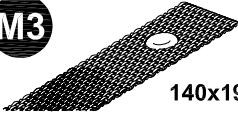



ID	Parts	QTY
11		3
12		2
13		1
14		1
15		4
16		4
17		4
18		4
19		4
20		1

Parts List

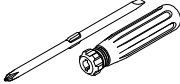
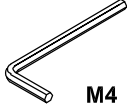

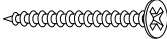

ID	Parts	QTY
21		1
22		1
23		1
24		1

Hardware List

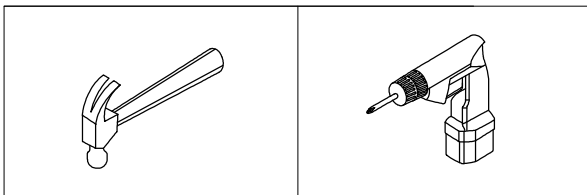
ID	Parts	QTY
A	 Ø6x35mm	64+2
B	 Ø15x9.5mm	64+2
C	 Ø6x30mm	40+2
D	 Ø5x45mm	8
E	E1  Ø3.5x12mm	4
	E2  Ø3.5x14mm	12+1
G	G1  Ø15x9.5mm	18+1
	G2  Ø3x16mm	18+1
H	H1  115x11x16mm	5
	H2  M4x16mm	10

ID	Parts	QTY
F	 Ø13x18x4mm	6
I	 Ø6x35mm	4
L		1
M	M1  Ø6x35mm	2
	M2  Ø4x35mm	2
	M3  140x19mm	2
	M4  Ø4x12mm	2
	M5  Ø16xØ6x1mm	4
N	 37x13x7mm	1
O	 Ø6x304mm	2

Hardware List

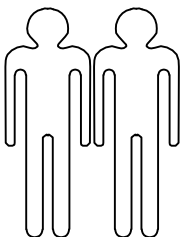
ID	Parts	QTY
P		1
Q	 M4	1
R	 110x61x40mm	2
S	 Ø4*30mm	20+2
T	 Ø21mm	12+1

Required Tools (Not Included)

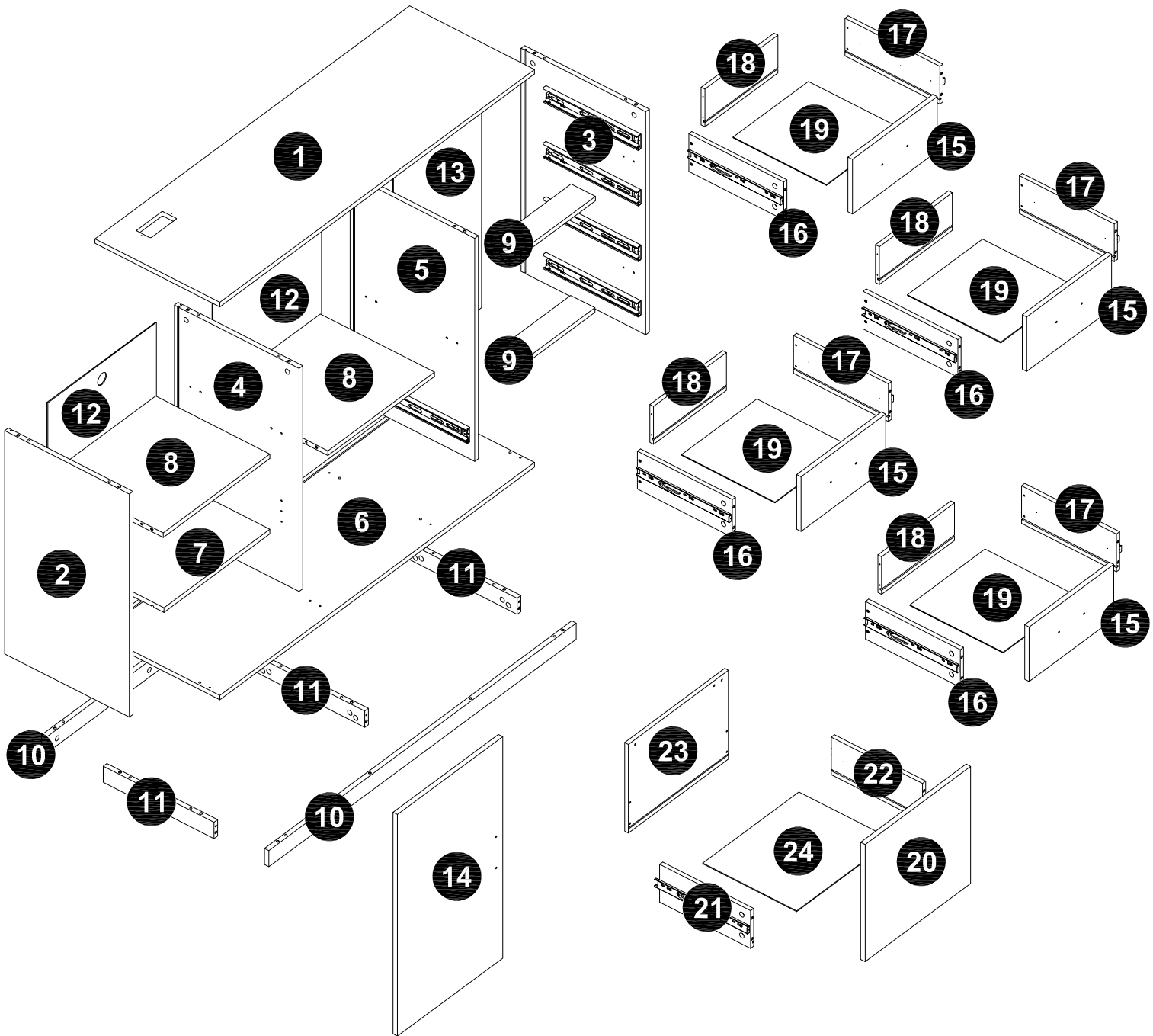


Wall mounting only

These tools are not required for product assembly.



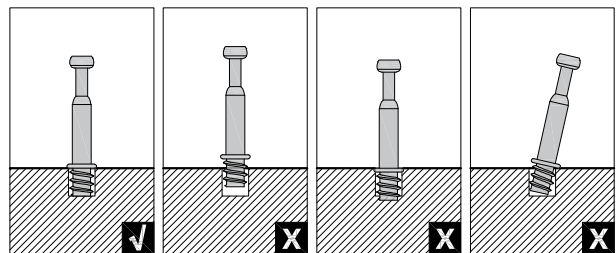
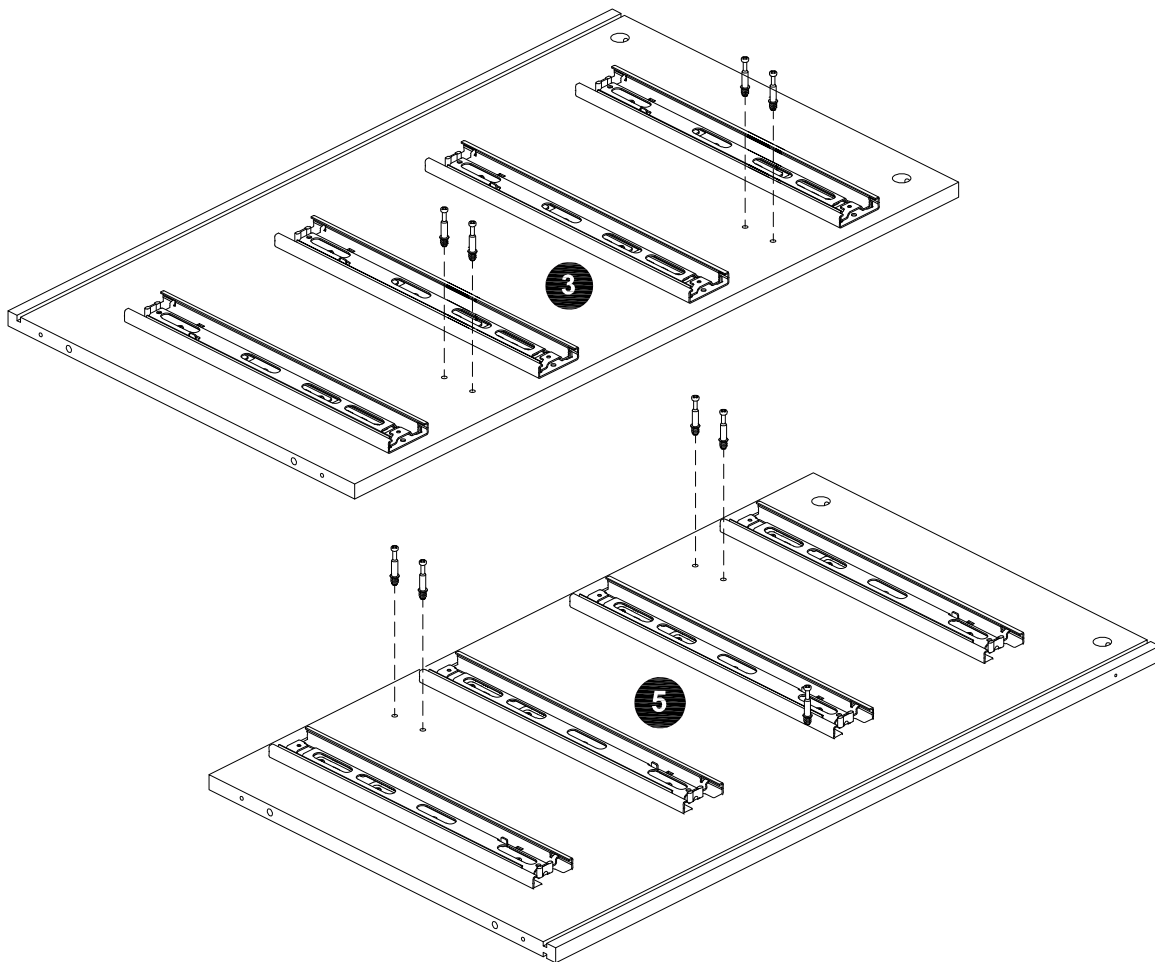
Multi-person installation




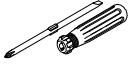
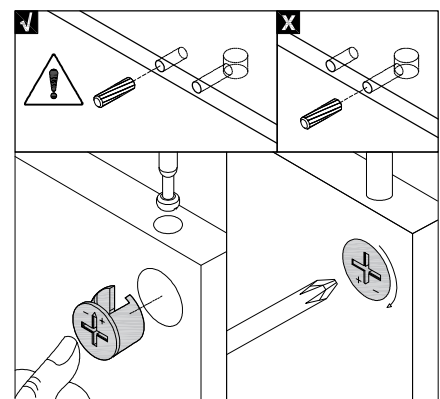
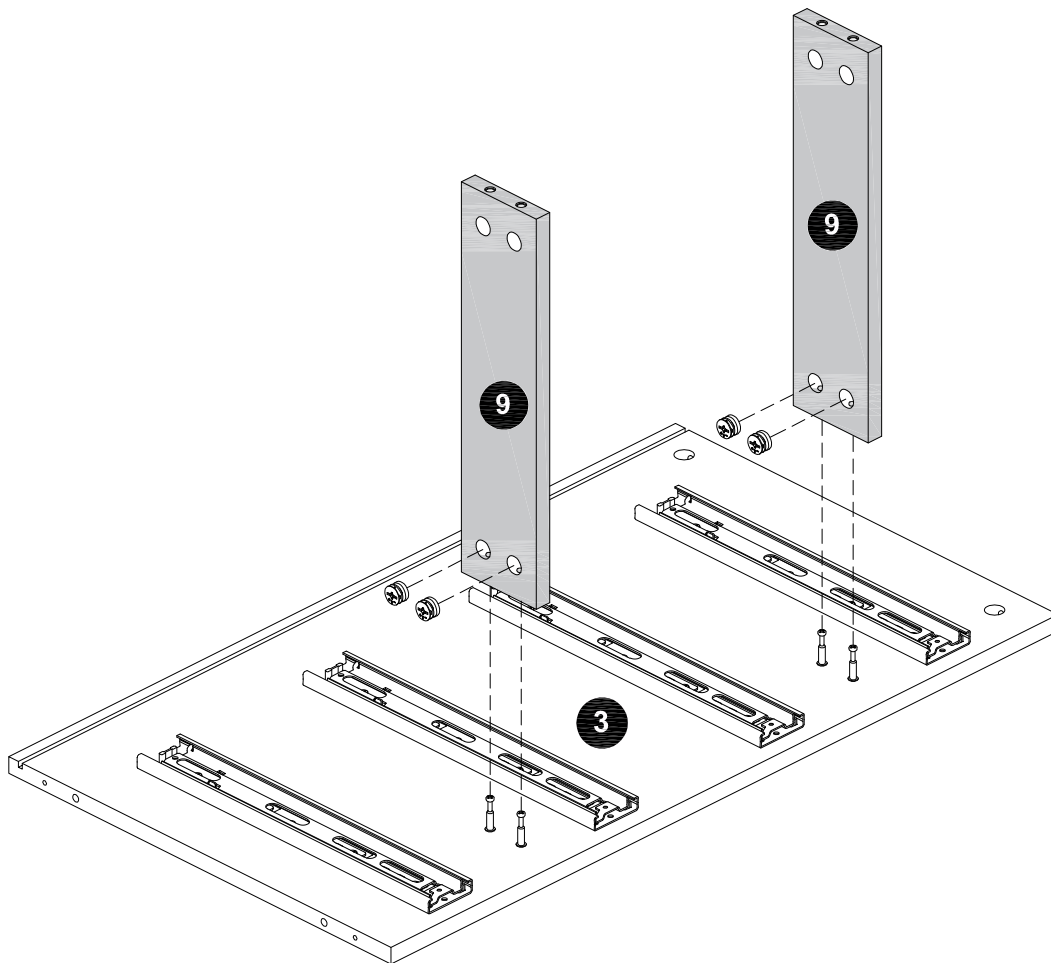
STEP 1

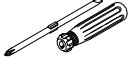
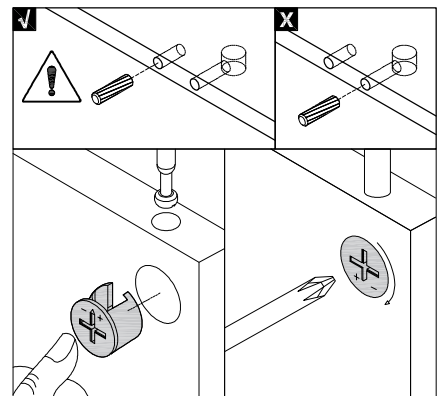
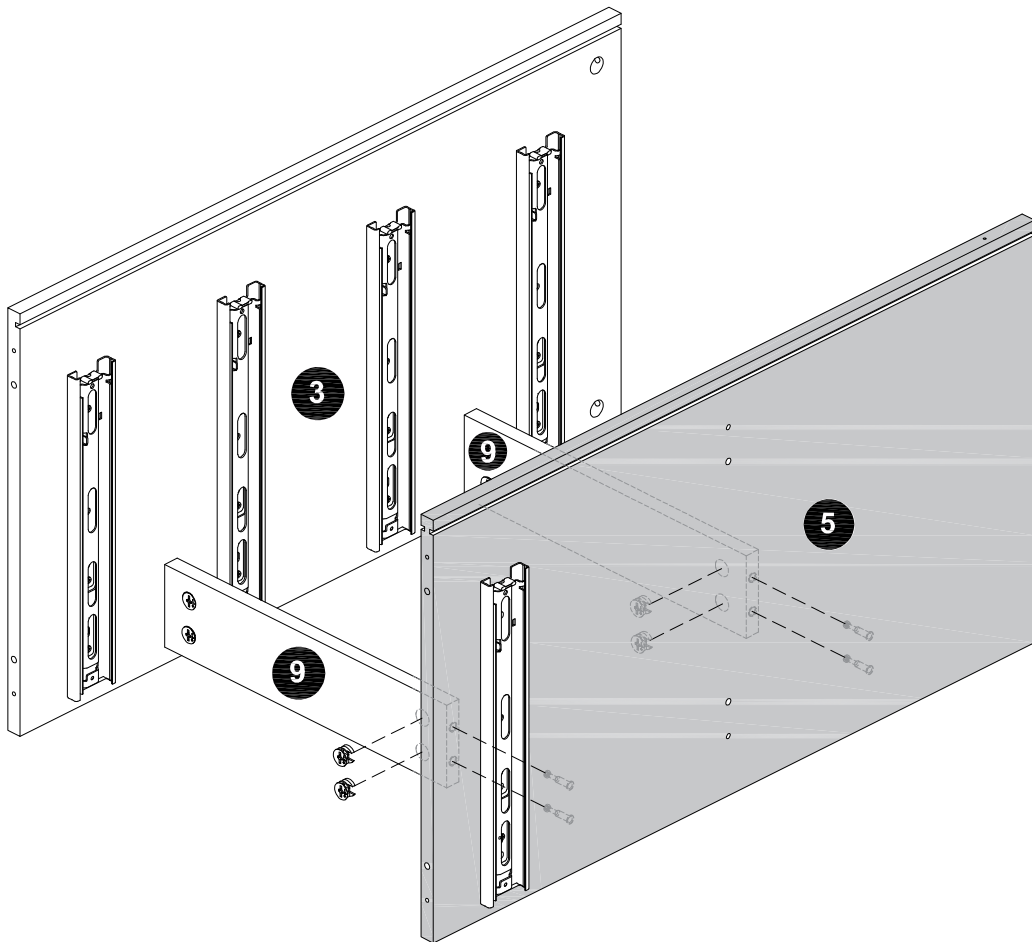
 **A** X8

 **P**

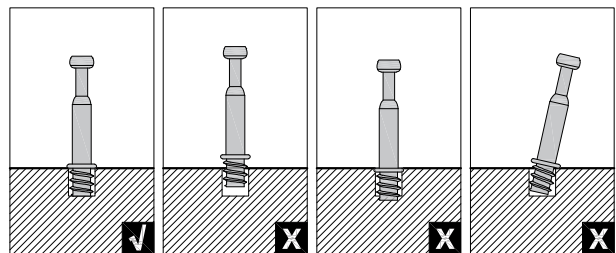
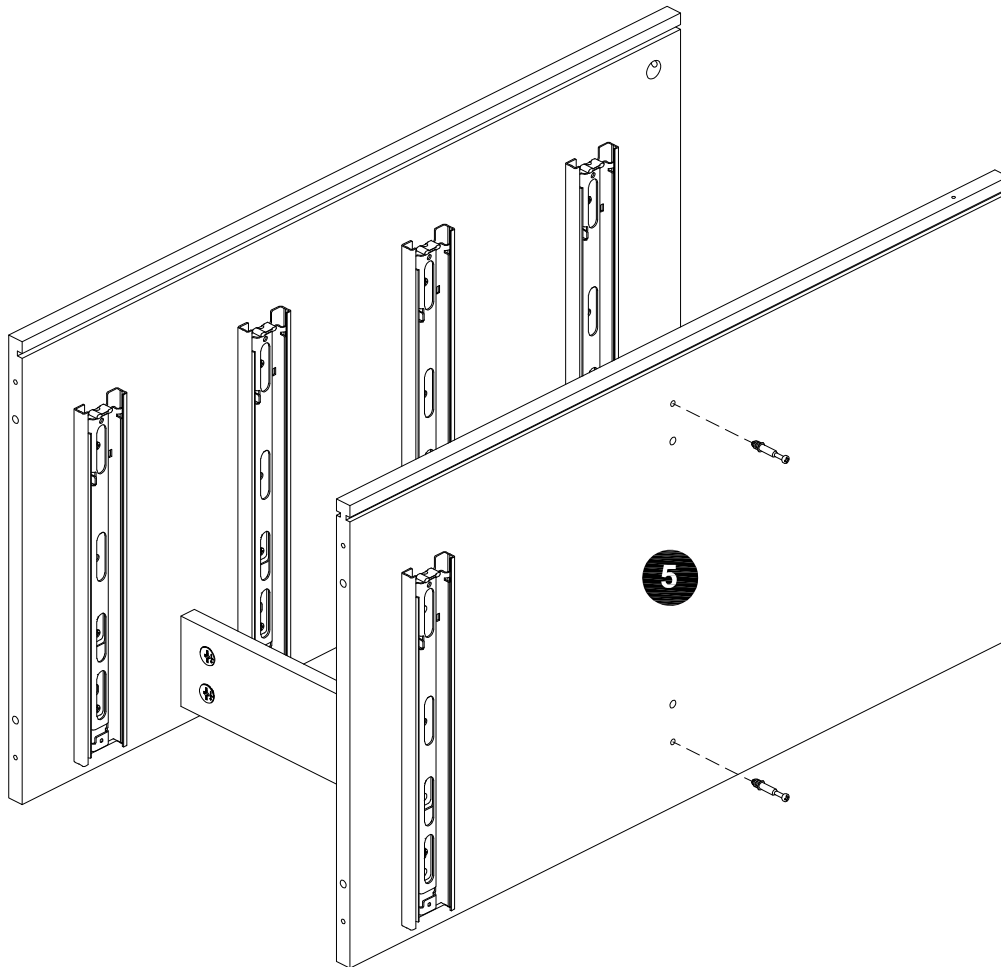



 Install the screw correctly to secure the screw.

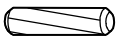
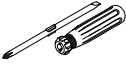
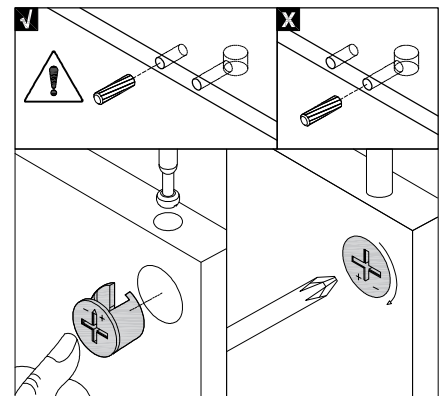
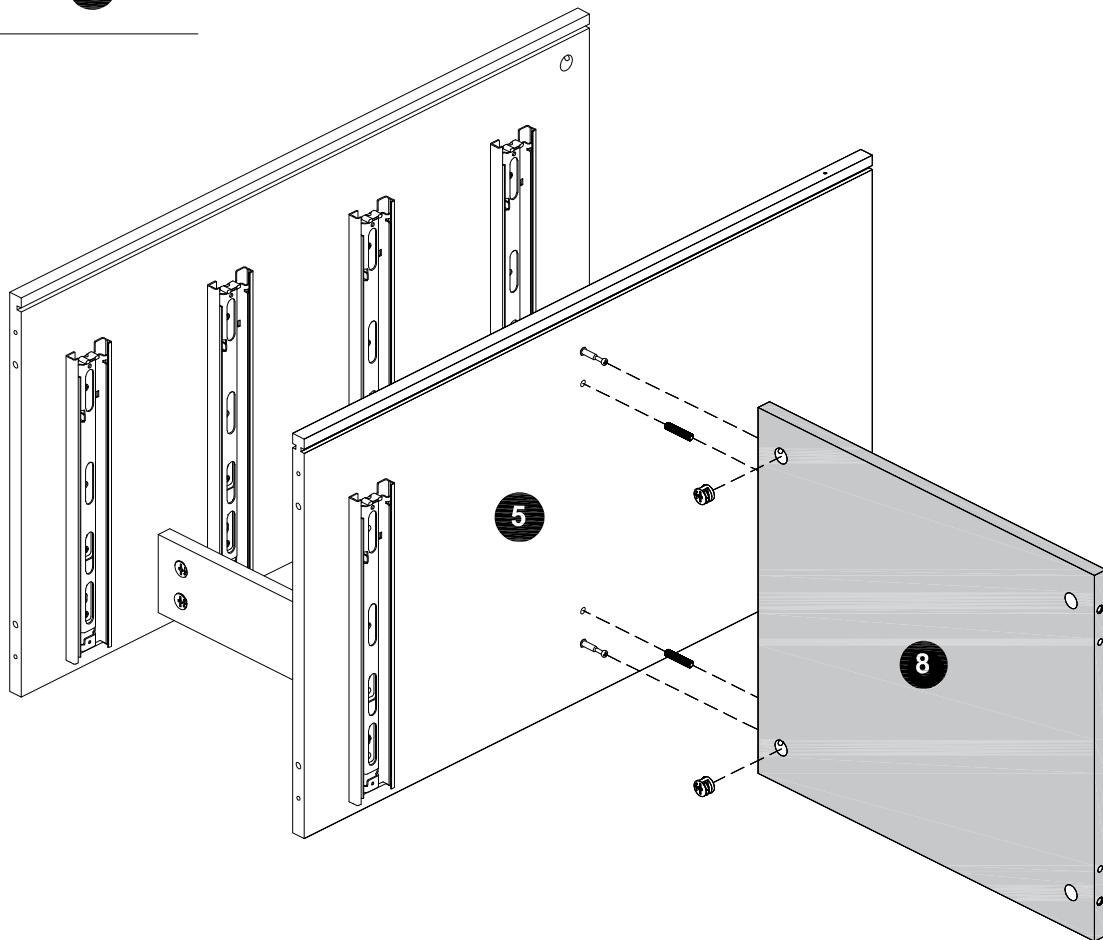
STEP 2**B** X4**P**

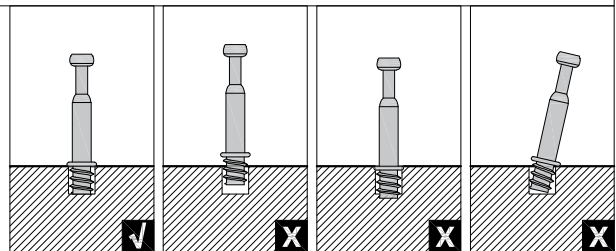
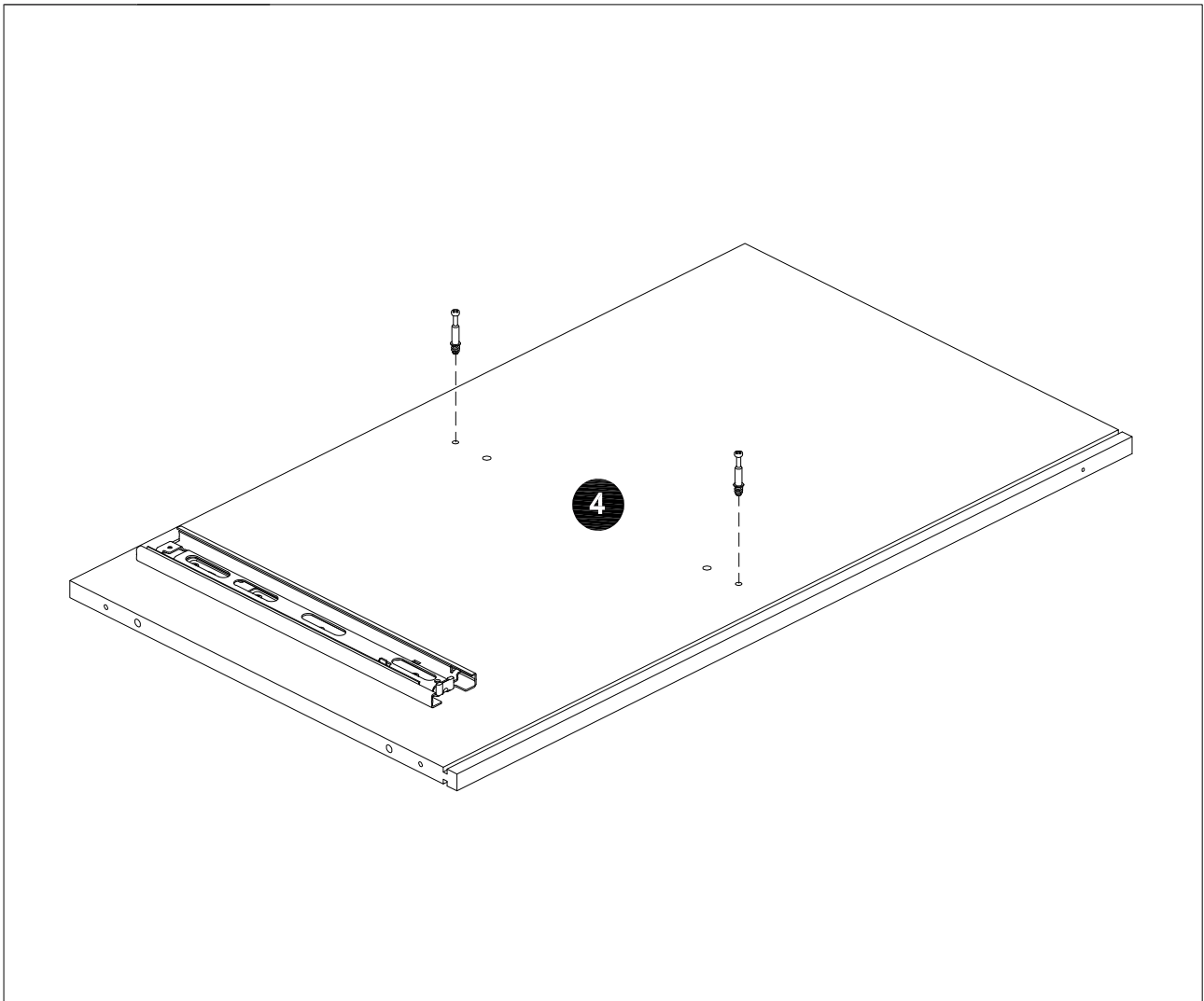
STEP 3**B** X4**P**

STEP 4

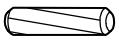
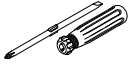
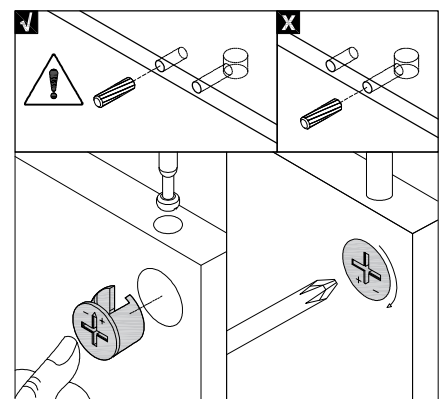
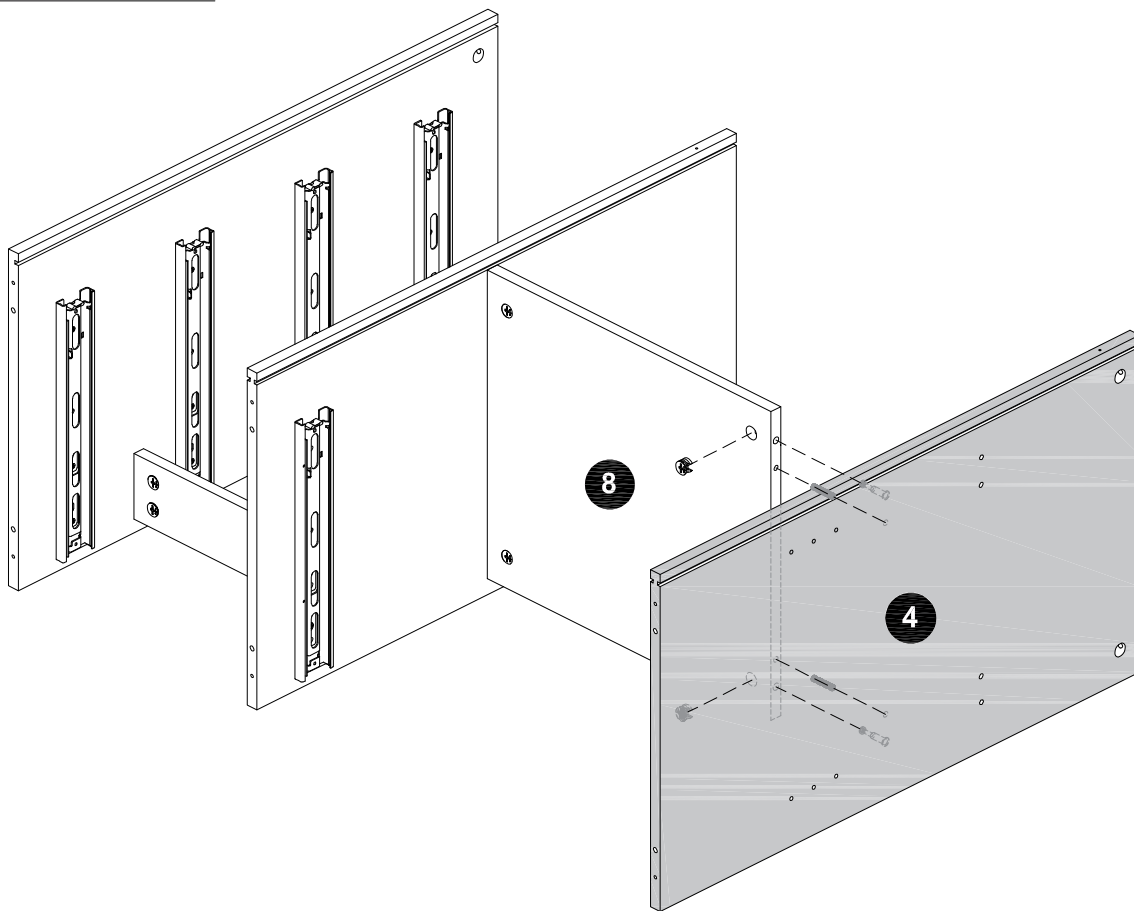


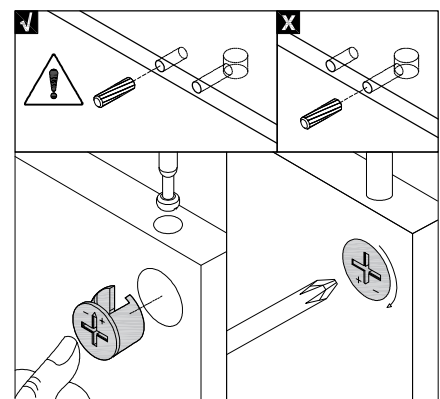
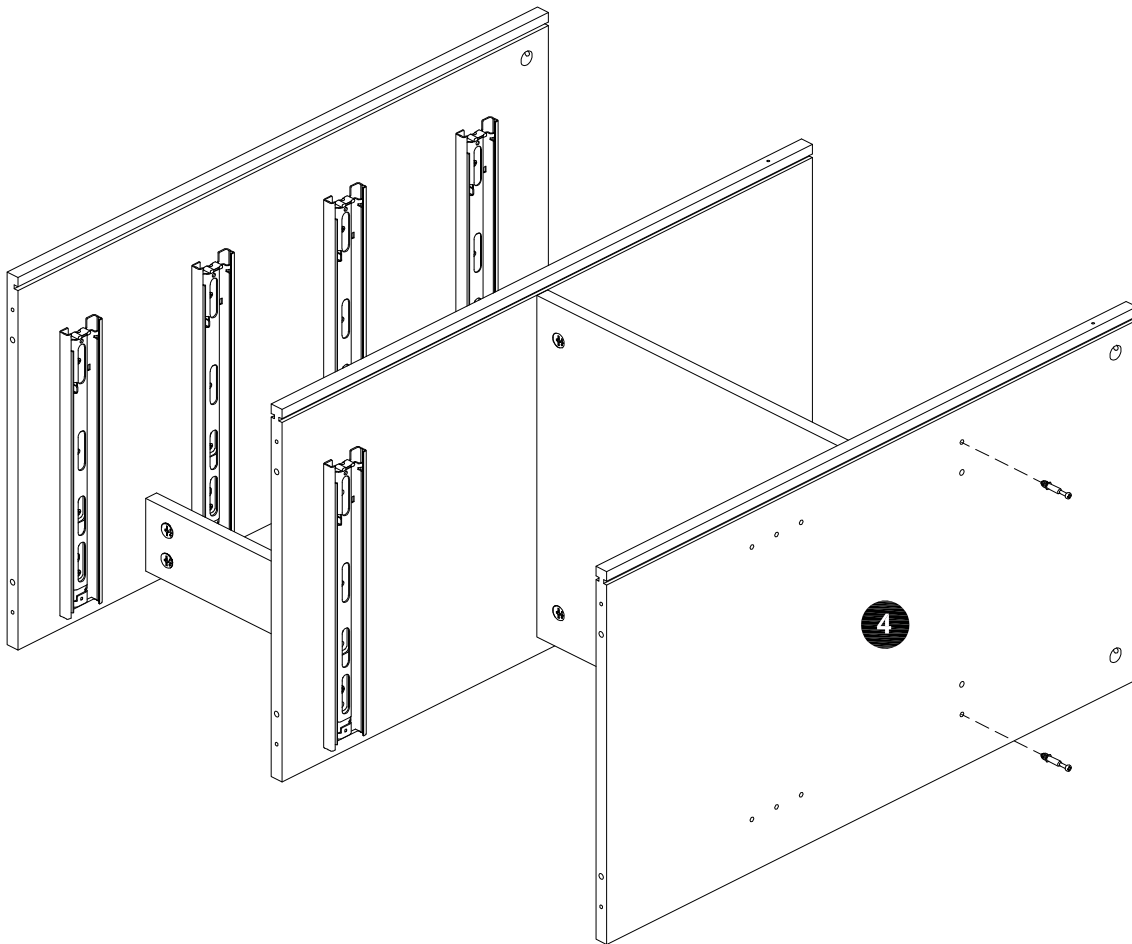

 Install the screw correctly to secure the screw.

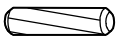
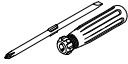
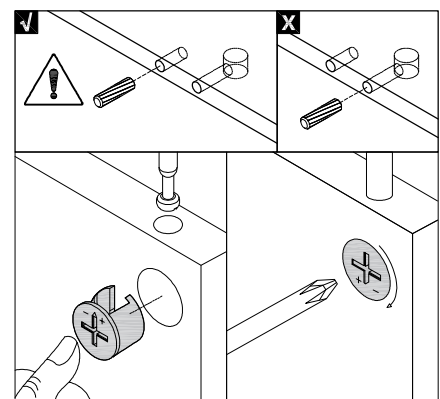
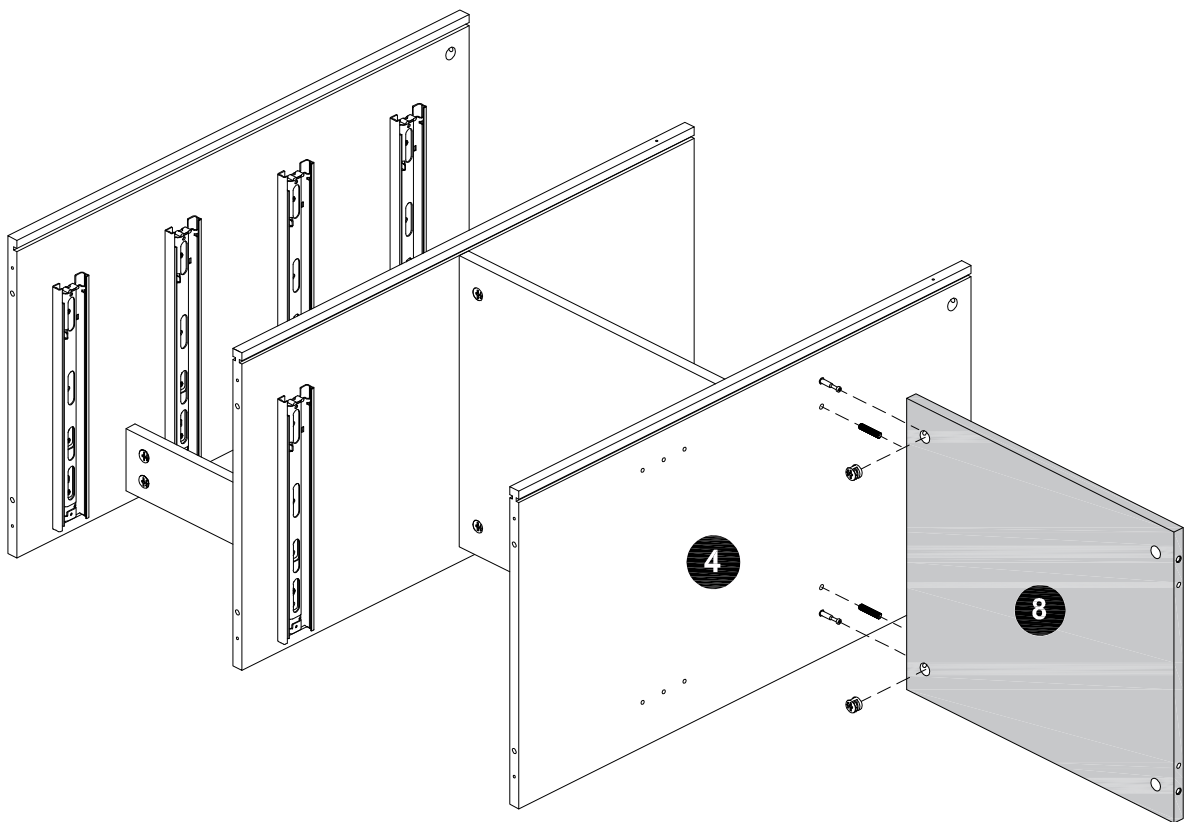
STEP 5**B** X2**C** X2**P**

STEP 6 **A** X2 **P**

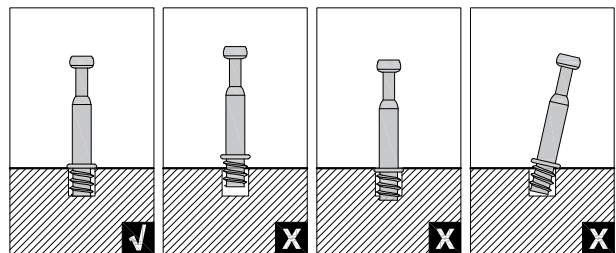
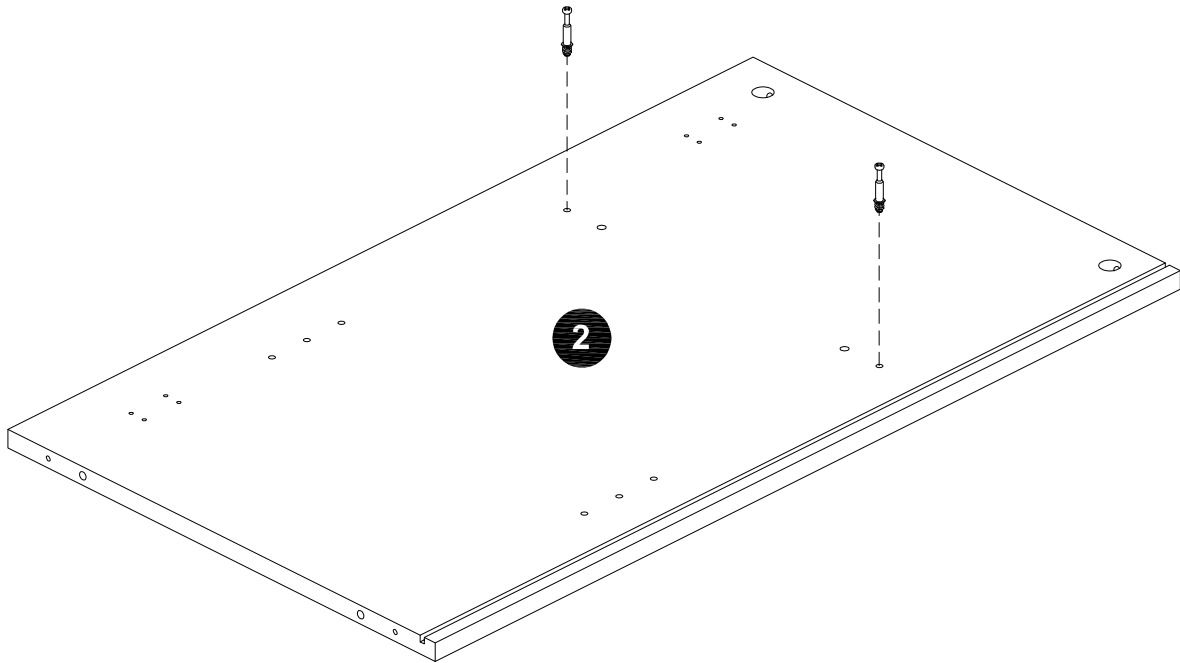
Install the screw
correctly to secure
the screw.


STEP 7**B** X2**C** X2**P**

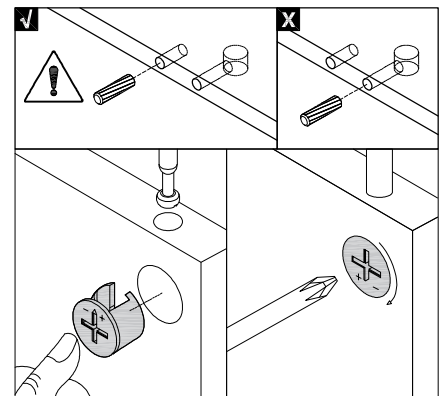
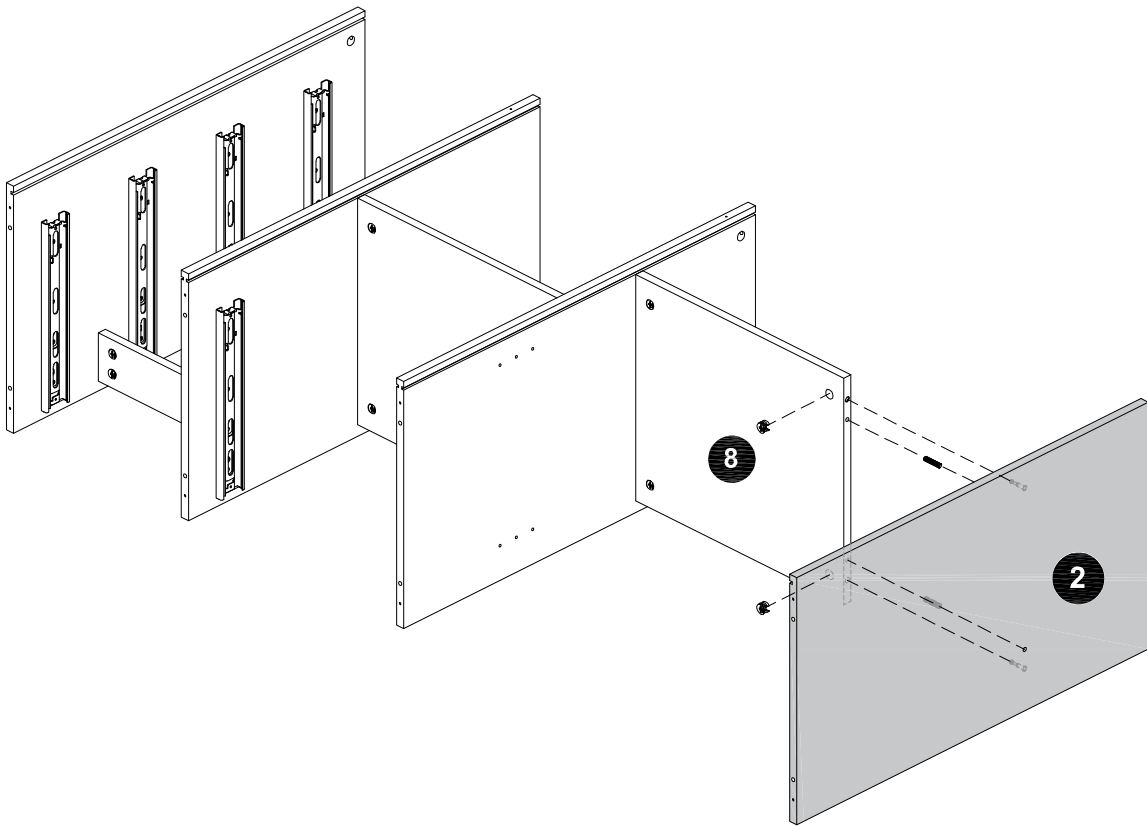
STEP 8 **A** X2 **P**

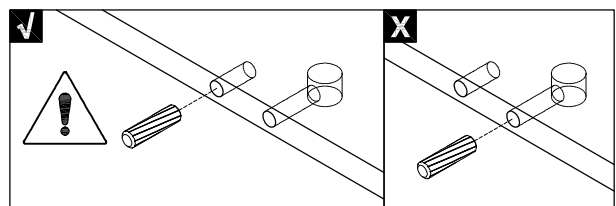
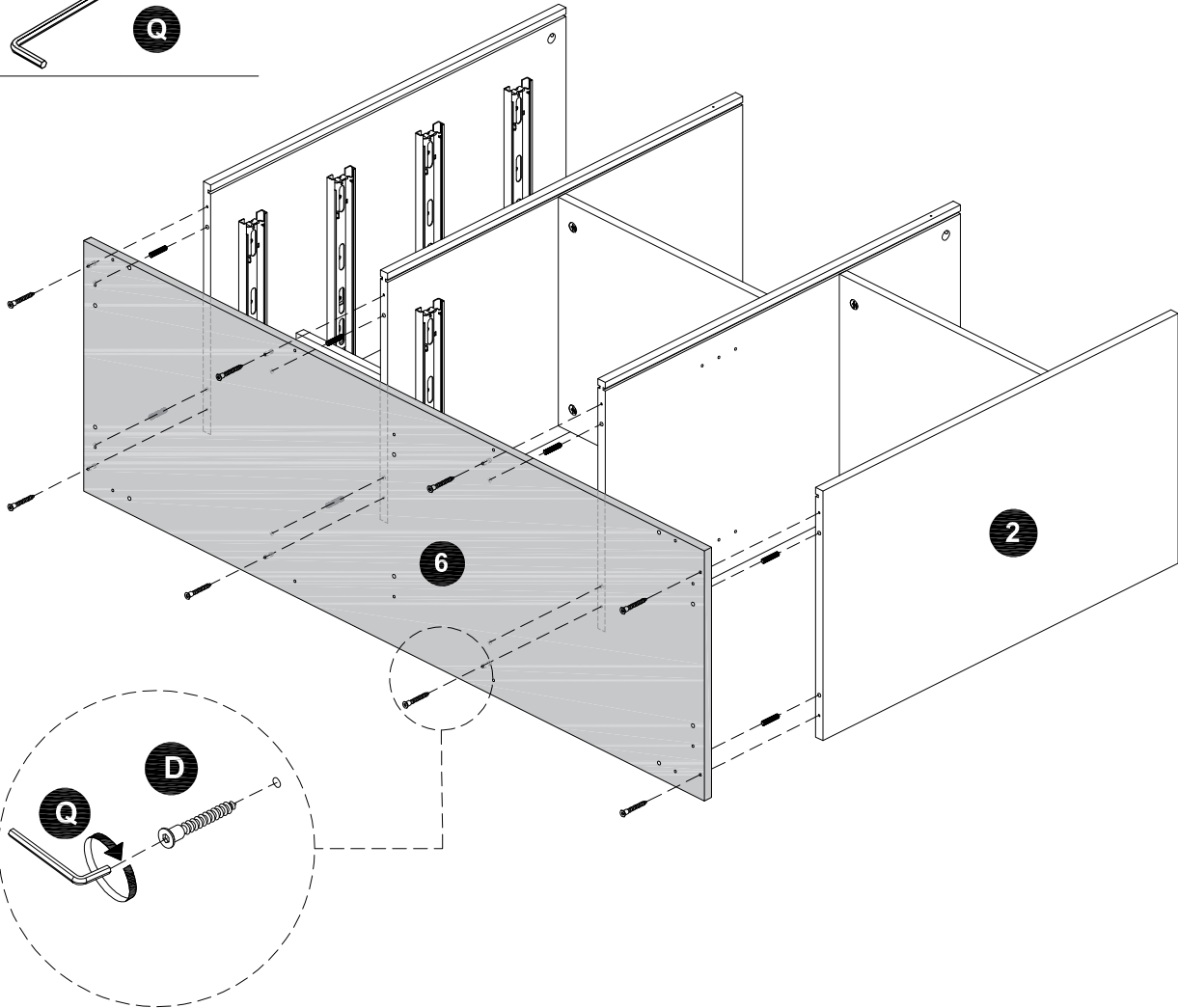
STEP 9**B** X2**C** X2**P**

STEP 10




 Install the screw correctly to secure the screw.

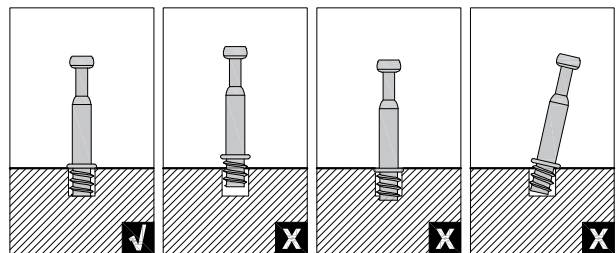
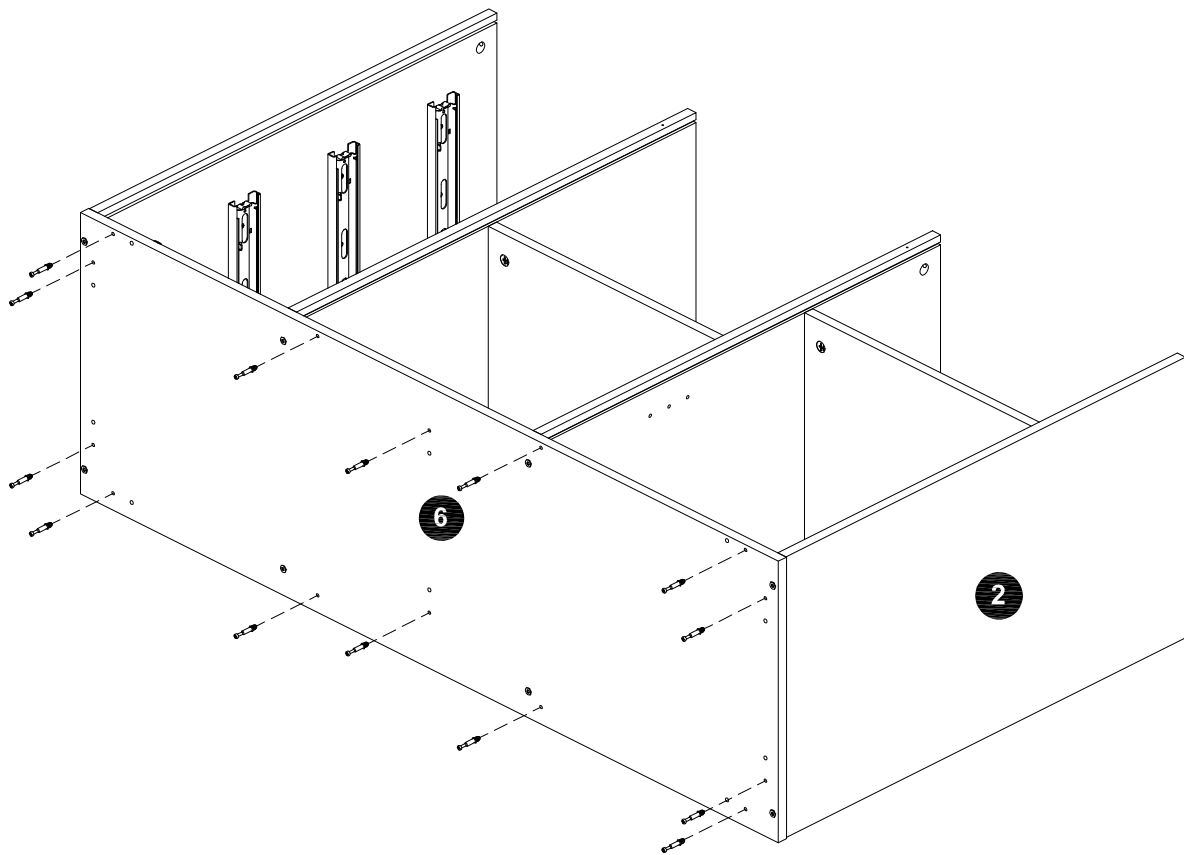
STEP 11

STEP 12 **C** X8 **D** X8 **Q**

STEP 13

 **A** X14

 **P**

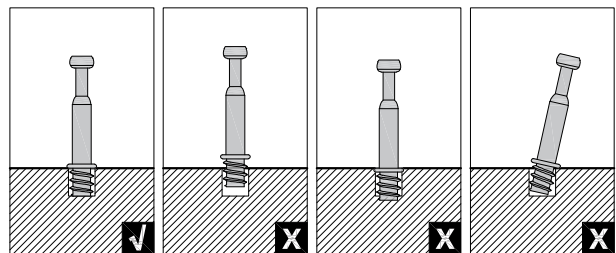
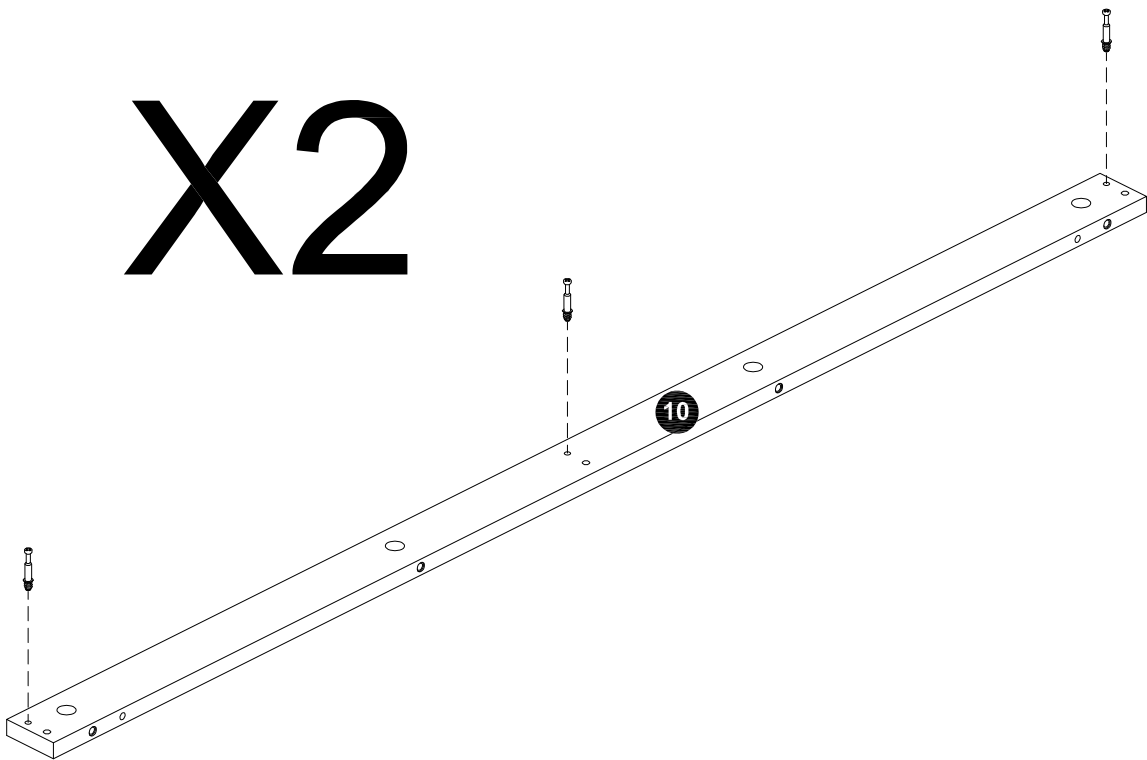


Install the screw correctly to secure the screw.

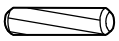
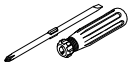
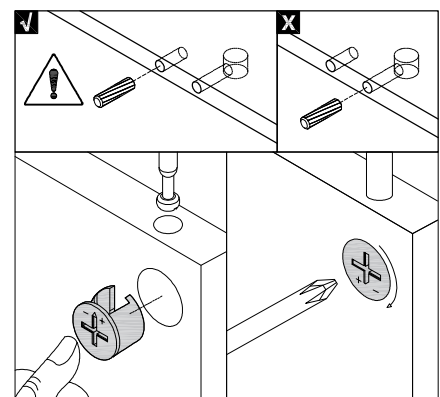
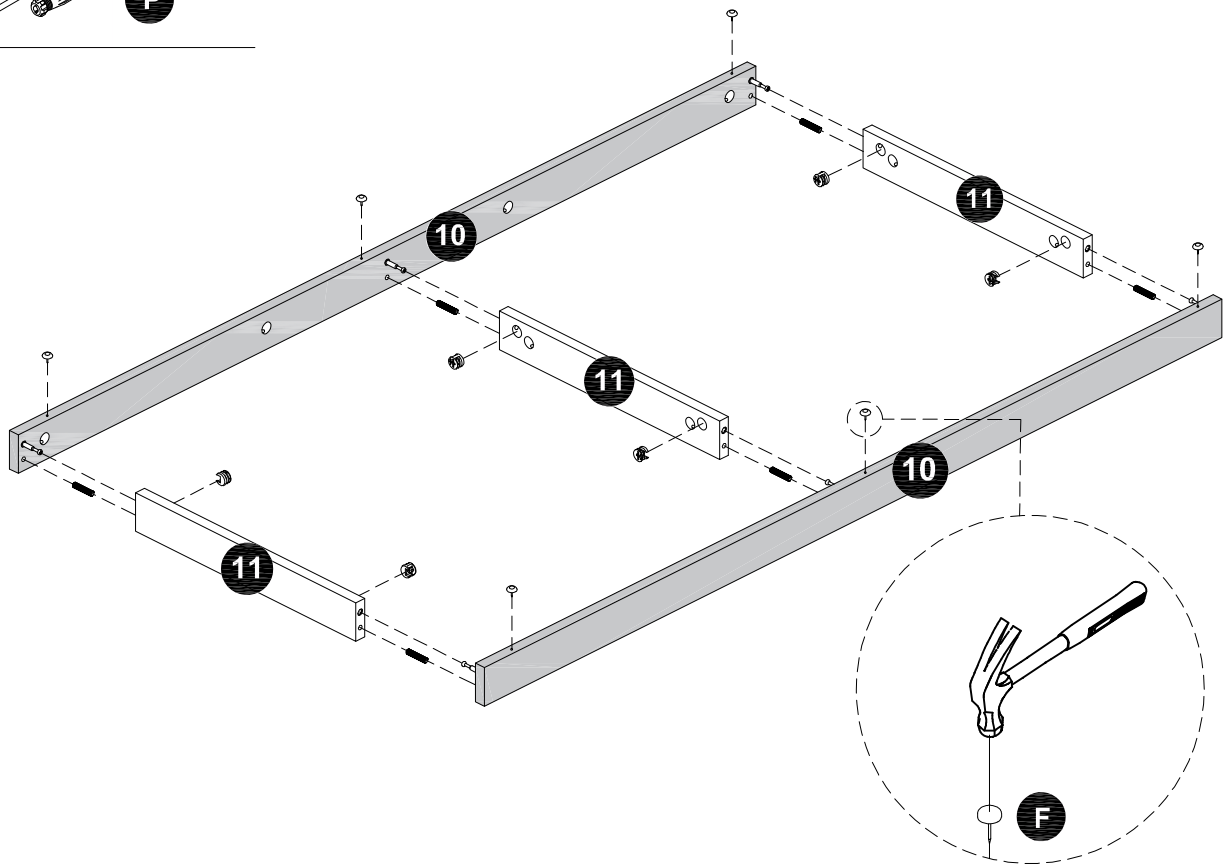
STEP 14



X2



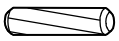
Install the screw correctly to secure the screw.

STEP 15**B** X6**C** X6**F** X6**P**

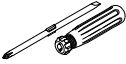
STEP 16



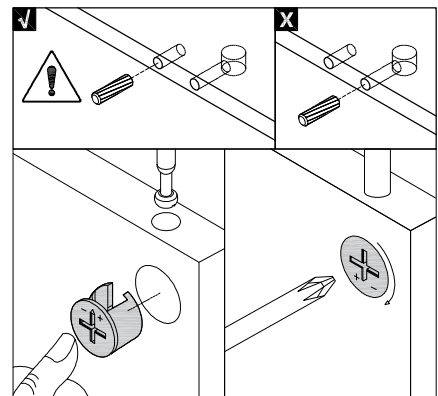
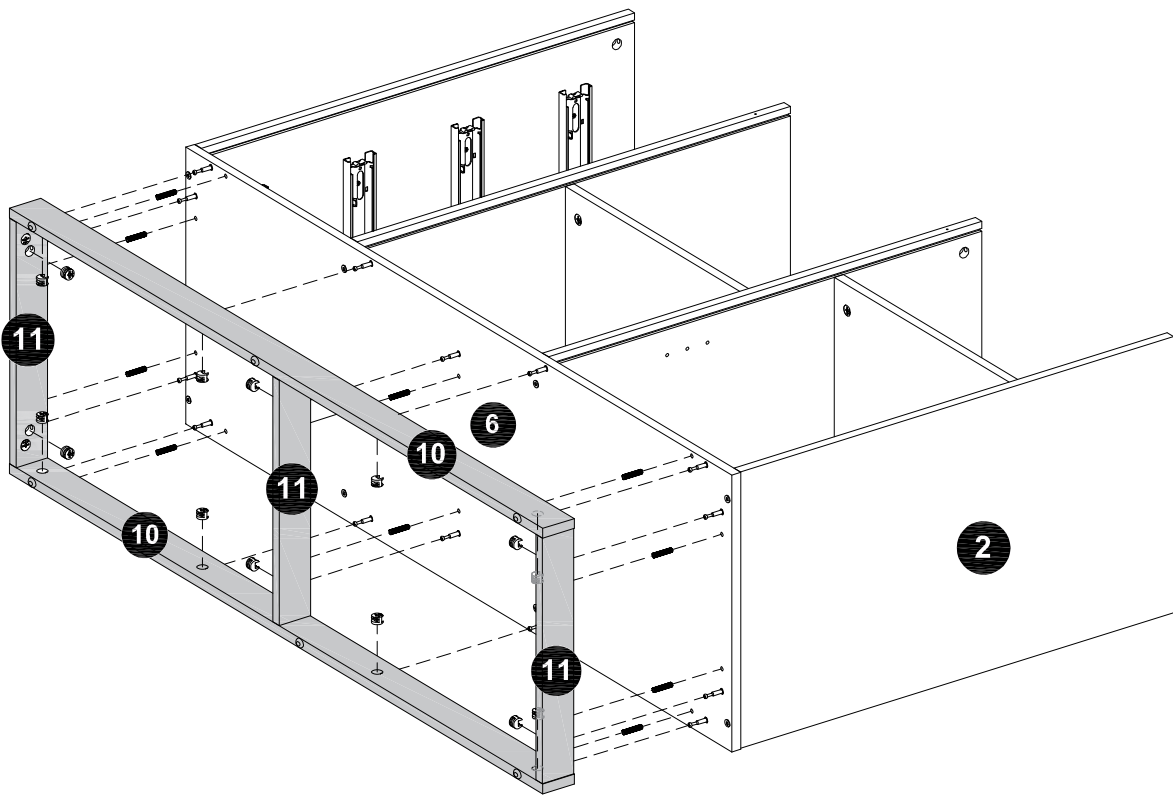
B X14

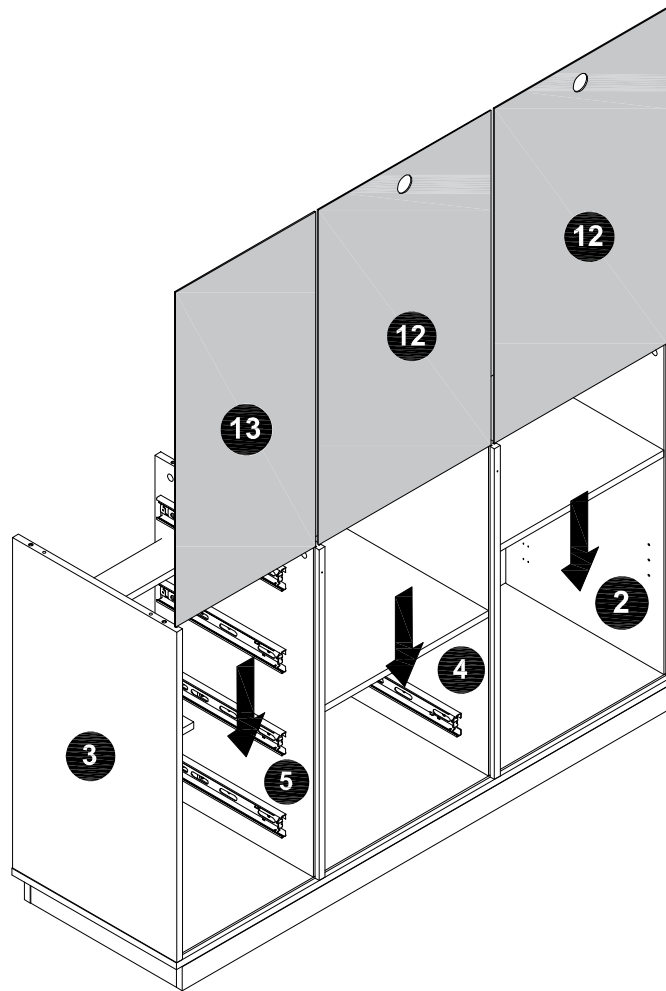


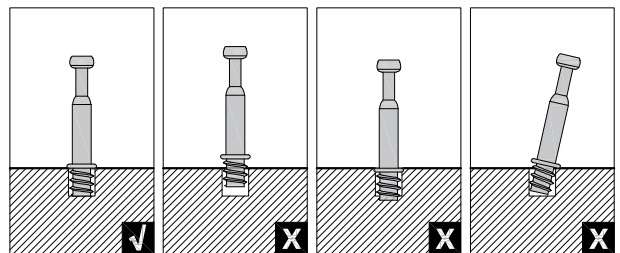
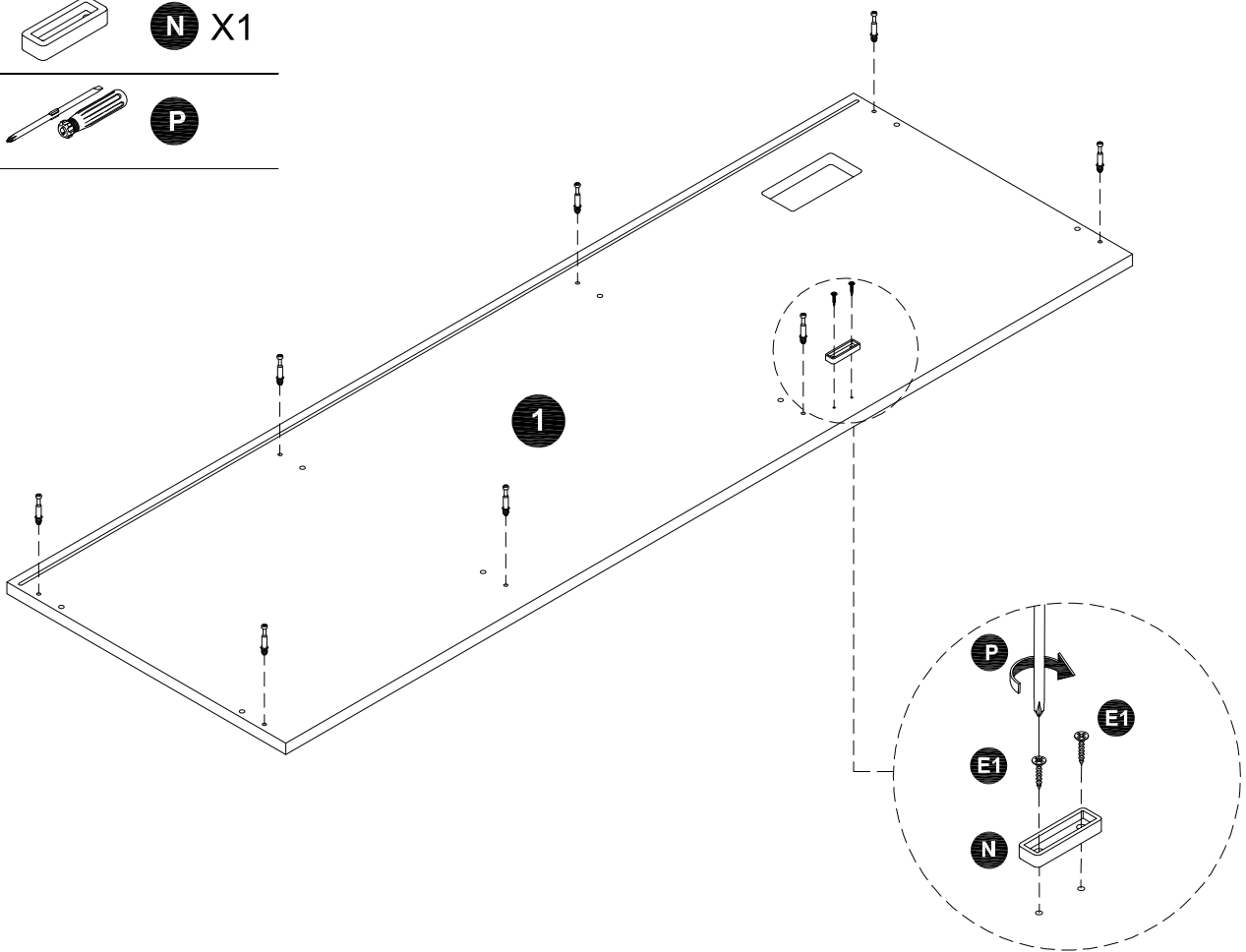
C X10



P


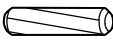
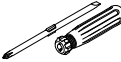


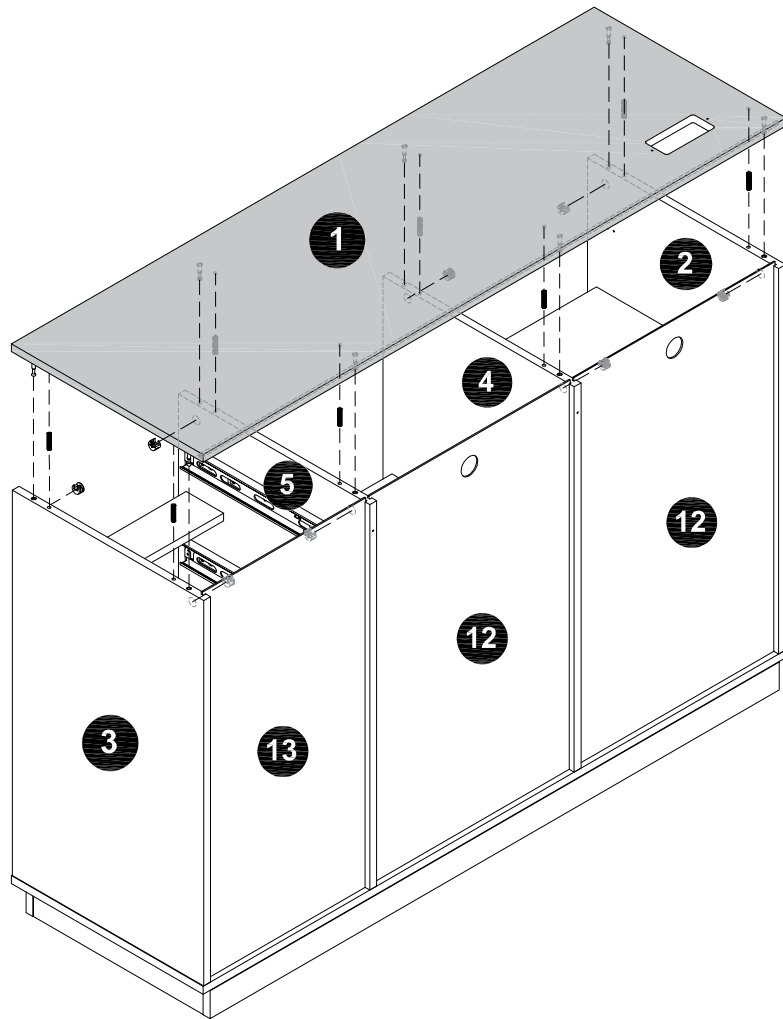
STEP 17

STEP 18 **A** X8 **E1** X2 **N** X1 **P**

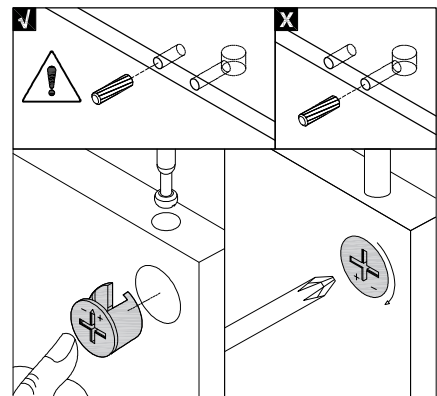
Install the screw correctly to secure the screw.

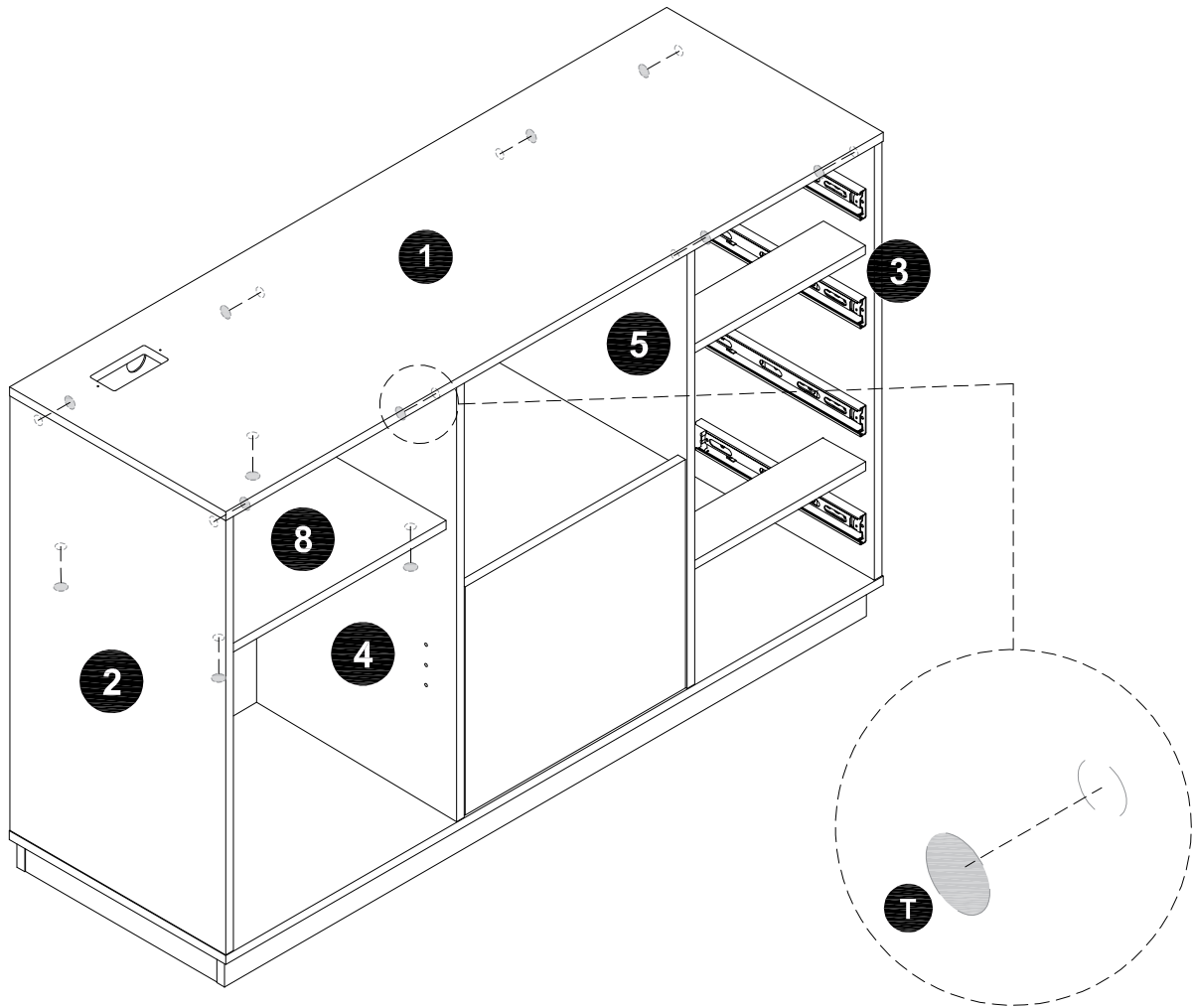
STEP 19

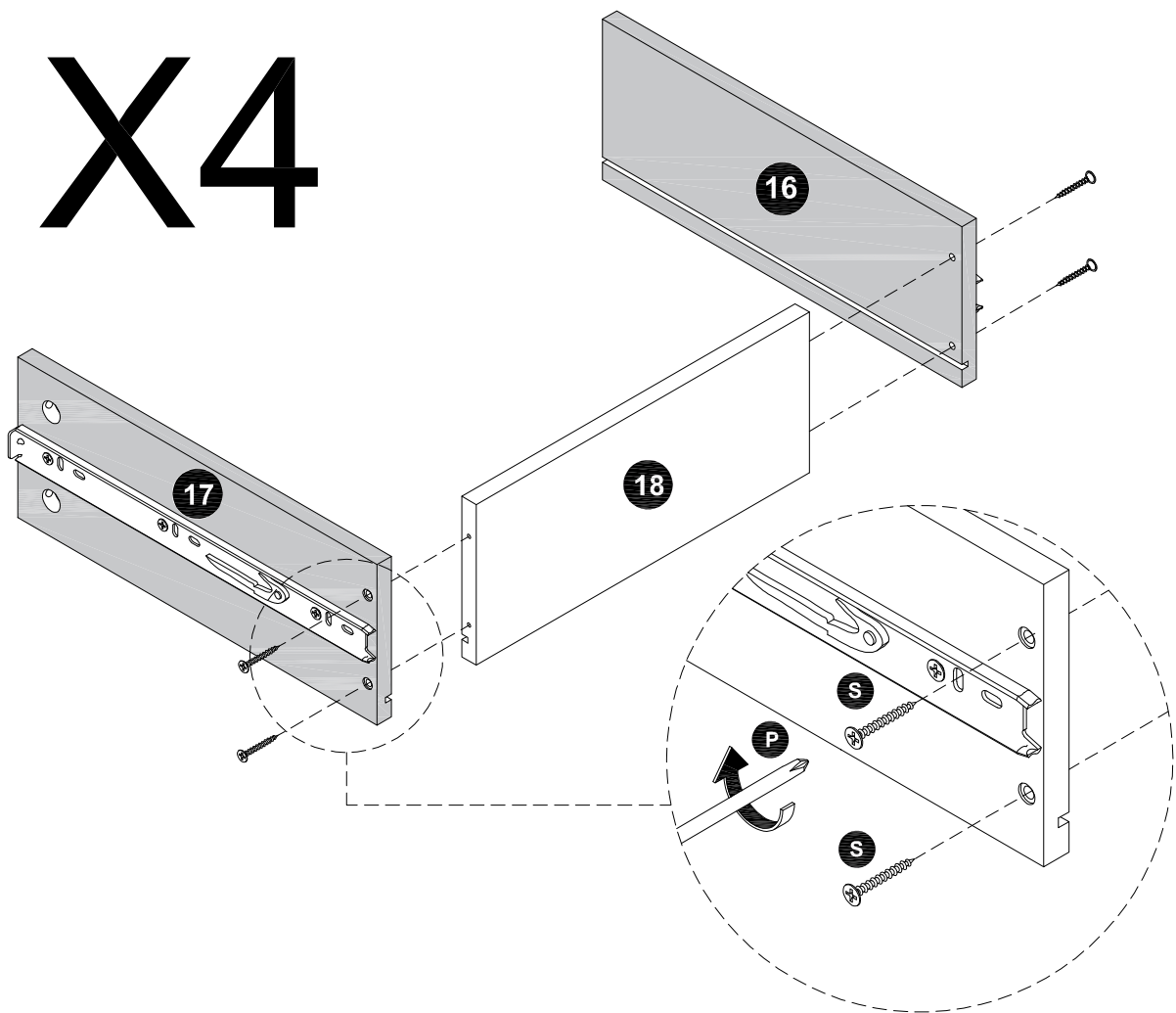
- 
B X8
- 
C X8
- 
P

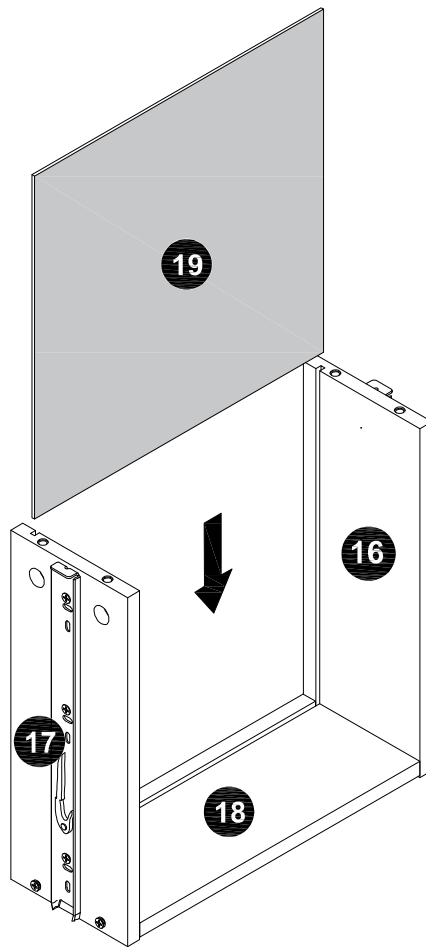


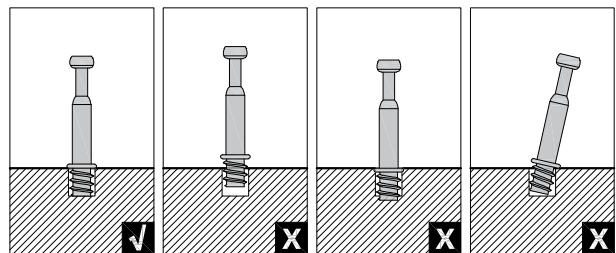
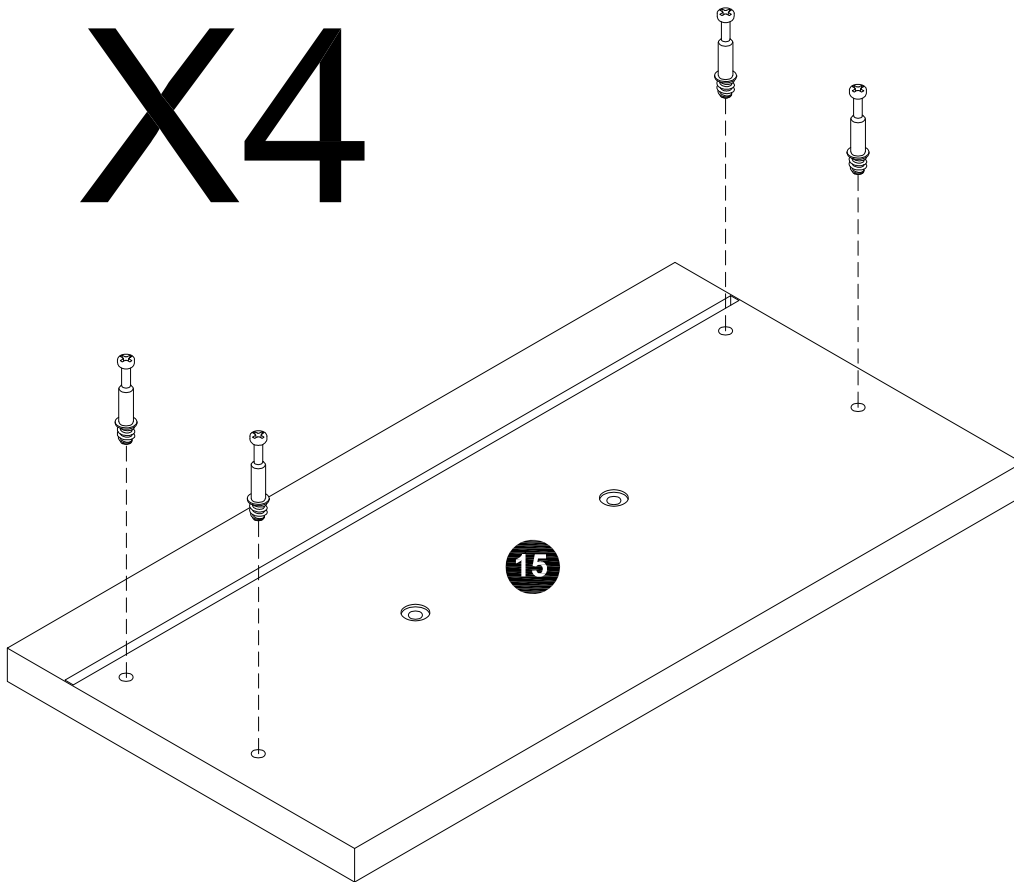
Turn over 180°



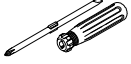
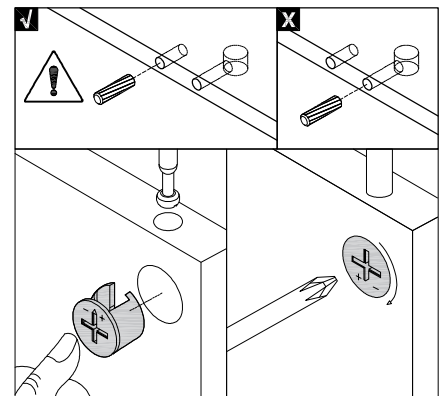
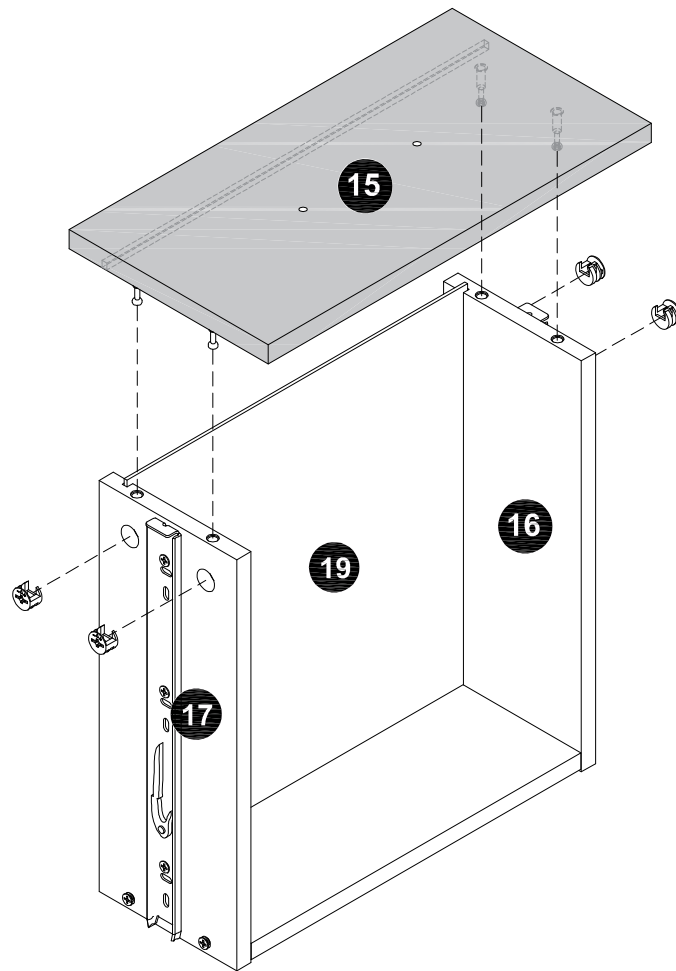
STEP 20

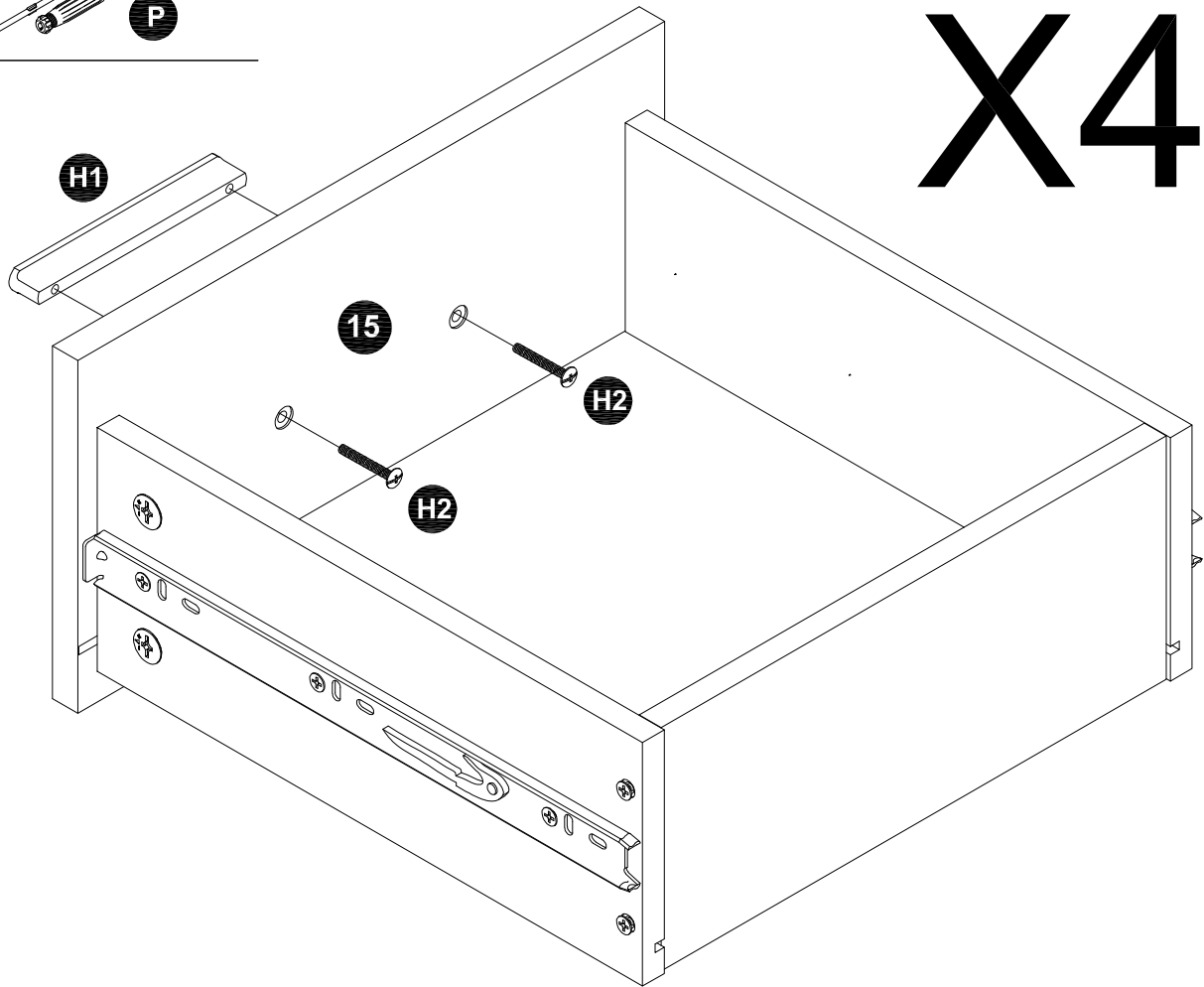
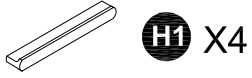
STEP 21 **S** X16 **P****X4**

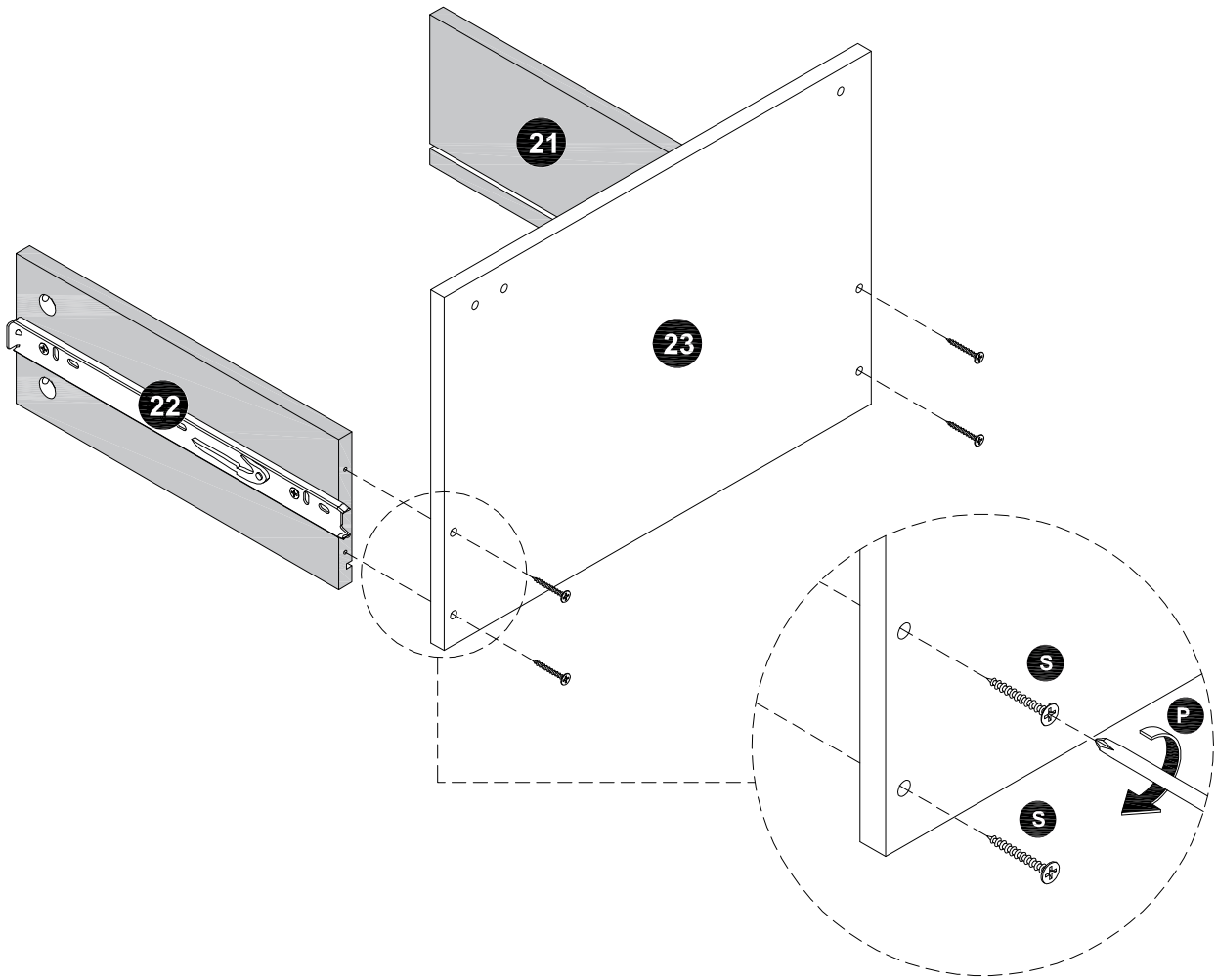
STEP 22**X4**

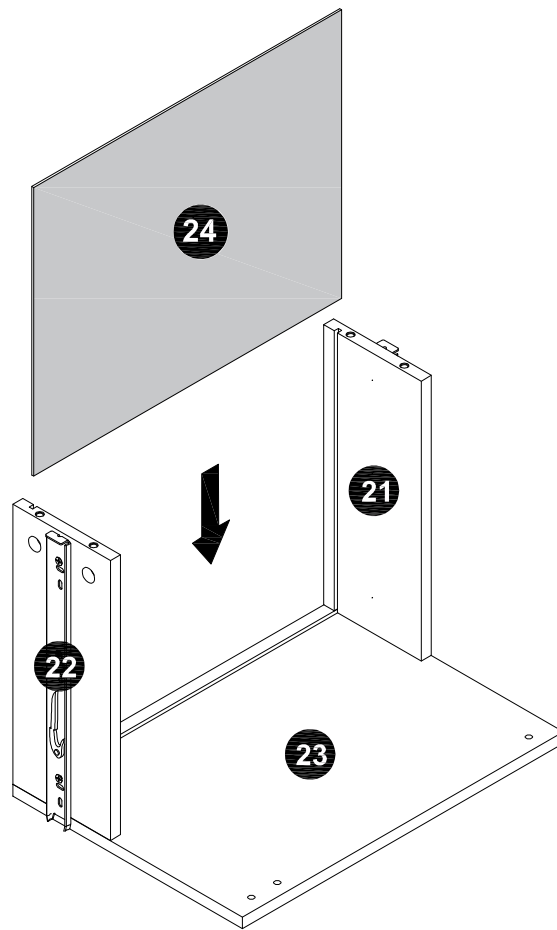
STEP 23 **A** X16 **P****X4**

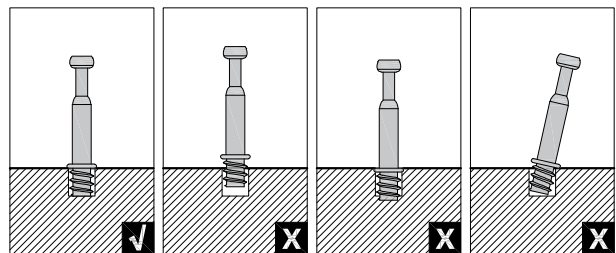
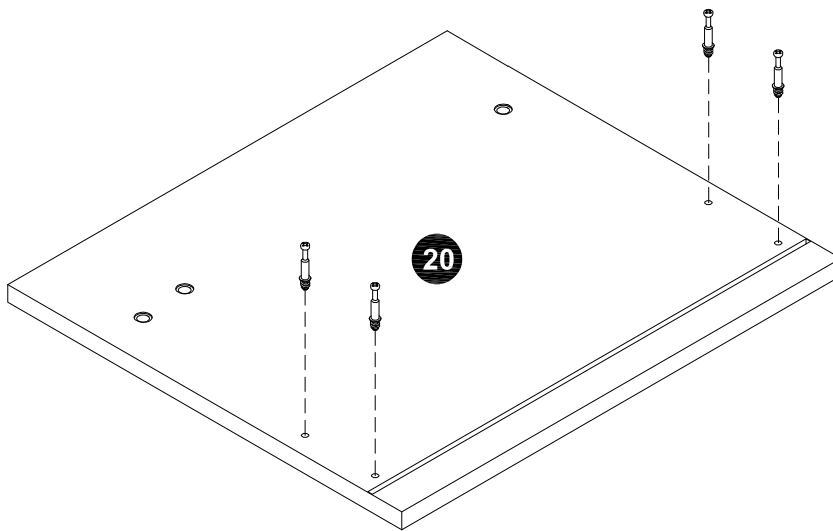
Install the screw
correctly to secure
the screw.

STEP 24**B** X16**P****X4**

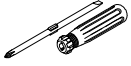
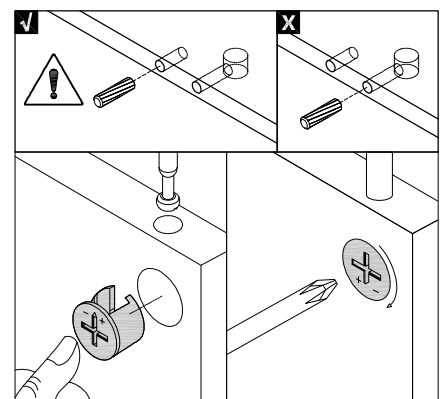
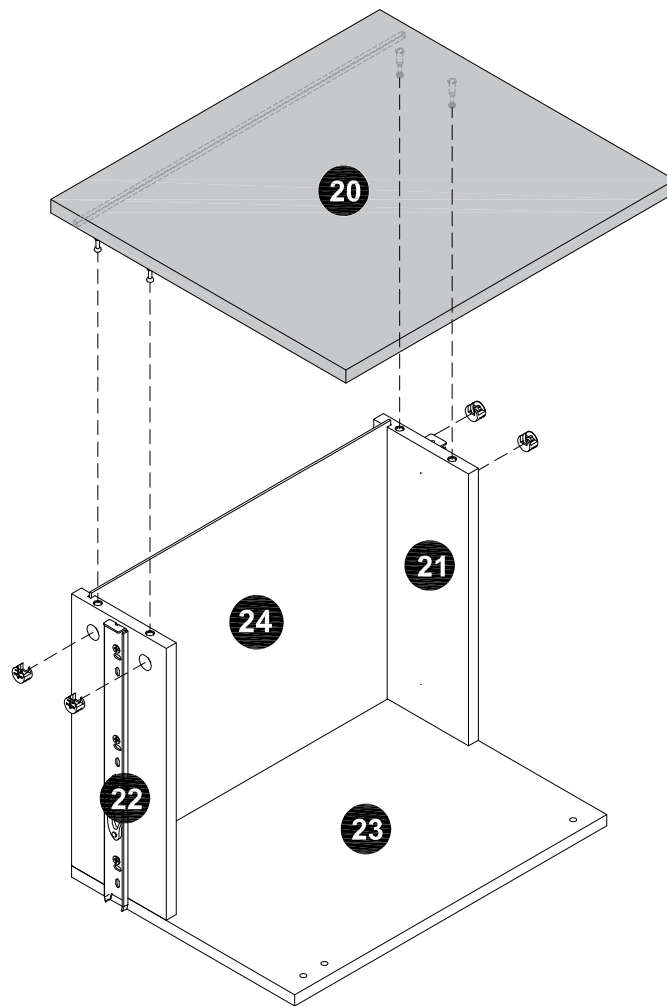
STEP 25

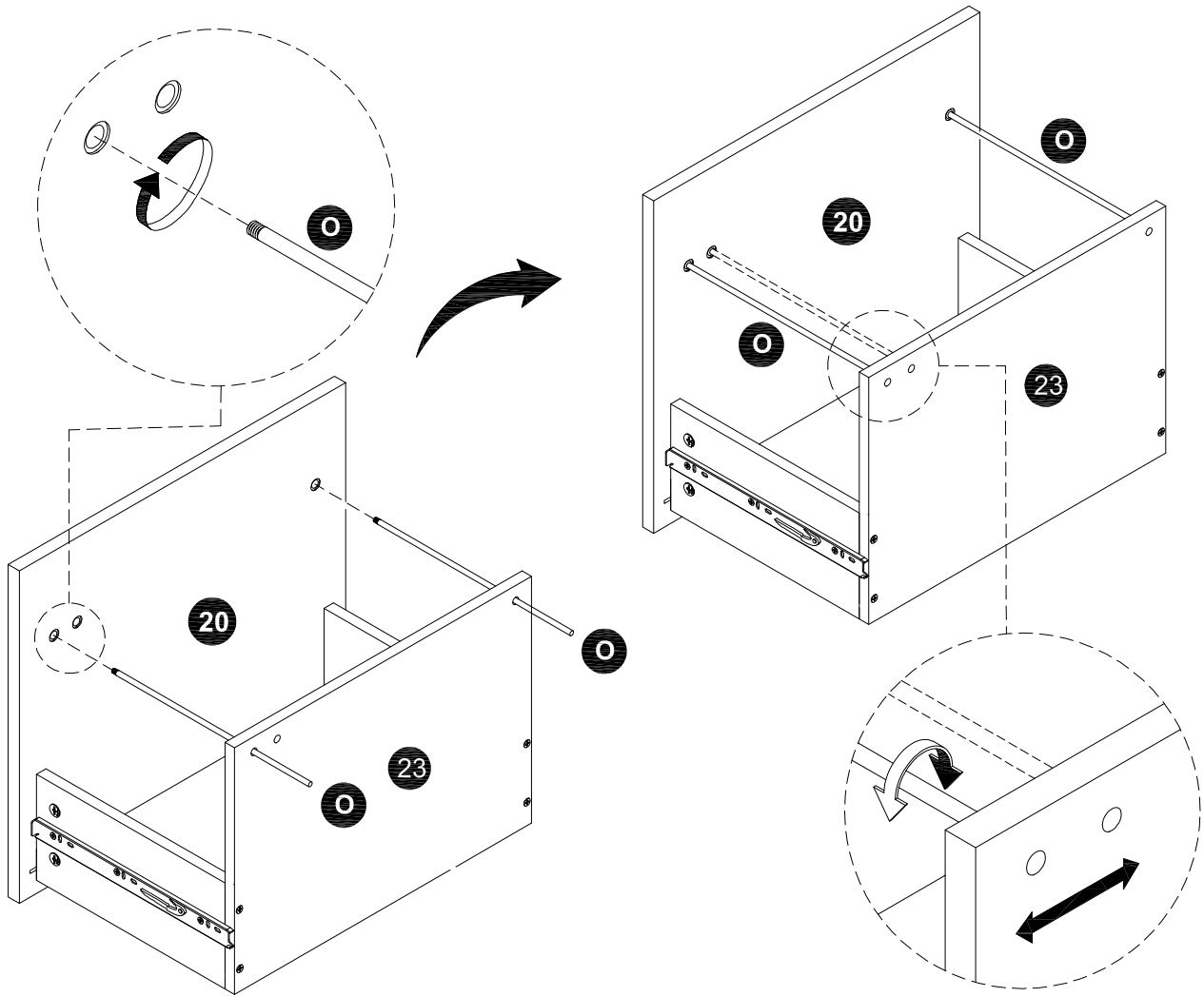
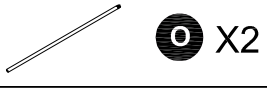
STEP 26 **S** X4 **P**

STEP 27

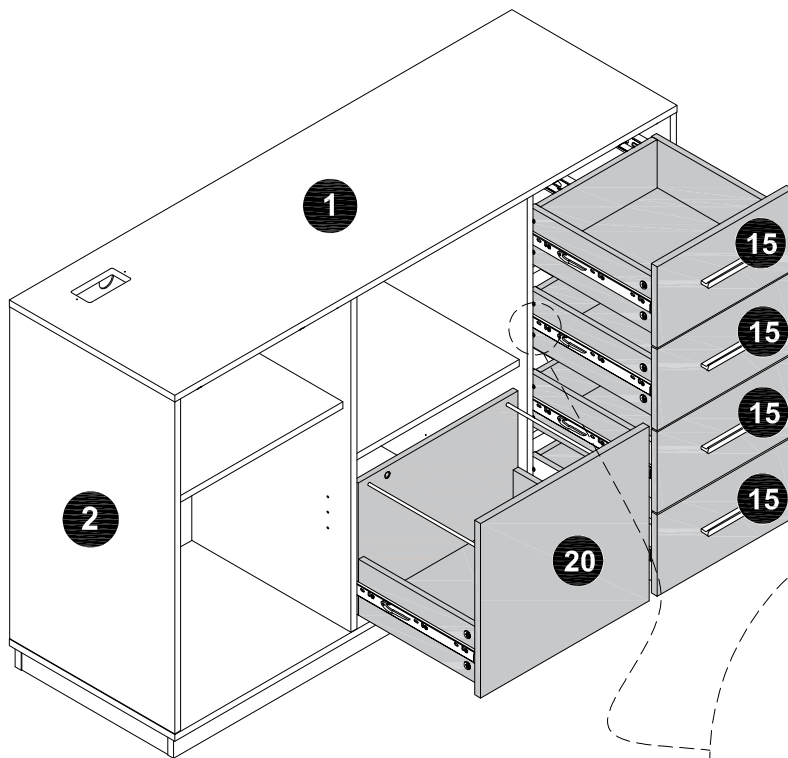
STEP 28 **A** X4 **P**

Install the screw
correctly to secure
the screw.

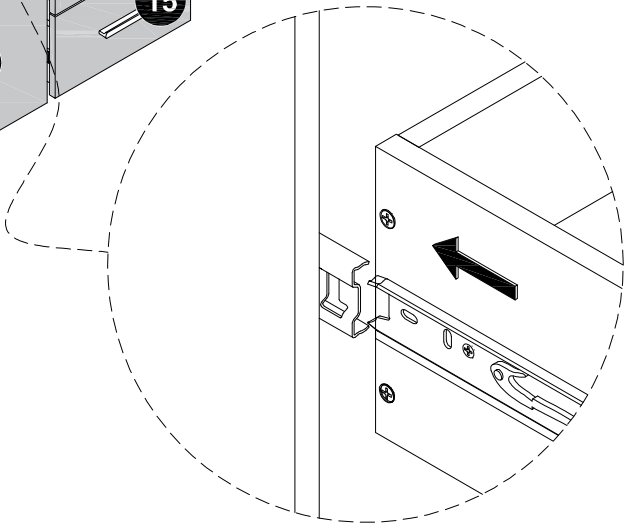
STEP 29**B** X4**P**

STEP 30

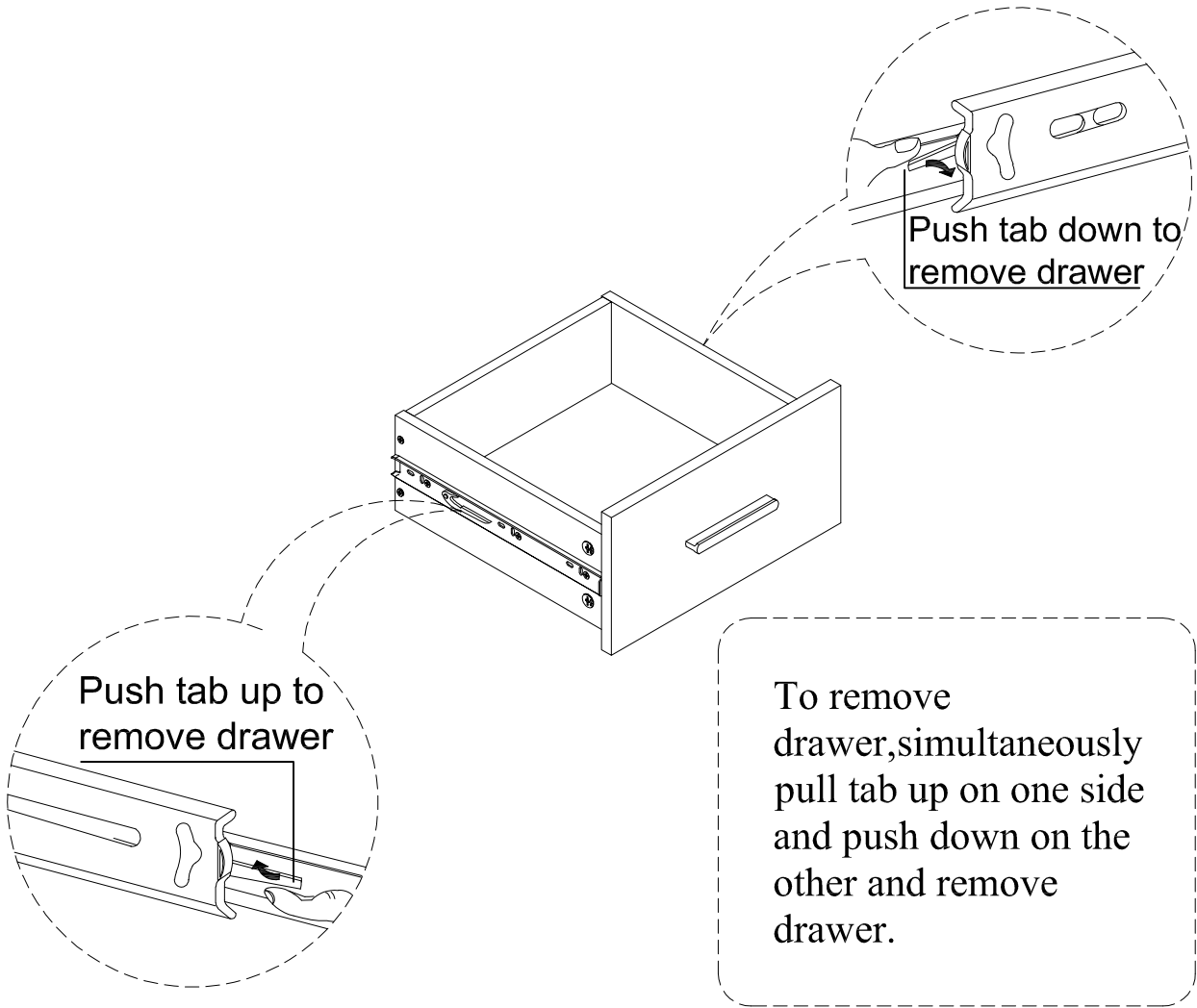
STEP 31

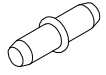
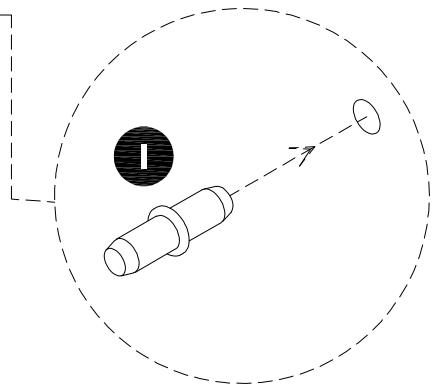
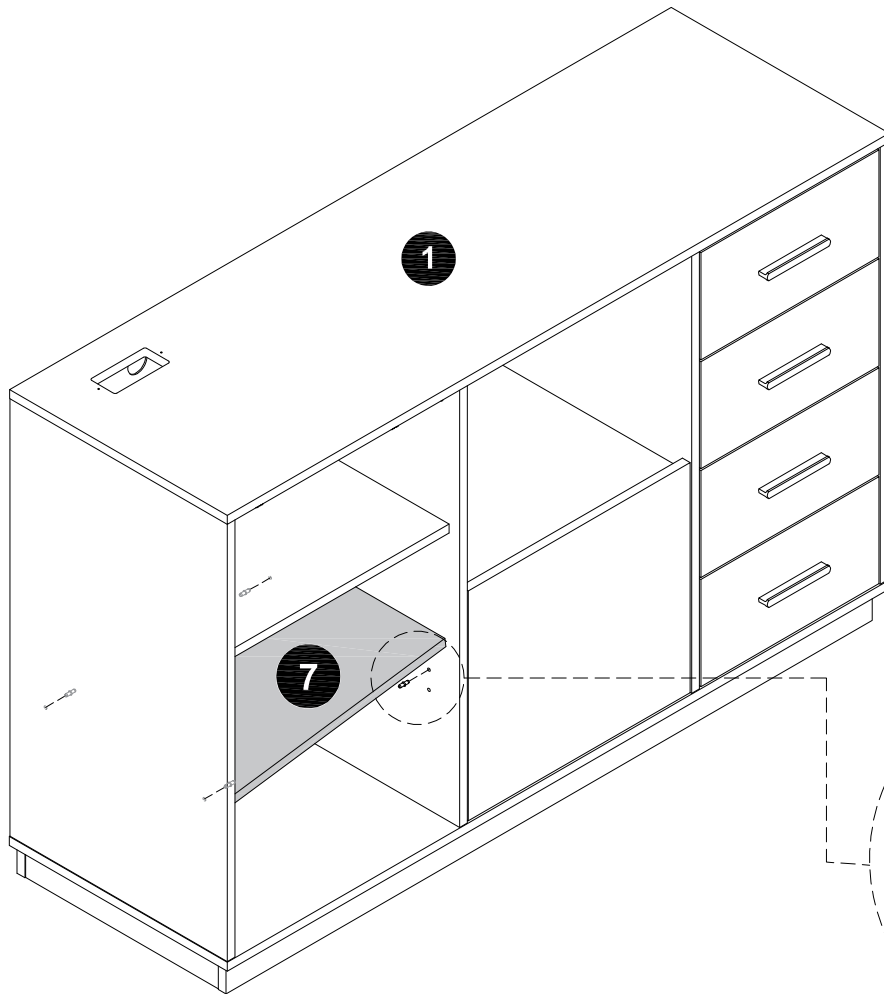


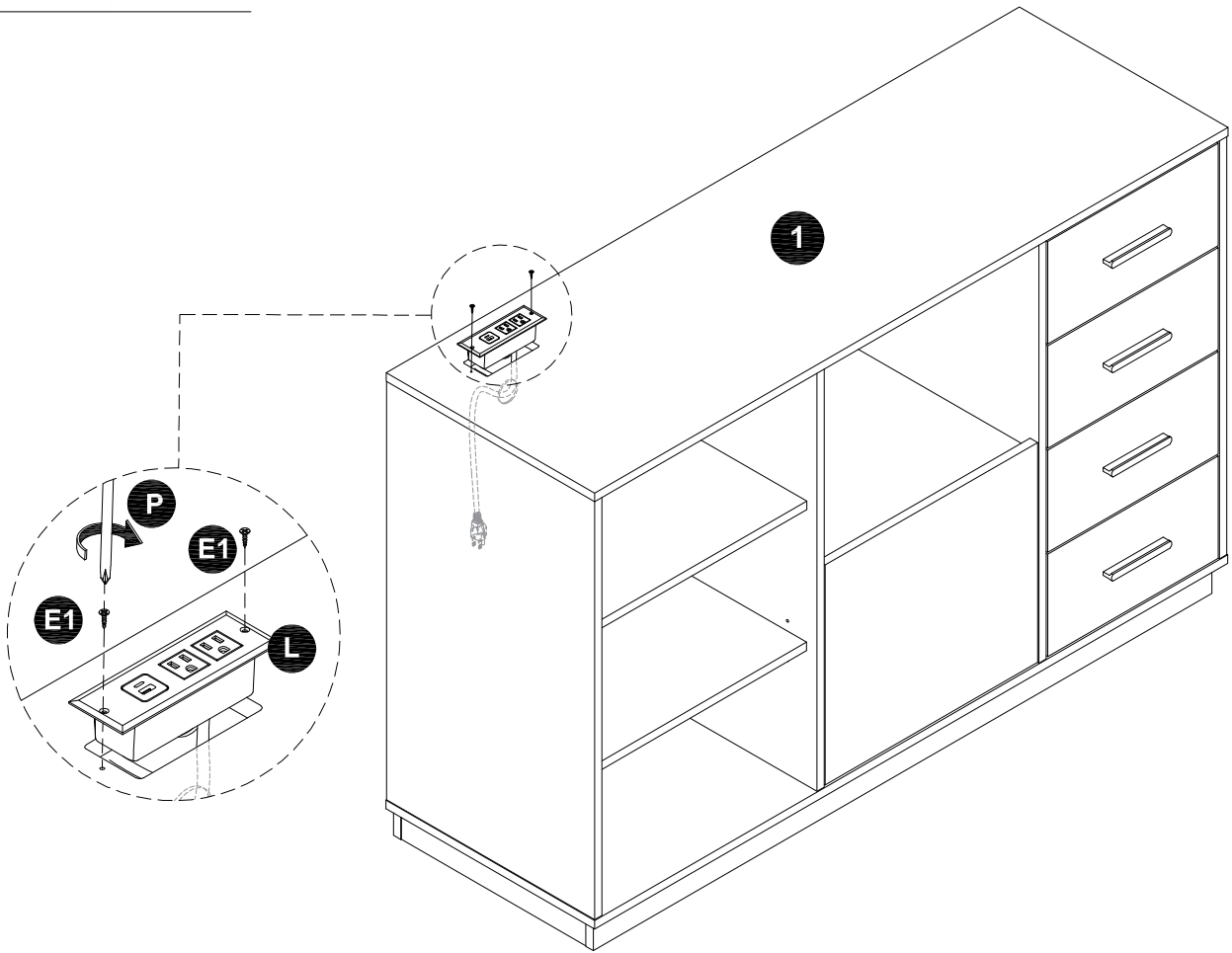
REMARK:
Align the slides and push the drawer carefully inside until it stops.
* If the drawer does not go in smoothly please take it out and repeat the step.

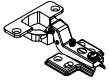
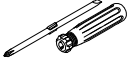
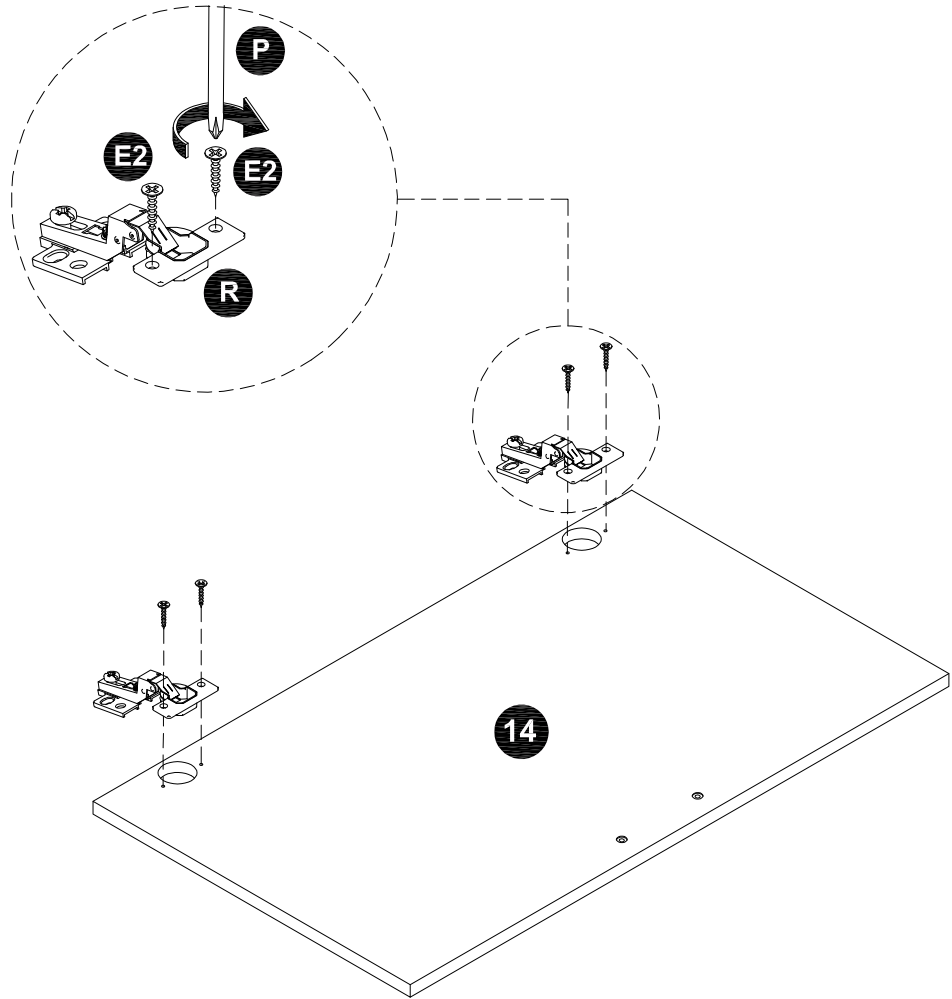


STEP 32


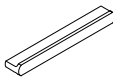

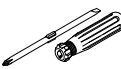


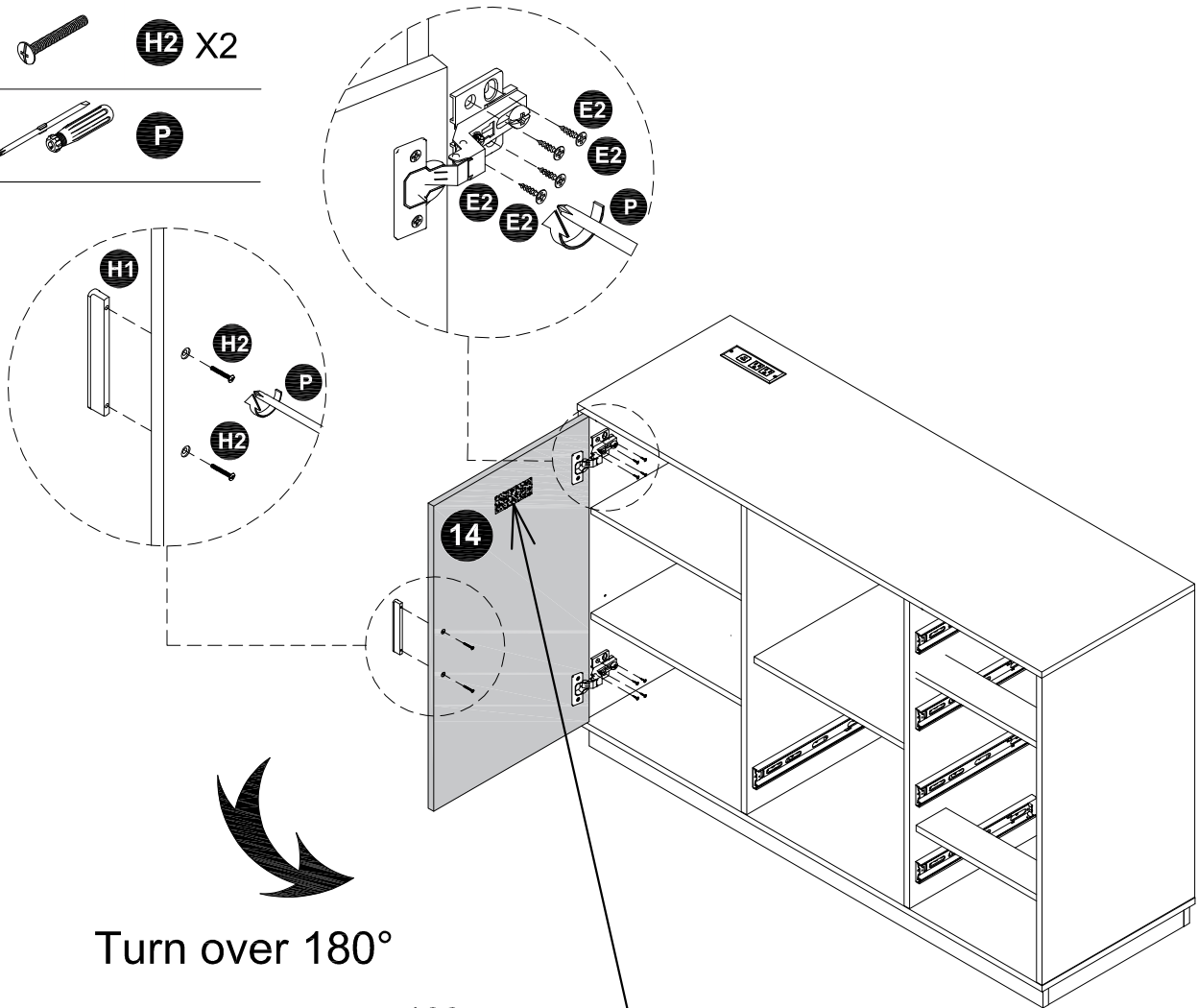
STEP 33**1** X4

STEP 34 **E1** X2 **L** X1 **P**

STEP 35**E2** X4**R** X2**P**

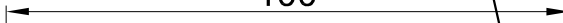
STEP 36

-  **E2** X8
-  **H1** X1
-  **H2** X2
-  **P**

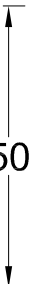


Turn over 180°

100



50

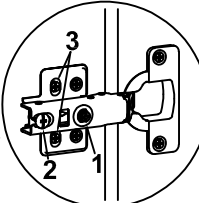


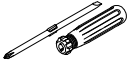
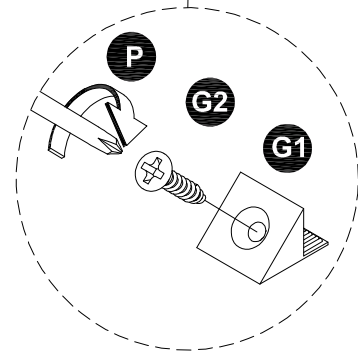
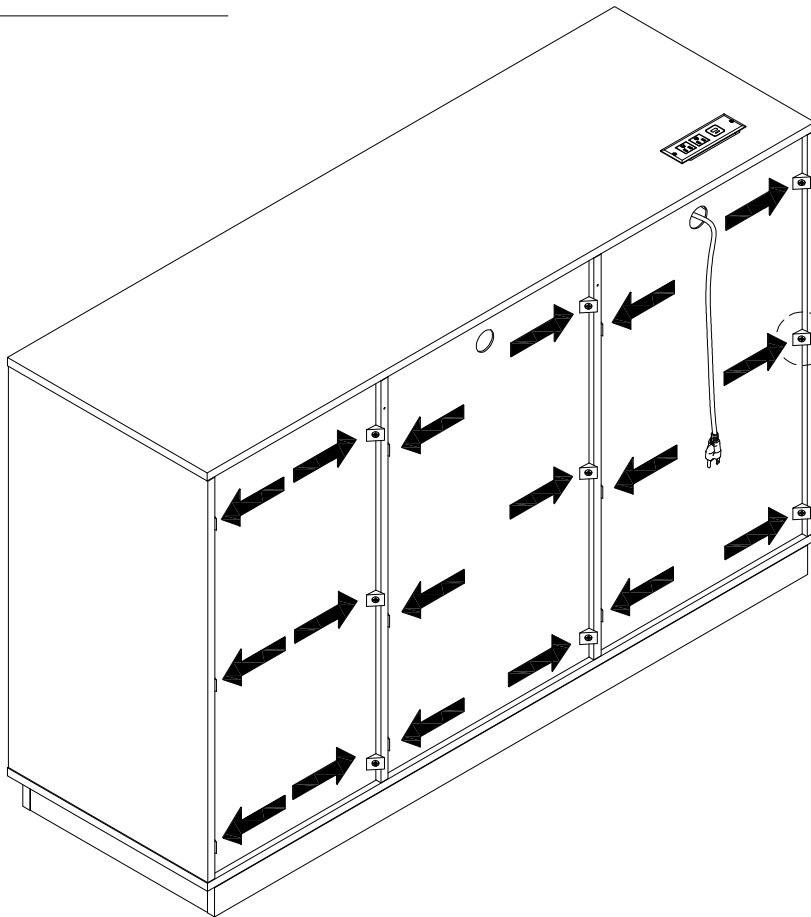
Three-way adjustable hinge for perfectly aligned doors
Charnière réglable à trois niveaux pour centrer parfaitement les portes
Bisagra ajustable de tres formas, para perfecta alineación de puertas

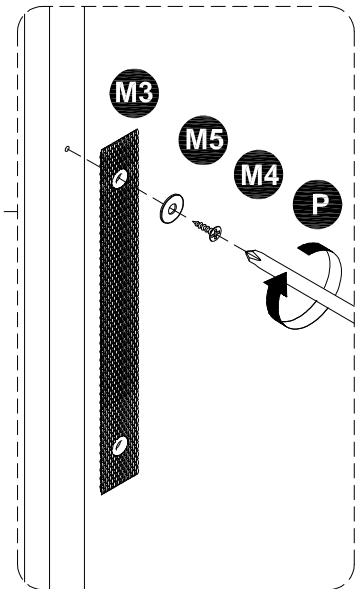
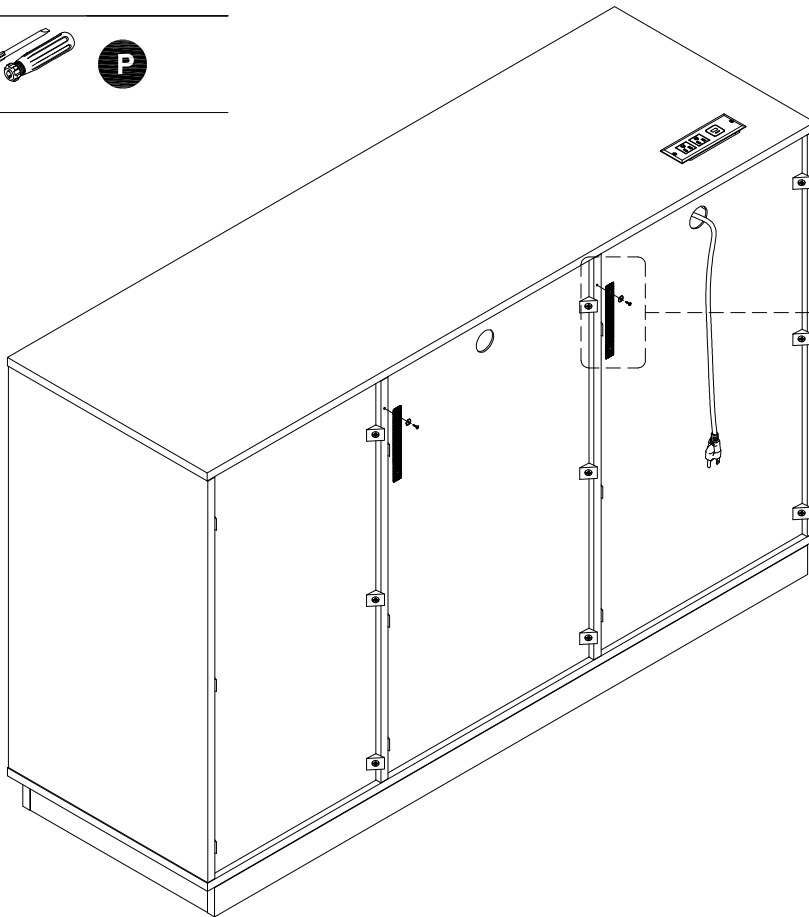
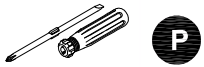
1. TO ADJUST THE DOOR TO RIGHT OR TO LEFT.
2. TO ADJUST THE DOOR FORWARD OR BACKWARD.
3. TO ADJUST THE DOOR UP OR DOWN.

1. POUR AJUSTER LA PORTE VERS LA DROITE OU LA GAUCHE.
2. POUR AJUSTER LA PORTE VERS L'AVANT OU L'ARRIERE.
3. POUR AJUSTER LA PORTE VERS LE HAUT OU LE BAS.


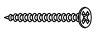

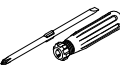
1. PARA LA DERECHA O IZQUIERDA.
2. PARA AJUSTAR HACIA ENFRENTE Y HACIA ATRAS.
3. PARA AJUSTAR HACIA ARRIBA O HACIA ABAJO.

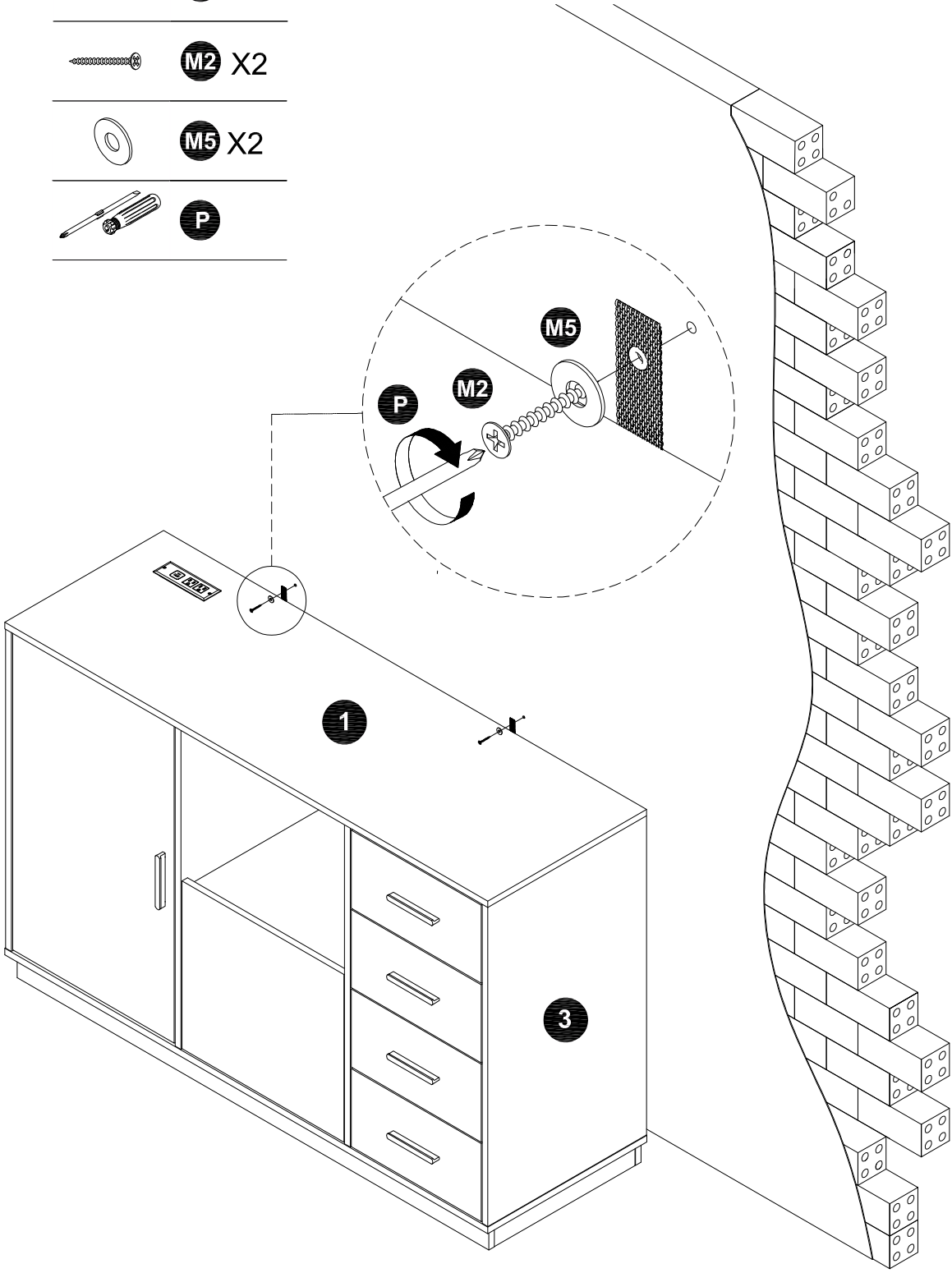


STEP 37**G1** X18**G2** X18**P**

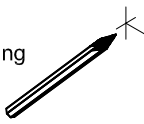
STEP 38

STEP 39

-  **M1** X2
-  **M2** X2
-  **M5** X2
-  **P**

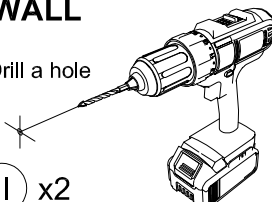


WALL
Mark the hole drilling location



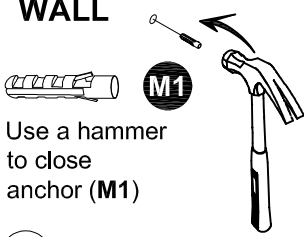
I x2

WALL
Drill a hole



II x2

WALL



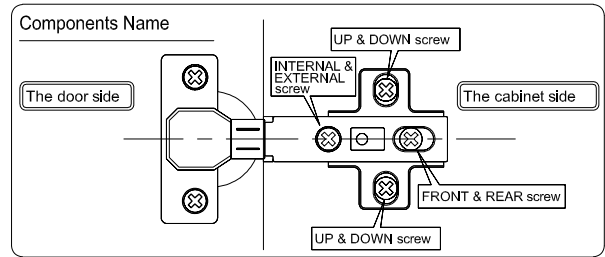
Use a hammer to close anchor (M1)

III x2

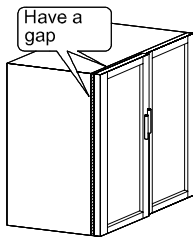
Step1: determine the location of the anti-overturning on the wall and then mark the position after confirming the product has been balanced.
 Step 2: drill the hole and then fixed the anchor (M1) on the wall
 Step 3: use screw (M2) to fix the strap (M3), and washers (M5) on the wall

The ways to adjust the door

- Before adjusting the hinge, please check whether the cabinet is skewed.
- If the skew can not be repaired, please remove the anti-tipping device first, then adjust the cabinet to vertical position.
- Please adjust the hinge with the door open.
- Please operate it with more than 2 people, one person holds the door and the other one adjusts the screw.

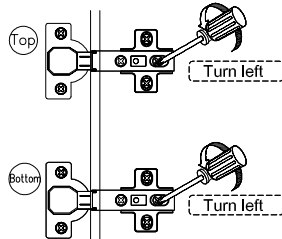


When door is crooked



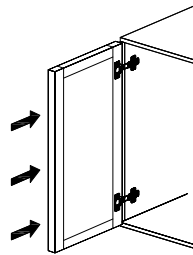
Please take the following steps to adjust first.

- 1 Rotate the "front and rear screws" to the left

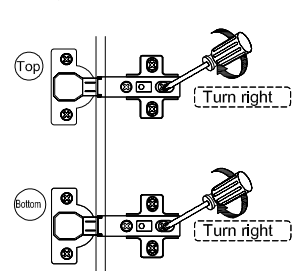


※ After adjusting the "front and rear screw", the door still does not change, please turn the "Internal & external screw" to the right Slightly.

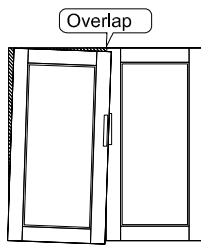
- 2 Push the door to the cabinet



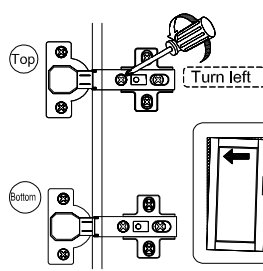
- 3 Rotate the "front and rear screws" to the right



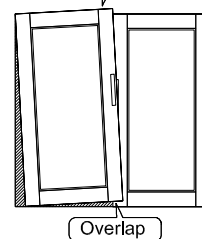
When door is leaning



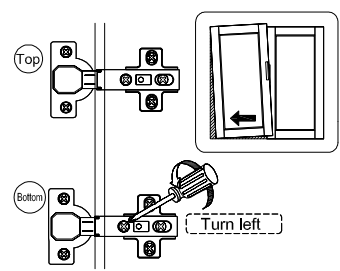
- 1 Turn "internal & external screw" to the left can make the top of the door tilted outward.



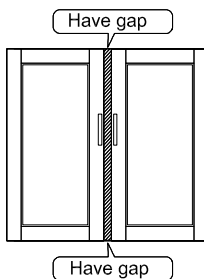
Protruding to the upside



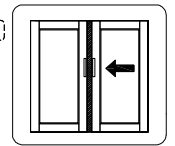
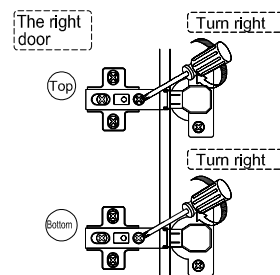
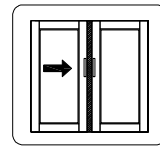
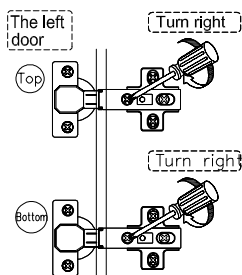
- 1 Turn "internal & external screw" to the left can make the bottom of the door tilted outward.



When 2 doors are not tight

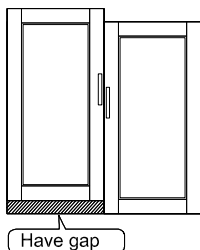


- 1 Turn "internal & external screw" to the right can make the door approach inside. Please adjust the doors little by little.

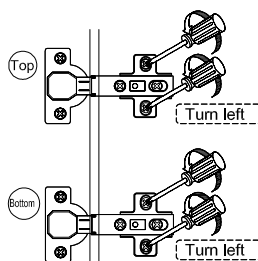


※ If the 2 doors are overlap, please turn the "Internal & external screw" to the left.

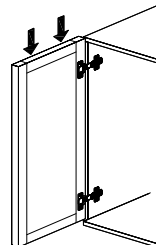
When the door is higher on top



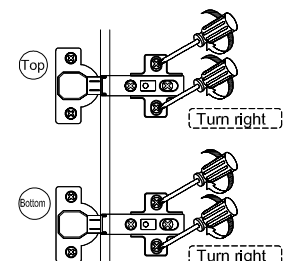
- 1 Turn "up & down screw" to the left



- 2 Lower the door's height so that 2 doors are of the same height.



- 3 Turn "up & down screw" to the right



※ If the door is lower on bottom, please lift up the left door slightly on step 2



After-Sales Service Hotline: (800) 661-5928