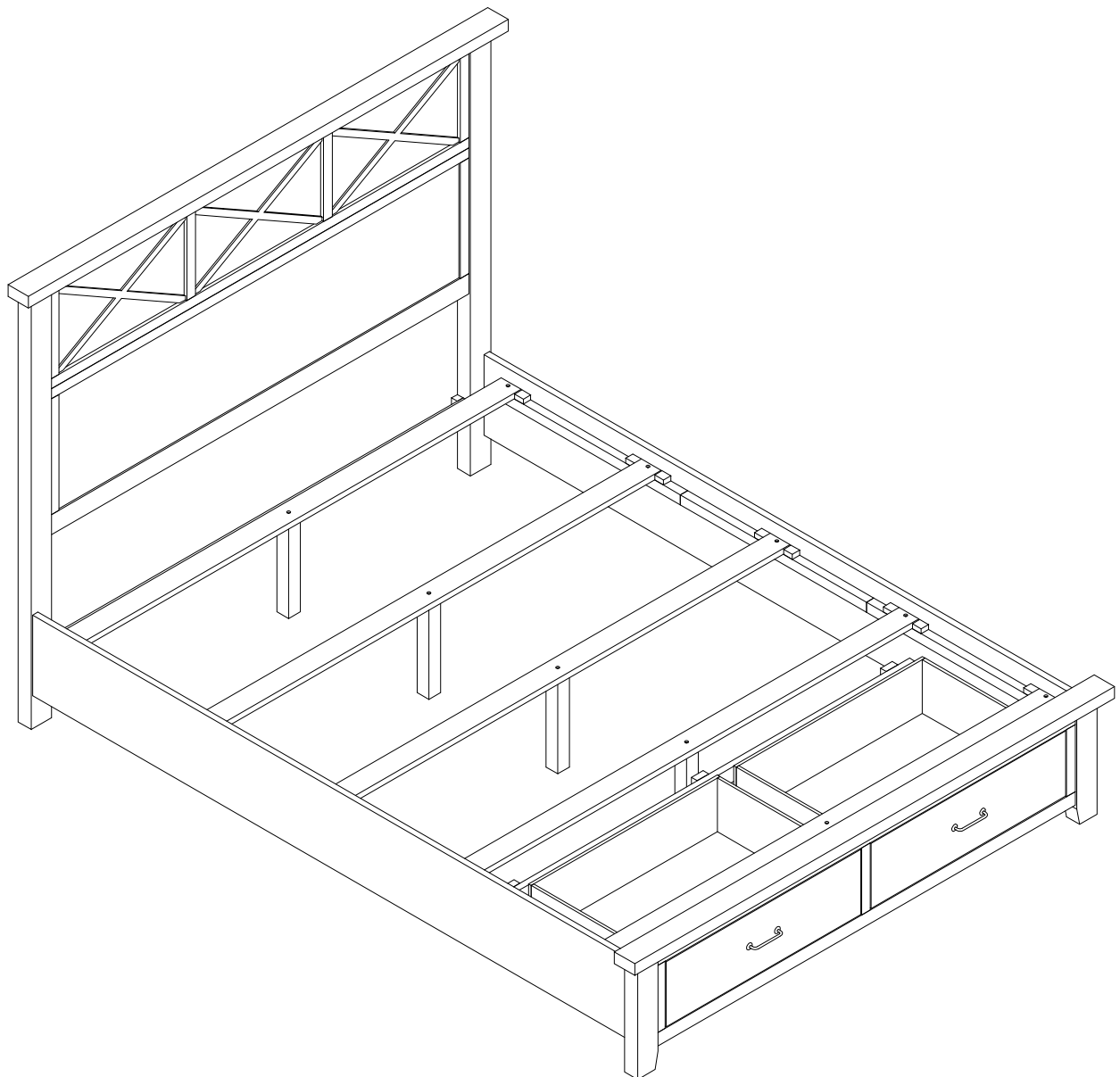


ASSEMBLY INSTRUCTION
QUEEN BED WITH 2 DRAWER WF301592 /WF301593

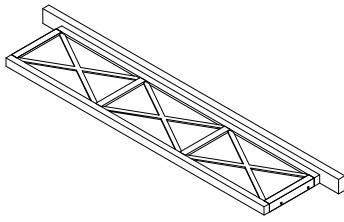
QUEEN BED WITH 2 DRAWER



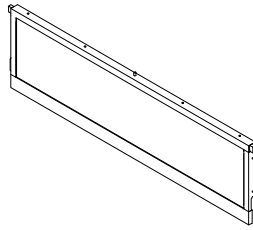
ASSEMBLY INSTRUCTION

QUEEN BED WITH 2 DRAWER WF301592 /WF301593

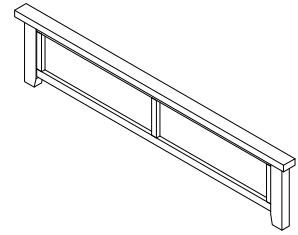
BOX 1 : WF301592



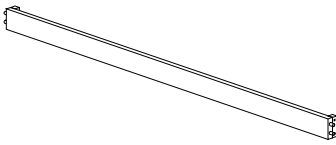
(A1) HEADBOARD 1



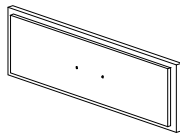
(A2) HEADBOARD 2



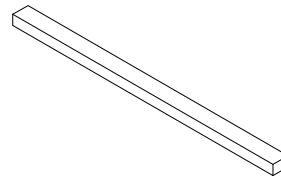
(B) FOOTBOARD - 1PC



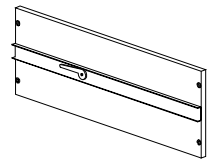
(N) STRETCHER - 1PC



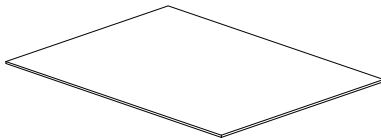
(C) TOP DRAWERS - 2PCS



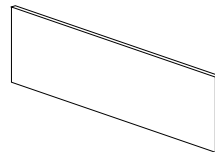
(L) LEFT LEG



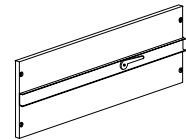
(E) RIGHT SIDE DRAWERS - 2PCS



(F) BOT DRAWERS - 2PCS

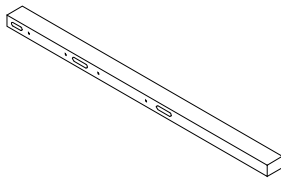


(G) BACK DRAWERS - 2PCS

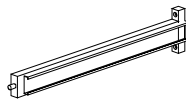


(D) LEFT SIDE DRAWERS

BOX 2 : WF301593



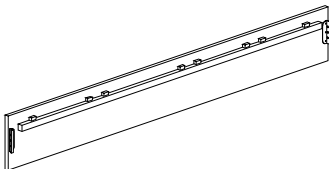
(M) RIGHT LEG



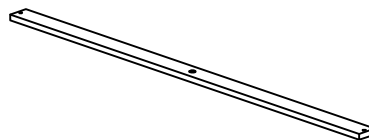
(I) SIDE DRAWER-RUNNER - 2PCS



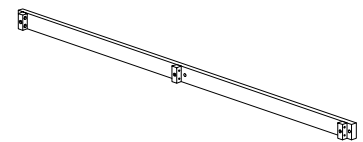
(J) CENTER DRAWER-RUNNER - 1PC



(K) SIDE RAILS - 2PCS



(H) SLATS - 5PCS



(O) STRETCHER - 1PC



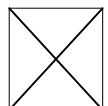
(P) SUPPORT LEG - 3PCS



(Q) SUPPORT LEG - 4PCS



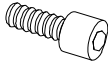
(R) SUPPORT LEG - 1PC



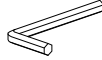
HARDWARE

ASSEMBLY INSTRUCTION
QUEEN BED WITH 2 DRAWER WF301592 /WF301593

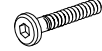
HARDWARE



a : BOLT-12PCS (M5x10)



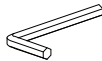
b : ALLEN KEY-1PC (K5)



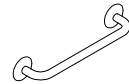
c : BOLT-12 PCS (M6x45)



d : WASHER-12 PCS (6x19)



f : ALLEN KEY-1PC (K4)



g : DRAWER HANDLE-2PCS



h : SCREW-4PCS (M4x35)



i : SCREW-32PCS (Ø4x30)



j : SCREW-16PCS (Ø4x25)

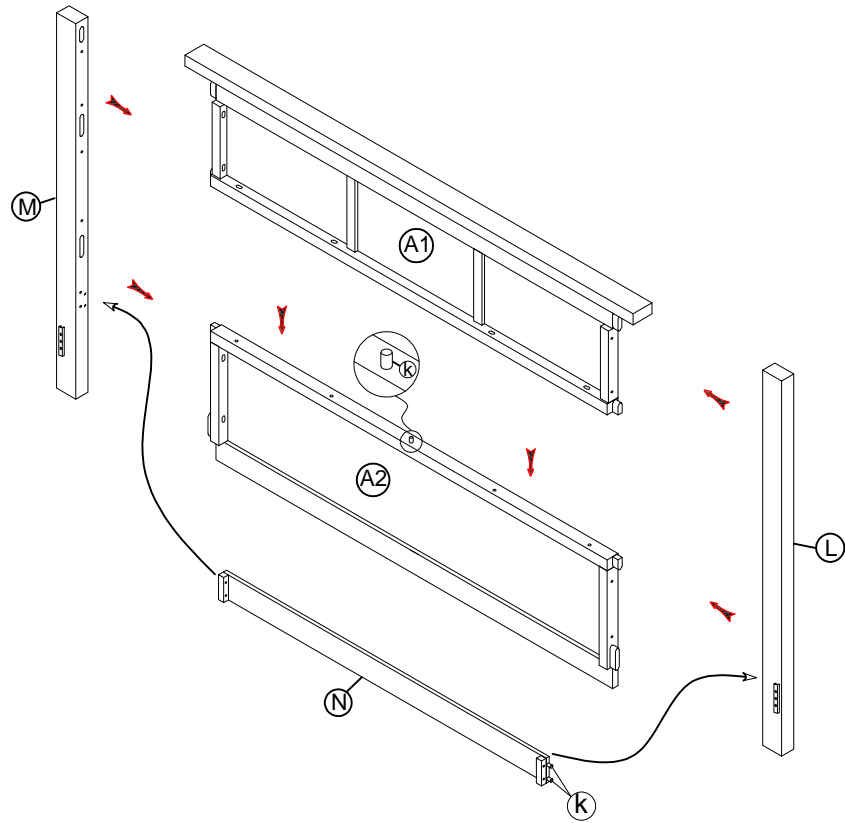


k : WOOD DOWEL-11PCS (Ø8x30)

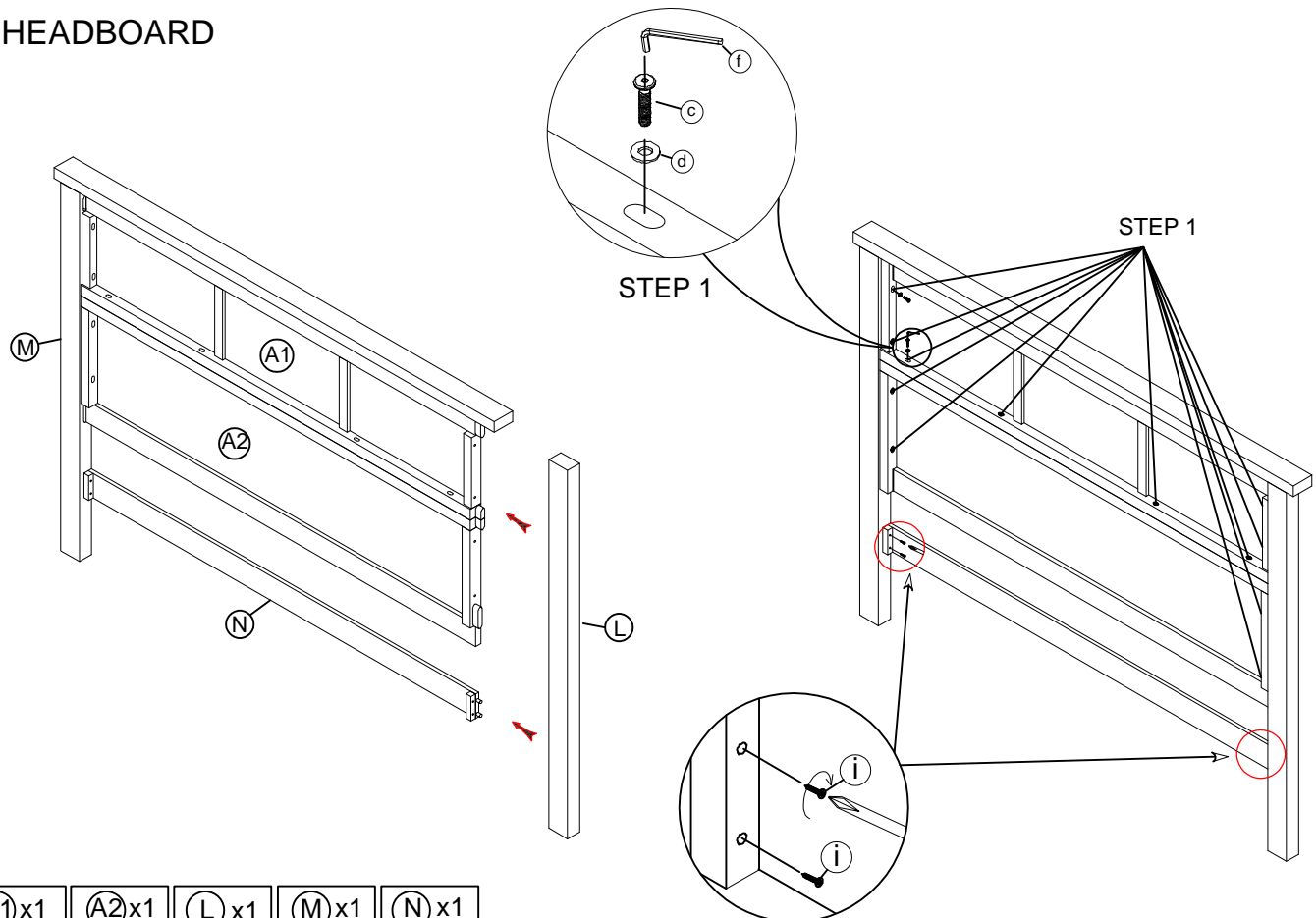
ASSEMBLY INSTRUCTION

QUEEN BED WITH 2 DRAWER WF301592 /WF301593

HEADBOARD



HEADBOARD

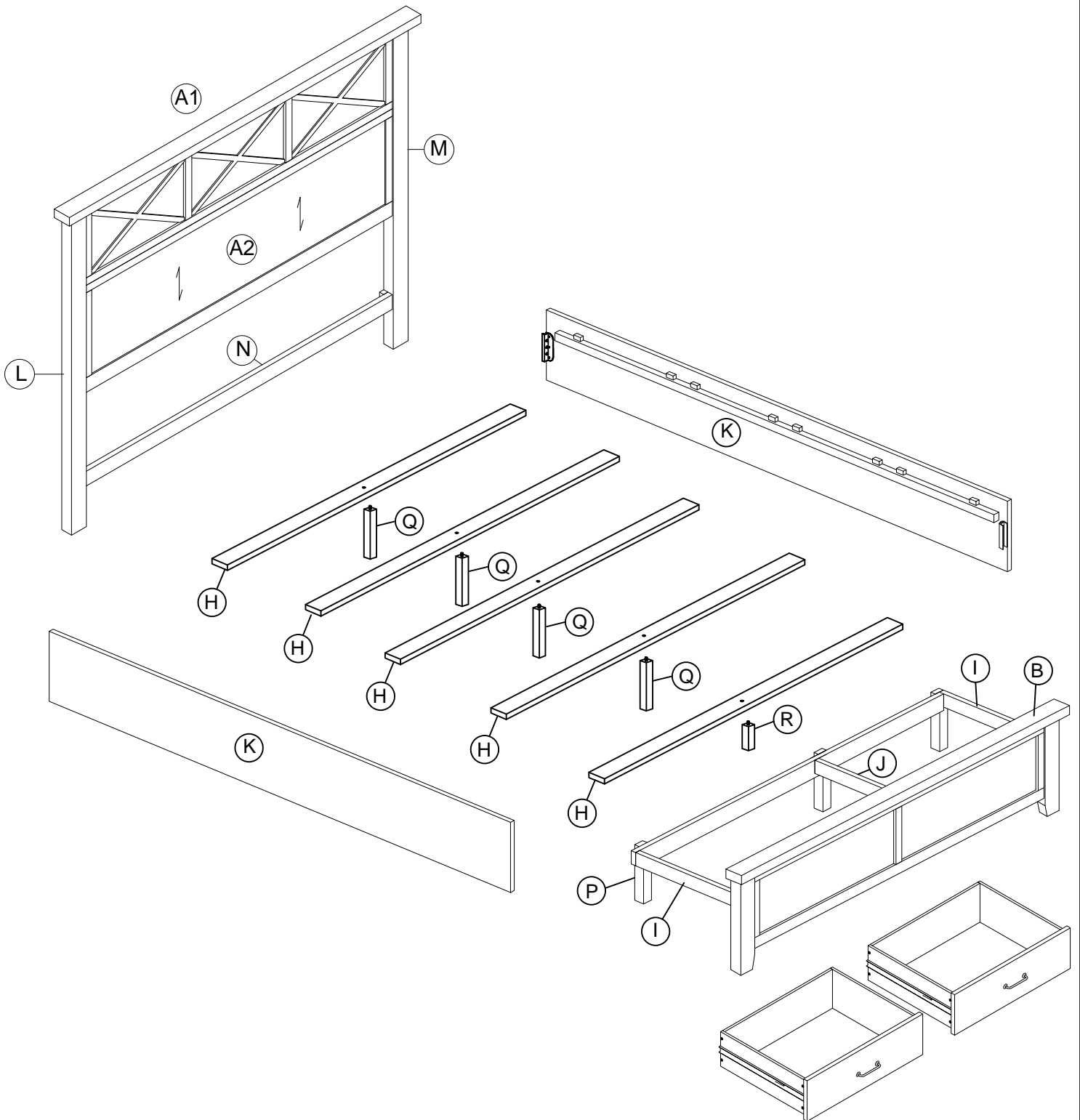


(A1)x1	(A2)x1	(L) x1	(M)x1	(N) x1
(c) x12	(d) x12	(k) x5	(f) x1	(i) x4

STEP 2

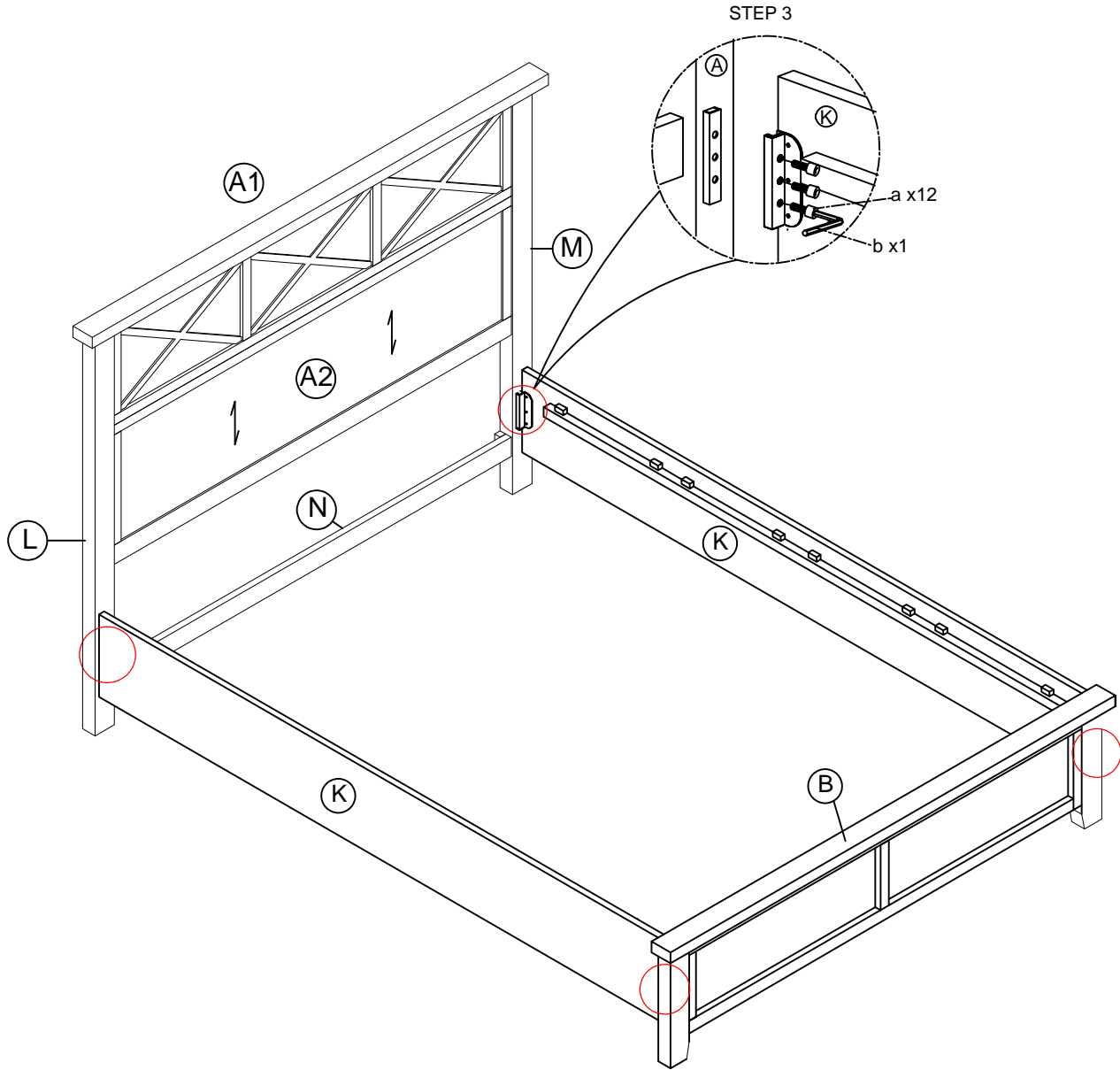
ASSEMBLY INSTRUCTION

QUEEN BED WITH 2 DRAWER WF301592 /WF301593



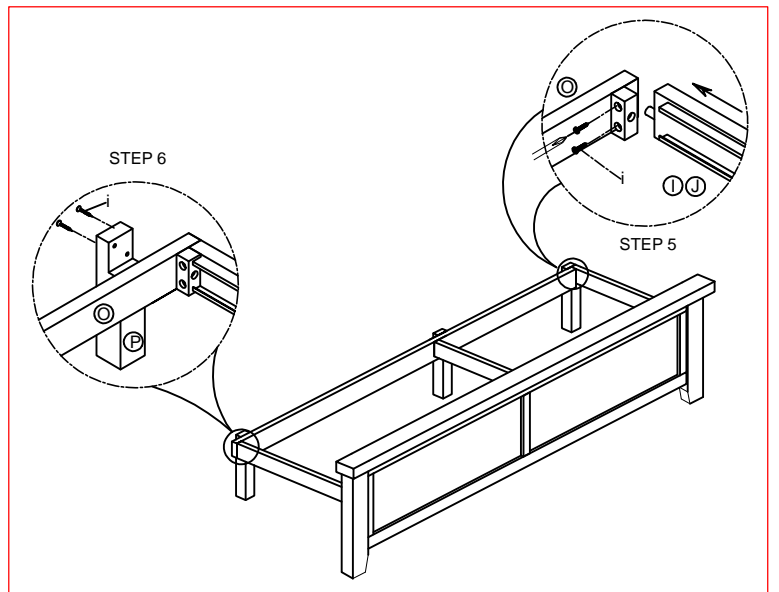
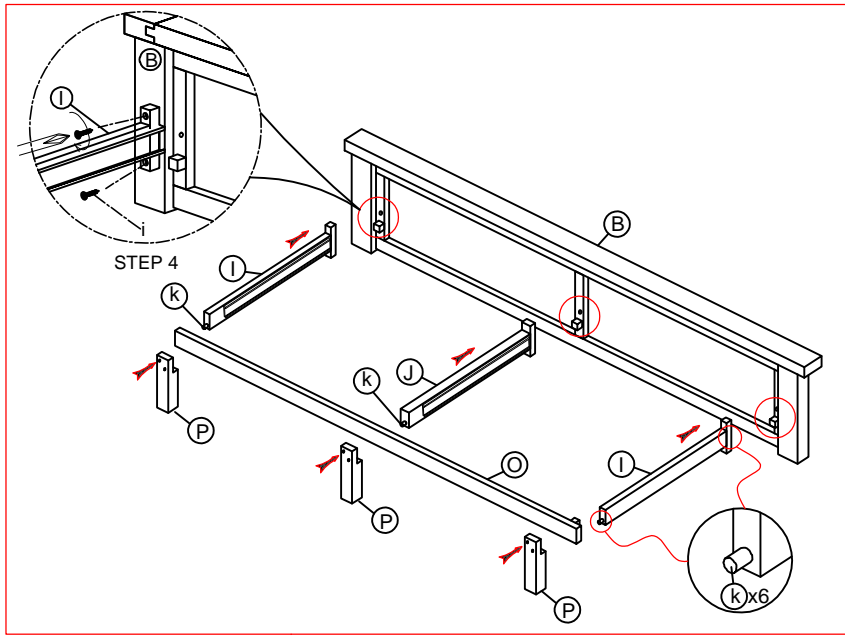
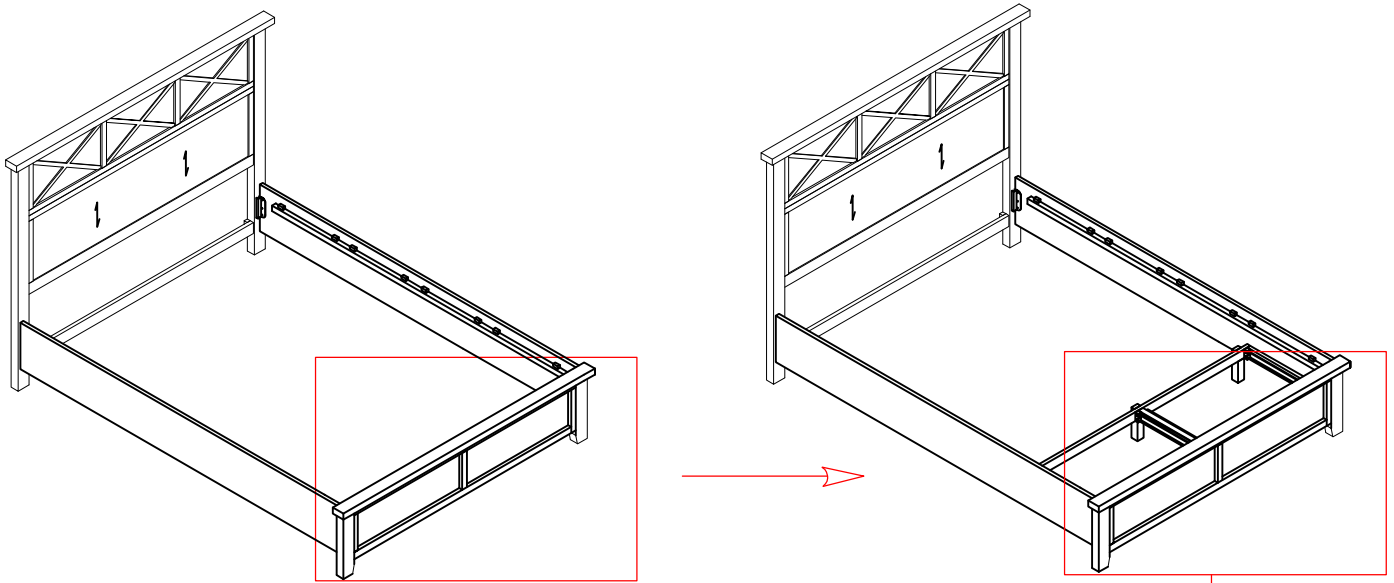
ASSEMBLY INSTRUCTION

QUEEN BED WITH 2 DRAWER WF301592 /WF301593



ASSEMBLY INSTRUCTION

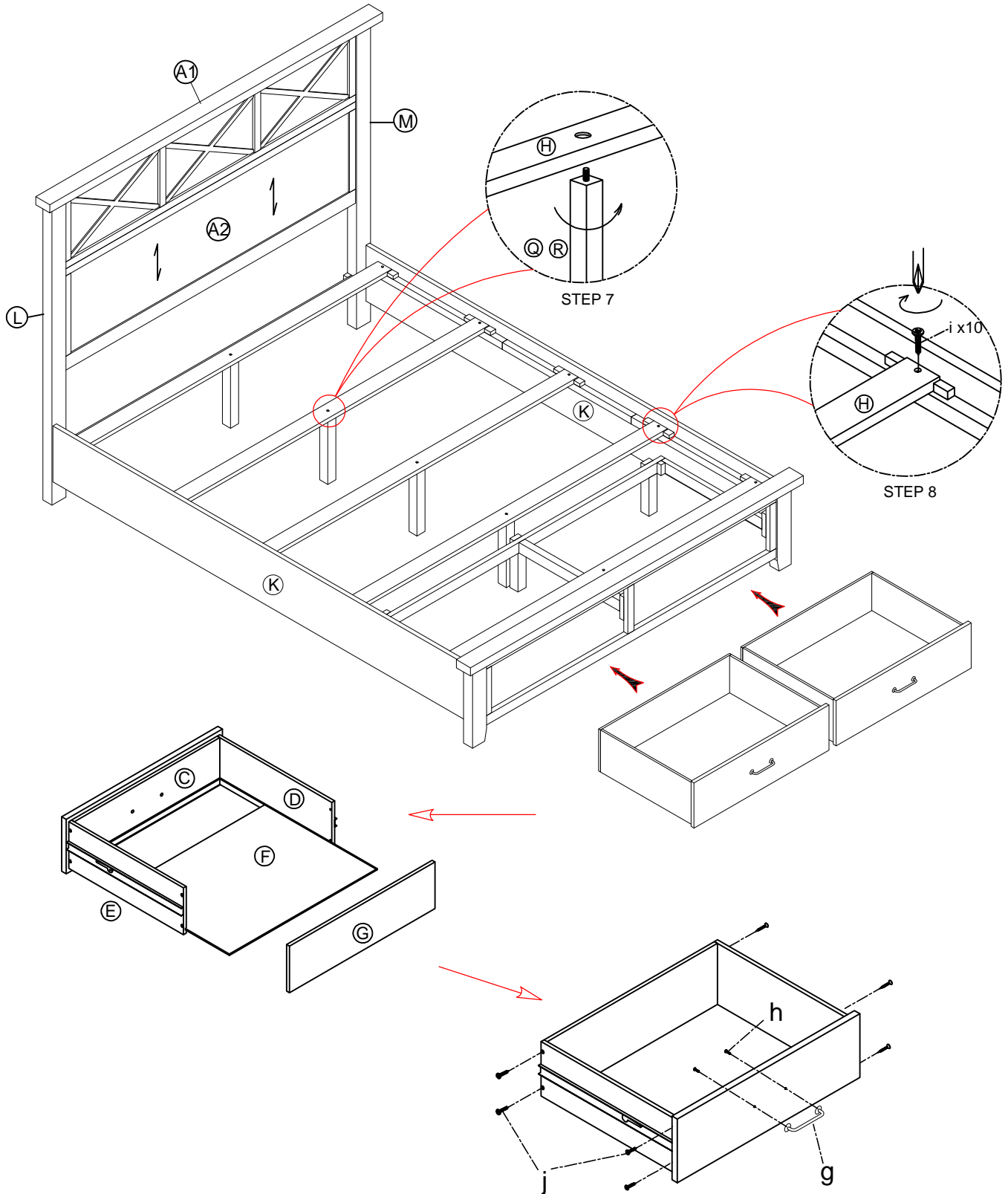
QUEEN BED WITH 2 DRAWER WF301592 /WF301593



- B x1
- I x2
- J x1
- P x3
- O x1
- i x12
- k x6

ASSEMBLY INSTRUCTION

QUEEN BED WITH 2 DRAWER WF301592 /WF301593



- | | | | | | | | | | | | |
|-----|-----|-----|-----|-----|-----|-----|-----|------|------|-----|-----|
| ⓓx2 | Ⓒx2 | Ⓔx2 | Ⓕx2 | Ⓖx2 | Ⓜx5 | Ⓚx4 | Ⓡx1 | ⓲x10 | ⓲x16 | Ⓖx2 | Ⓜx4 |
|-----|-----|-----|-----|-----|-----|-----|-----|------|------|-----|-----|