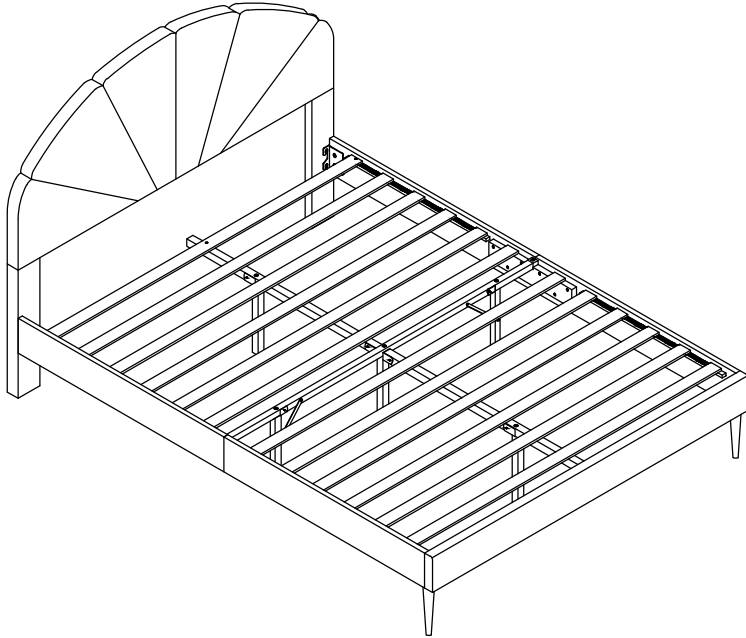


STANDARD BED



Important: Please unzip the zipper located behind the headboard to access all the components.

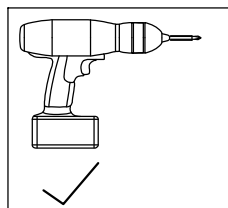


Please TEAR OFF this shrink film from side! DO NOT USE CUTTER!

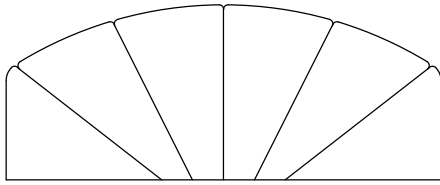
ITEM NUMBER:N23001

IMPORTANT NOTE

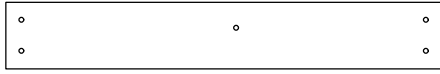
1. **PLEASE OPEN THE ZIPPER LOCATED ON THE HEADBOARD TO ACCESS ALL THE OTHER COMPONENTS BEFORE PROCEEDING WITH THE ASSEMBLY.**
2. FOR THE PROTECTION OF YOUR FURNITURE, PLACE ALL PARTS ON A CLEAN AND SMOOTH SURFACE TO PREVENT ANY DAMAGE.
3. DO NOT USE POWER TOOLS TO ASSEMBLE THE BED.
4. PLEASE PERIODICALLY CHECK ALL FITTINGS AND RE-TIGHTEN AS NECESSARY.
5. DO NOT USE THE BED UNLESS ALL BOLTS AND SCREWS ARE FIRMLY SECURED.
6. NEED PARTS OR ASSISTANCE? EMAIL US AT support@velocavabed.com
7. YOU CAN ASSEMBLE IT WITH OUR PACKAGING TOOLS OR WITH A.



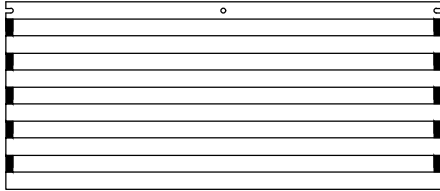
PART LIST



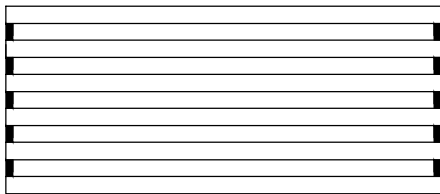
..... ① x 1pc



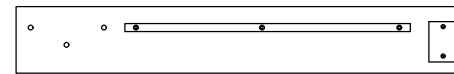
..... ② x 1pc



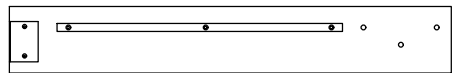
..... ③ x 1pc



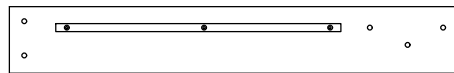
..... ④ x 1pc



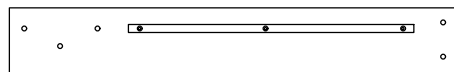
..... ⑤-1 x 1pc



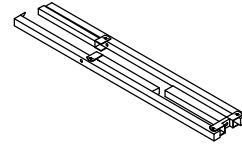
..... ⑤-2 x 1pc



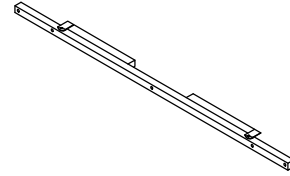
..... ⑥-1 x 1pc



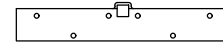
..... ⑥-2 x 1pc



..... ⑦ x 1pc



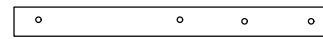
..... ⑧ x 1pc



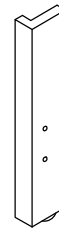
..... ⑨ x 2pcs



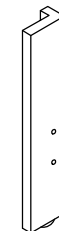
..... ⑩ x 2pcs



..... ⑪ x 2pcs



..... ⑫ x 1pc



..... ⑬ x 1pc

HARDWARE LIST



① H1 M5 x 1pc



② H2 M8x20mm x 13pcs



③ H3 M8x50mm x 2pcs



④ H4 M8x40mm x 27pcs



⑤ H5 M8 x 31pcs



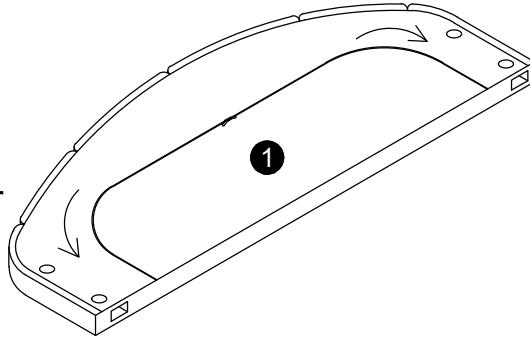
⑥ H6 M8x17mm x 43pcs



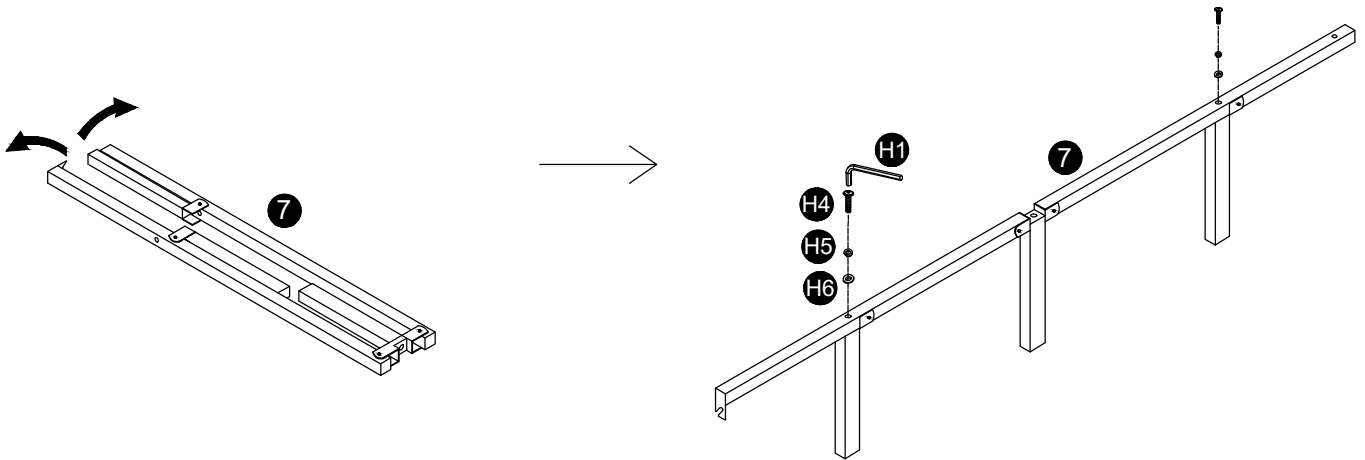
⑦ H7 M8x60mm x 1pc

1 **NOTE:** PLEASE OPEN THE ZIPPER ON THE BACK OF **1** AND TAKE OUT THE PARTS.

Open the zipper

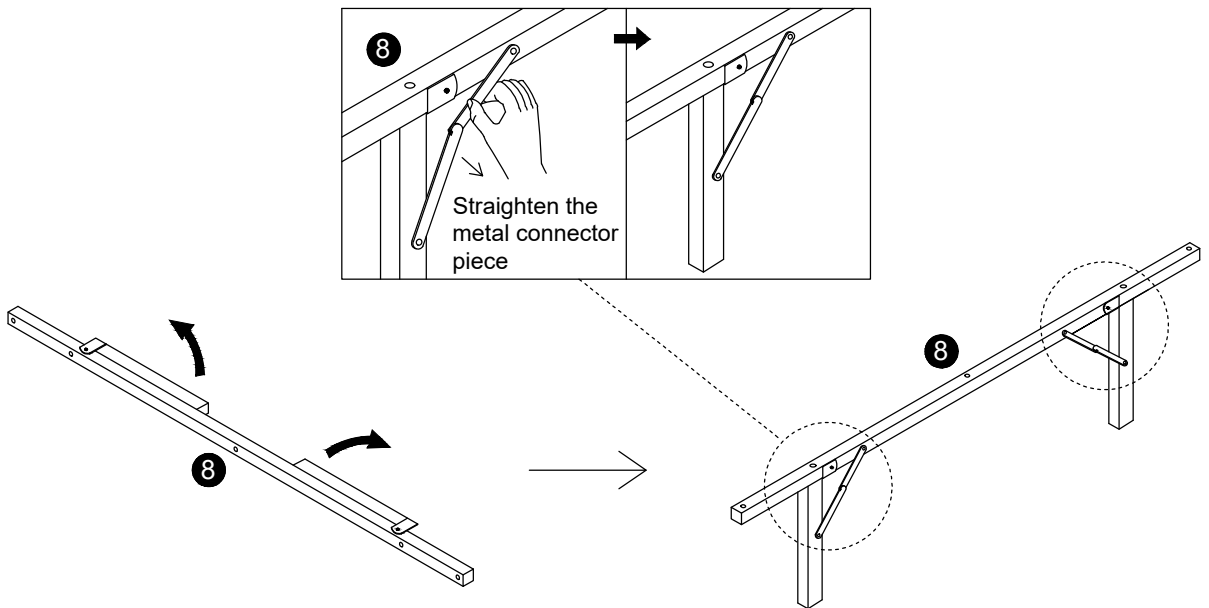


2

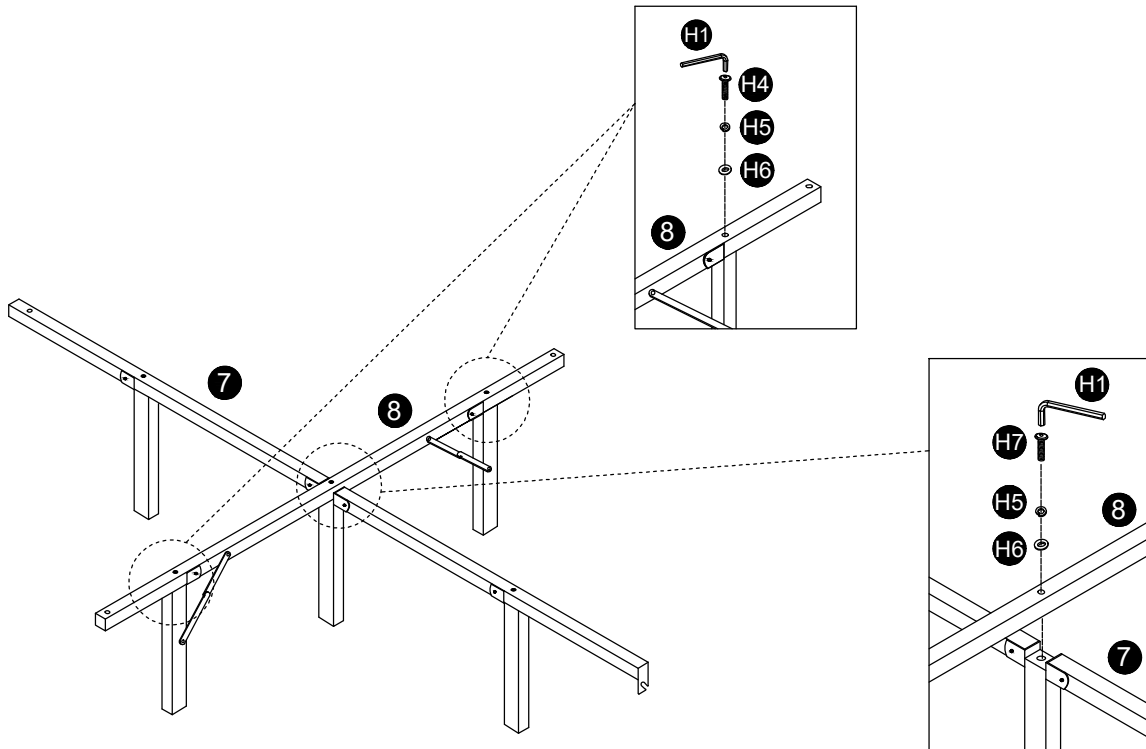


3

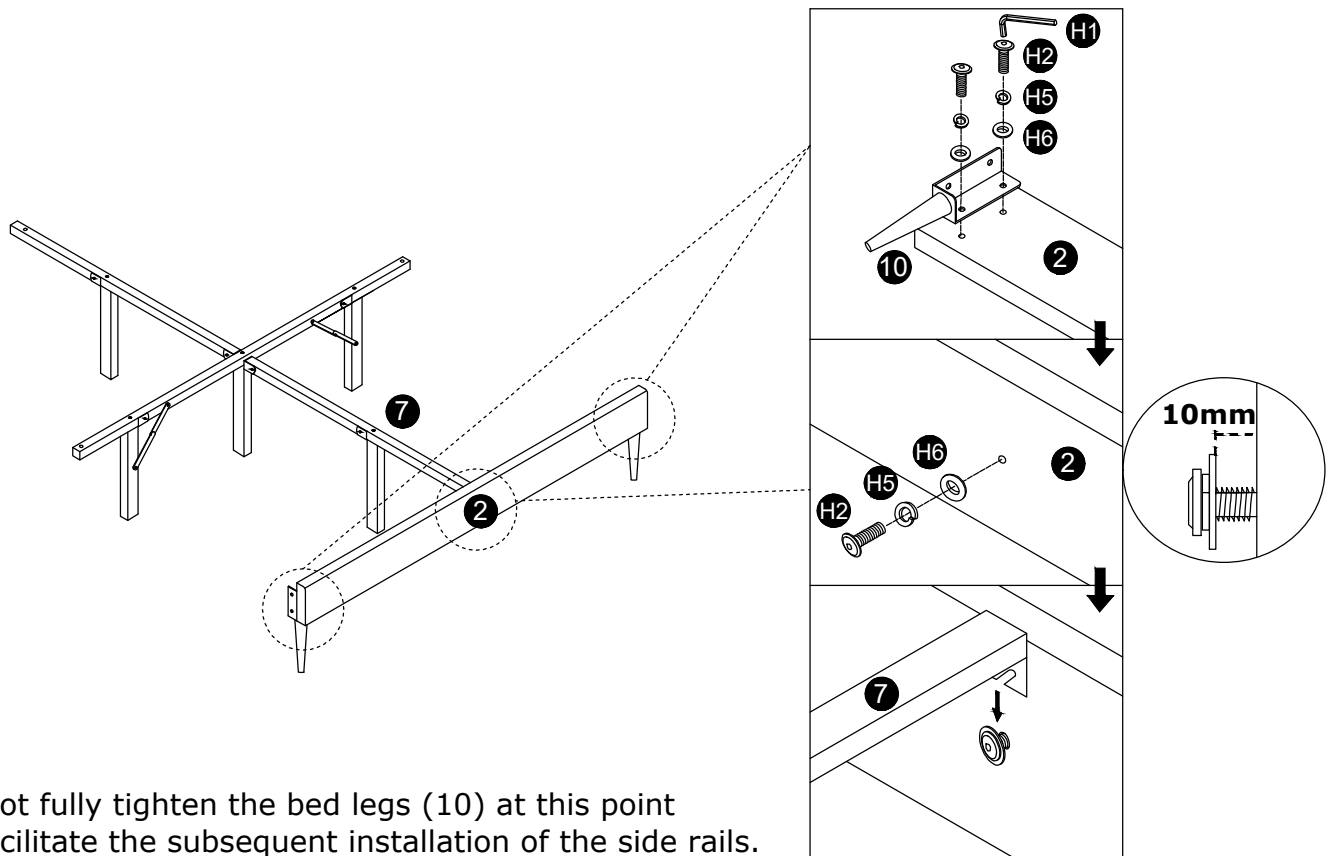
BEWARE OF CLAMP HAND



4

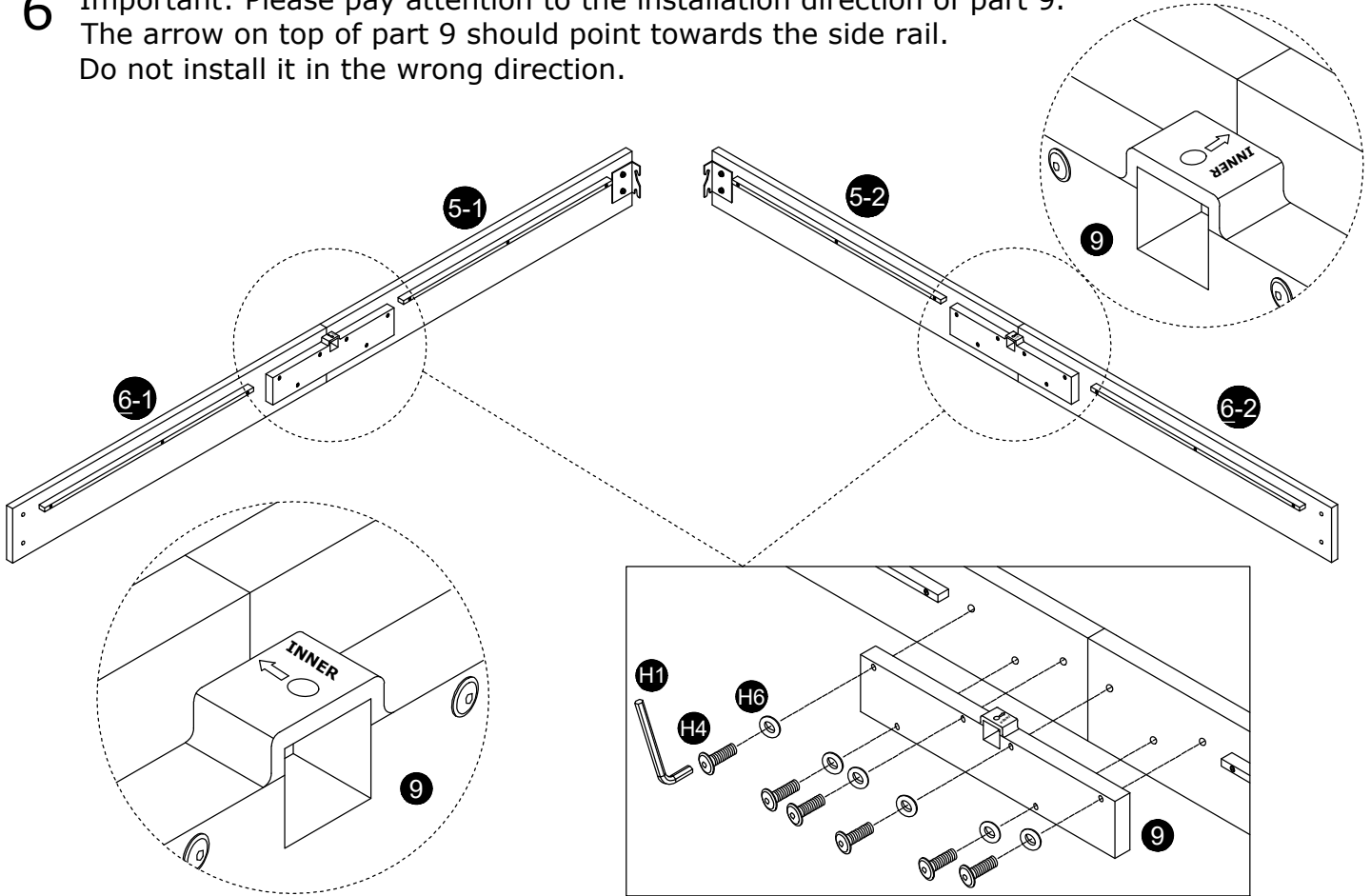


5

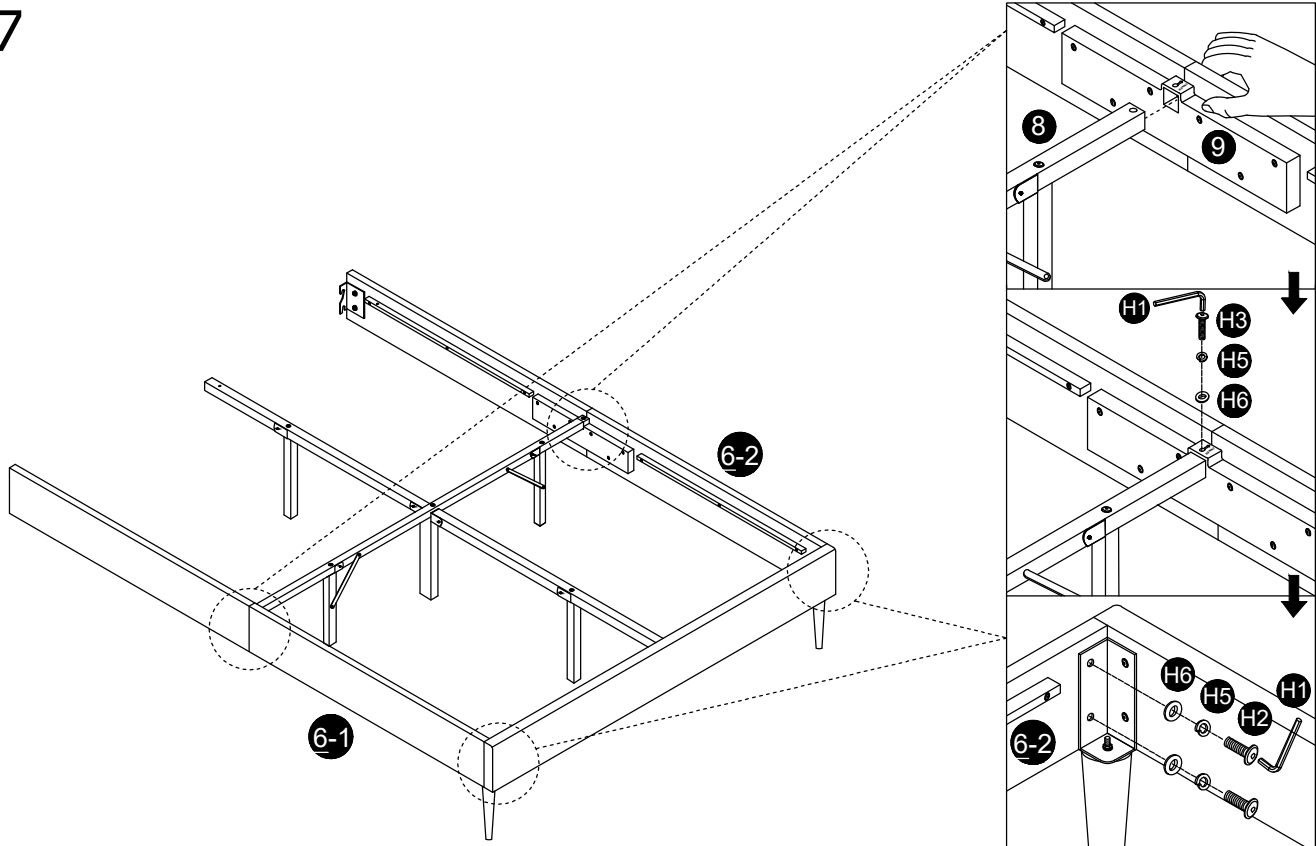


Do not fully tighten the bed legs (10) at this point to facilitate the subsequent installation of the side rails.

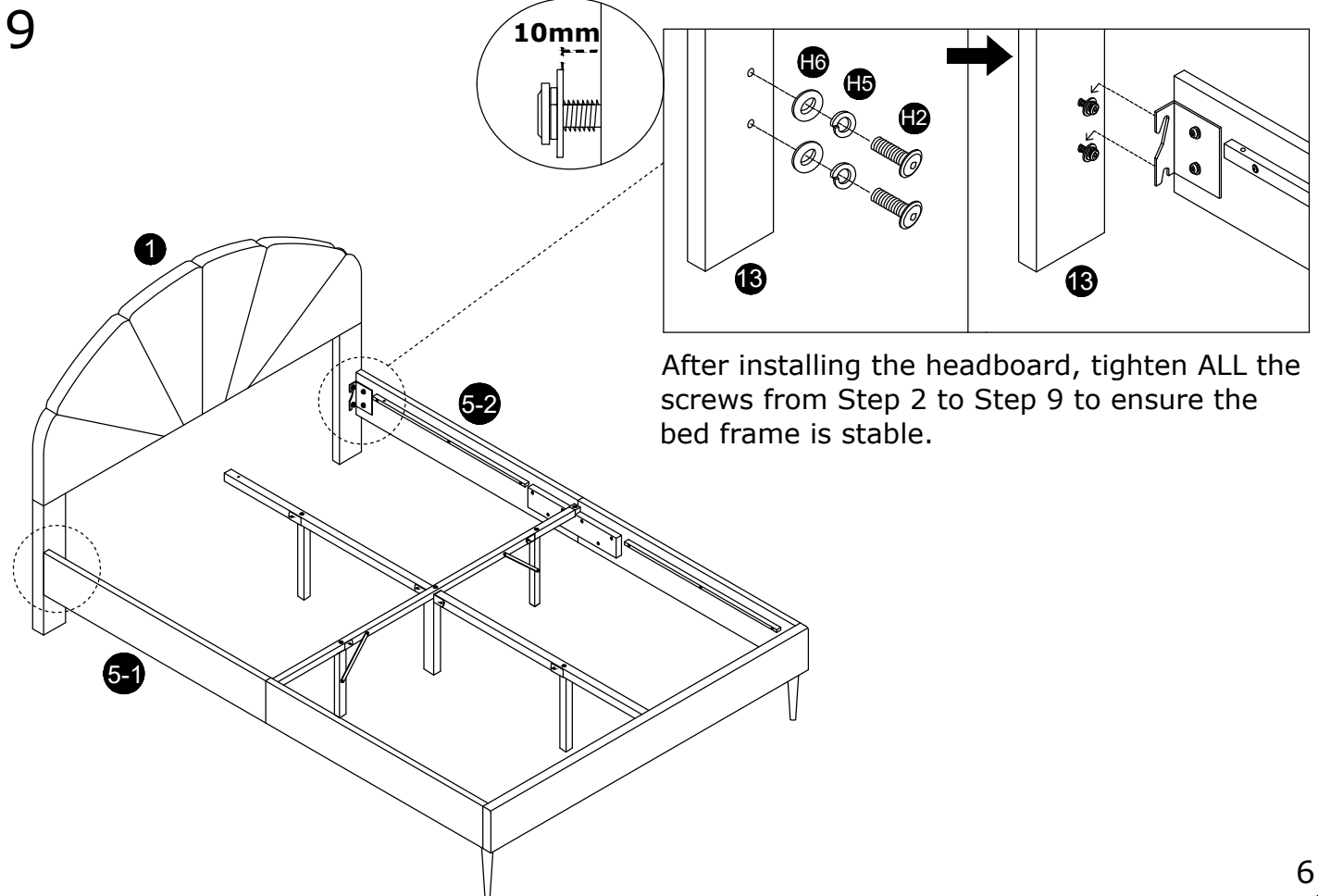
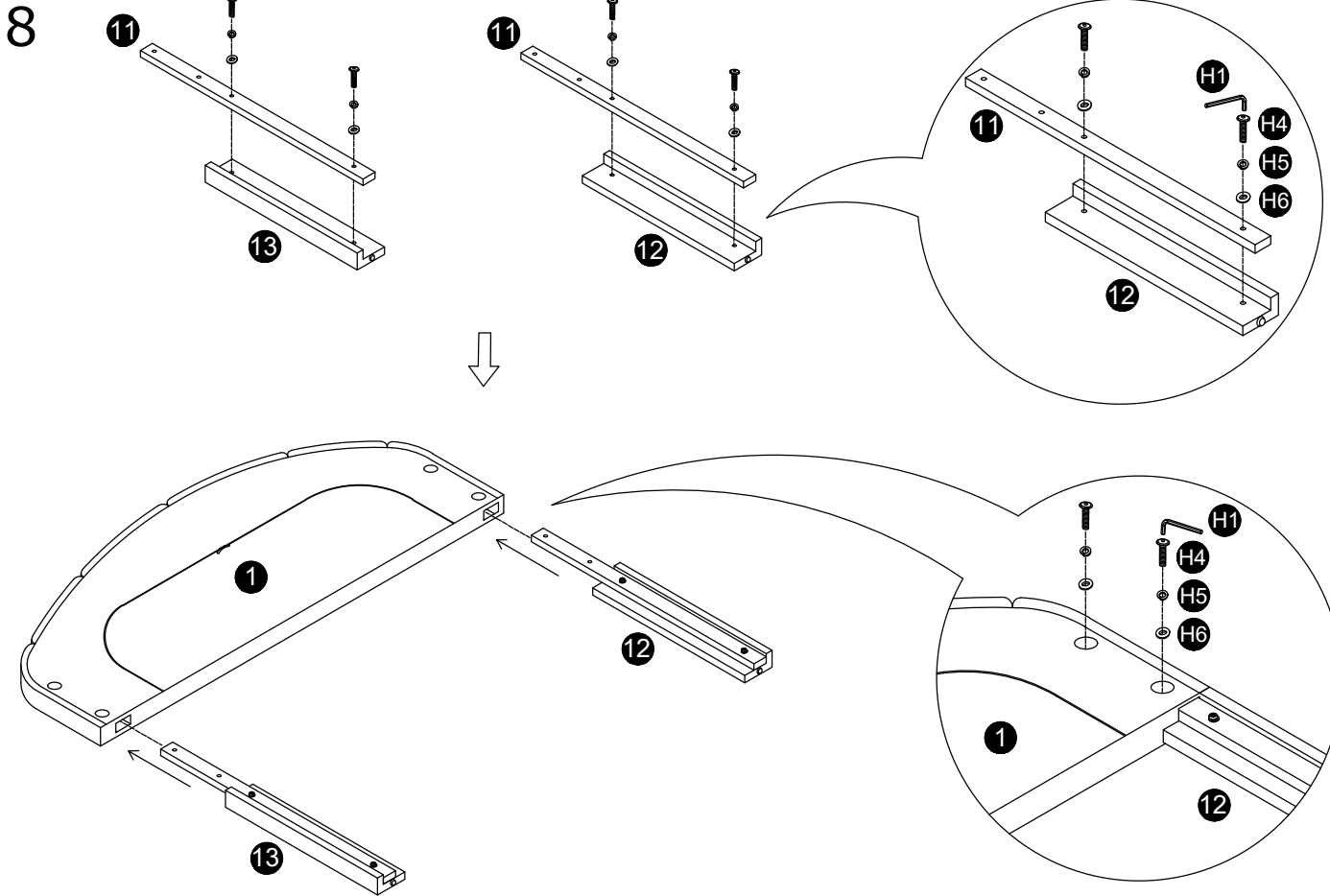
6 Important: Please pay attention to the installation direction of part 9. The arrow on top of part 9 should point towards the side rail. Do not install it in the wrong direction.



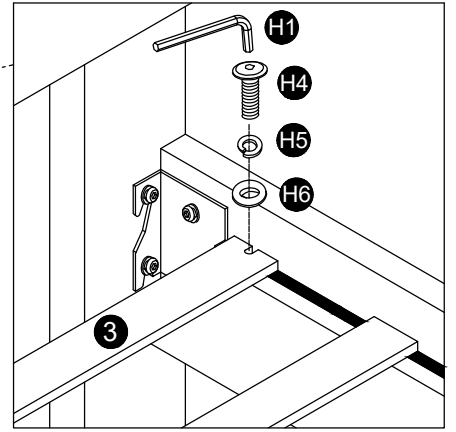
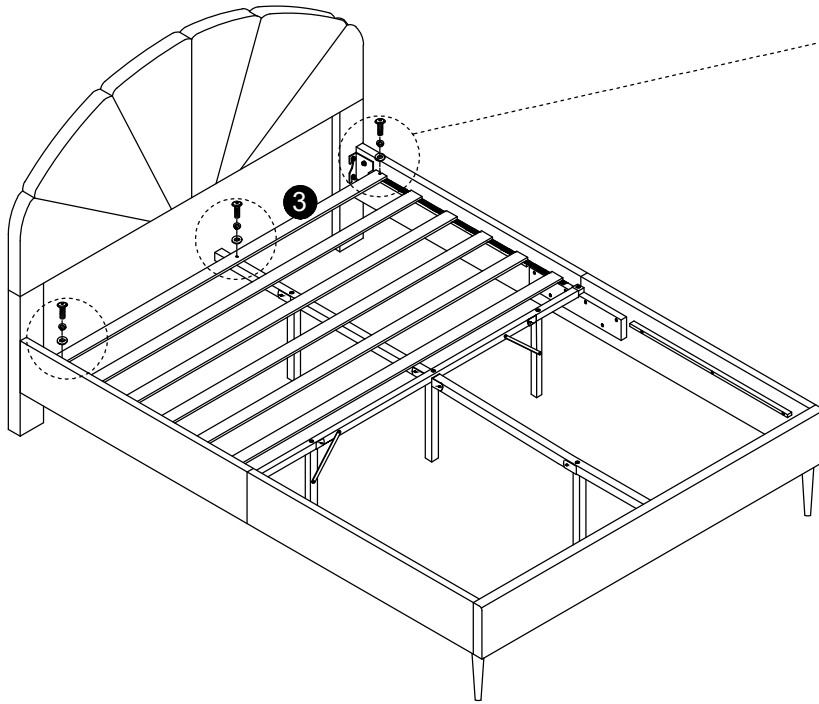
7



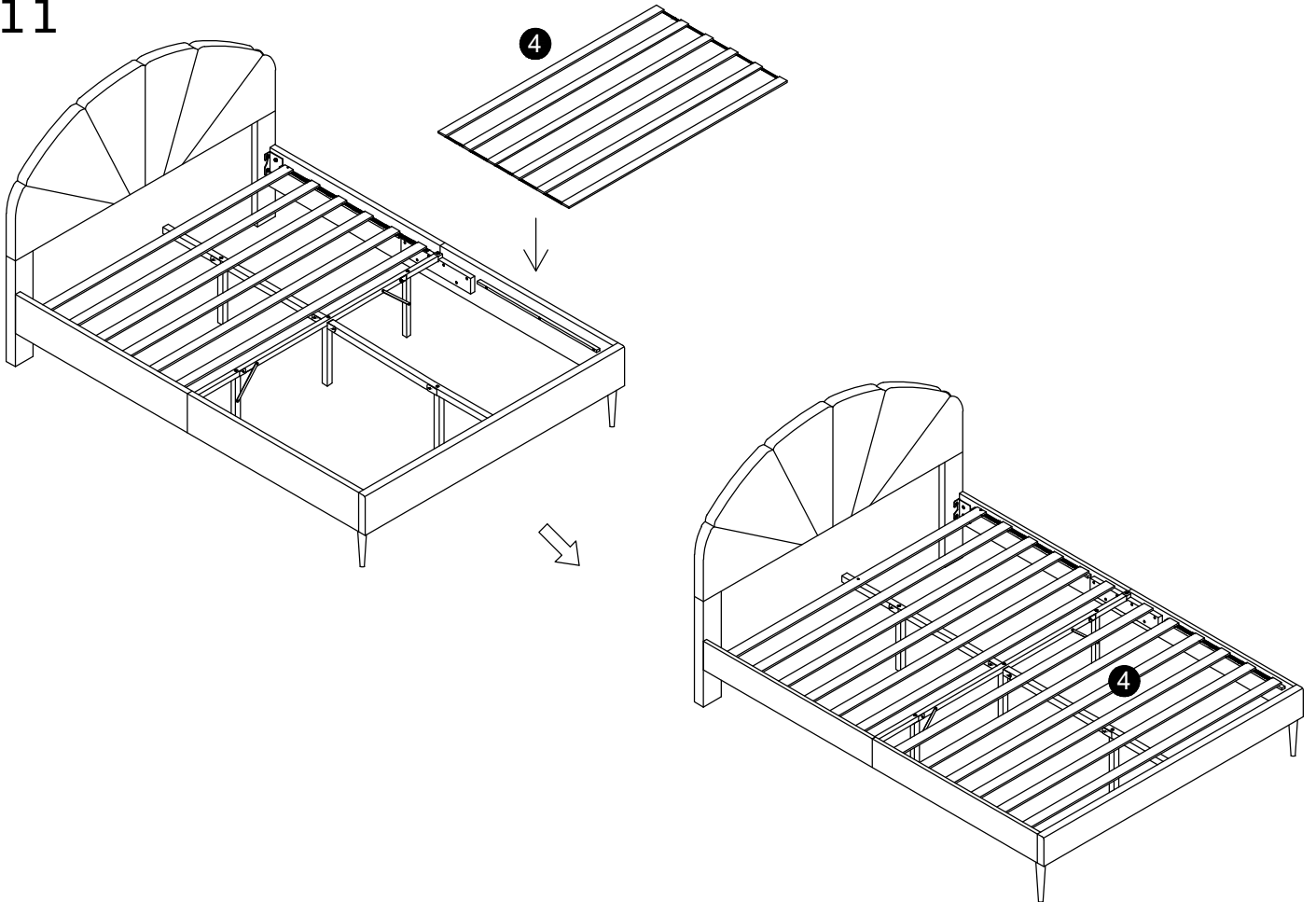
Do not fully tighten the screws at this step; wait until after installing the headboard before tightening them completely.



10



11



Job Complete !

In the interest of our environment please dispose of all packaging thoughtfully.