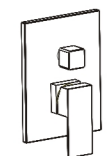
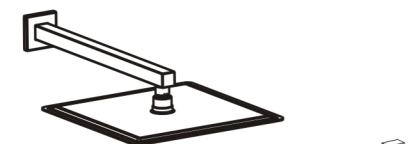


# INSTALLATION MANUAL



Concealed installation shower set

## 1、 New installations

NOTE!!!

1. Supply lines should be purged to clean impurities before connecting the unit.

2. The hot water supply should be connected to the left and the cold water supply to the right, when viewed from the operating position. If this is not taken into account can cause permanent damage to the cartridge.

3. Screw connections and test for leaks.

4. Using a spirit level on the cams, the mixer align horizontally, vertically and parallel to the wall.

5. Warm reminder:

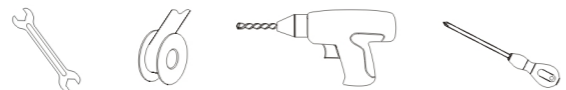
In the cold areas or the indoor temperature is less than 4 °C in Winter, if no using the faucets for a long time, please turn off the inlet water valve and drain the remaining water inside the supply pipe, which can avoid the faucet damage caused by the expansion of the frozen water.

## 2、 Installation Preparation

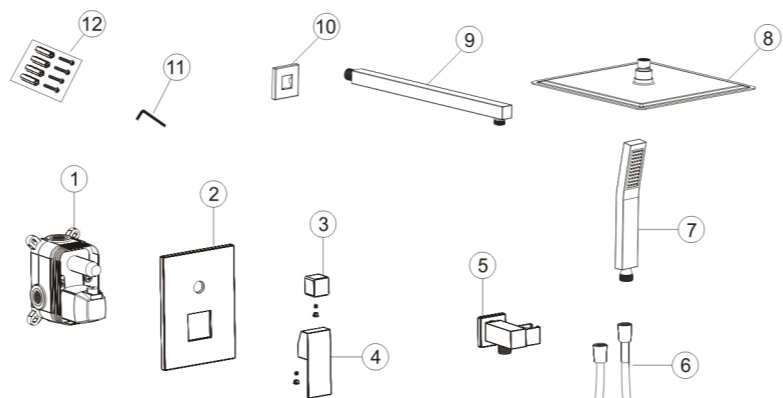
1. Read the instructions carefully before installing.

2. The installation must be performed by a qualified person.

3. Installation tools:



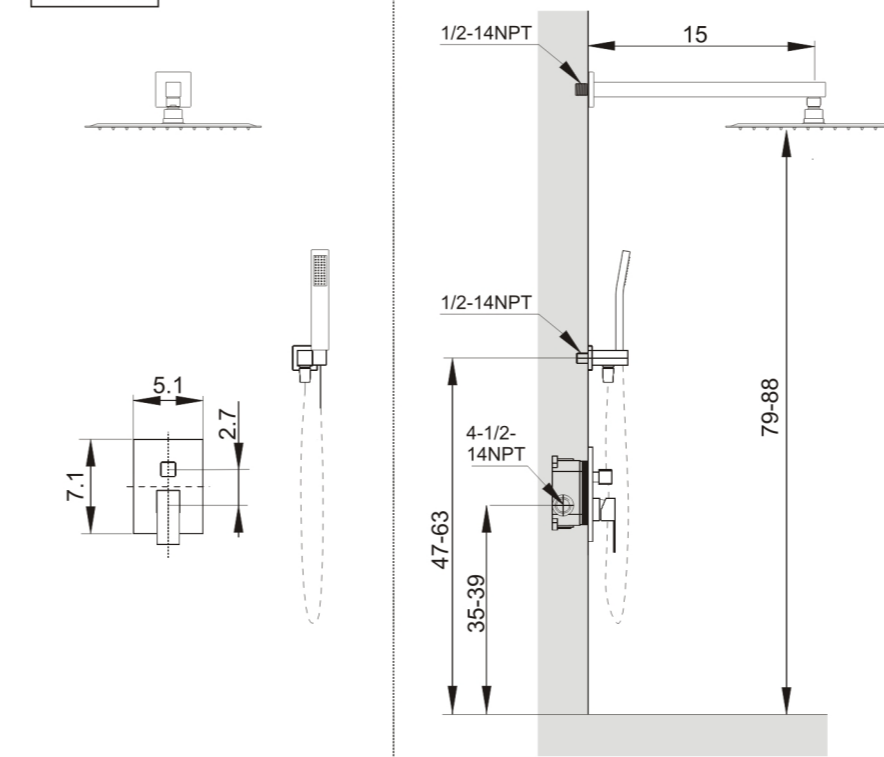
## 3、 Accessory list



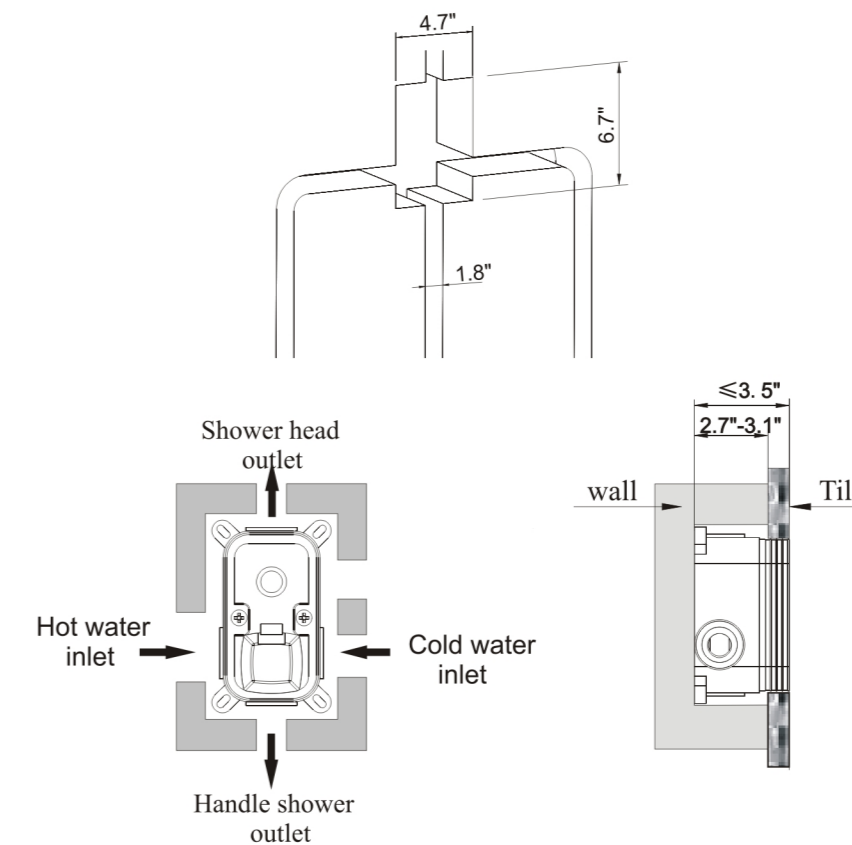
No.	Description	Qty.
1	Concealed installation valve	1
2	Cover board	1
3	Diverter handle	1
4	Cartridge handle	1
5	Elbow with hook	1
6	Shower hose	1
7	Handle shower	1
8	Shower head	1
9	Shower arm	1
10	Cover board	1
11	Allen-key	1
12	Nails bag	1

## 4、 Dimensional drawing

Unit: inch



## 5、 Chiseling wall diagram



## 6、 Cleaning & Maintenance

To keep the product clean & shining, follow the steps as follows:

1. Flush with clean water & dry with soft cloth only;

2. If any dirt, clean with soft liquid or transparent glass detergent.

3. Do not use any scrubbing detergent, polisher, sand-cloth, paper tissue or scraper.

4. Do not use acid detergent, insoluble & grain-like detergent or soap.

## 7、 Important notice

1. Users under age 14 must be accompanied by an adult otherwise young users may be scalded by hot water.

2. All users need to be careful when you turn cold water to hot water.