



# ASSEMBLY INSTRUCTIONS

MODEL # \_\_\_\_\_

## WF-SL010

### TOOLS REQUIRED



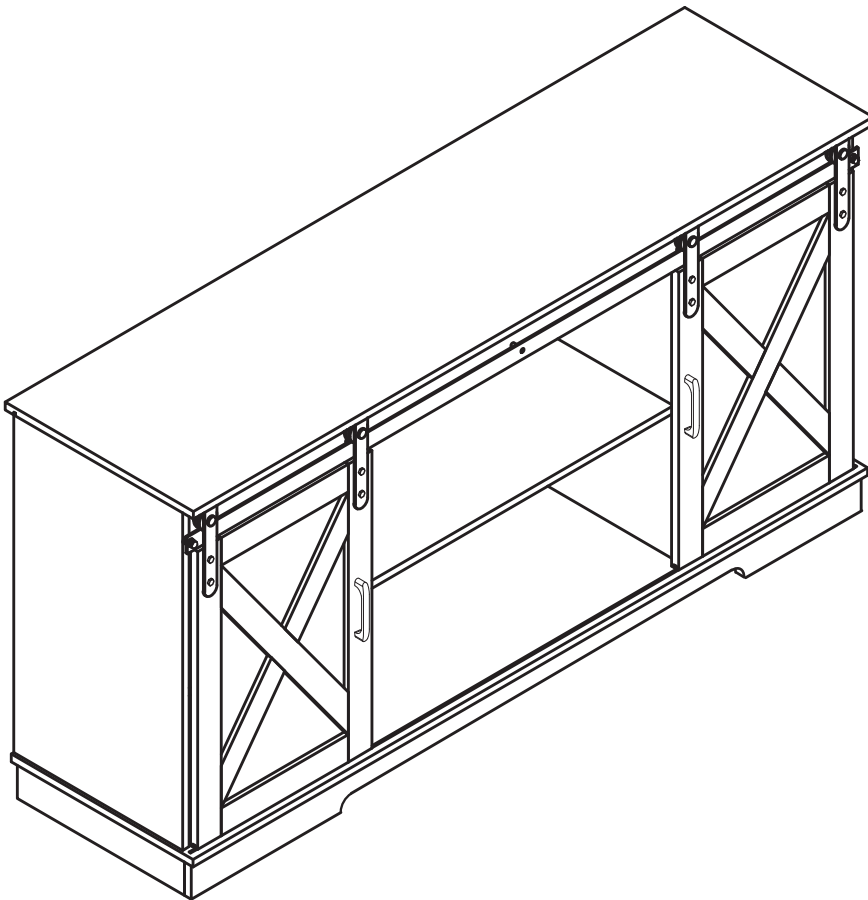
Screwdriver  
( Not included)



(Included)  
Allen Wrench



2 - People



### ASSEMBLY RATING



EASY —————> DIFFICULT

The Assembly Rating is a 5-point system showing the level of effort needed to assemble a specific product.

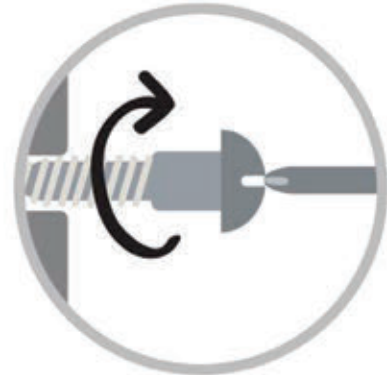
# ASSEMBLY AND CARE ADVICE



**FAILURE TO FOLLOW THE GUIDELINES BELOW MAY RESULT IN INJURY AND/OR PROPERTY DAMAGE.**



Position each part correctly and insert screws or bolts into their respective holes.



Turn clockwise to tighten and only tighten when step is completed or when instructed to do so.



Use the appropriate hand tools or power tools for assembly. Select steps, such as tightening screws and/or bolts, may require hand tools to avoid causing damage during assembly.



Save the instructions and store any supplied tools for later maintenance.



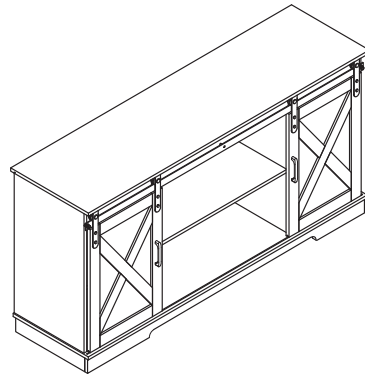
After two weeks, check and tighten any loose hardware and repeat again every six months thereafter.

**IT IS THE USER'S RESPONSIBILITY TO MAINTAIN THE FURNITURE. THE HARDWARE MAY LOOSEN OVER TIME AND MAY CAUSE THE FURNITURE TO BE WOBBLY AND UNABLE TO SUPPORT ITS INTENDED WEIGHT CAPACITY. THIS MAY LEAD TO COLLAPSE AND MAY CAUSE SERIOUS INJURY.**

# WF-SL010

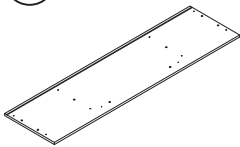


- Please keep instructions for future reference.
- Check the quantity and irregularity of parts and hardware before you start.



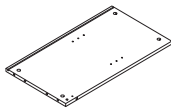
## PARTS

①



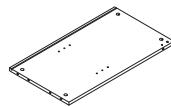
Top Board  
1 pc.

②



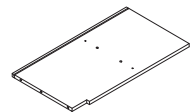
Left Side Panel  
1 pc.

③



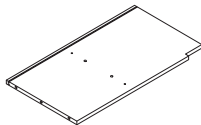
Right Side Panel  
1 pc.

④



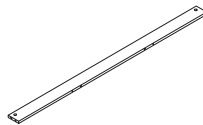
Left Side Panel  
1 pc.

⑤



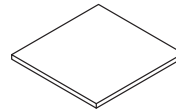
Right Side Panel  
1 pc.

⑥



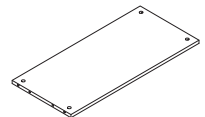
Cross Bar  
1 pc.

⑦



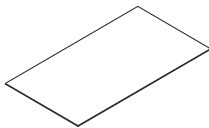
Adjustable Shelf  
2 pcs.

⑧



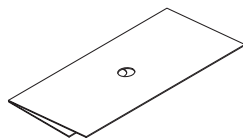
Fixed Shelf  
1 pc.

⑨



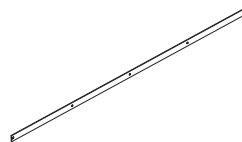
Left Right Back Board  
2 pcs.

⑩



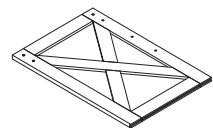
Middle Back Board  
1 pc.

⑪



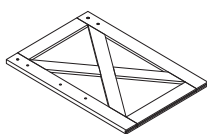
Steel track  
1 pc.

⑫



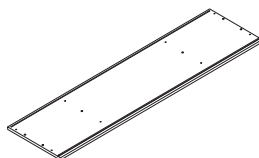
Left Door  
1 pc.

⑬



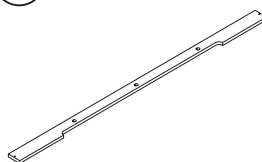
Right Door  
1 pc.

⑭



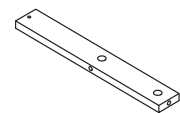
Bottom Board  
1 pc.

⑮



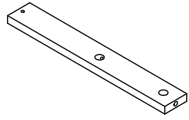
Font Bottom Trim  
1 pc.

⑯



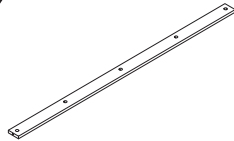
Left Bottom Trim  
1 pc.

17



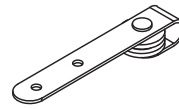
Right Bottom Trim  
1 pc.

18



Back Bottom Trim  
1 pc.

19

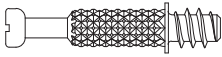


Sliding track wheel  
4 pcs\*

**HARDWARE**

A

Ø6\*35



Cam Bolt  
34 pcs.

B

Ø15\*9.5



Cam Lock  
34 pcs.

C

Ø8\*30



Wood Dowel  
28 pcs.

D

Ø4\*50



Screw  
2 pcs.

E

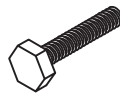
Ø3.5\*16



Screw  
8 pcs.

F

M6\*25



Hex Bolts  
8 pcs.

G

M6\*10



Heavy Hex  
8 pcs.

H



Spanner  
2 pcs.

I

Ø4\*35



Screw  
3 pcs.

J

M6\*37



Adjusting Foot  
2 pcs.

K

Ø10\*19.5



Column plastic pad long  
3 pcs.

L

Ø16\*10



Column plastic pad short  
2 pcs.

M

Ø5\*16



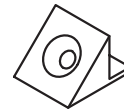
Shelf Holder  
8 pcs.

N



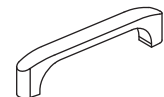
Screwdriver  
1 pc.

O



Back panel buckle  
8 pcs.

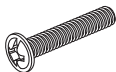
P



Handle  
2 pcs.

Q

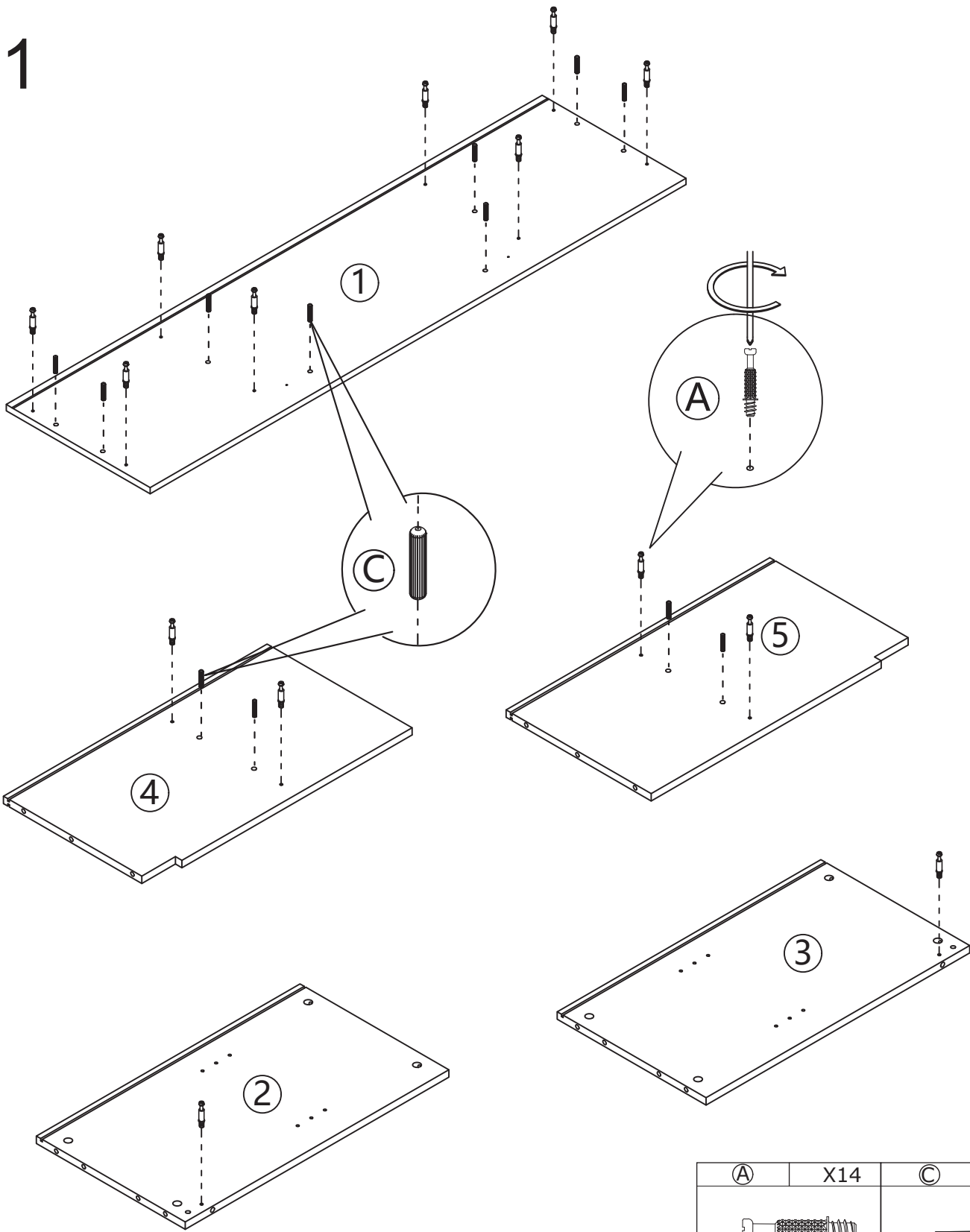
M4\*18



Machine Screw  
4 pcs.

# ASSEMBLY INSTRUCTIONS

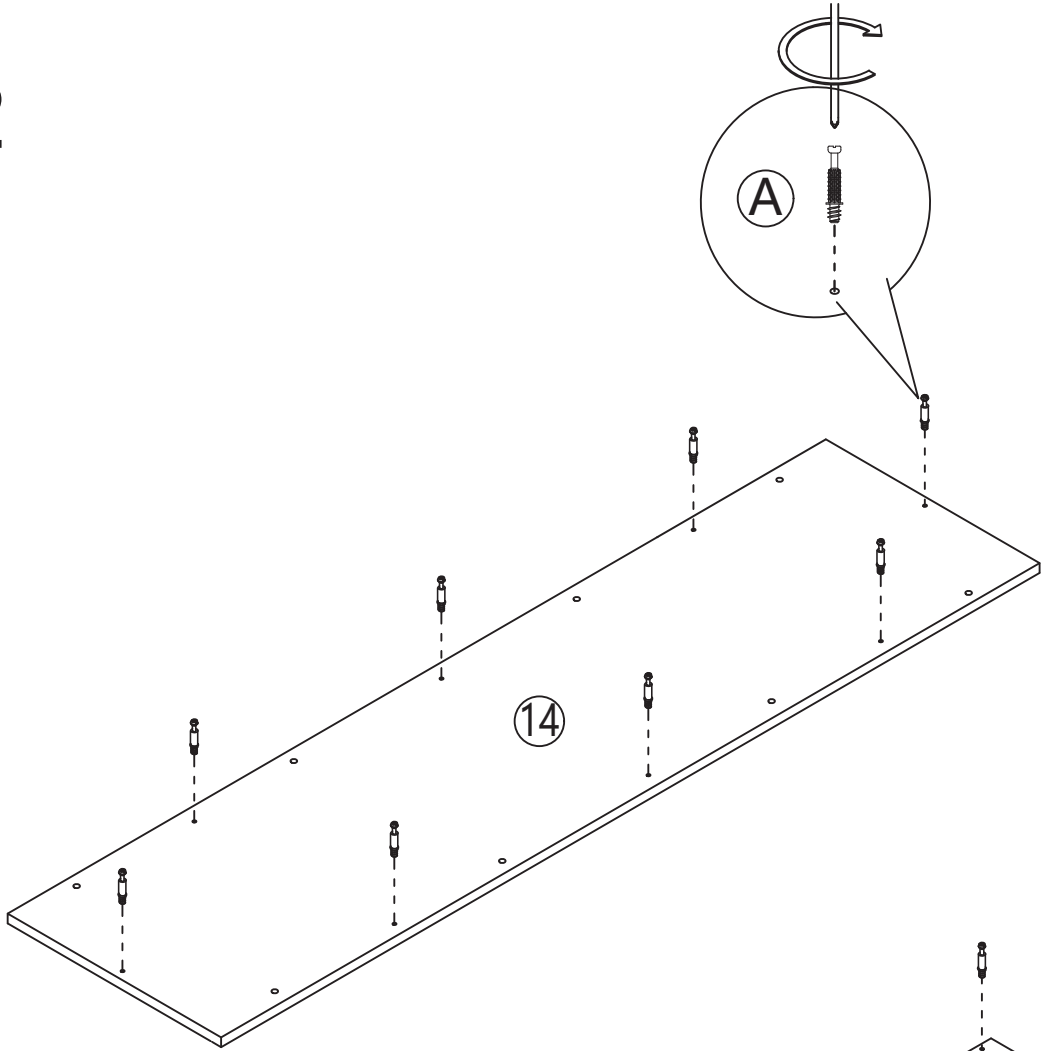
1



(A)	X14	(C)	X12

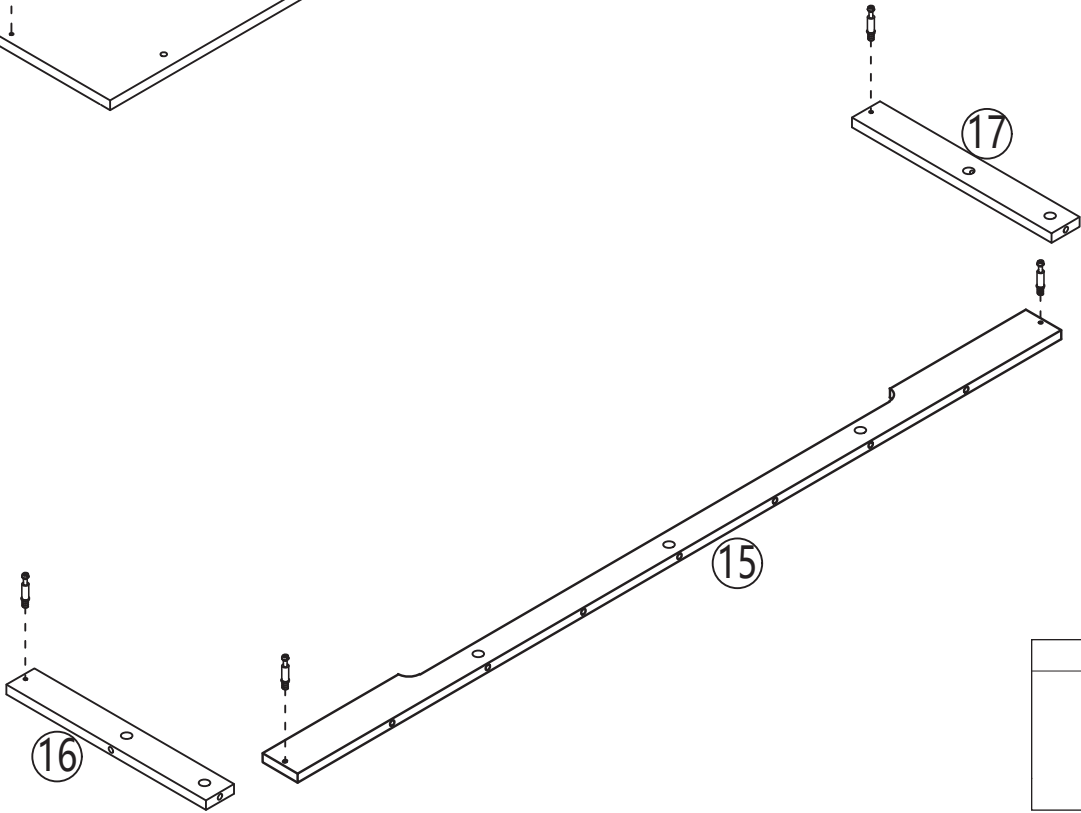
# ASSEMBLY INSTRUCTIONS

2



(A)	X8

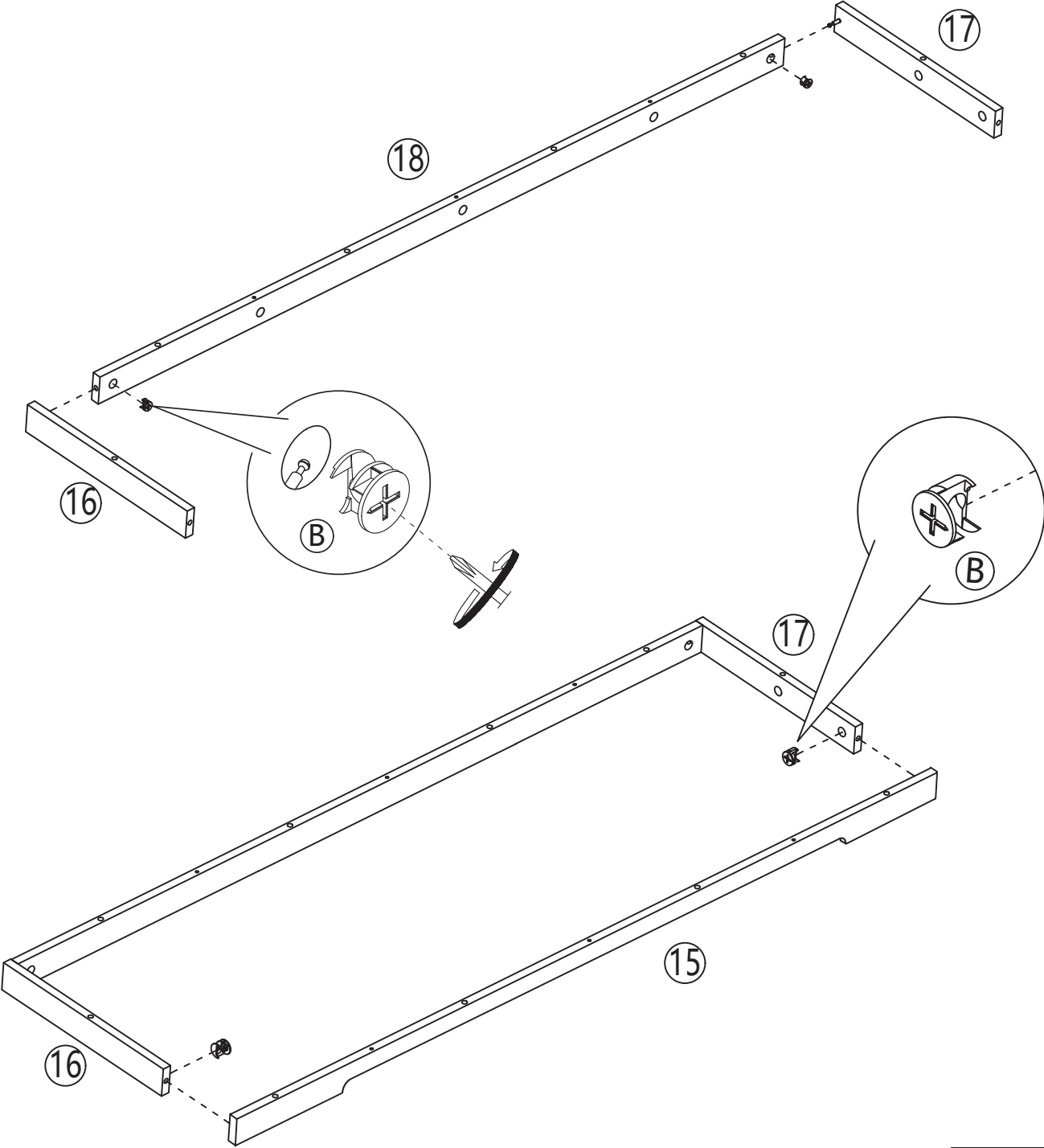
3




(A)	X4

# ASSEMBLY INSTRUCTIONS

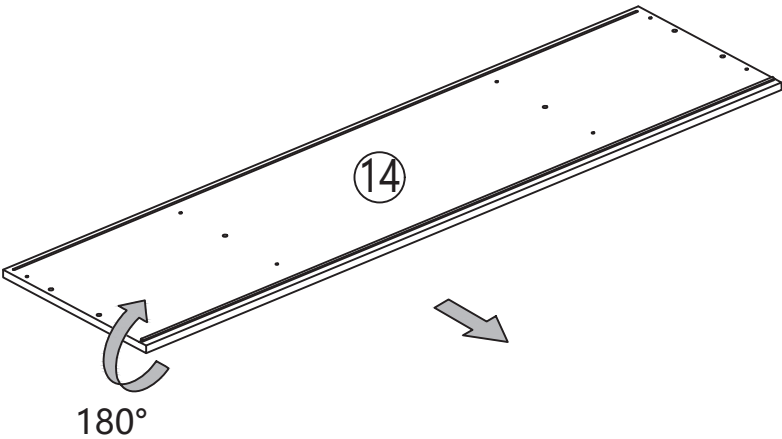
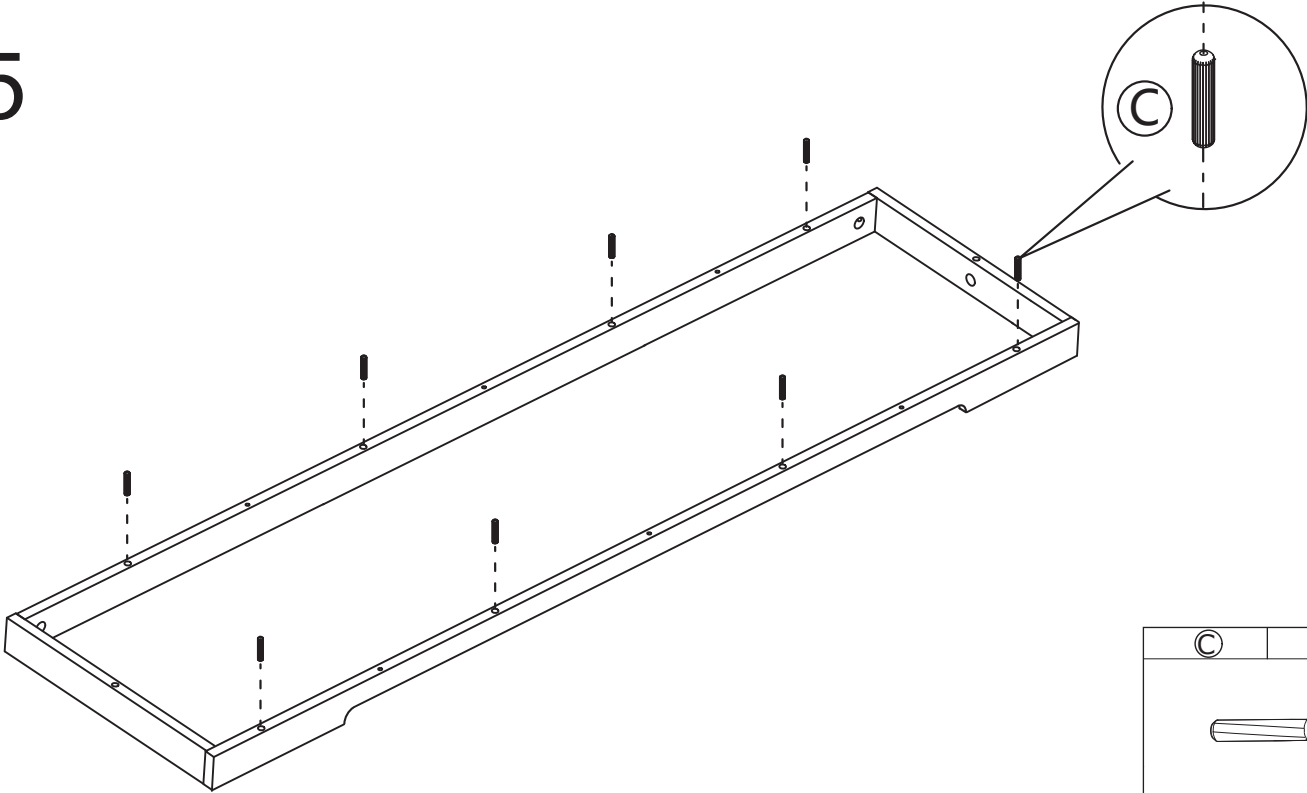
4



(B)	X4
	

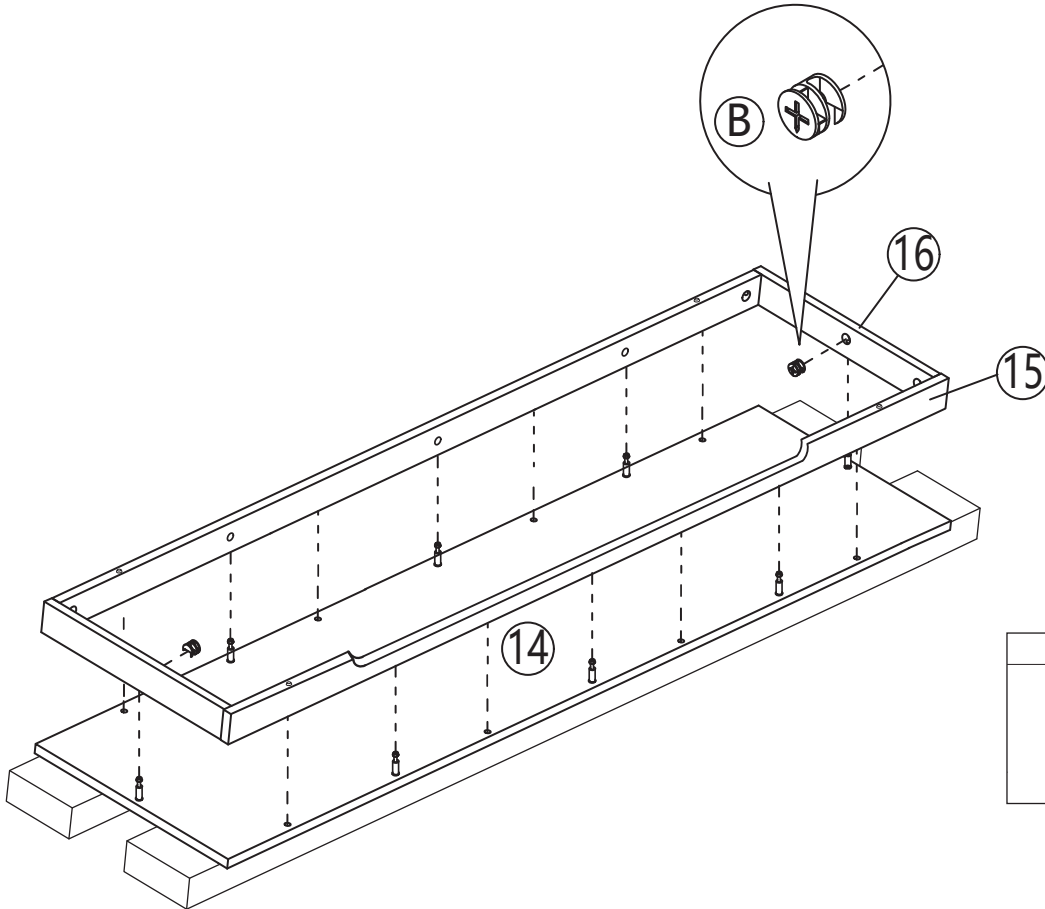
# ASSEMBLY INSTRUCTIONS

5



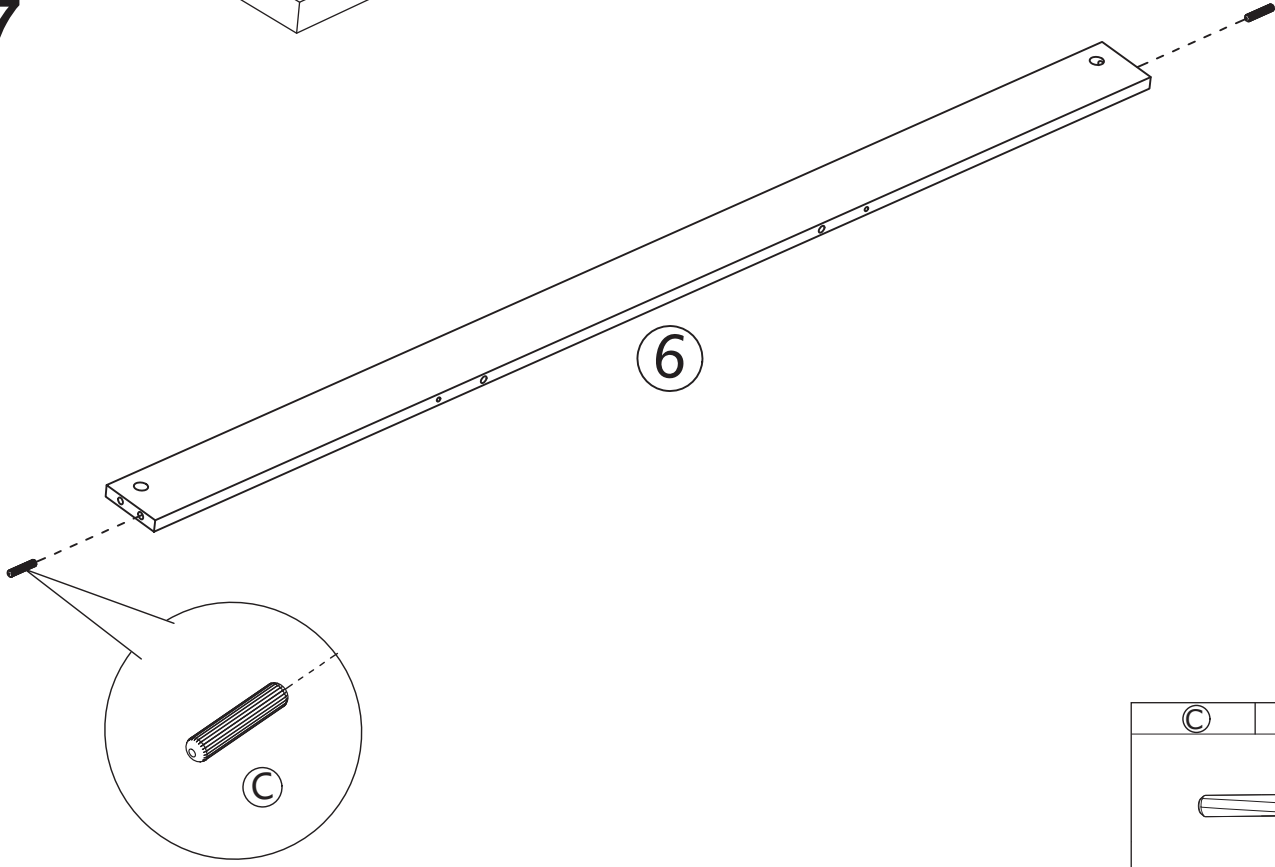
# ASSEMBLY INSTRUCTIONS

6



(B)	X8

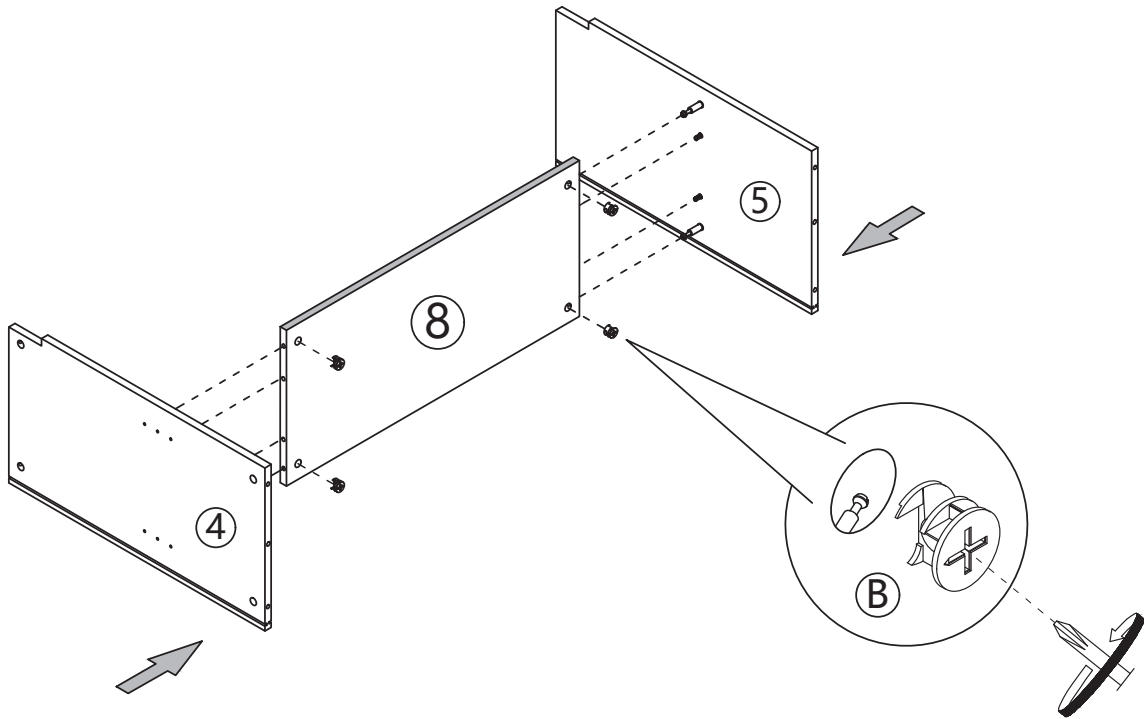
7




(C)	X2

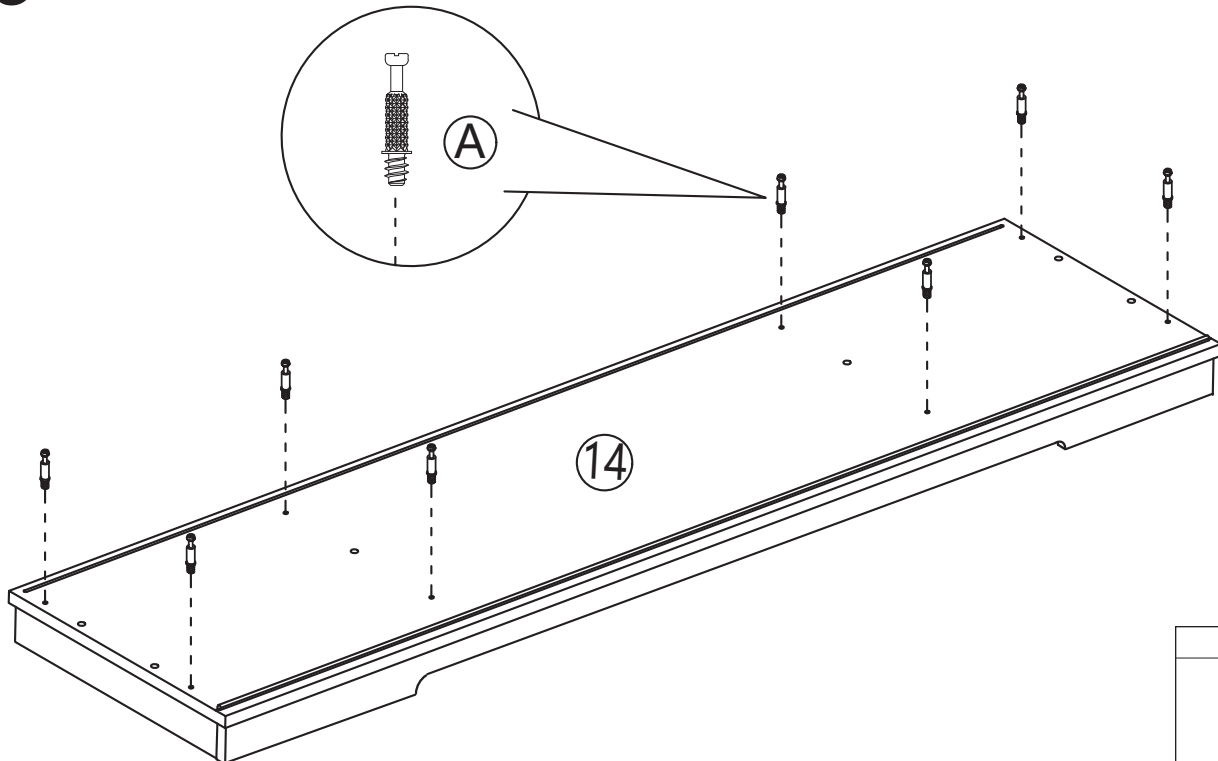
# ASSEMBLY INSTRUCTIONS


8



(B)	X4
	

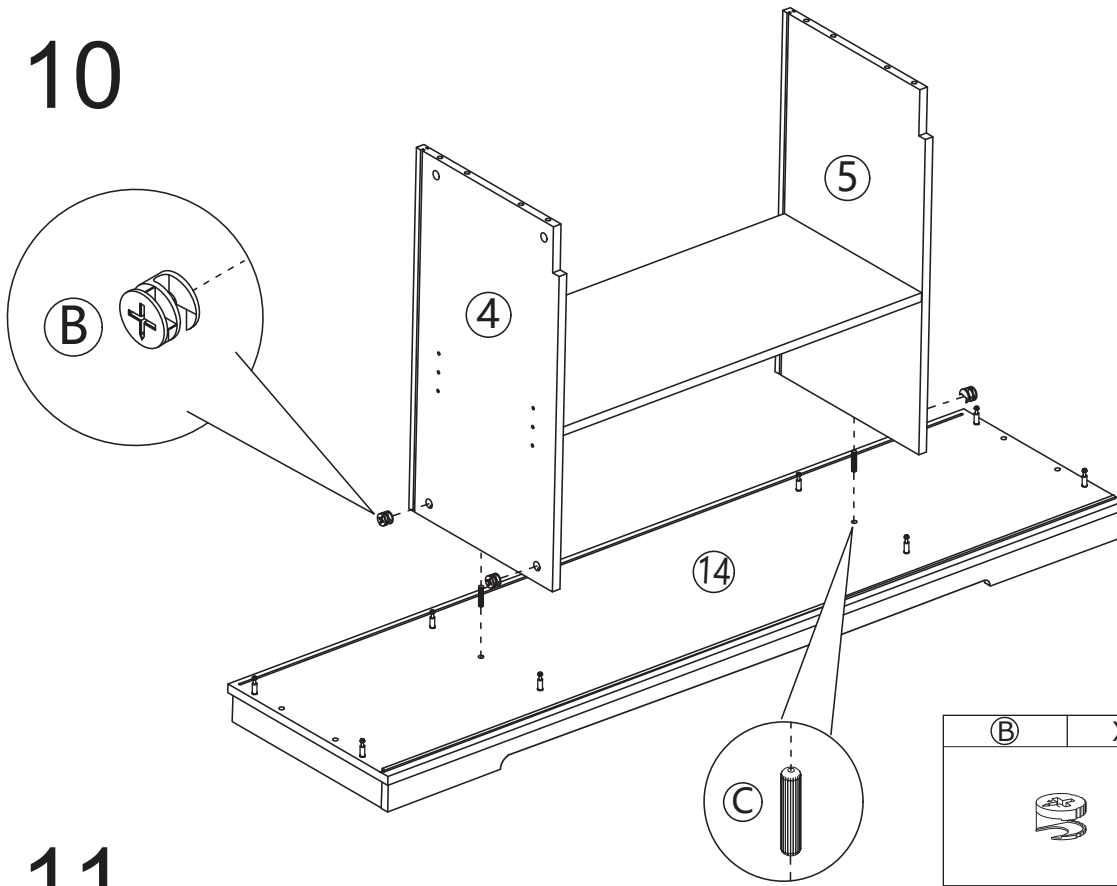
9



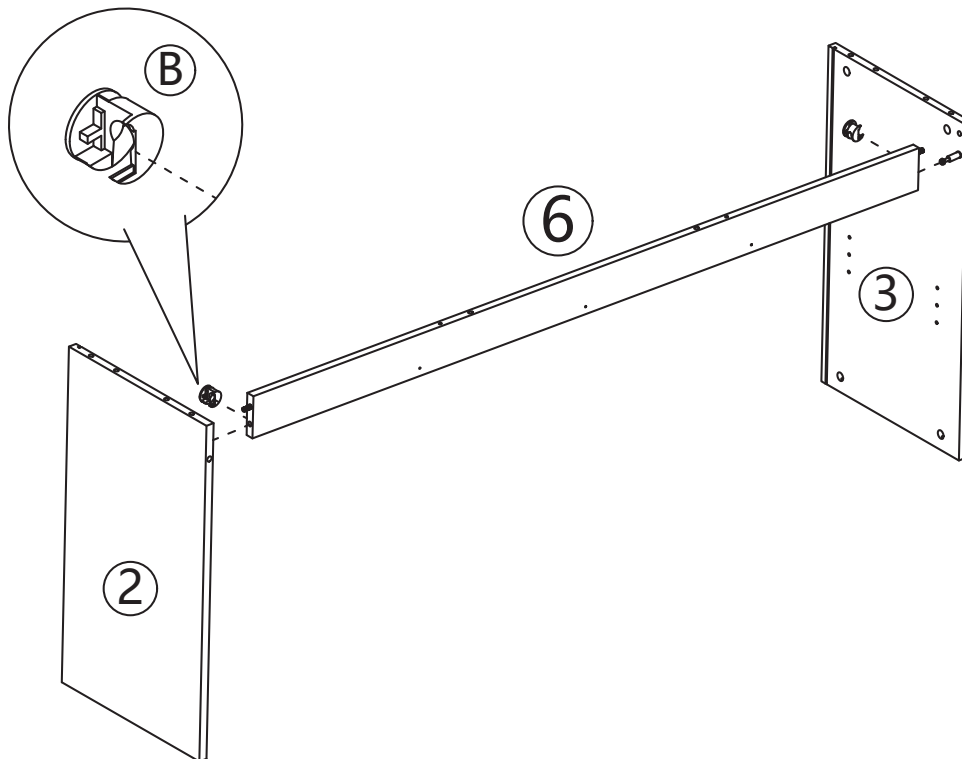
(A)	X8
	

# ASSEMBLY INSTRUCTIONS

10

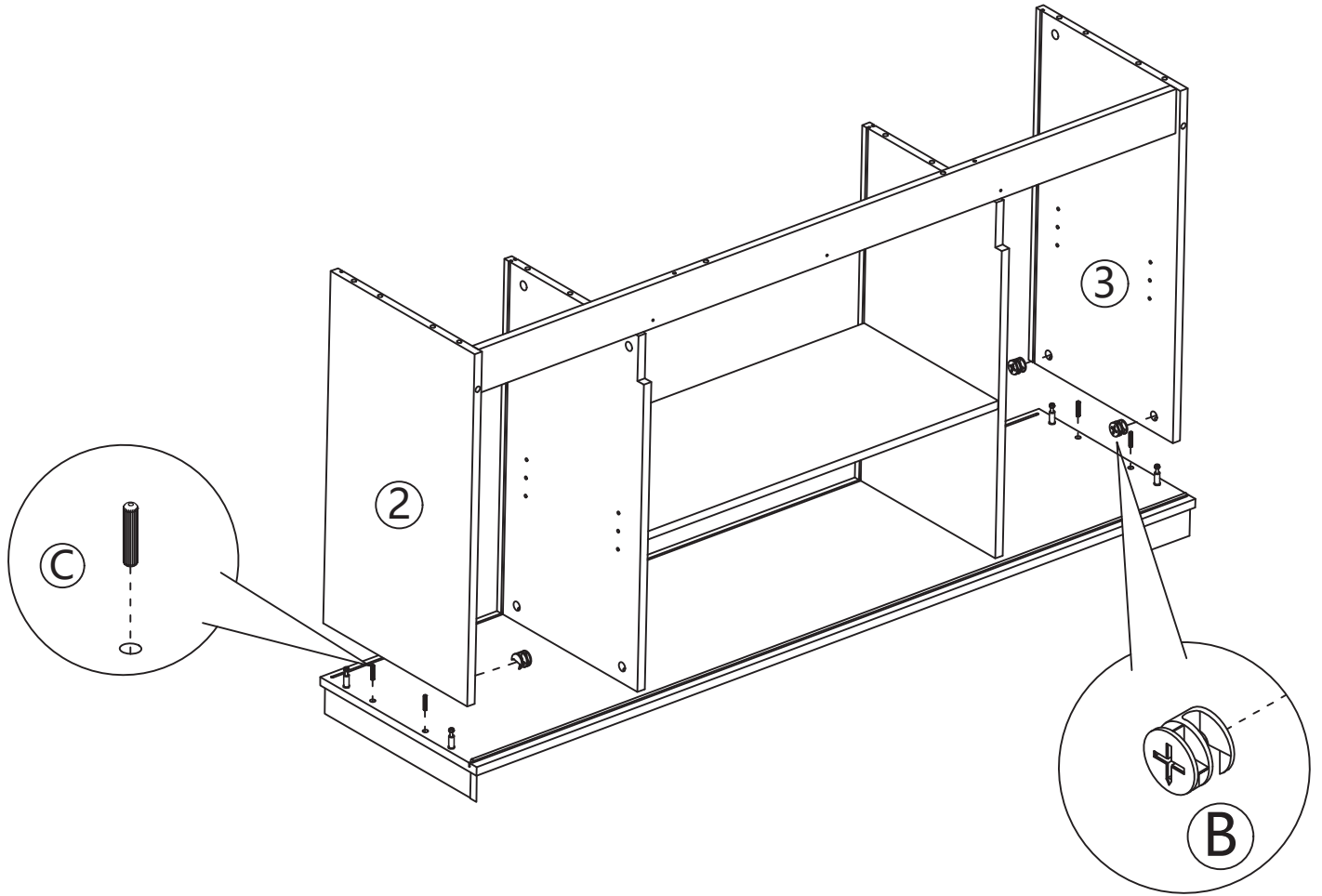




11



# ASSEMBLY INSTRUCTIONS

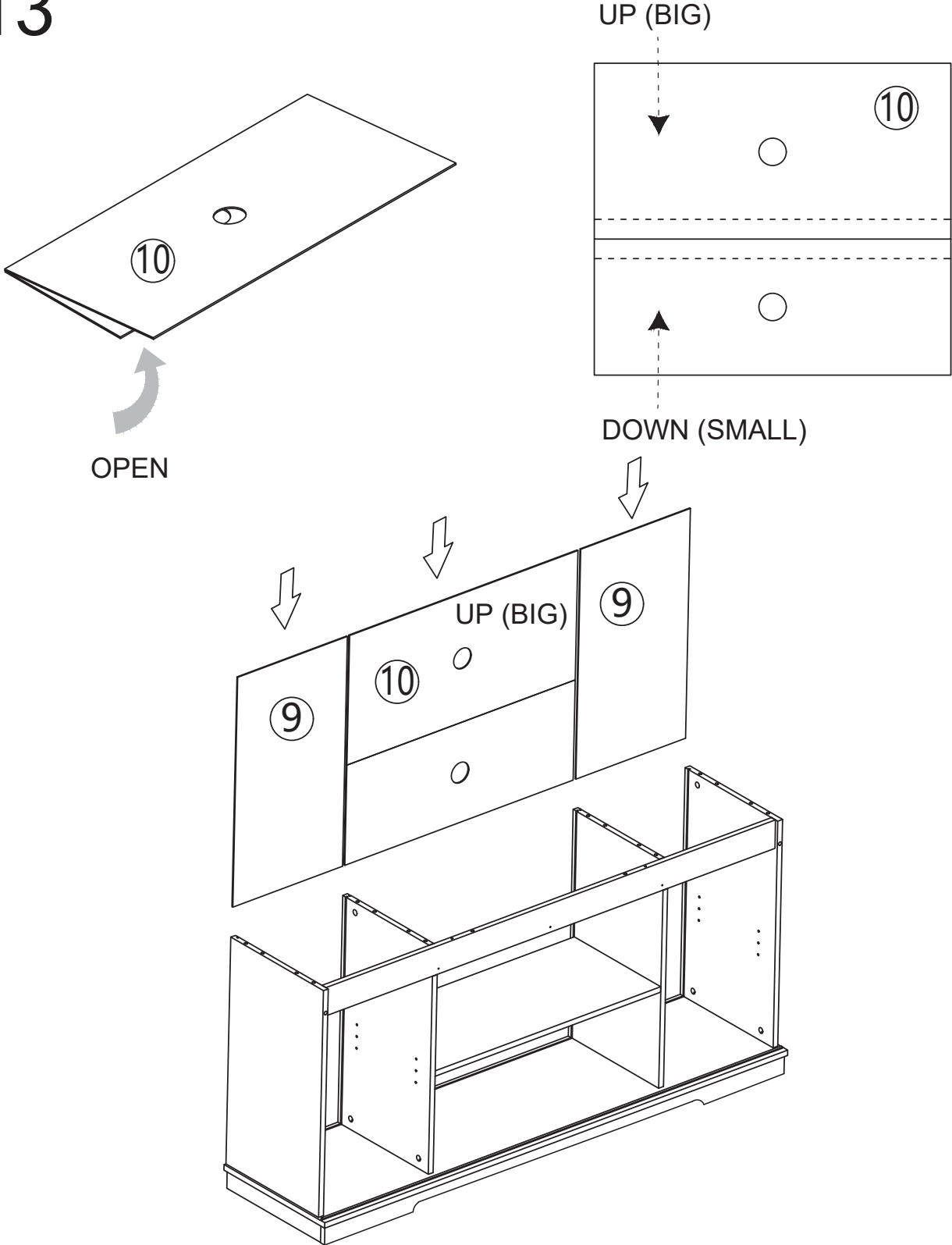
## 12



(B)	X4	(C)	X4
			

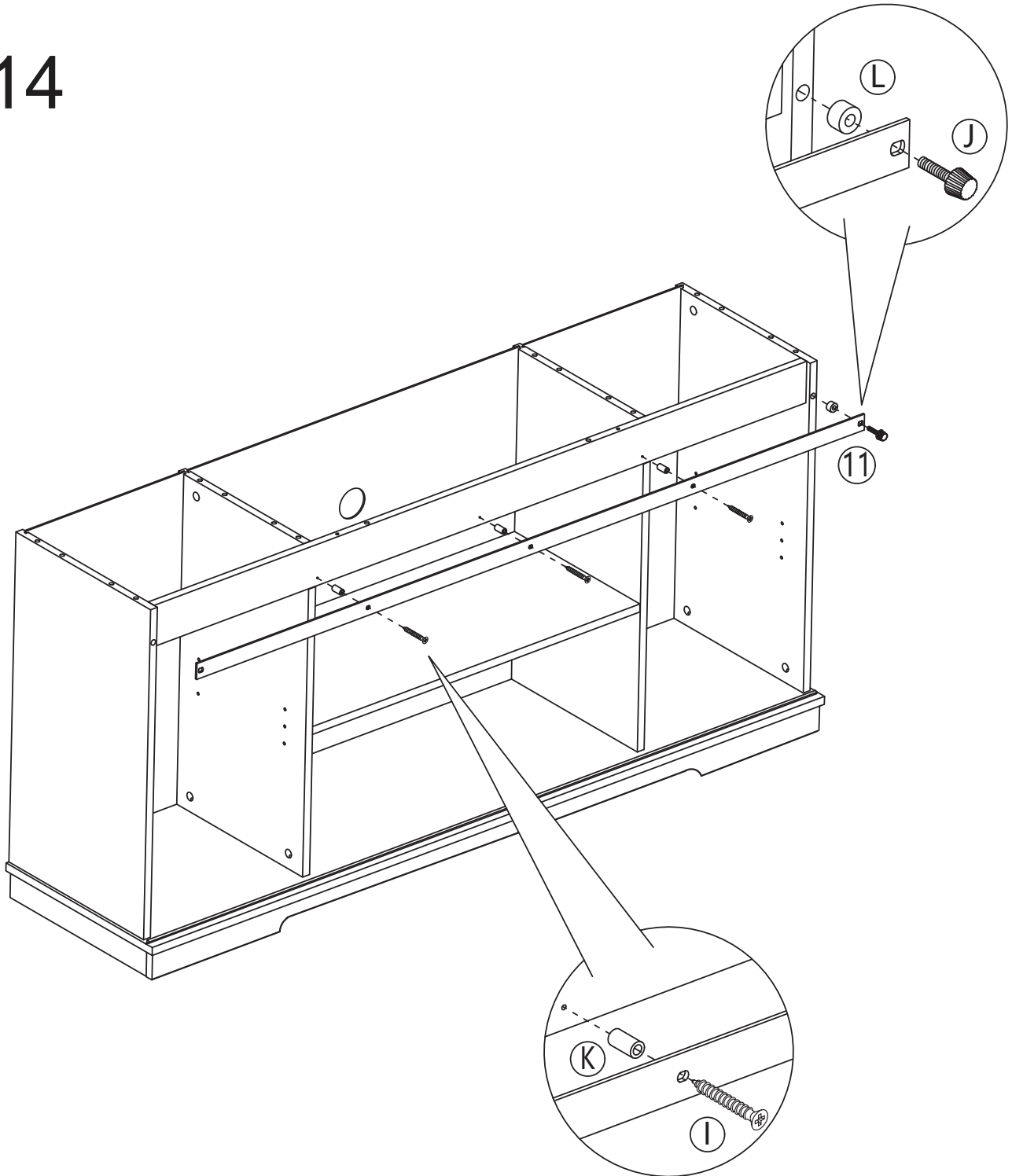
# ASSEMBLY INSTRUCTIONS





13



# ASSEMBLY INSTRUCTIONS

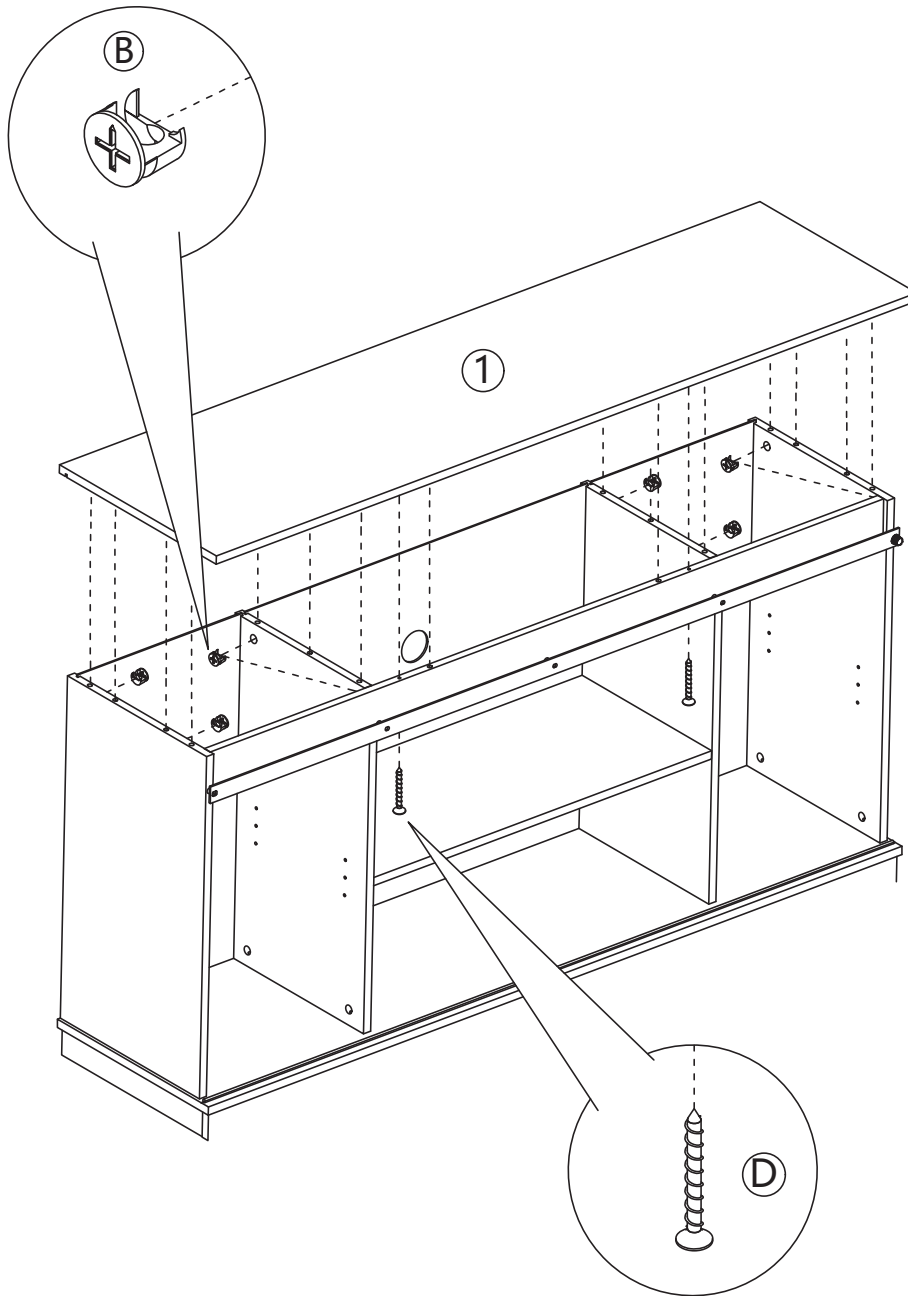
# 14





ⓐ	X3	ⓑ	X1	ⓒ	X3	ⓓ	X1
							

# ASSEMBLY INSTRUCTIONS

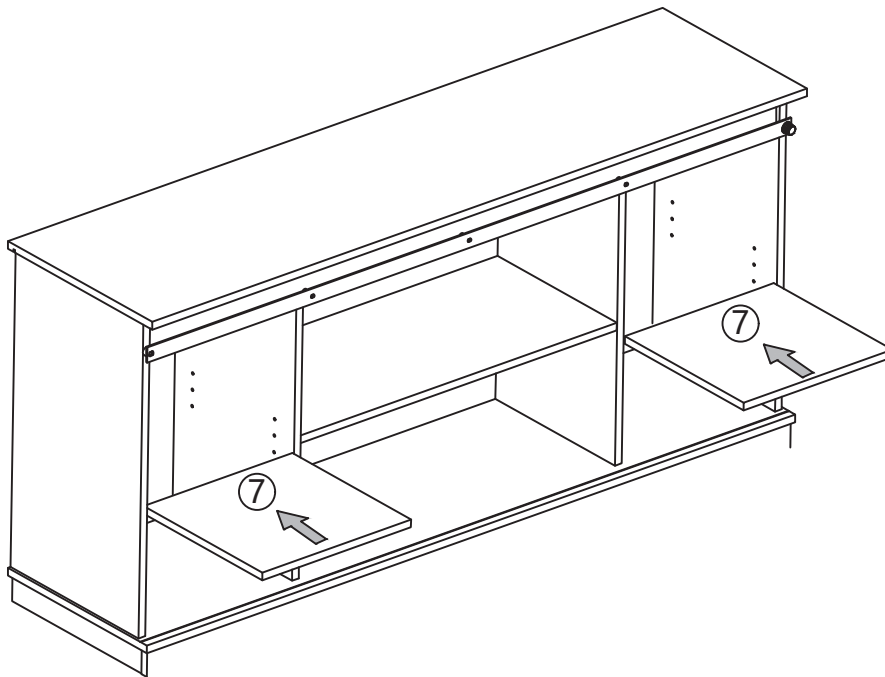
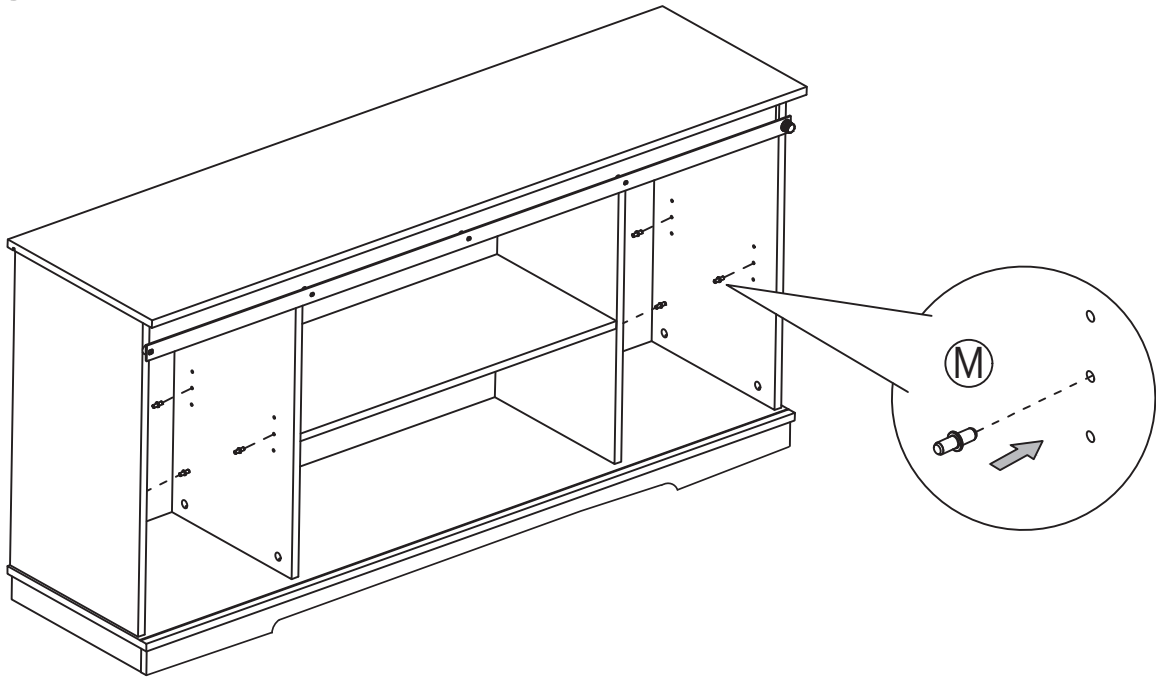
## 15




B	X8	D	X2
			

# ASSEMBLY INSTRUCTIONS

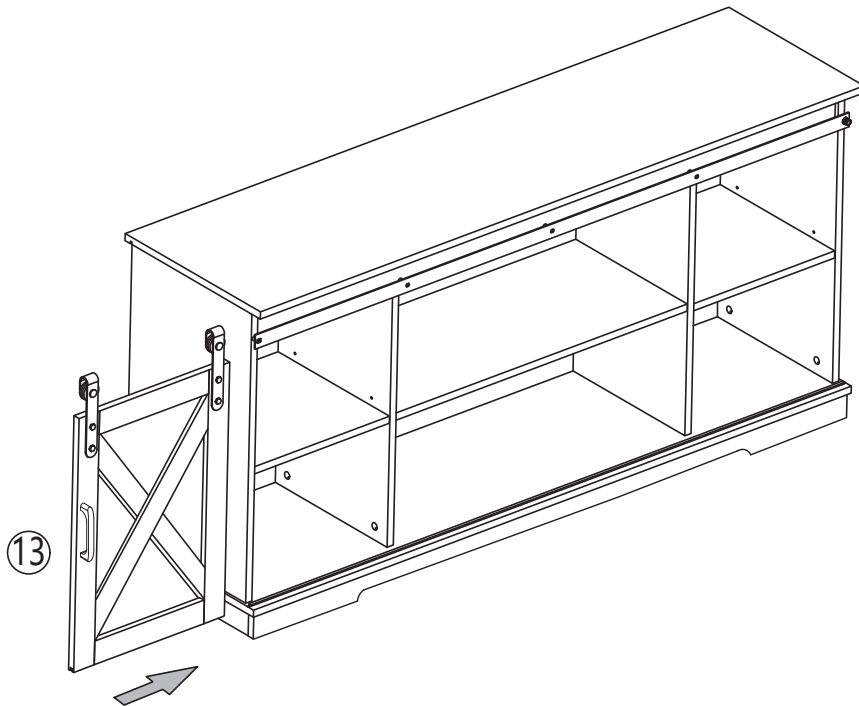
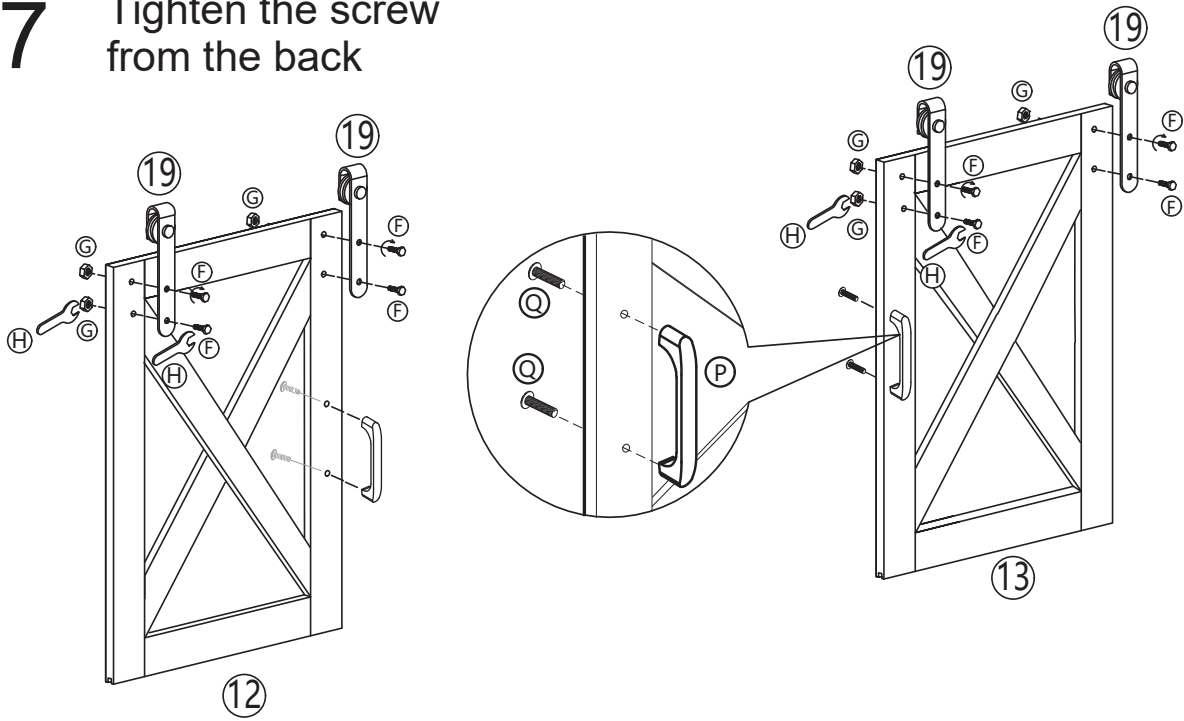
## 16








(M)	X8
	

# ASSEMBLY INSTRUCTIONS

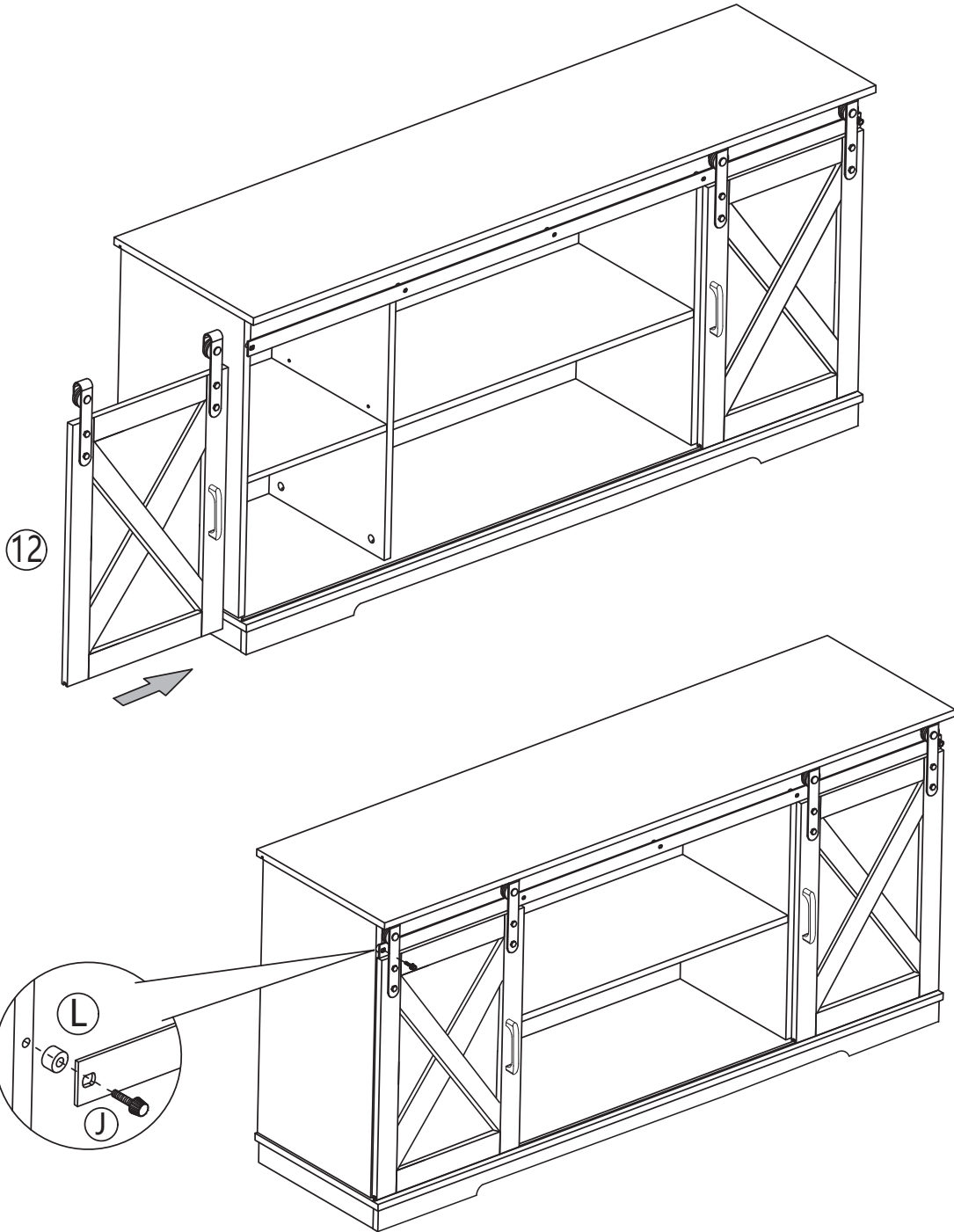
**17** Tighten the screw from the back





(F)	X8	(G)	X8	(H)	X2	(P)	X2	(Q)	X4
									

# ASSEMBLY INSTRUCTIONS

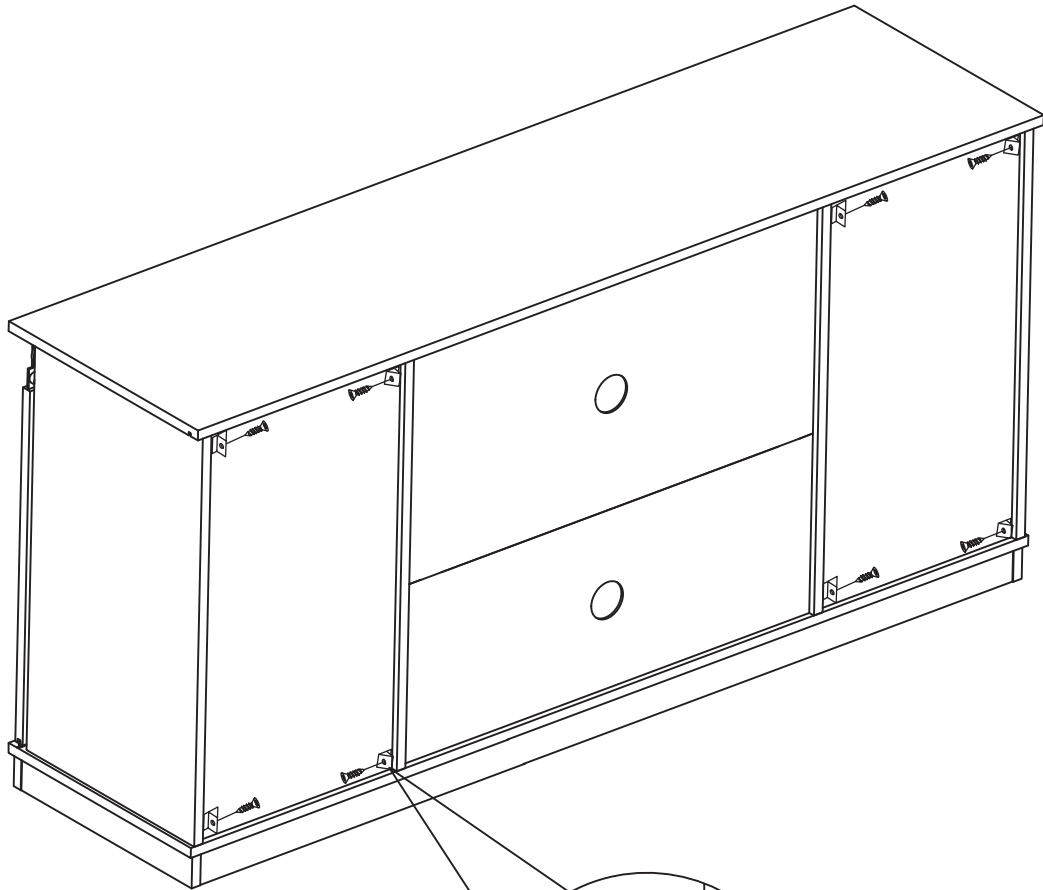
# 18



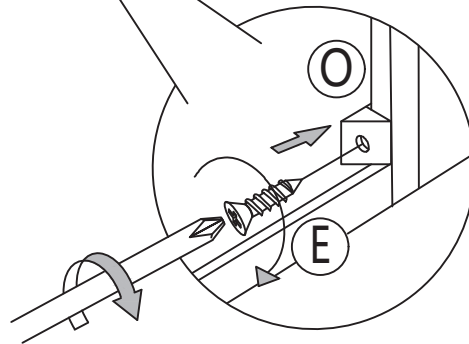
(J)	X1	(L)	X1
			


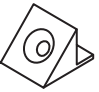
# ASSEMBLY INSTRUCTIONS

# 19



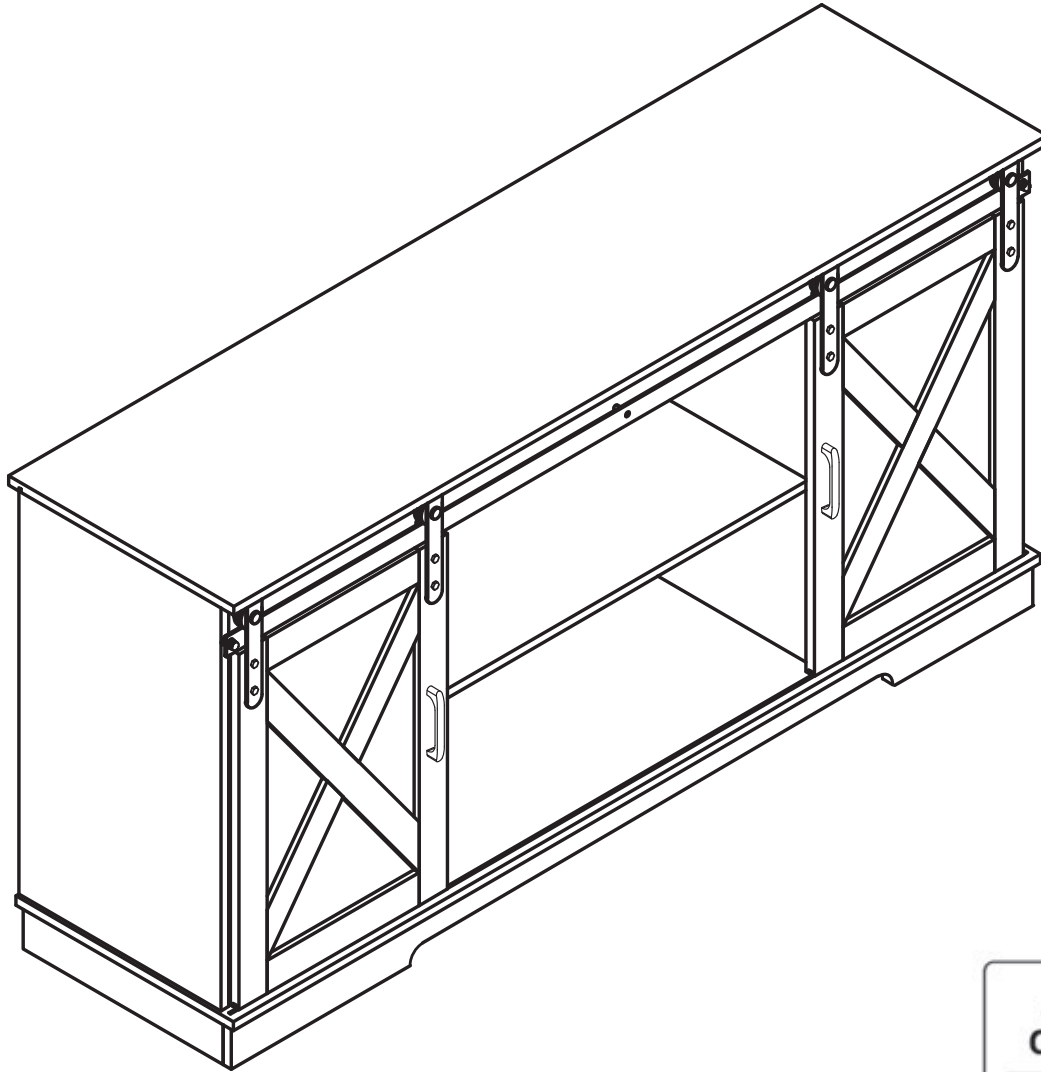
**FINISH!**



E	X8	O	X8
			

# ASSEMBLY INSTRUCTIONS

# 20



**Note: Uneven ground may cause uneven door panels.**

## ASSEMBLY COMPLETED



Please ensure the furniture rests on an even and flat surface. If the product wobbles or feels loose, double-check all bolts and/or screws are properly tightened and secured.



### Keep this handy!

Please retain this instruction manual and any order-related information for future reference.



### Lift, don't drag!

To avoid damage to product please always LIFT the product when transporting or adjusting the placement.

This product is intended for RESIDENTIAL USE ONLY and not for commercial use.