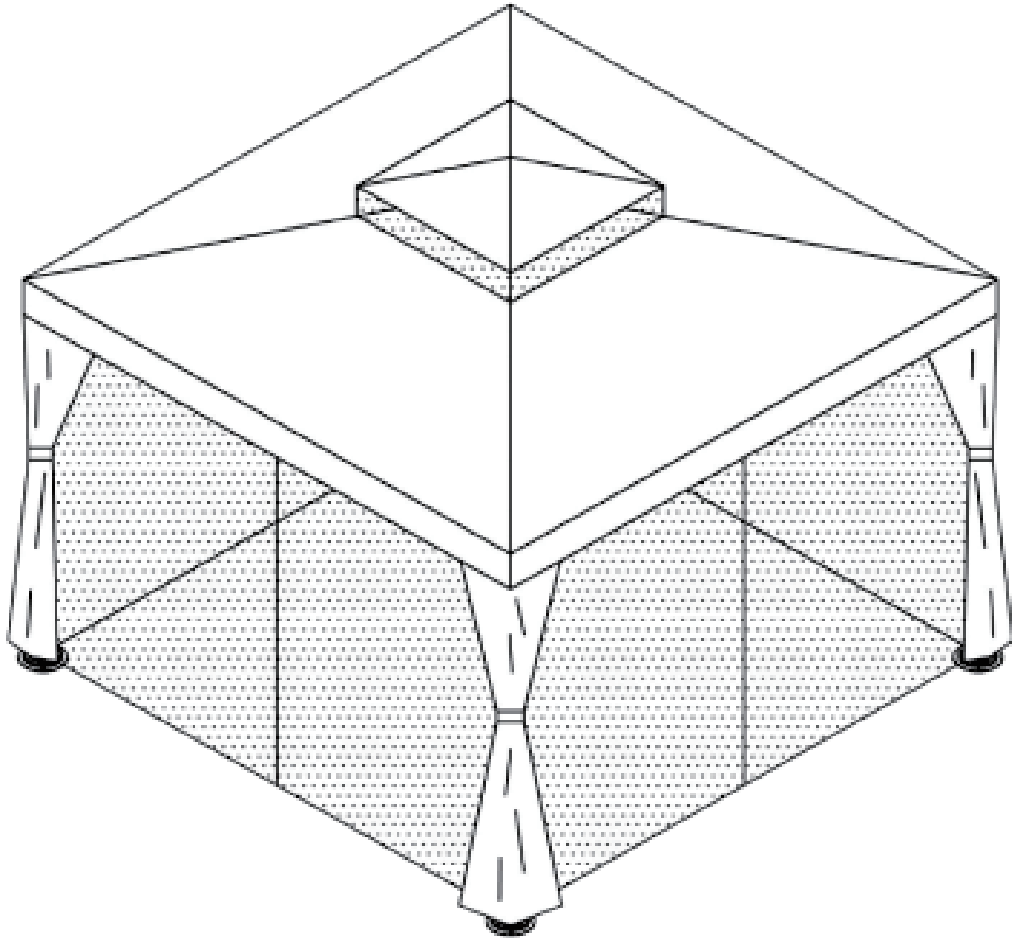


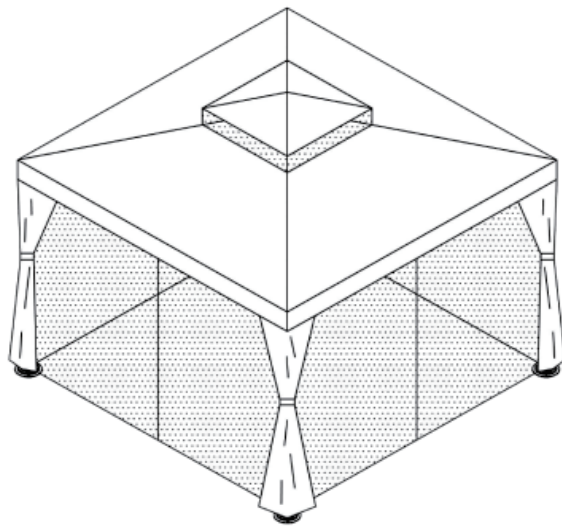
DHW005LN087B




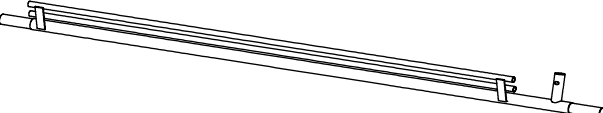
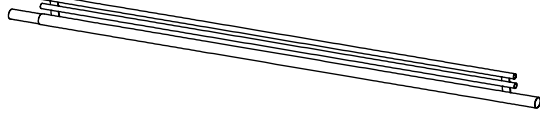
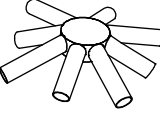


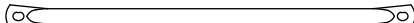
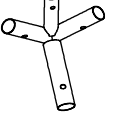
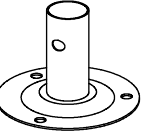

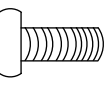
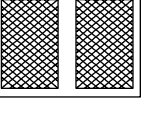
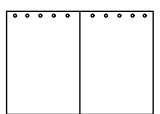
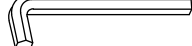
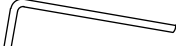
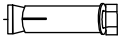
OUTDOOR GARDEN GAZEBO

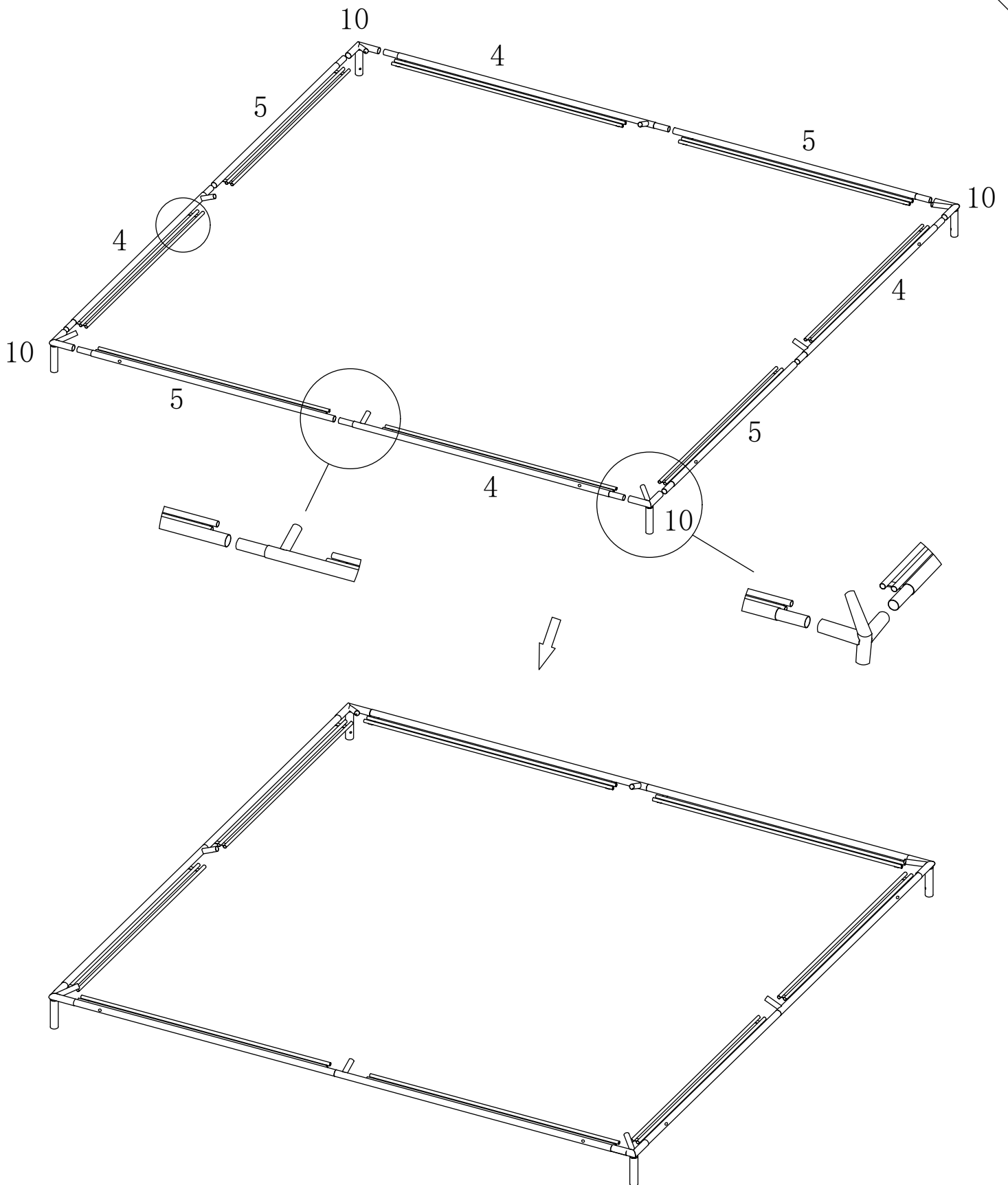


Follow our assembly video






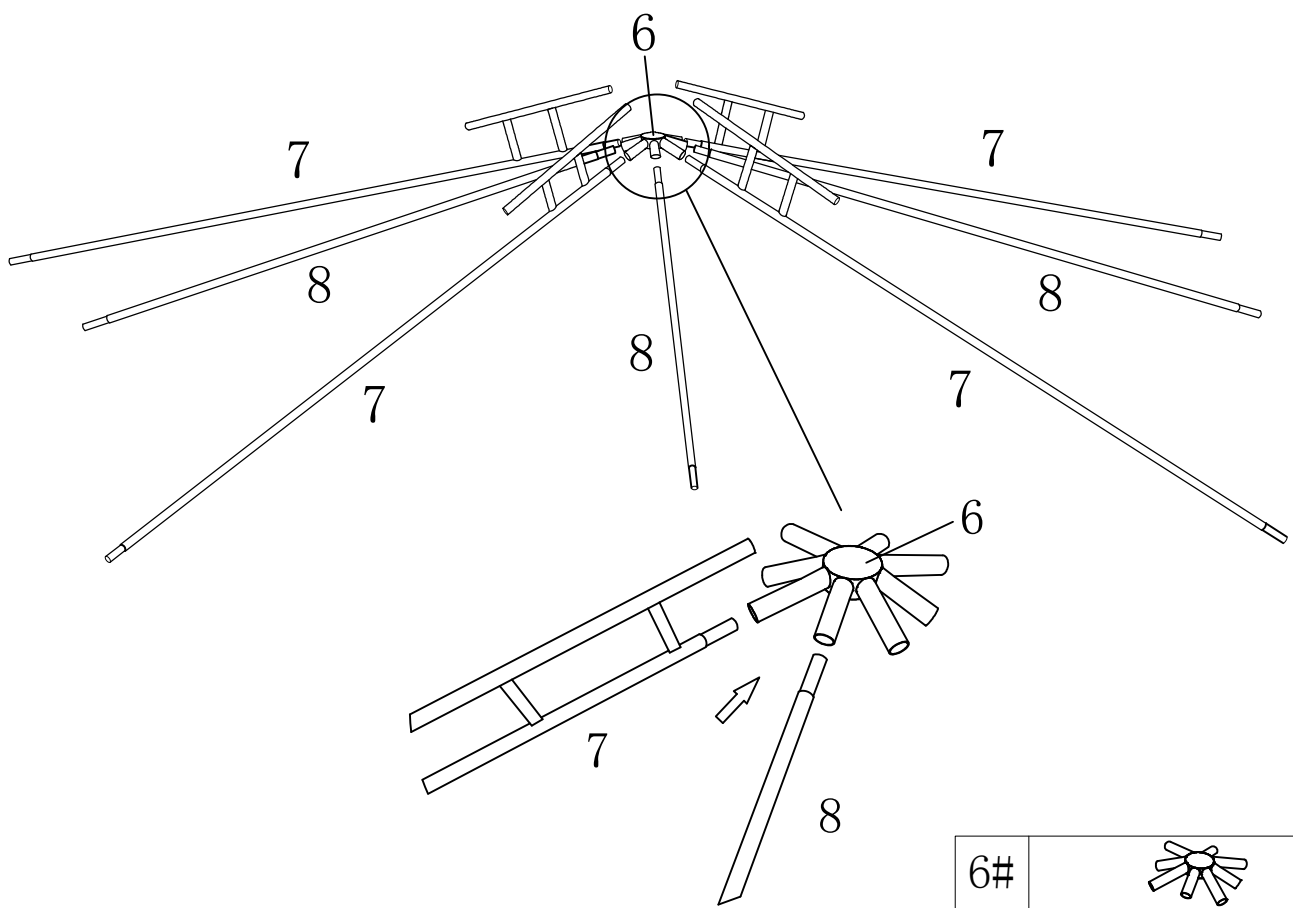


	1#	x4	2#		x1							
	3#			x1								
	4#			x4								
	5#			x4								
	6#			x1								
	7#	x4		8#	x4							
9#	x8		10#	x4								
11#	x4		12#	x80		13#	x16		M6*15mm	14#	x4	
15#	x4		16#	x1		17#	x8		18#	x4		



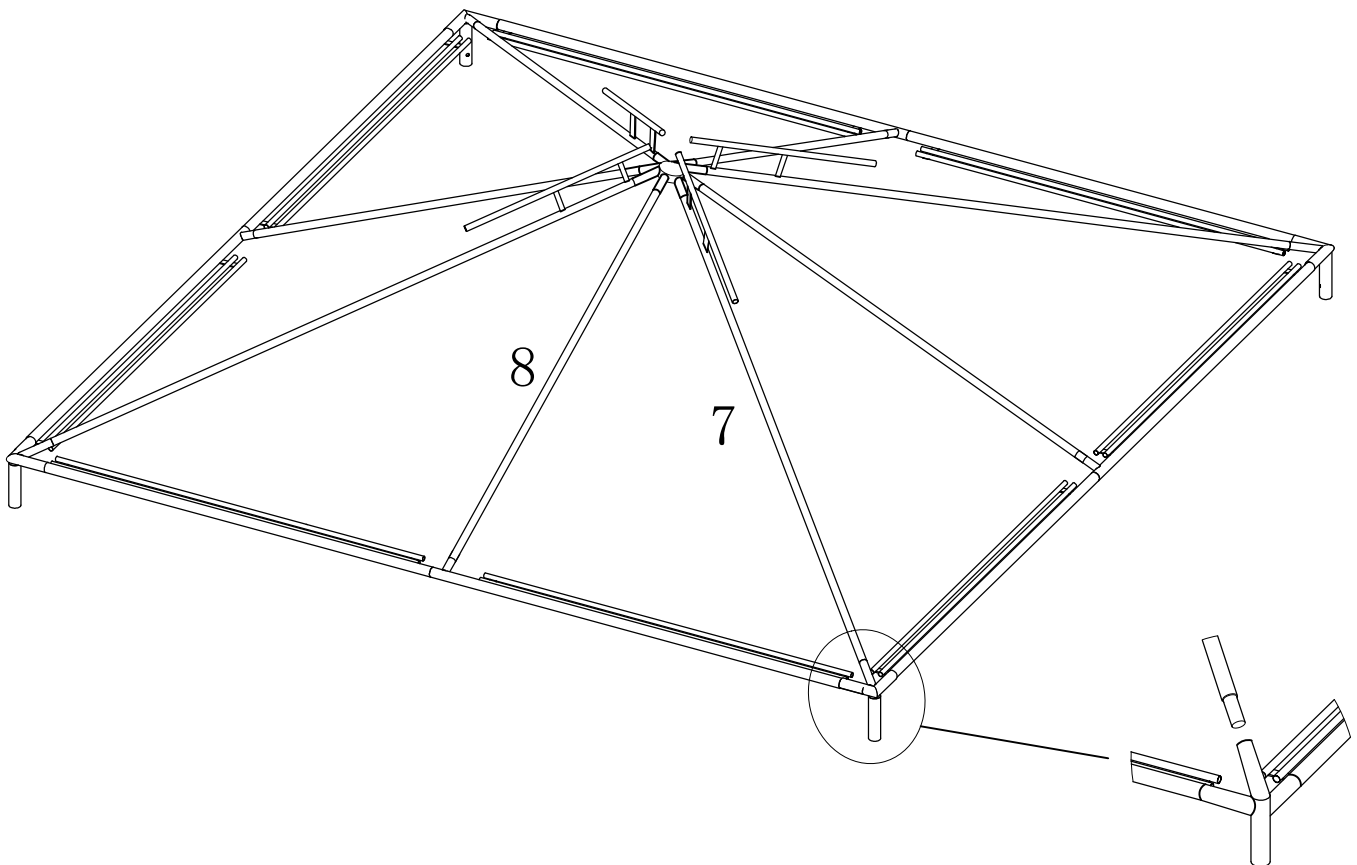
As shown, first assemble the parts (4#) and (5#). Snap ring insertion port of (4#) faces inward. Finally, fasten frame's four corners with (10#) to finish roof installation.

4#		4
5#		4
10#		4

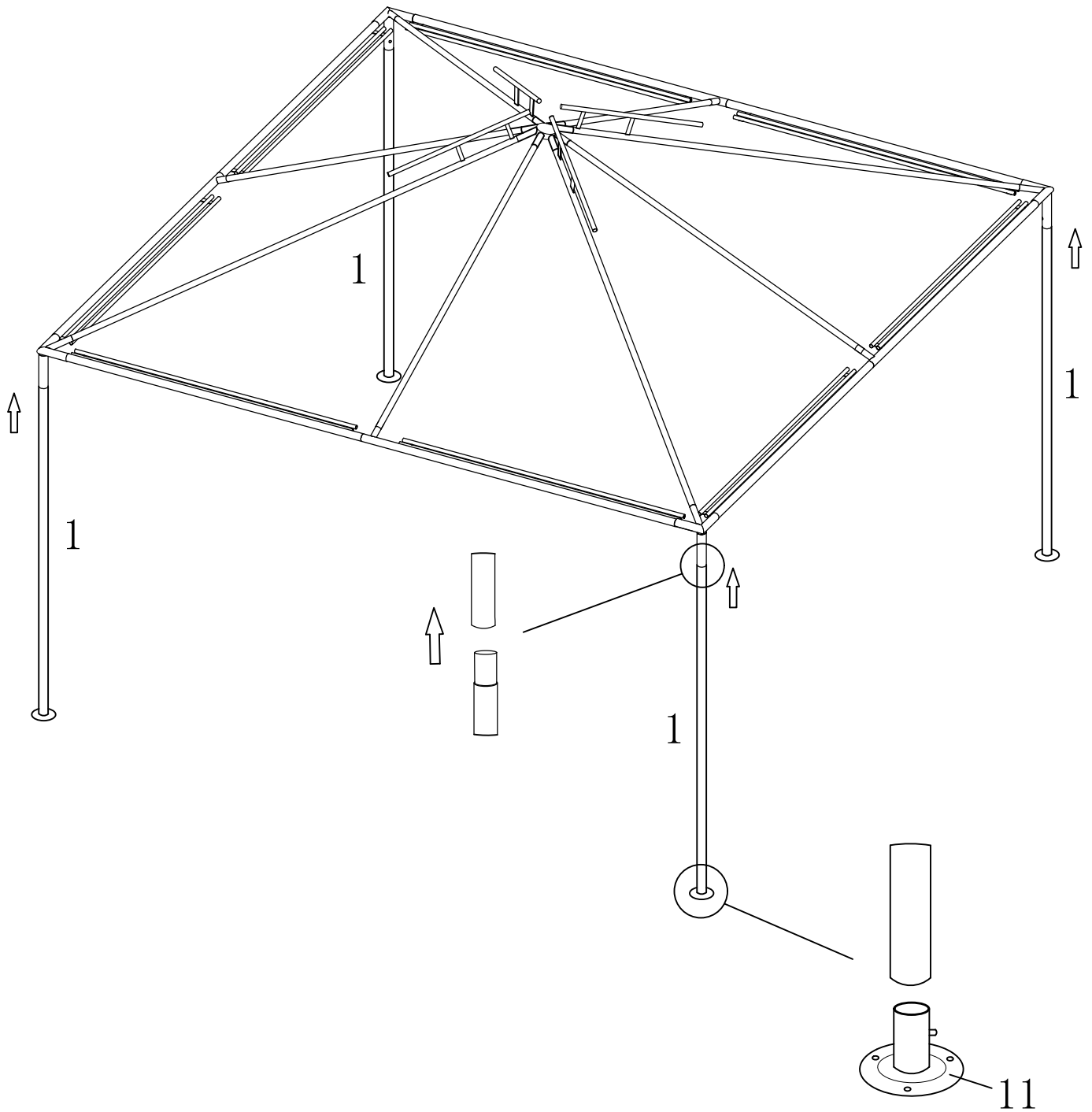


Insert (7#) and (8#) into (6#) in order to complete the construction of the roof.



6#		1
7#		4
8#		4

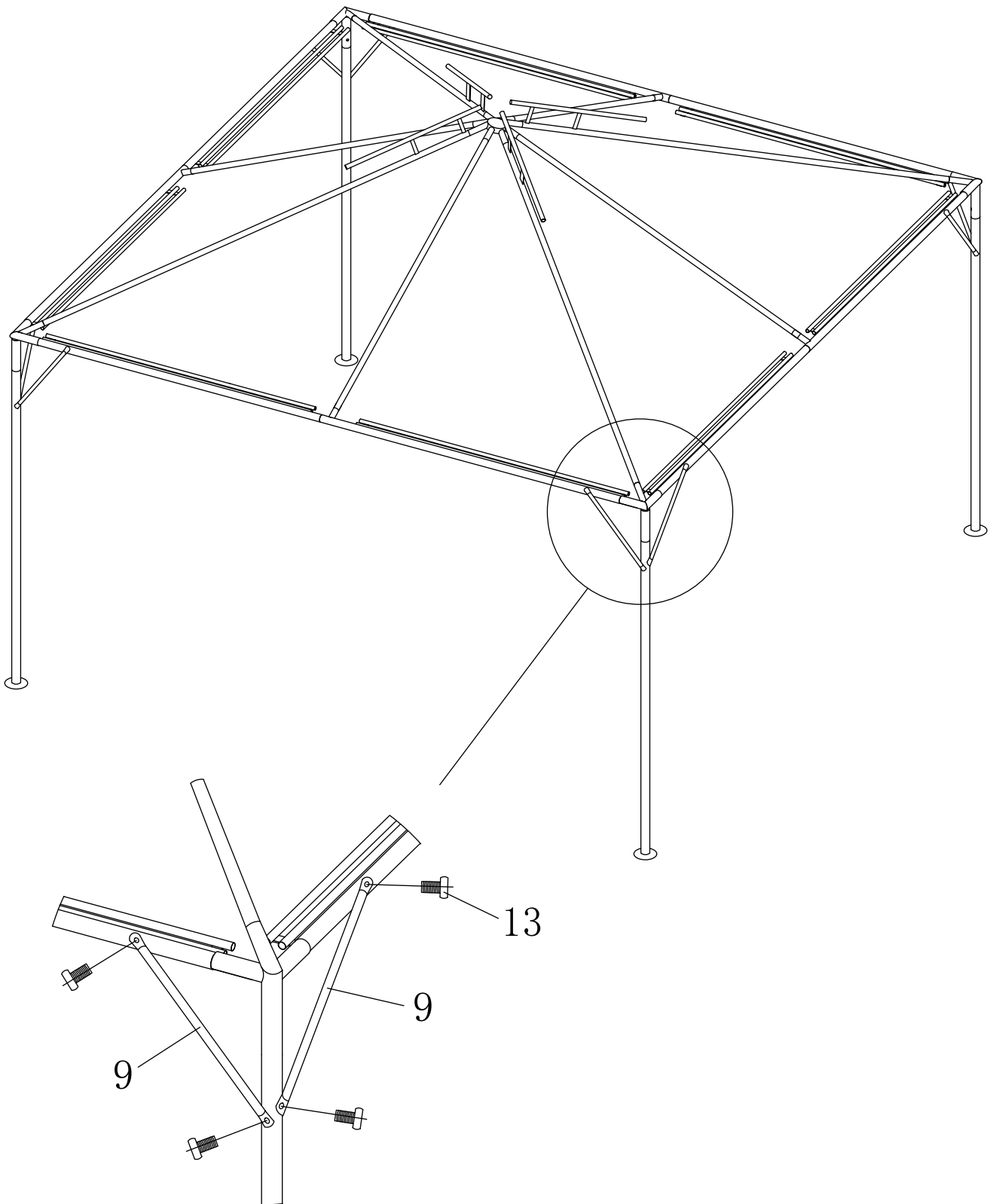


Join the two finished roof frames into the full one.

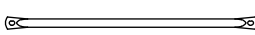
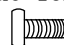


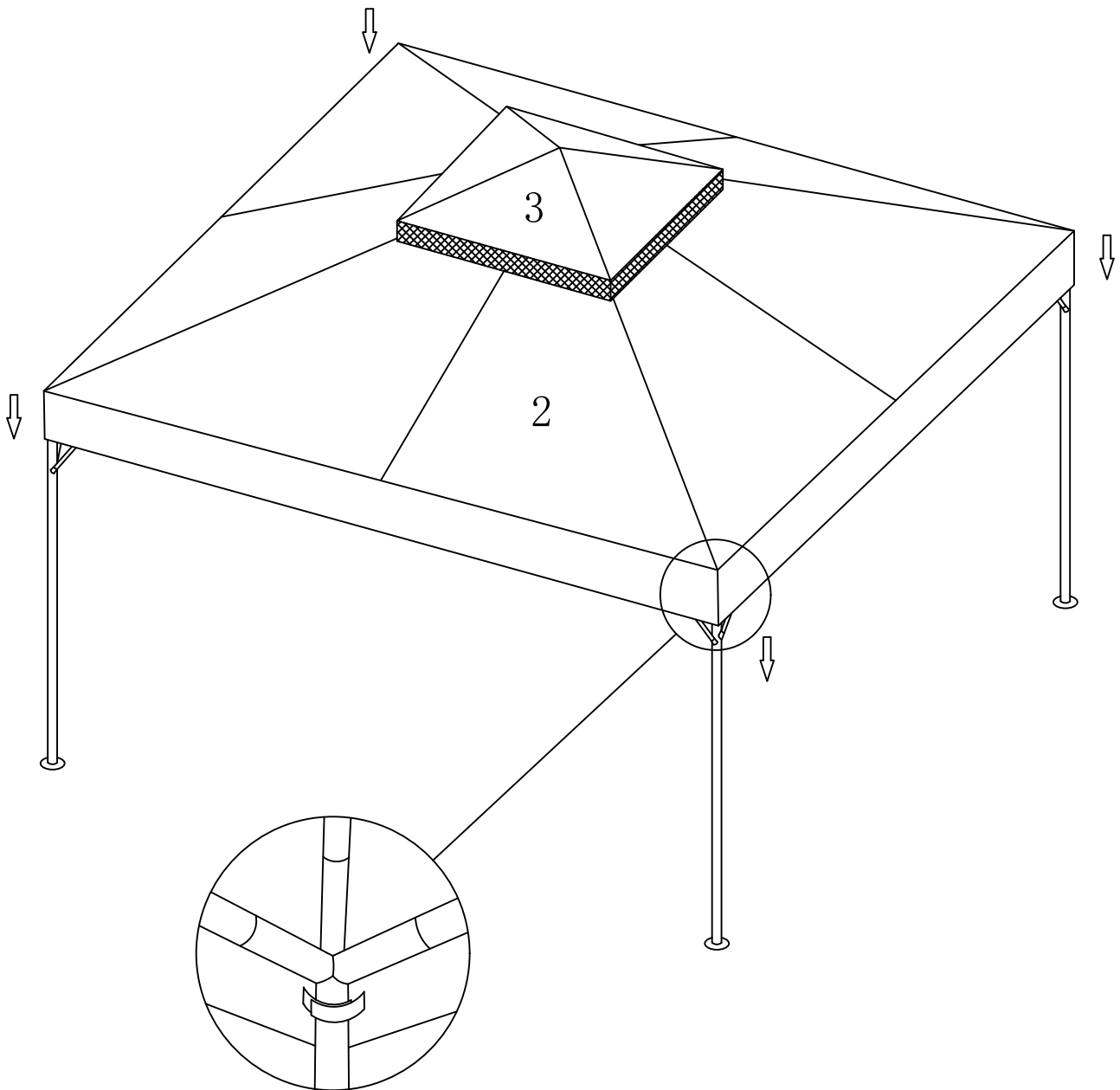
Join Leg (1#) to Corner Bracket (10#). Fit Foot Plates (11#) on the bottom in order.

1#		4
11#		4



Align the holes at both ends of Bracket (9#) with those of Crossbars (4 #) or (5#), and Leg (1#), then secure with (13#) bolts.

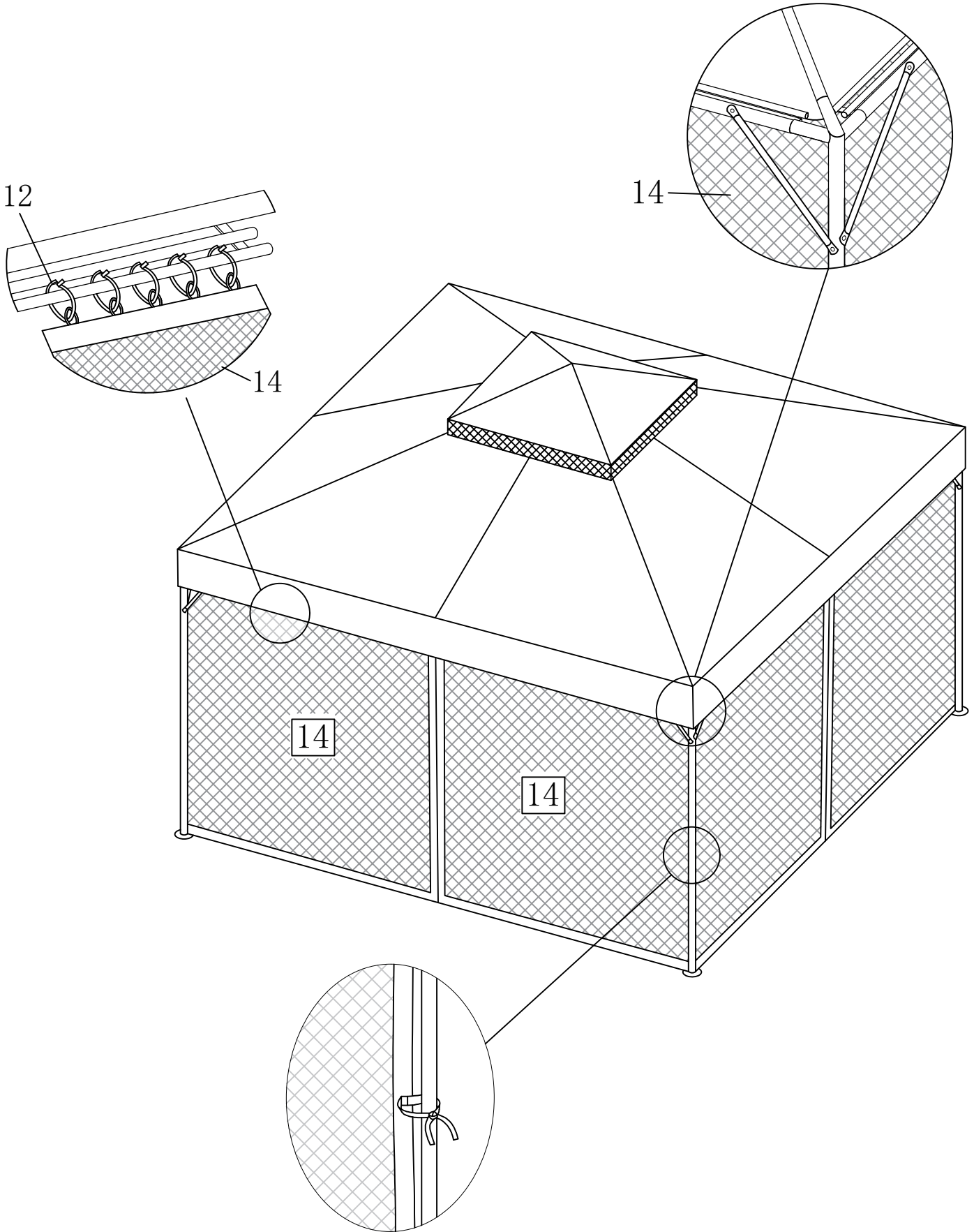
9#		8
13#	M6*15mm 	16


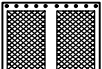


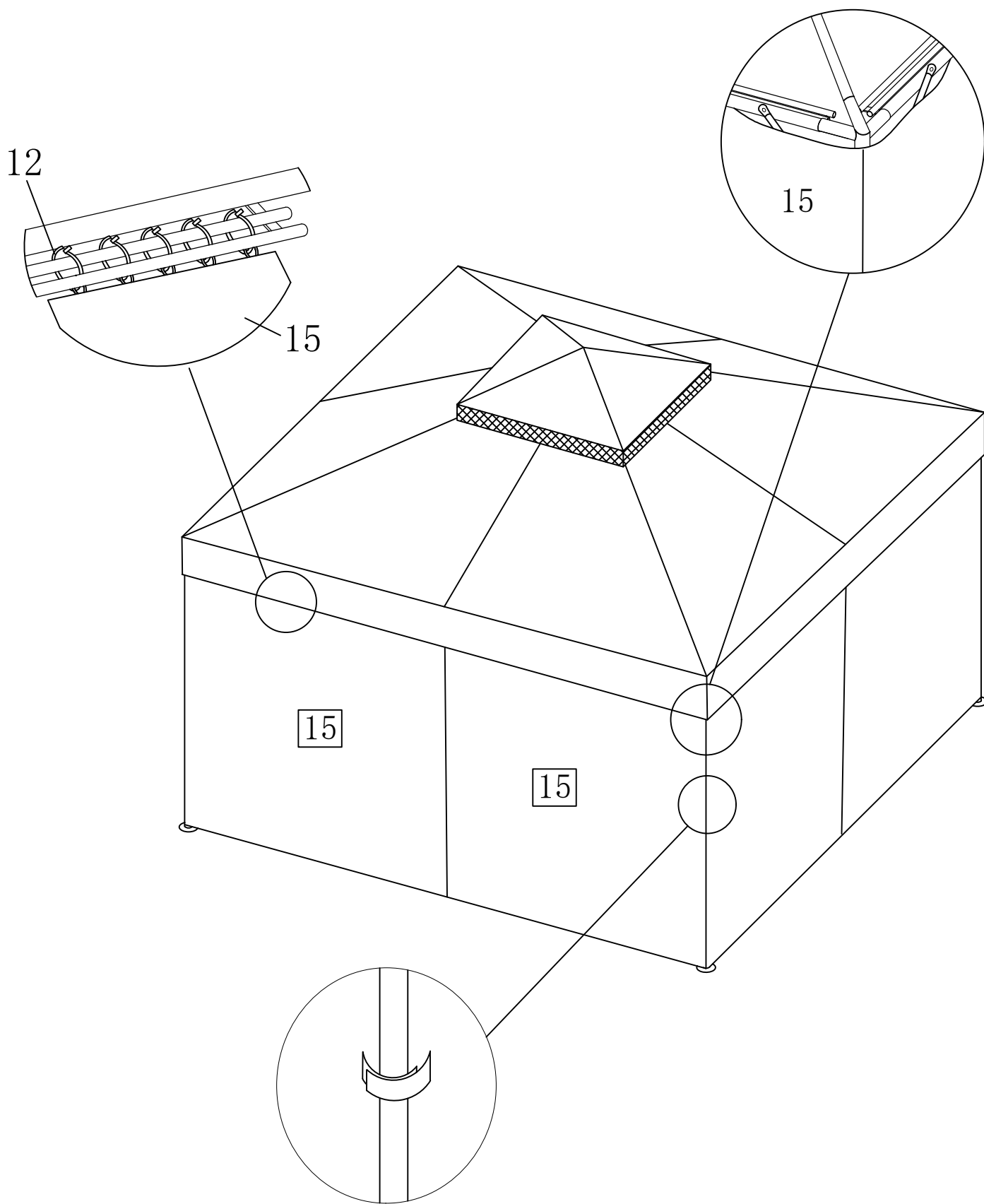
Lay Canopy Covers (2#) & (3#) sequentially on the fully assembled tent frame. Smooth the edges and pull down the four corners to secure.

2#		1
3#		1


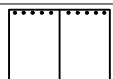
Pass Hanging Rings (12#) through the fabric loops of Side Curtain (14#), then fasten them to Crossbars (4#/5#). Tie the straps of Side Curtain (14#) to Legs (1#).

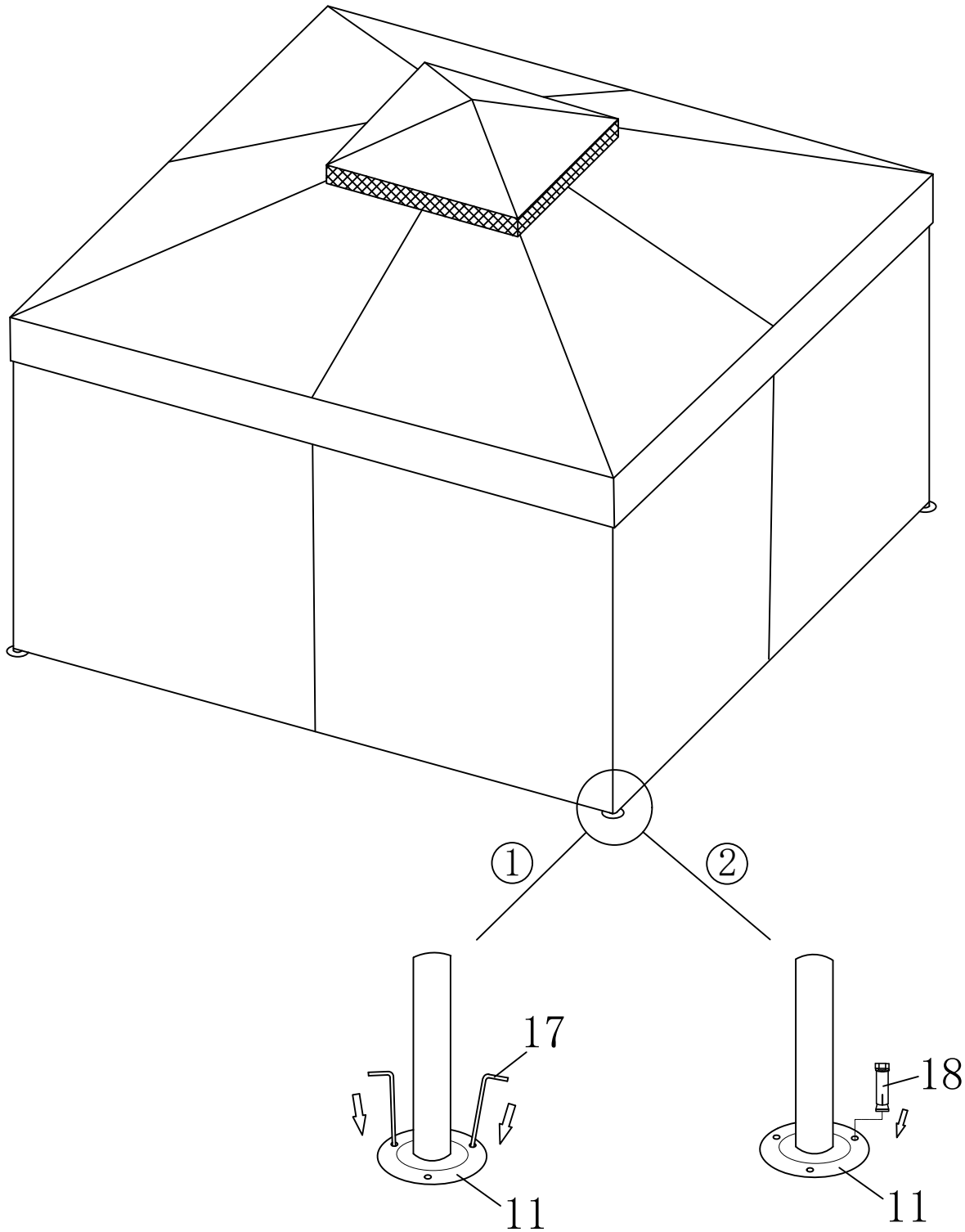


12#		40
14#		4



Pass Hanging Rings (12#) through the fabric loops of Side Curtain (15#), then fasten them to Crossbars (4#/5#).

12#		40
15#		4



Secure the Foot Plates (11#) with Ground Pegs (17#)
or Expansion Screws (18#).

17#		8
18#		4