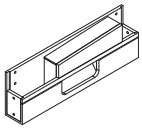
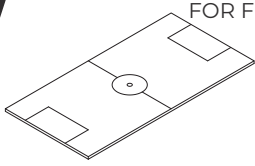
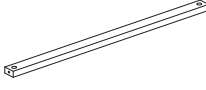


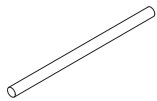
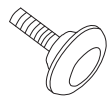


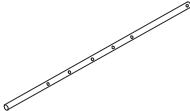
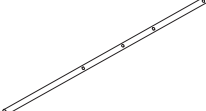
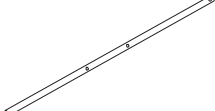

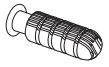


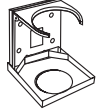
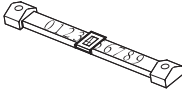






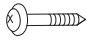
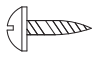
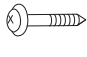
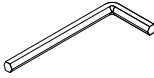
PARTS IDENTIFIER

PART NUMBER ——— 1 ——— FOR FIG. 1, 3 ——— FIG. NUMBER PART ——— PART NAME ——— Side Apron ——— QUANTITY x2			
2 FOR FIG. 1  x2 End Apron	3 FOR FIG. 2  x1 Soccer Playfield	4 FOR FIG. 4  x2 Support Brace	5 FOR FIG. 5  x2 Leg - A
6 FOR FIG. 5  x2 Leg - B	7 FOR FIG. 5  x2 Leg Panel	8 FOR FIG. 6  x4 Leg Leveler	9 FOR FIG. 7  x16 Rod Washer
10 FOR FIG. 7  x16 Rod Bumper	11 FOR FIG. 7  x2 5 - Hole Rod	12 FOR FIG. 7  x4 3 - Hole Rod	13 FOR FIG. 7  x2 2 - Hole Rod
14 FOR FIG. 8  x8 Rod End Cap	15 FOR FIG. 8  x8 Handle	16 FOR FIG. 7  x13 Player - Blue	17 FOR FIG. 7  x13 Player - Red
18 FOR FIG. 8  x2 Cup Holder	19 FOR FIG. 8  x2 Slide Scorer		

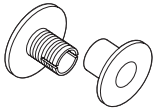
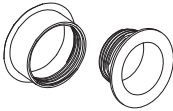
ACCESSORIES

20 FOR FIG. 9  x2 Soccer Ball
--

HARDWARE

<p>A1 FOR FIG. 1, 3, 6</p>  <p>x24</p>	<p>A2 FOR FIG. 1, 3, 6</p>  <p>x24</p>	<p>A3 FOR FIG. 4</p>  <p>x4</p>	<p>A4 FOR FIG. 7</p>  <p>x26</p>
<p>1/4"x1-1/8" Bolt</p>	<p>1/4" Washer</p>	<p>4x35mm Screw</p>	<p>3x18mm Screw</p>
<p>A5 FOR FIG. 8</p>  <p>x8</p>	<p>A6 FOR FIG. 8</p>  <p>x4</p>	<p>A7</p>  <p>x1</p>	
<p>4x12mm Screw</p>	<p>3x16mm Screw</p>	<p>Allen Key</p>	

PRE-INSTALLED PARTS

<p>P1 FOR FIG. 1, 3</p>  <p>x16</p>	<p>P2 FOR FIG. 1, 3</p>  <p>x2</p>
<p>Plastic Rod Bushing</p>	<p>Plastic Ball Entry Rim</p>

BEFORE ASSEMBLY

1. Find a clean, level place to begin the assembly of your product.
2. Verify that you have all listed parts as shown on the part list pages.

ASSEMBLY

FIG. 1

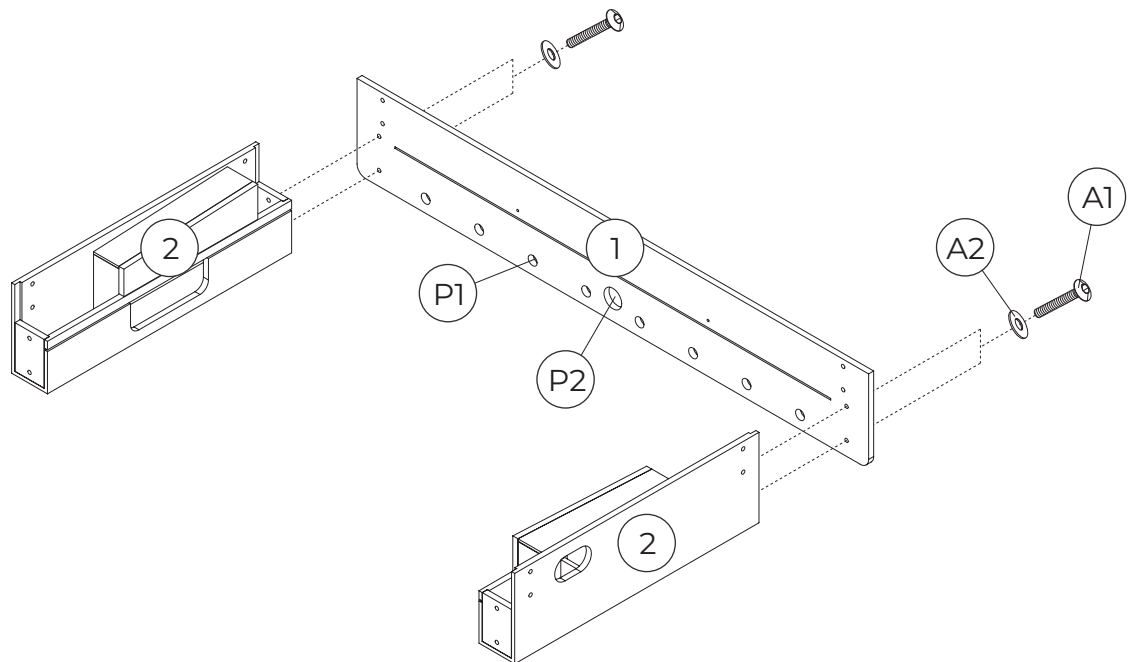
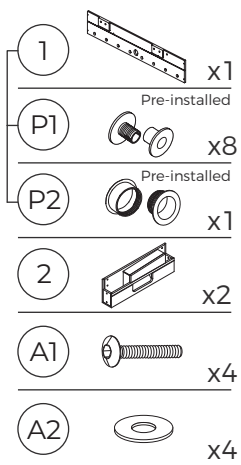
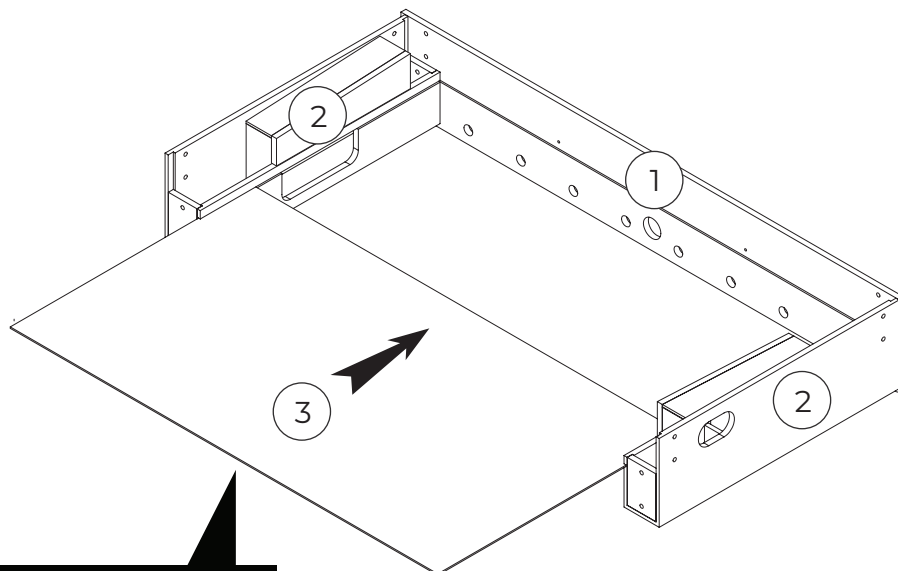
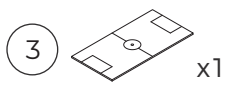


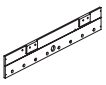


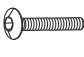

FIG. 2



Note: Playfield graphic should face down when assembling.

ASSEMBLY

FIG. 3

- 1  x1
- P1  x8
Pre-installed
- P2  x1
Pre-installed
- A1  x4
- A2  x4

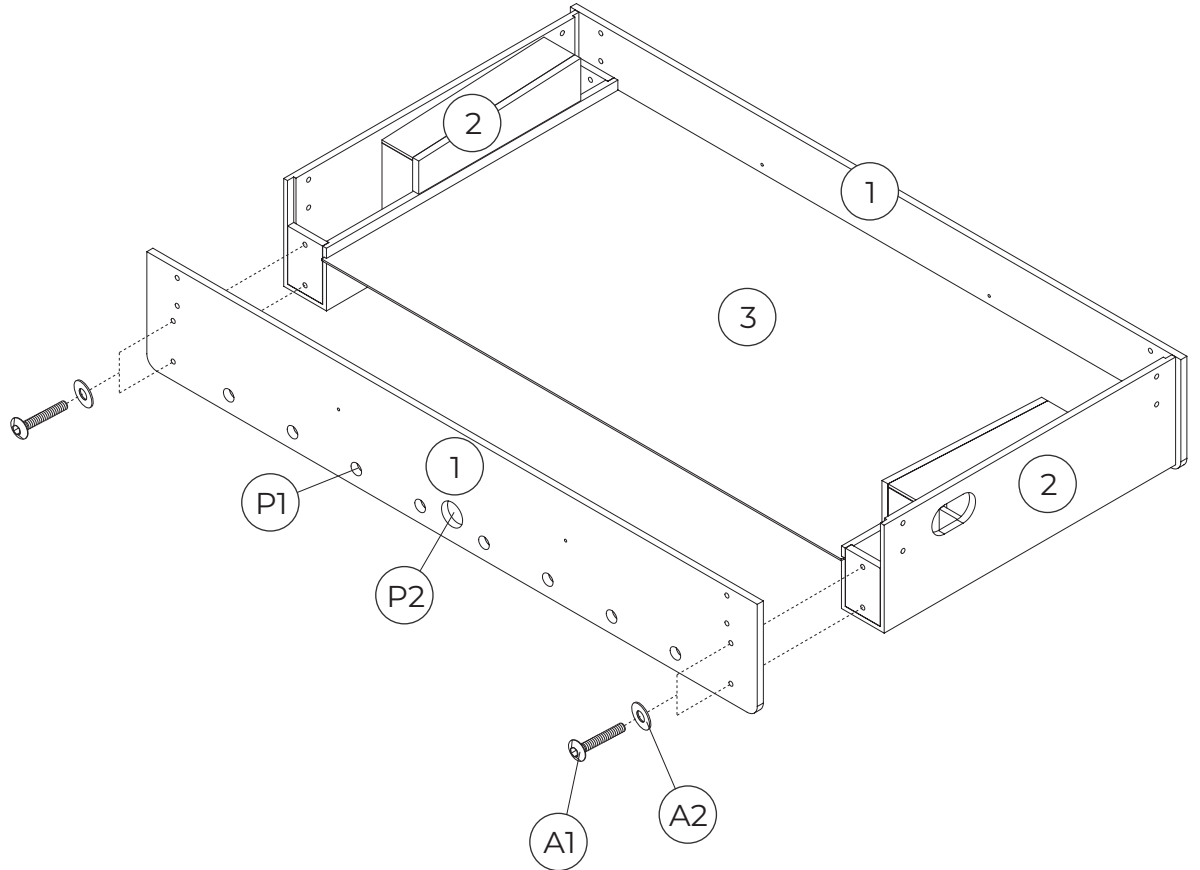


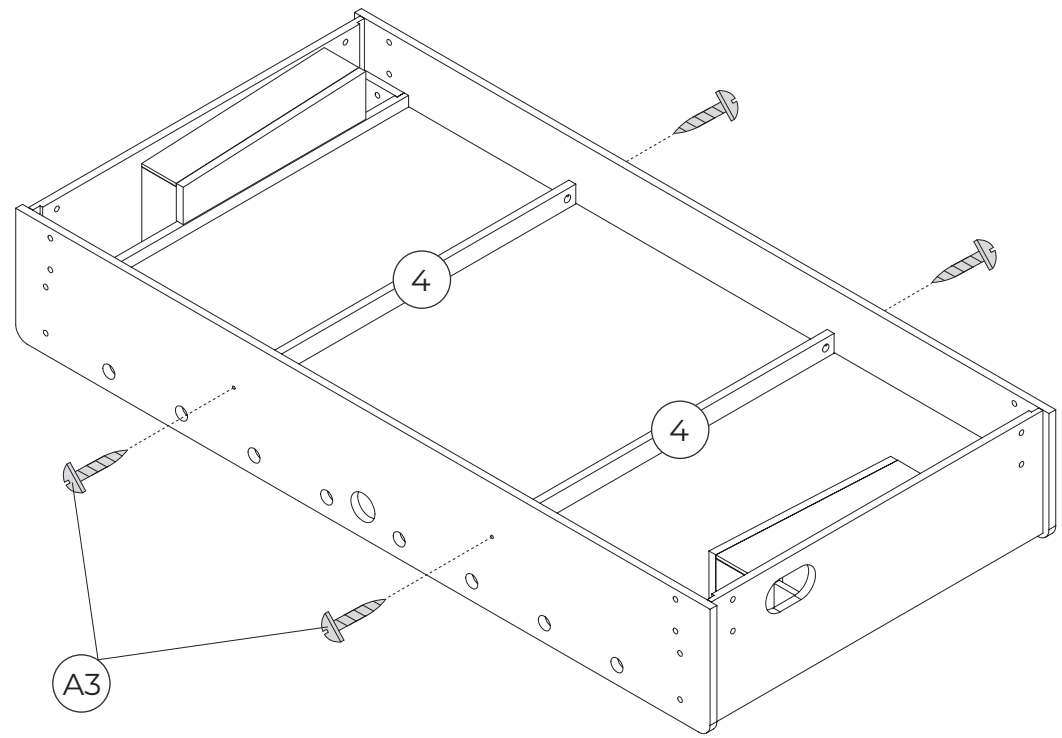


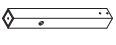
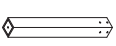

FIG. 4

- 4  x2
- A3  x4



ASSEMBLY

FIG. 5

- 5  x2
- 6  x2
- 7  x2

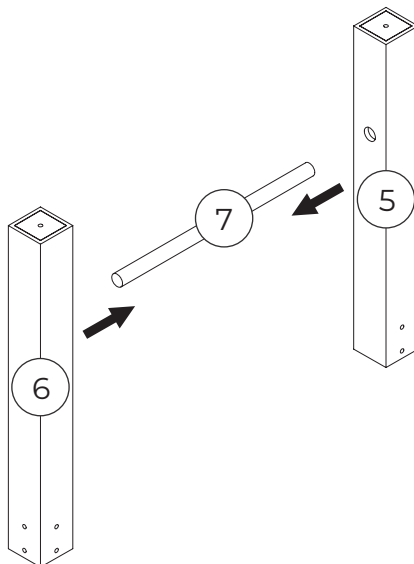

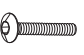

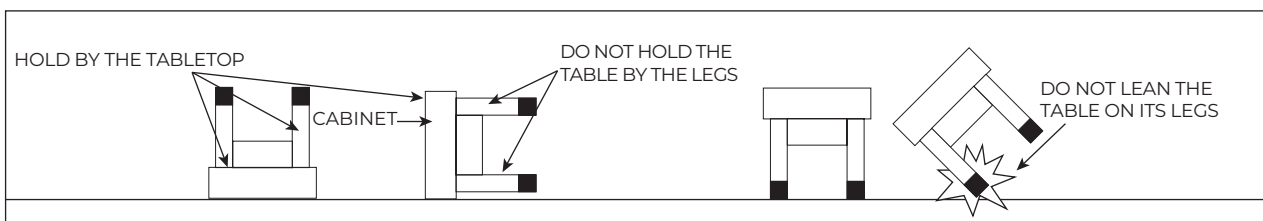
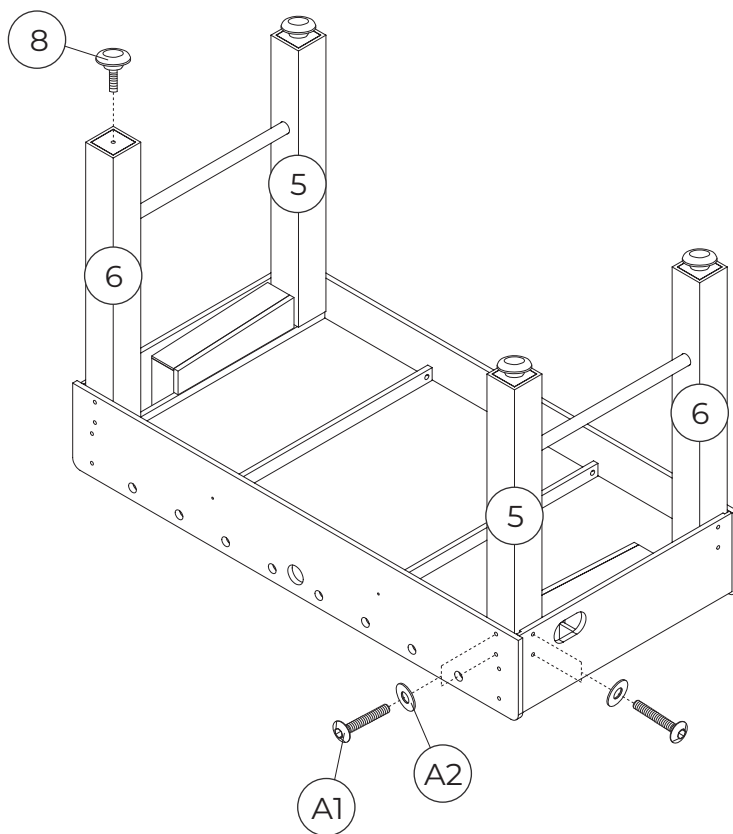


FIG. 6

- 8  x4
- A1  x16
- A2  x16








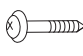


⚠ CAUTION

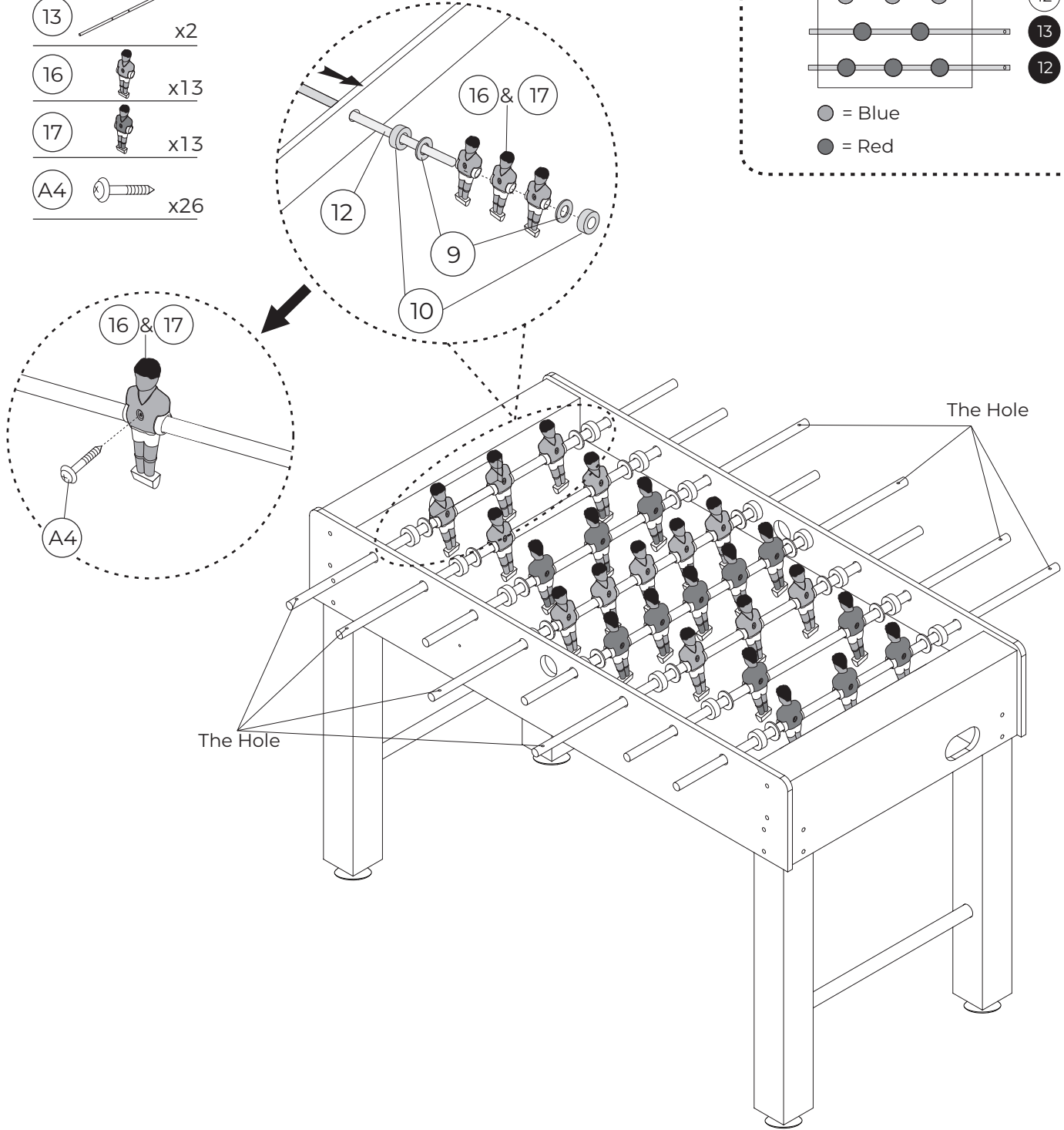
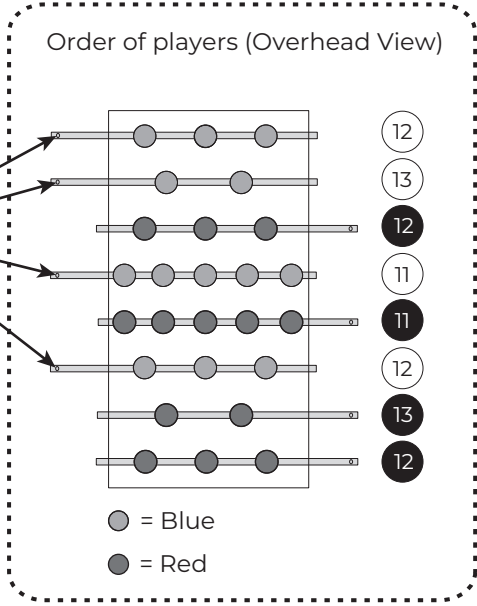
- Two strong adults are recommended to turn over the table as shown.
1. Lift the table off the ground.
 2. Turn the table over.
 3. Place it on all four feet at the same time on the ground.

ASSEMBLY

FIG. 7


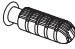

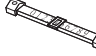


- 9  x16
- 10  x16
- 11  x2
- 12  x4
- 13  x2
- 16  x13
- 17  x13
- A4  x26

Note: The Rods have a hole at the end where their Handles will go.



ASSEMBLY

FIG. 8

- 14  x8
- 15  x8
- 18  x2
- 19  x2
- A5  x8
- A6  x4

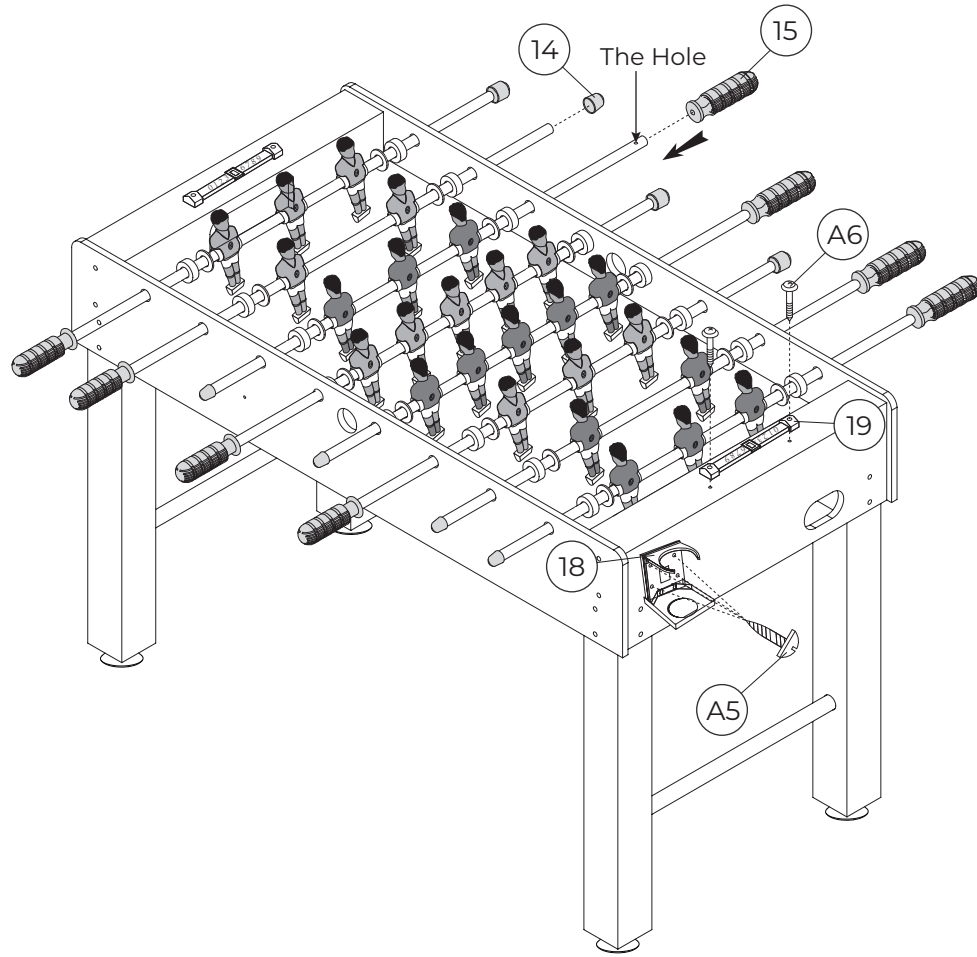


FIG. 9

- 20  x2

