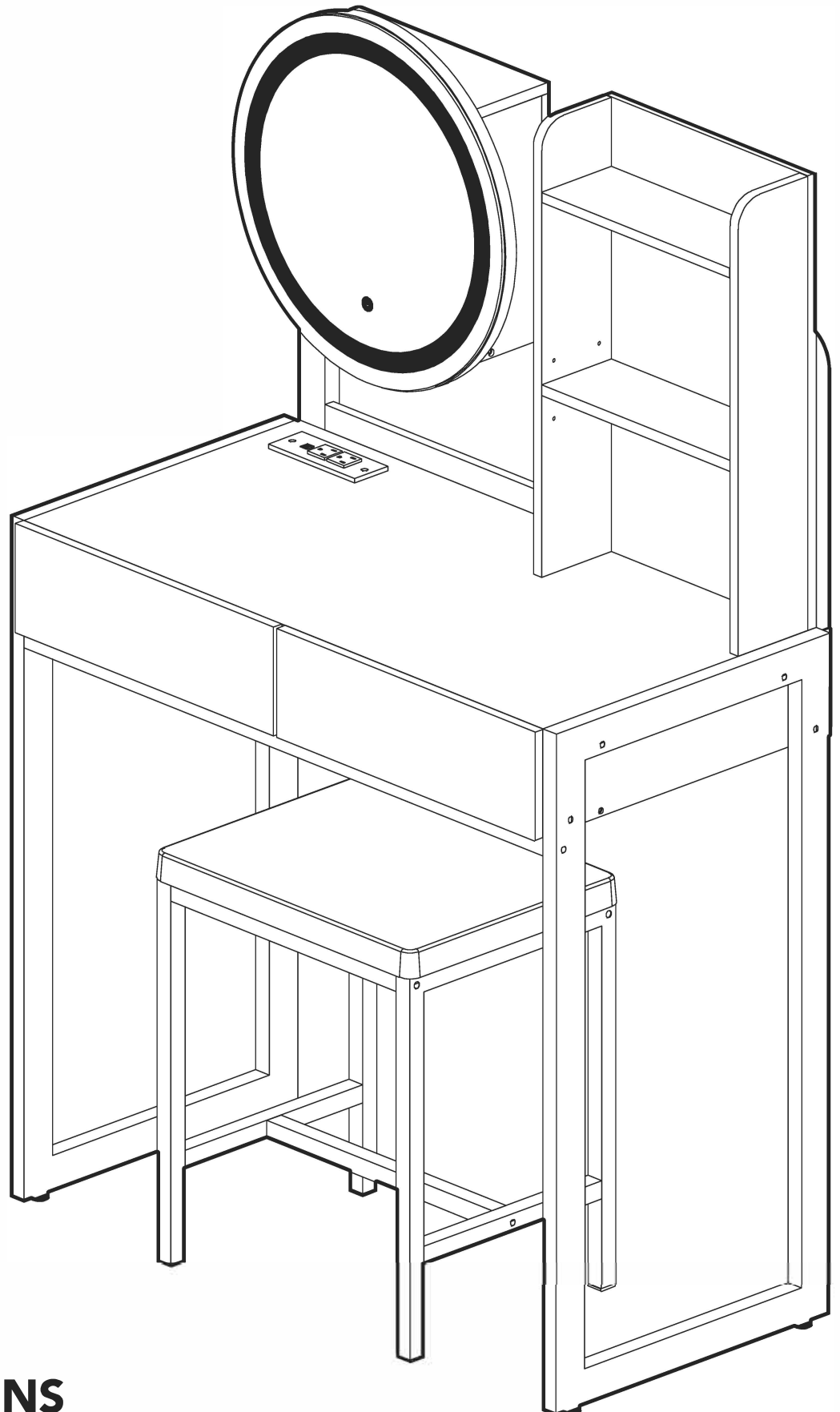


# MAKEUP VANITY DESK



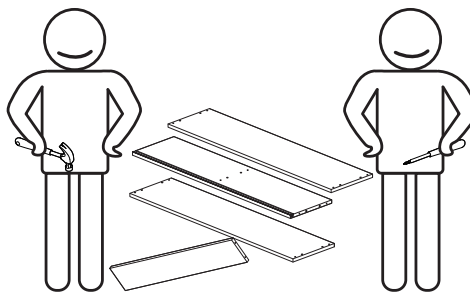
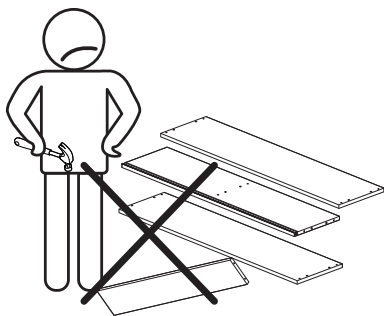
**ASSEMBLY  
INSTRUCTIONS**



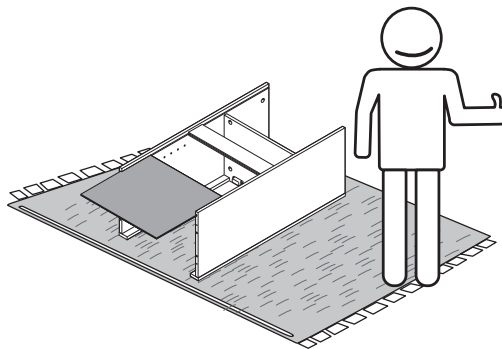
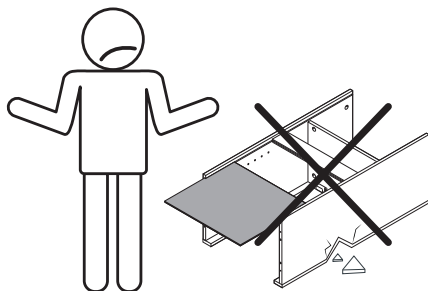
## WARNING

**Children have died from furniture tip-over. To reduce the risk of furniture tip-over:**

- ALWAYS install tip-over restraint provided.
- NEVER put a TV on this product.
- NEVER allow children to stand, climb or hang on drawers, doors, or shelves.
- NEVER open more than one drawer at a time.
- Place heaviest items in the lowest drawer.

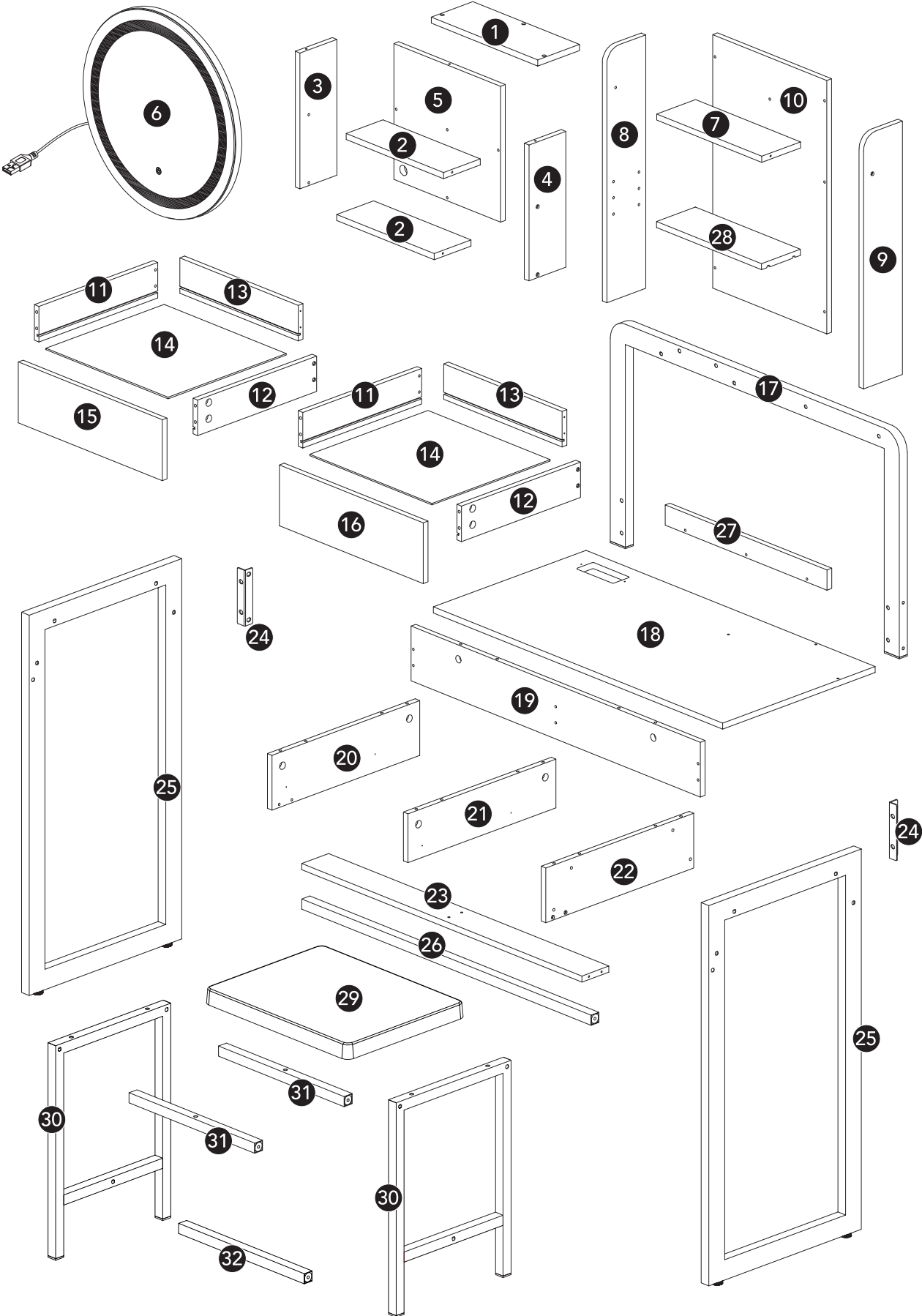


**We recommend at least 2 people for the assembly.**



**To prevent any damage during assembly, place a mat under the pieces.**

# PARTS DIAGRAM



# HARDWARE KIT



The plus numbers are the additional parts provided in case of missing or damaged ones.



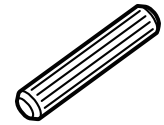
M6\*30mm  
**A x26+2**



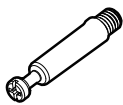
M6\*12mm  
**B x8**



φ5\*40mm  
**C x38+3**



φ6\*30mm  
**D x8**



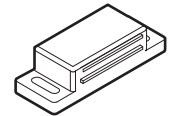
φ6\*35mm  
**E x16+1**



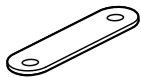
φ15\*10mm  
**F x16+1**



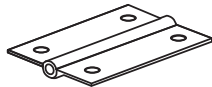
φ4\*30mm  
**G x8**



41\*16\*13mm  
**H x1**



45\*12\*1.0mm  
**J x1**



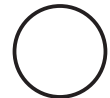
50\*36mm  
**K x2**



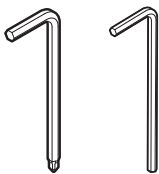
φ3\*12mm  
**L x32+3**



**M x2**

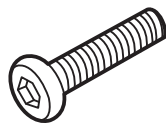


**N x24**



4mm 3mm

**P x1**



M6\*35mm

**Q x6**



φ16\*φ6.8\*1.0mm

**R x6**



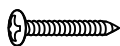
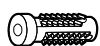
φ10.5\*φ6.5\*2.0mm

**S x6**

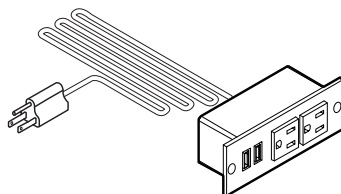


φ5\*φ7\*16mm

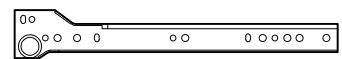
**T x4**



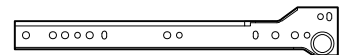
**U x1**



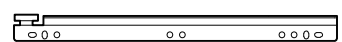
**V x1**



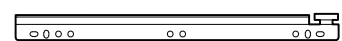
**CL x2**



**CR x2**



**DL x2**

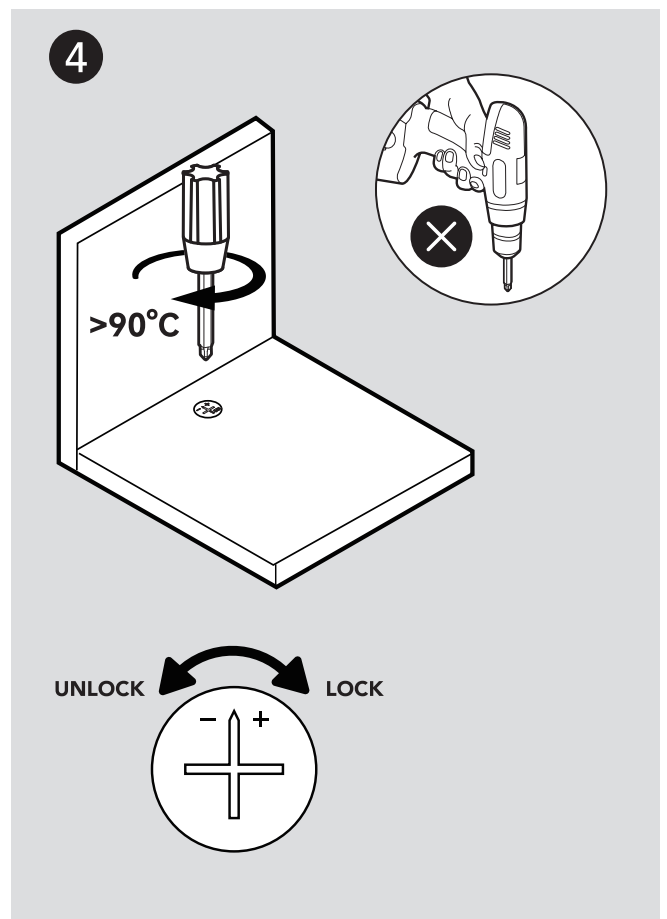
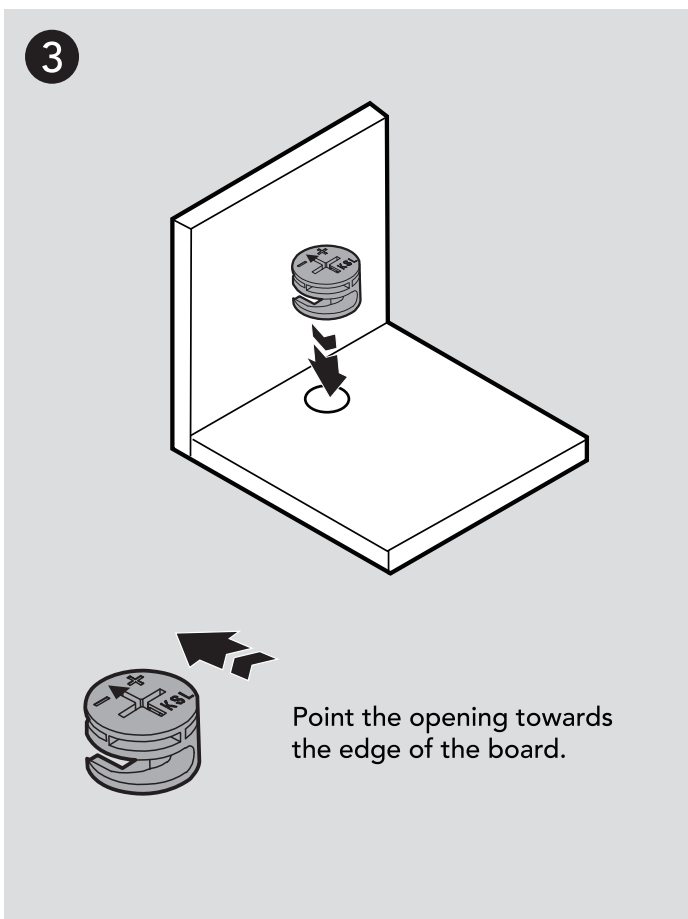
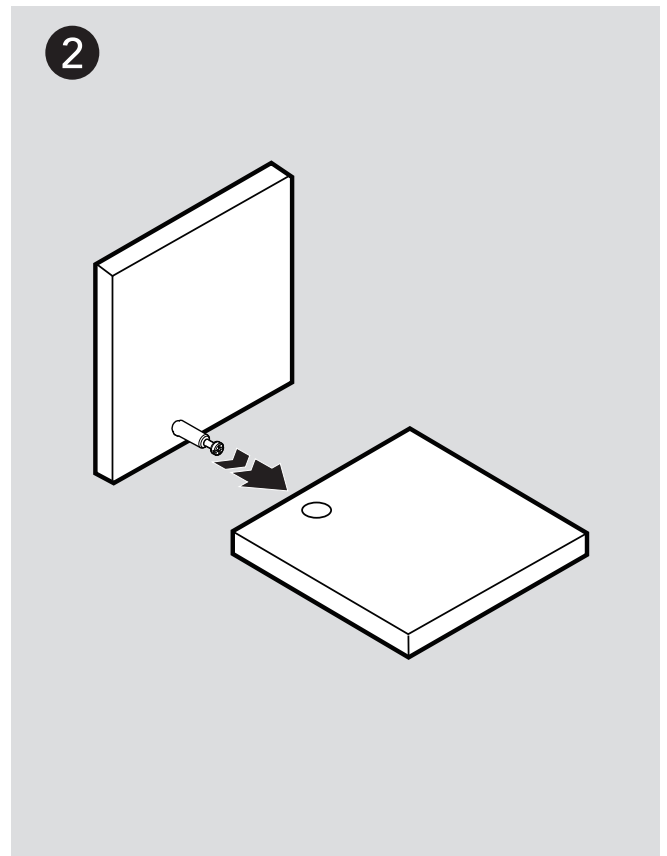
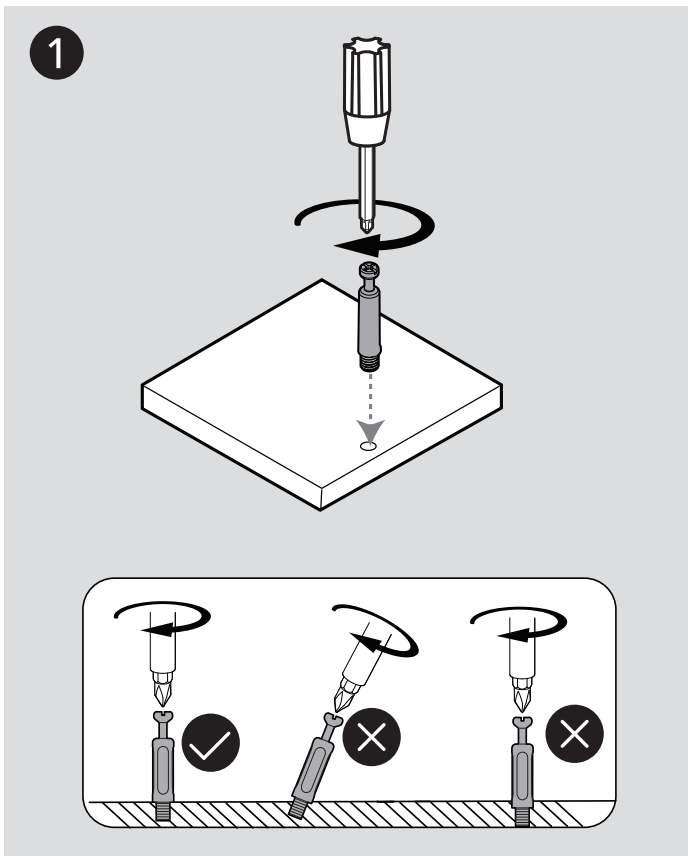


**DR x2**

# CAM LOCK FASTEN SYSTEM



Insert the cam bolt into the hole, then insert the cam lock and tighten.



# ASSEMBLY

01

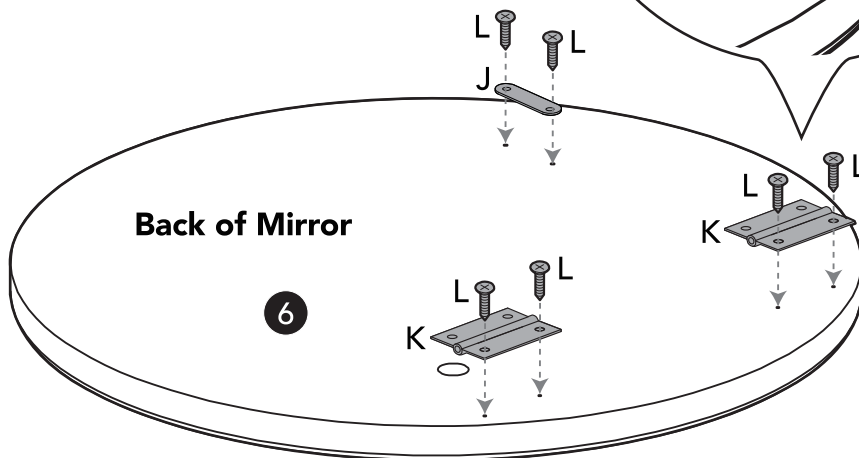
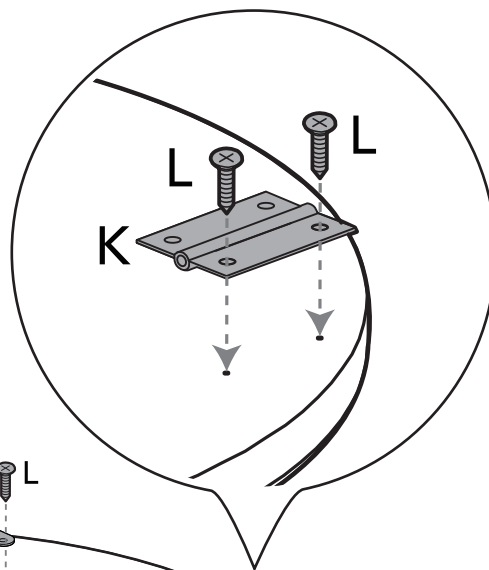
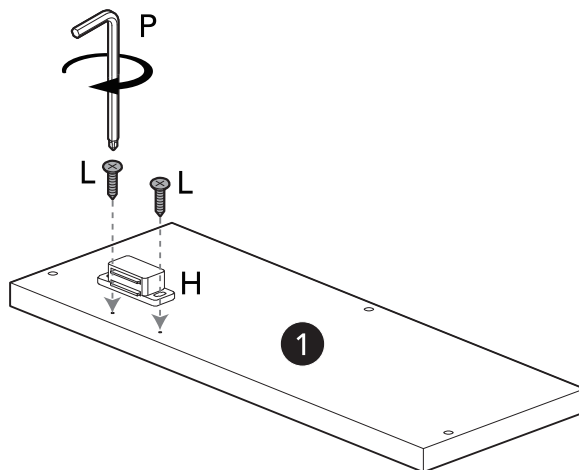
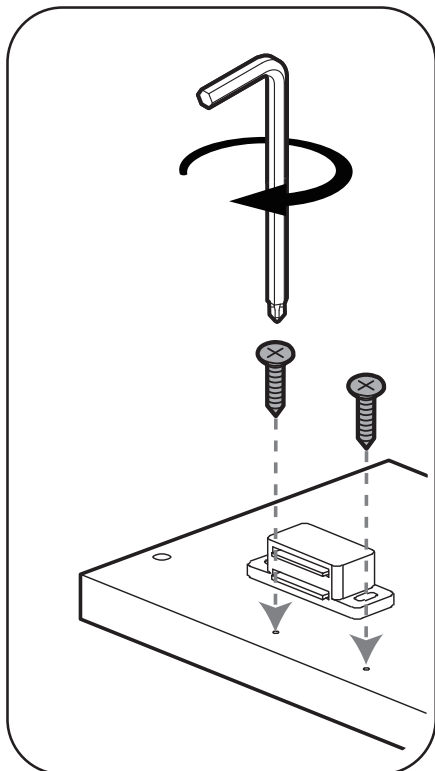
L x8

K x2

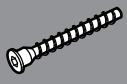
J x1

H x1

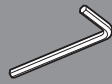
P x1



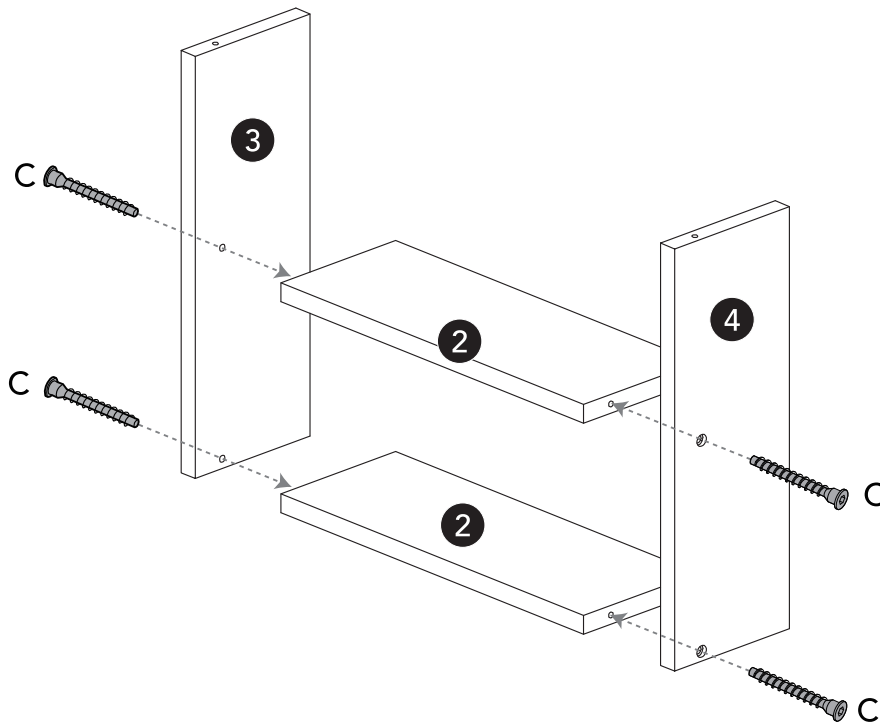
**02**



C x4



P x1



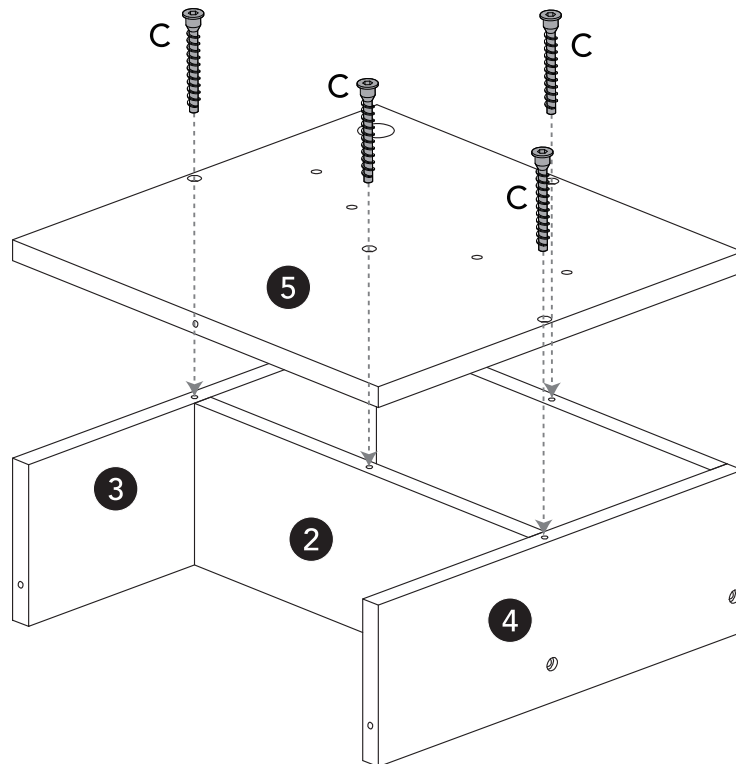
**03**



C x4



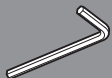
P x1



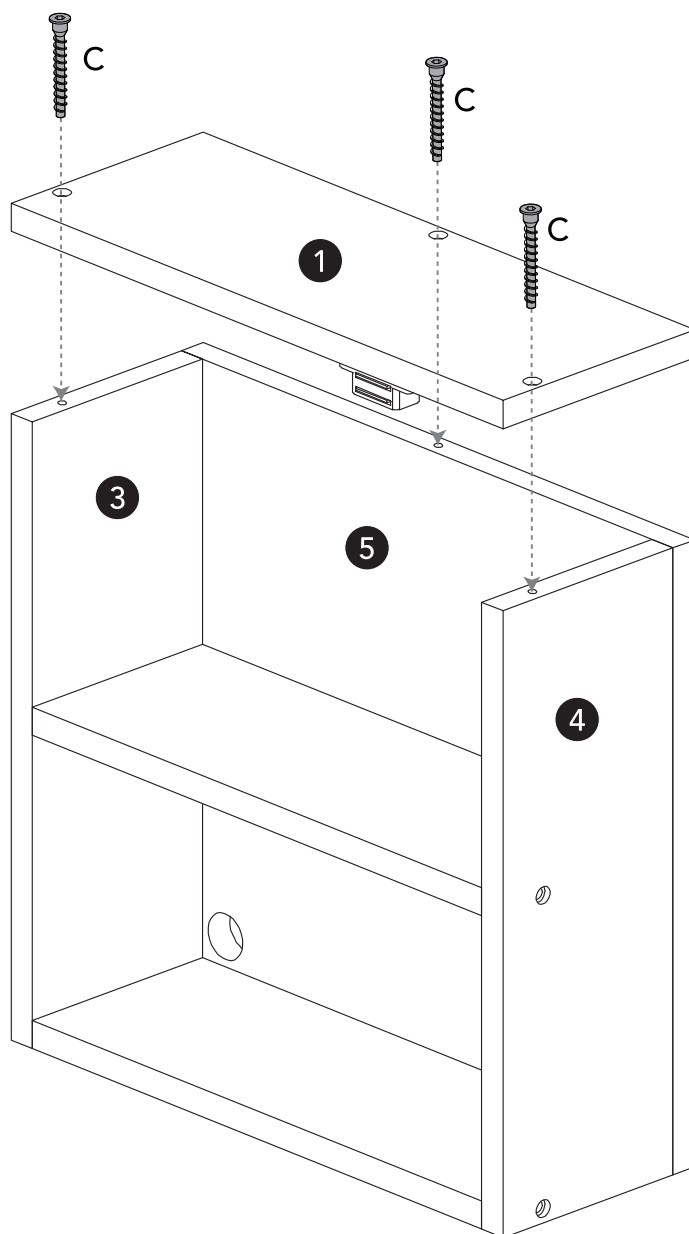
05



C x3



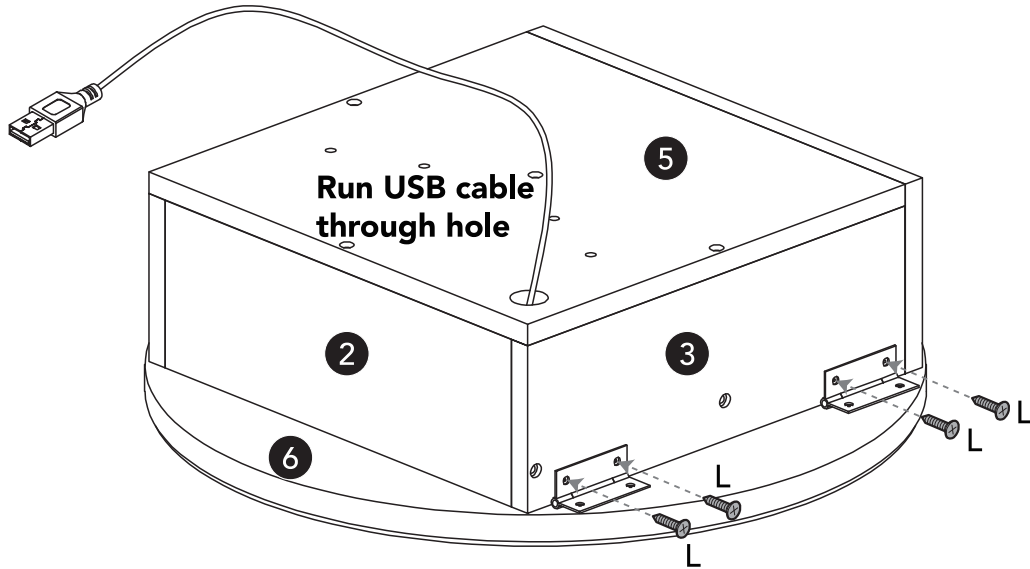
P x1



05

L x4

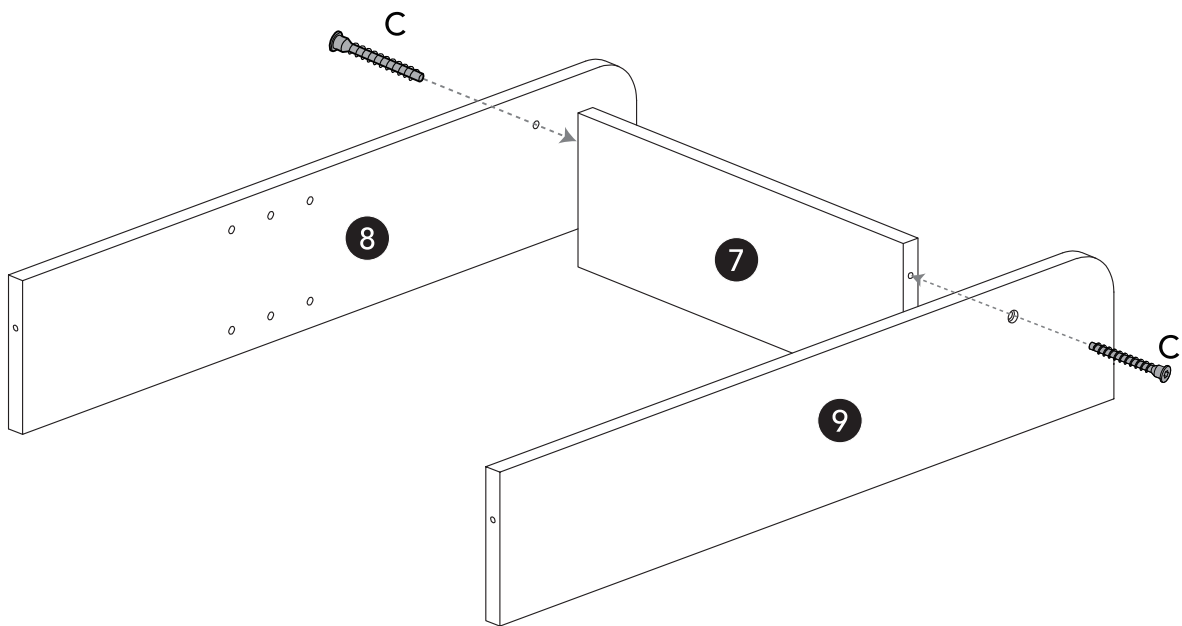
P x1



06

C x2

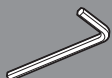
P x1



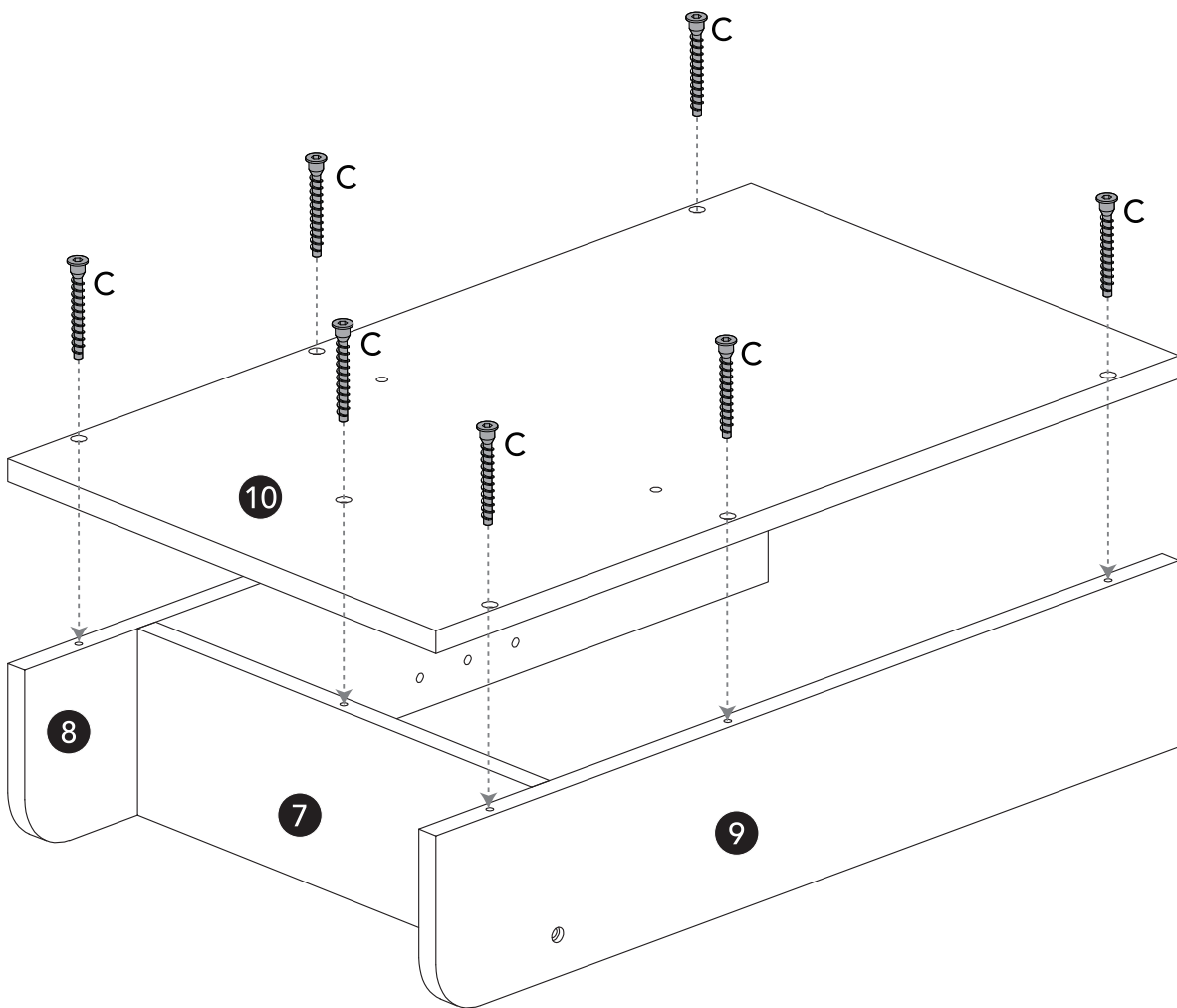
07



C x7



P x1



08

L x8

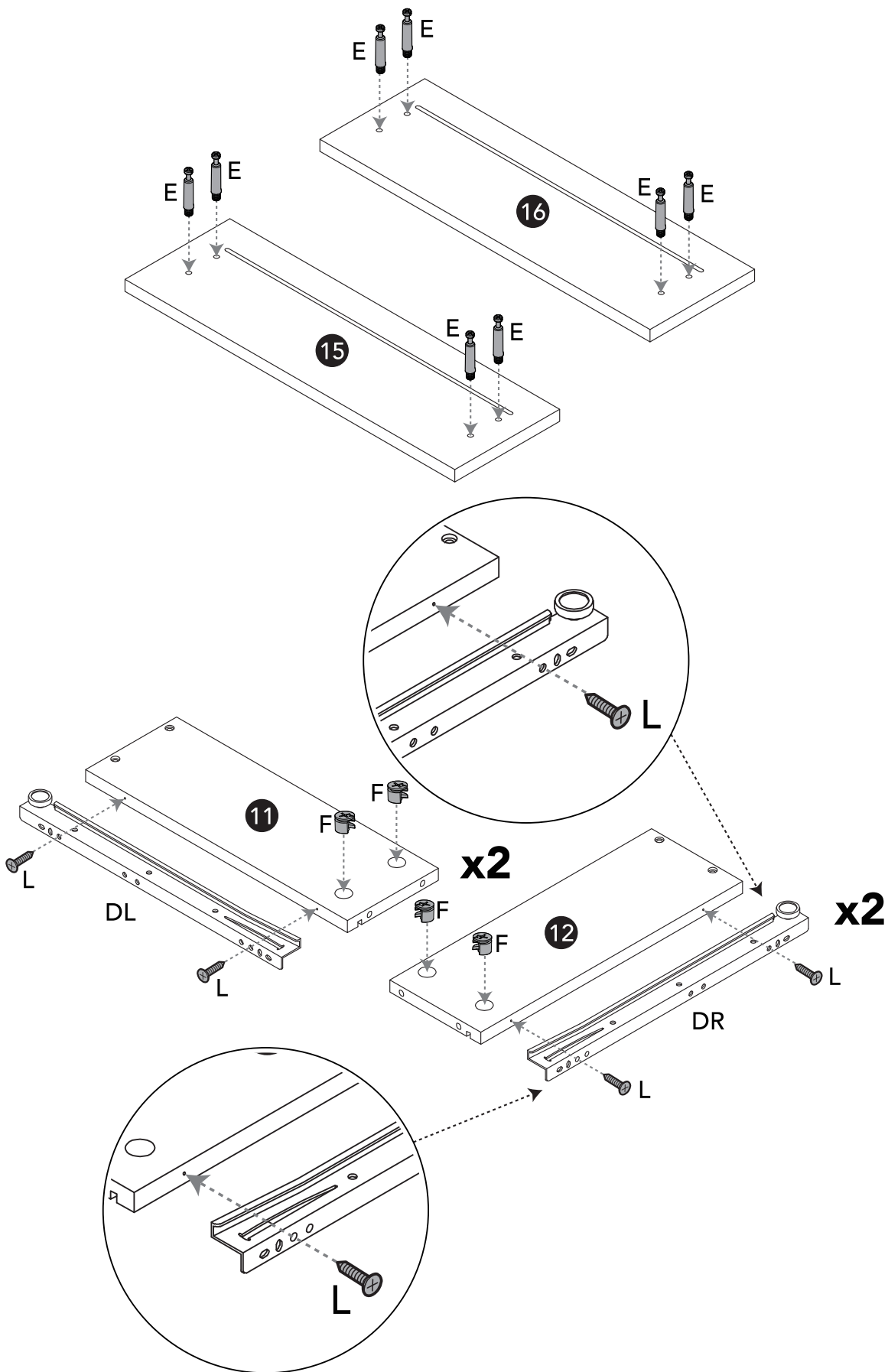
E x8

F x8

DL x2

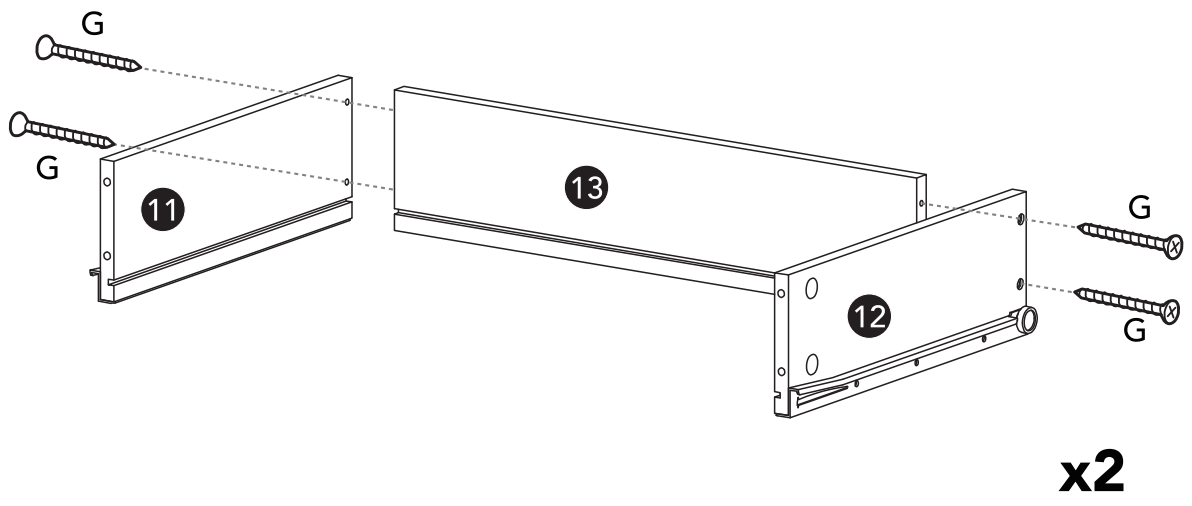
DR x2

P x1

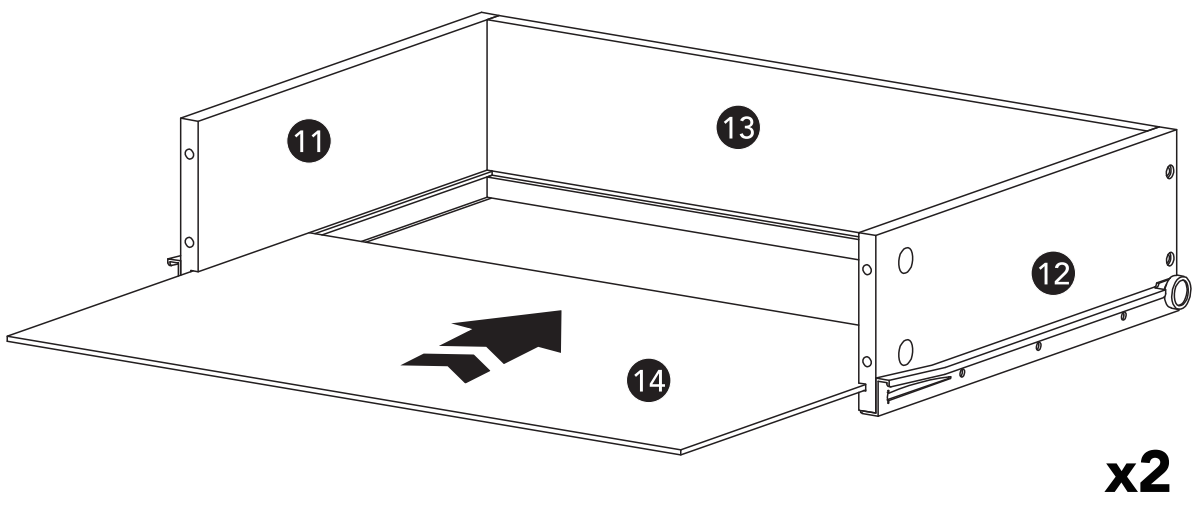


**09**

 G x8  P x1

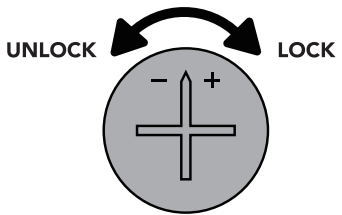
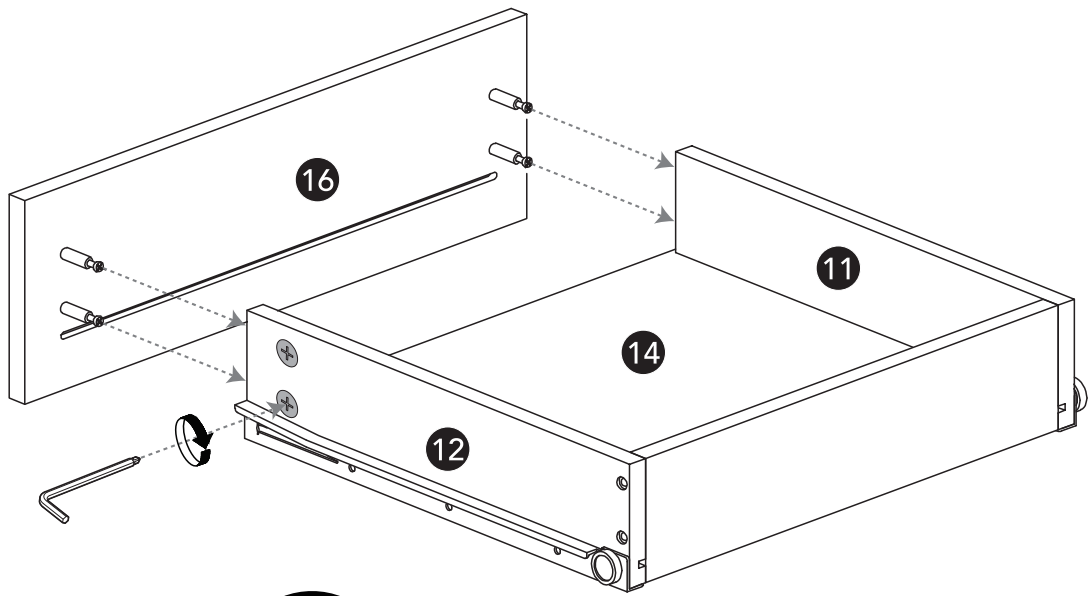
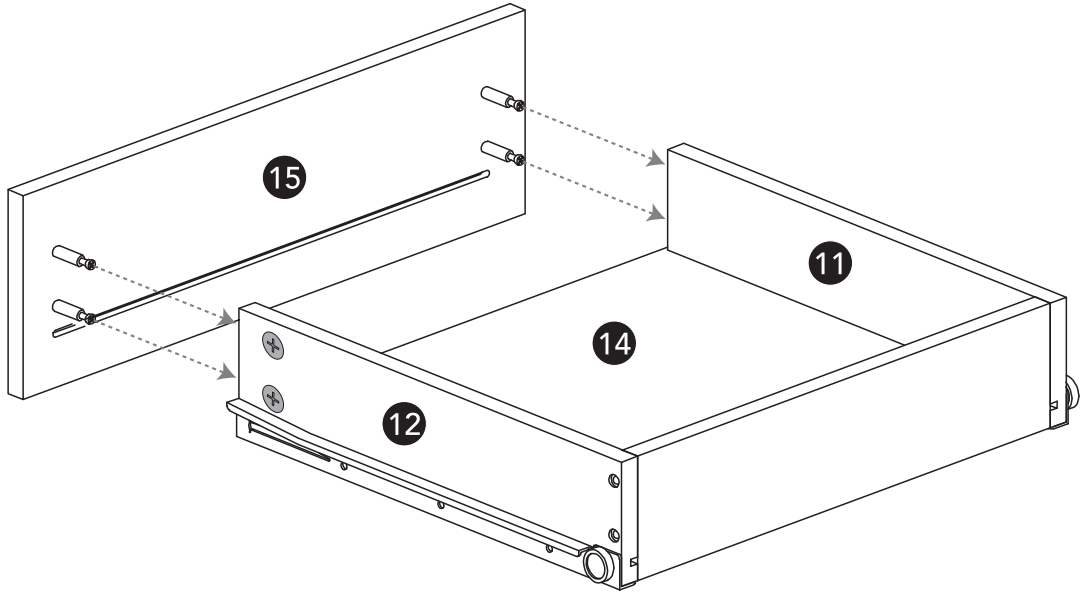


**10**



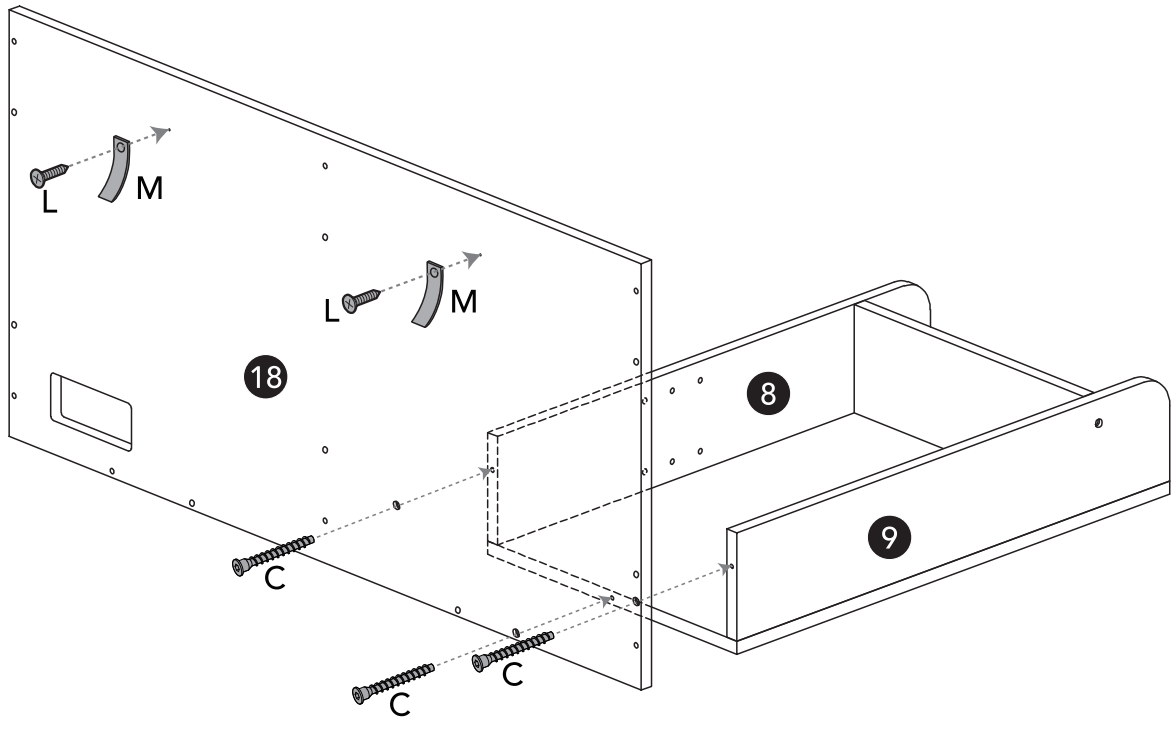
11

P x1



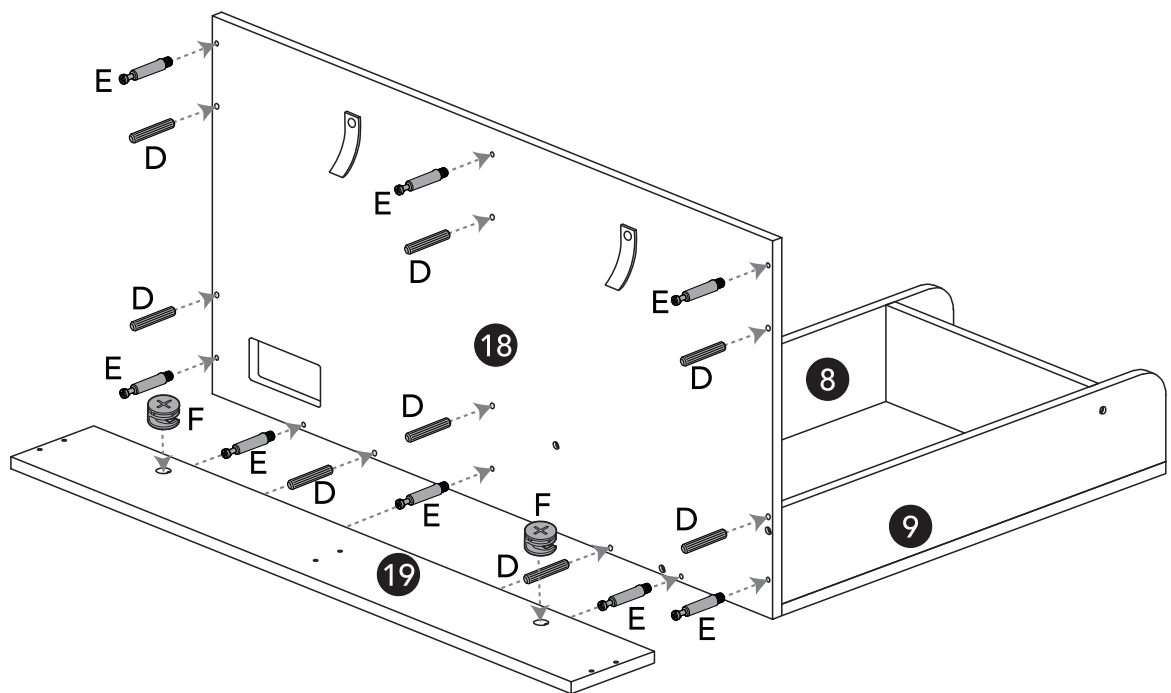
12

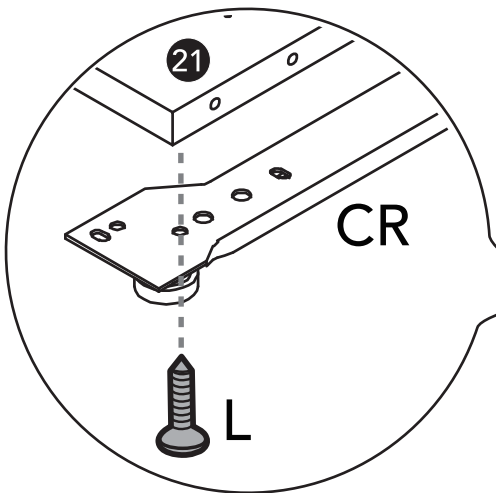
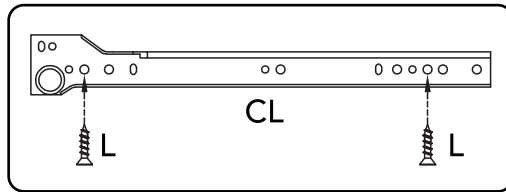
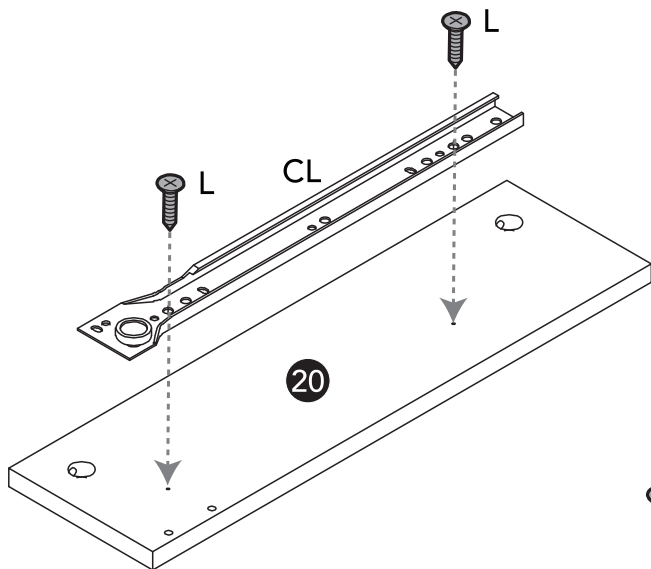
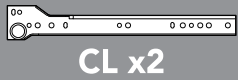
- C x3
- L x2
- M x2
- P x1



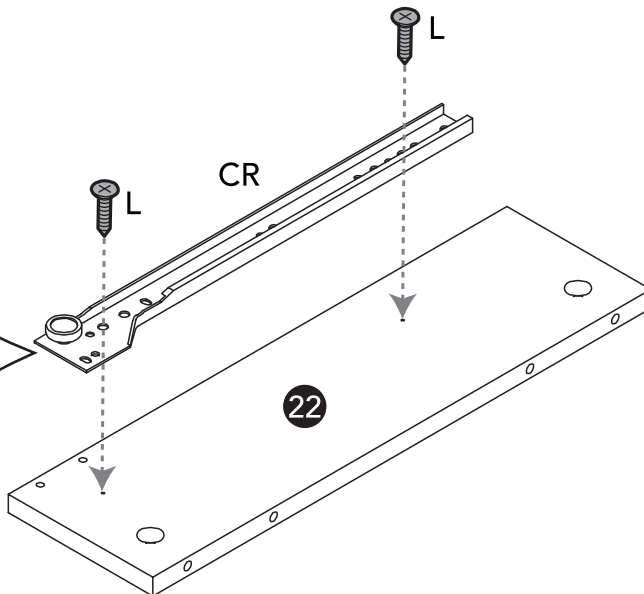
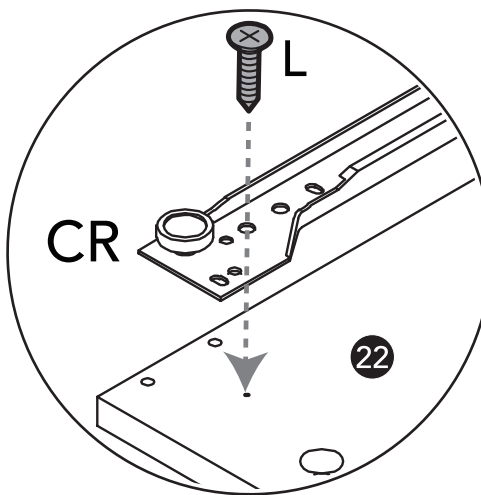
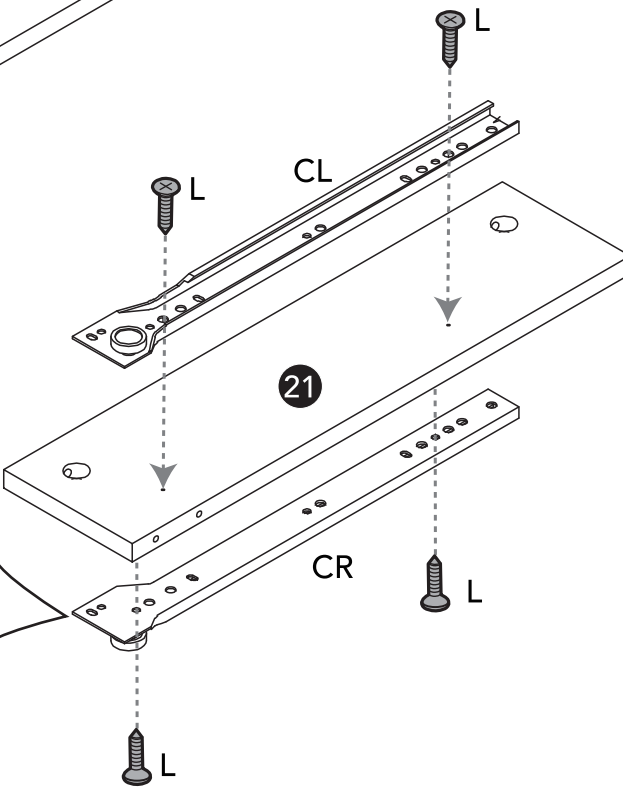
13

- D x8
- E x8
- F x2
- P x1





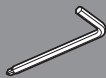
Stagger mounting holes for CR



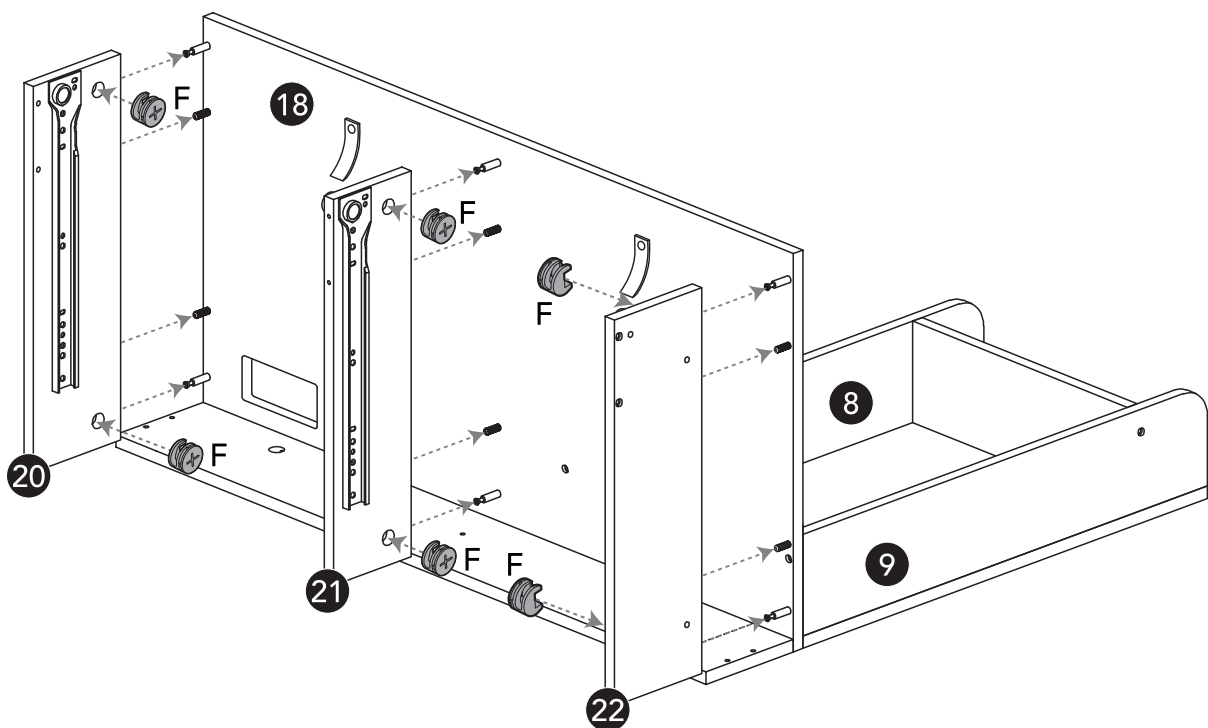
15



F x6



P x1



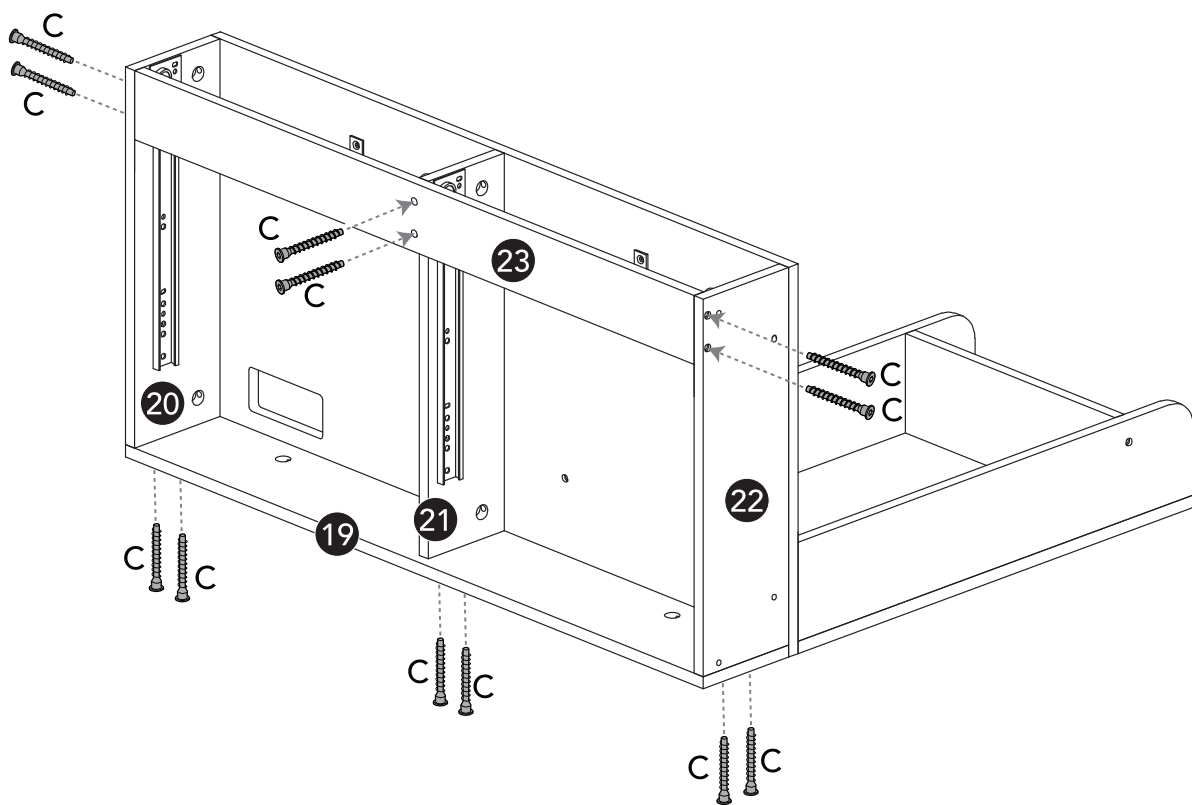
16



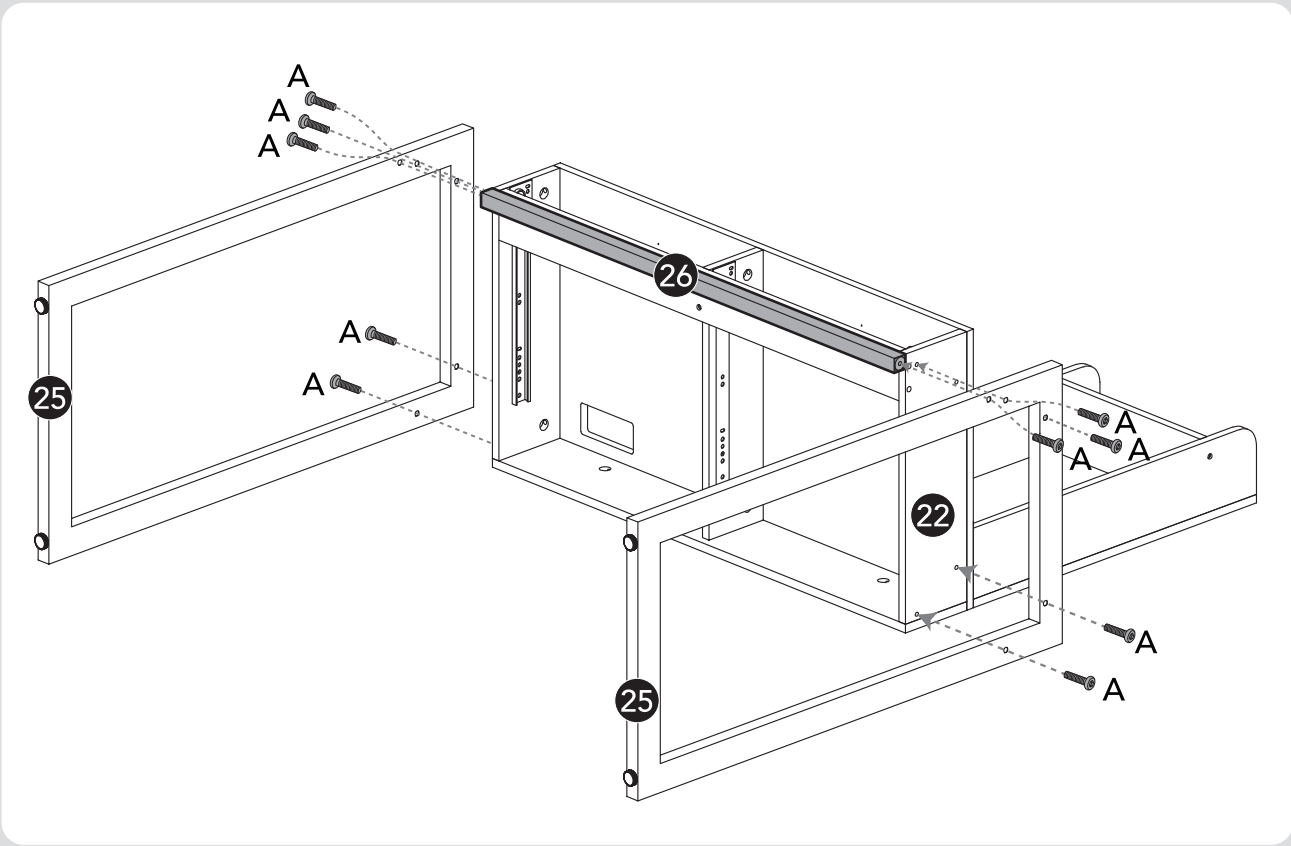
C x12



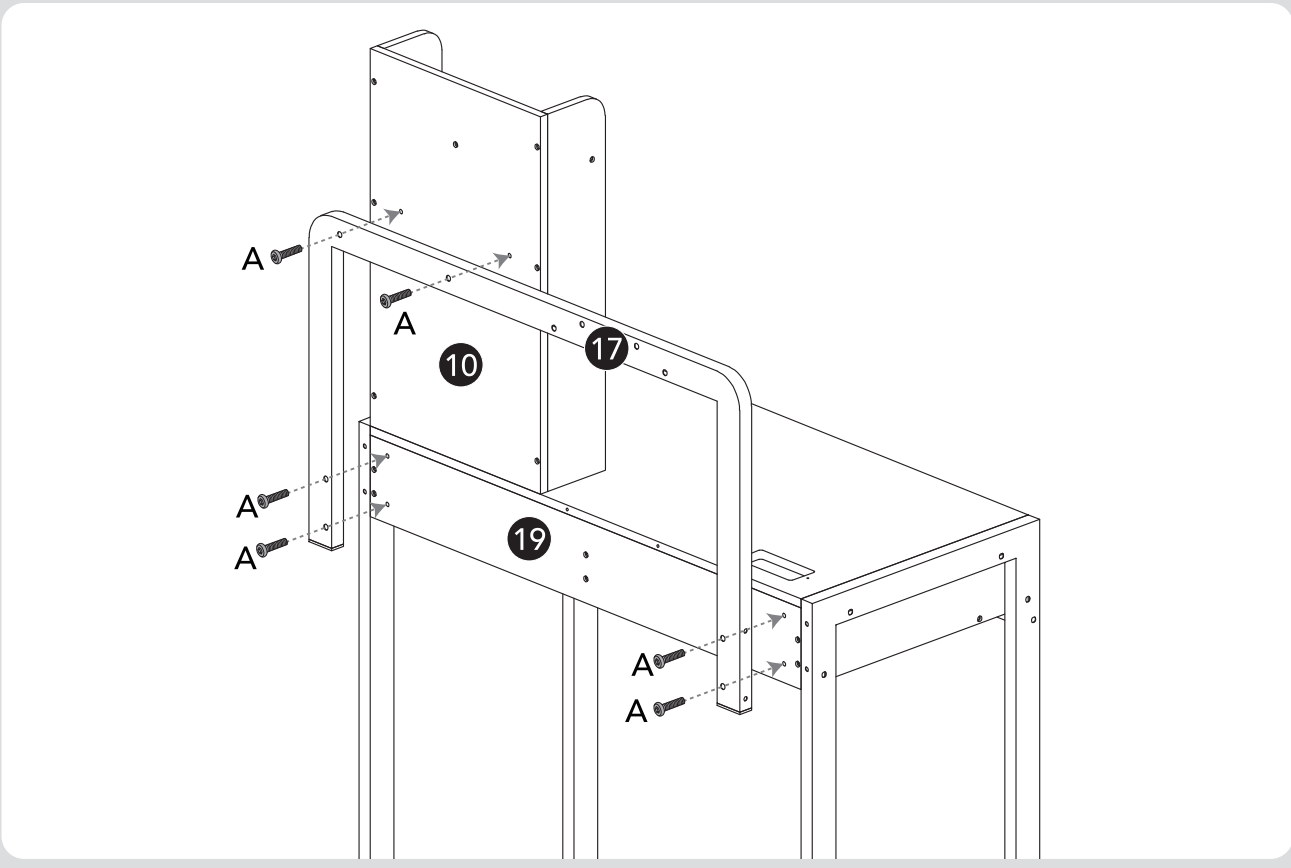
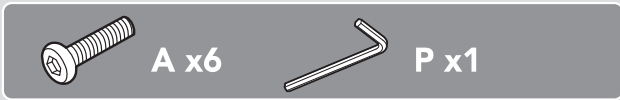
P x1



17



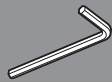
18



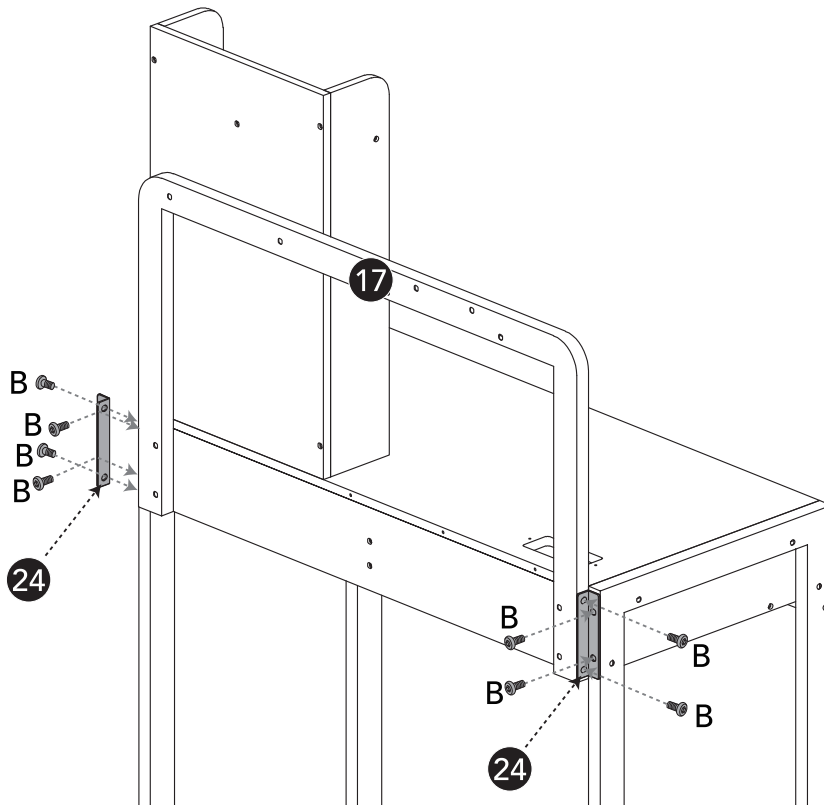
19



B x 8



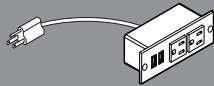
P x 1



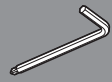
20



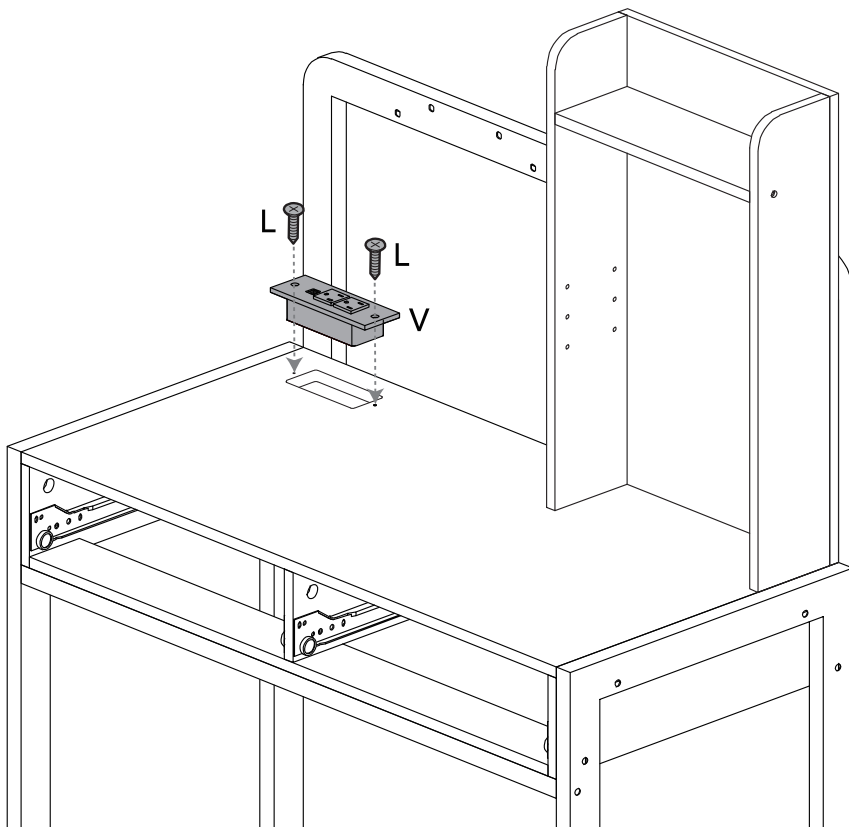
L x 2



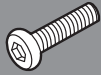
V x 1



P x 1



21



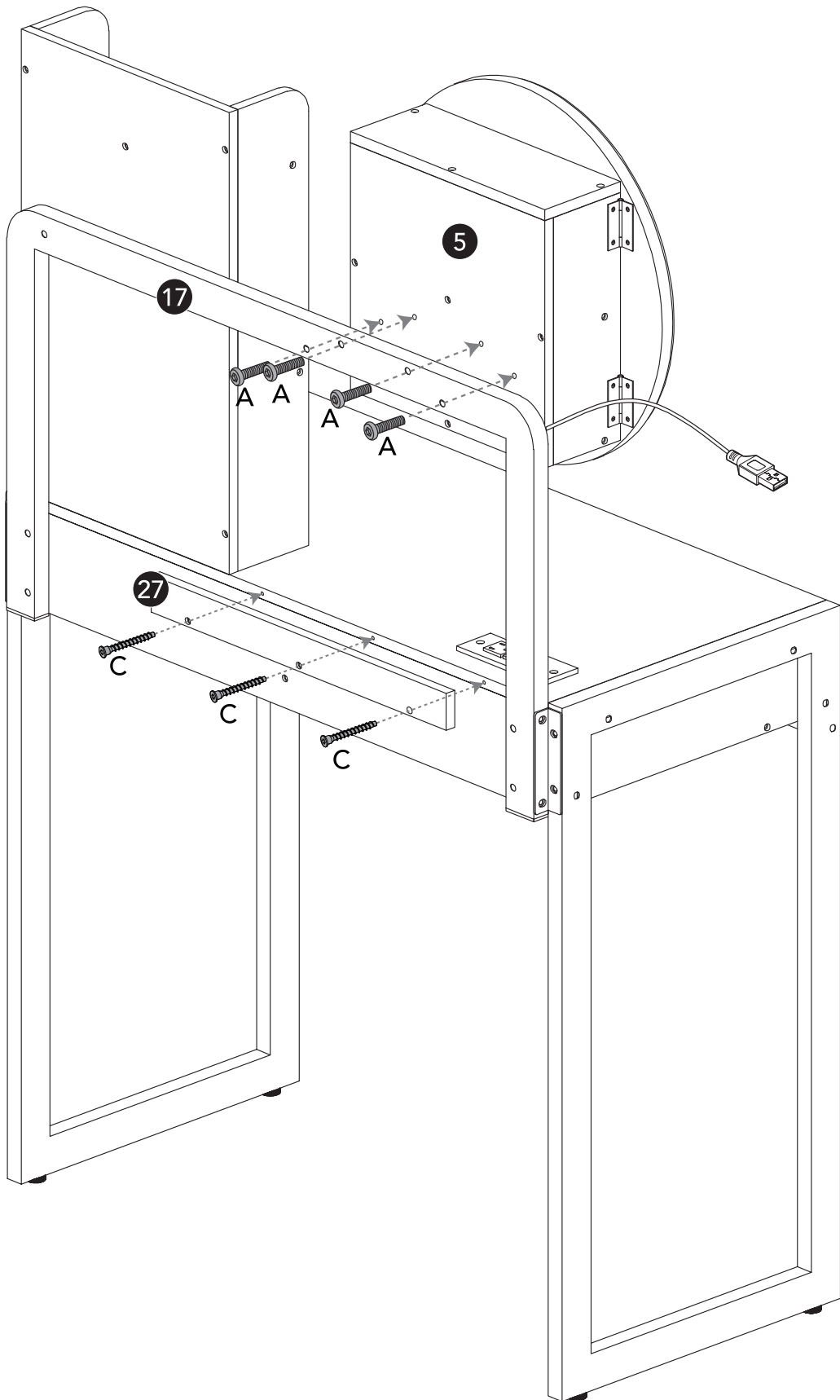
A x4

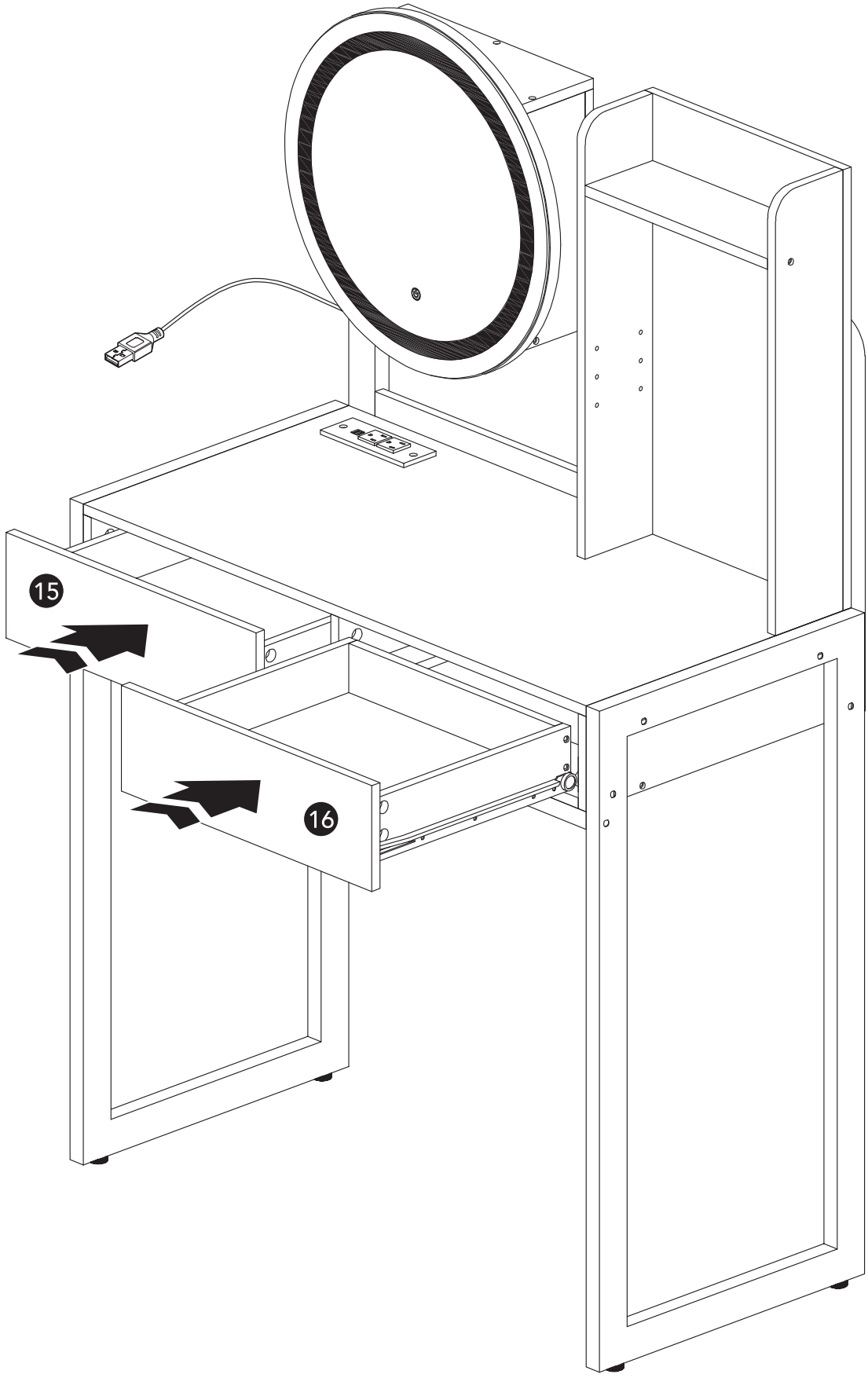


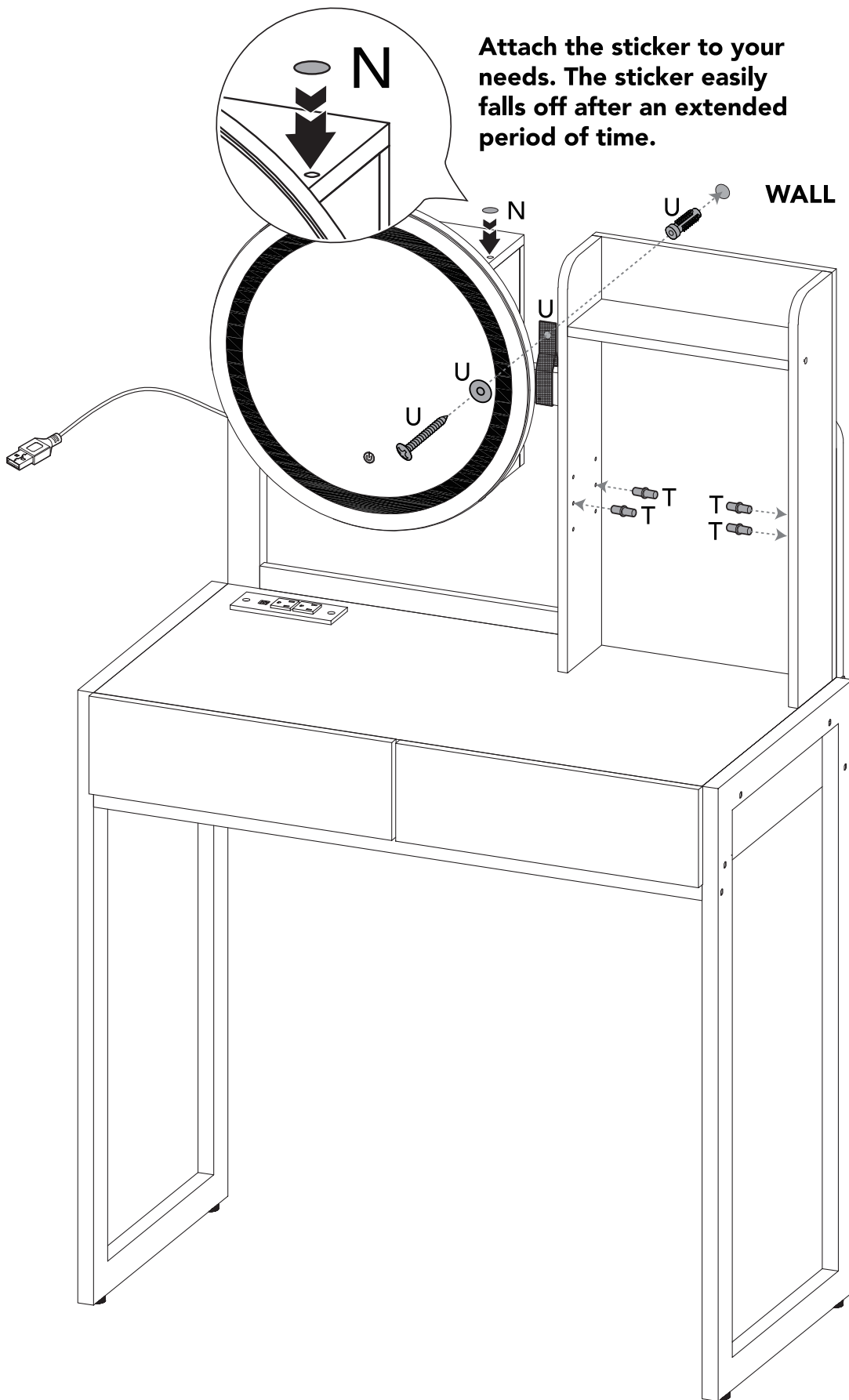
C x3



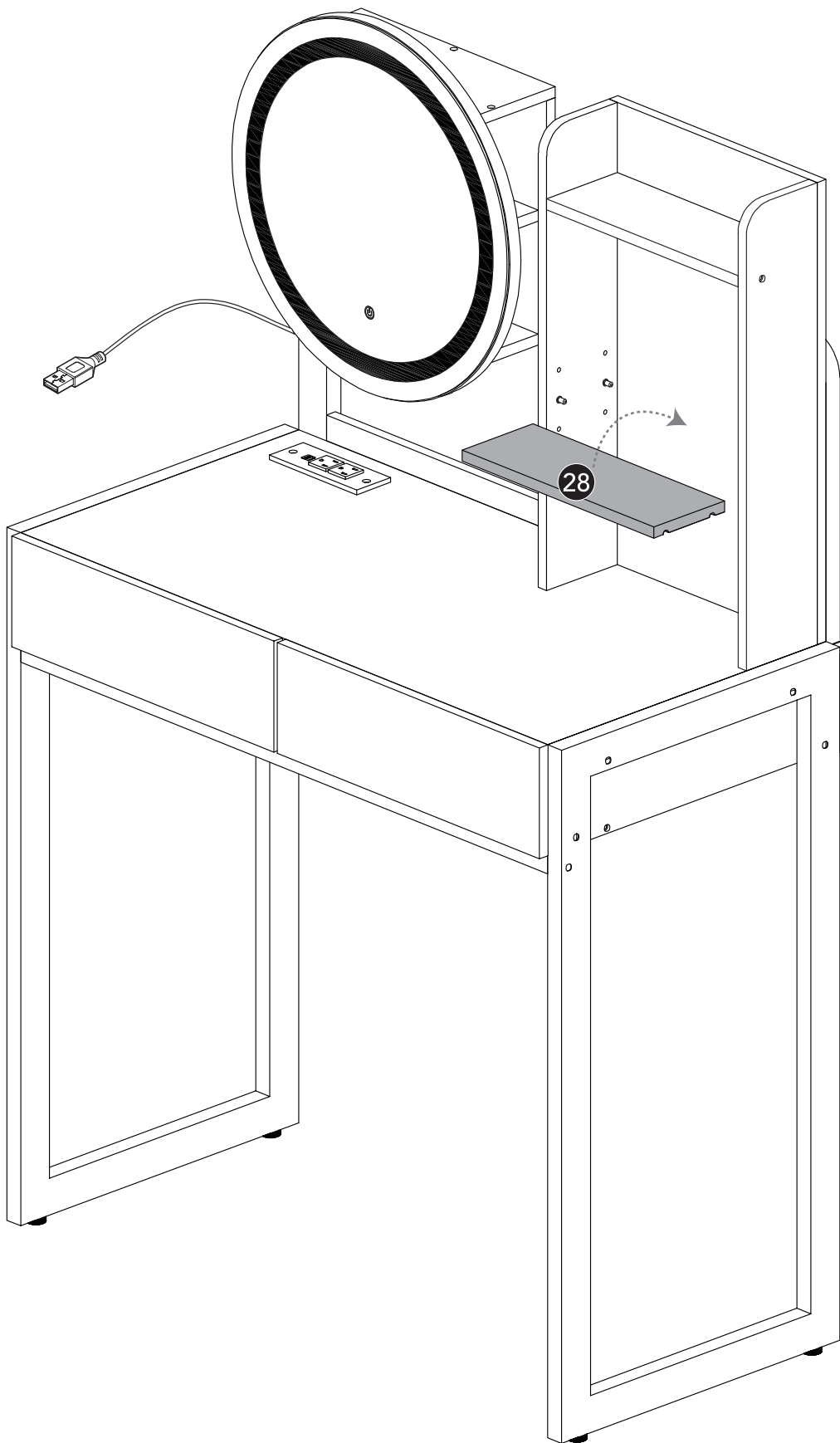
P x1



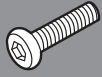




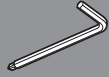
Attach the sticker to your needs. The sticker easily falls off after an extended period of time.



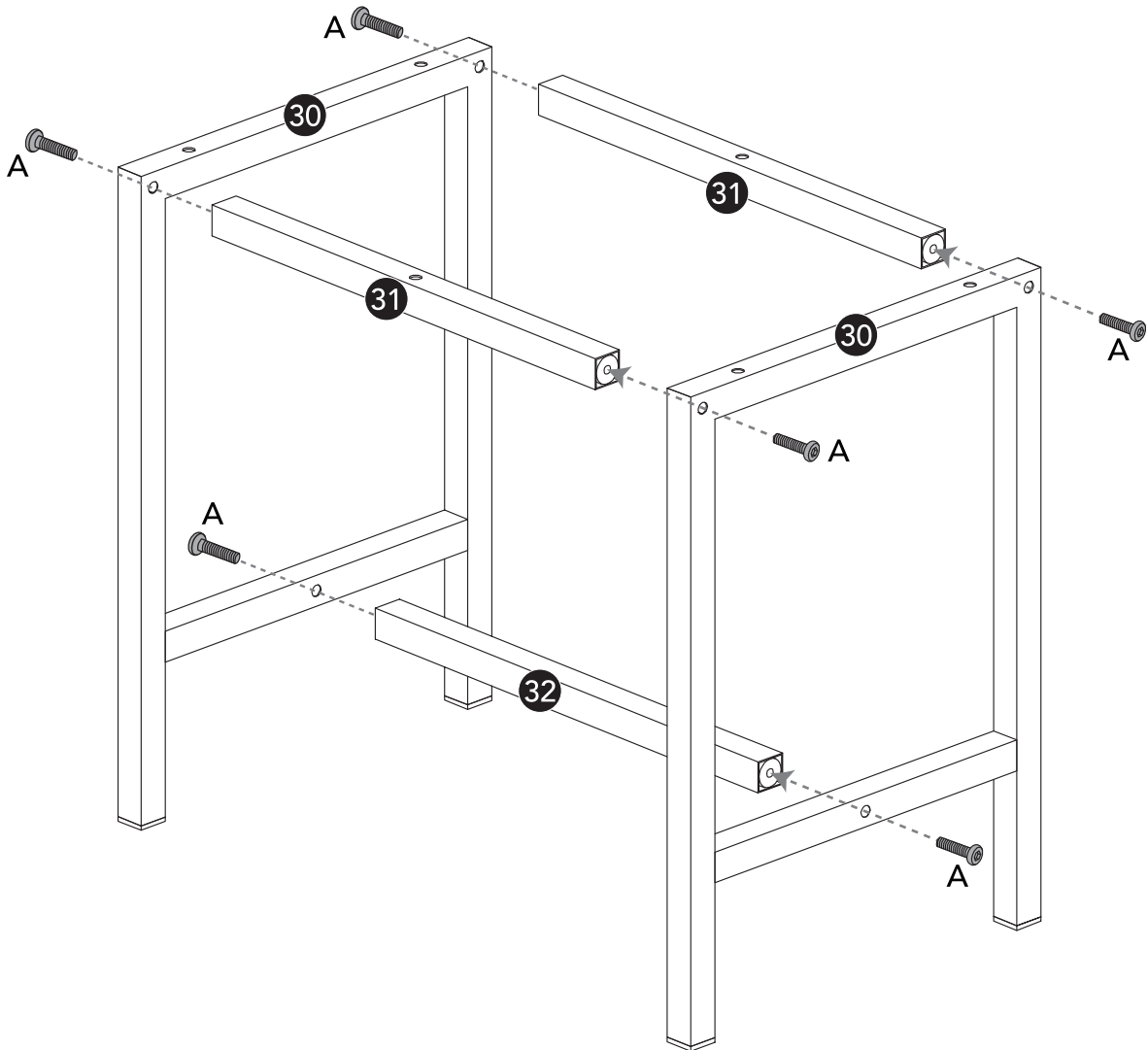
25



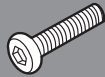
A x6



P x1



26



Q x6



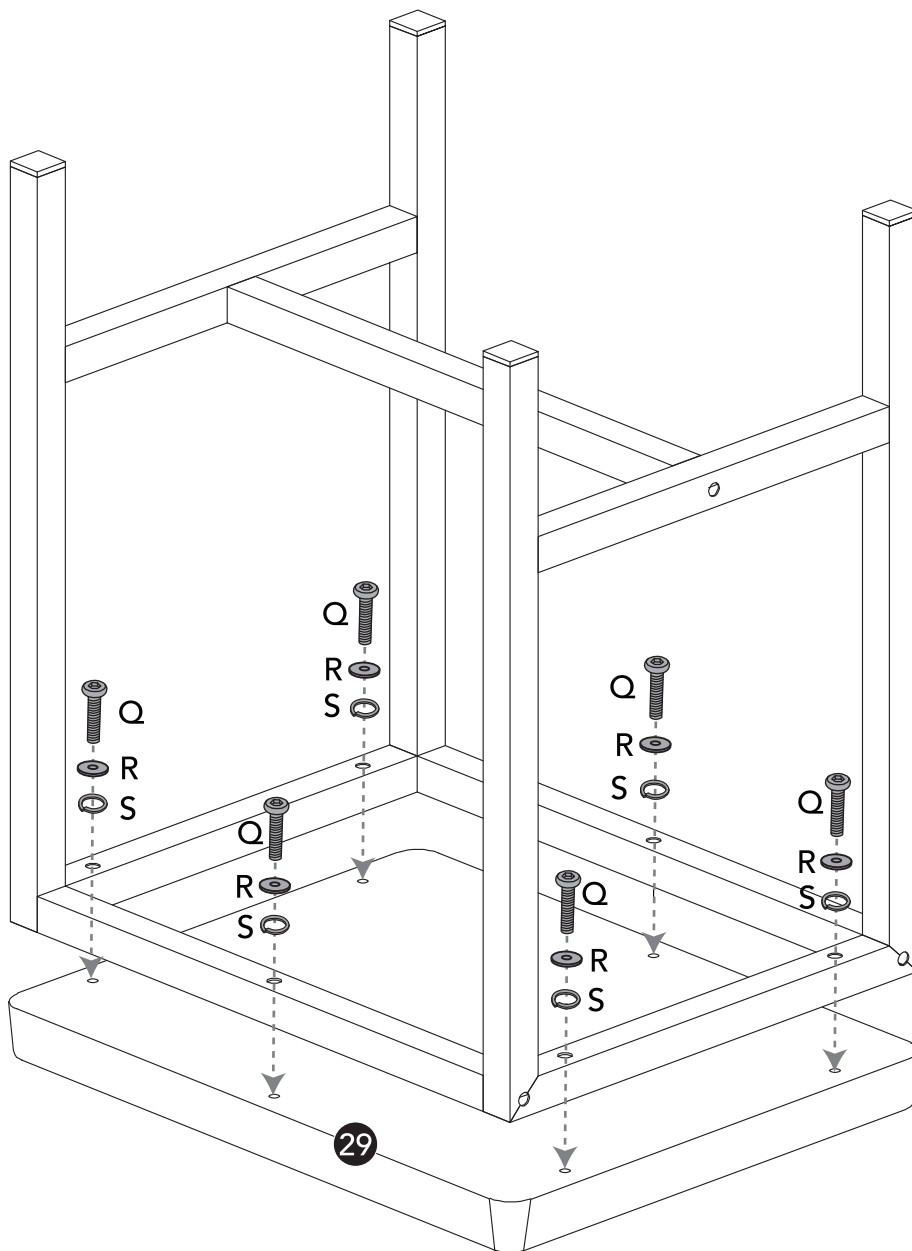
R x6



S x6



P x1



## Using the Mirror



### Power ON/OFF/Color Temperature Adjustment

Tap to turn on or adjust the color temperature (cool white / natural white / warm white).



### Brightness Adjustment

With the mirror on, hold to steplessly adjust the brightness level.

### Memory Function

If power is not disconnected, it will always remember your last settings once you turn it on again.

