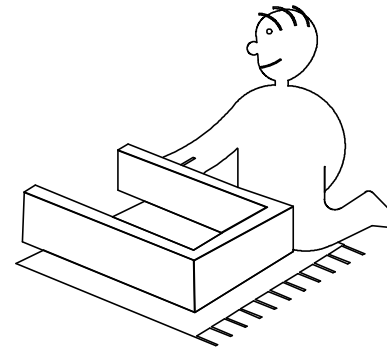
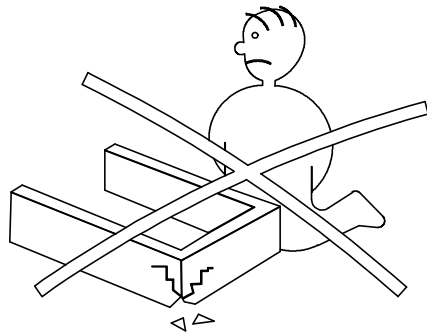
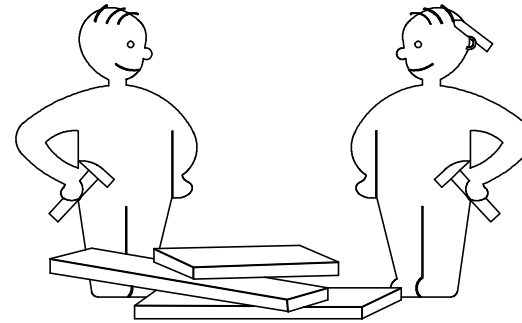
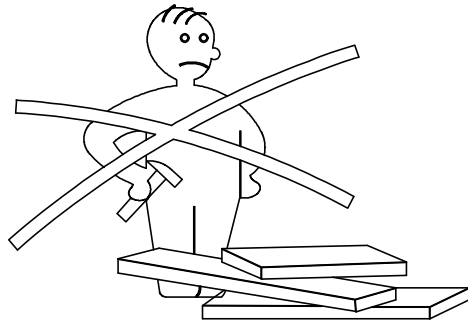
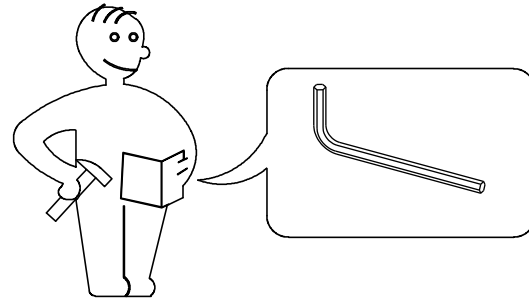




ASSEMBLY INSTRUCTION

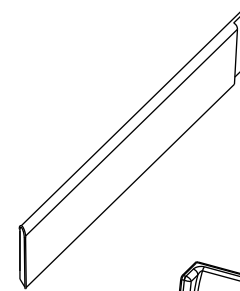


ASSEMBLY INSTRUCTION

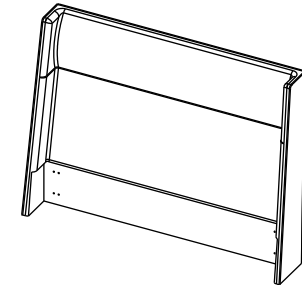
PARTS



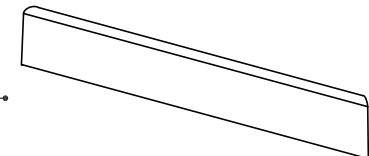
① x 2 (Left - Right)



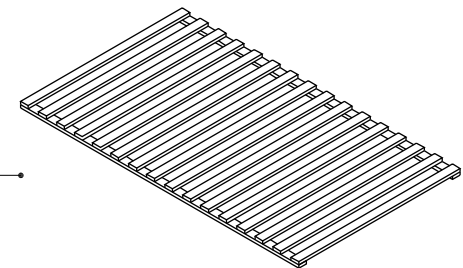
② x 1



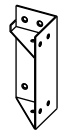
③ x 1



④ x 1



HARDWARE



Ⓐ x 4



Ⓑ x 4



Ⓒ x 4

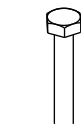


Ⓓ x 4



1/4 x 1"

Ⓔ x 48



1/4 x 1 1/2"

Ⓕ x 4



1/4"

Ⓖ x 4



1/4"

Ⓗ x 4



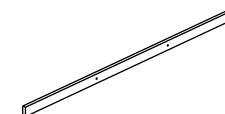
5/16"

Ⓘ x 4



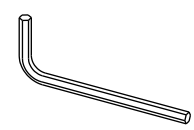
5/16"

Ⓙ x 4



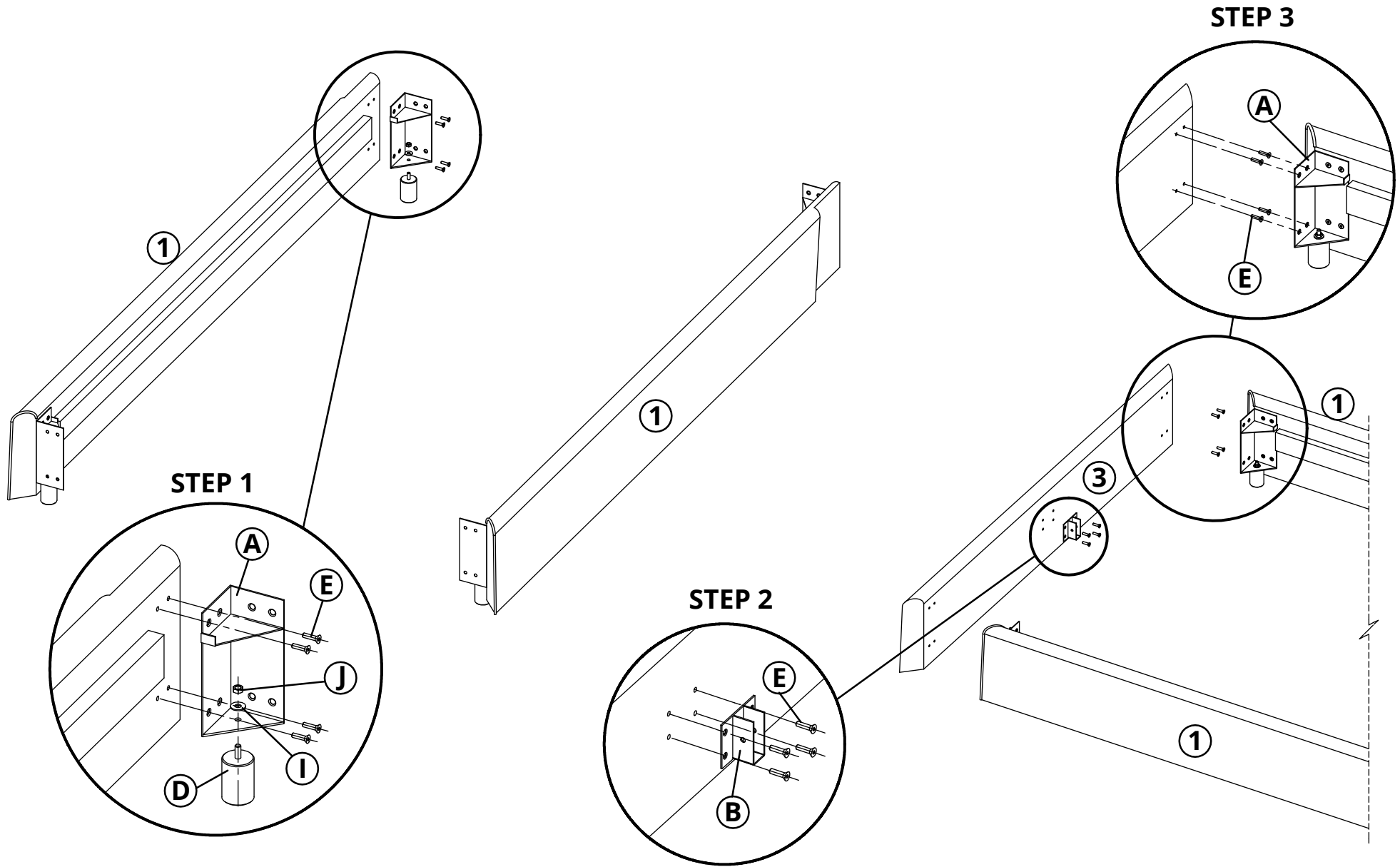
Ⓚ x 2

TOOL



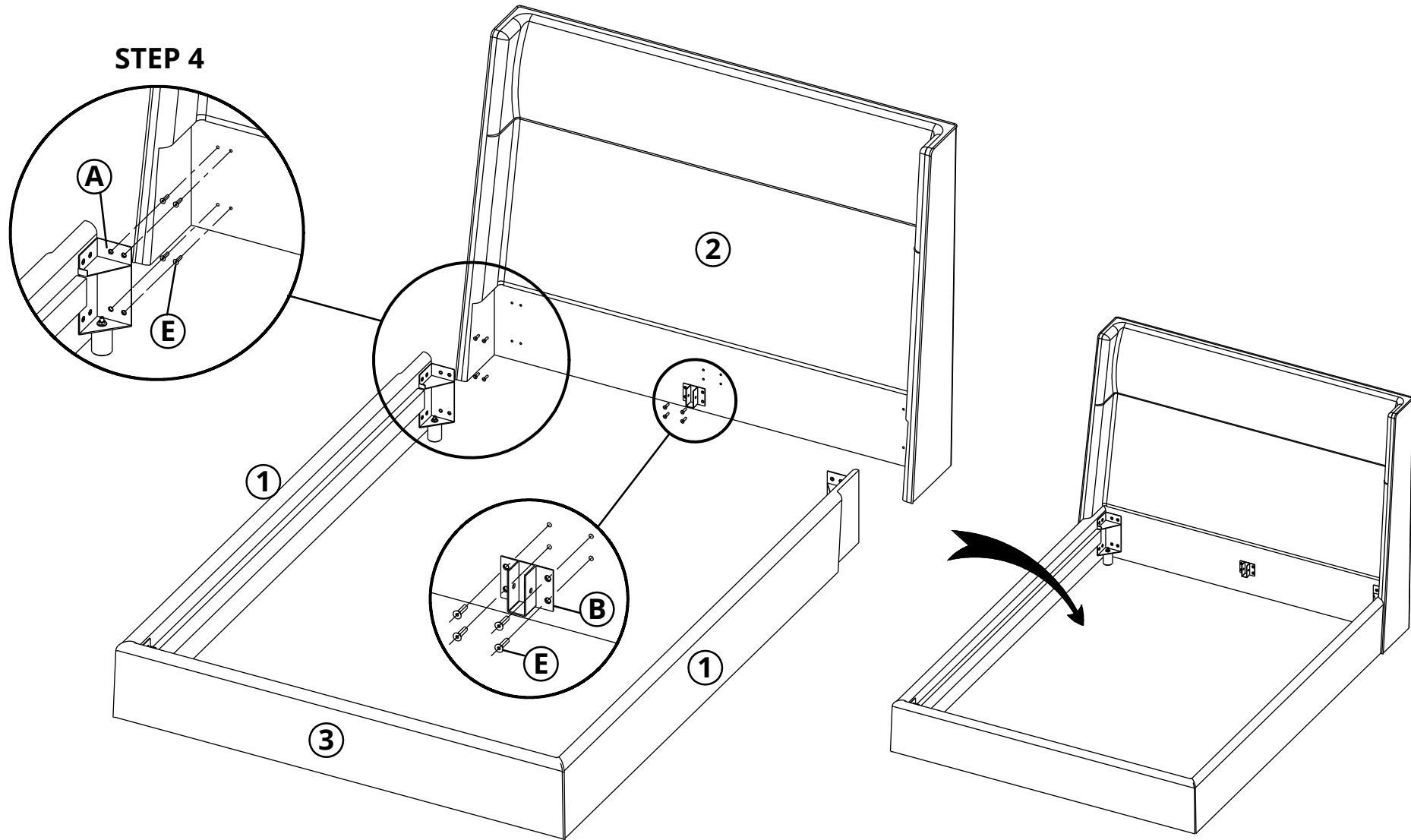
Ⓛ x 1

ASSEMBLY INSTRUCTION



ASSEMBLY INSTRUCTION

STEP 4



ASSEMBLY INSTRUCTION

STEP 5

