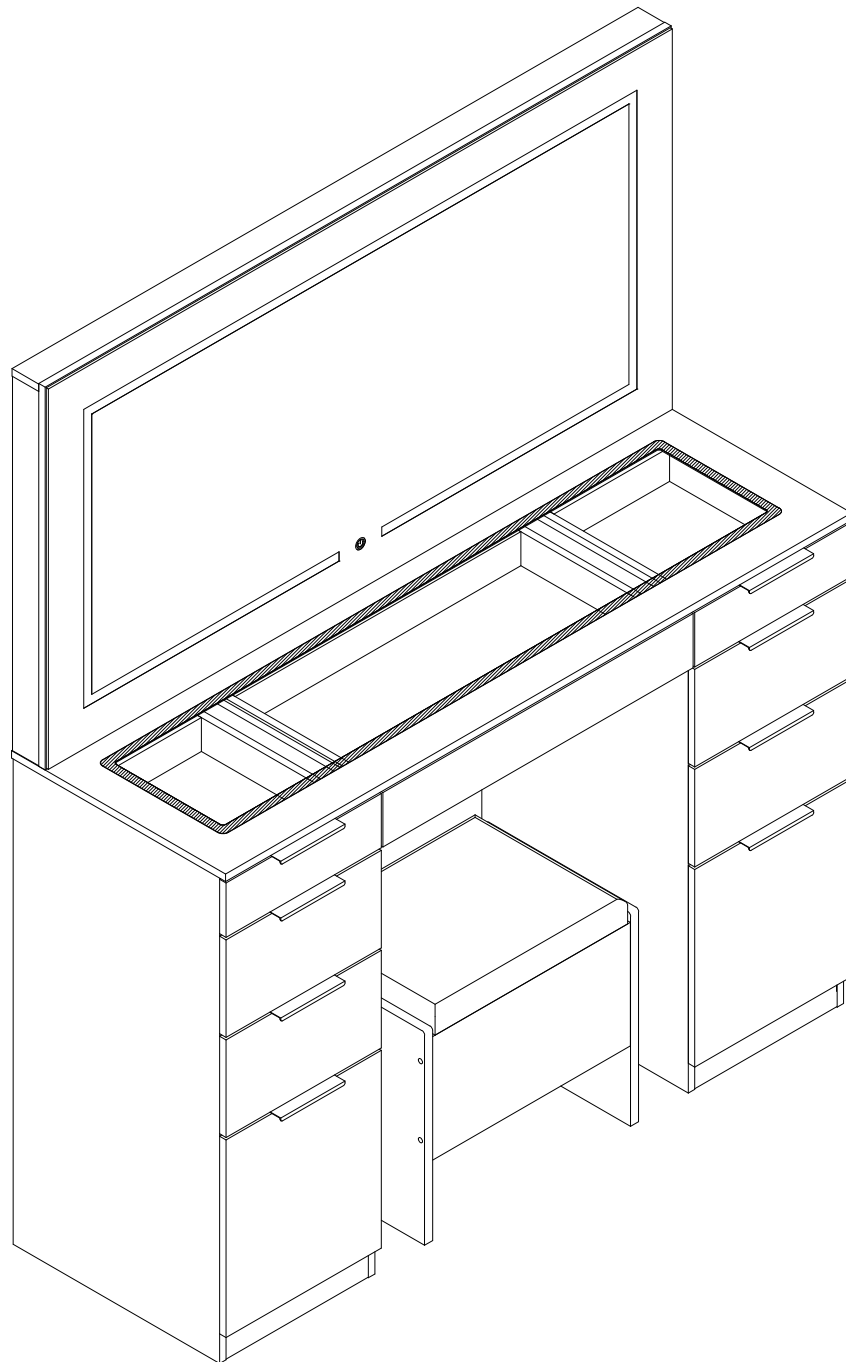
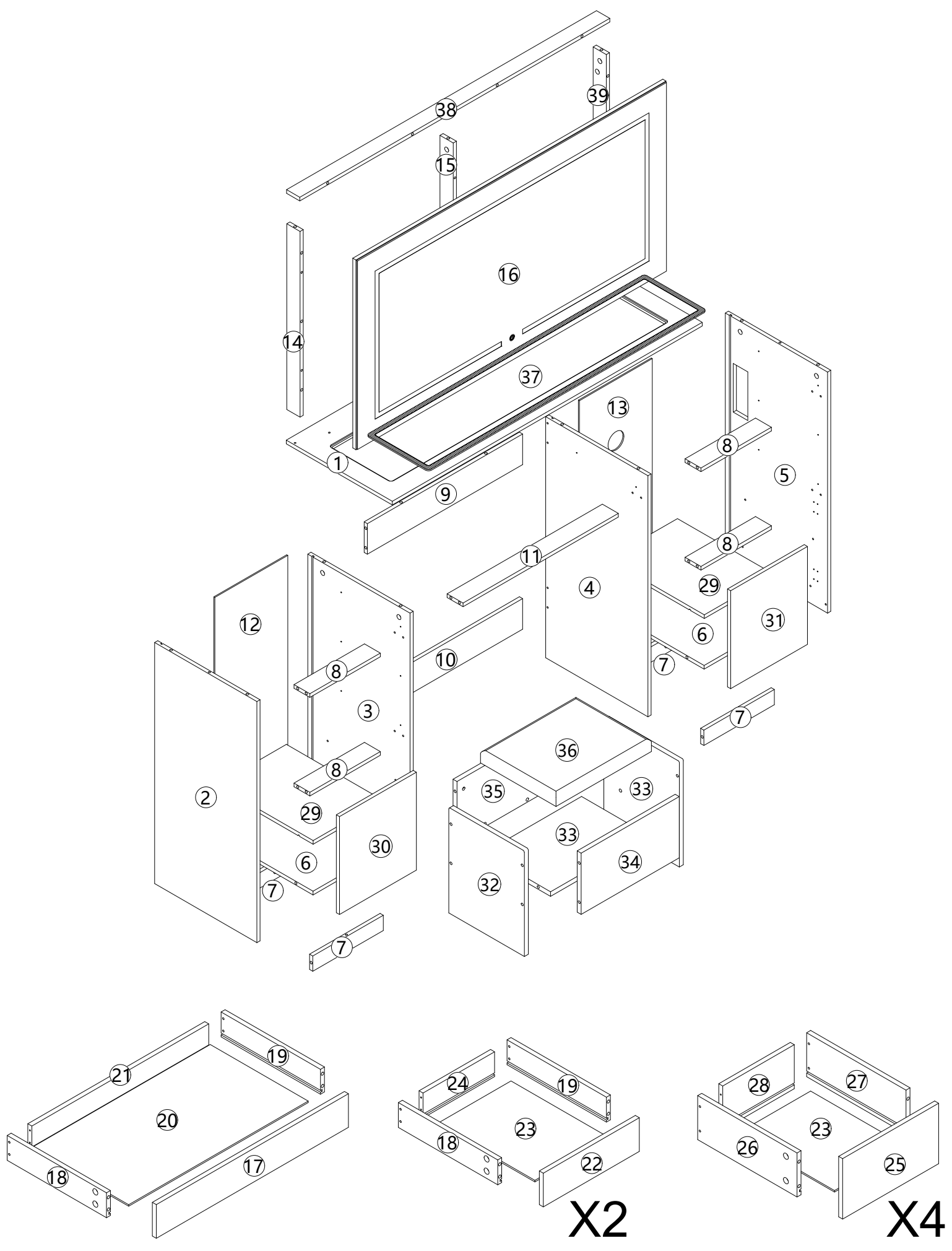


# Installation & Assembly



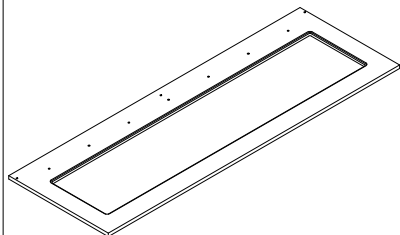
Dressing Table

# ASSEMBLY INSTRUCTION

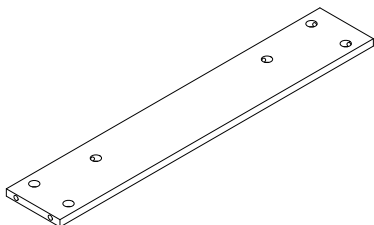


## 2-1

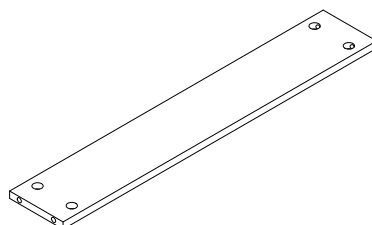
① 1PC



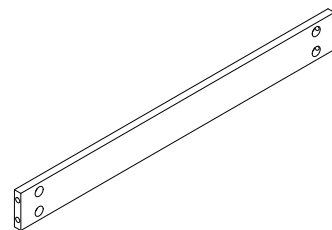
⑨ 1PC



⑩ 1PC



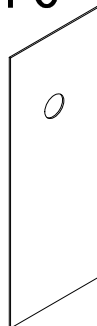
⑪ 1PC



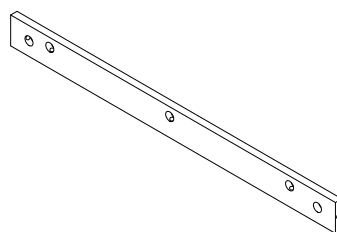
⑫ 1PC



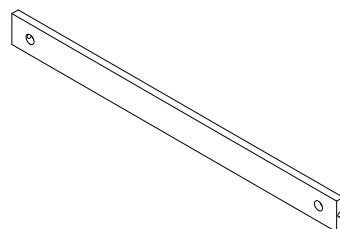
⑬ 1PC



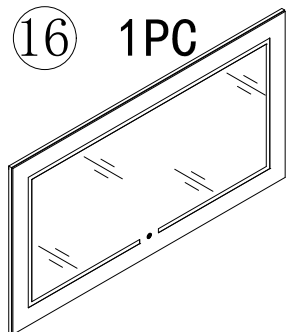
⑭ 1PC



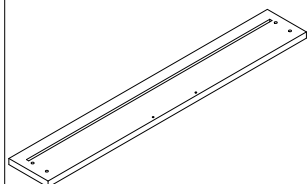
⑮ 1PC



⑯ 1PC



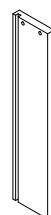
⑰ 1PC



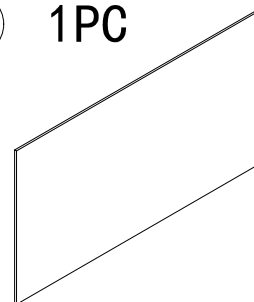
⑱ 3PCS



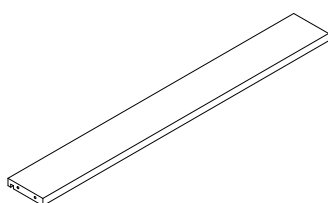
⑲ 3PCS



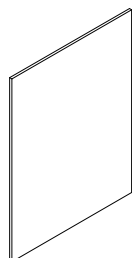
⑳ 1PC



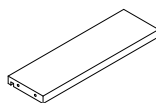
㉑ 1PC



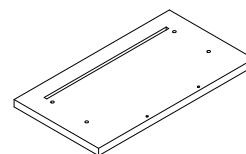
㉓ 6PCS



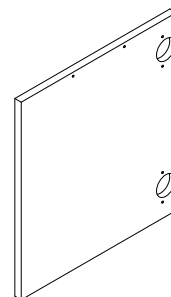
㉔ 2PCS



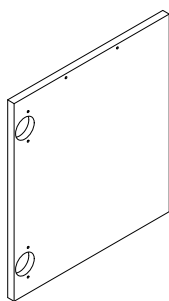
㉕ 4PCS



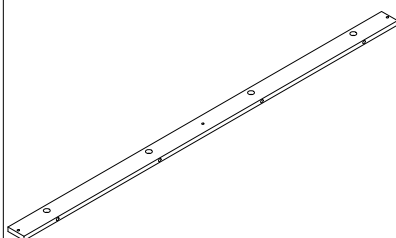
㉟ 1PC



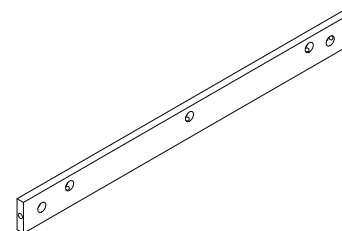
㉑ 1PC



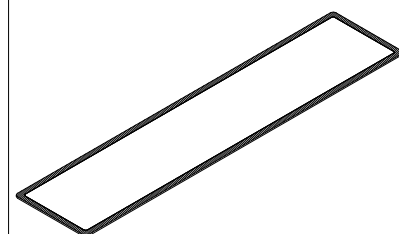
㉘ 1PC



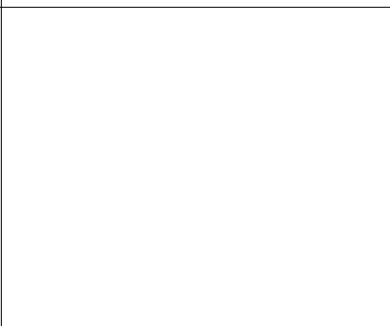
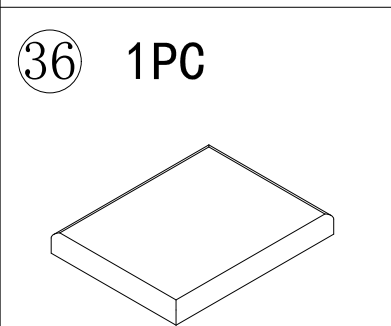
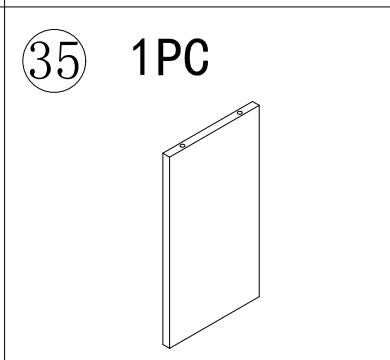
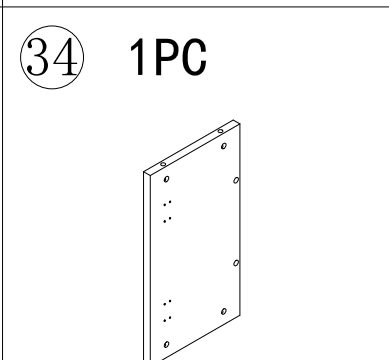
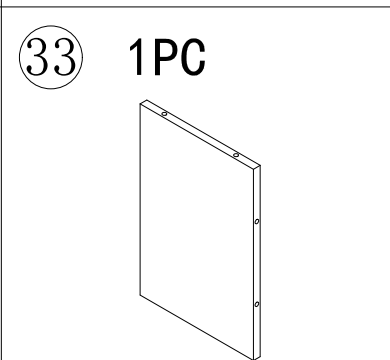
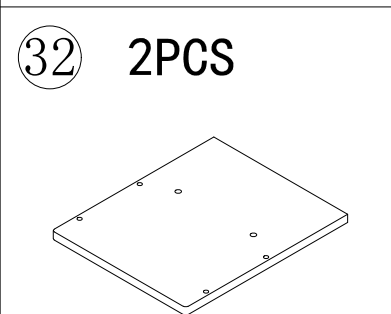
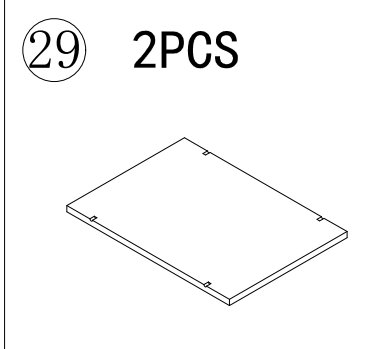
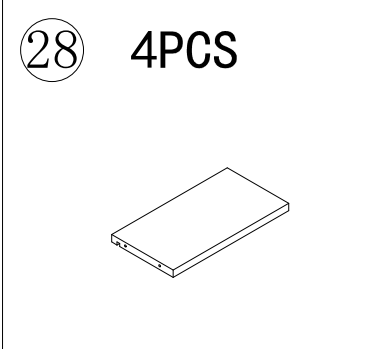
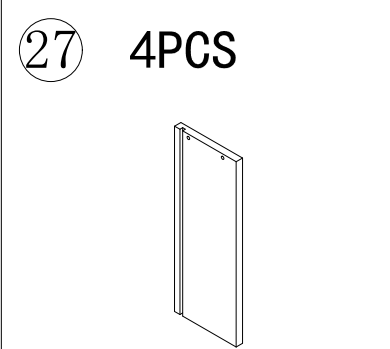
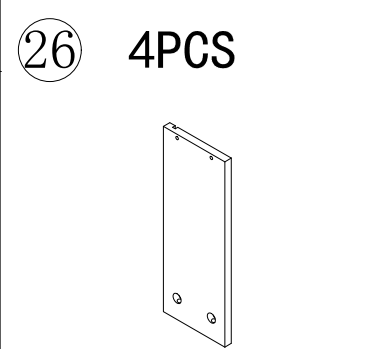
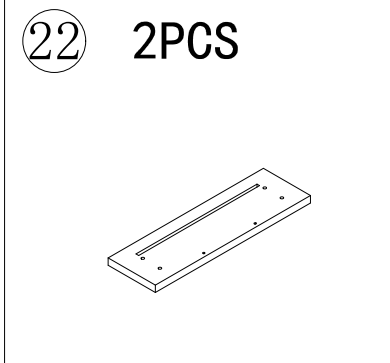
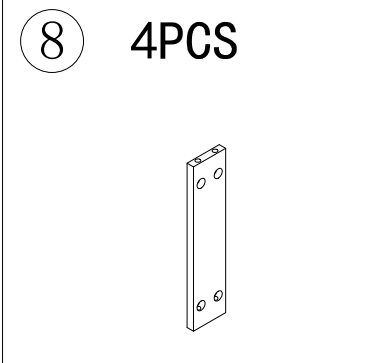
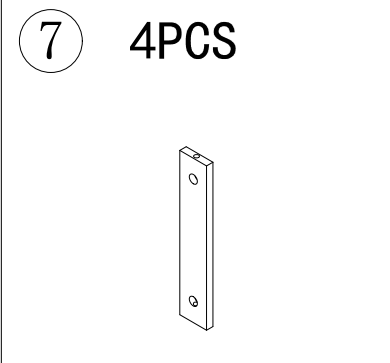
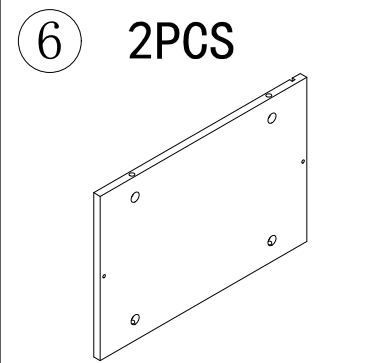
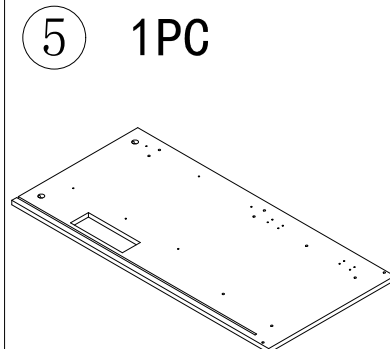
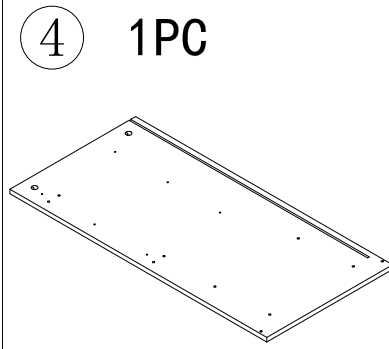
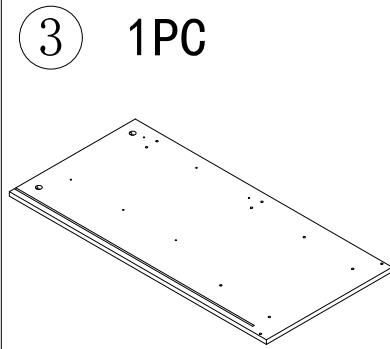
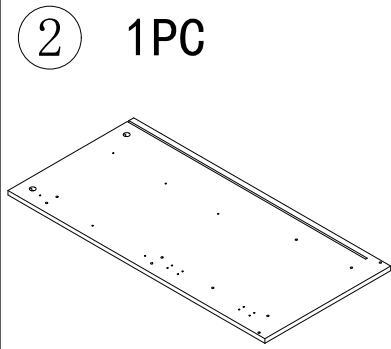
㉙ 1PC



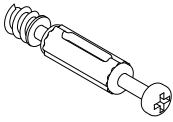
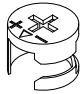

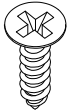
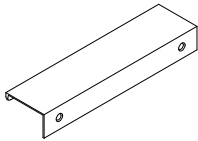
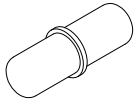
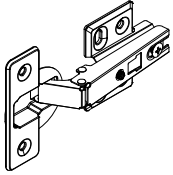

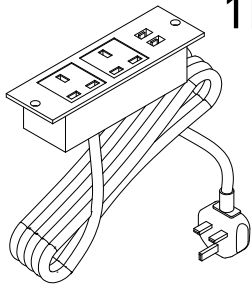
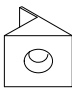




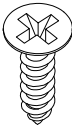
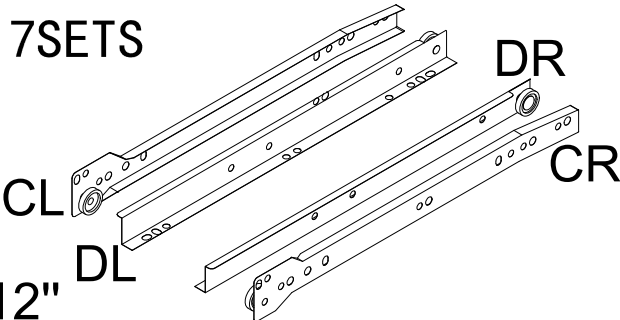
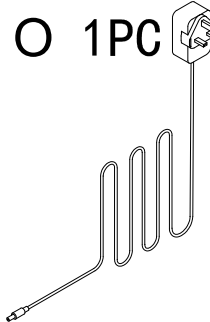
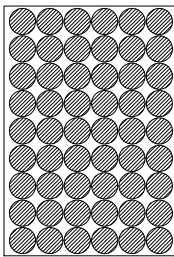
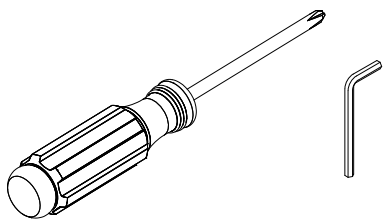
㉟ 1PC

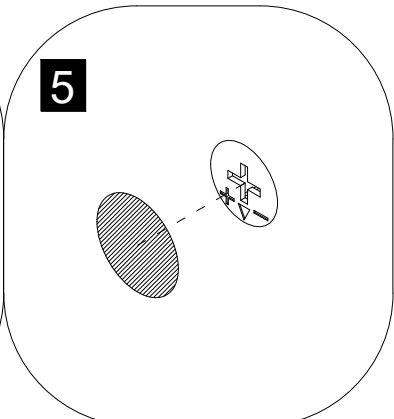
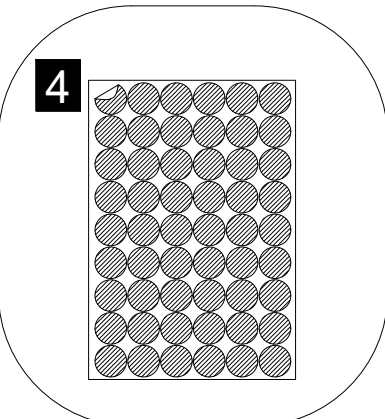
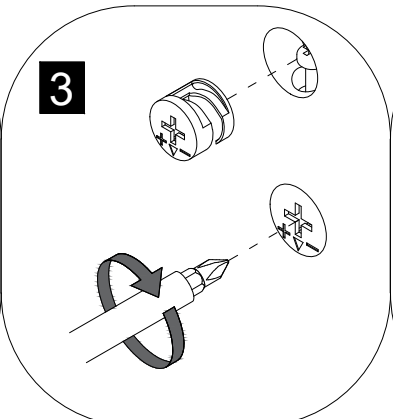
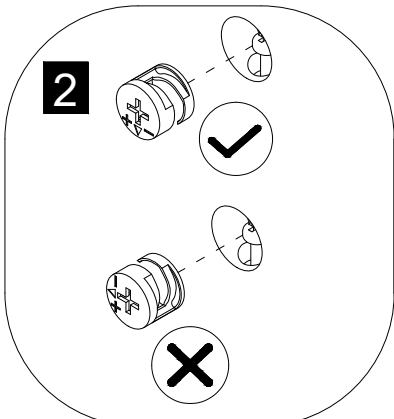
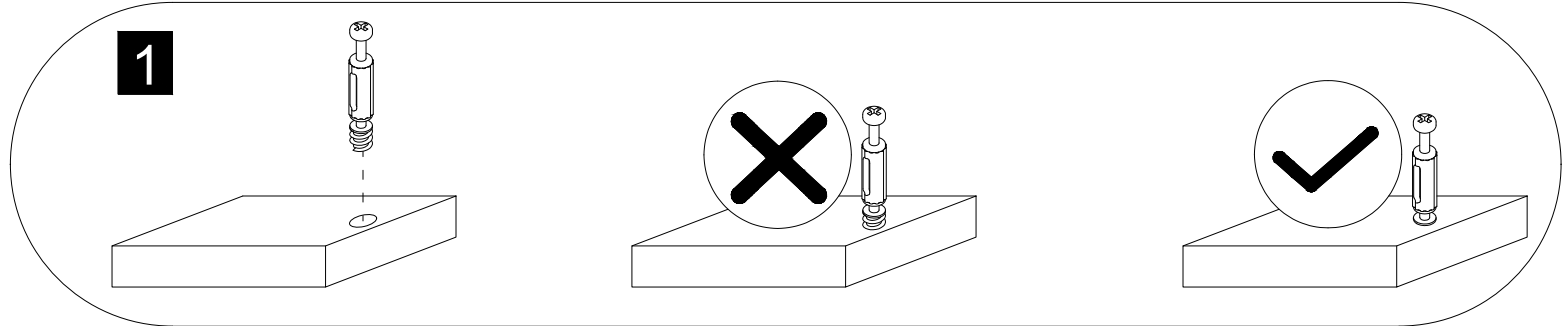


## 2-2



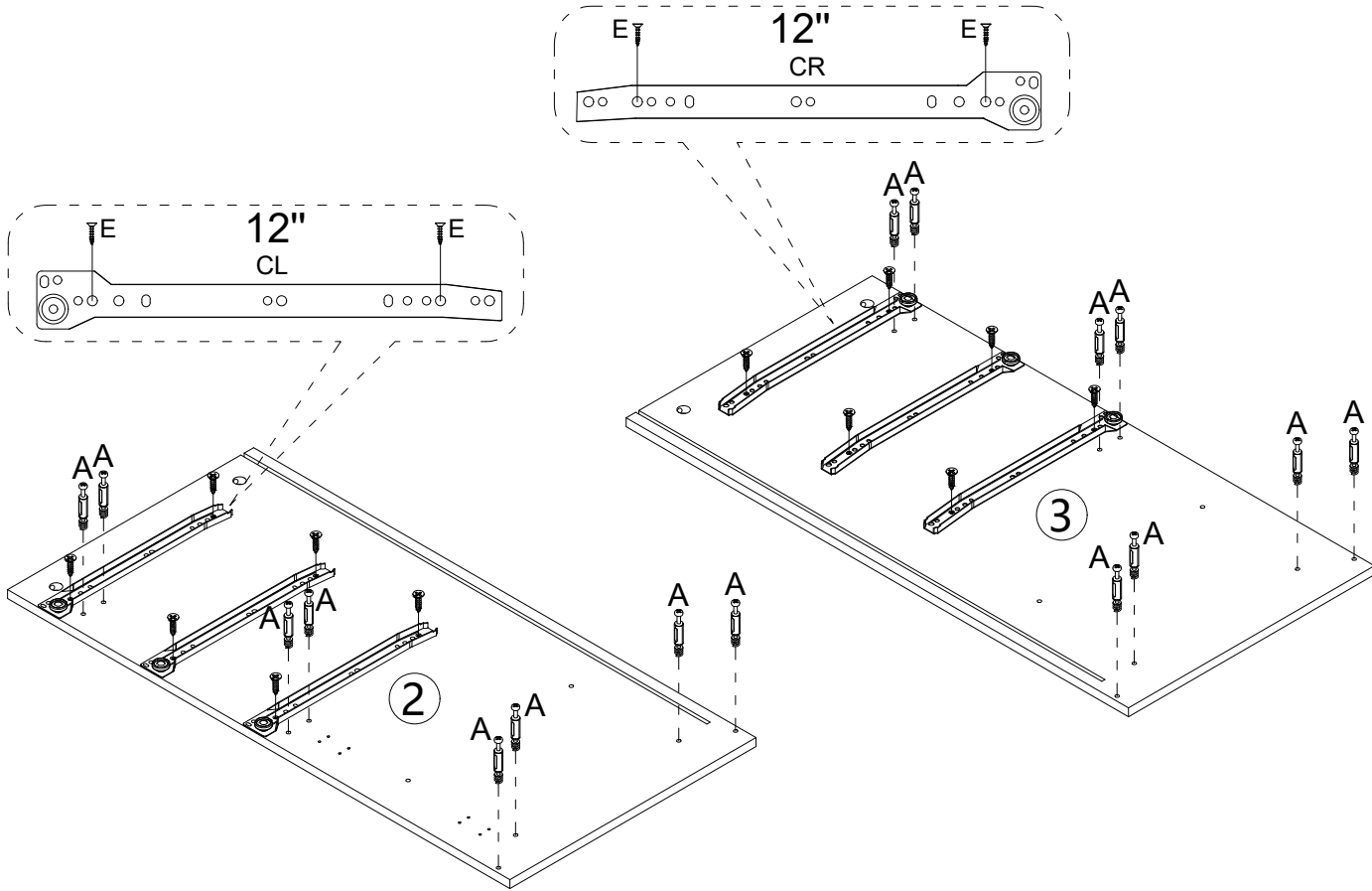
# ASSEMBLY INSTRUCTION

<p>A 110PCS</p> 	<p>B 110PCS</p>  <p>Ø15X10</p>	<p>C 15PCS</p>  <p>M6X30</p>	<p>E 74PCS</p>  <p>M3.5X12</p>	<p>H 9PCS</p> 	<p>I 8PCS</p> 	<p>J 6PCS</p> 
<p>L 28PCS</p>  <p>M3.5X40</p>	<p>N 1PC</p> 	<p>P 8PCS</p>  	<p>Q 1SET</p> 	<p>R 8PCS</p>   <p>M6X50</p>	<p>S 38PCS</p>  <p>M3.5X14</p>	
<p>7SETS</p>  <p>CL DL DR CR</p> <p>12"</p>		<p>O 1PC</p> 		<p>T00L</p> 		

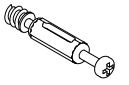


# ASSEMBLY INSTRUCTION

## STEP 1



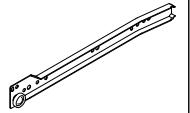
A 16PCS



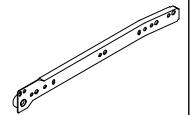
E 12PCS



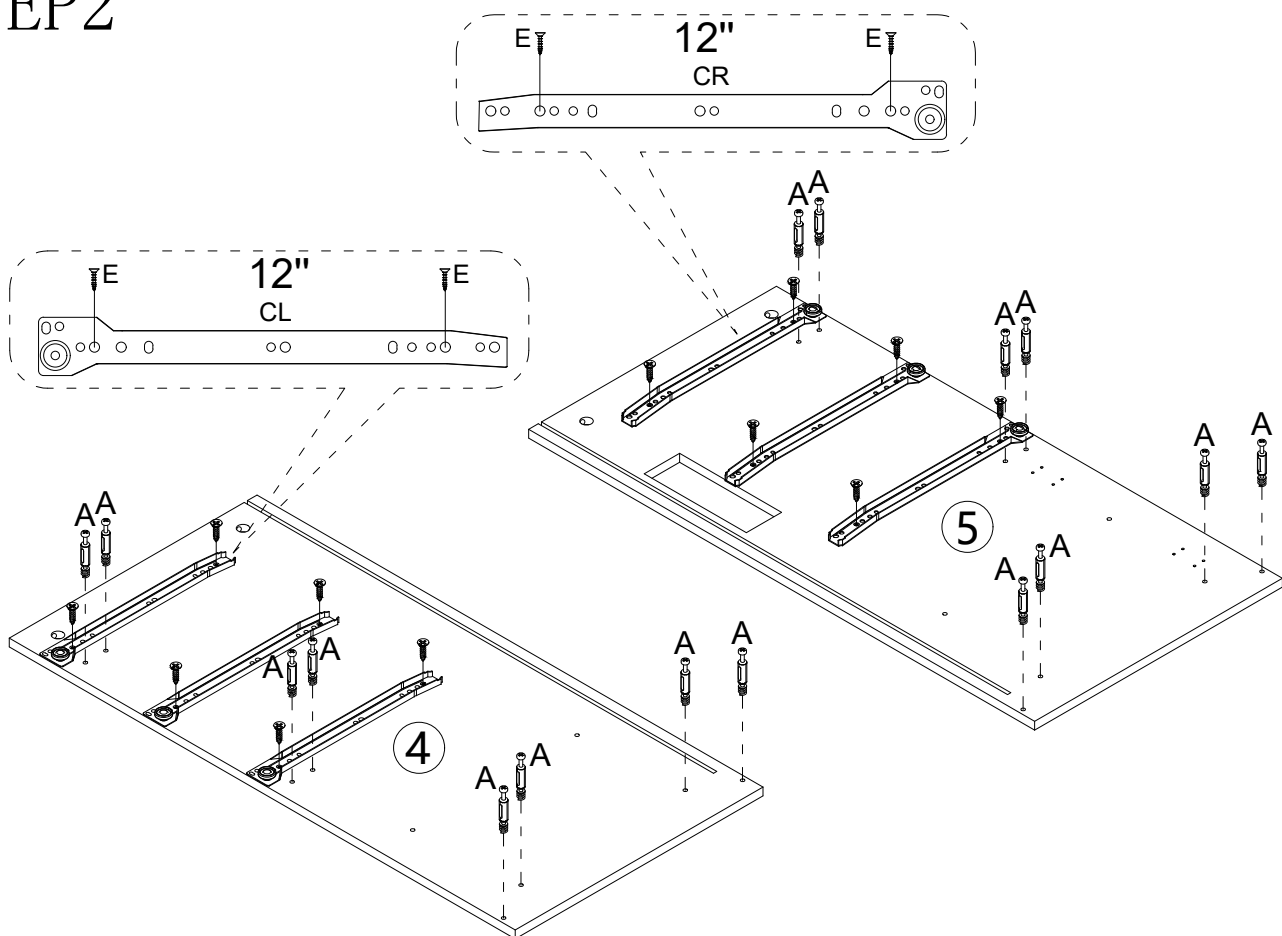
CL 3PCS



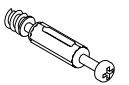
CR 3PCS



## STEP 2



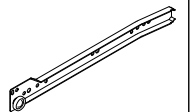
A 16PCS



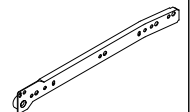
E 12PCS



CL 3PCS



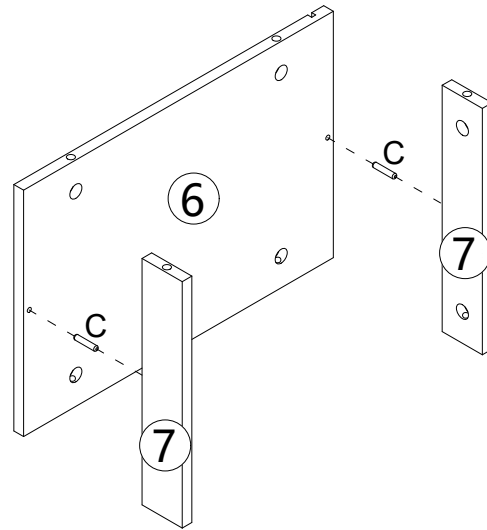
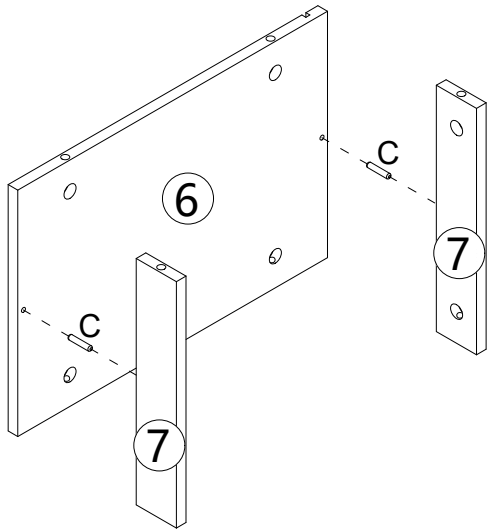
CR 3PCS



# ASSEMBLY INSTRUCTION

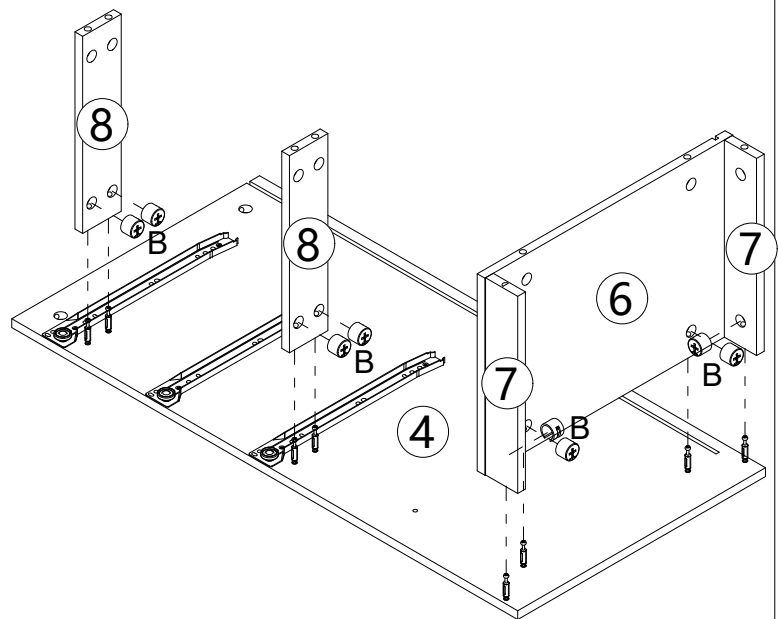
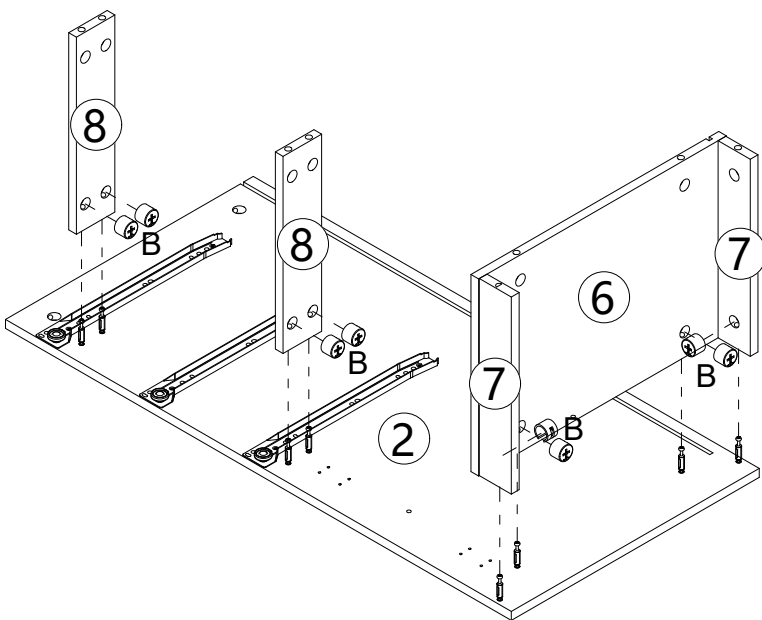
## STEP3

C 4PCS



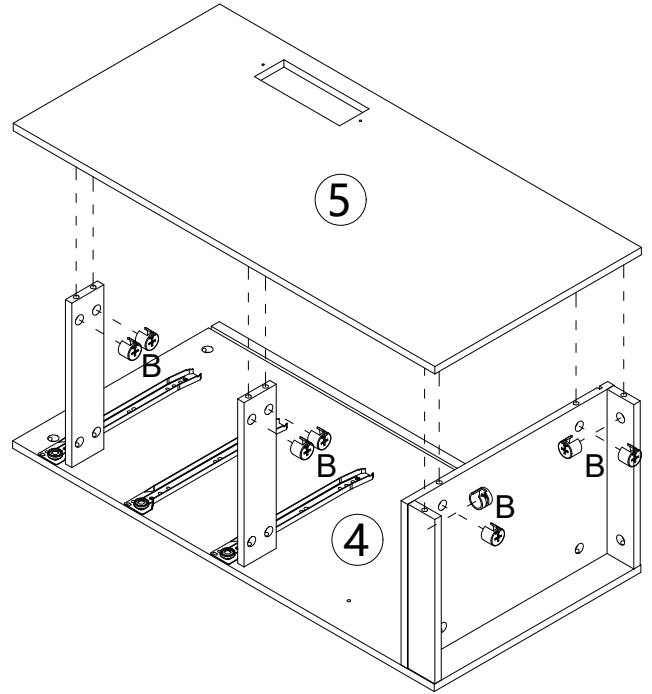
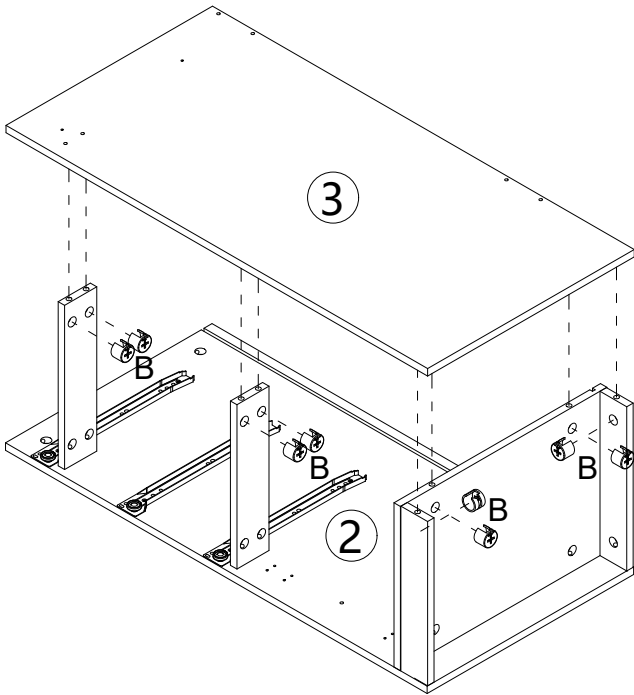
## STEP4

B 16PCS



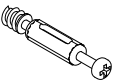
## STEP5

B 16PCS



## STEP6

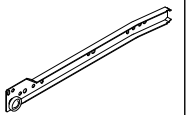
A 12PCS



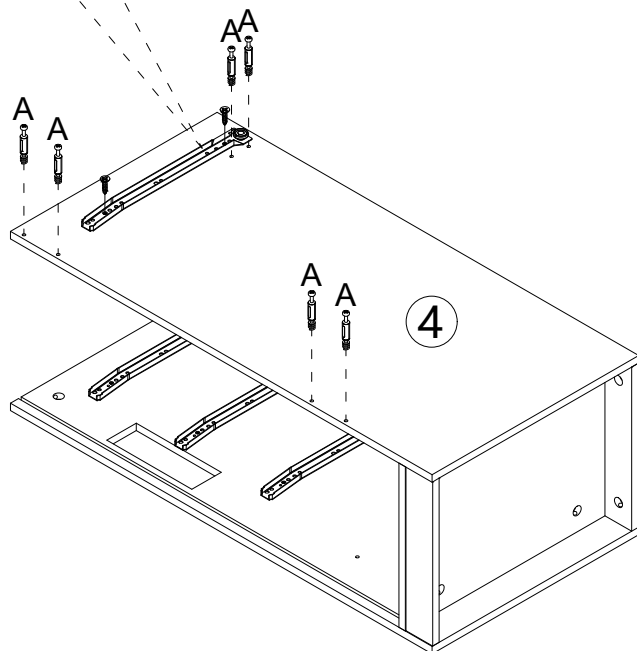
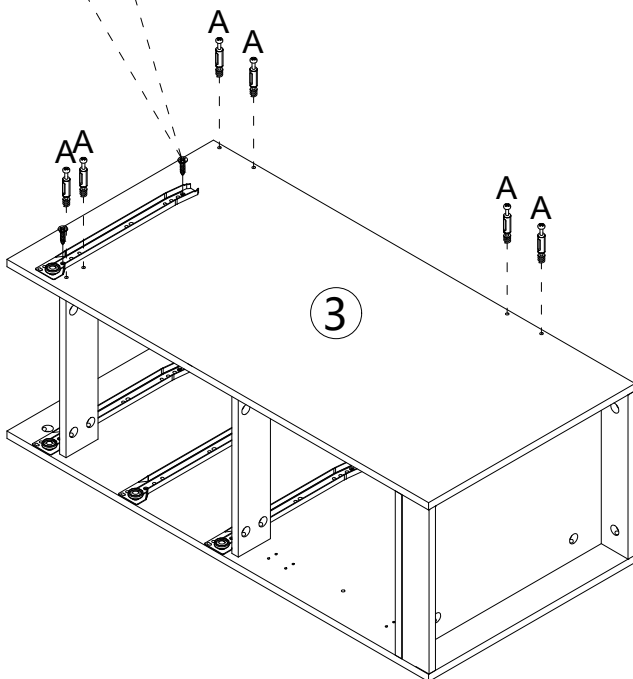
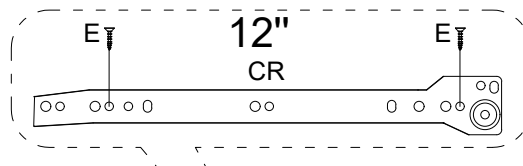
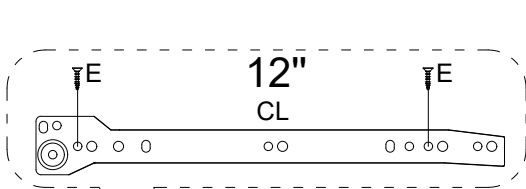
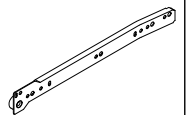
E 4PCS



CL 1PC



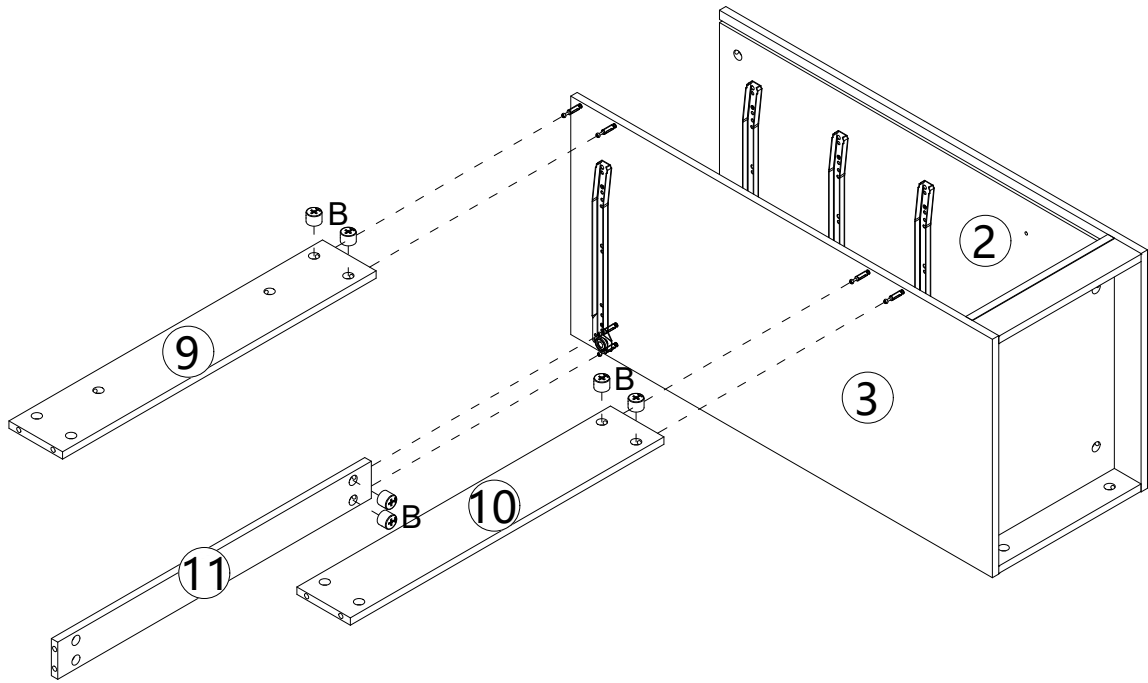
CR 1PC



# ASSEMBLY INSTRUCTION

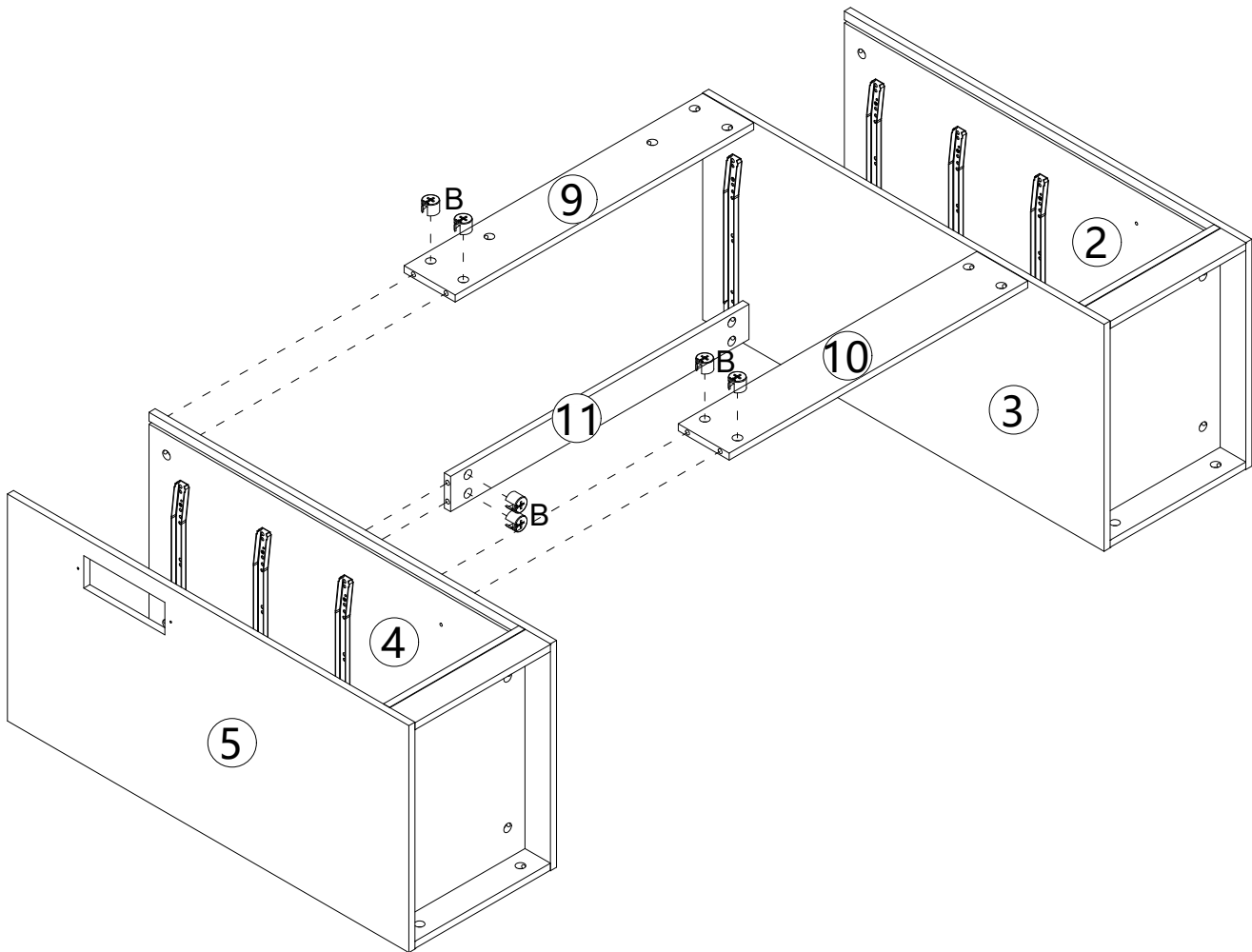
## STEP7

B 6PCS



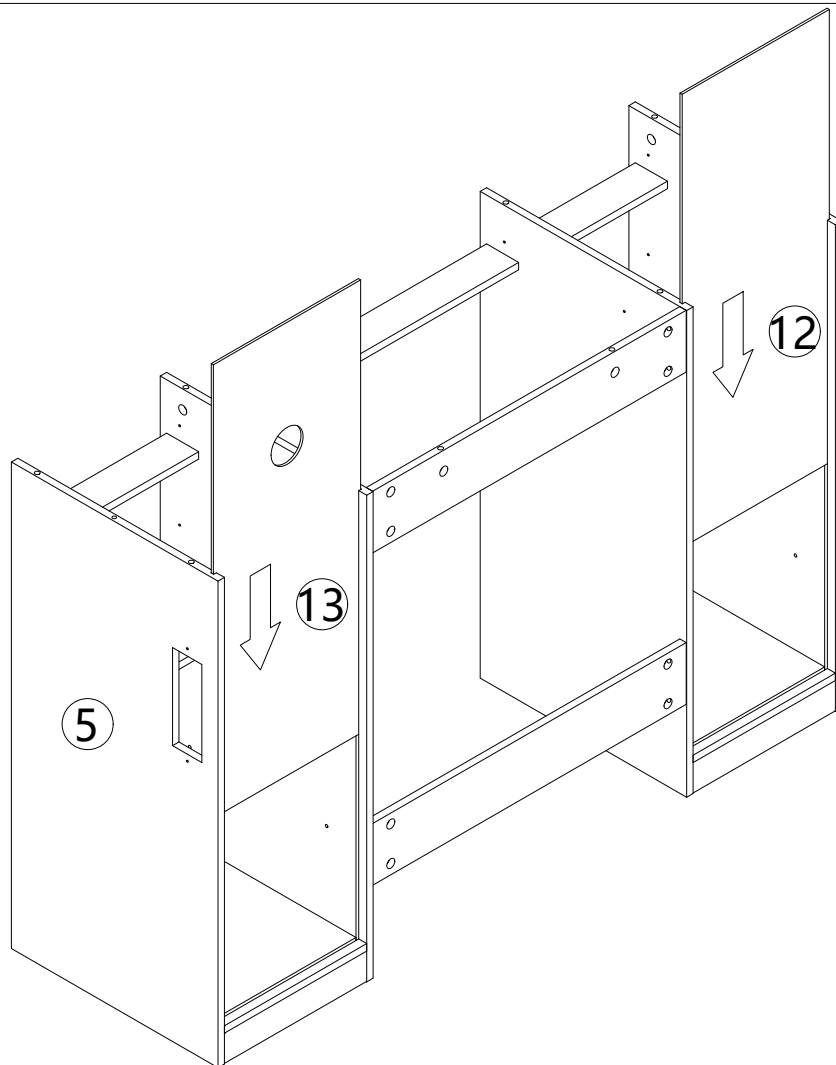
## STEP8

B 6PCS

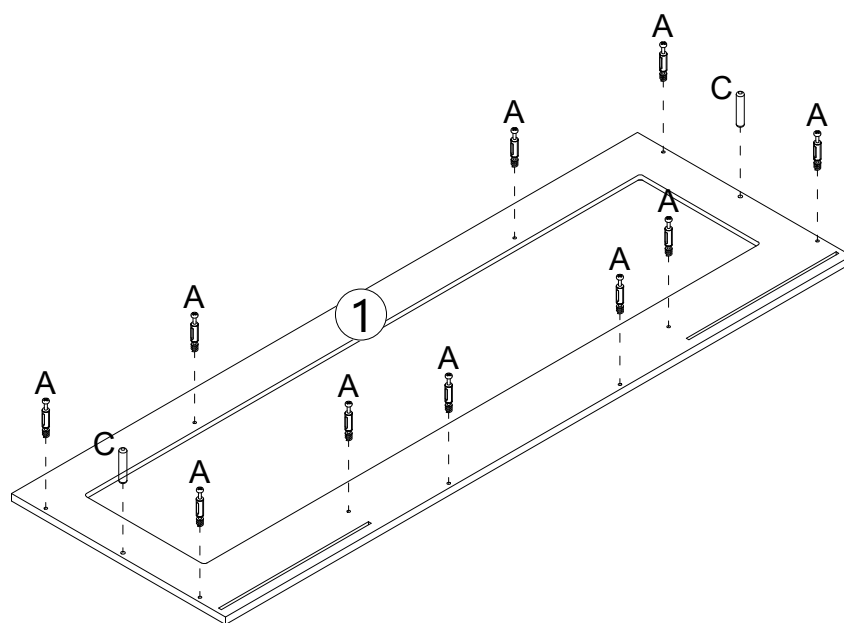


# ASSEMBLY INSTRUCTION

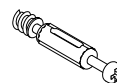
## STEP9



## STEP10



A 10PCS

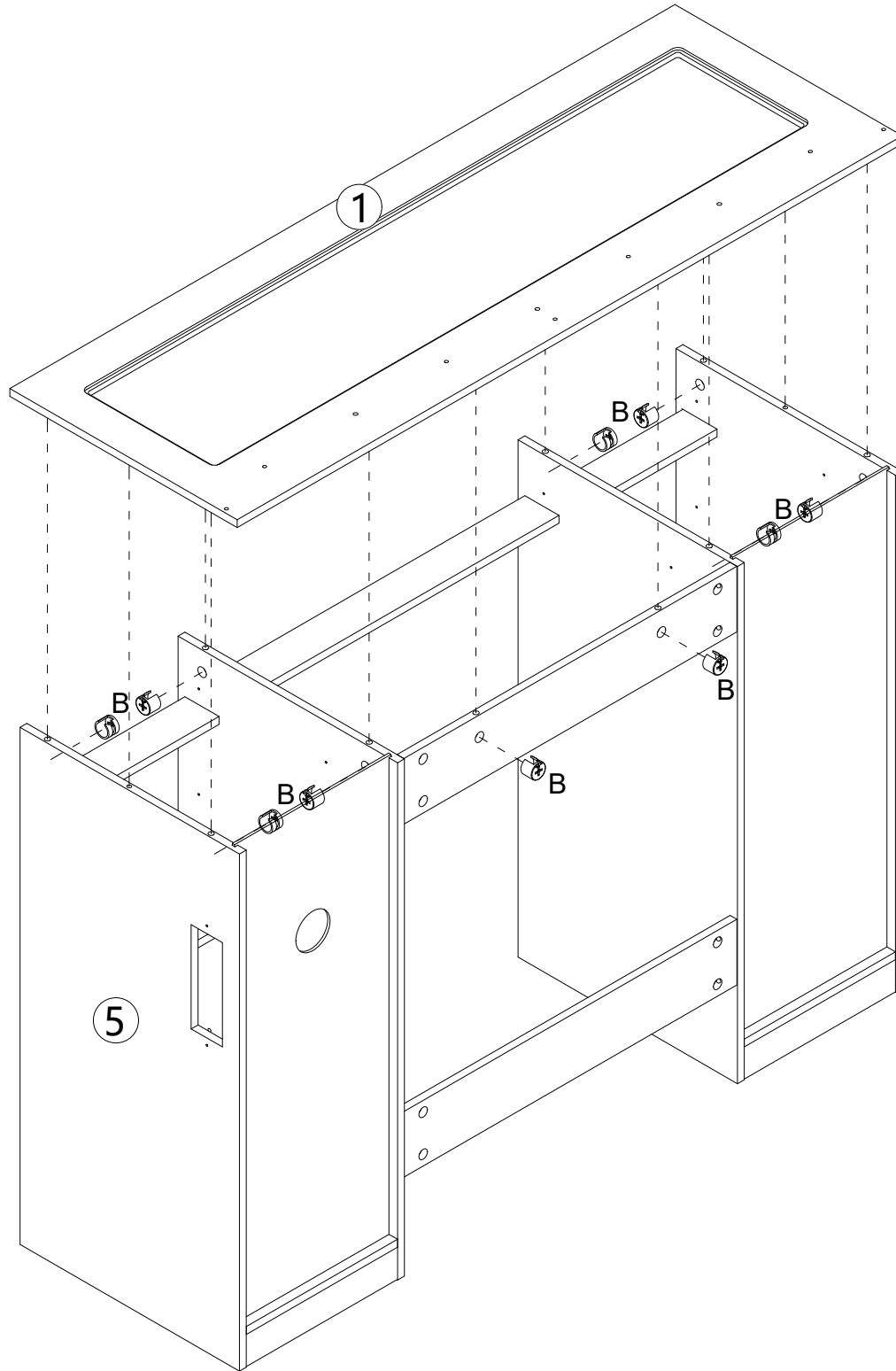


C 2PCS



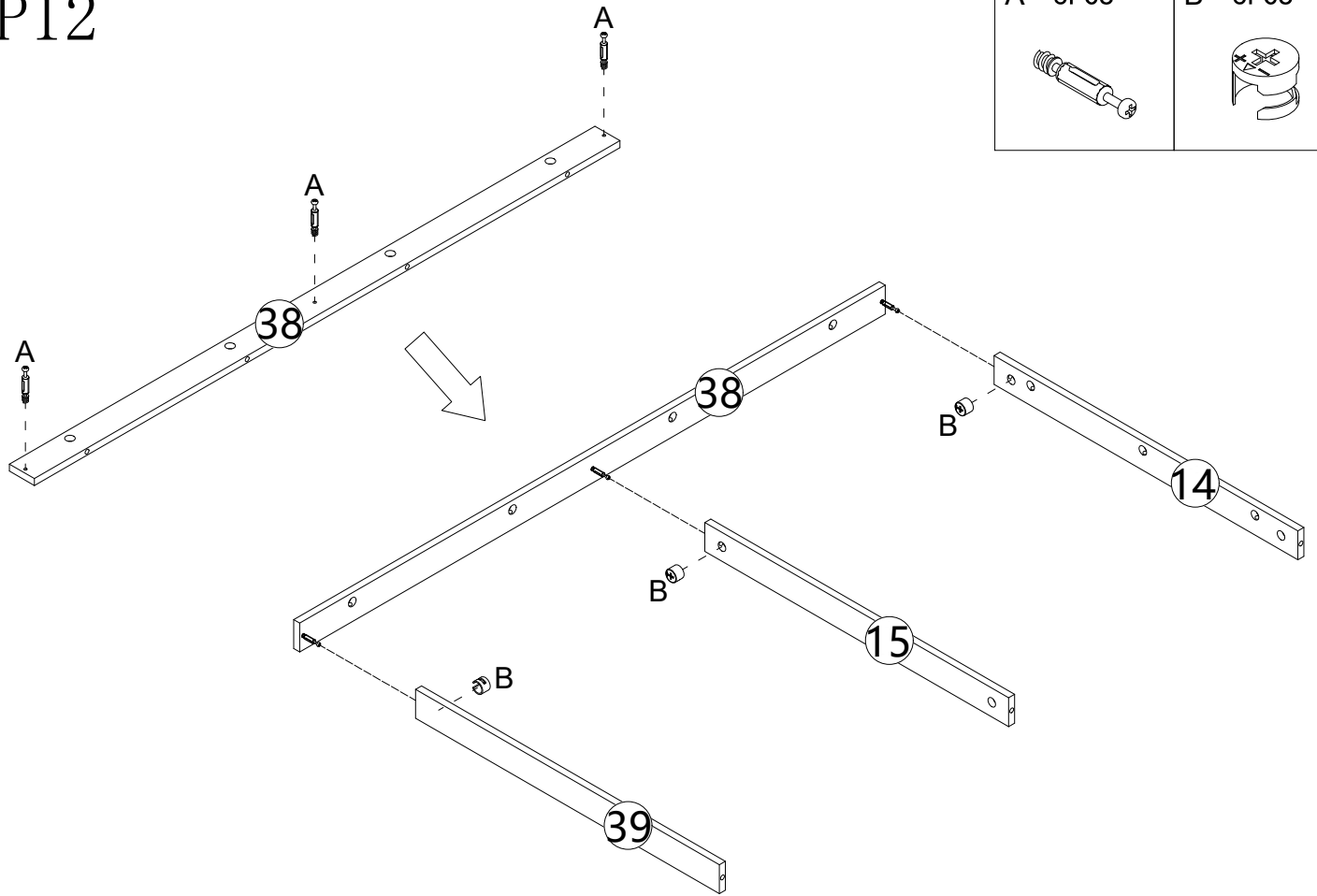
## STEP 11

B 10PCS

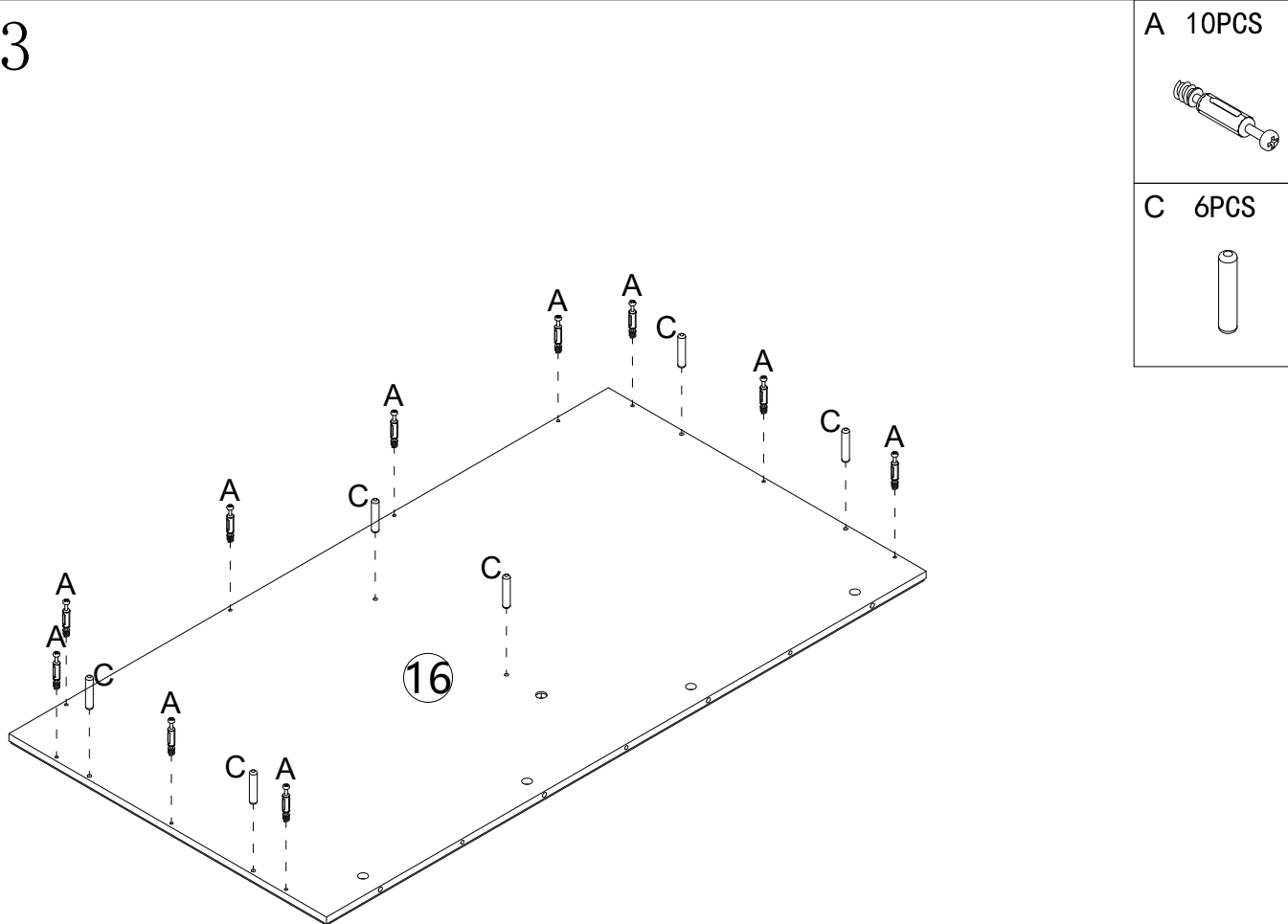


# ASSEMBLY INSTRUCTION

## STEP12



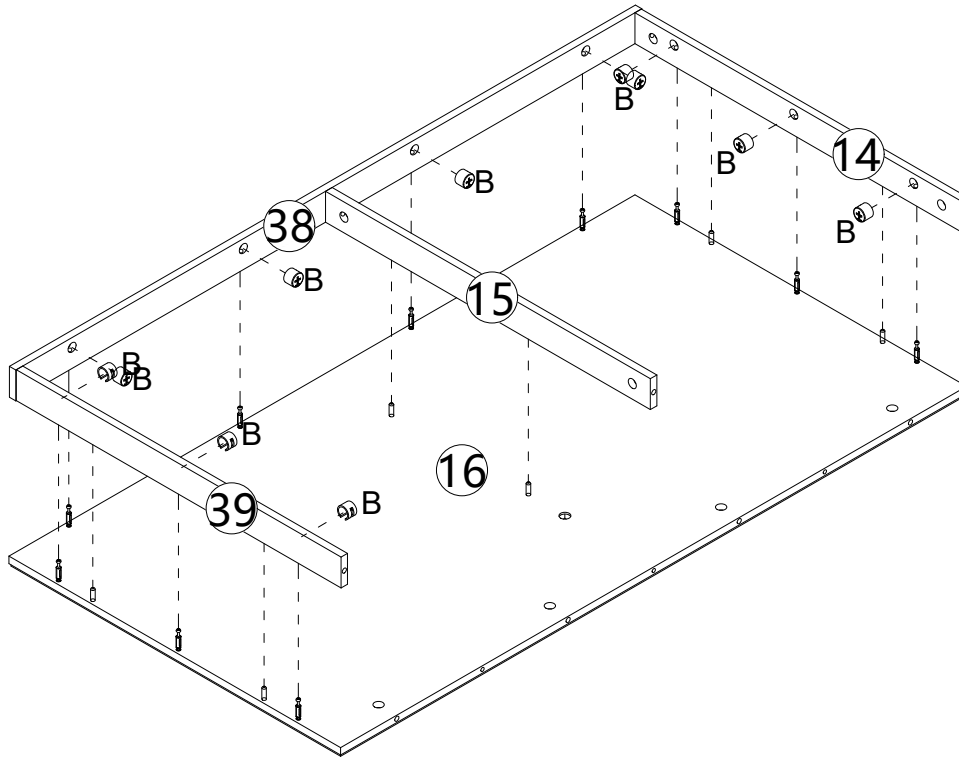
## STEP13



# ASSEMBLY INSTRUCTION

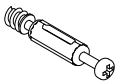
## STEP14

B 10PCS



## STEP15

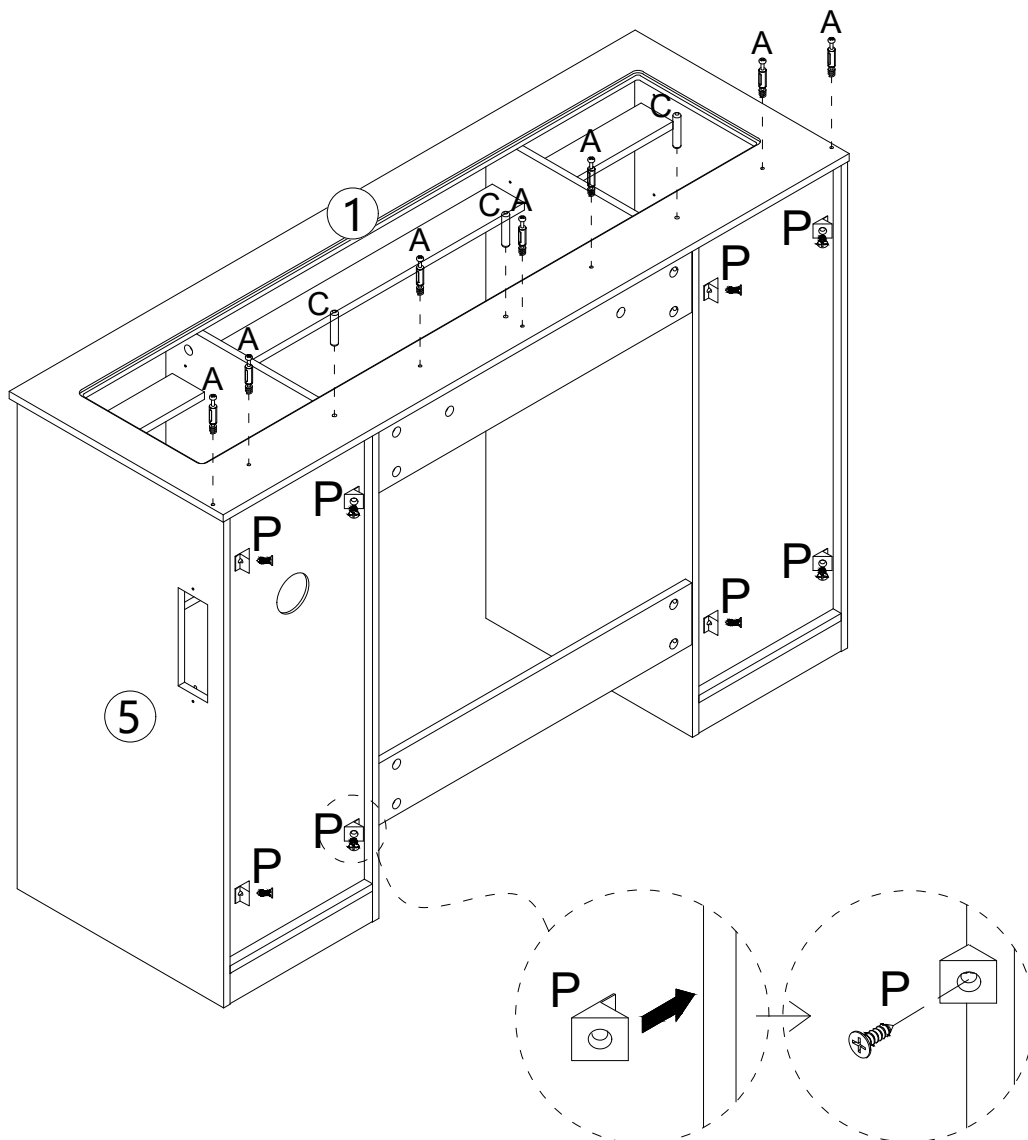
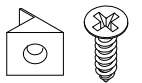
A 7PCS



C 3PCS

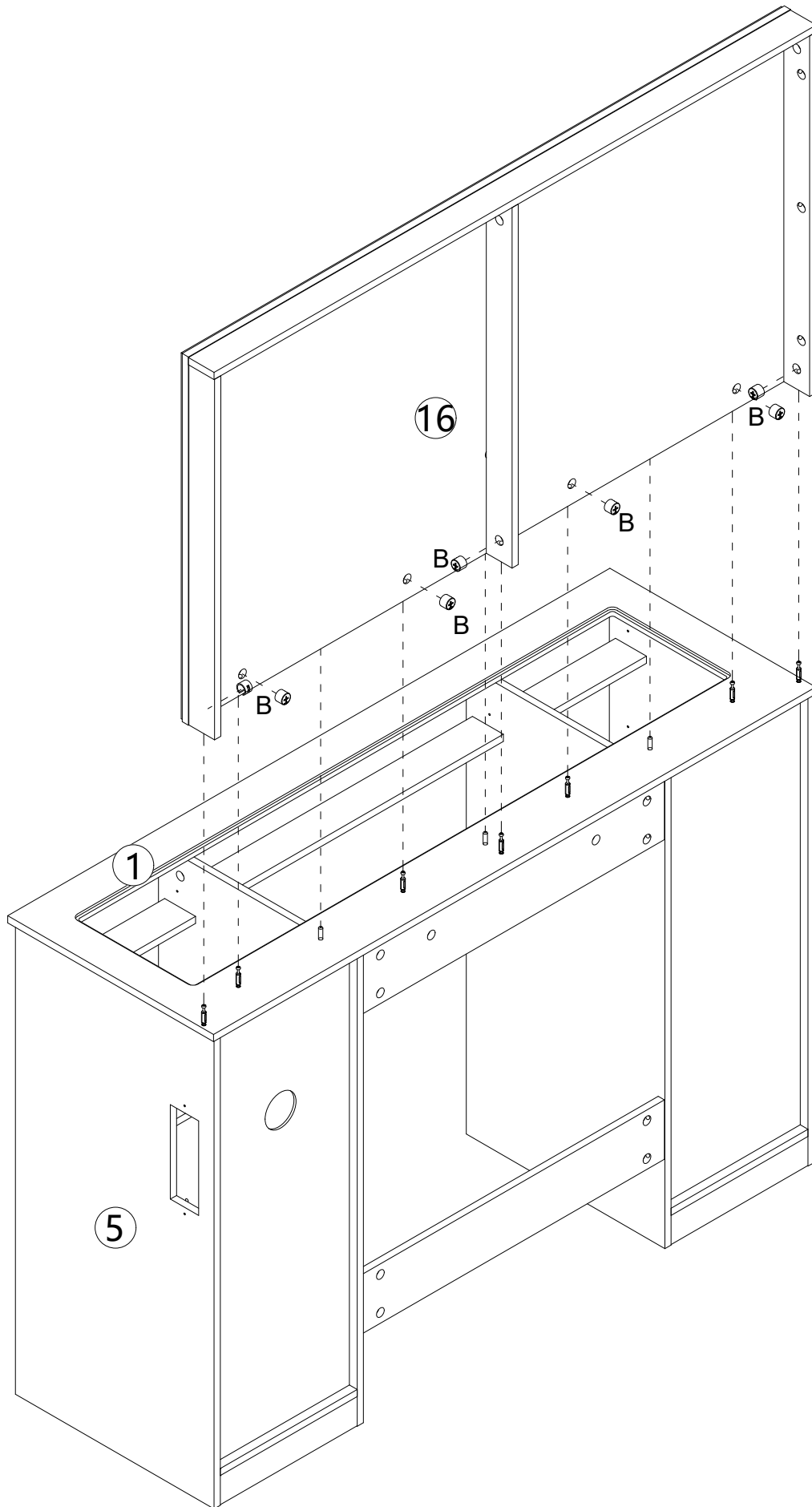


P 8SETS

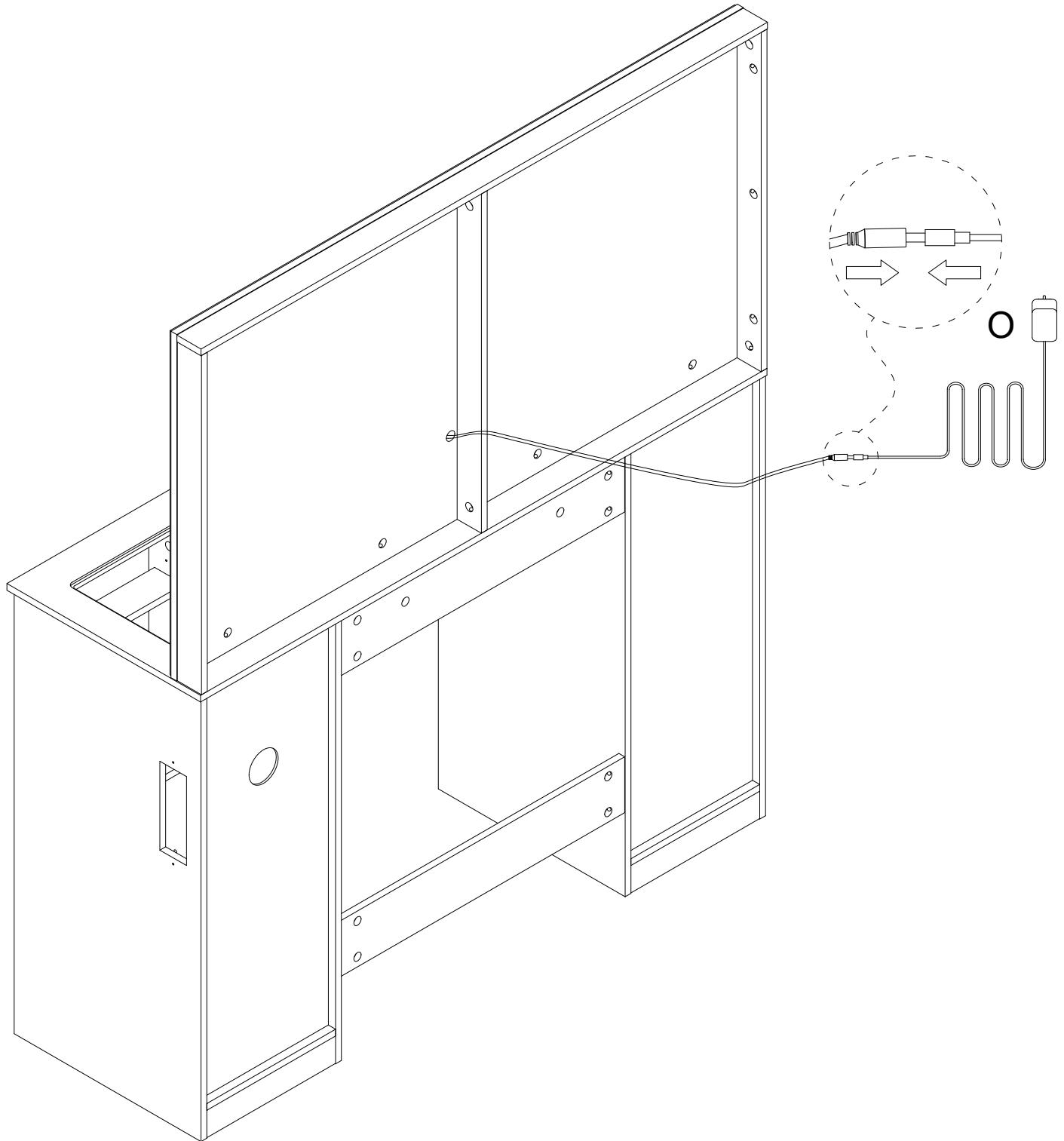
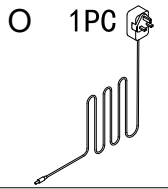


## STEP 16

B 7PCS

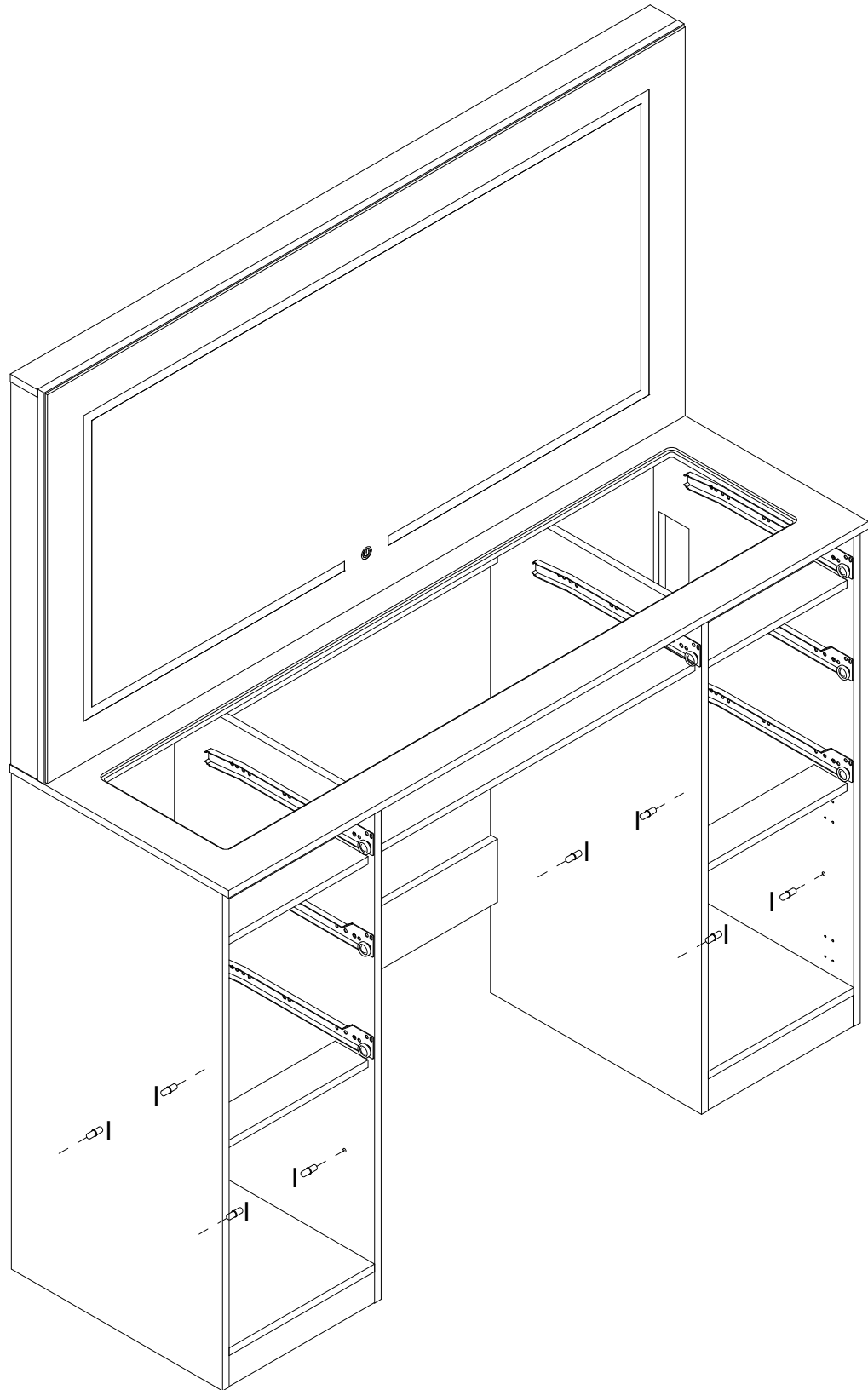


## STEP17

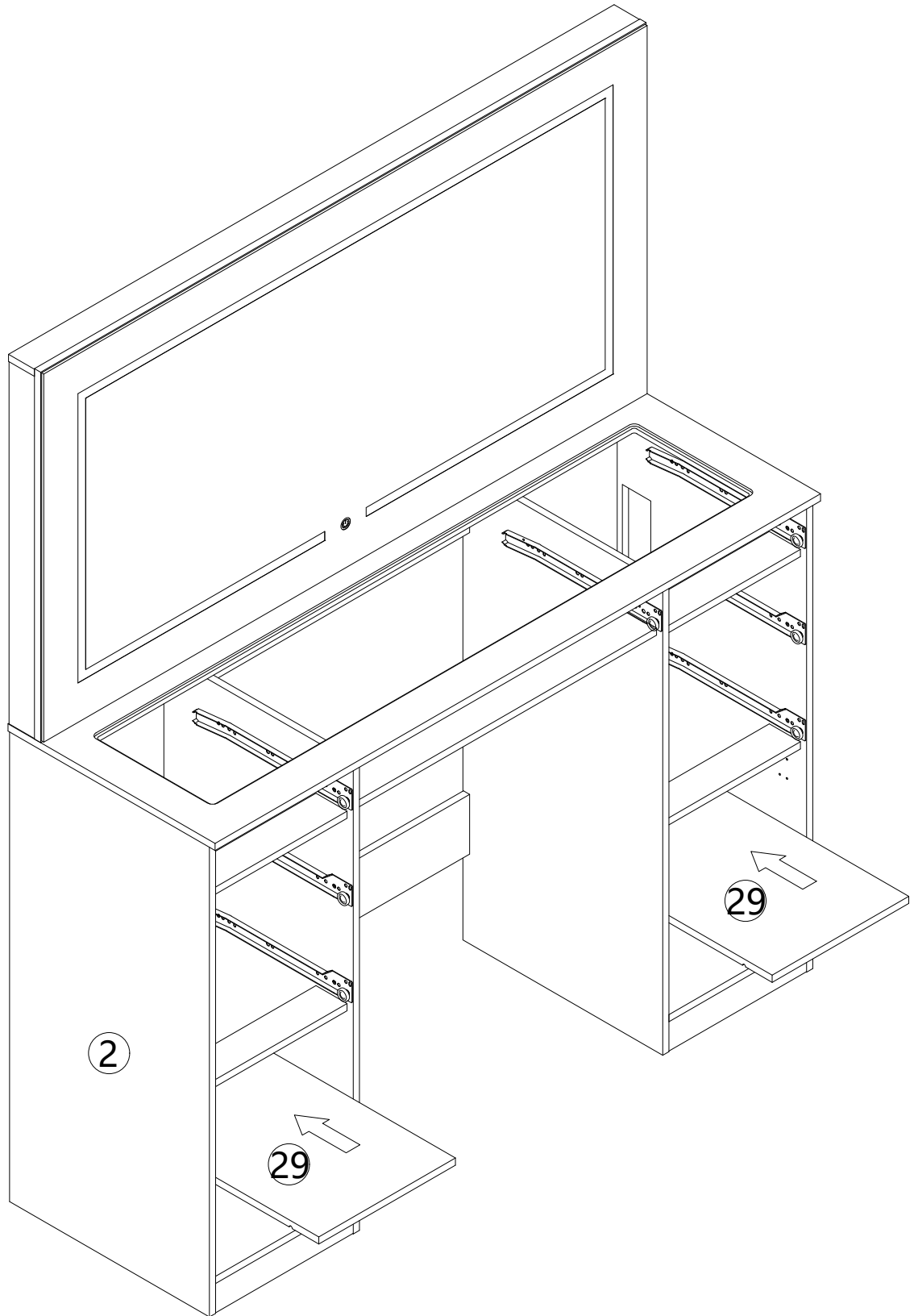


## STEP18

I 8PCS

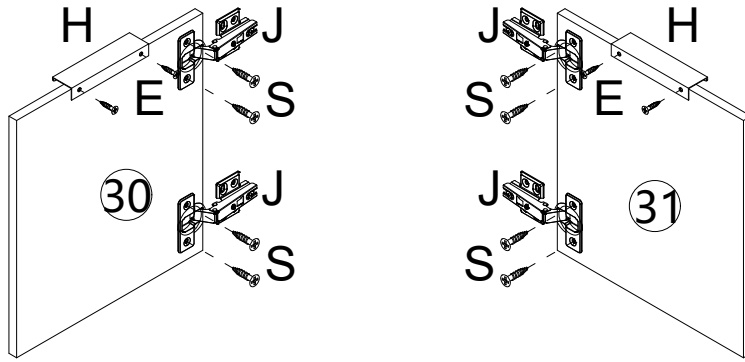




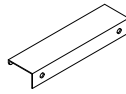
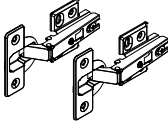
## STEP 19



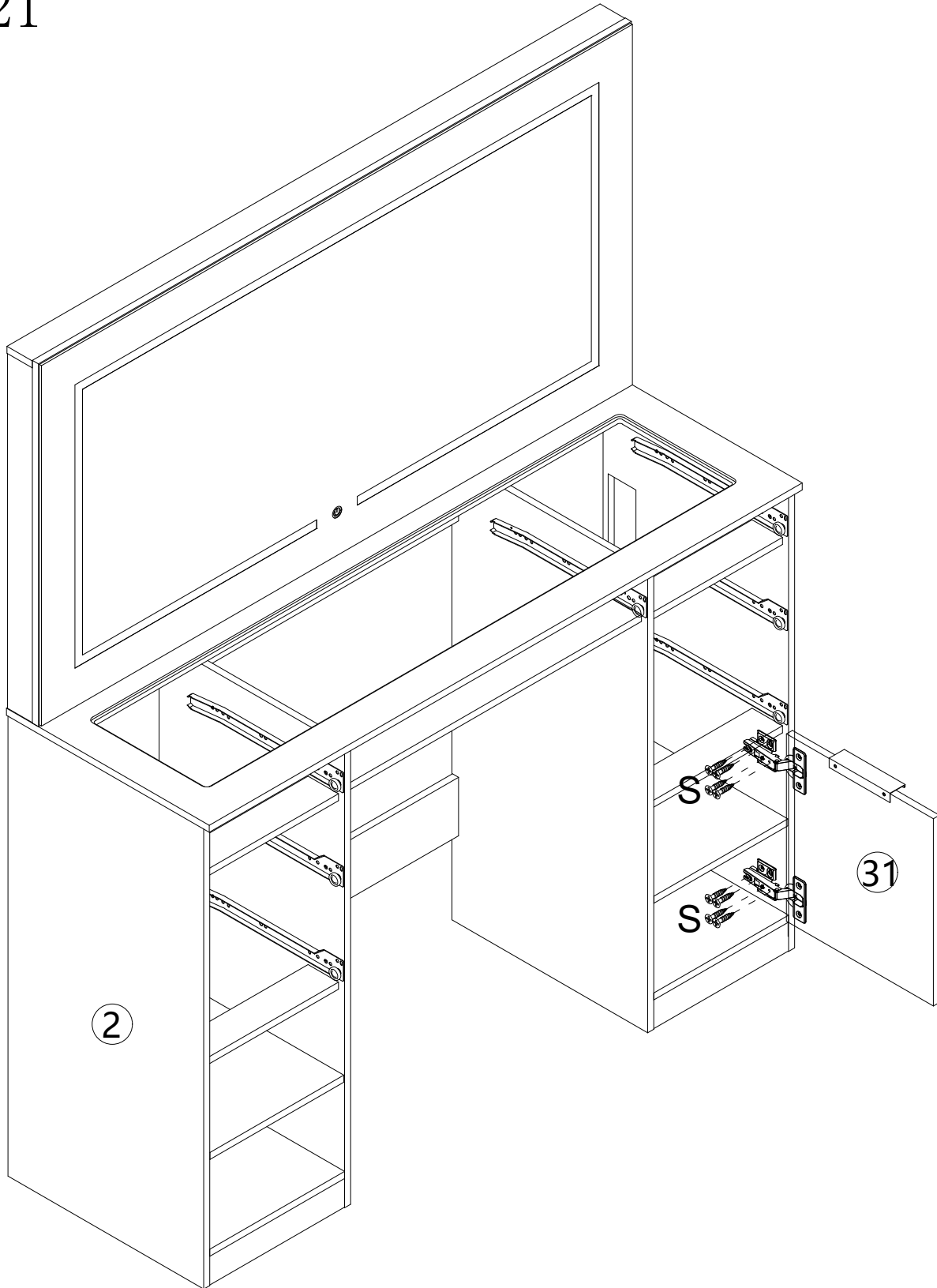
# ASSEMBLY INSTRUCTION


## STEP20



E 4PCS 	S 8PCS 
H 2PCS 	J 2SET 

## STEP21



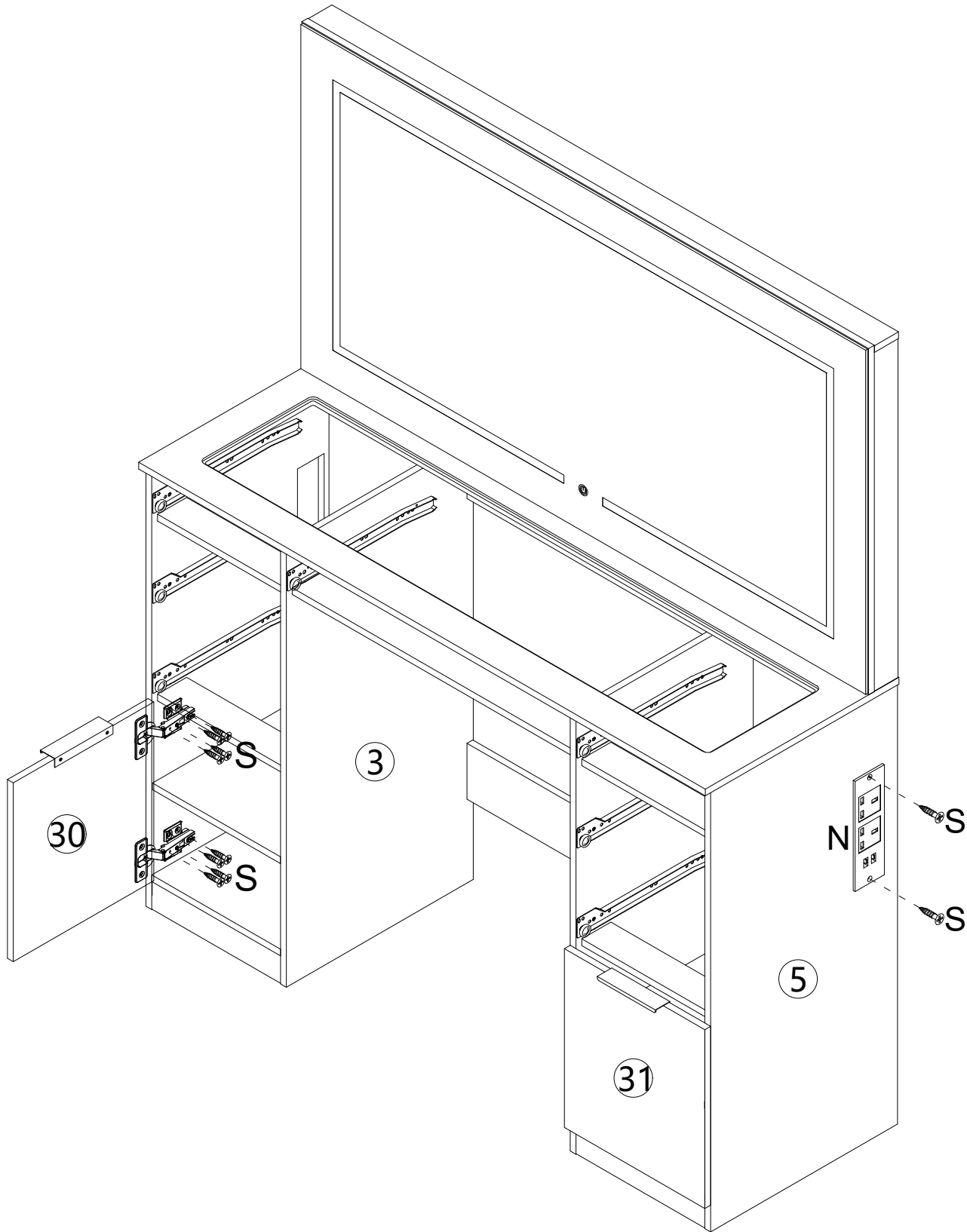
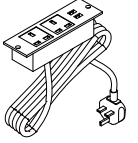
S 8PCS 
---

## STEP22

S 10PCS



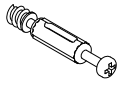
N 1PC



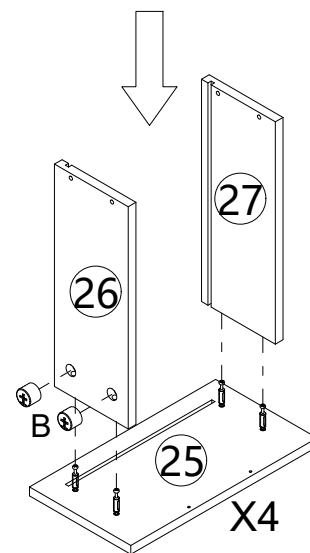
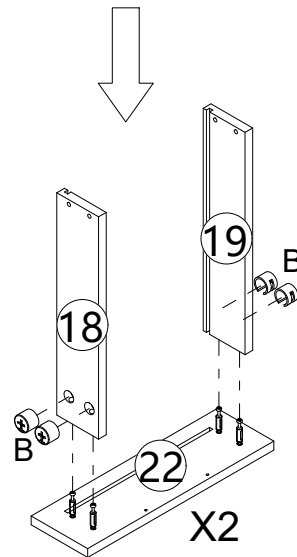
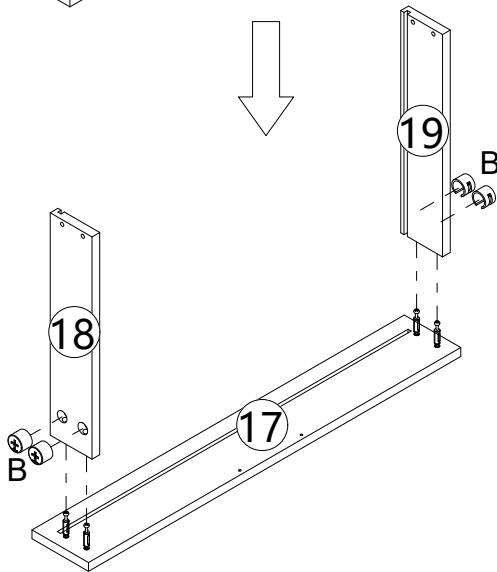
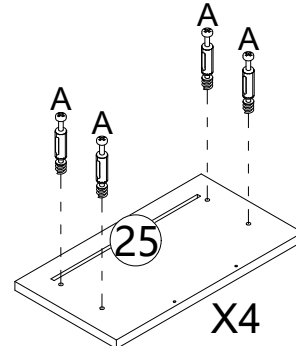
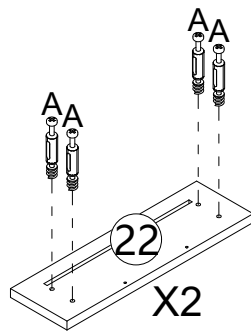
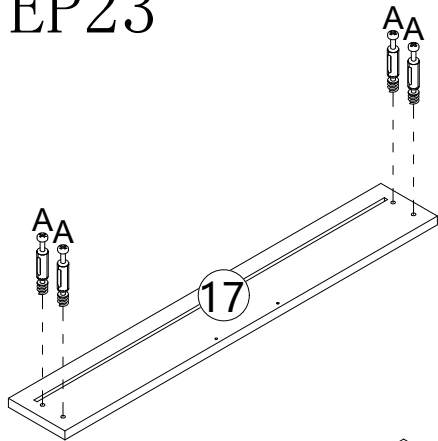
# ASSEMBLY INSTRUCTION

## STEP23

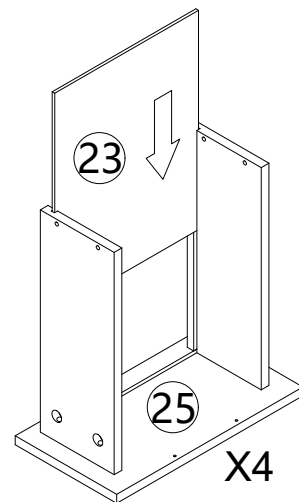
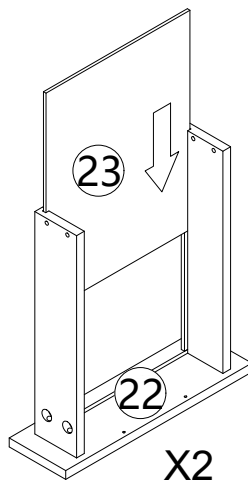
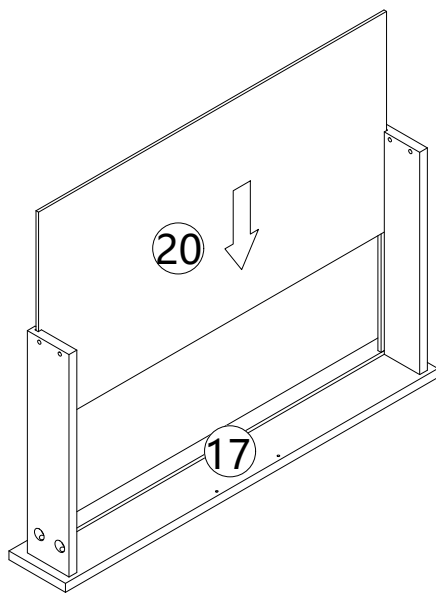
A 28PCS



B 28PCS



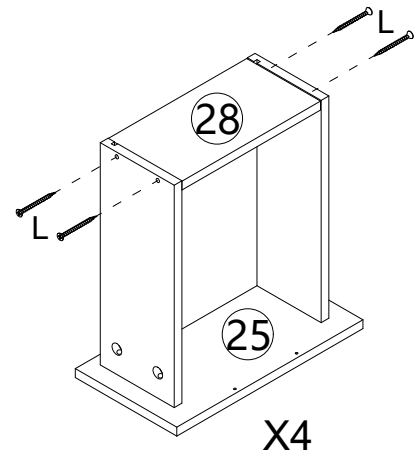
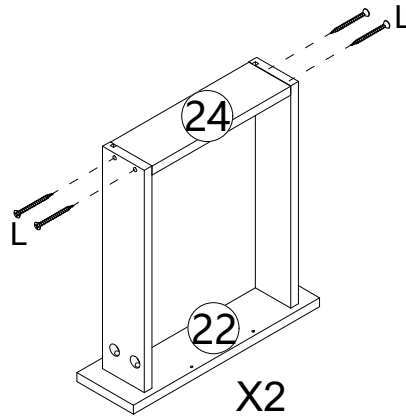
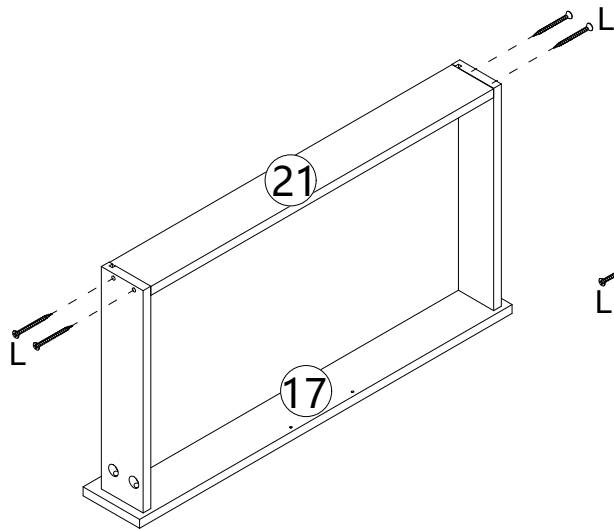
## STEP24



# ASSEMBLY INSTRUCTION

## STEP25

L 28PCS

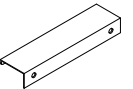


## STEP26

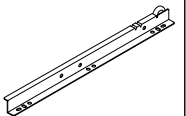
E 6PCS



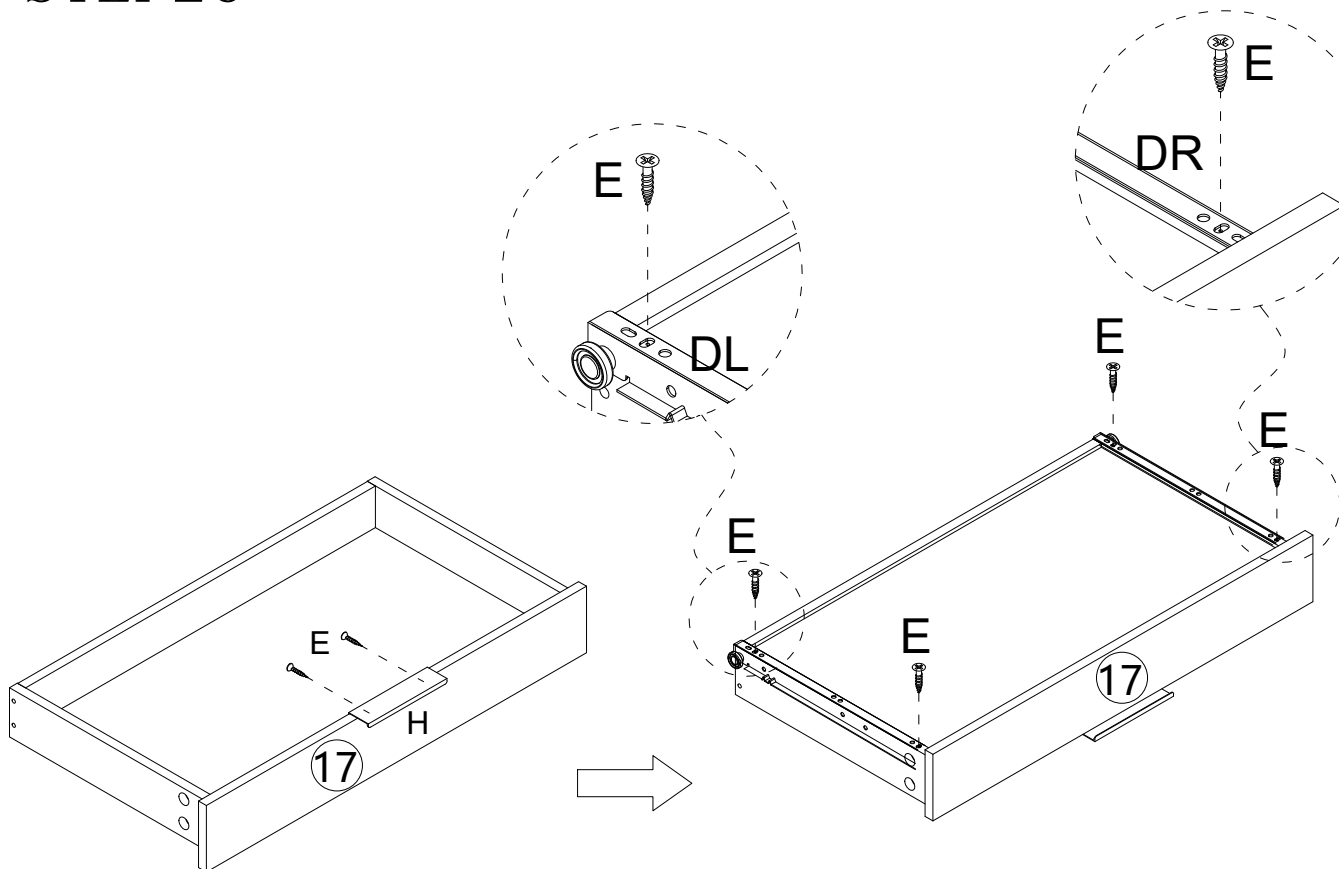
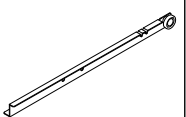
H 1PC



DL 1PC

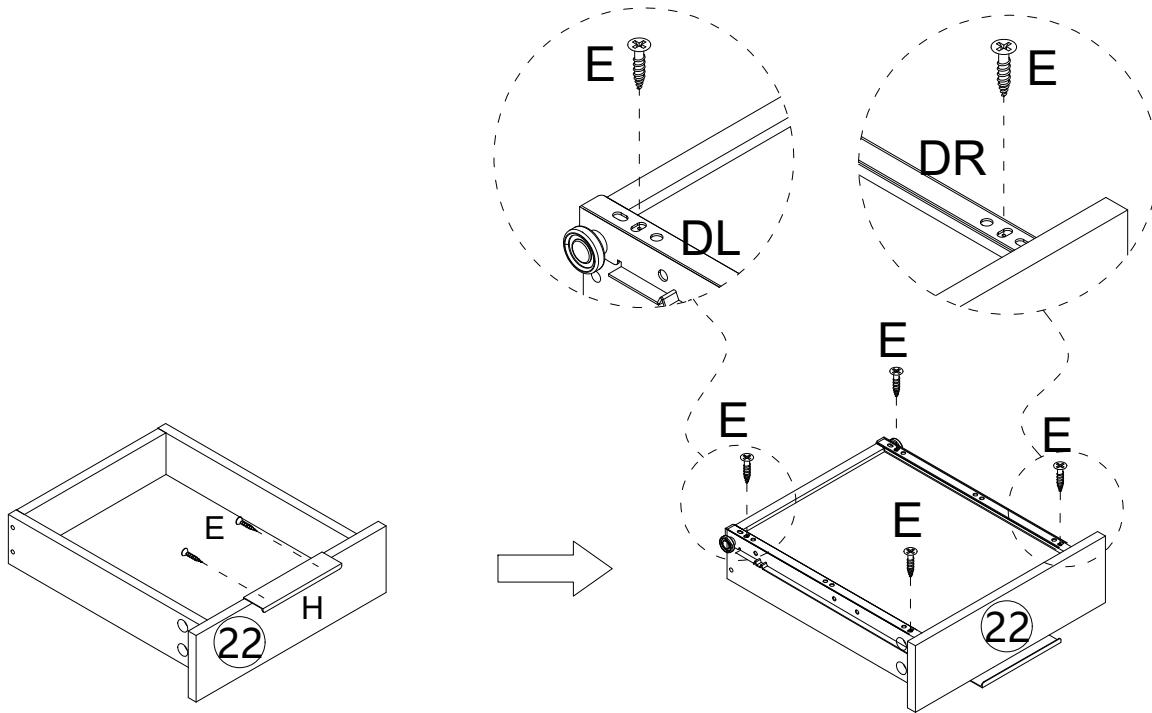


DR 1PC



# ASSEMBLY INSTRUCTION

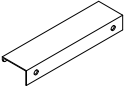
## STEP27



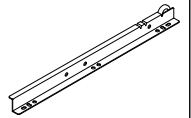
E 12PCS



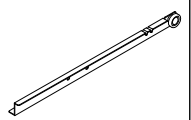
H 2PCS



DL 2PCS

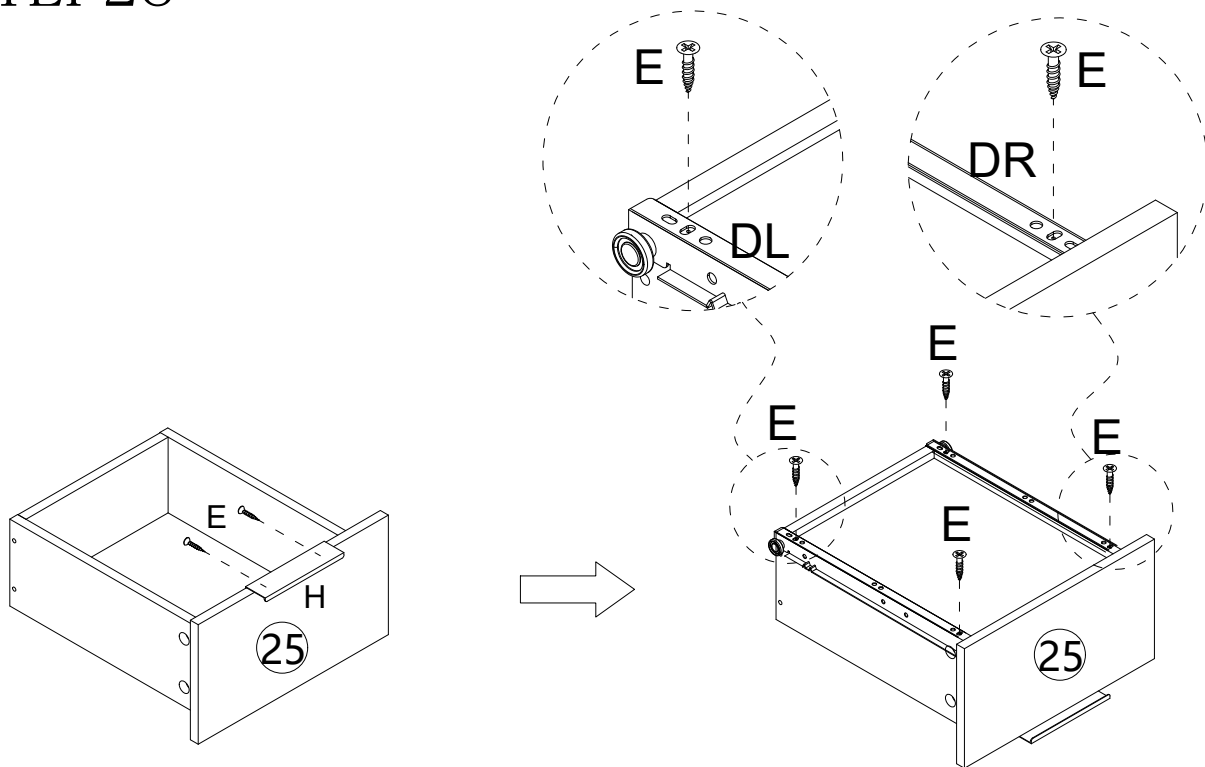


DR 2PCS



# X2

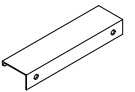
## STEP28



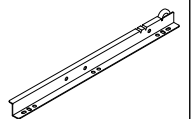
E 24PCS



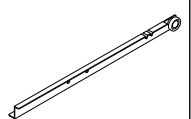
H 4PCS



DL 4PCS

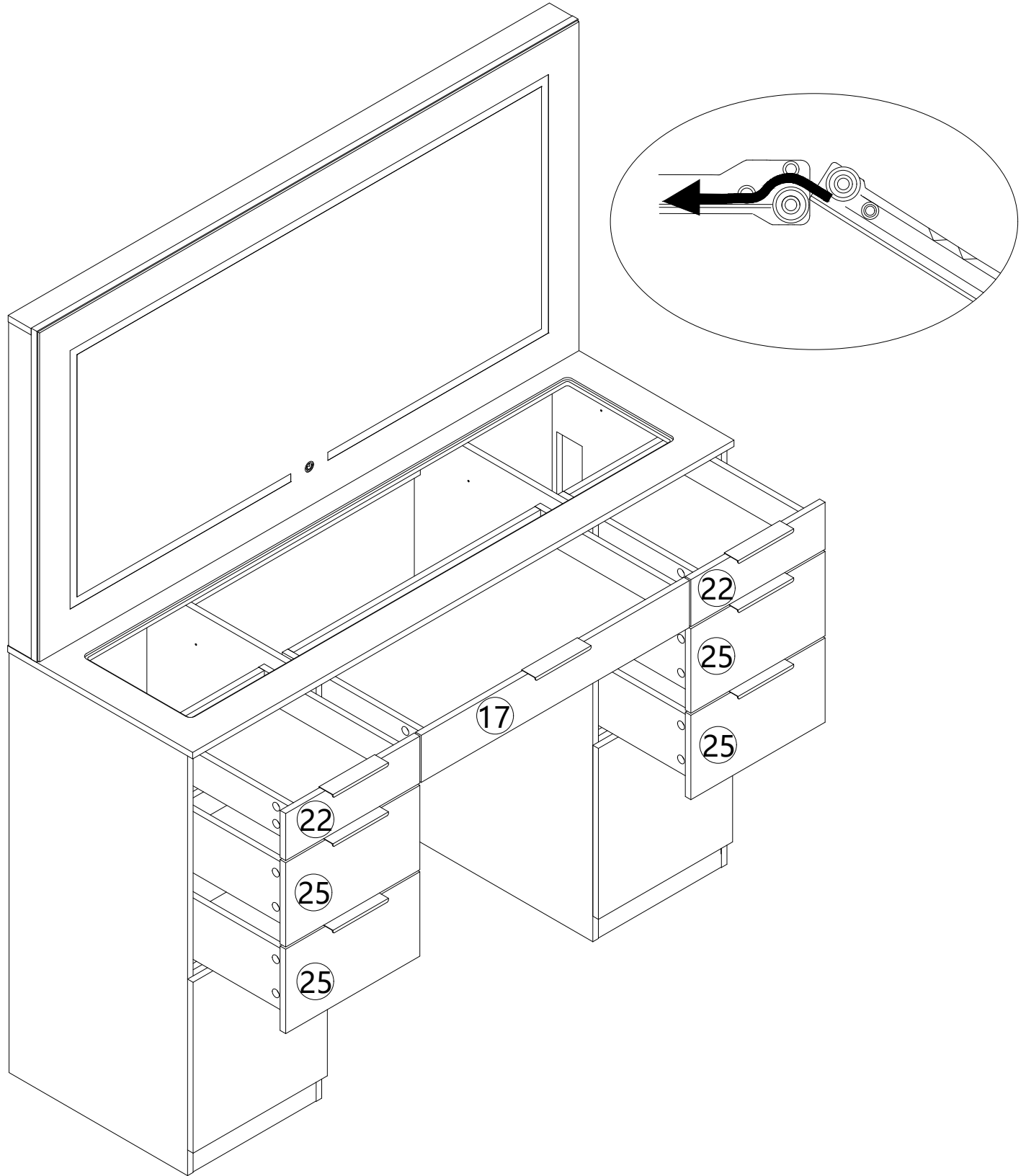


DR 4PCS

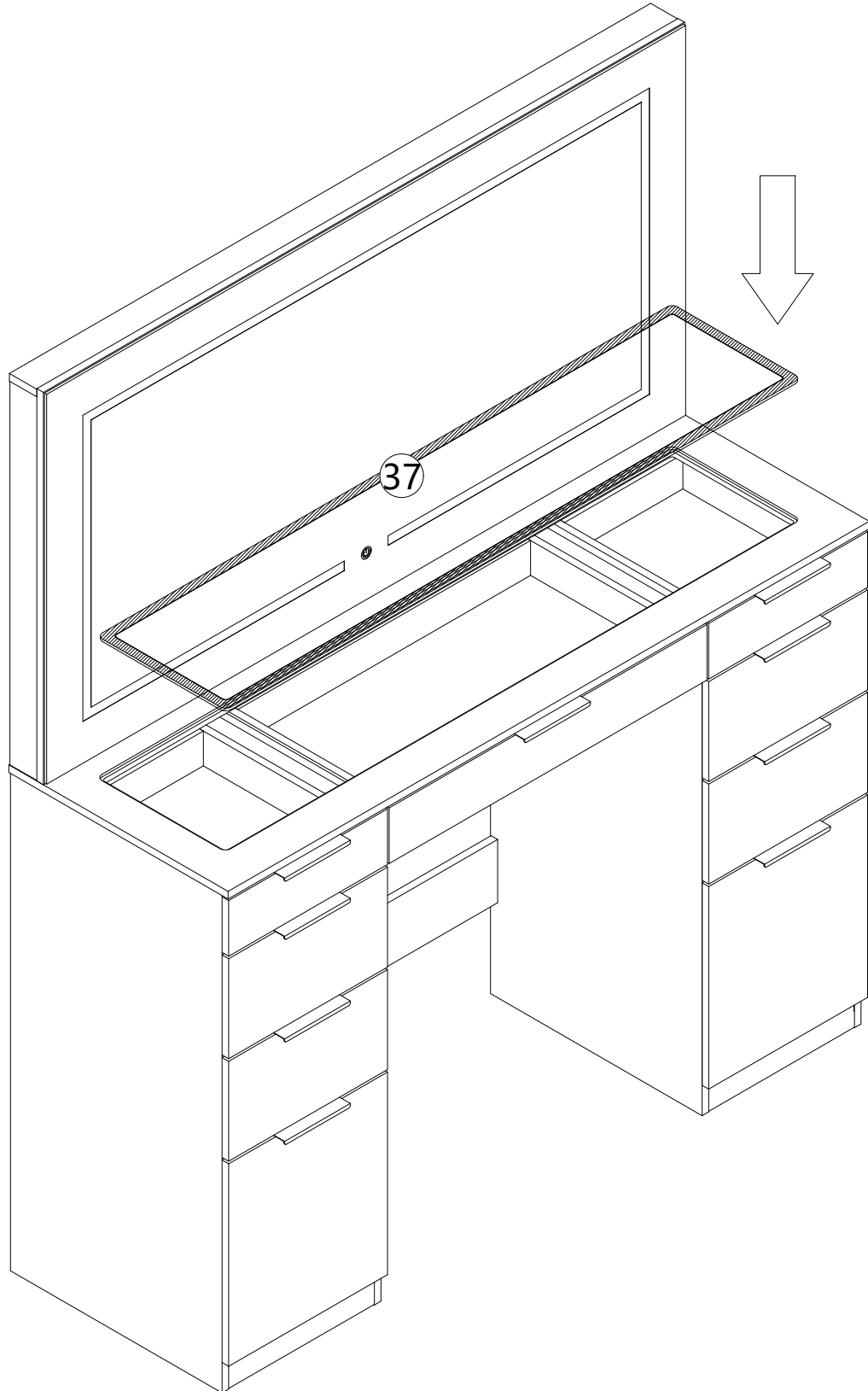


# X4

## STEP 29

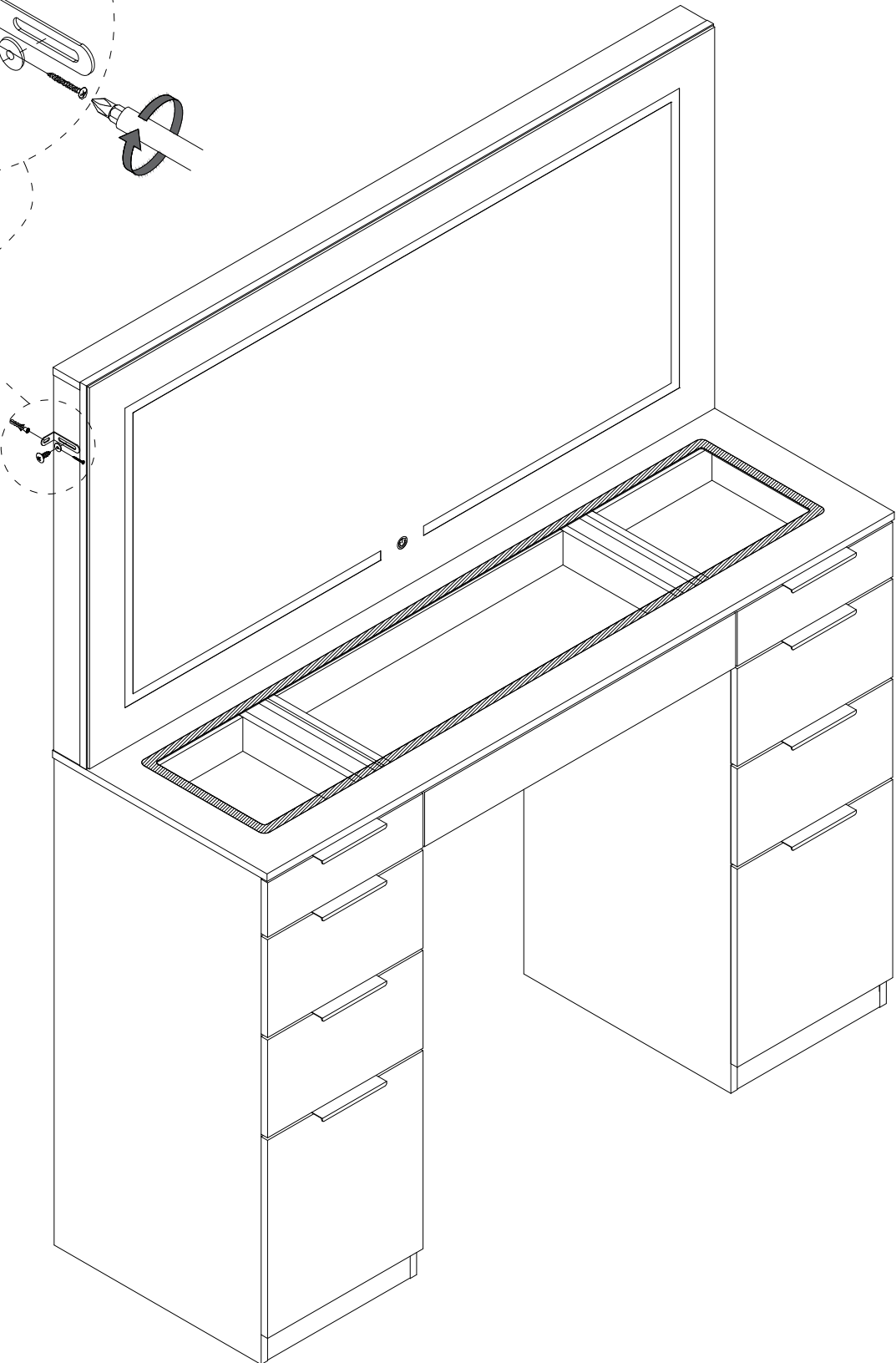
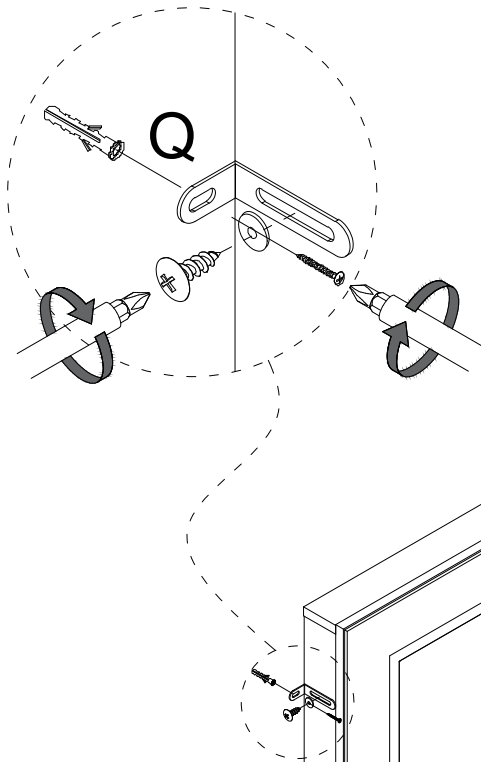


## STEP 30



## STEP31

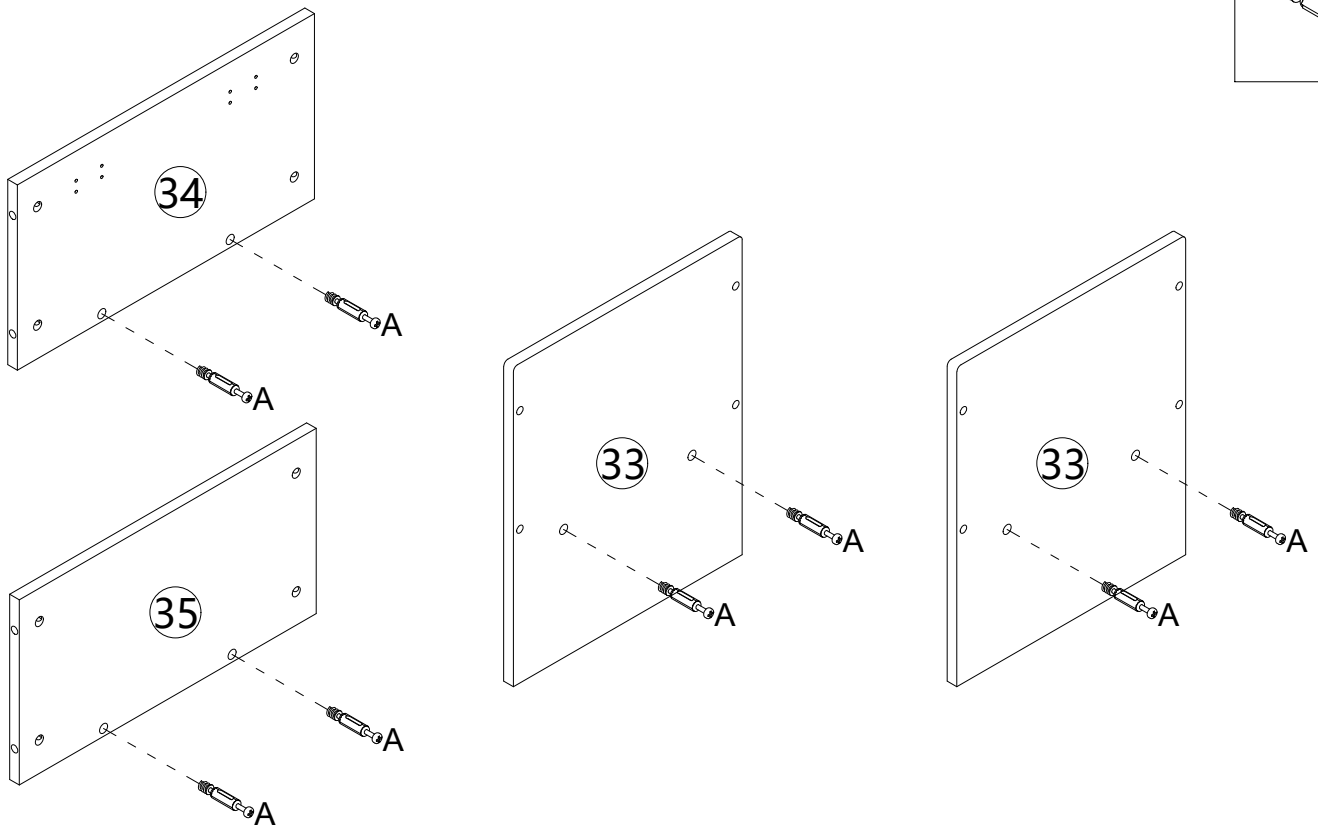
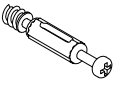
Q 1SET



# ASSEMBLY INSTRUCTION

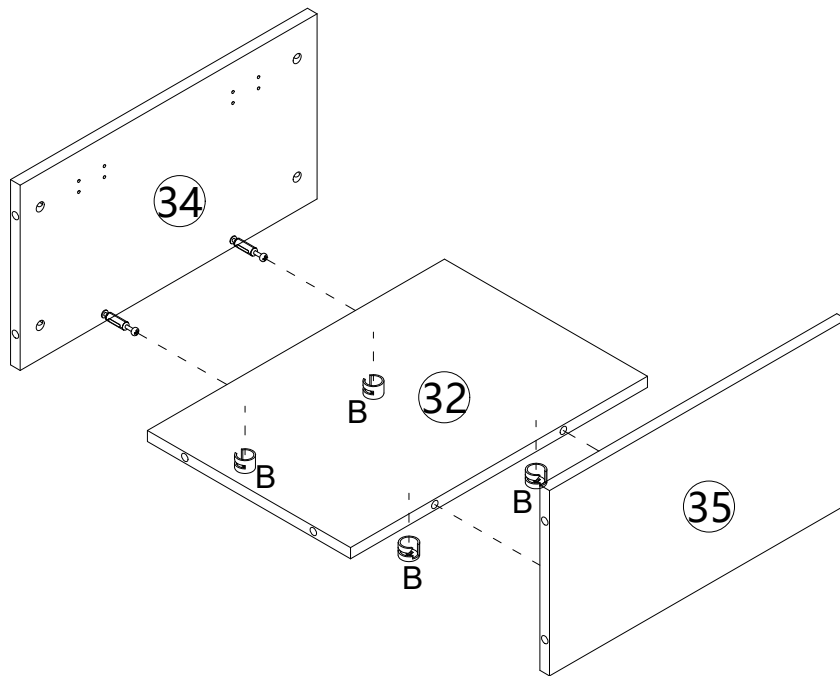
## STEP32

A 8PCS



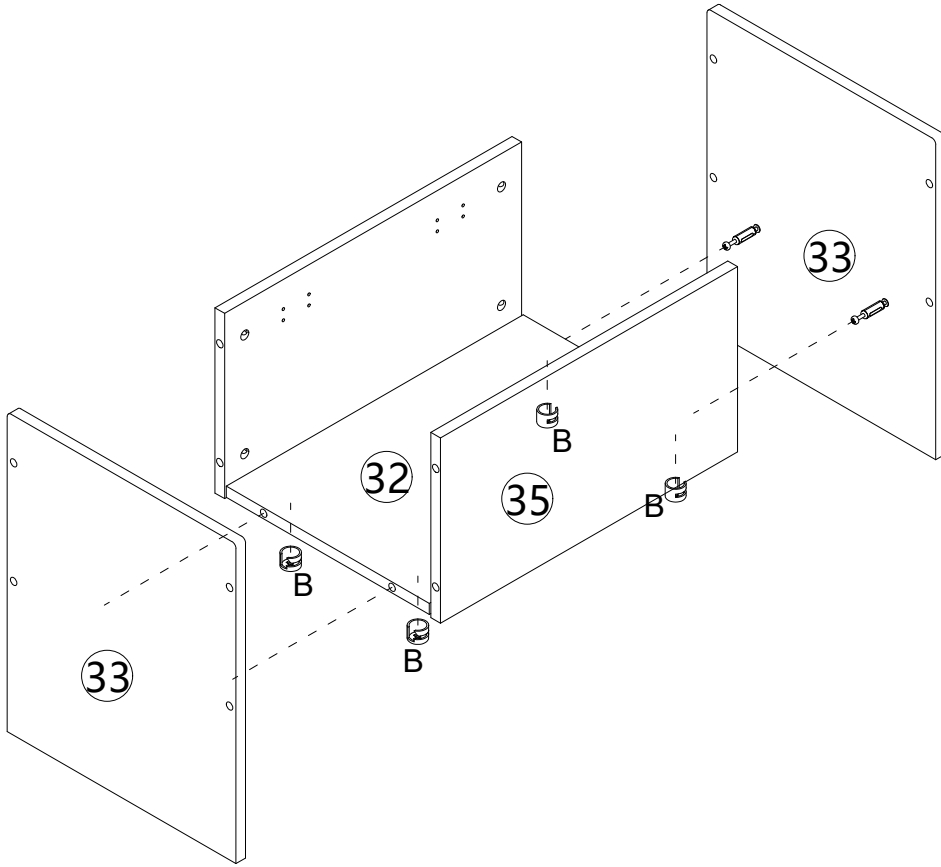
## STEP33

B 4PCS



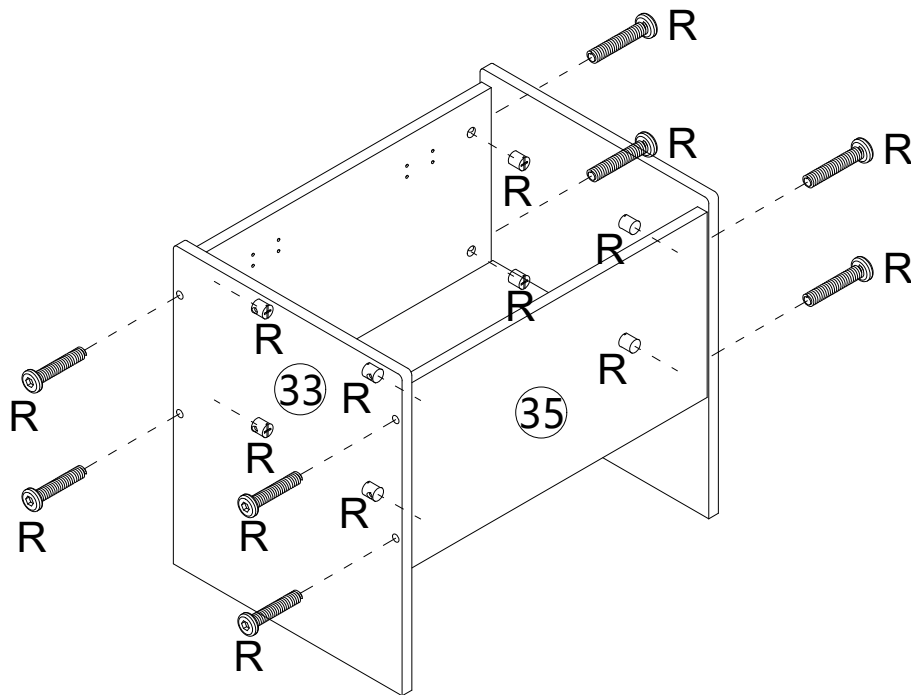
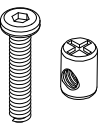
## STEP34

B 4PCS

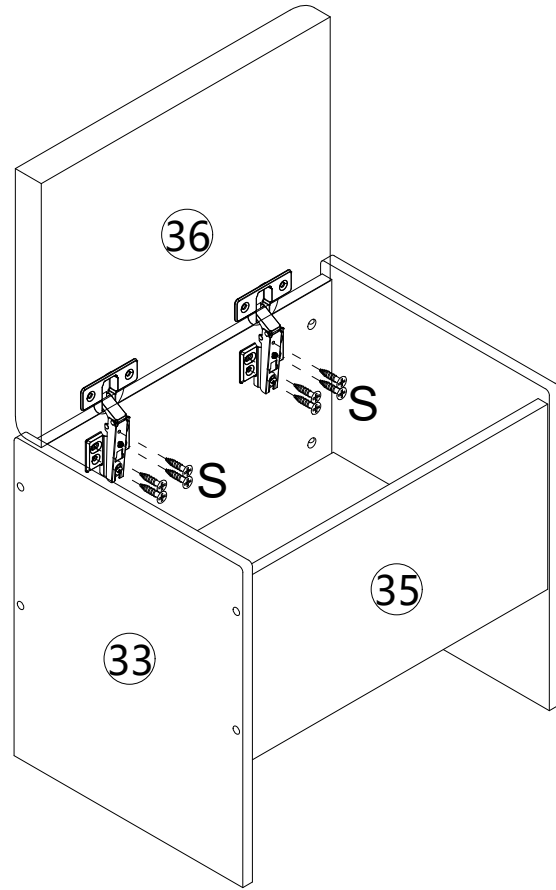
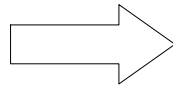
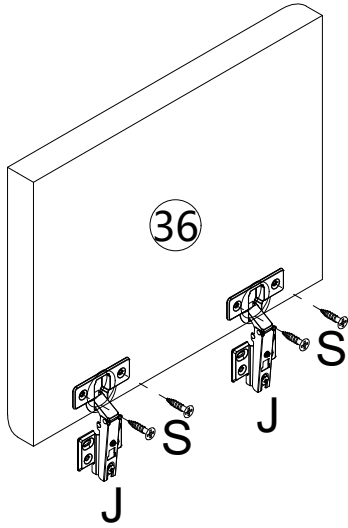


## STEP35

R 8PCS



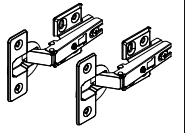
## STEP36



S 12PCS



J 1SET



## STEP37

