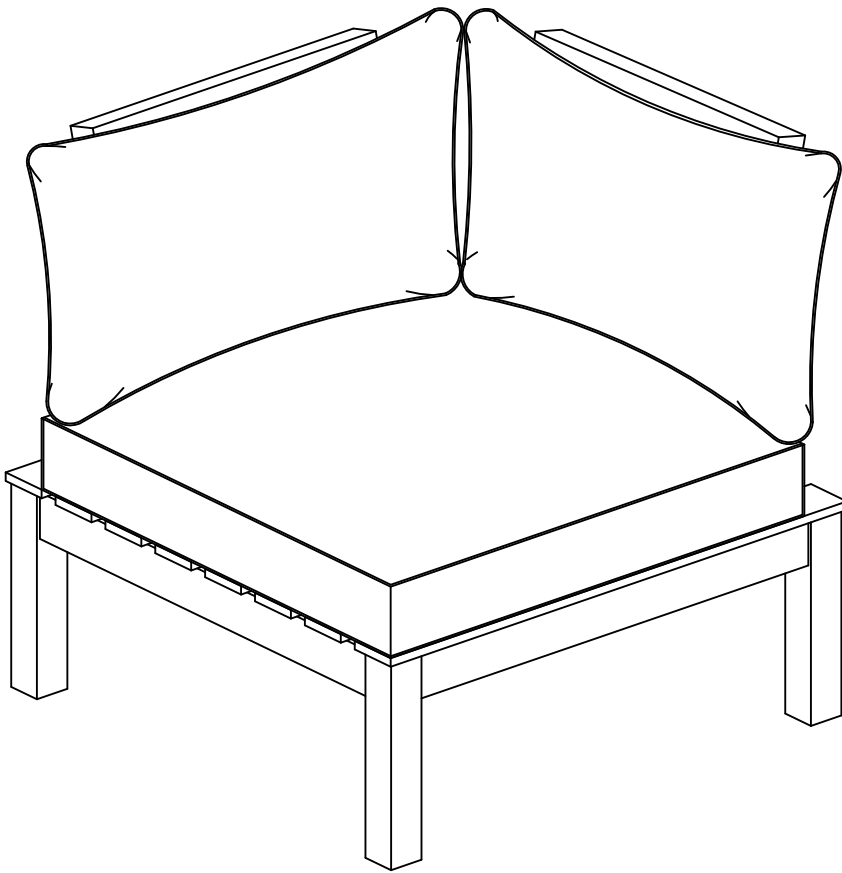


Assembly Instructions

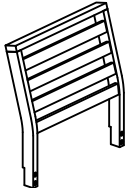
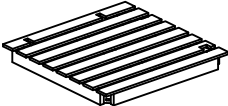

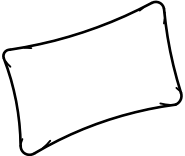
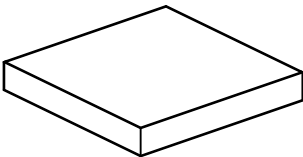
CORNER CHAIR

CAUTION: You must read this before you proceed.








CAUTION: This Corner Chair is NOT a TOY.
Keep your child / children at bay in the process of assembly.
For turning the Corner Chair and to prevent damage to the Corner Chair, 02 persons may be needed to execute this action.

Parts List

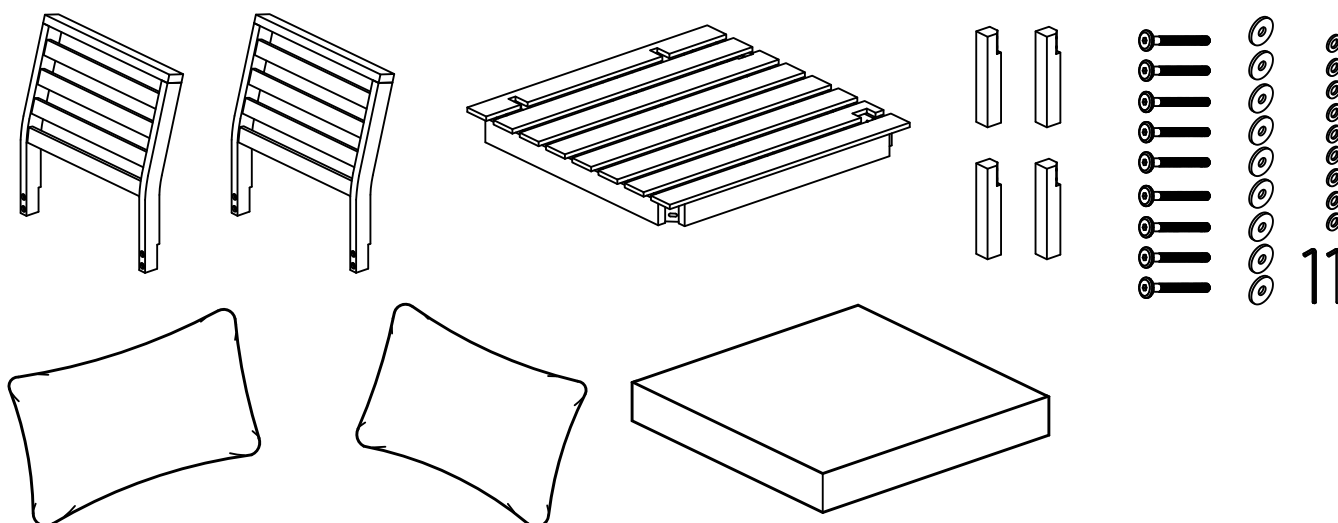
No.	Picture	Description	Qty
C		Backrest Panel	2
D		Seat Panel	1
E		Leg	4
F		Back Cushion	2
G		Seat Cushion	1

Hardware

Label	Picture	Description	QTY
⑤		Bolt (M8 x 55mm)	9
⑥		Bolt (M6 x 50mm)	9
⑦		Spring Washer (8.5/13x2mm)	9
⑧		Flat Washer (8.5/19x2mm)	9
⑨		Allen Key (4)	2

Assembly Preparation

Before Beginning Assembly:



Read instructions, cover to cover.



Have 2 adults on hand for assembly.



Do not assemble on flooring or carpet.

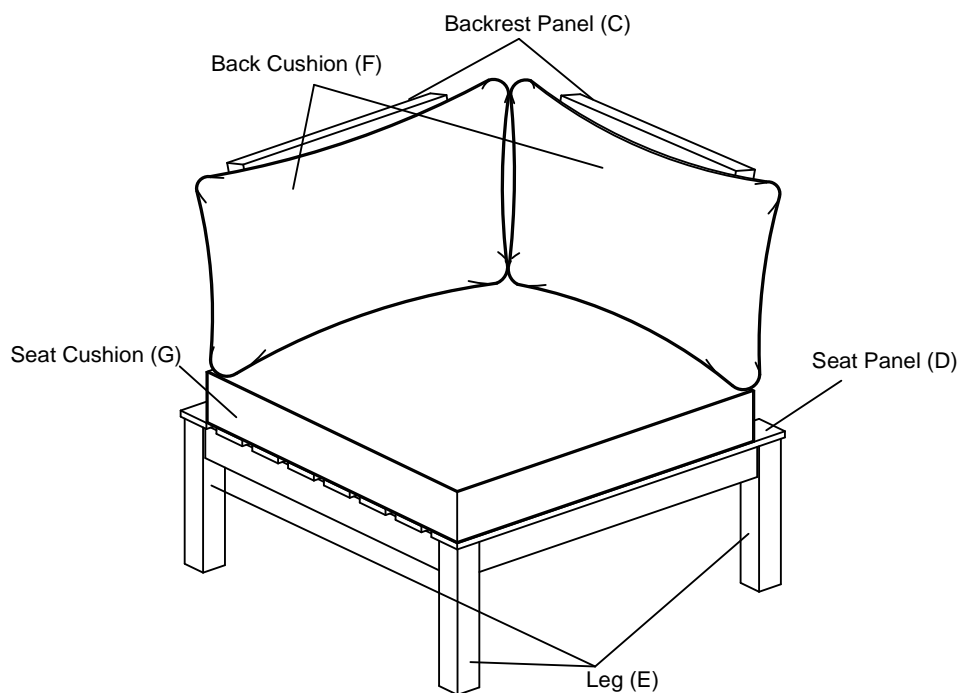


Assemble on a clean non-marring surface (packing foam).



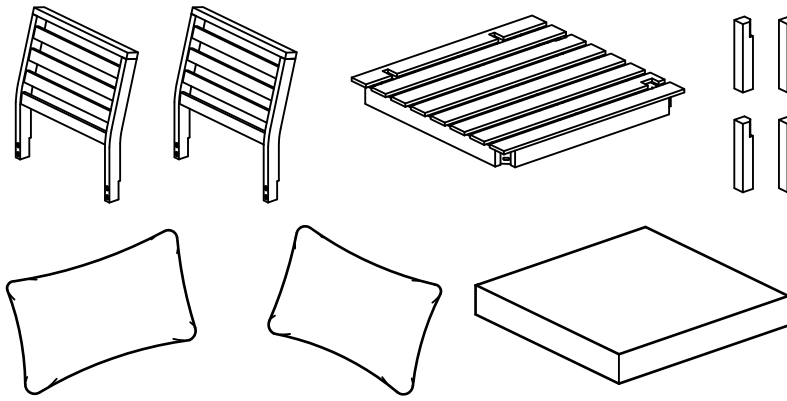
Save all packaging until finished.

Assembly Steps



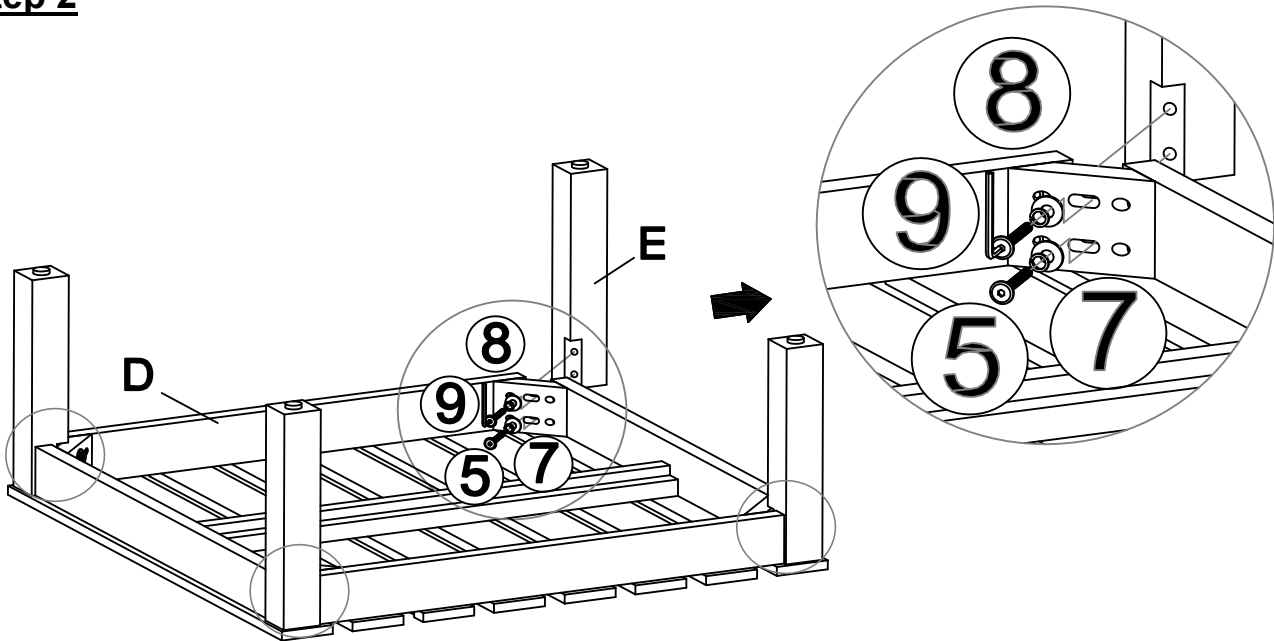
This Corner Chair has multiple parts and may require up to 30 minutes to assemble. To give you an overview of the Corner Chair parts, the above picture is to help you put the various parts into perspective. Please read through the instructions herebelow to familiarise the parts and steps before assembly.

Step 1



Unpack and place all parts on a clean, non-marring surface.

Step 2

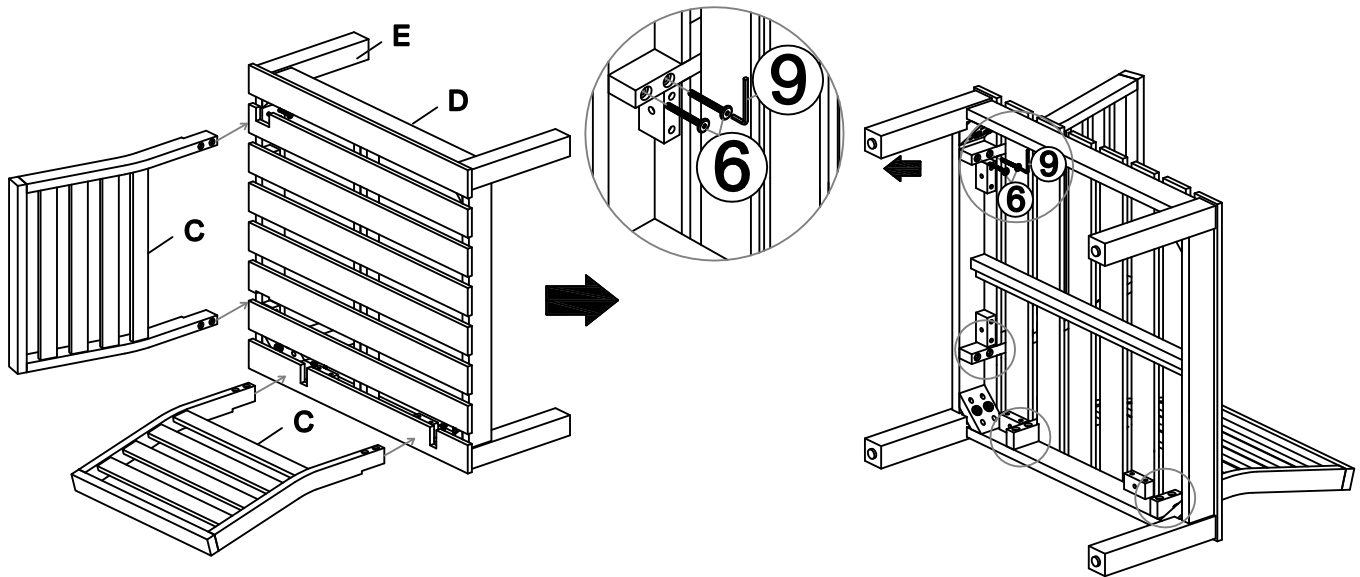


Place the Seat Panel (D) facedown on a clean, non-marring surface as shown above
Attach the Leg (E) to Seat Panel (D) by using Flat Washer (8), Spring Washer (7), Bolt (5) and Allen Key (9).

Repeat the same process with the remain Legs (E)

Do not fully tighten the Bolts

Step 3

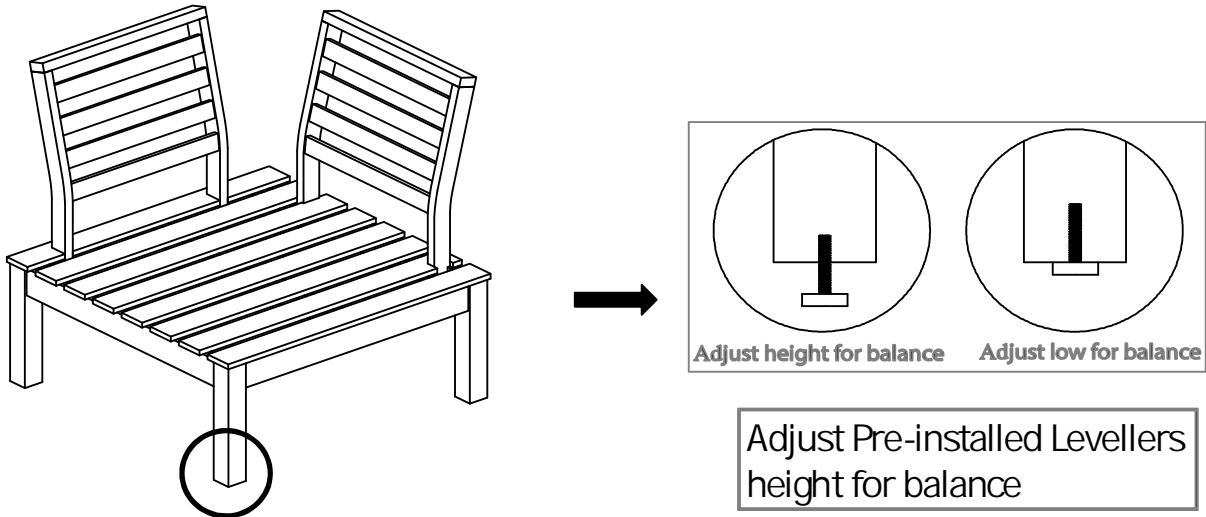


Stand up the assemble in step 2, then attach the Backrest Panel (C) into the assemble in step 2 by using Bolt (⑥) and Allen Key (⑨) as shown above.

Repeat the same process with the remain Backrest Panel (C)

Do not fully tighten the Bolts

Step 4



Place the Chair onto a flat, level surface.

Then EXERT pressure, floorwards onto the Chair with both hands.

This pressure will help the Chair reach full alignment at all joints.

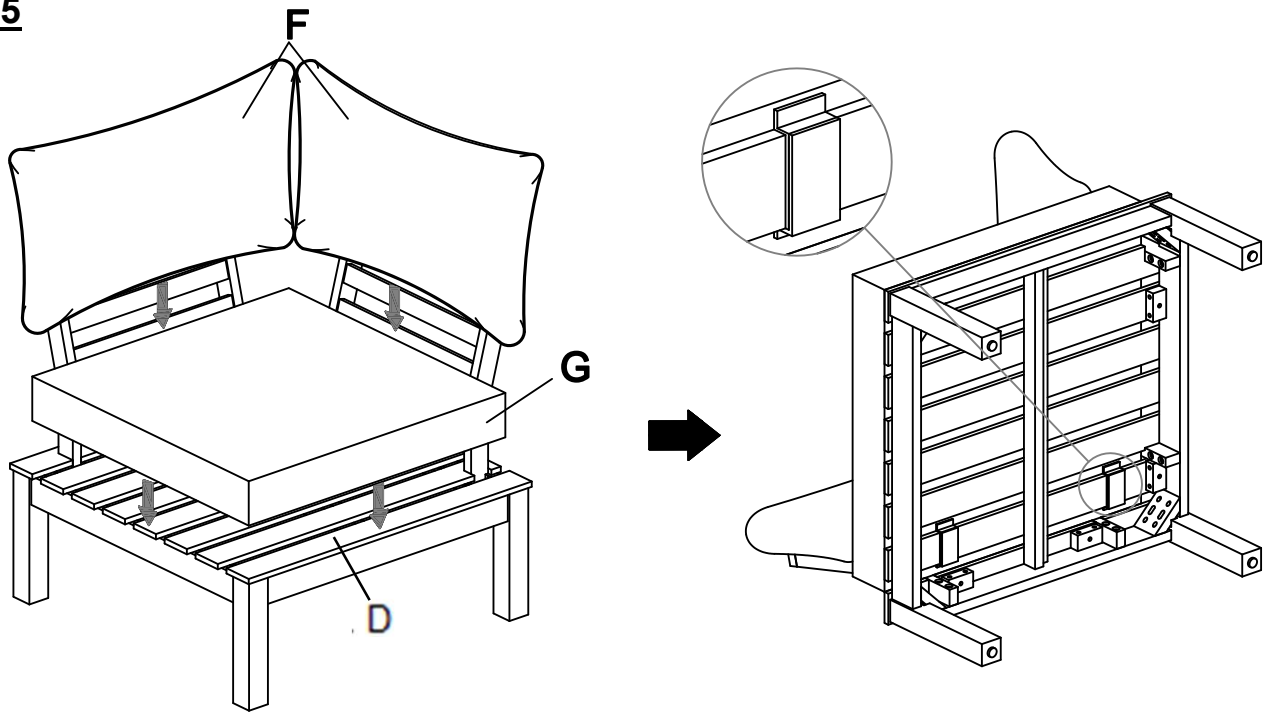
In a sequential manner, gradually tighten all Bolts at all joints until evenly secured.

Inspect the Chair and make sure all parts are adequately connected.

Adjust the Levellers until the Chair is level with the ground.

To adjust the Levellers, get assistance from an adult partner to lift/lean and hold the Chair while you are working.

Step 5



Place Seat Cushion (G) and Back Cushion (F) to Seat Panel (D).

Turn the Chair right side up.

Tie the velcro straps on the Seat Cushion (G) to the Seat Panel (D) as show above

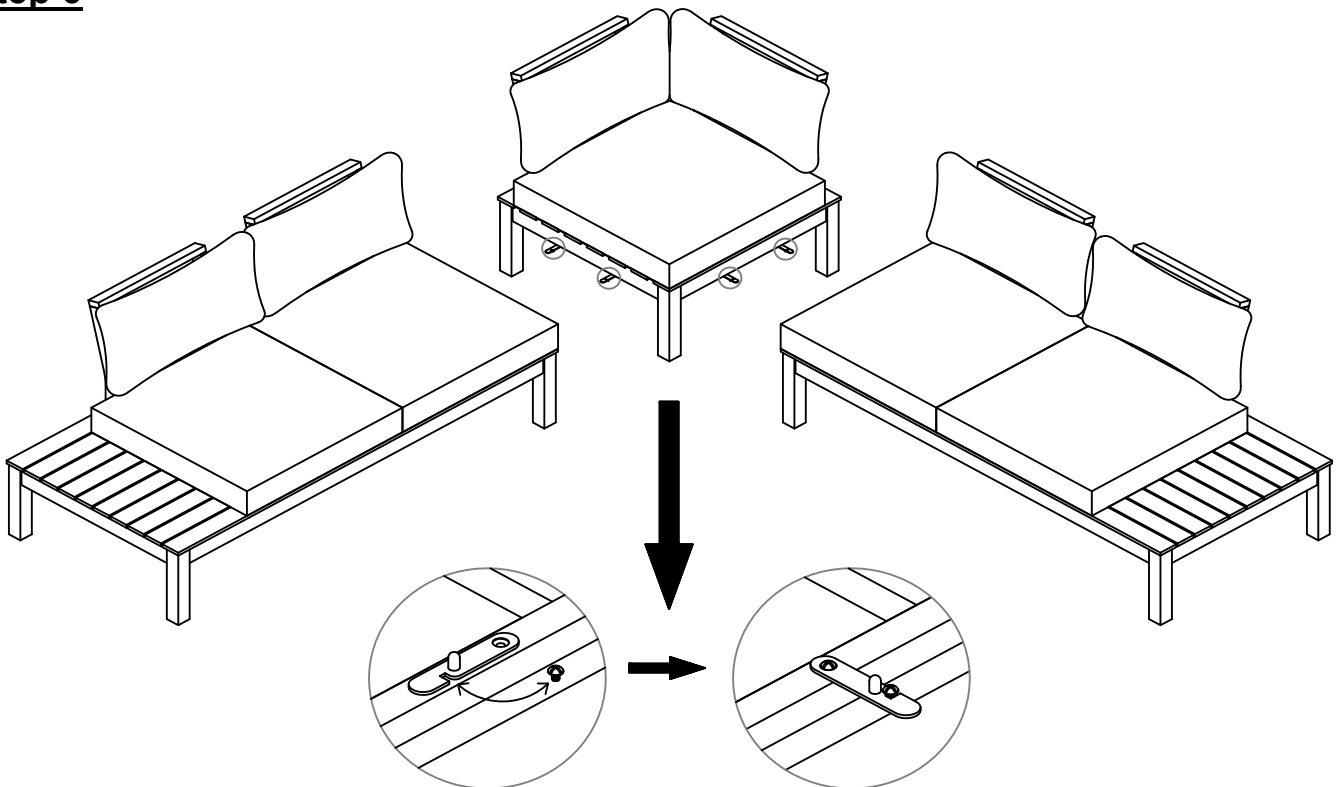
Inspect it and make sure all parts are adequately connected.

Ensure all screws, bolts are fully locked into position and secured.

Your Corner Chair is ready for use.

Caution: This Corner Chair can only be used on a flat, level surface.










Step 6



Note: This is on optional step in case you want to connect all love seats and corner chair in a set together and should be done before placing cushion.

With assistance from your adult partners, up side down the love seats and corner chair and using pre-fixed clip to connect the love seats and corner chair together.

Care & Maintenance

-  ● Do not put hot items directly on furniture surface
-  ● Do not clean furniture with harsh cleansers or polish.
-  ● To obtain the longest lifespan of your outdoor products, minimizing exposure to direct sunlight is recommended.
-  ● Children should not climb or jump on the furniture.
-  ● Do not write on furniture without a padded barrier to protect the surface.
-  ● To obtain the longest lifespan of your outdoor products, avoid extended and lengthy exposure to rain, snow, and direct sunshine. Whenever possible cover the product and /or place under patio or awnings.
-  ● Not for commercial use. For residential use only .
-  ● Stains may be removed with mild soap solution and damp cloth.
-  ● Dust and pick-up spills using a clean, non-colored, lint-free cloth.