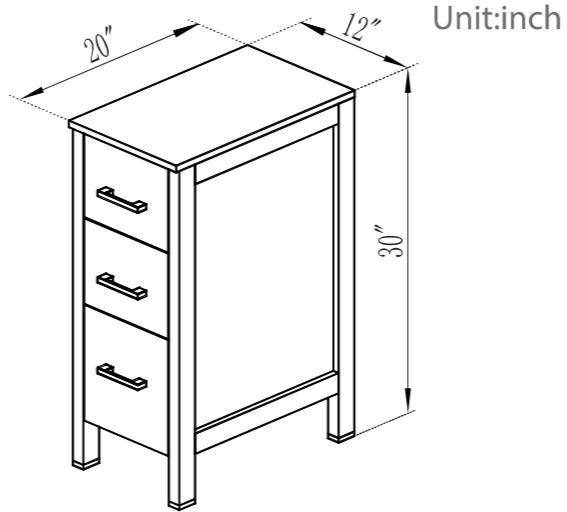




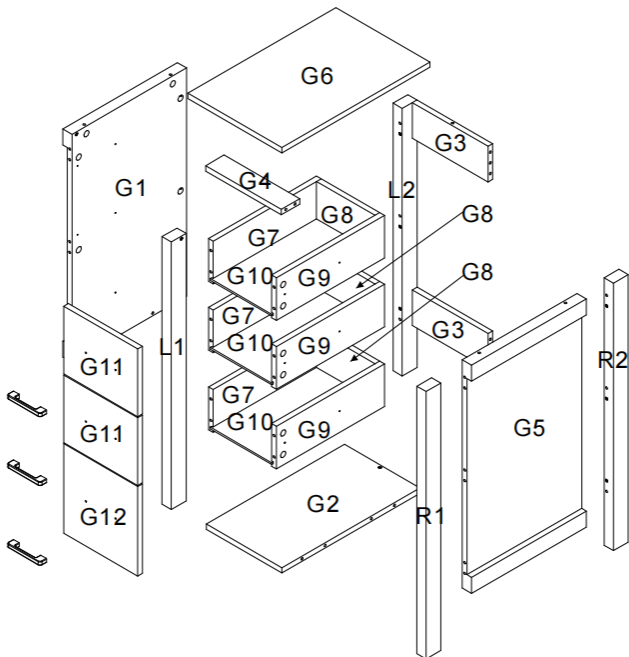
INSTALLATION INSTRUCTIONS

*Only including single side cabinet which with 3 drawers

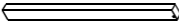
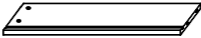
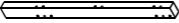

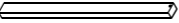

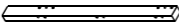




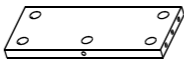


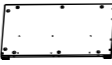








DIMENSIONS



ASSEMBLY DIAGRAM

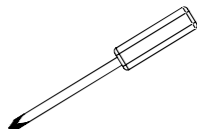
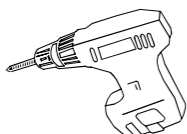


PARTS LIST

| PARTS LIST | | | HARDWARE LIST | | |
|------------|---|-----|---------------|---|-----|
| NO. | DESCRIPTION | QTY | NO. | DESCRIPTION | QTY |
| L1 |  | 1 | G9 |  | 3 |
| L2 |  | 1 | G10 |  | 3 |
| R1 |  | 1 | G11 |  | 2 |
| R2 |  | 1 | G12 |  | 1 |
| G1 |  | 1 | HARDWARE LIST | | |
| G2 |  | 1 | A |  CAMLOCK | 58 |
| G3 |  | 2 | B |  CAM SCREW | 58 |
| G4 |  | 1 | C |  CAMLOCK COVER | 58 |
| G5 |  | 1 | D |  WOODEN DOWEL | 22 |
| G6 |  | 1 | E |  | 6 |
| G7 |  | 3 | F |  SCREW | 36 |
| G8 |  | 3 | G |  HANDLE | 3 |
| | | | H |  HASCROW (M4X20mm) | 6 |

CAUTION: Please confirm the parts list before installation

YOU MAY NEED (NOT SUPPLIED)



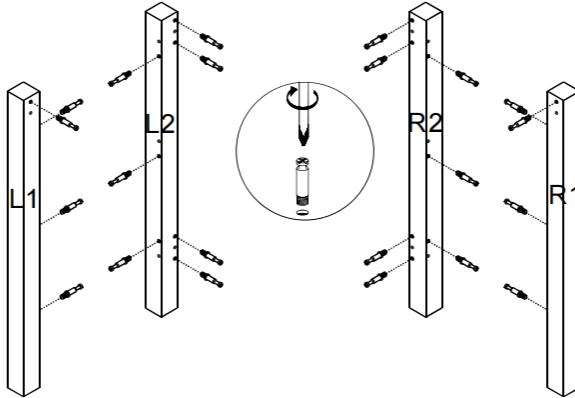
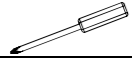
INSTALLATIONS

STEP 1

- Insert the cam screw into the shelves above.


HARDWARE LIST

B  22PCS




STEP 2

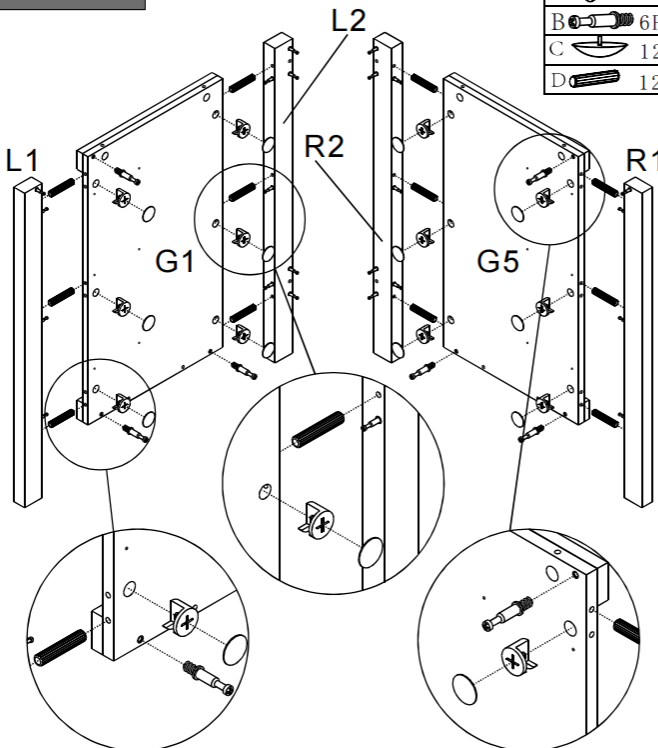
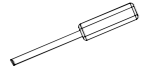
HARDWARE LIST

A  12PCS

B  6PCS

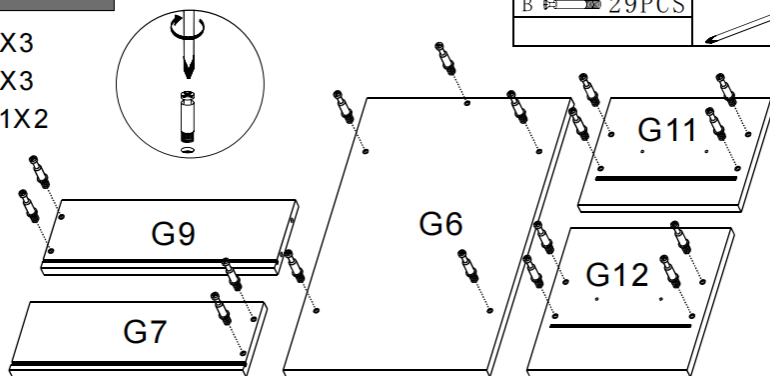
C  12PCS

D  12PCS



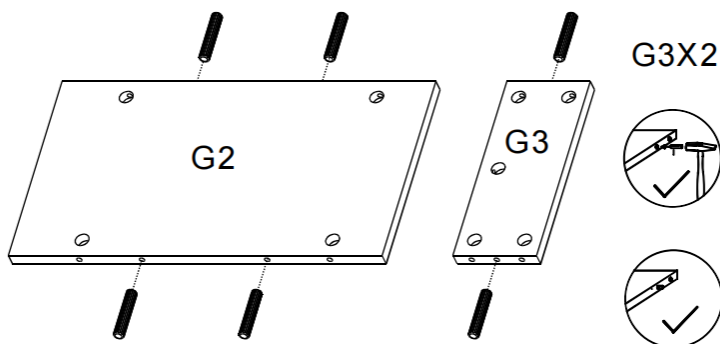
STEP3

G7X3
G9X3
G11X2



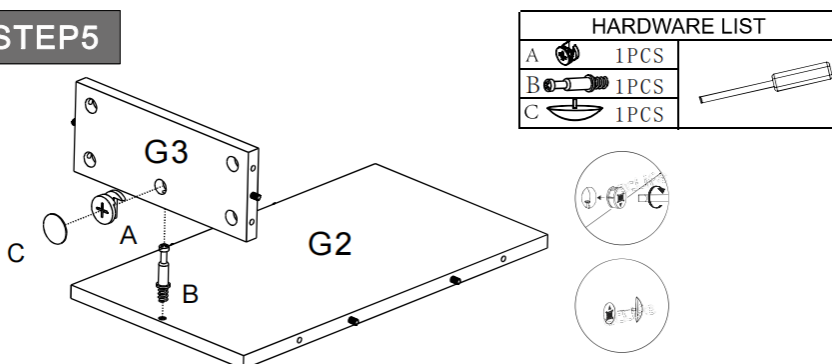
- Insert the cam screw into the shelves above,

STEP4




- Insert the wooden dowel pins into the shelves.

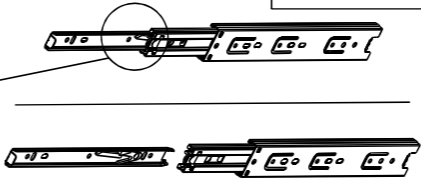
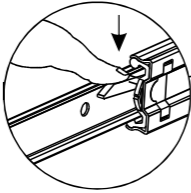
STEP5



- Insert shelves G2 and G3 downwards to their corresponding positions. then tighten the cam lock with the cover.

STEP6



| HARDWARE LIST | | |
|---------------|---|------|
| E |  | 6PCS |

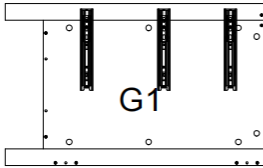


E-2 ← → E-1

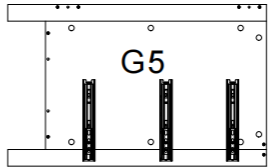
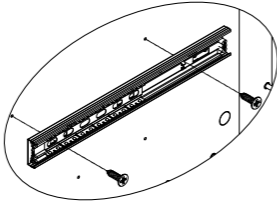
- Press the button and extend the slide slowly. Then separate it with the release latch. Repeat these steps for the other slides.

STEP7

| HARDWARE LIST | | |
|---------------|---|-------|
| E |  | 12PCS |
| |  | |






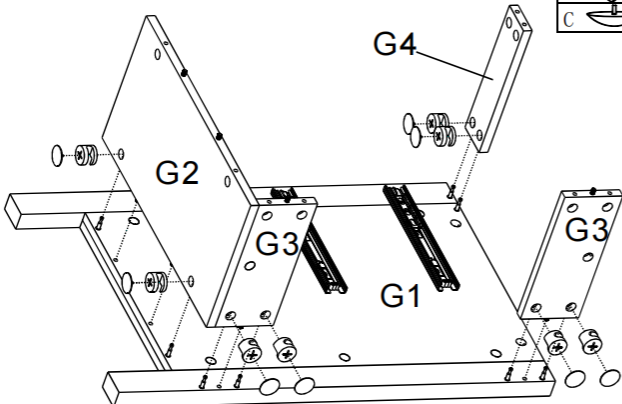
6PCS E-1



- Insert the screws to connect the slides (E-1) to the shelves.



STEP8

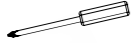
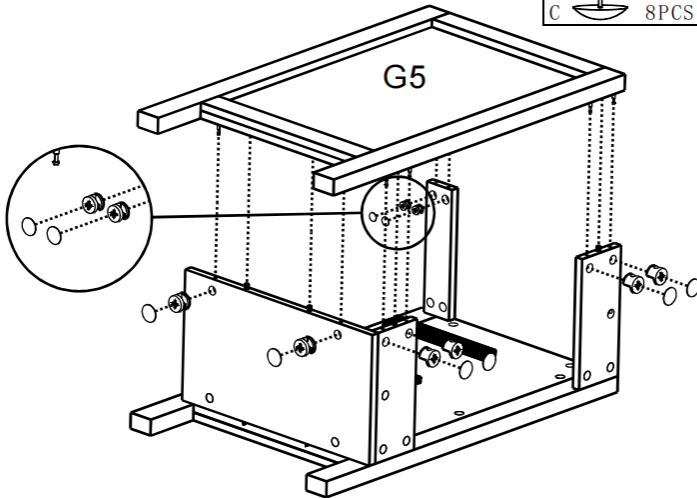
| HARDWARE LIST | | |
|---------------|---|------|
| A |  | 8PCS |
| C |  | 8PCS |
| |  | |



- Insert shelves G1, G2 and G3 downwards to their corresponding positions, then tighten the cam lock.



STEP9


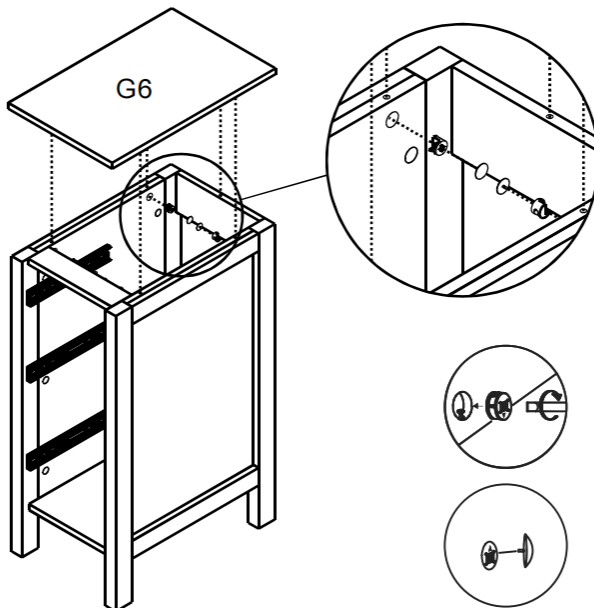
| HARDWARE LIST | | |
|---------------|---|------|
| A |  | 8PCS |
| C |  | 8PCS |

- Insert shelves G5 downwards to their corresponding positions, then tighten the cam lock.



STEP10

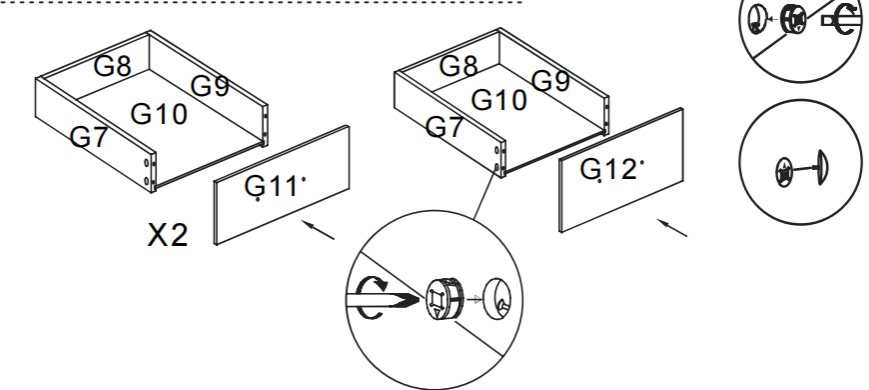
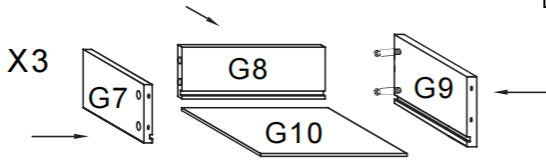
| HARDWARE LIST | | |
|---------------|---|------|
| A |  | 5PCS |
| C |  | 5PCS |

- Insert shelves G6 downwards to their corresponding positions, then tighten the cam lock.



STEP11

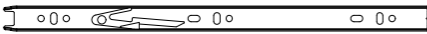
| HARDWARE LIST | | |
|---------------|---|-------|
| A |  | 24PCS |
| C |  | 24PCS |



- G7,G8,G9,G10 in order,and then install shelves G11/G12.

STEP12

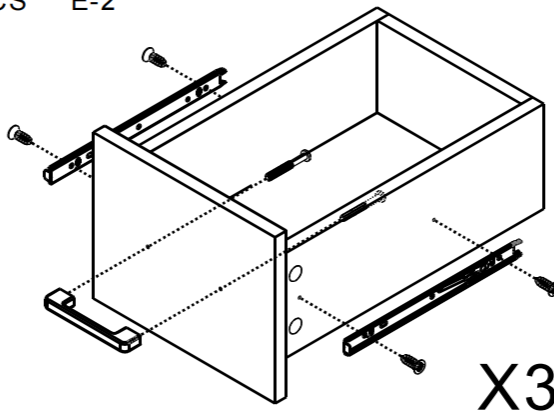
| HARDWARE LIST | | |
|---------------|---|-------|
| F |  | 12PCS |
| H |  | 6PCS |



6PCS E-2

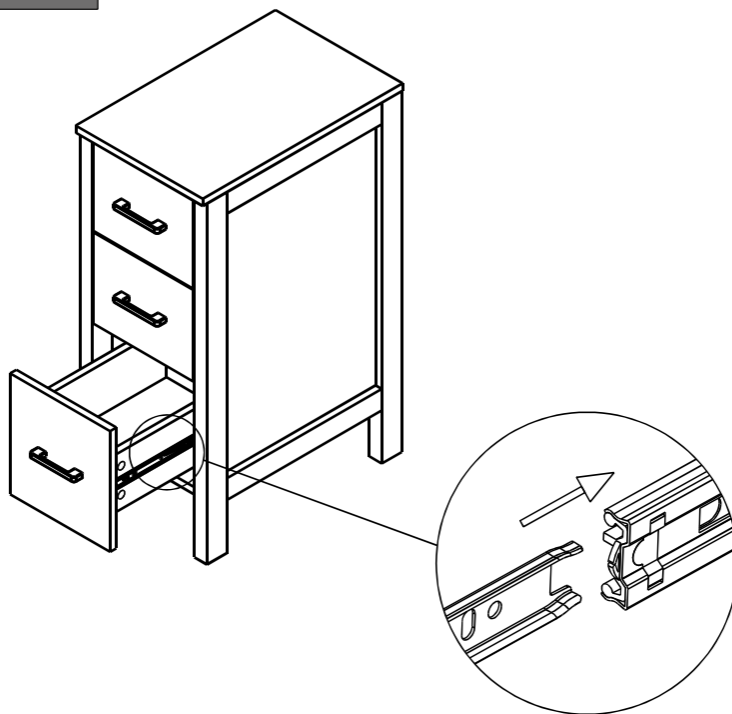


G 3PCS



- Use H screws to fix the handle on the shelf G11/G12.repeat for the second drawer.
- Insert the screws to connect the slides (E-2) to the drawer side.

STEP 13



CARE AND CLEANING

1. Many cleansers contain abrasive and chemical substance which is not suitable for cleaning stainless steel, enamel, plating or plastic products. You may use mild cleansers or soaps to clean the surfaces. Wipe any splashes of cleaner solutions from the surface with a clean soft cloth.
2. Maintain ventilation in the bathroom and separate the dry area from the damp one if conditions permit. Try to open the door and windows of the bathroom to maintain adequate ventilation.
3. This cabinet is built to withstand normal bathroom humidity. For best results, keep this vanity dry and take necessary steps to minimize bathroom humidity by opening windows and doors and using the exhaust fan (if available).
4. To maintain the cabinet door, clean and wipe the door regularly with a soft cloth. Wipe condensation with a dry, soft cloth. Keep away from fires and high temperatures.
5. Please do not sit, lean or step on the basin cabinet.