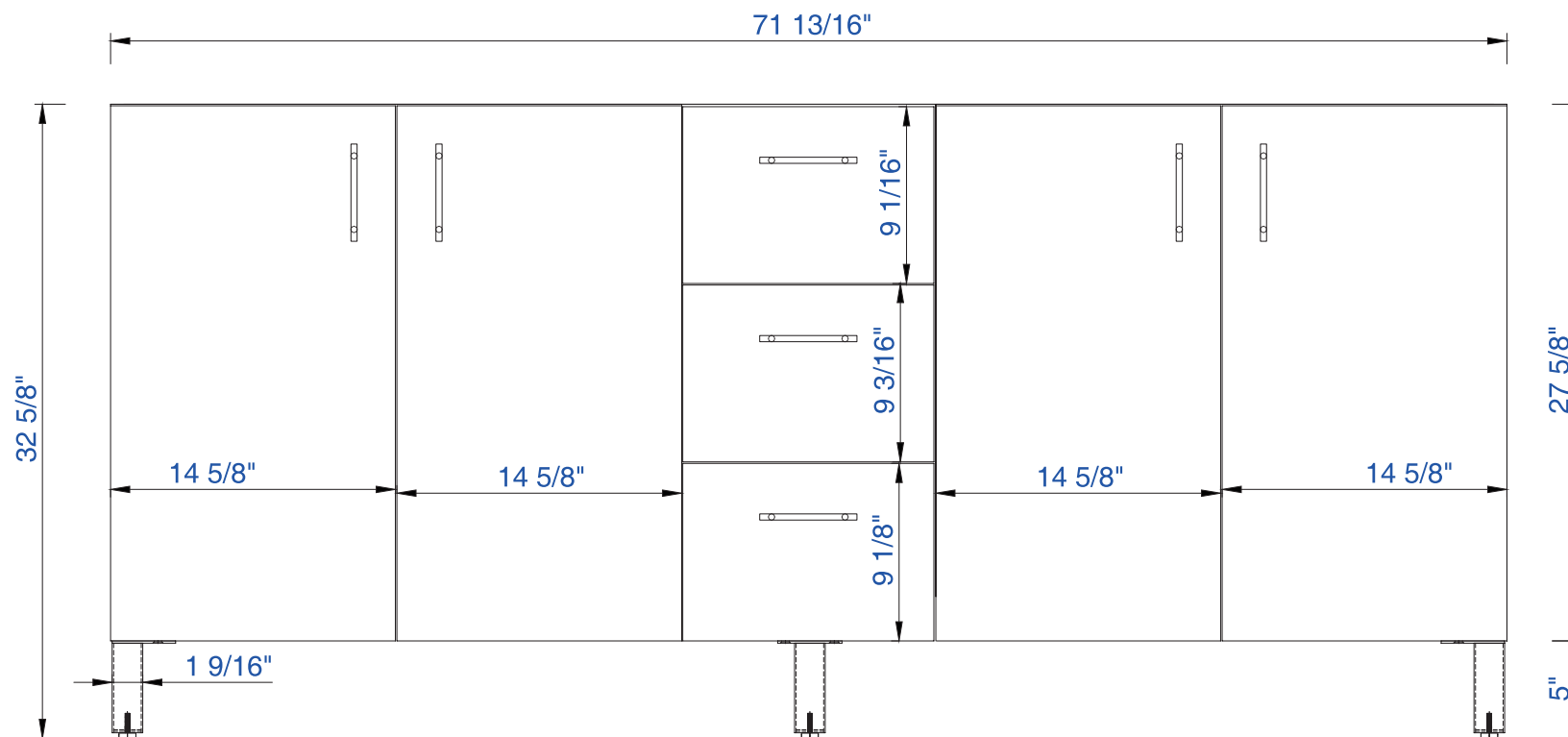
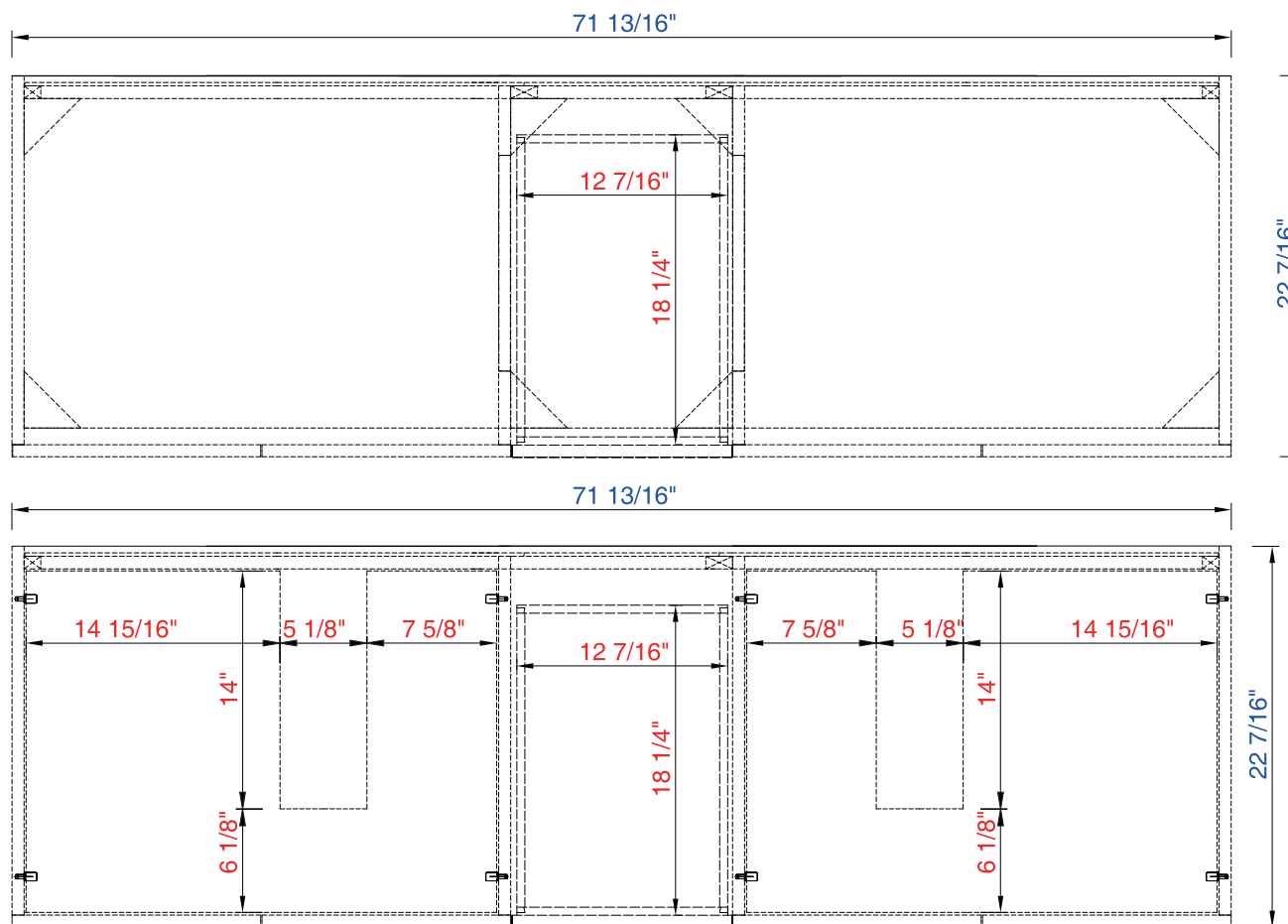


# 72" Cabinet

Diagrams with Dimensions  
page 01 of 03



NOTE ONE: Countertops are not shown in these diagrams. (Cabinet Only)  
NOTE TWO: This vanity does not have a Backsplash.



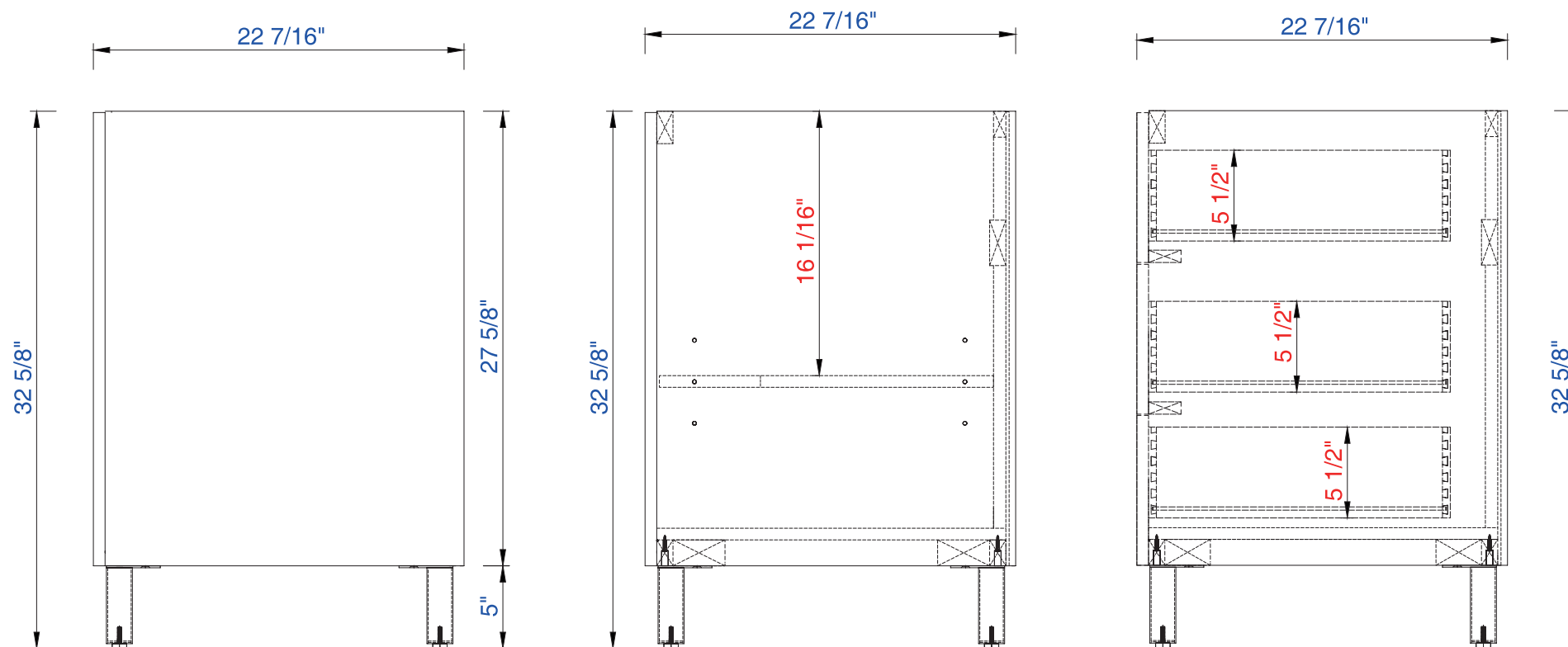
NOTE ONE: Countertops are not shown in these diagrams. (Cabinet Only)

NOTE TWO: Internal Shelves (Shown) are designed to align with sinks in James Martin's Optional Countertops.  
Customers' own countertops and sinks may align differently, and modification may be required.

# 72" Cabinet

Diagrams with Dimensions

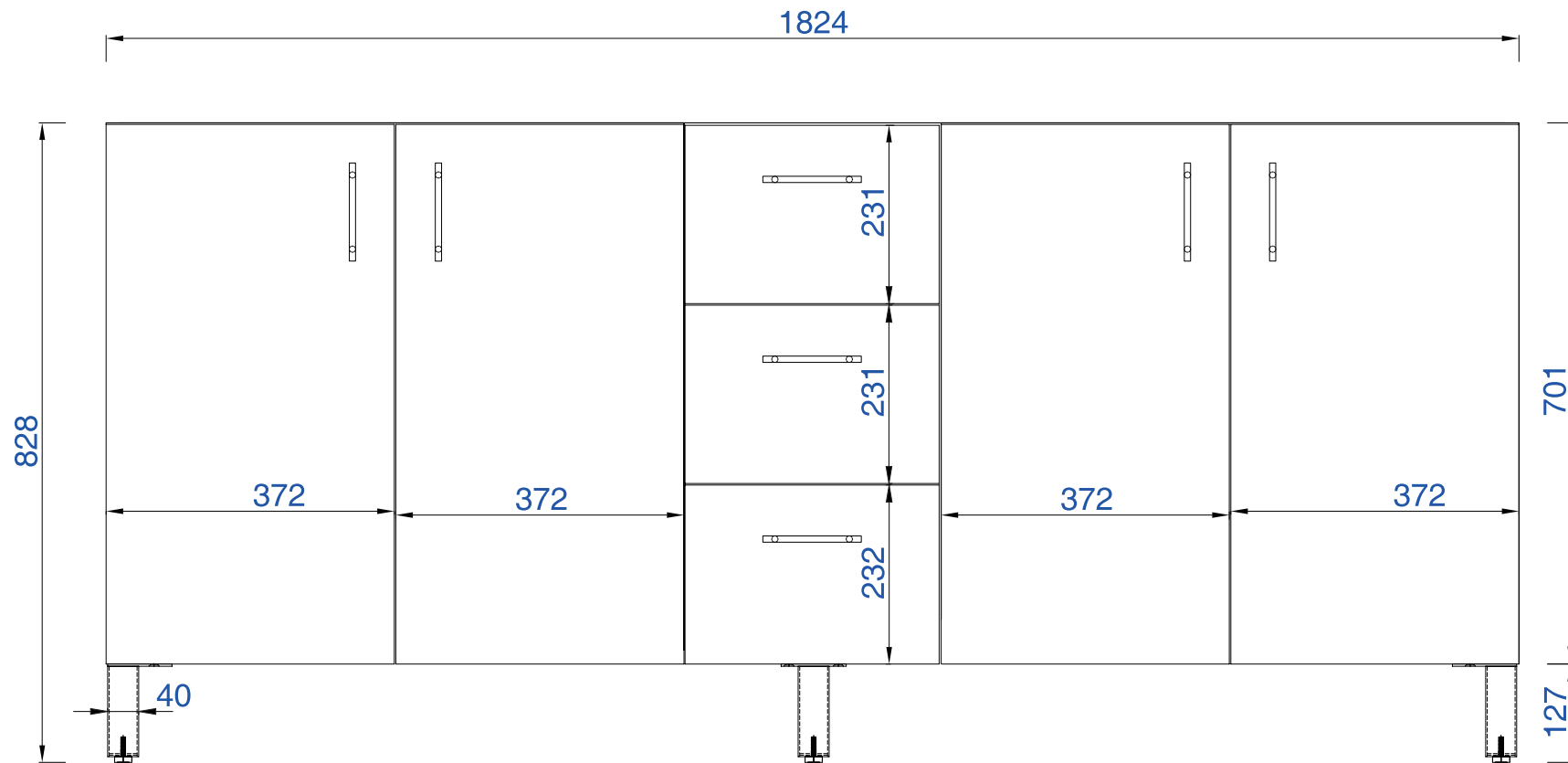
page 03 of 03



NOTE ONE: Countertops are not shown in these diagrams. (Cabinet Only)  
NOTE TWO: This vanity does not have a Backsplash.

# 1828mm Cabinet

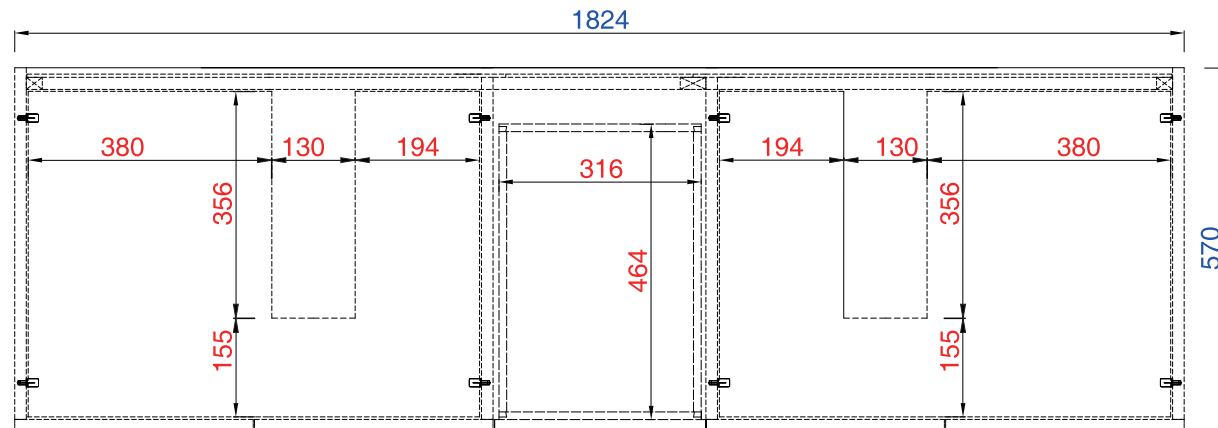
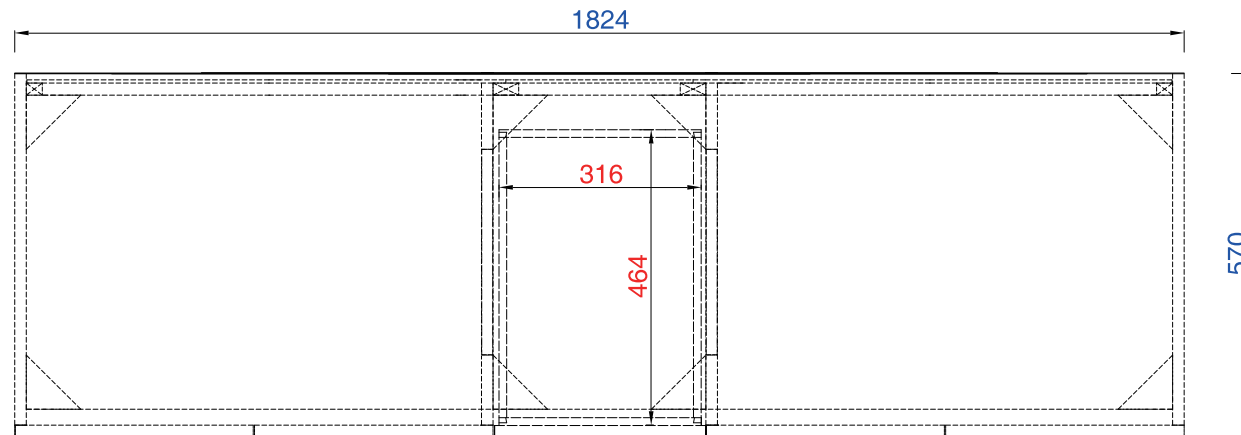
Diagrams with Dimensions  
page 01 of 03



NOTE ONE: Countertops are not shown in these diagrams. (Cabinet Only)  
NOTE TWO: This vanity does not have a Backsplash.

# 1828mm Cabinet

Diagrams with Dimensions  
page 02 of 03

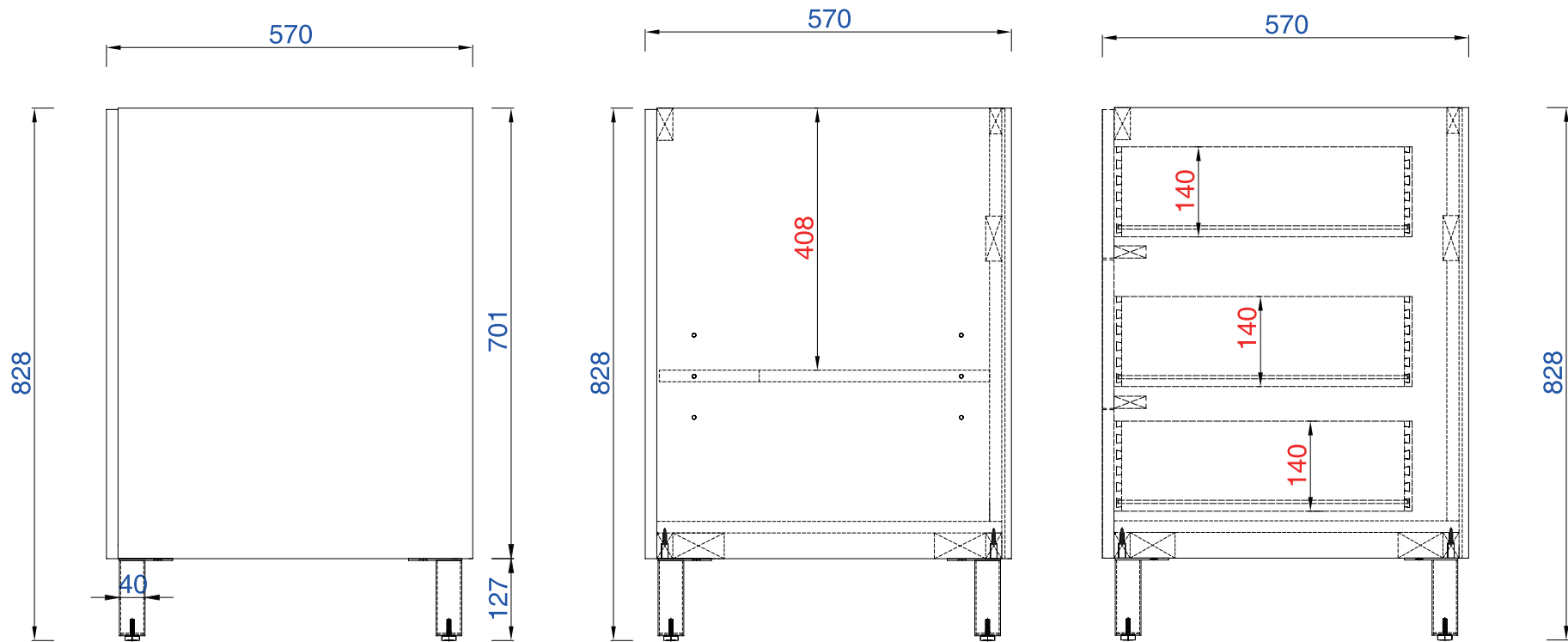


NOTE ONE: Countertops are not shown in these diagrams. (Cabinet Only)

NOTE TWO: Internal Shelves (Shown) are designed to align with sinks in James Martin's Optional Countertops.  
Customers' own countertops and sinks may align differently, and modification may be required.

# 1828mm Cabinet

Diagrams with Dimensions  
page 03 of 03



NOTE ONE: Countertops are not shown in these diagrams. (Cabinet Only)  
NOTE TWO: This vanity does not have a Backsplash.