

STORAGE CABINET

User Manual

INTRODUCTION

Thank you for choosing the Storage Cabinet. Please read this user manual carefully and keep it for future reference. If you need any assistance, please contact us by email with your order number and details.

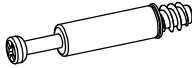

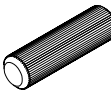
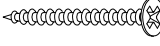
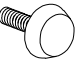
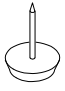


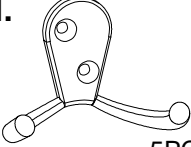
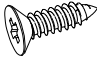
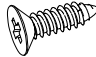
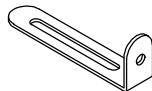
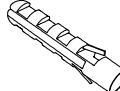
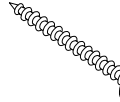

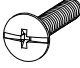

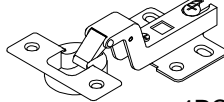
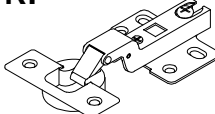
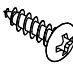
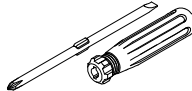



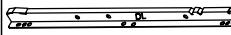
PACKAGE CONTENTS

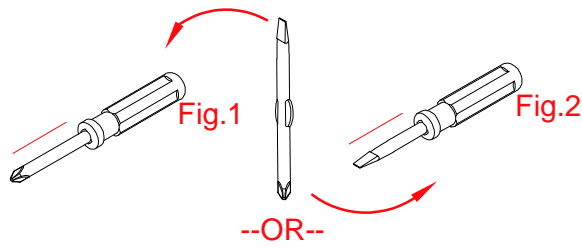
- 1 x Storage Cabinet
- 1 x Pack of Accessories
- 1 x User Manual

PRODUCT CARE

- Please follow the instruction to assemble this item correctly.
- Don't make the screws be too loose or too tight.
- Please put the screws into the holes' position just as shown in the arrows of the image, and then clockwise rotate 90° or 180°
- More product parts, it is recommended that two people install
- The fittings pack contains small accessories that should be kept away from small children.

HARDWARE SUPPLIED

A. 6x35mm  51+2PCS	B. 15x9.8mm  51+2PCS	C. Ø6x30mm  44+2PCS	D. M4x40mm  32+2PCS	E. M6*15mm  2PCS
F. Ø13.8*18*4mm  4PCS	G. G.1  G.2  26+2SETS	H.  5PCS	I. M3.5*14mm  10+2PCS	J. M3.5x14mm  62+2PCS
K.  2PCS	L. Ø8x6x35mm  2PCS	M. M4x35mm  2PCS	N. Ø21mm  51+2PCS	O. M4x16mm  5PCS
P.  5PCS	Q.  4PCS	R.  2PCS	S. M3.5*12mm  2PCS	T. 140mm  1PC
CR. 12 inch/300mm  2PCS	DR. 12 inch/300mm  2PCS	CL. 12 inch/300mm  2PCS	DL. 12 inch/300mm  2PCS	



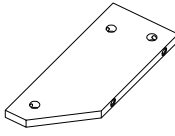
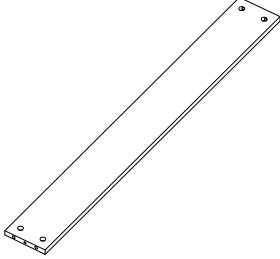
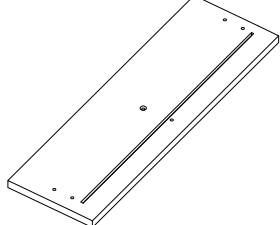
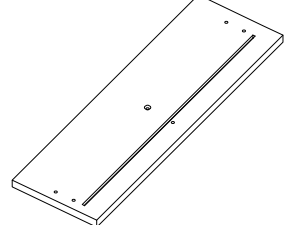
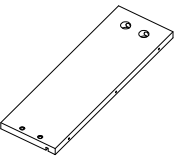
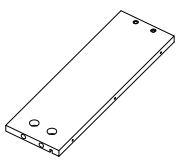
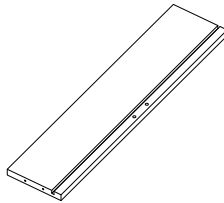

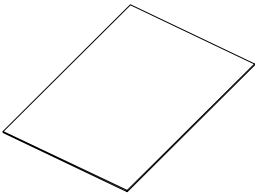
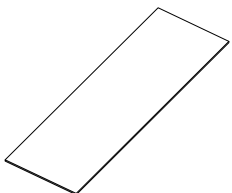
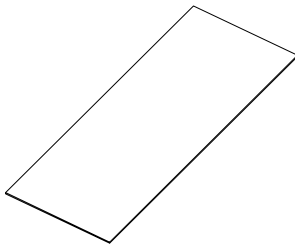
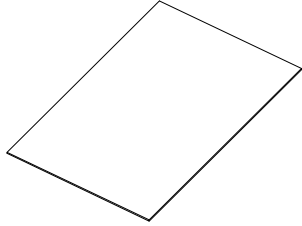
PARTS LIST

Unit: (mm)

<p>① 1000*198*14</p> <p>1PC</p>	<p>② 836*197*14</p> <p>2PCS</p>	<p>③ 497*320*14</p> <p>3PCS</p>	<p>④ 970*78*14</p> <p>1PC</p>
<p>⑤ 970*78*14</p> <p>1PC</p>	<p>⑥ 970*78*14</p> <p>1PC</p>	<p>⑦ 970*78*14</p> <p>1PC</p>	<p>⑧ 1000*350*14</p> <p>1PC</p>
<p>⑨ 786*349*14</p> <p>1PC</p>	<p>⑩ 786*349*14</p> <p>1PC</p>	<p>⑪ 970*333*14</p> <p>1PC</p>	<p>⑫ 639*331*14</p> <p>1PC</p>
<p>⑬ 317*312*14</p> <p>1PC</p>	<p>⑭ 970*348*14</p> <p>1PC</p>	<p>⑮ 148*332*14</p> <p>1PC</p>	<p>⑯ 494*332*14</p> <p>1PC</p>

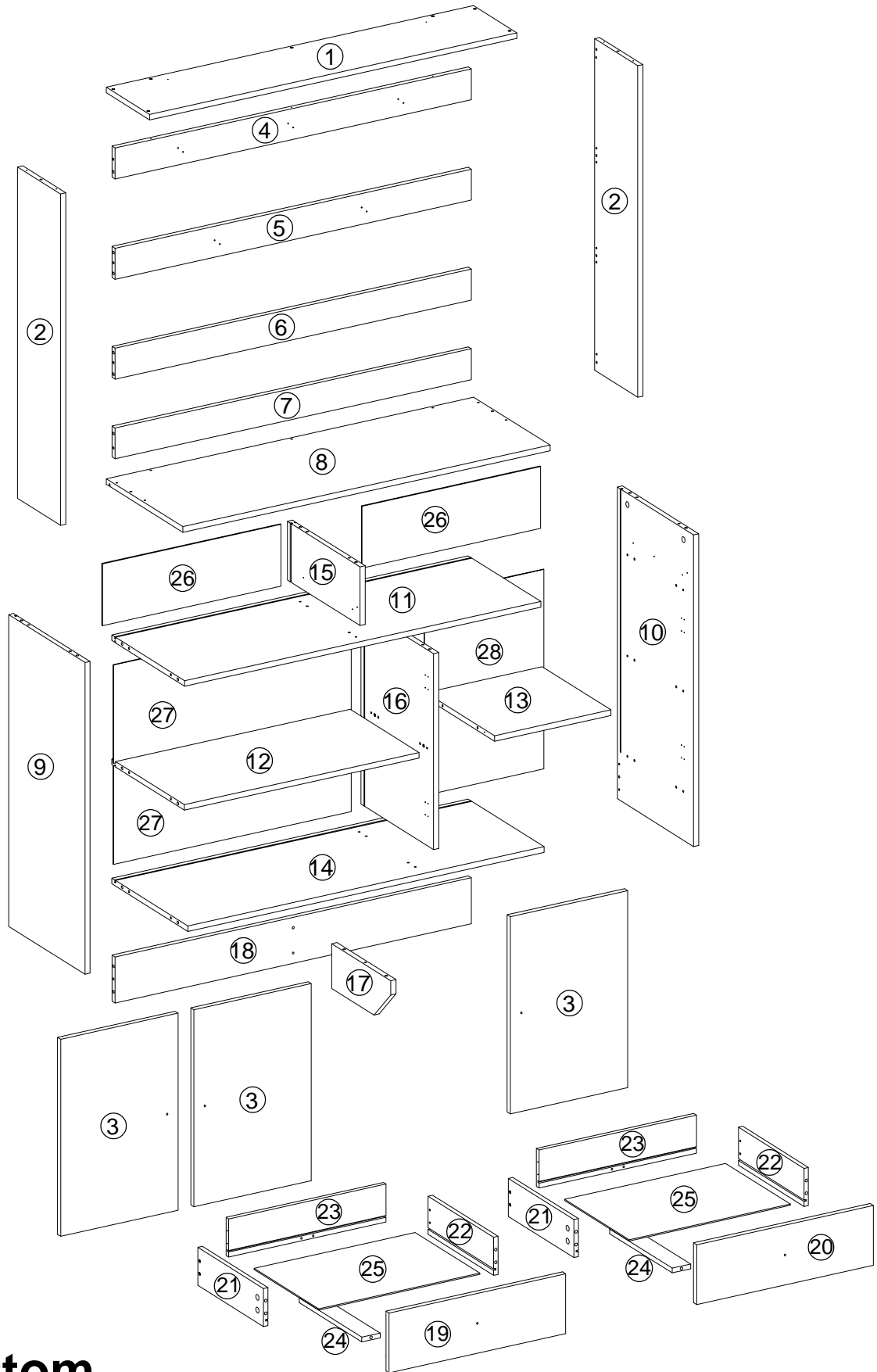
PARTS LIST

Unit: (mm)

<p>①⑦ 111*270*14</p>  <p style="text-align: right;">1PC</p>	<p>①⑧ 970*116*14</p>  <p style="text-align: right;">1PC</p>	<p>①⑨ 481*151*14</p>  <p style="text-align: right;">1PC</p>	<p>①⑩ 481*151*14</p>  <p style="text-align: right;">1PC</p>
<p>①⑪ 300*96*12</p>  <p style="text-align: right;">2PCS</p>	<p>①⑫ 300*96*12</p>  <p style="text-align: right;">2PCS</p>	<p>①⑬ 428.5*96*12</p>  <p style="text-align: right;">2PCS</p>	<p>①⑭ 286*50*12</p>  <p style="text-align: right;">2PCS</p>
<p>①⑮ 437*295*2.4</p>  <p style="text-align: right;">2PCS</p>	<p>①⑯ 486*156*2.4</p>  <p style="text-align: right;">2PCS</p>	<p>①⑰ 647*247*2.4</p>  <p style="text-align: right;">2PCS</p>	<p>①⑱ 501*325*2.4</p>  <p style="text-align: right;">1PC</p>

PANEL LAYOUT

Top

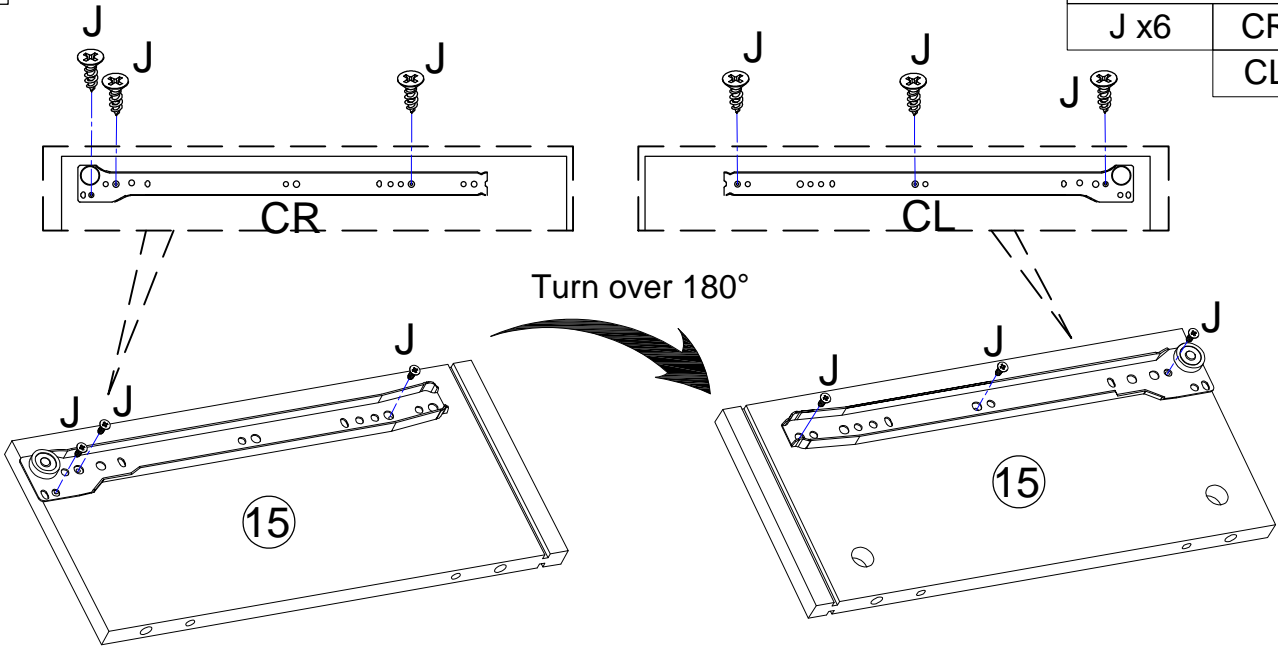


Bottom

1

YOU WILL NEED

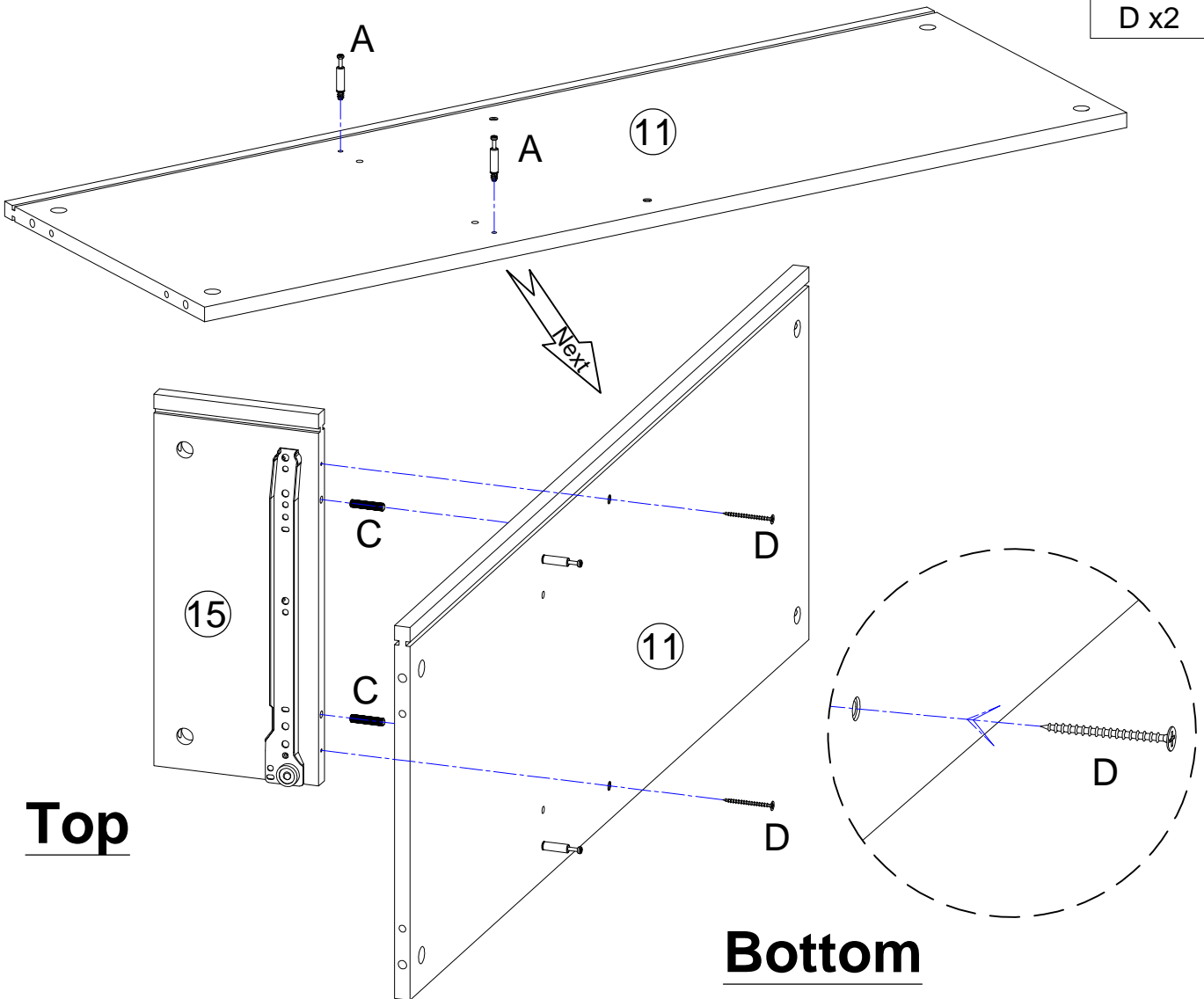
J x6	CR x1
	CL x1



2


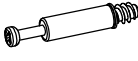
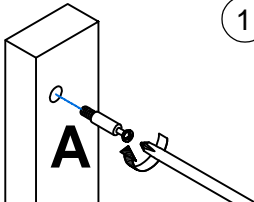
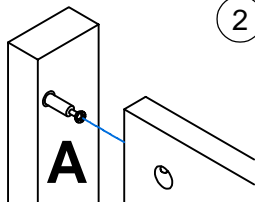
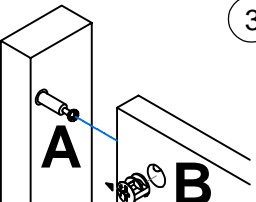
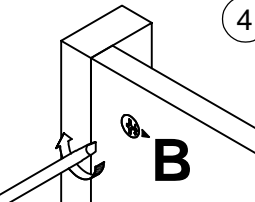
YOU WILL NEED

A x2	C x2
	D x2



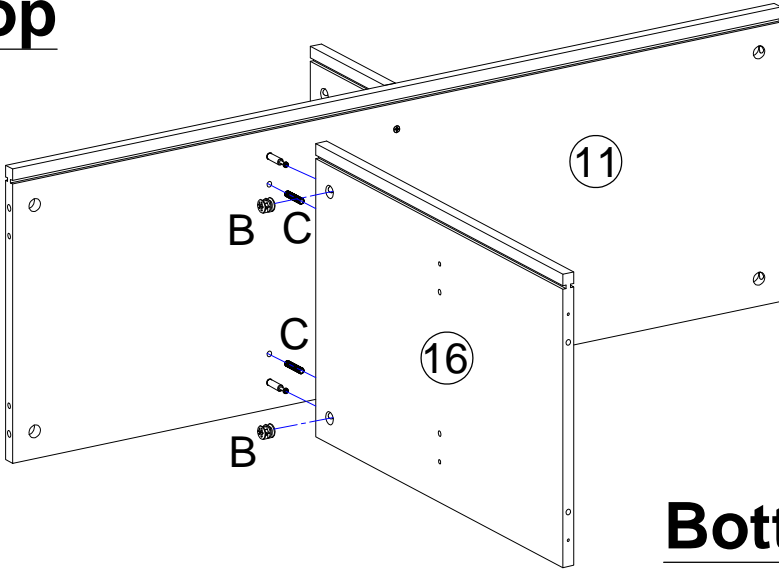
Top

Bottom

<p>HOW TO</p>  <p>Cam lock</p>  <p>Cam bolt</p>	<p>1</p> 	<p>2</p> 	<p>3</p> 	<p>4</p> 
	<p>1. Screw Cam Bolt into panel</p>	<p>2. Insert Cam Bolt into bolt hole of joining panel.</p>	<p>3. Insert Cam Lock with arrow facing bolt.</p>	<p>4. Gently turn Cam Lock 180° clockwise to lock into position.</p>

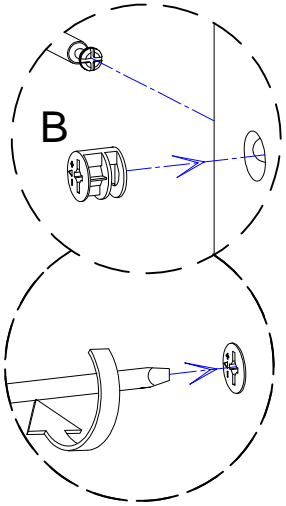
3

Top



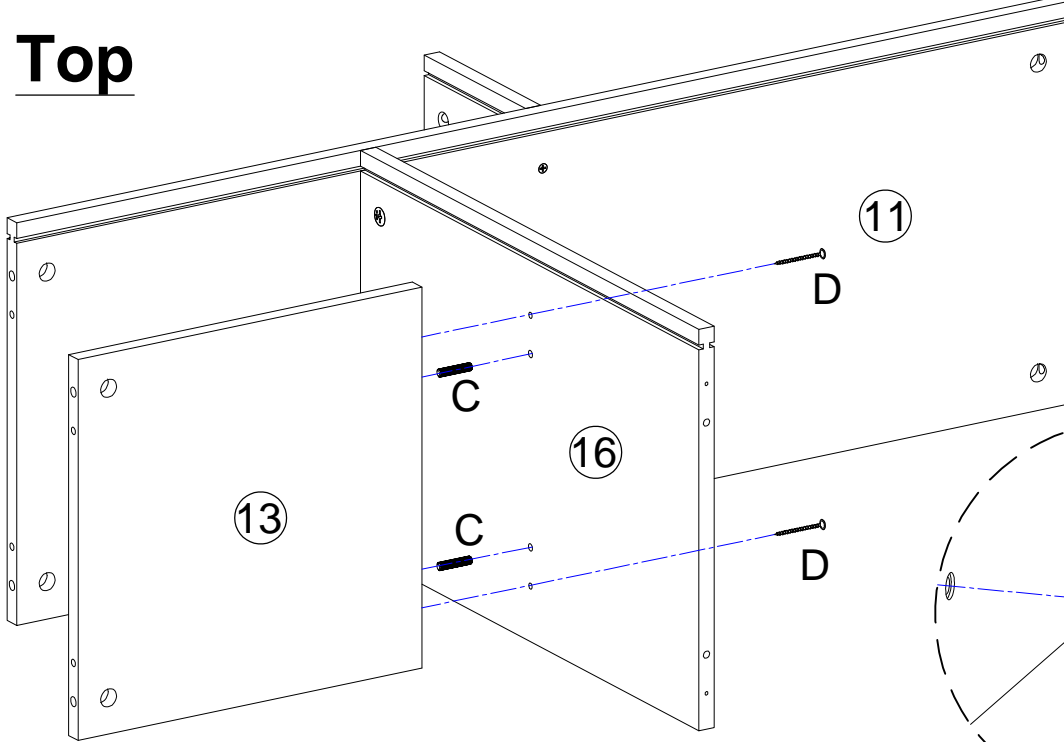
Bottom

YOU WILL NEED	
C x2	B x2



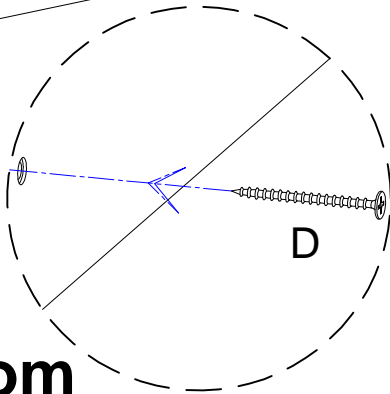
4



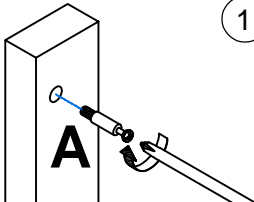
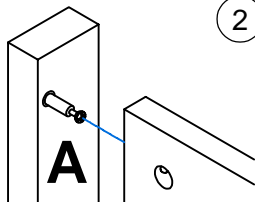
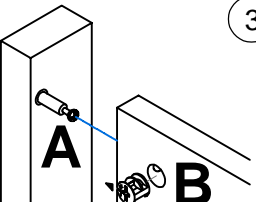
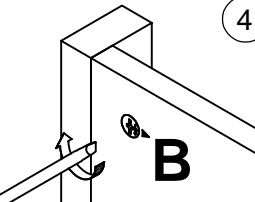
Top

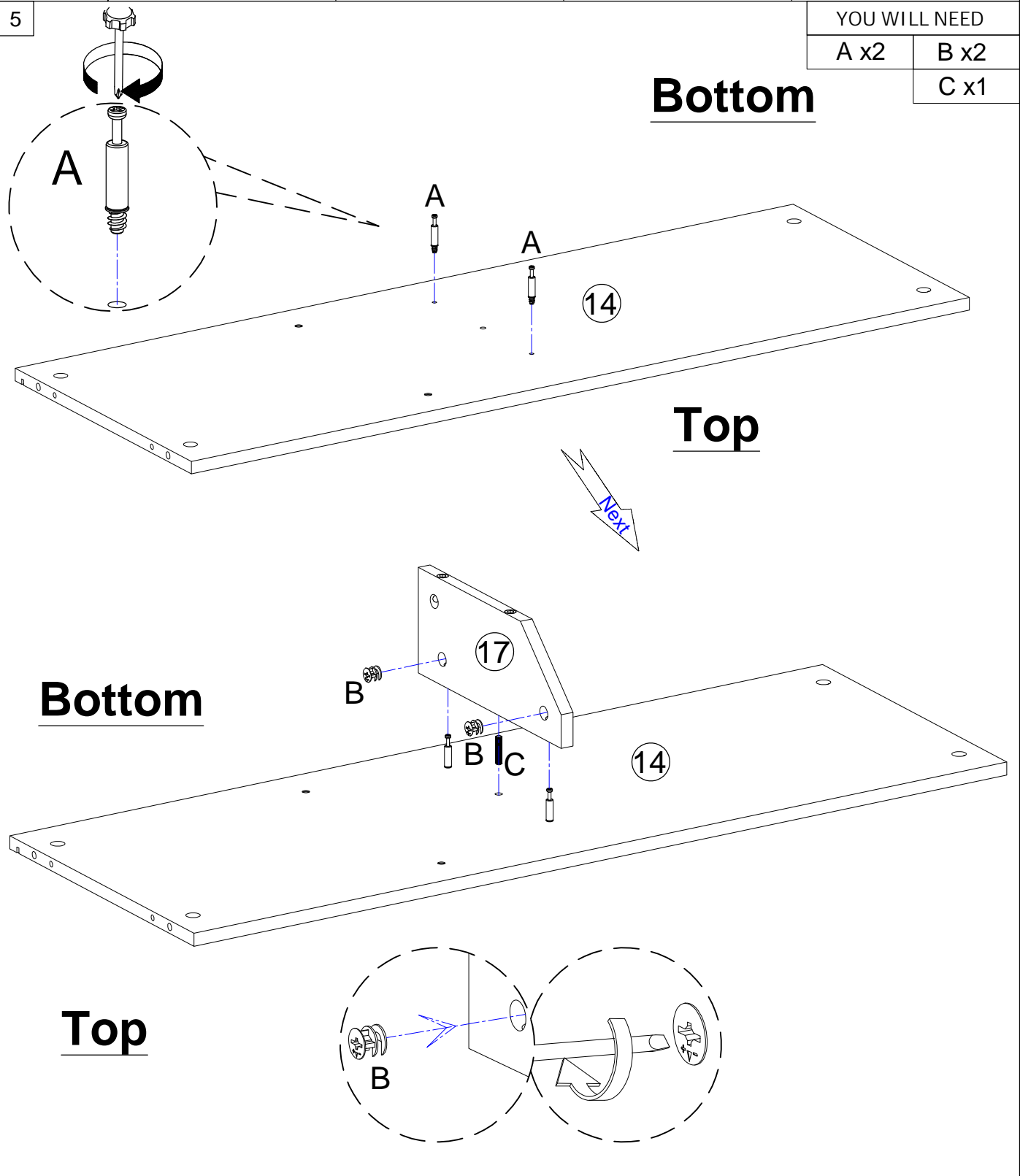


Bottom

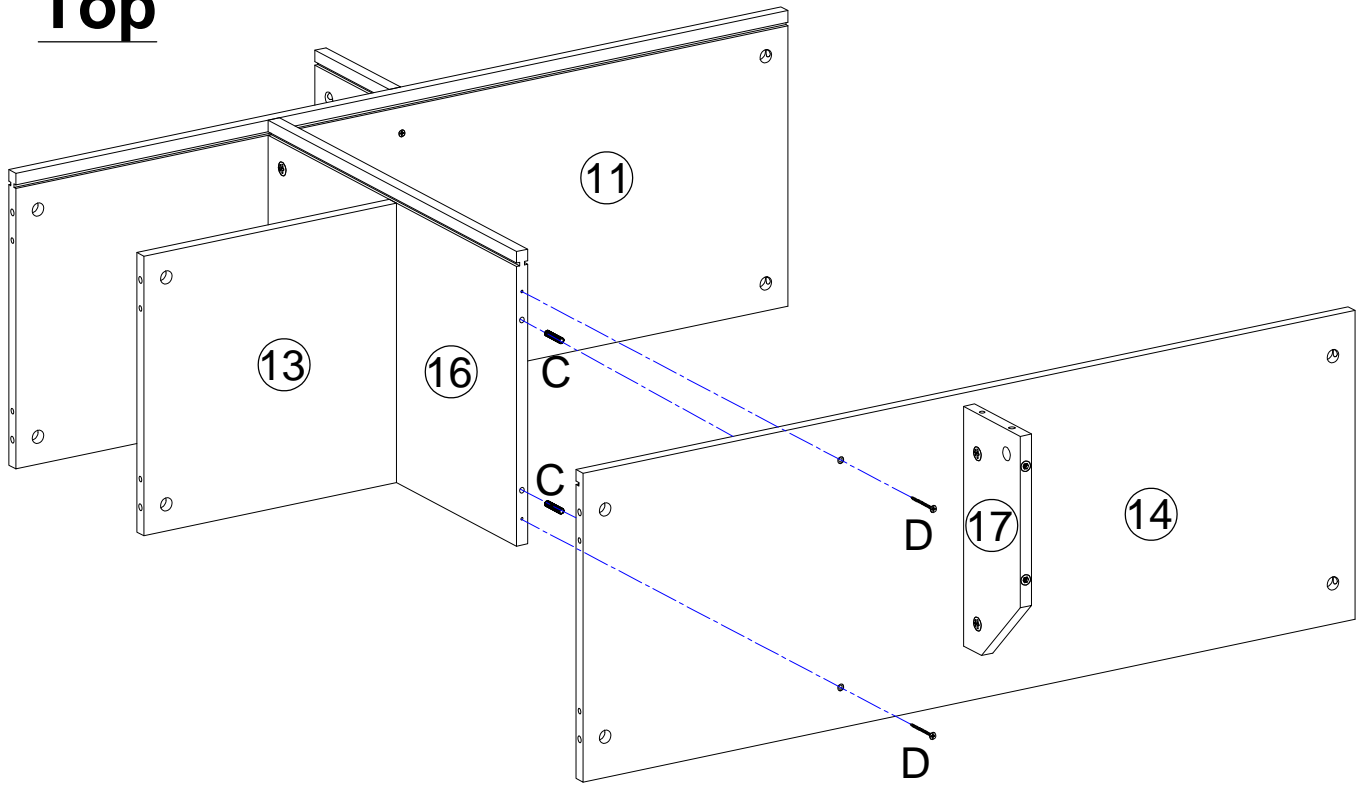
YOU WILL NEED	
C x2	D x2



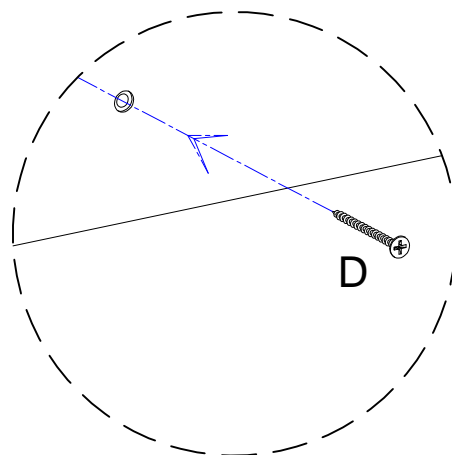
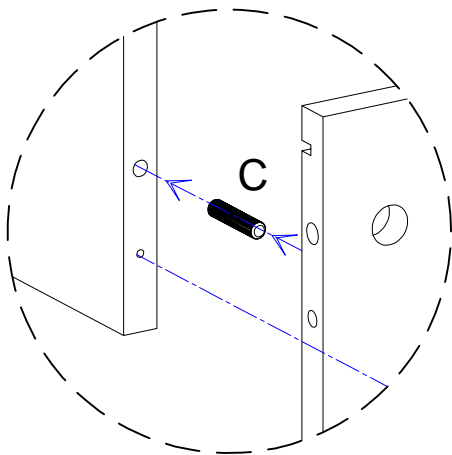
<p>HOW TO</p>  <p>Cam lock</p>  <p>Cam bolt</p>	<p>1</p>  <p>A</p>	<p>2</p>  <p>A</p>	<p>3</p>  <p>A B</p>	<p>4</p>  <p>B</p>
	<p>1. Screw Cam Bolt into panel</p>	<p>2. Insert Cam Bolt into bolt hole of joining panel.</p>	<p>3. Insert Cam Lock with arrow facing bolt.</p>	<p>4. Gently turn Cam Lock 180° clockwise to lock into position.</p>


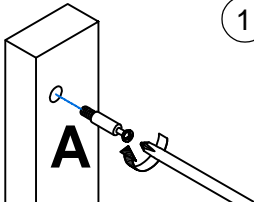
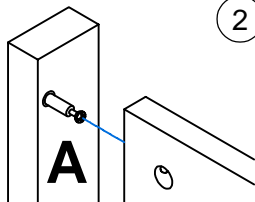
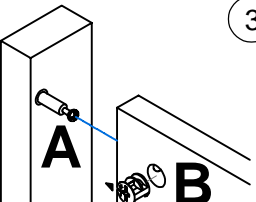
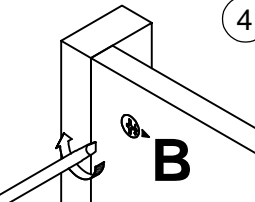



Top



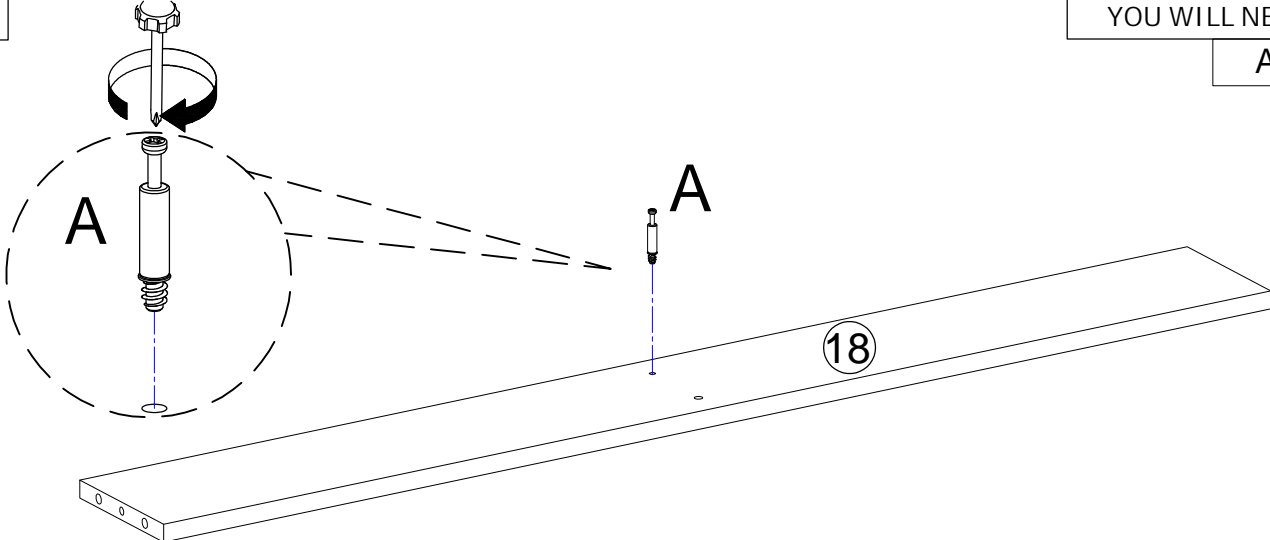
Bottom



<p>HOW TO</p>  <p>Cam lock</p>	<p>1</p>  <p>A</p>	<p>2</p>  <p>A</p>	<p>3</p>  <p>A B</p>	<p>4</p>  <p>B</p>
 <p>Cam bolt</p>	<p>1. Screw Cam Bolt into panel</p>	<p>2. Insert Cam Bolt into bolt hole of joining panel.</p>	<p>3. Insert Cam Lock with arrow facing bolt.</p>	<p>4. Gently turn Cam Lock 180° clockwise to lock into position.</p>

7

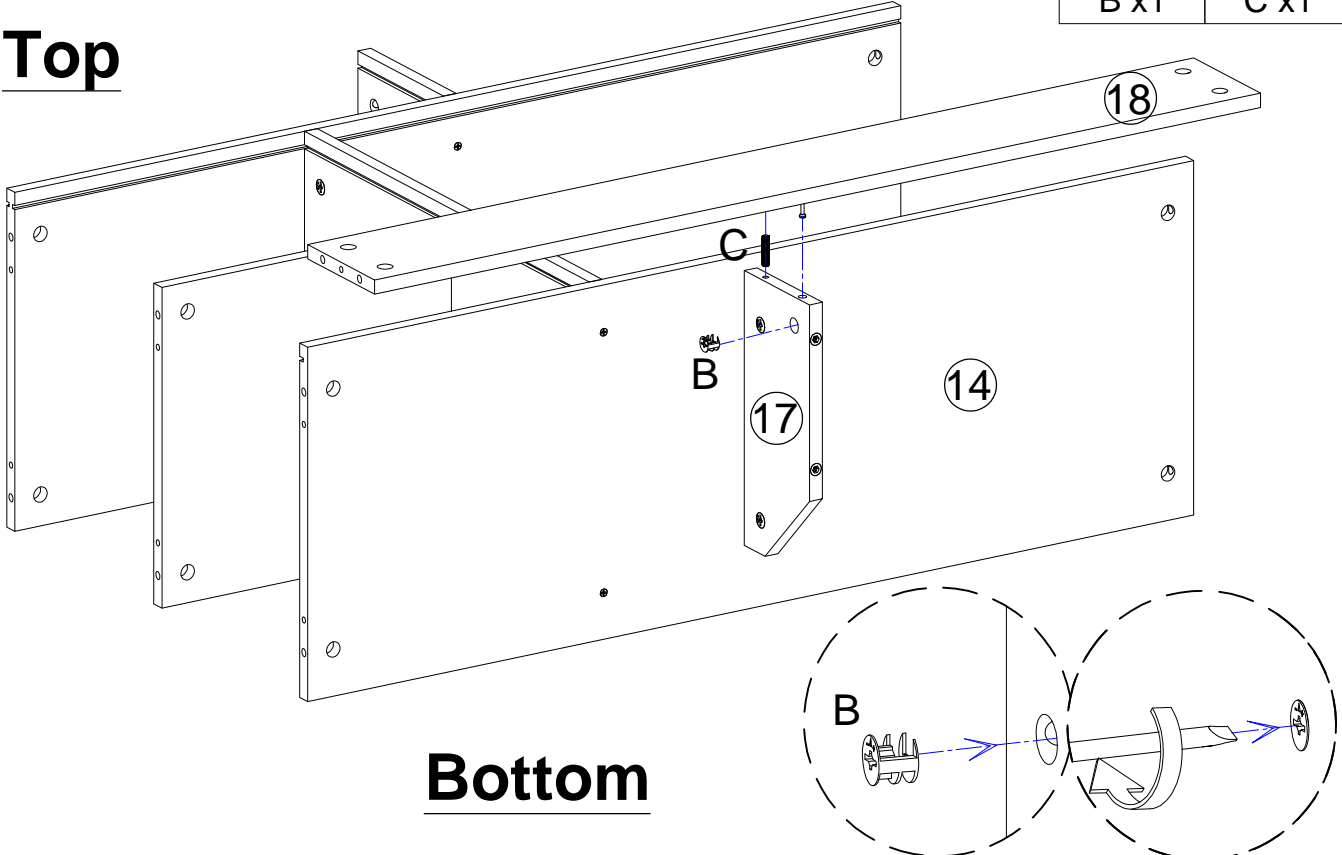
YOU WILL NEED
A x1




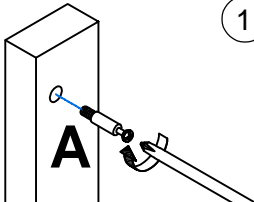
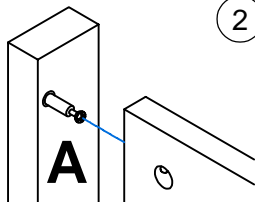
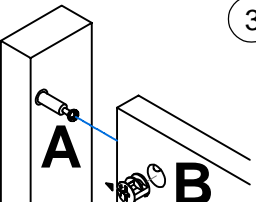
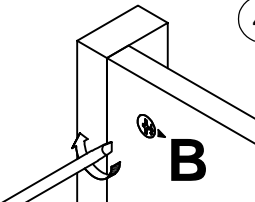

8

YOU WILL NEED
B x1 **C x1**

Top



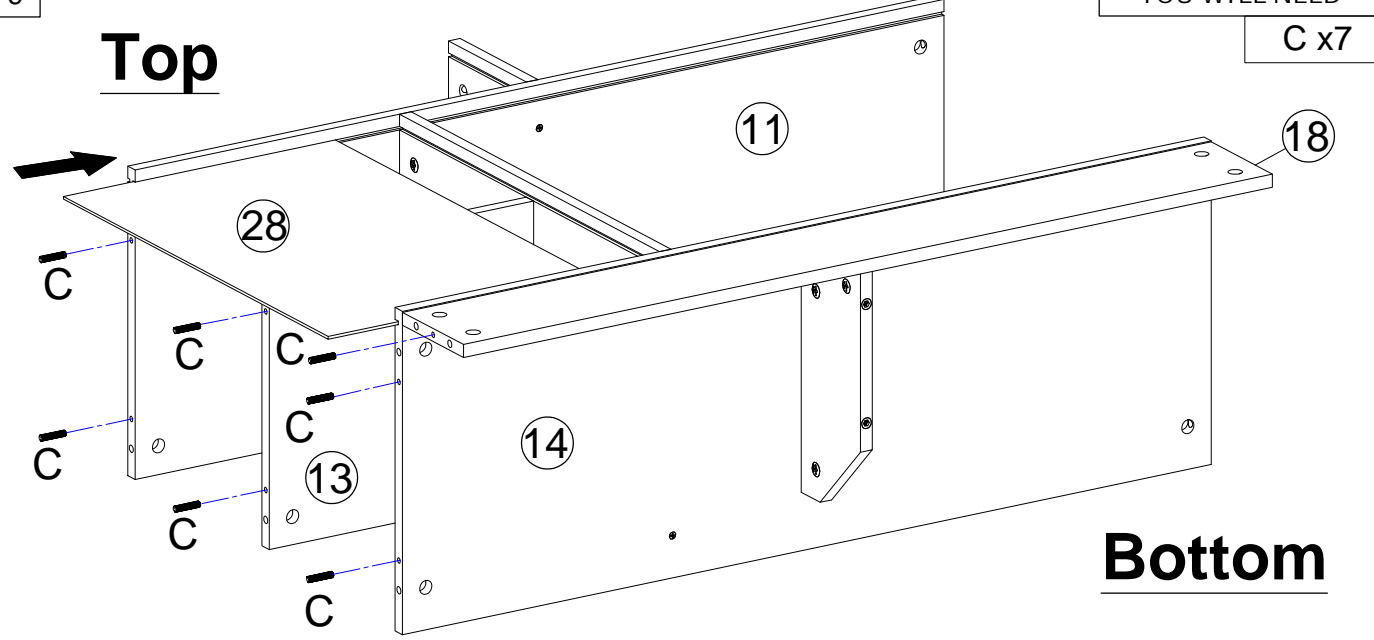
Bottom

<p>HOW TO</p>  <p>Cam lock</p>	<p>1</p> 	<p>2</p> 	<p>3</p> 	<p>4</p> 
 <p>Cam bolt</p>	<p>1. Screw Cam Bolt into panel</p>	<p>2. Insert Cam Bolt into bolt hole of joining panel.</p>	<p>3. Insert Cam Lock with arrow facing bolt.</p>	<p>4. Gently turn Cam Lock 180° clockwise to lock into position.</p>

9

YOU WILL NEED

C x7



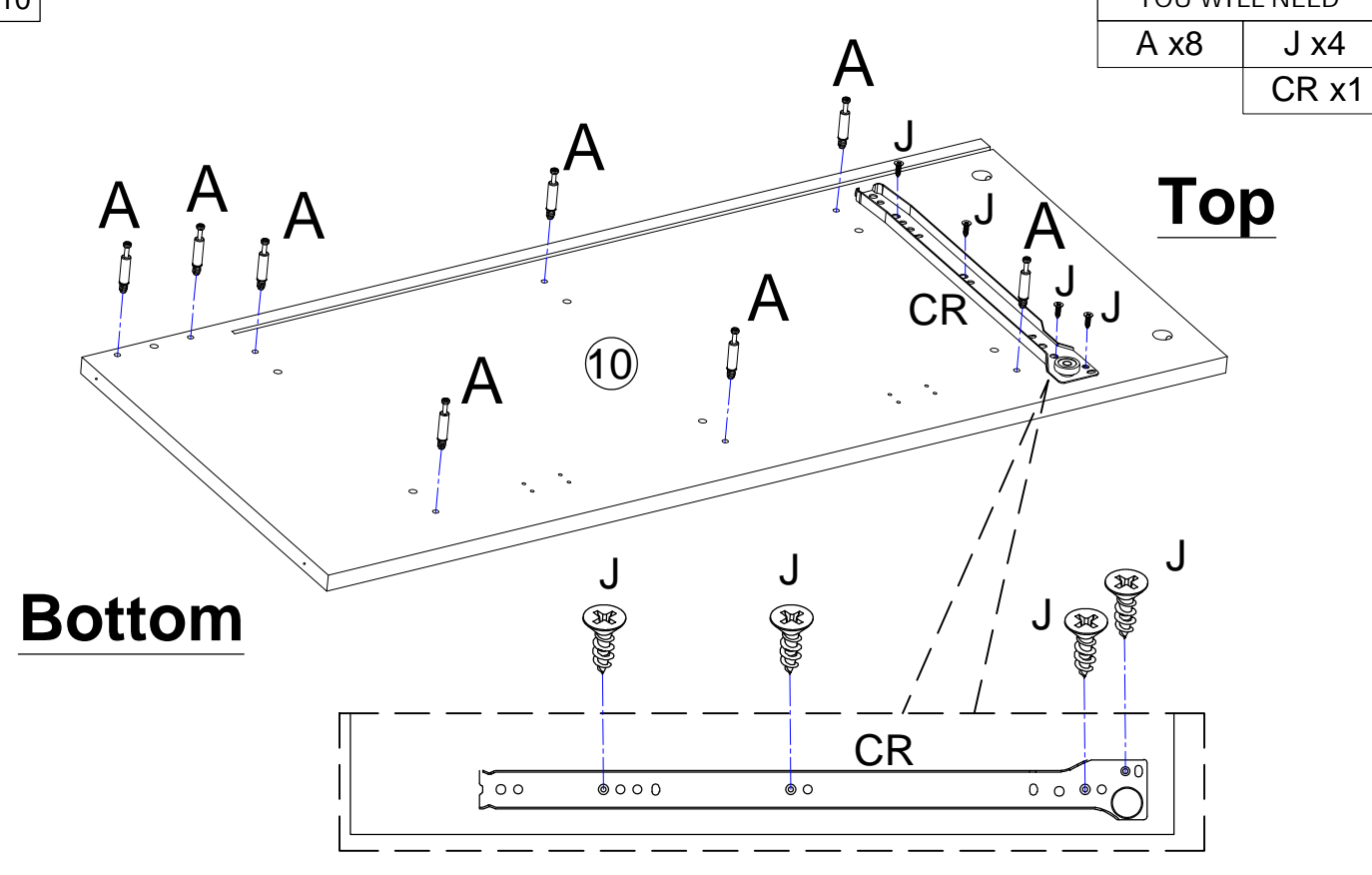
Top

Bottom

10



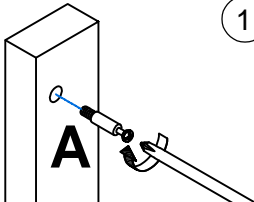
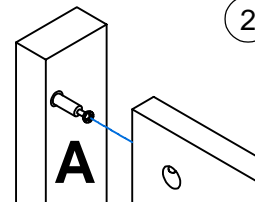
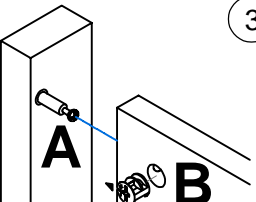
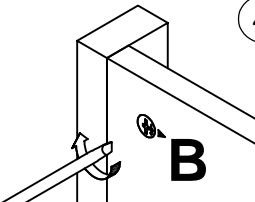
YOU WILL NEED

A x8	J x4
	CR x1



Top

Bottom

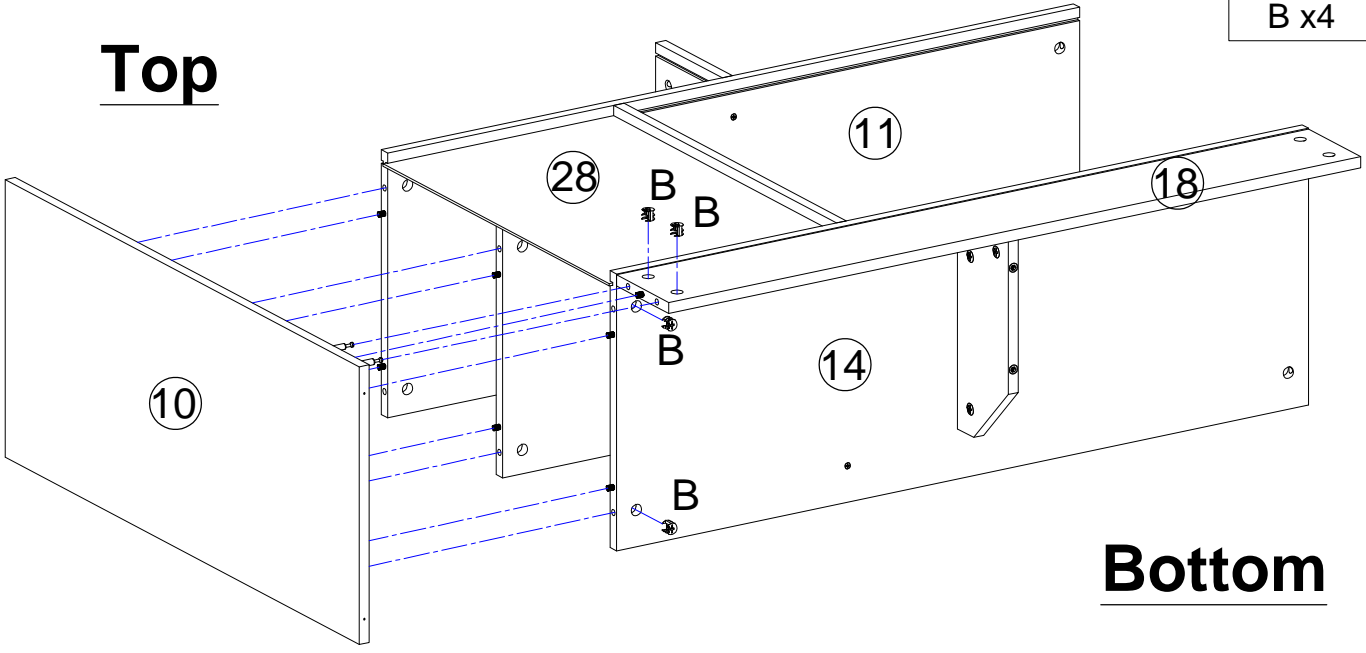
<p>HOW TO</p>  <p>Cam lock</p>  <p>Cam bolt</p>	<p>1</p> 	<p>2</p> 	<p>3</p> 	<p>4</p> 
	<p>1. Screw Cam Bolt into panel</p>	<p>2. Insert Cam Bolt into bolt hole of joining panel.</p>	<p>3. Insert Cam Lock with arrow facing bolt.</p>	<p>4. Gently turn Cam Lock 180° clockwise to lock into position.</p>

11

YOU WILL NEED

B x4

Top



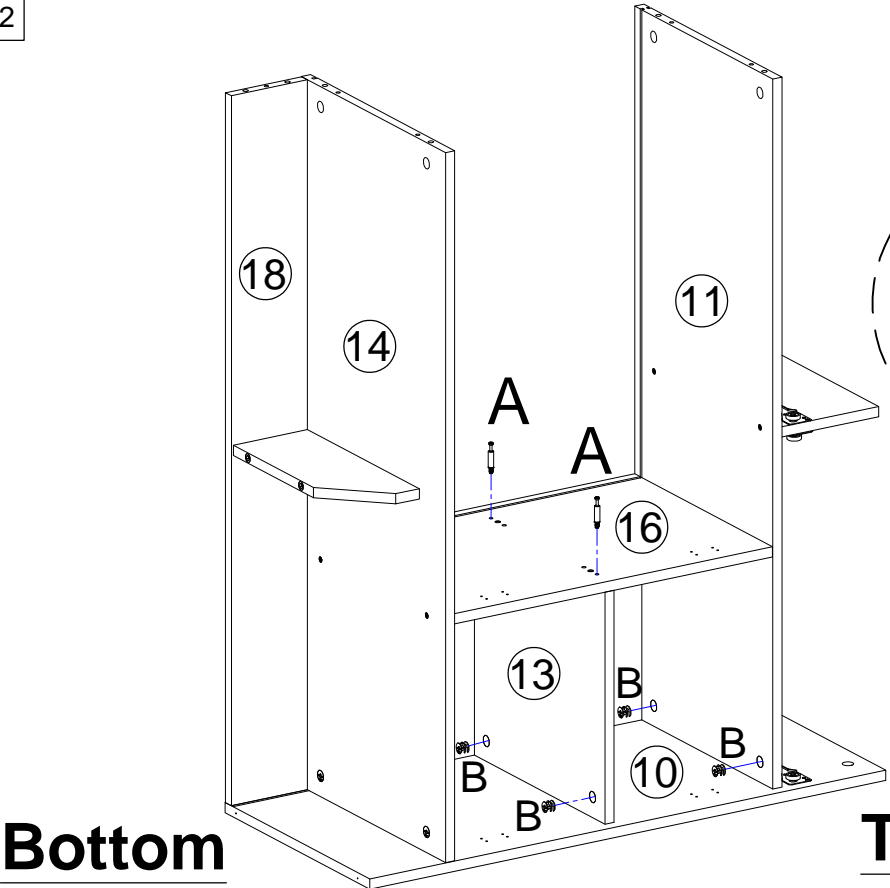
Bottom

12

YOU WILL NEED

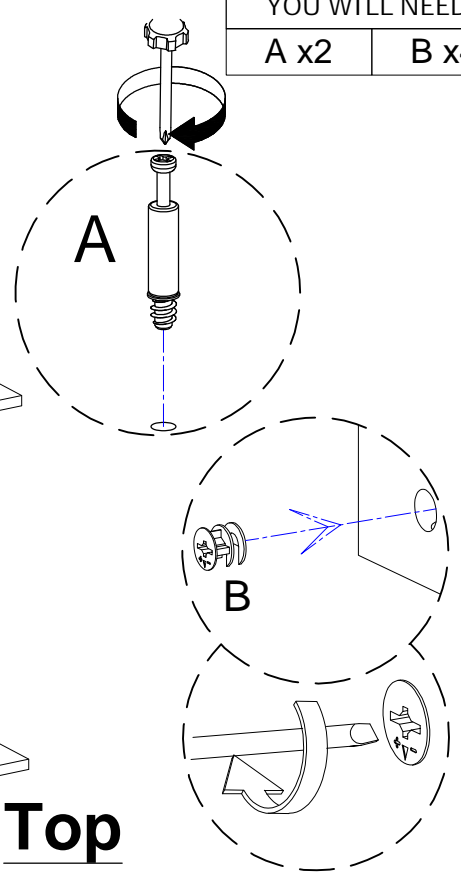
A x2


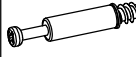
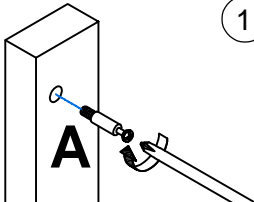
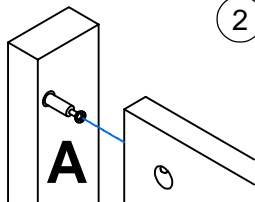
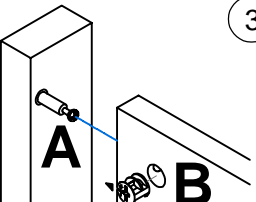
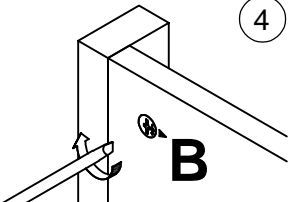
B x4



Bottom

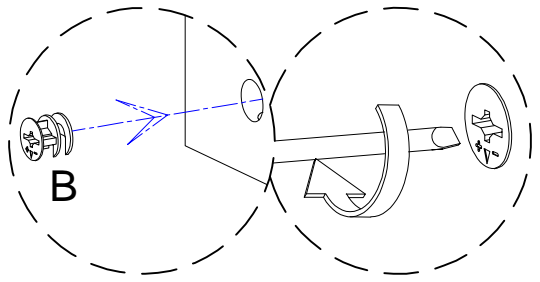
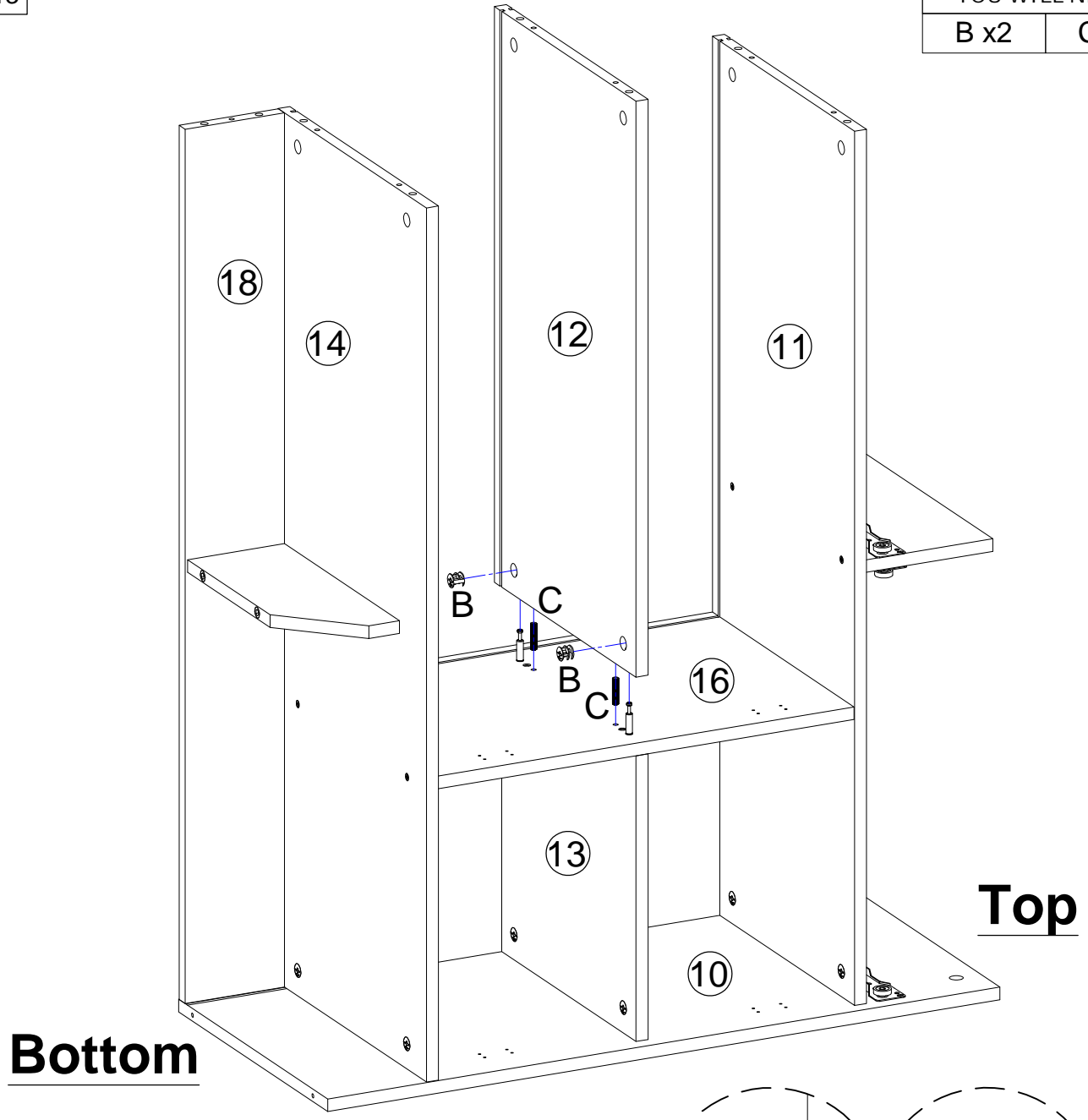
Top

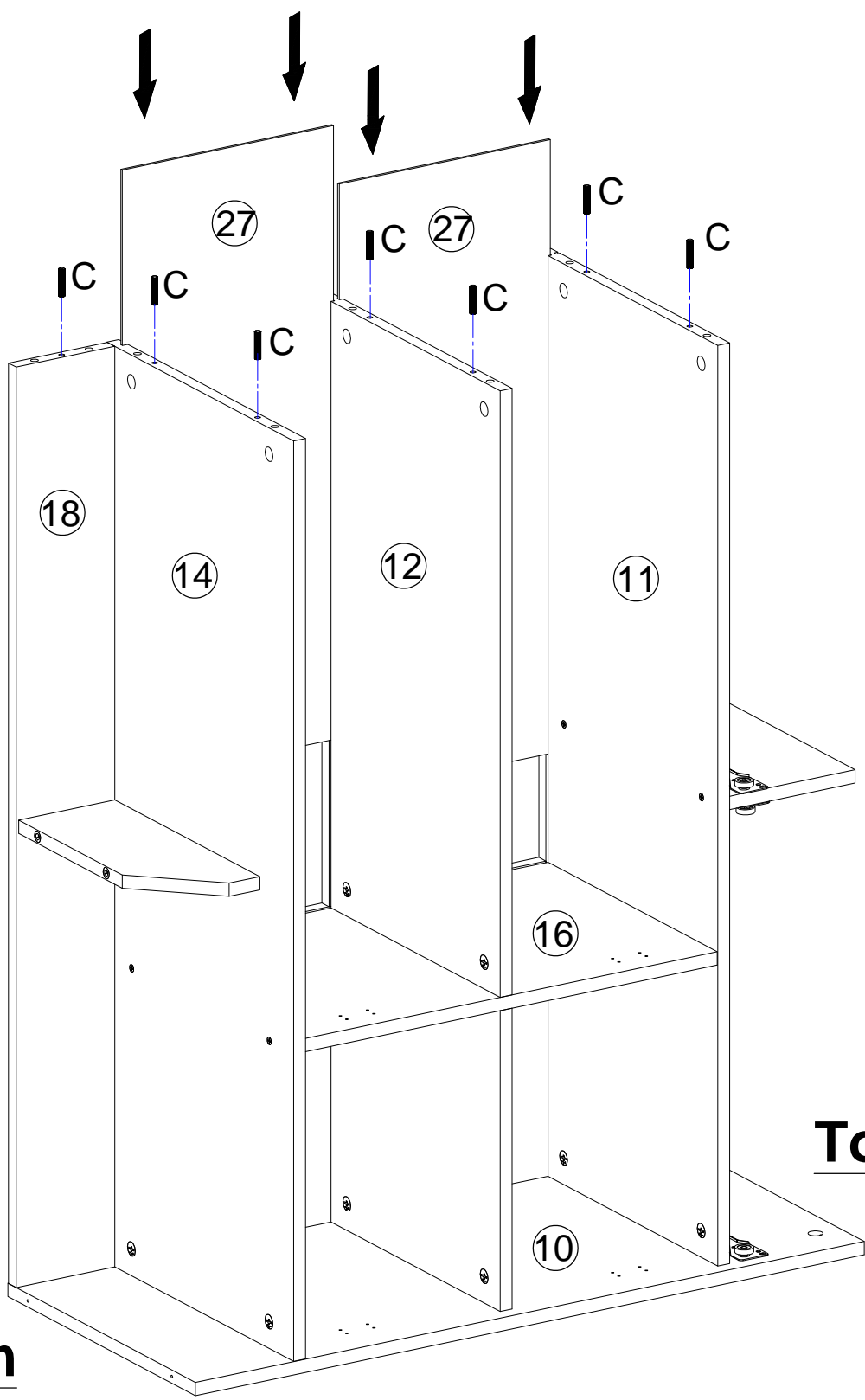


<p>HOW TO</p>  <p>Cam lock</p>  <p>Cam bolt</p>	<p>1</p>  <p>A</p> <p>1. Screw Cam Bolt into panel</p>	<p>2</p>  <p>A</p> <p>2. Insert Cam Bolt into bolt hole of joining panel.</p>	<p>3</p>  <p>A B</p> <p>3. Insert Cam Lock with arrow facing bolt.</p>	<p>4</p>  <p>B</p> <p>4. Gently turn Cam Lock 180° clockwise to lock into position.</p>
--	--	---	--	---

13


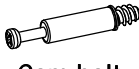
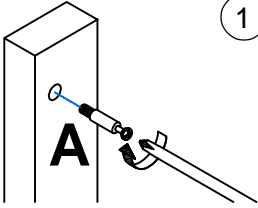
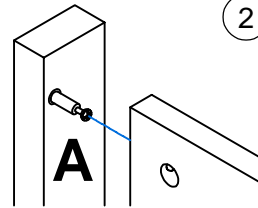
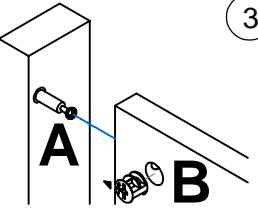
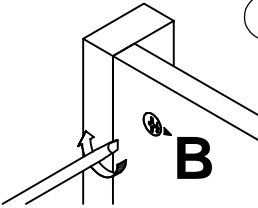
YOU WILL NEED	
B x2	C x2





Bottom

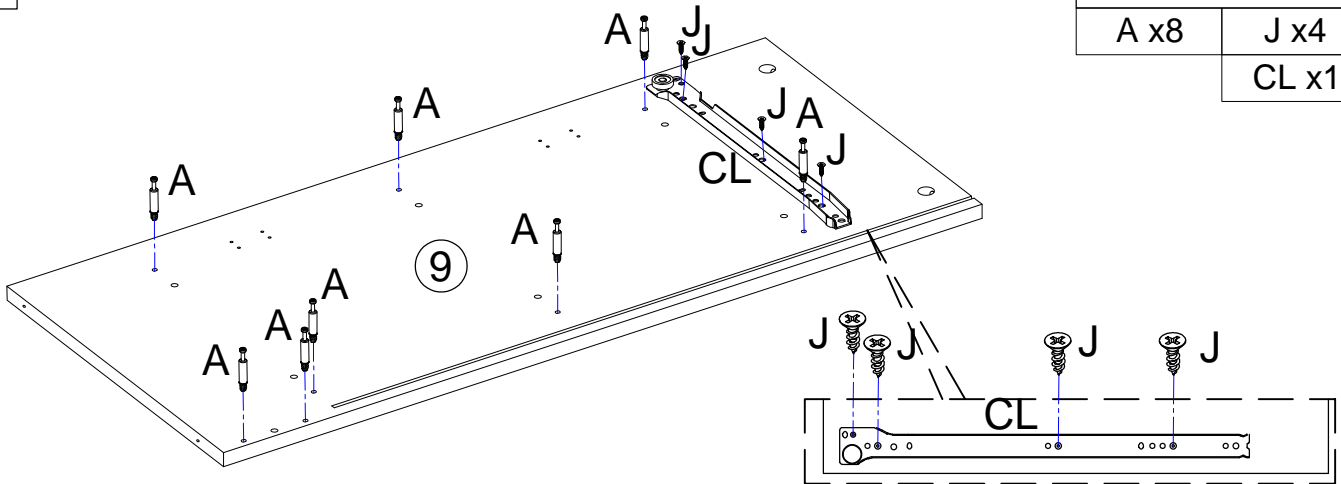
Top

<p>HOW TO</p>  <p>Cam lock</p>  <p>Cam bolt</p>	<p>1</p>  <p>A</p> <p>1. Screw Cam Bolt into panel</p>	<p>2</p>  <p>A</p> <p>2. Insert Cam Bolt into bolt hole of joining panel.</p>	<p>3</p>  <p>A B</p> <p>3. Insert Cam Lock with arrow facing bolt.</p>	<p>4</p>  <p>B</p> <p>4. Gently turn Cam Lock 180° clockwise to lock into position.</p>
--	--	---	--	---

15

YOU WILL NEED

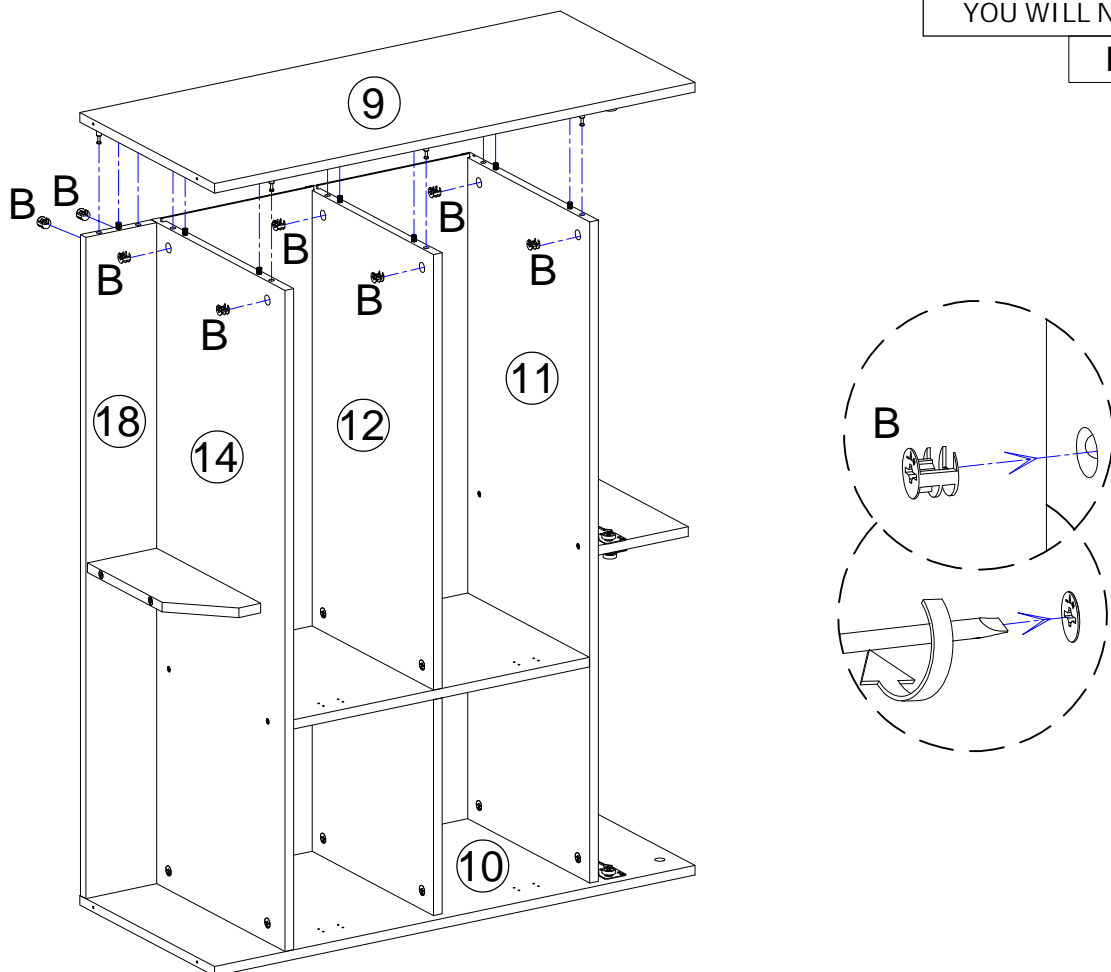
A x8	J x4
	CL x1



16

YOU WILL NEED

B x8



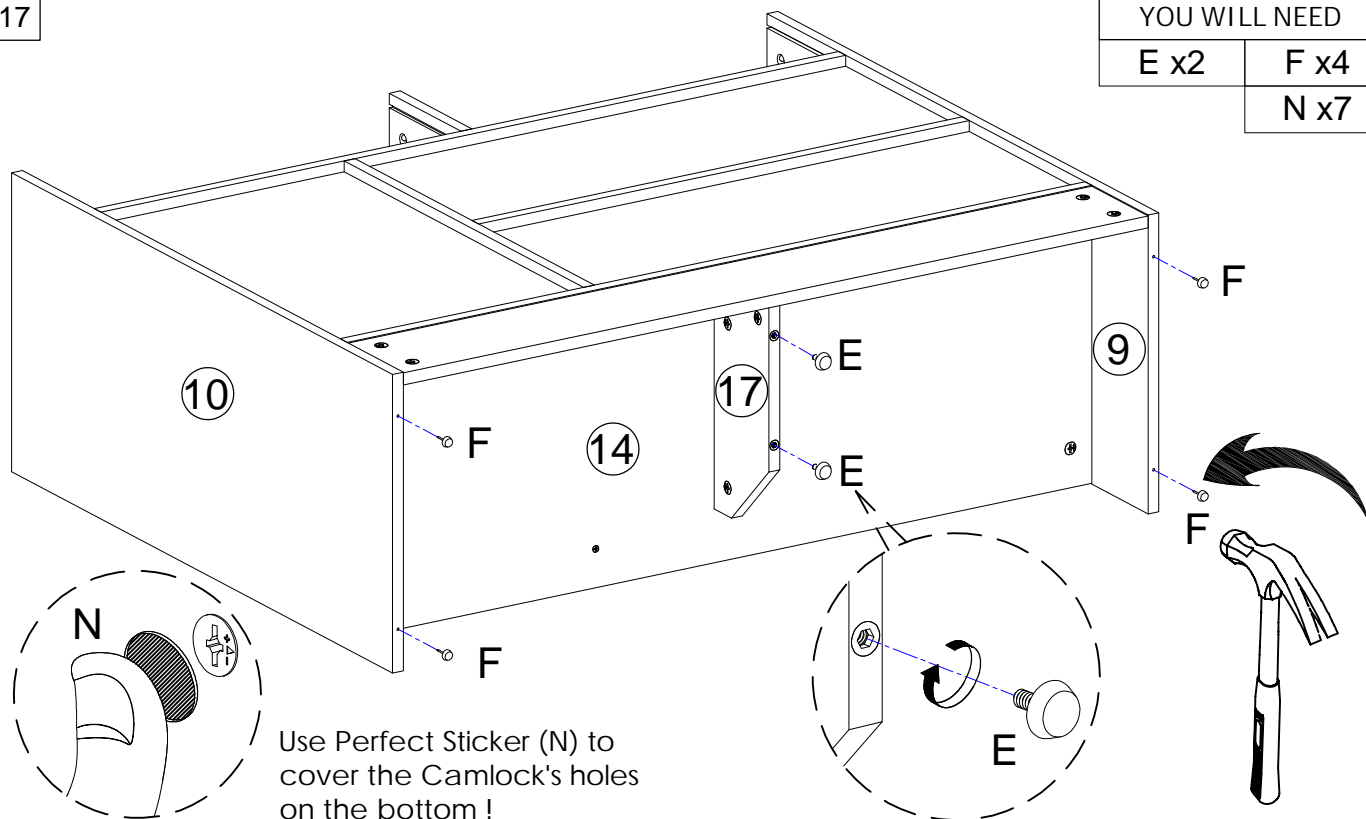
17

YOU WILL NEED

E x2

F x4

N x7

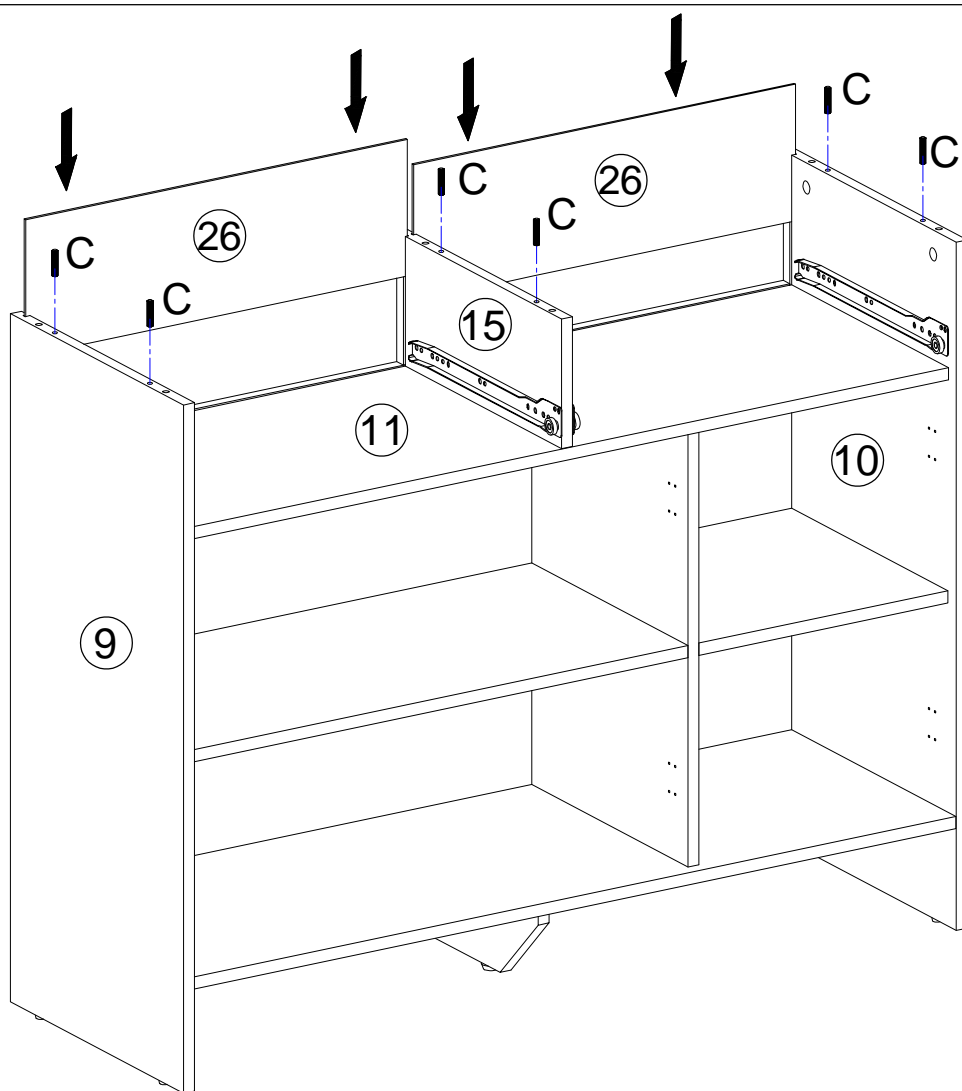


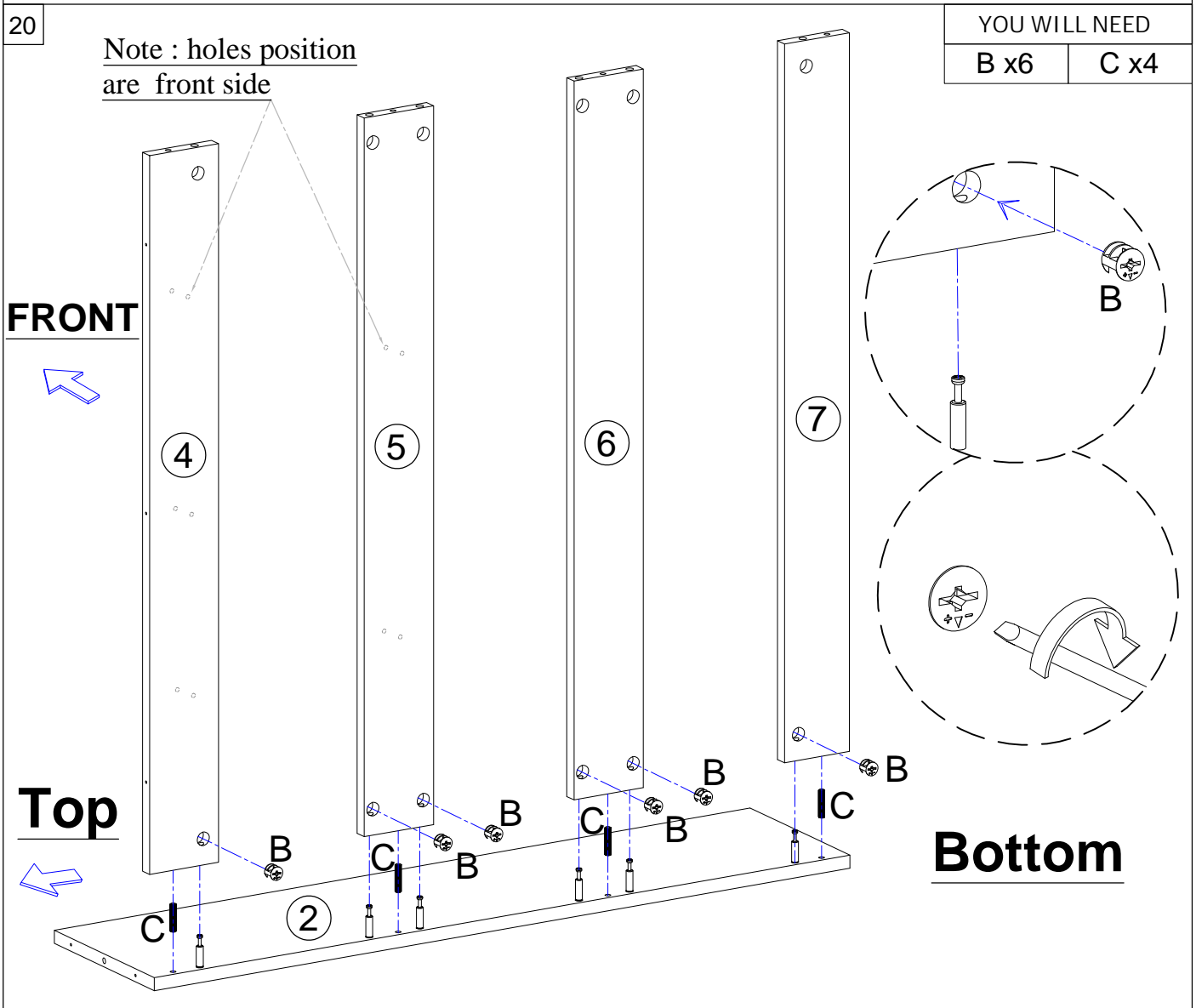
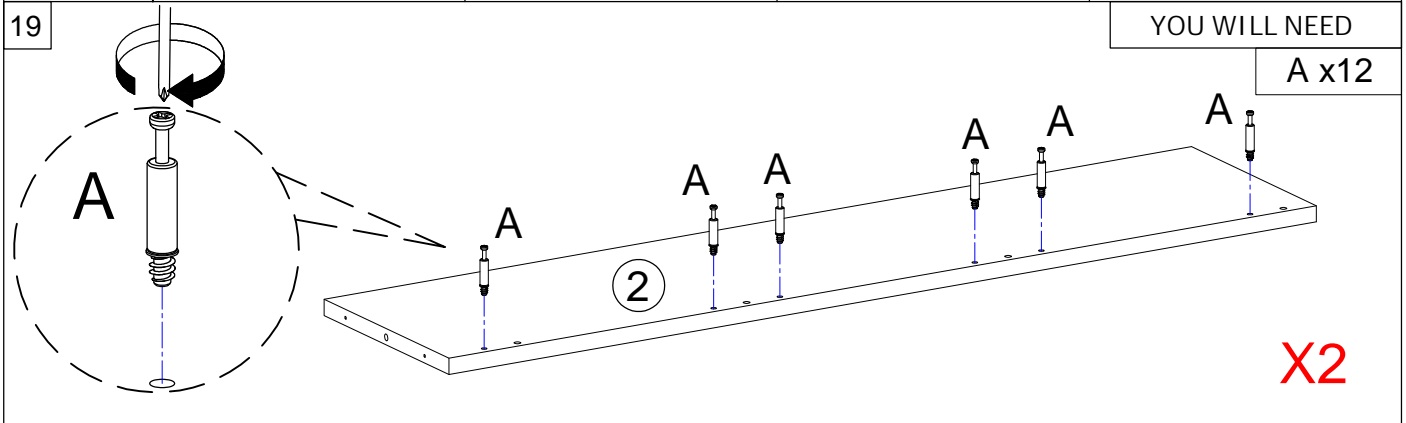
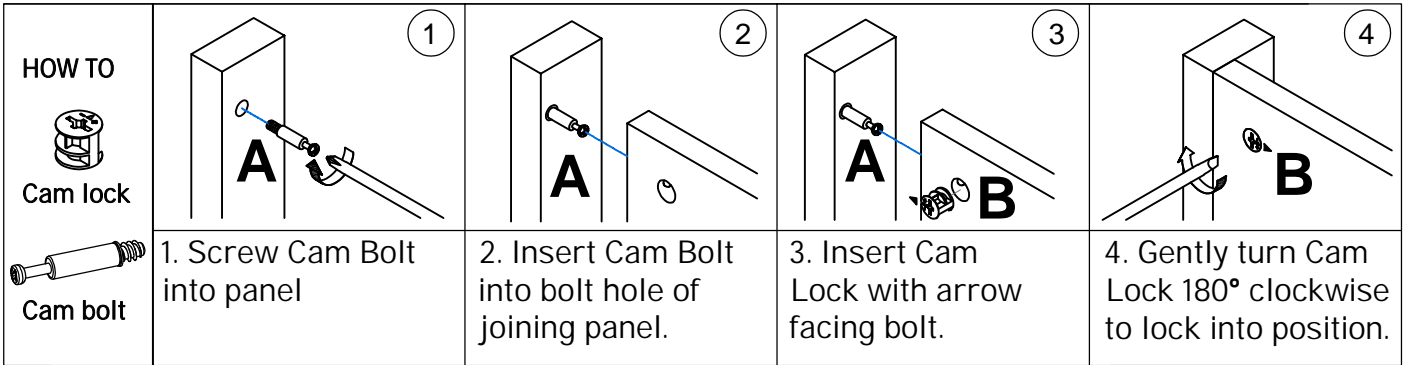
Use Perfect Sticker (N) to cover the Camlock's holes on the bottom !



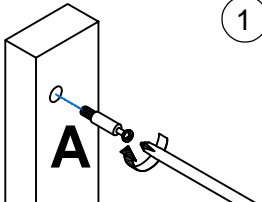
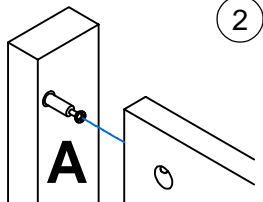
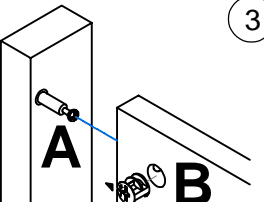
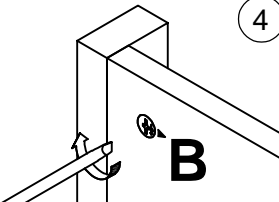
18

YOU WILL NEED

C x6





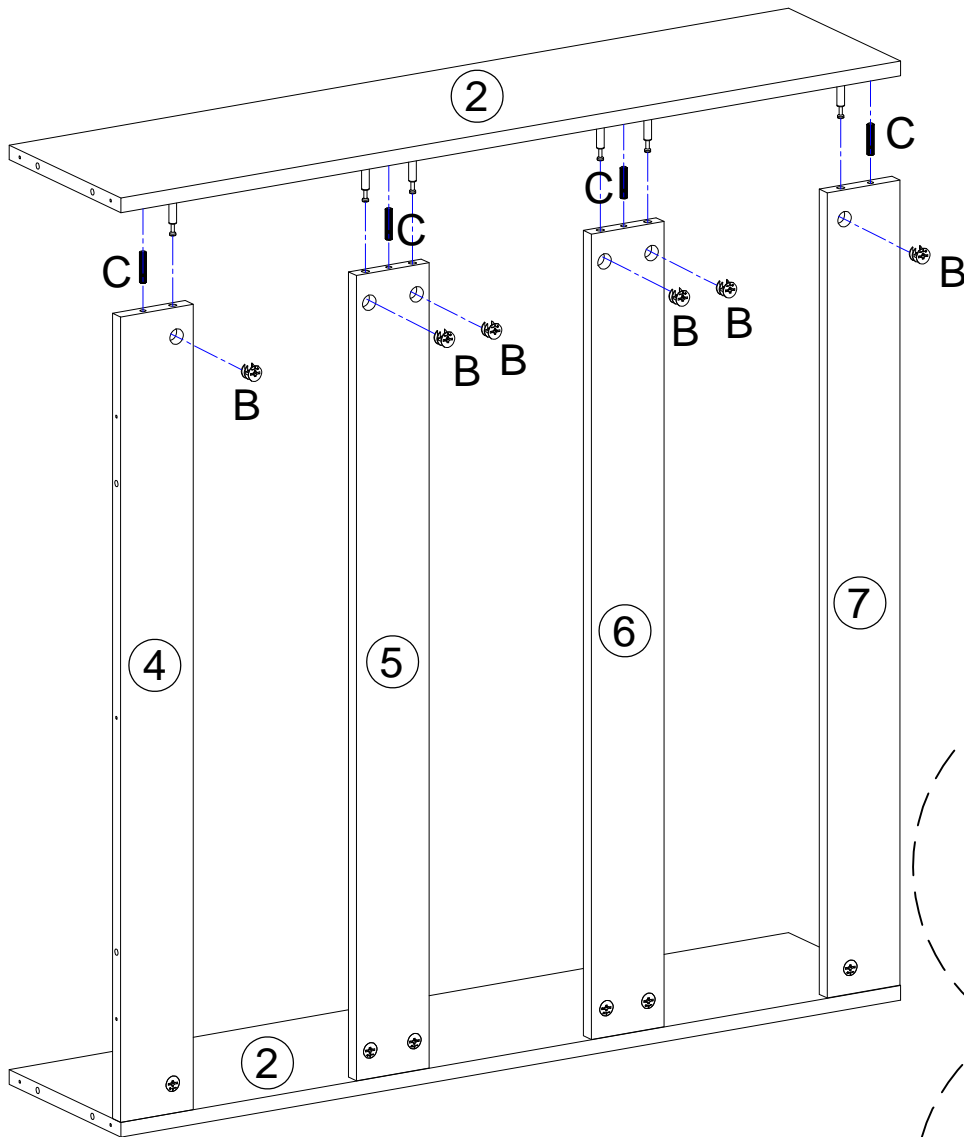
<p>HOW TO</p>  <p>Cam lock</p>  <p>Cam bolt</p>	<p>1</p>  <p>A</p> <p>1. Screw Cam Bolt into panel</p>	<p>2</p>  <p>A</p> <p>2. Insert Cam Bolt into bolt hole of joining panel.</p>	<p>3</p>  <p>A B</p> <p>3. Insert Cam Lock with arrow facing bolt.</p>	<p>4</p>  <p>B</p> <p>4. Gently turn Cam Lock 180° clockwise to lock into position.</p>
---	--	---	--	---

21

YOU WILL NEED

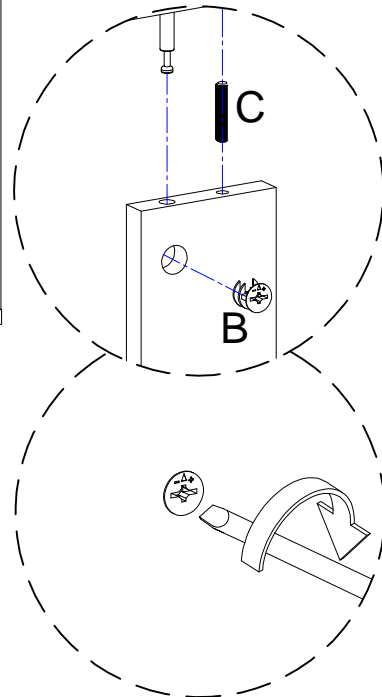
B x6

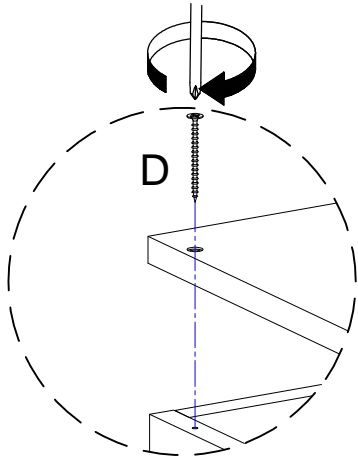
C x4



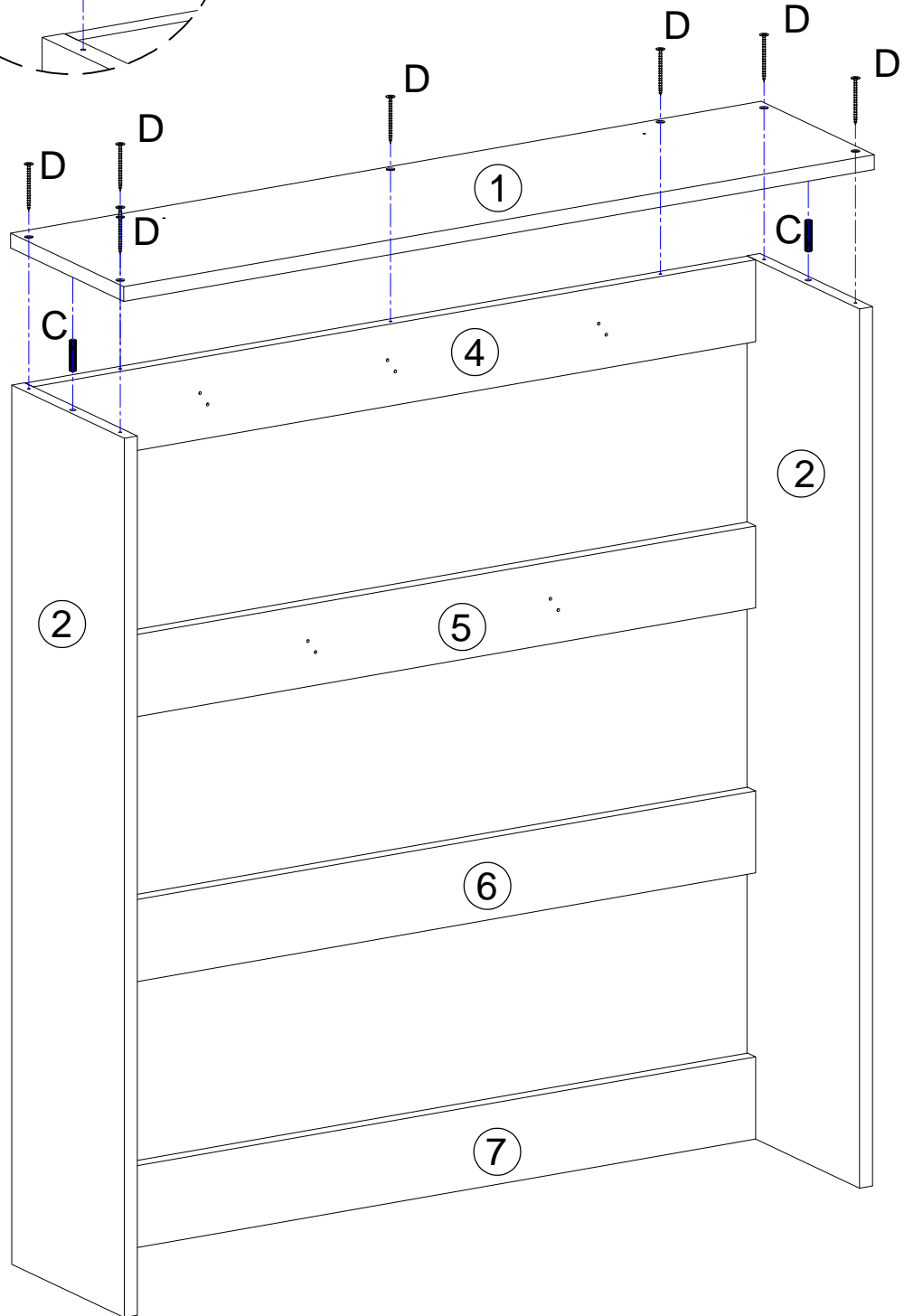
Bottom

Top



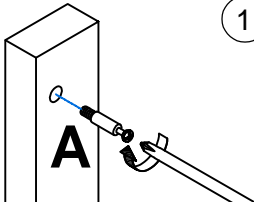
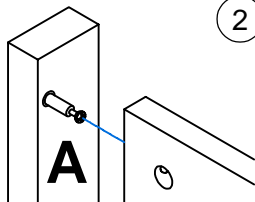
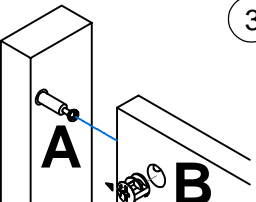
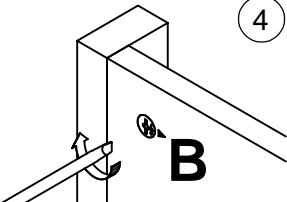




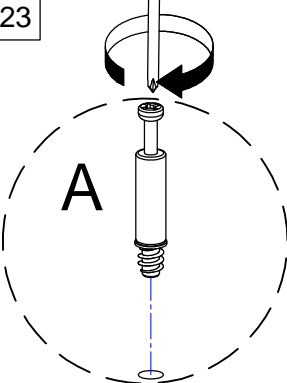
Top



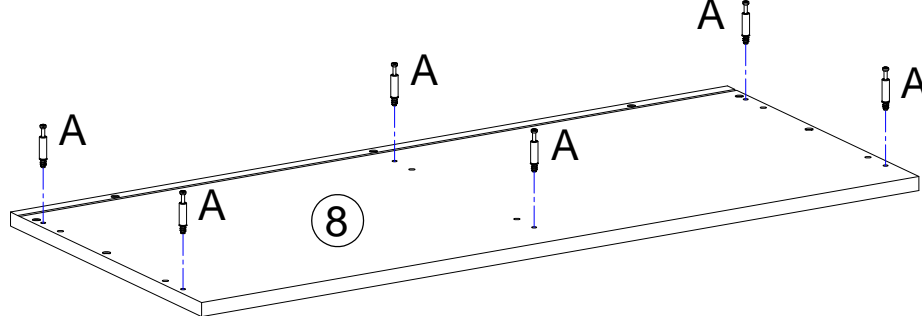
Bottom

<p>HOW TO</p>  <p>Cam lock</p>  <p>Cam bolt</p>	<p>1</p>  <p>A</p> <p>1. Screw Cam Bolt into panel</p>	<p>2</p>  <p>A</p> <p>2. Insert Cam Bolt into bolt hole of joining panel.</p>	<p>3</p>  <p>A B</p> <p>3. Insert Cam Lock with arrow facing bolt.</p>	<p>4</p>  <p>B</p> <p>4. Gently turn Cam Lock 180° clockwise to lock into position.</p>
--	--	---	--	---

23



A

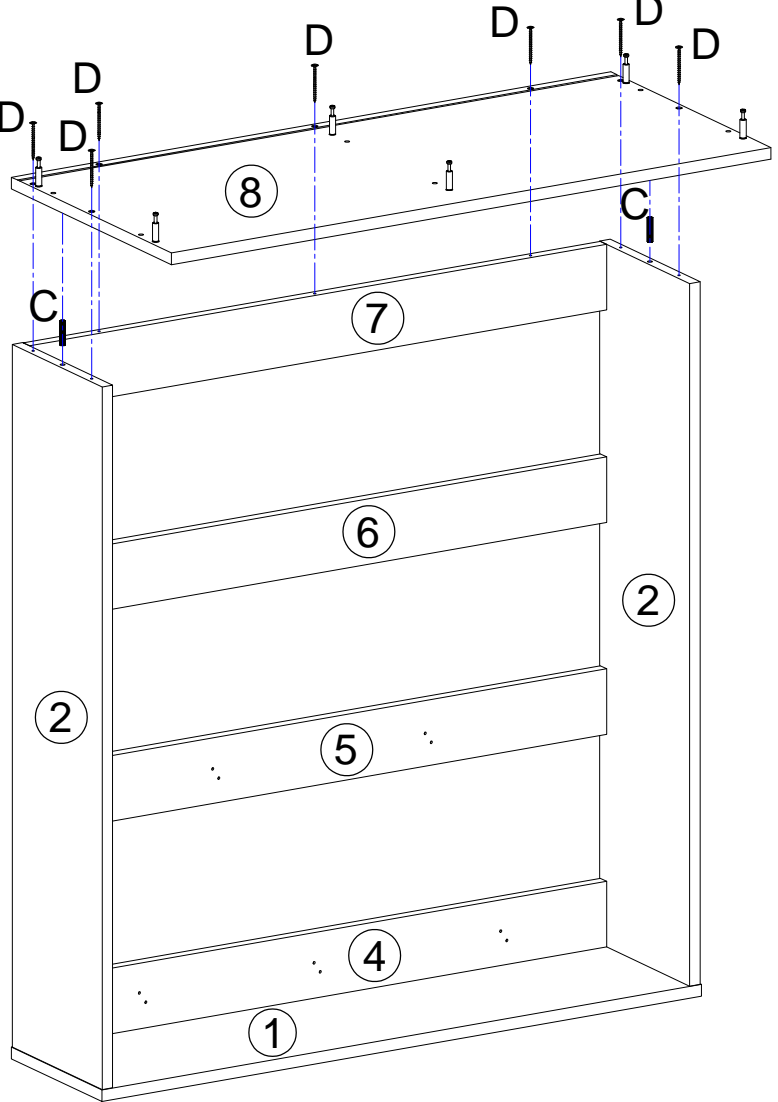


A **A** **A** **A** **A** **A**

8

YOU WILL NEED	
A x6	

24



D **D** **D** **D** **D** **D** **D** **D**


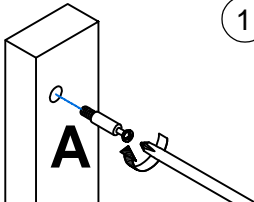
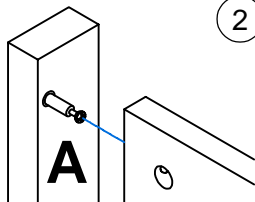
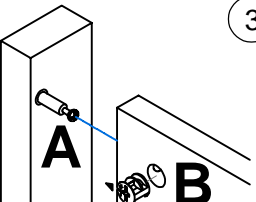
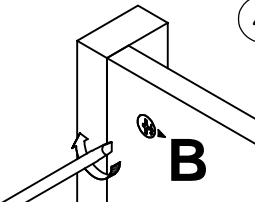
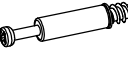
C **C**

8 **7** **6** **5** **4** **2** **1**

YOU WILL NEED	
D x7	C x2

Bottom

Top

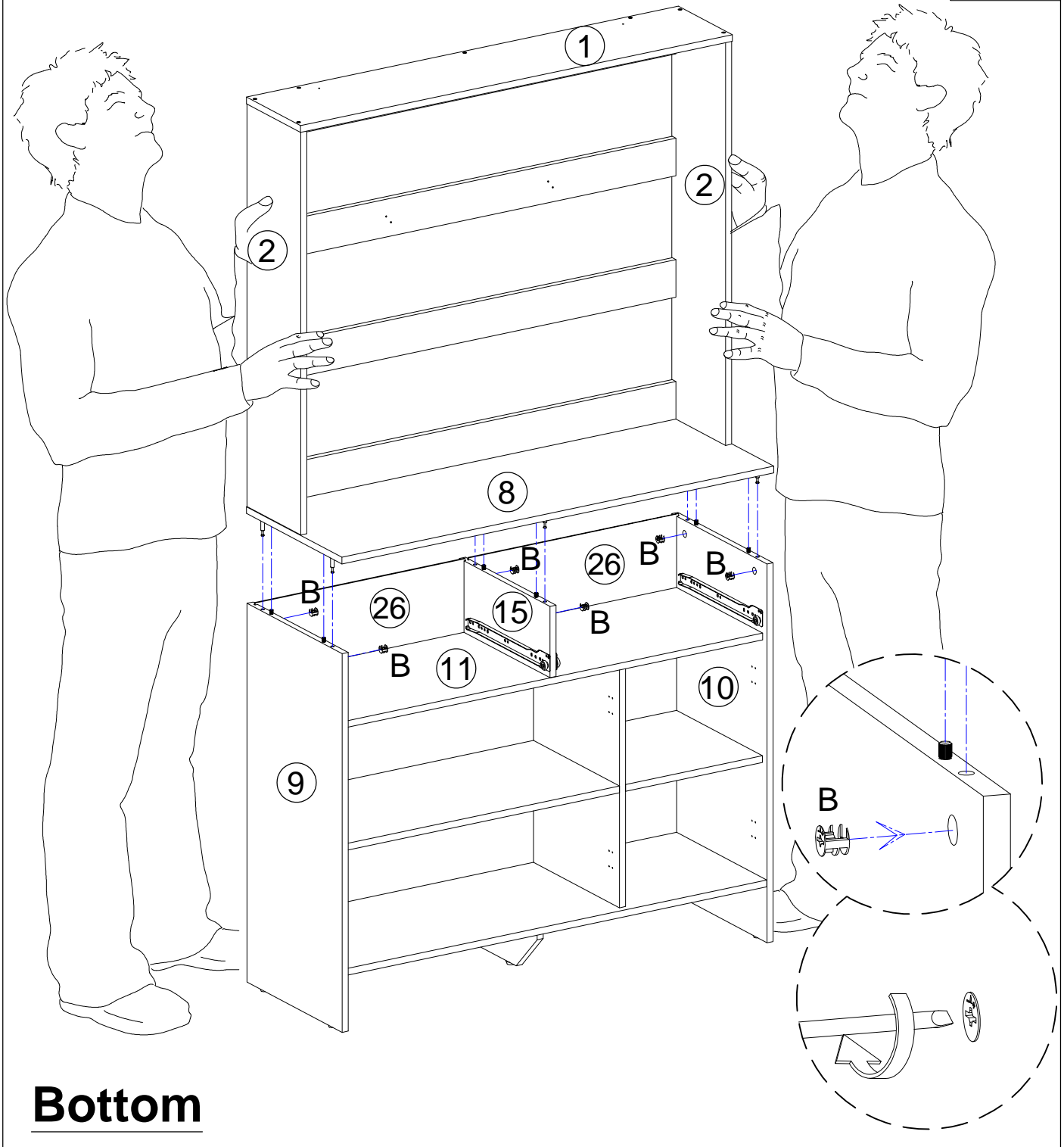
<p>HOW TO</p>  <p>Cam lock</p>	 <p>1</p>	 <p>2</p>	 <p>3</p>	 <p>4</p>
 <p>Cam bolt</p>	<p>1. Screw Cam Bolt into panel</p>	<p>2. Insert Cam Bolt into bolt hole of joining panel.</p>	<p>3. Insert Cam Lock with arrow facing bolt.</p>	<p>4. Gently turn Cam Lock 180° clockwise to lock into position.</p>

25

Top

YOU WILL NEED

B x6



Bottom

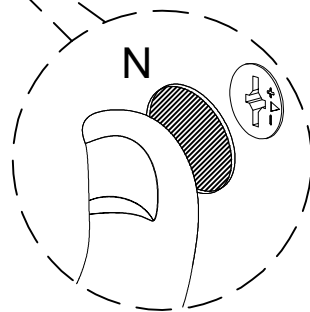
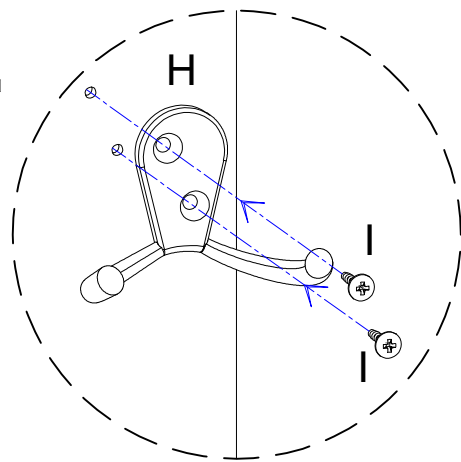
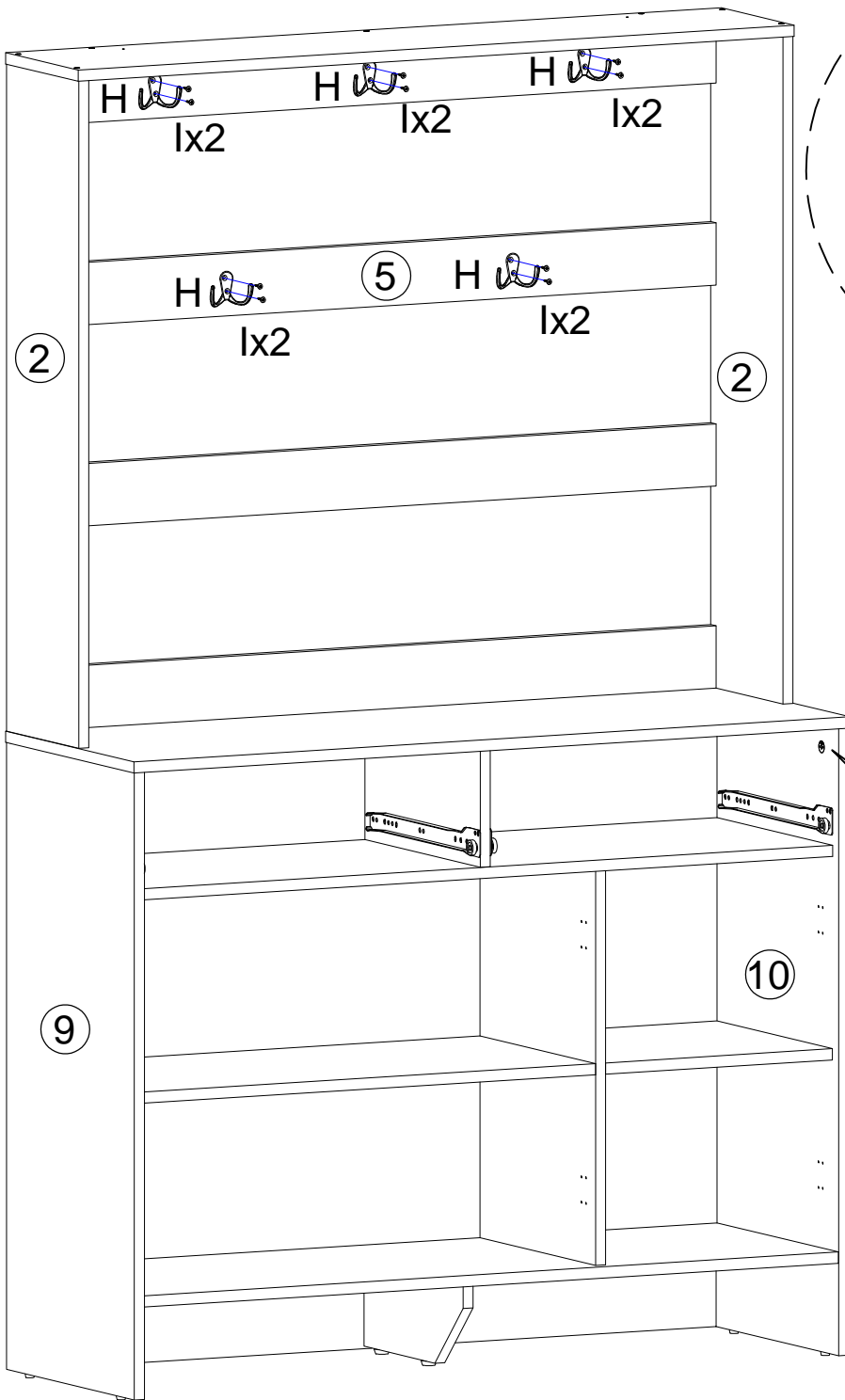
Top

YOU WILL NEED

H x5

I x10

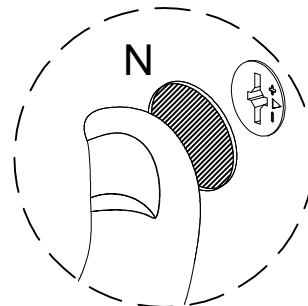
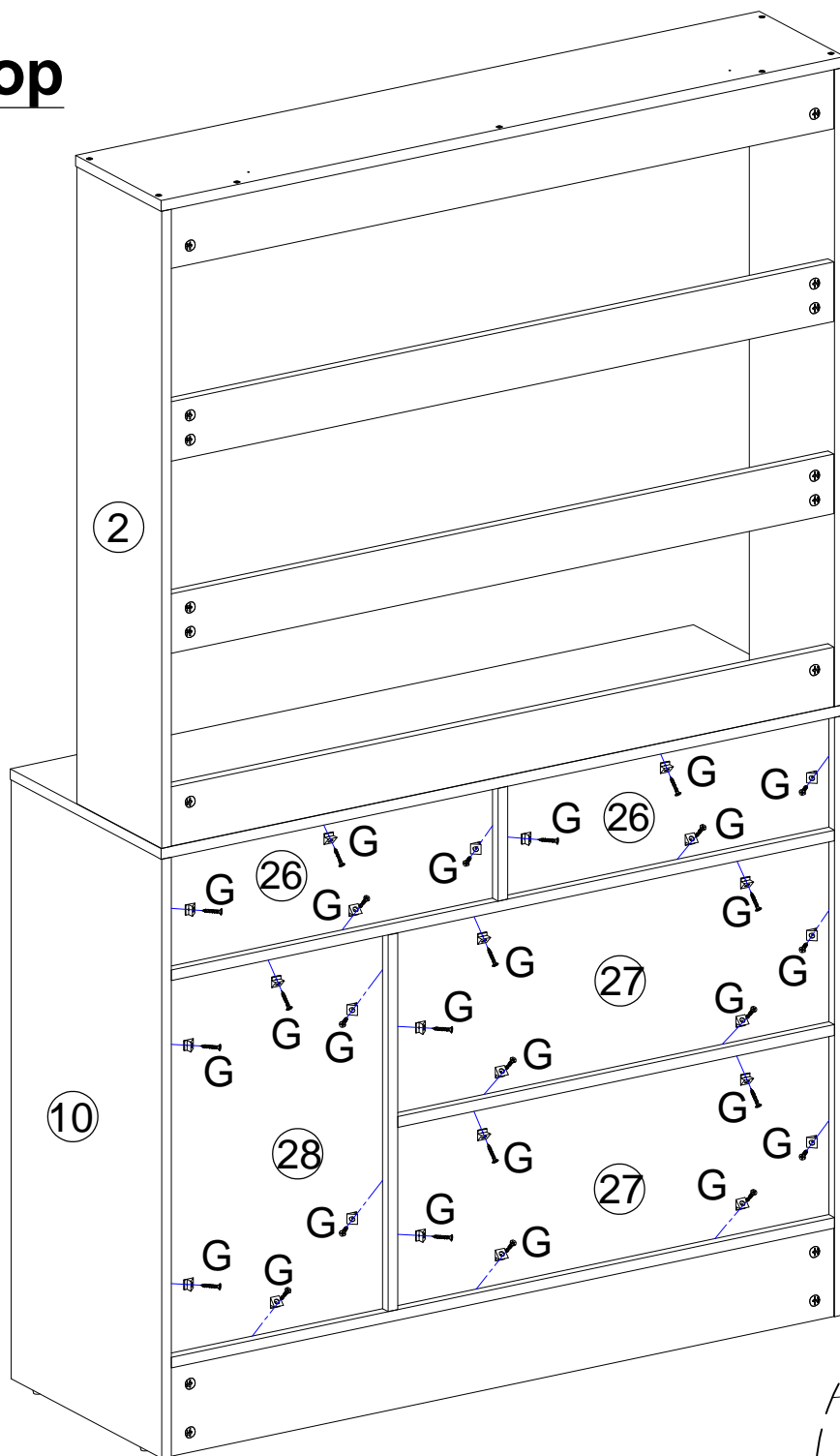
N x18



Use Perfect Sticker (N) to cover the Camlock's holes on inside !

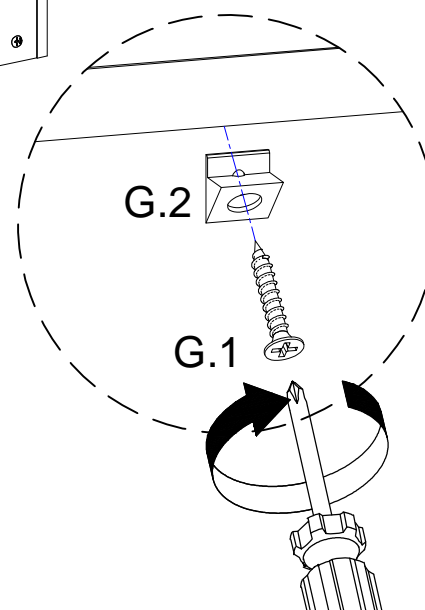
Bottom

Top

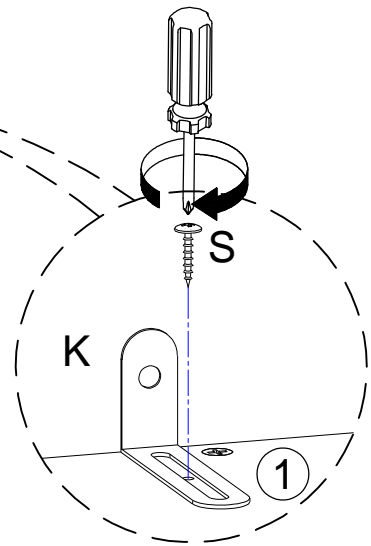
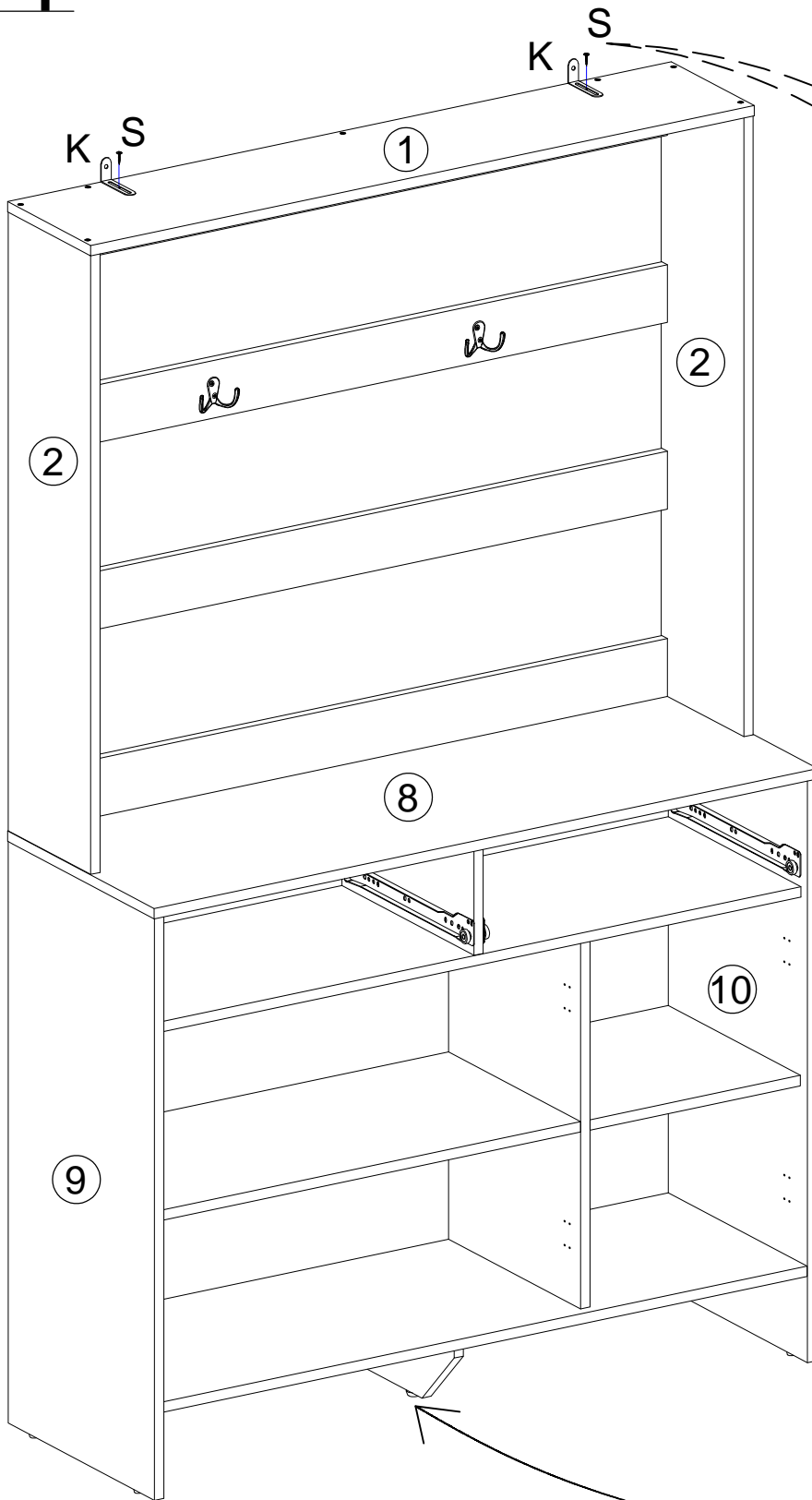


Use Perfect Sticker (N) to cover the Camlock's holes on back side !

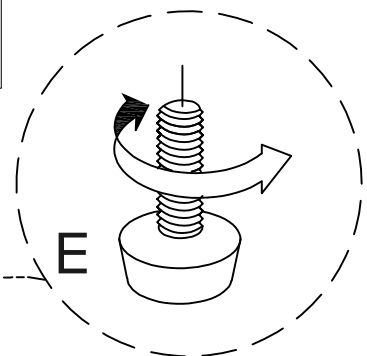
Bottom



Top

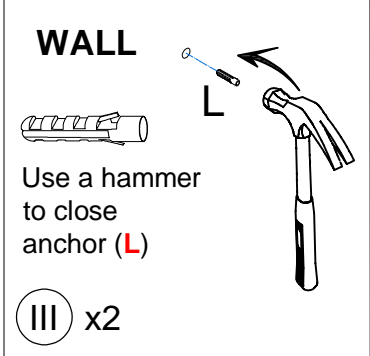
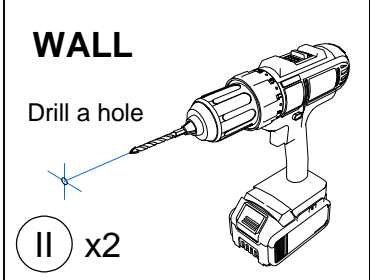
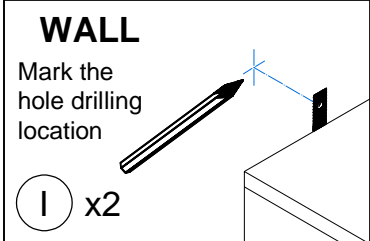
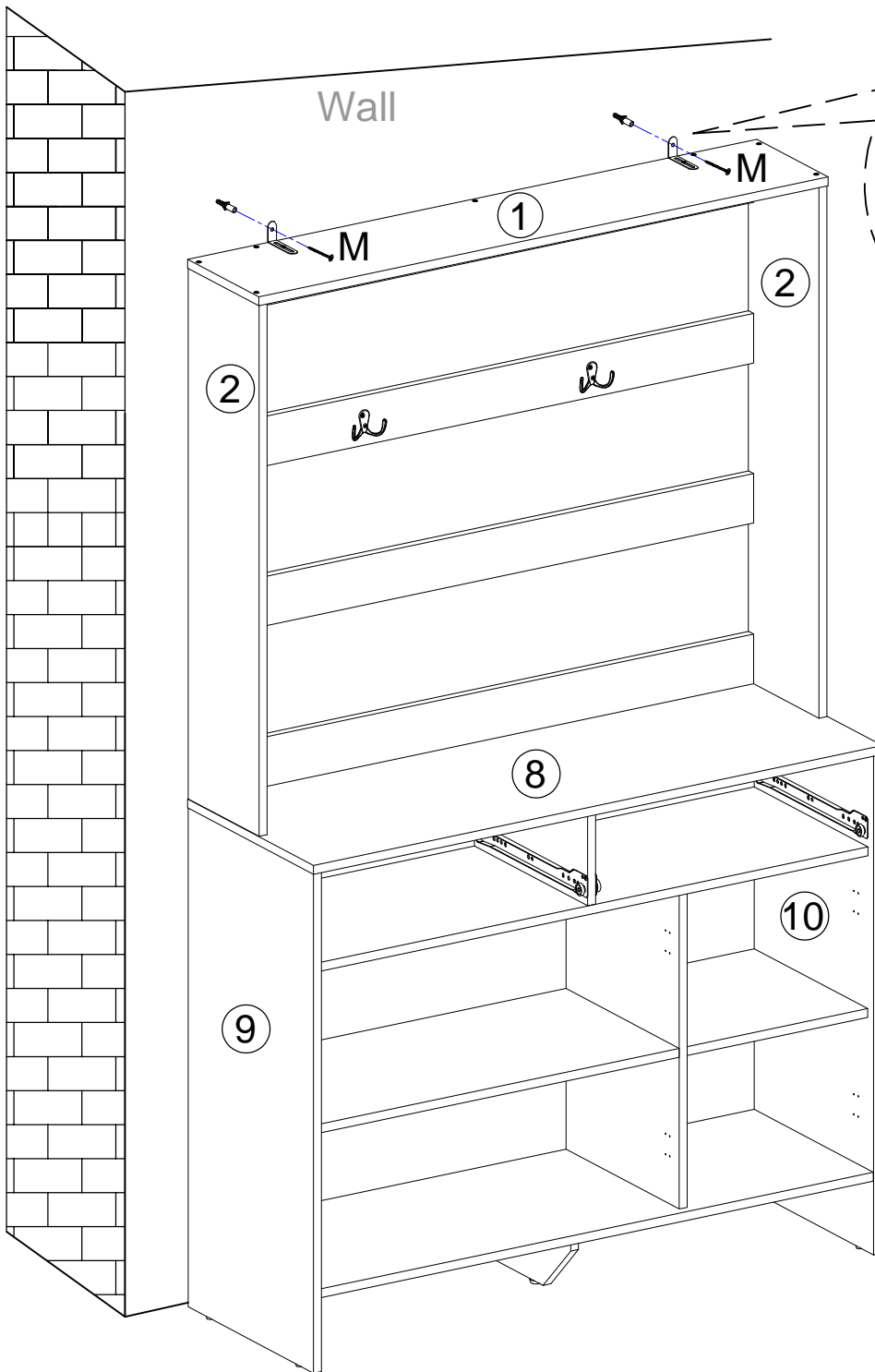


After assembly: If the product is not balanced, please adjust the adjustable feet "E" to the appropriate position



Bottom

YOU WILL NEED	
L x2	M x2



Step1: determine the location of the anti-overturning on the wall and then mark the position after confirming the product has been balanced.

Step 2: drill the holes and then fixed the anchor (L) on the wall

Step 3: use screw (M) to fix the Pat (K) on the wall

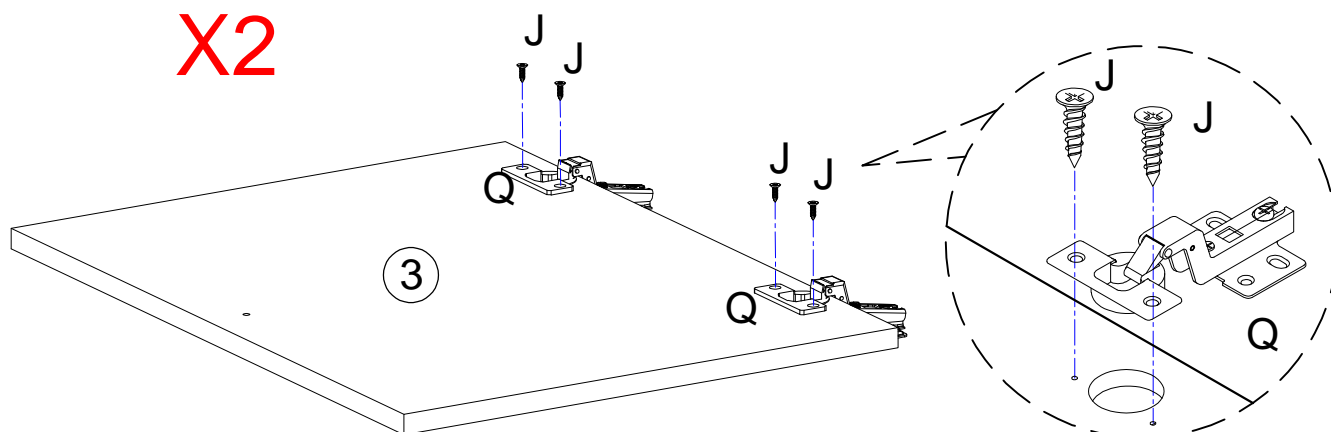
30

YOU WILL NEED

J x8

Q x4

X2



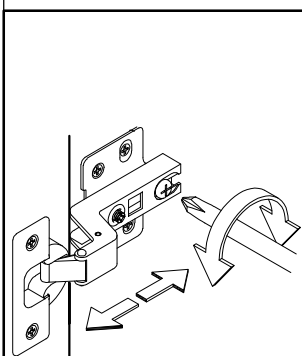
31

YOU WILL NEED

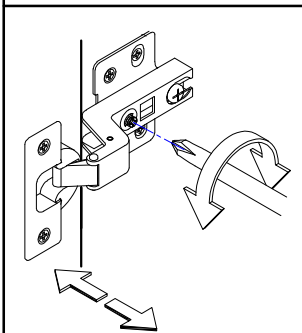
J x16

O x2

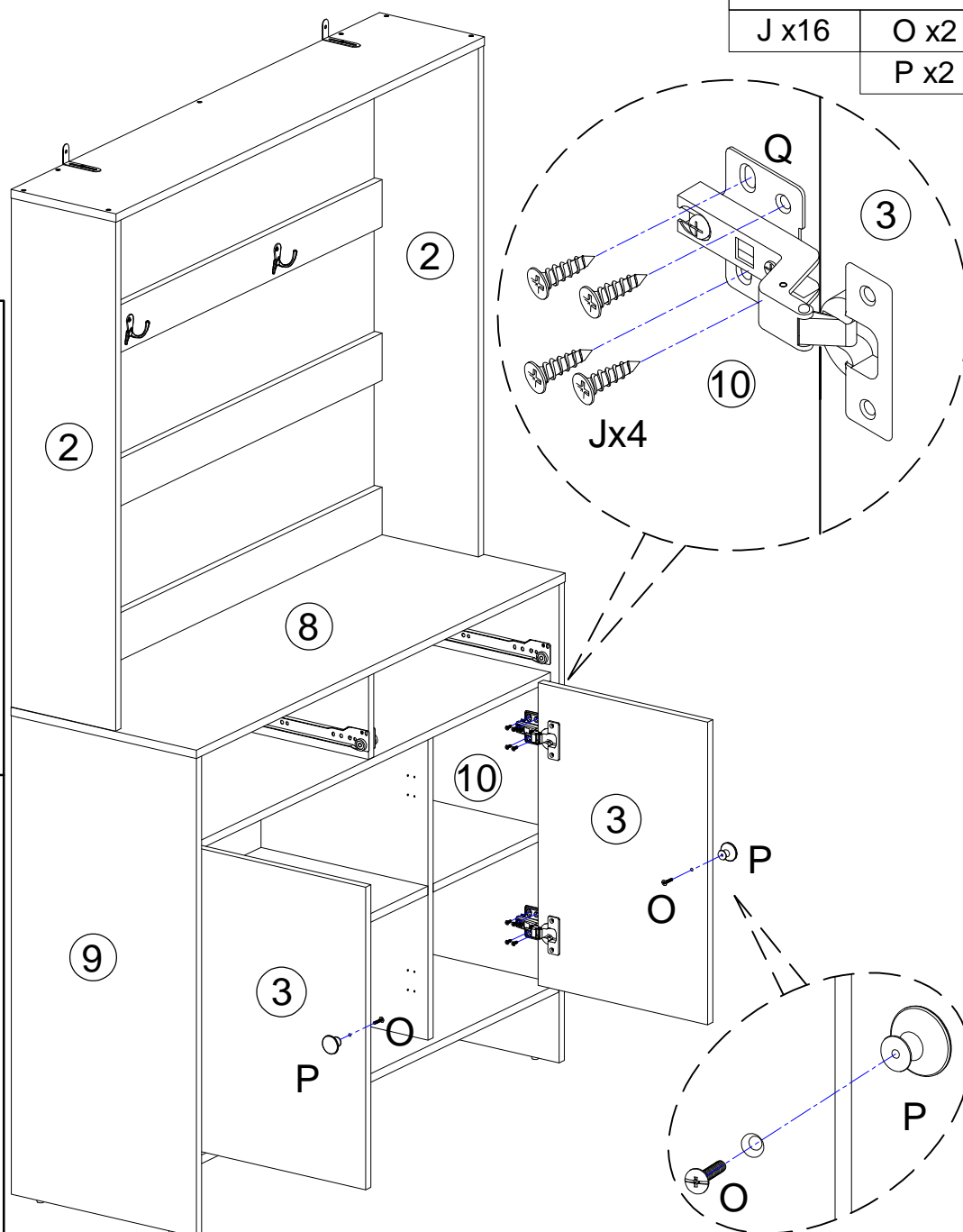
P x2



Adjust the door to run Back or Front



Adjust the door Left or Right

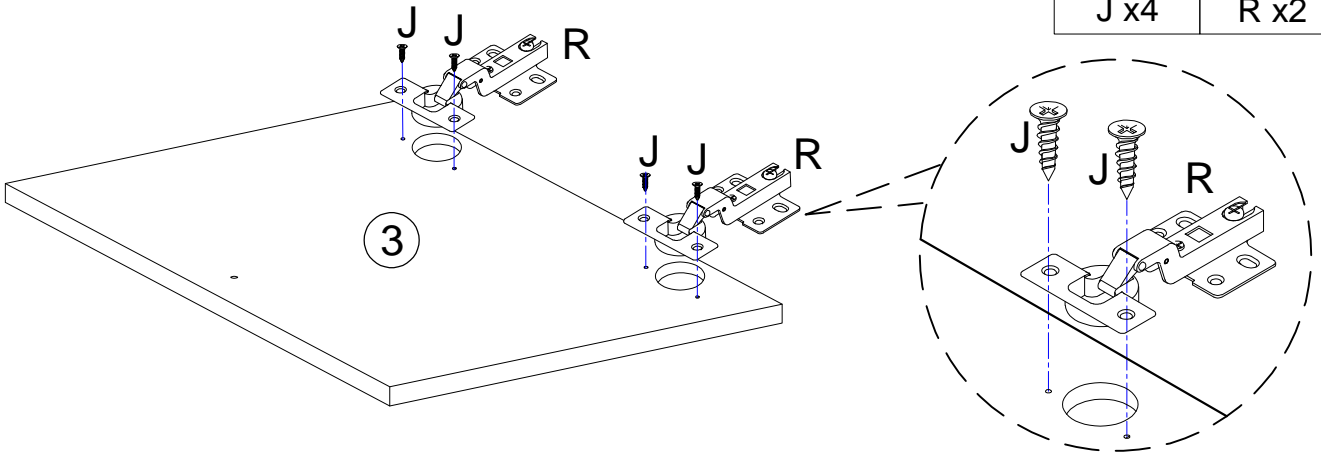


32

YOU WILL NEED

J x4

R x2



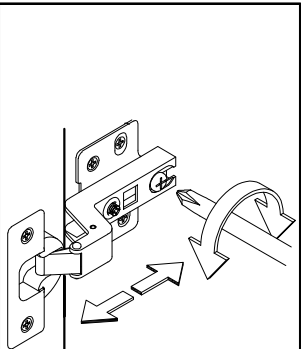
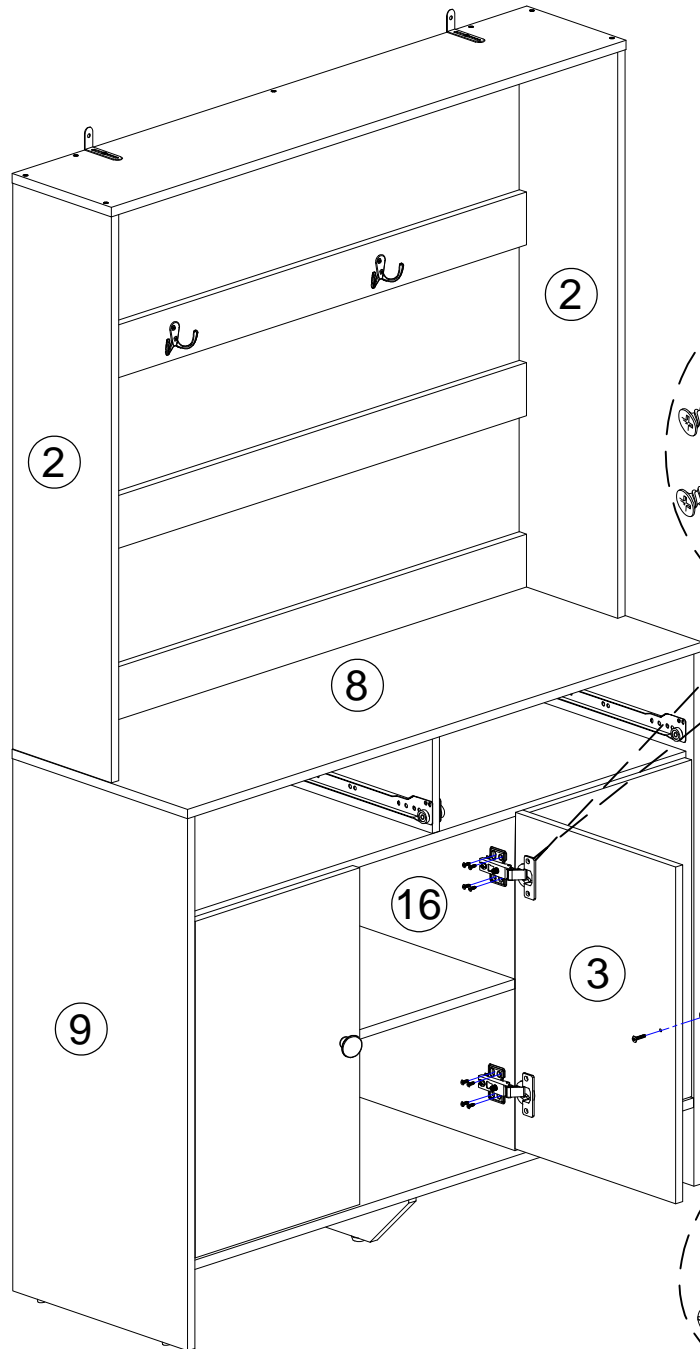
33

YOU WILL NEED

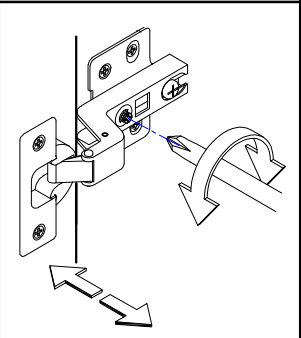
J x8

O x1

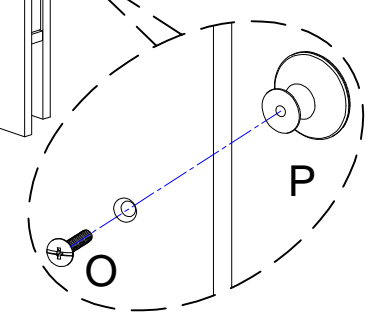
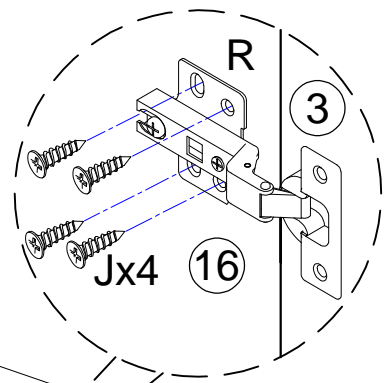
P x1


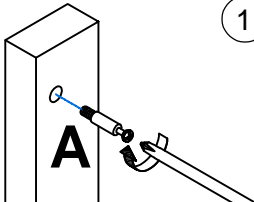
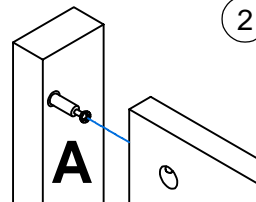
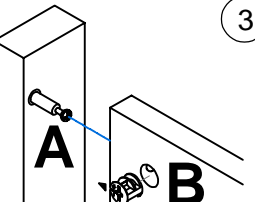
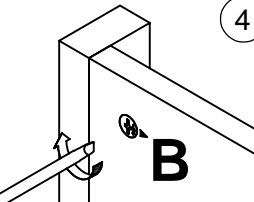
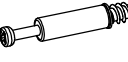


Adjust the door to run Back or Front

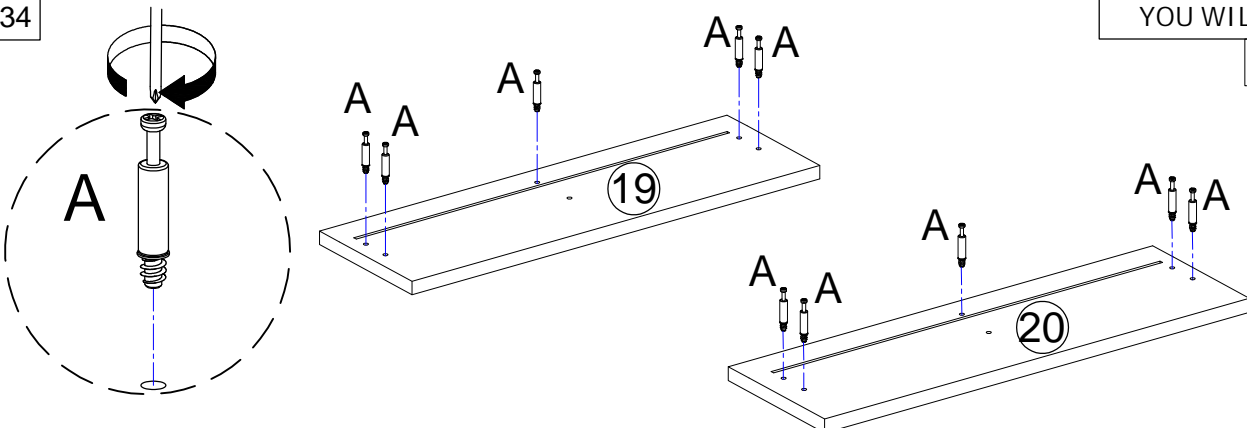


Adjust the door Left or Right



<p>HOW TO</p>  <p>Cam lock</p>	<p>1</p> 	<p>2</p> 	<p>3</p> 	<p>4</p> 
 <p>Cam bolt</p>	<p>1. Screw Cam Bolt into panel</p>	<p>2. Insert Cam Bolt into bolt hole of joining panel.</p>	<p>3. Insert Cam Lock with arrow facing bolt.</p>	<p>4. Gently turn Cam Lock 180° clockwise to lock into position.</p>

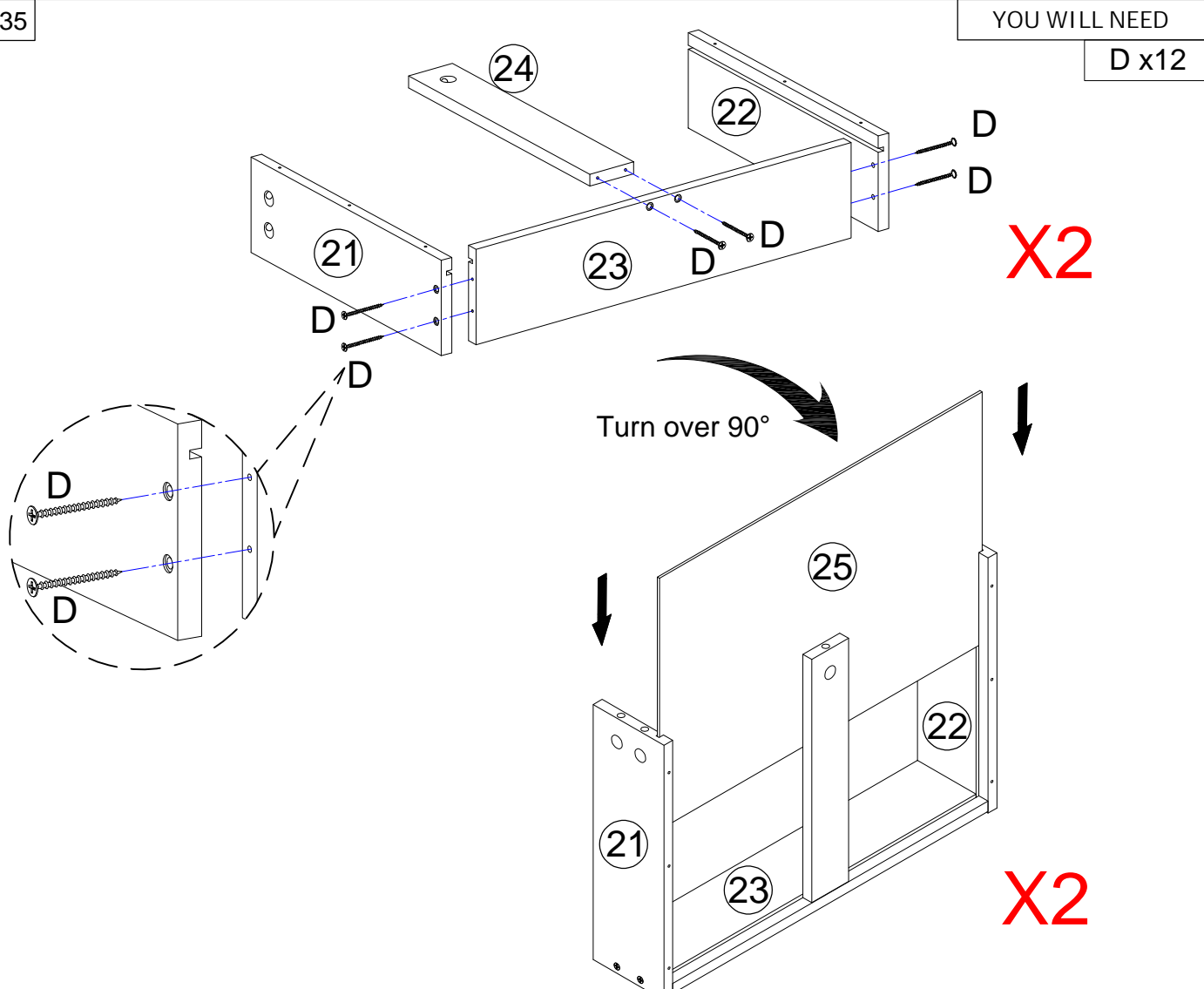
34



YOU WILL NEED

A x10

35




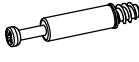
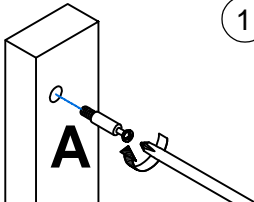
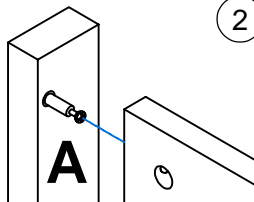
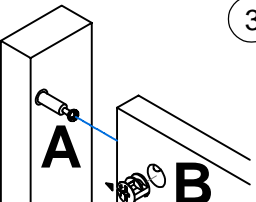
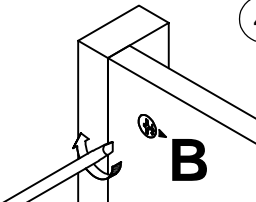
YOU WILL NEED

D x12

X2

Turn over 90°

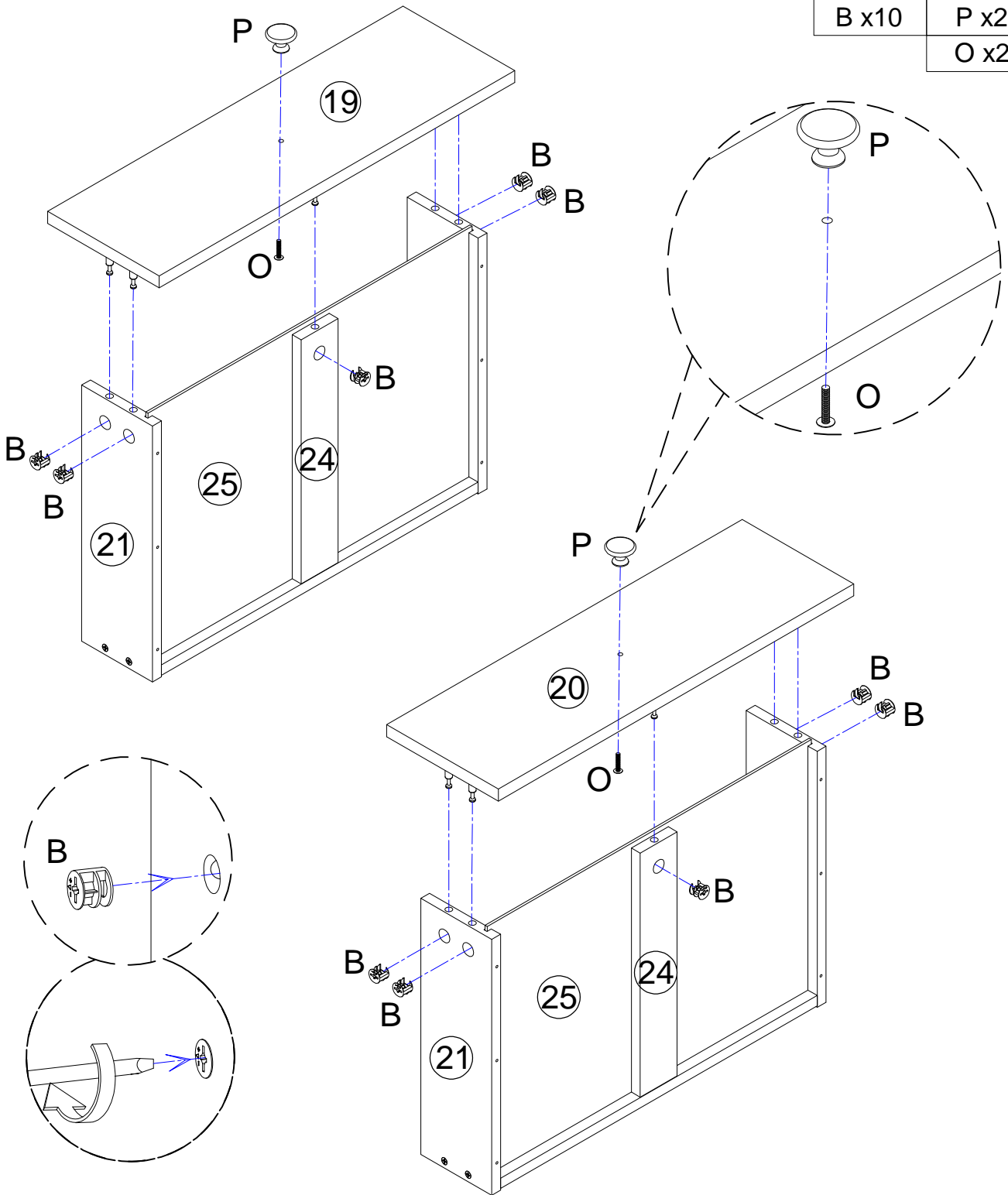
X2

<p>HOW TO</p>  <p>Cam lock</p>  <p>Cam bolt</p>	<p>1</p>  <p>A</p> <p>1. Screw Cam Bolt into panel</p>	<p>2</p>  <p>A</p> <p>2. Insert Cam Bolt into bolt hole of joining panel.</p>	<p>3</p>  <p>A B</p> <p>3. Insert Cam Lock with arrow facing bolt.</p>	<p>4</p>  <p>B</p> <p>4. Gently turn Cam Lock 180° clockwise to lock into position.</p>
--	--	---	--	---

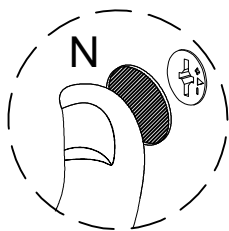
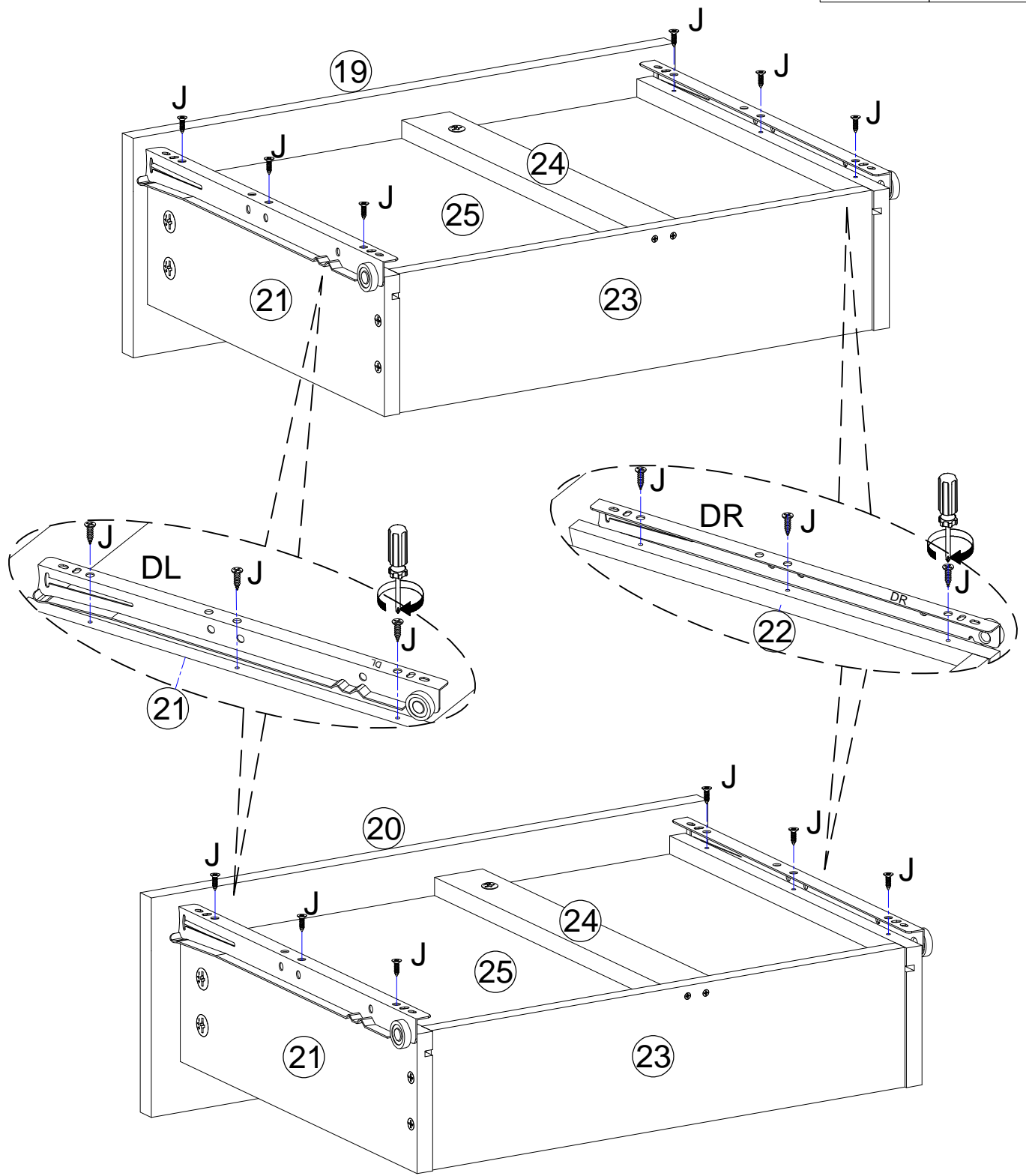
36

YOU WILL NEED

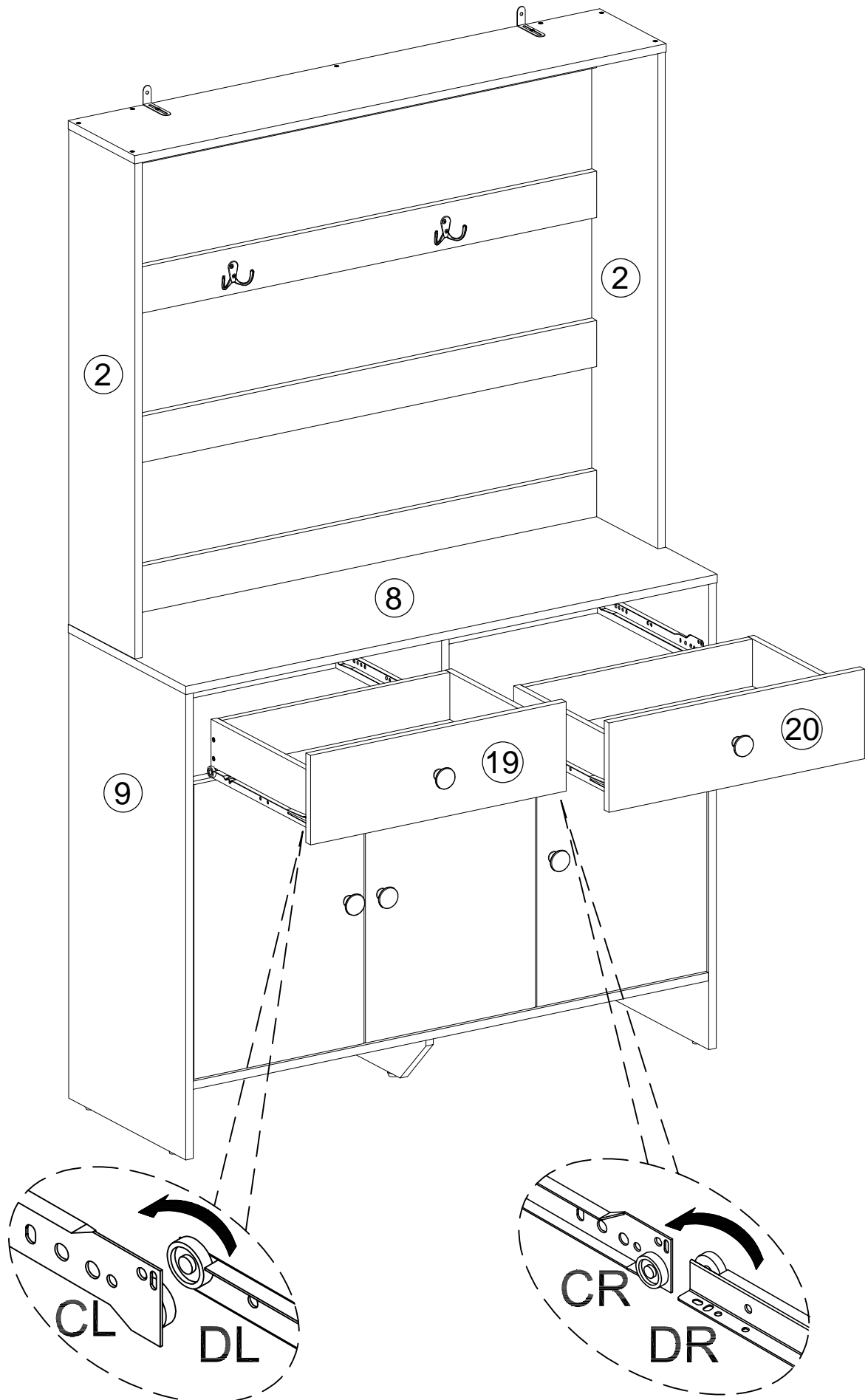
B x10	P x2
	O x2

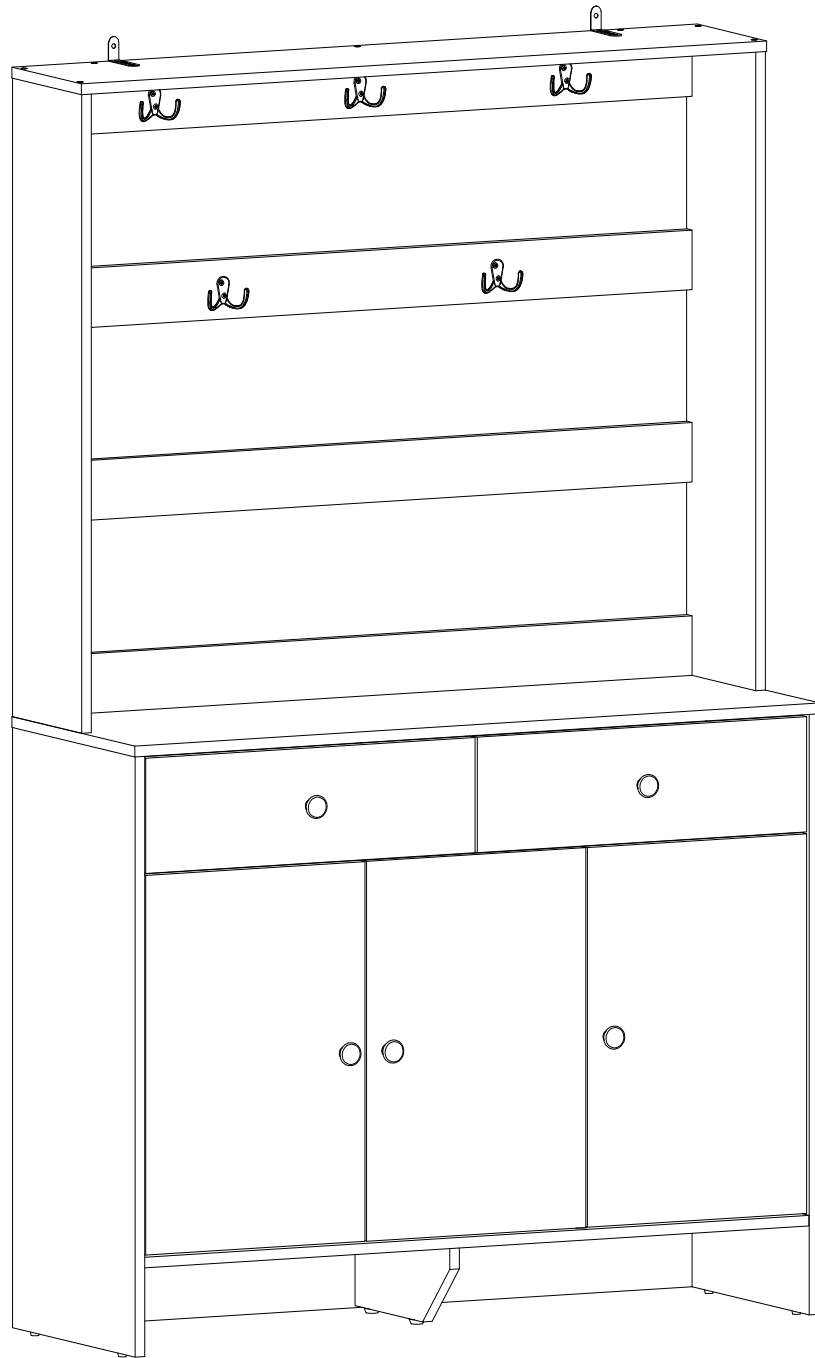


YOU WILL NEED	
DR x2	DL x2
N x10	J x12



Use Perfect Sticker (N) to cover the Camlock's holes !





GUARANTEE

Storage Cabinet offers a 90-days warranty that begins on the date of the original purchase and applies to problems caused by the manufacturer. For questions, assistance, or support, please contact the Customer Service by e-mail with your order number and details. We will send you further information about the solution.