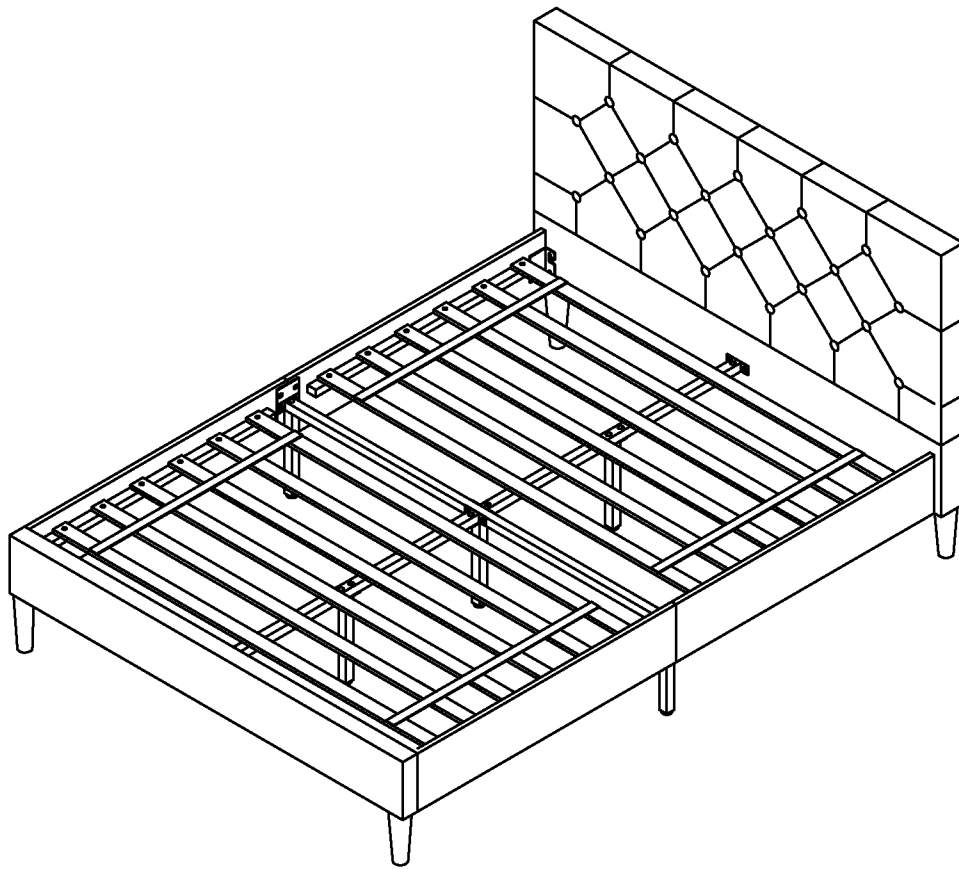


Assembly Instructions



ASSEMBLY RATING

The Assembly Rating is a 5-point system that shows the degree of effort needed in assembling a specific product (with 1 being easy and 5 being difficult). For some products, two persons are recommended.

EASY



DIFFICULT

Tools Required For Assembly:

Allen Wrench



(Included)

Phillips Screwdriver



(Not Included)

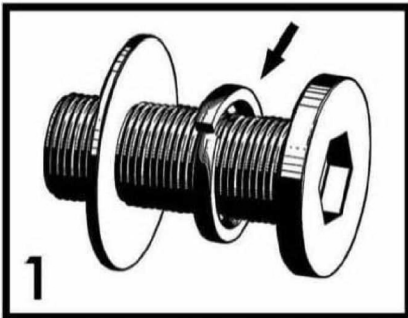


2 PERSONS RECOMMENDED

ASSEMBLY & CARE ADVICE

FOR YOUR FURNITURE TO LAST, CORRECT ASSEMBLY AND PROPER MAINTENANCE ARE NECESSARY. PLEASE FOLLOW THE INFORMATION PROVIDED BELOW TO FULLY ENJOY YOUR FURNITURE.

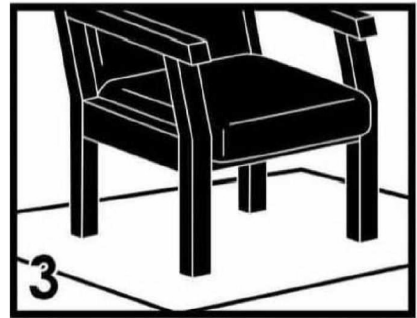
BASIC ASSEMBLY TECHNIQUES



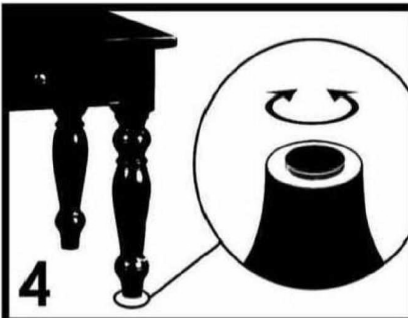
When lock or spring washer is used in an assembly, please make sure the lock or spring washer is placed between the larger flat washer and the head of the screw or bolt.



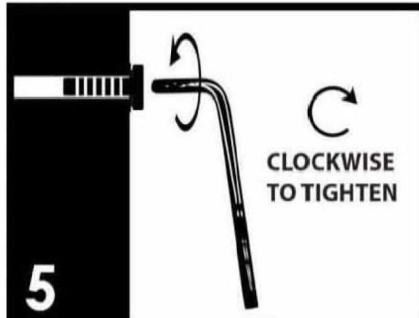
Position each part correctly and insert screws or bolts into their respective holes by hand tighten or using the proper hand tool. Only tighten when step is completed or when instructed to do so.



Use cardboard or carpet area when assembling furniture to prevent scratches. Make sure the furniture rests on a flat and level surface with each leg evenly touching the floor. No dragging of products/parts.



Some furniture comes with height adjustment knobs underneath each leg. To lower or to raise each leg, you need to turn clockwise or counterclockwise, respectively.



Make sure all parts are properly aligned, then use the appropriate hand tool to completely tighten the bolts or screws. Do not use power tools and do not overtighten.

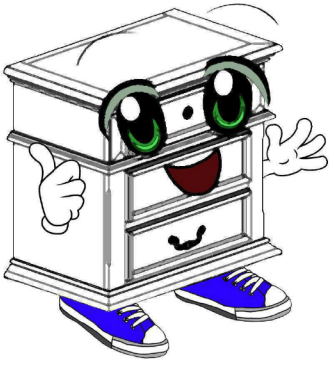


Save the instructions and store the Allen wrench or any supplied tool for later maintenance. After two weeks, check and tighten any loose hardware and repeat again every six months thereafter.

IT IS THE USER'S RESPONSIBILITY TO MAINTAIN THE FURNITURE. THE HARDWARE MAY LOOSEN OVER TIME AND MAY CAUSE THE FURNITURE TO BE WOBBLY AND UNABLE TO SUPPORT ITS INTENDED WEIGHT CAPACITY. THIS MAY LEAD TO COLLAPSE AND MAY CAUSE SERIOUS INJURY.



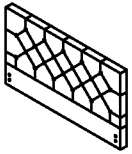
FAILURE TO FOLLOW THE GUIDELINES ABOVE MAY RESULT IN INJURY AND/OR PROPERTY DAMAGE.



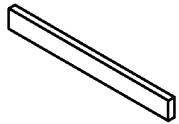
Before you begin, please read Page 2 of "Assembly and Care Advice".

And remember, do not tighten until each step is completed or instructed.

Parts List



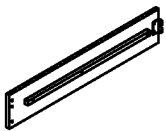
#1 x 1pc
Headboard



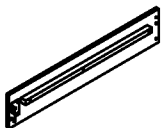
#2 x 1pc
Footboard



#3 x 4pcs
HB/FB Leg



#4 x 2pcs
Side Rail A



#5 x 2pcs
Side Rail B



#6 x 2pcs
Side Leg



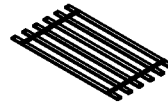
#7 x 1pc
Cross bar



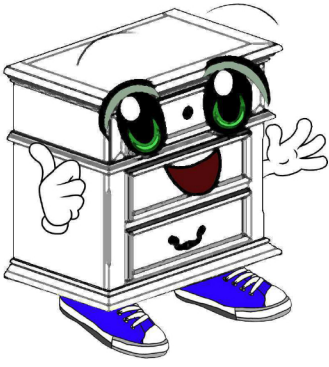
#8 x 2pcs
Central support Rail



#9 x 3pcs
Support Leg



#10 x 2units
Slats



Before you begin, please read Page 2 of "Assembly and Care Advice".

And remember, do not tighten until each step is completed or instructed.

Hardware List



#A x 1pc
Allen wrench



#I x 1pc
Open-end wrench



#B x 10pcs
Bolt 5/16" x 2"



#C x 12pcs
Bolt 5/16" x 1-1/2"



#D x 12pcs
Bolt 5/16" x 3/4"



#E x 36pcs
Lock Washer



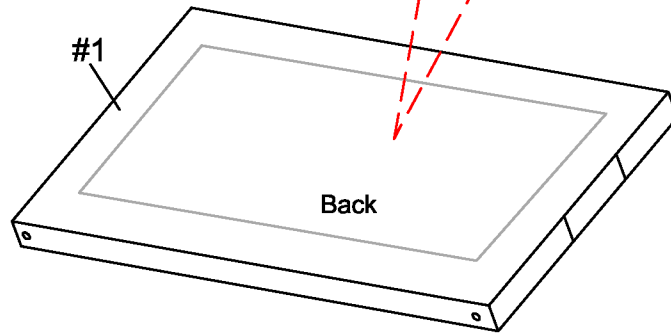
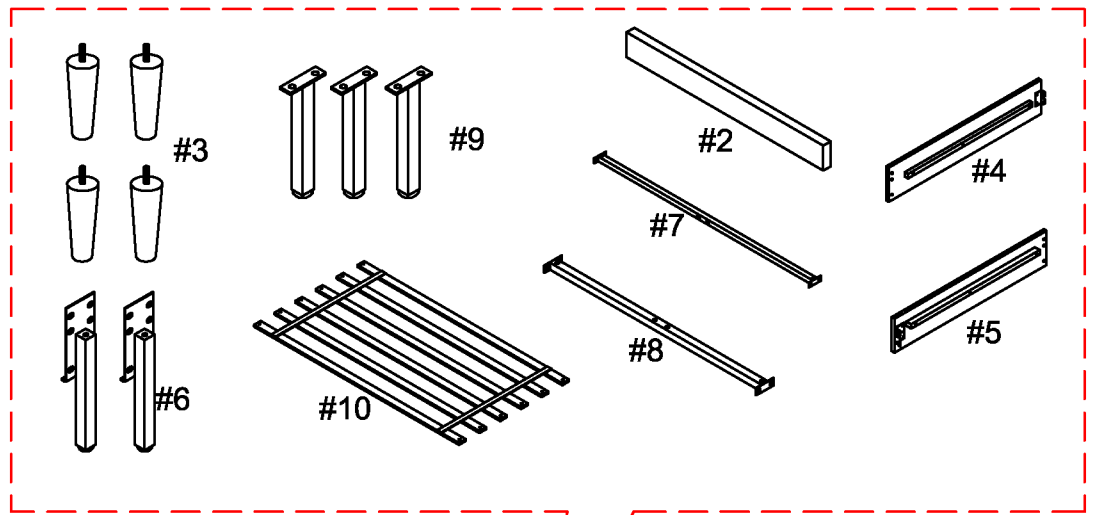
#F x 66pcs
Flat Washer



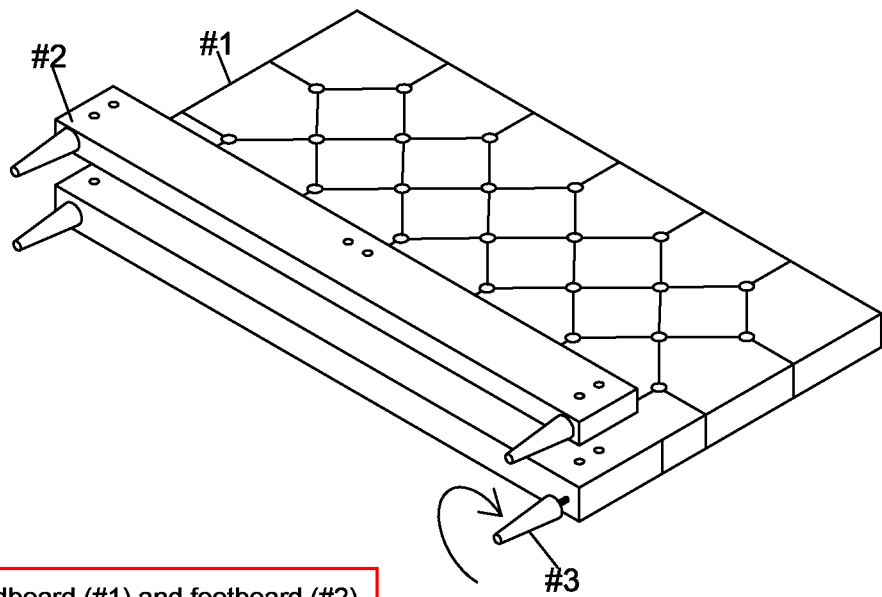
#G x 24pcs
Screw



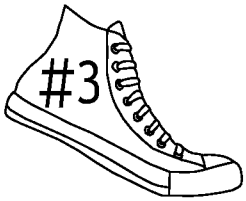
#H x 8pcs
Nut



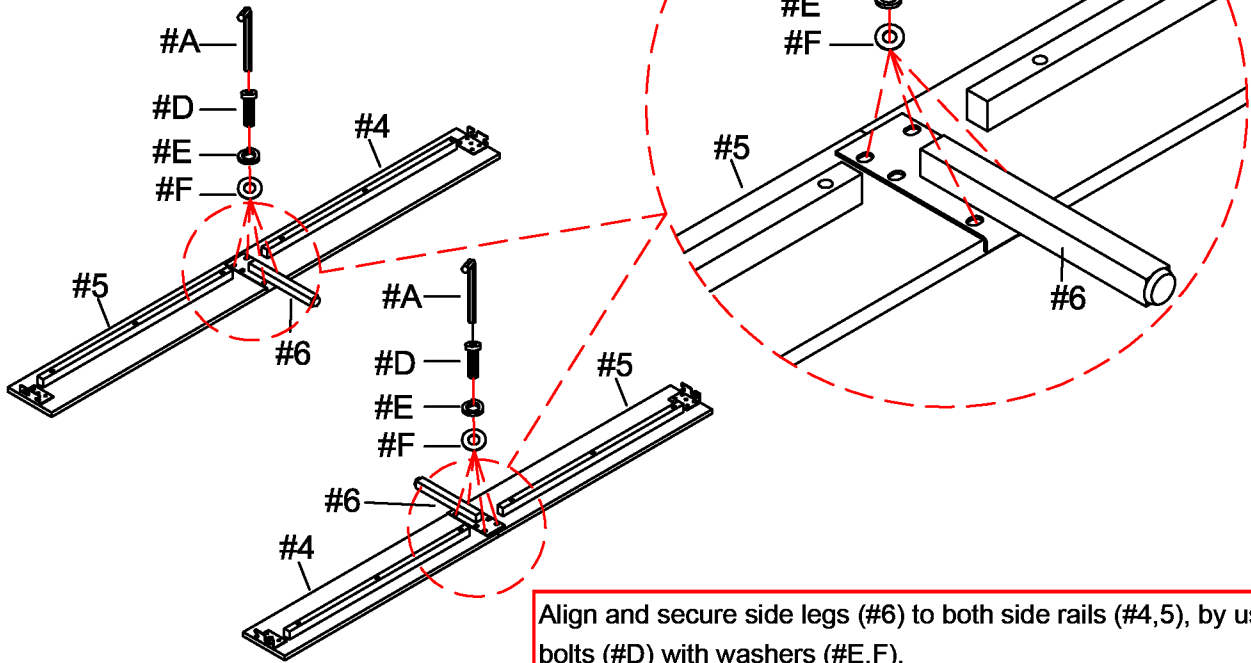
Remove parts from back compartment of headboard (#1).



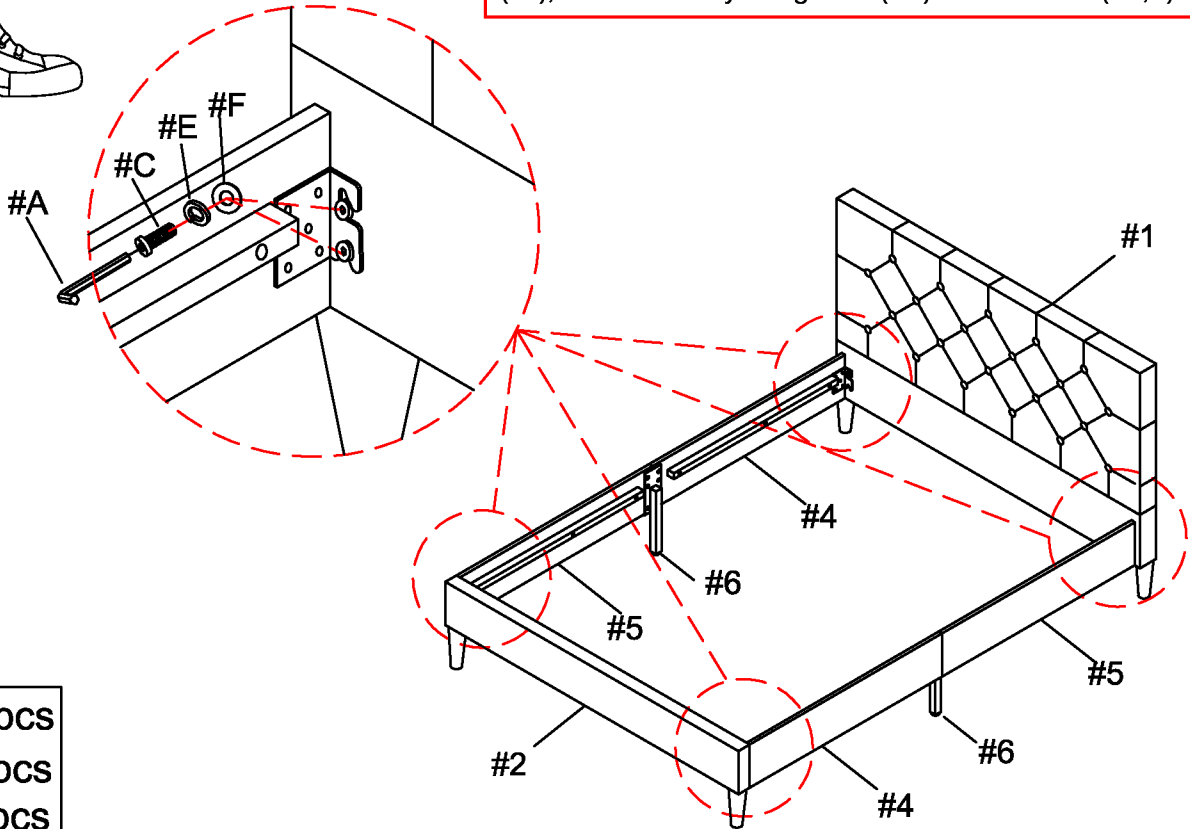
Attach HB/FB legs (#3) to headboard (#1) and footboard (#2).



#D x 8pcs
 #E x 8pcs
 #F x 8pcs



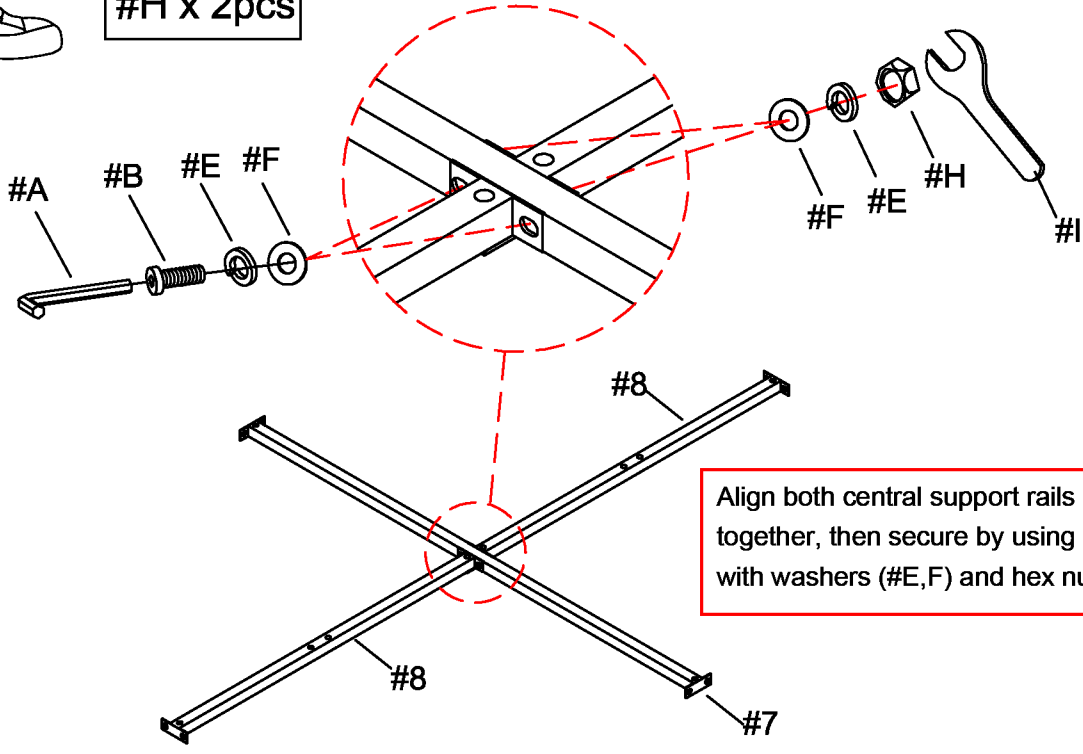
Align side rails (#4,5,6) to the headboard (#1) and footboard (#2), then secure by using bolts (#C) with washers (#E,F).



#C x 8pcs
 #E x 8pcs
 #F x 8pcs



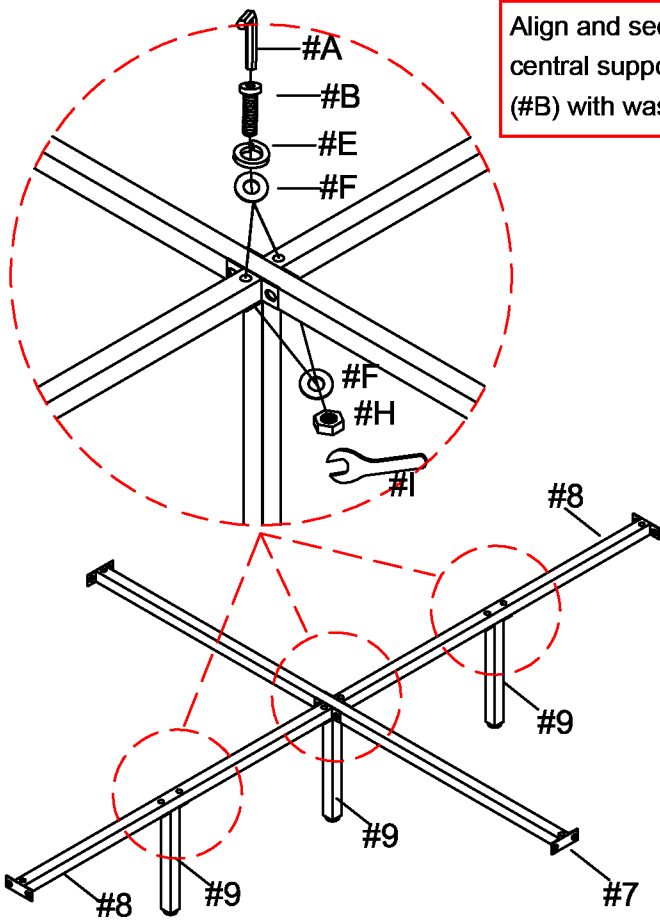
- #B x 2pcs
- #E x 4pcs
- #F x 4pcs
- #H x 2pcs



Align both central support rails (#8) together, then secure by using bolts (#B) with washers (#E,F) and hex nut (#H).



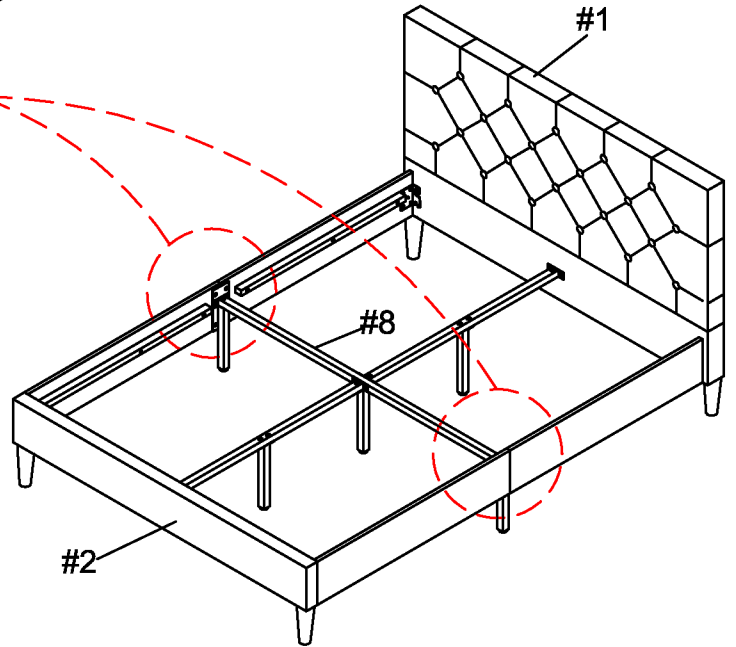
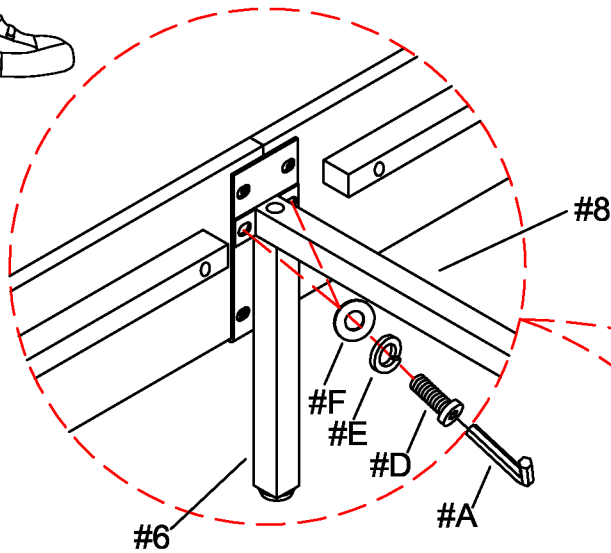
- #B x 6pcs
- #E x 6pcs
- #F x 12pcs
- #H x 6pcs



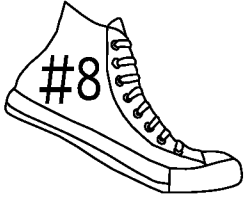
Align and secure support legs (#9) to the central support rails (#8) by using bolts (#B) with washers (#E,F) and hex nut (#H).



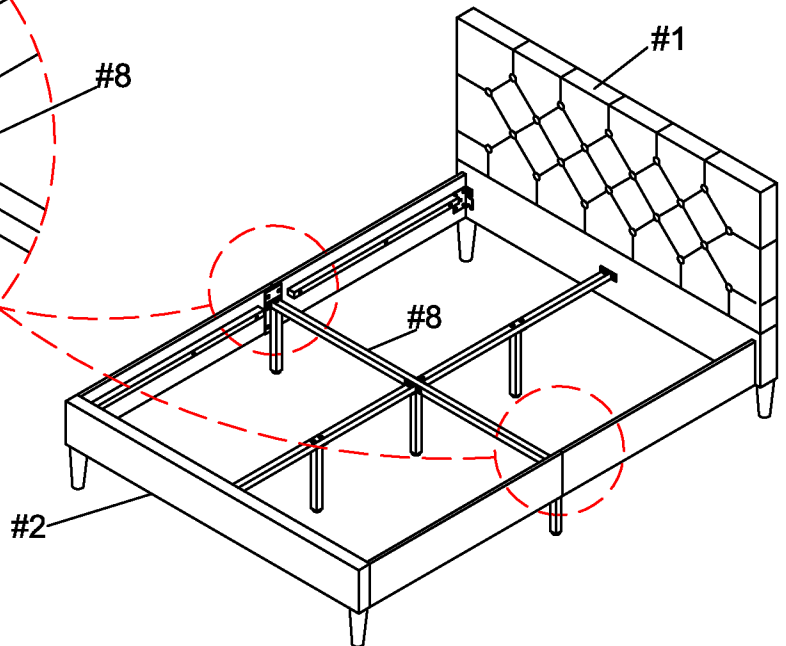
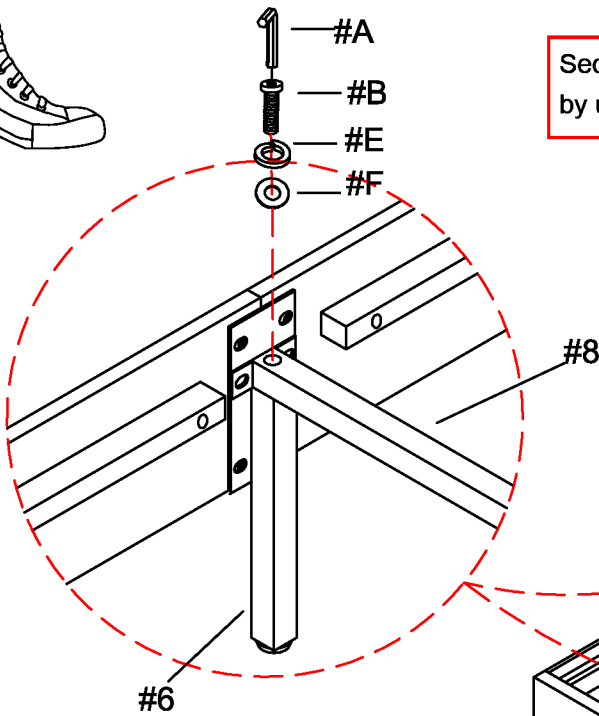
Align central support rail (#8) to the side rails, headboard, and footboard, then secure by using bolts (#D) with washers (#E,F).



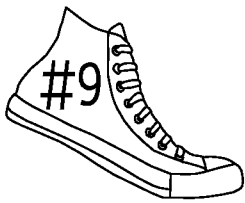
#D x 4pcs
#E x 4pcs
#F x 4pcs



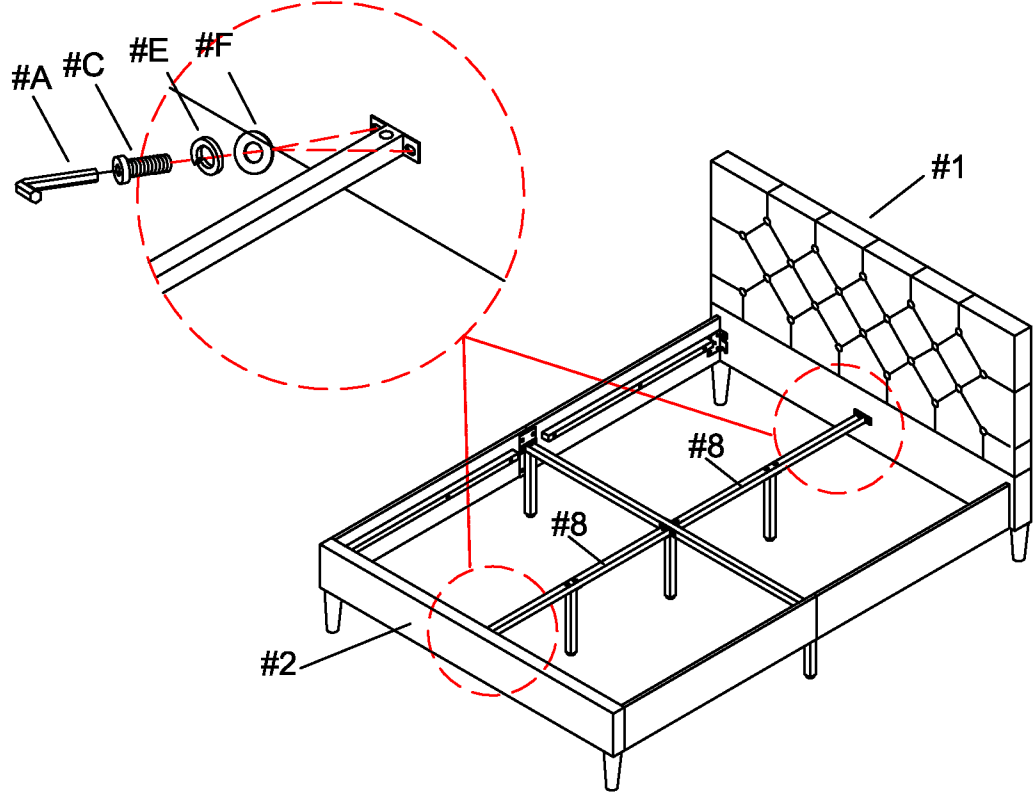
Secure central support rail (#8) to side legs (#6) by using bolts (#B) with washers (#E,F).



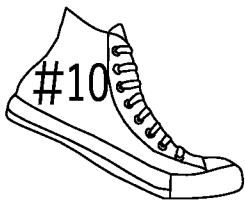
#B x 2pcs
#E x 2pcs
#F x 2pcs



Align central support rail (#8) to the headboard and footboard, then secure by using bolts (#C) with washers (#E,F).

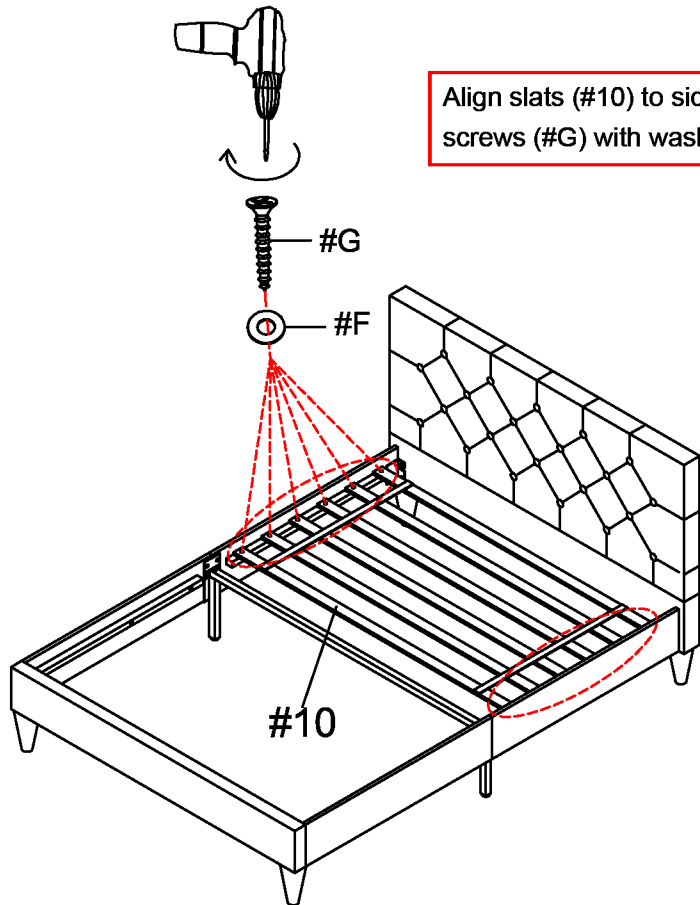


- #C x 4pcs
- #E x 4pcs
- #F x 4pcs



Align slats (#10) to side rails, then secure by using screws (#G) with washers (#F).

- #G x 12pcs
- #F x 12pcs





#G x 12pcs
#F x 12pcs

Align slats (#10) to side rails, then secure by using screws (#G) with washers (#F).

