

INSTRUCTION MANUAL

12FT x 14FT Gazebo

**IF YOU PURCHASED THE PRODUCT ONLINE AND HAVE ANY
QUESTIONS OR CONCERNS PLEASE
CONTACT US WITH EMAIL OR TEXT**

EMAIL: yardsightfurniture@outlook.com

TEXT: +1 323-400-0363

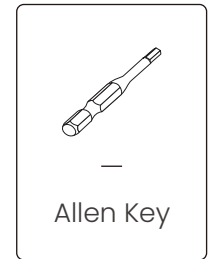
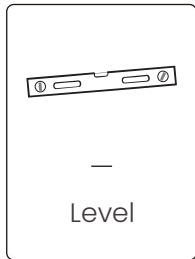
Warnings and Cautions

- Please retain this instruction for future usage and read carefully before assembly.
- Make sure you have all the parts & hardware as the item list shows.
- 5 adults or more are recommended to install your gazebo.
- Do not discard any of the packaging until you have checked that you have all the parts and pack of fittings.
- Check all bolts for tightness before use, and periodically check and tighten bolts to ensure your gazebo works properly.
- Some parts might have sharp edges/corners. Please follow basic safety precautions to reduce the risk of hurt.
- It is essential to place the gazebo on level ground and not less than 6 feet from any obstruction such as fences, garages, the house, overhanging branches, laundry lines, or electrical wires.
- Lastly, be careful the parts are not swallowed by pets and kids.

Pre-assembly

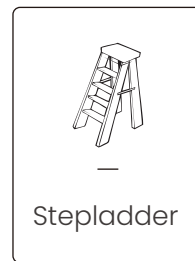
TOOLS THAT MAY BE REQUIRED (NOT included in the boxes)

*NOTE: Tools / equipment are not shown to actual size and scale

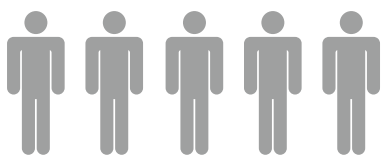


EQUIPMENT REQUIRED (NOT included in the boxes)

*NOTE: Equipment are not shown to actual size and scale



Matters needing attention



Five or more people are required for assembly.



Do not fully tighten screws prior to complete assembly.

Warranty

One Year Warranty

Frames

Frames constructions are warranted to be free from defects in material and workmanship for 1 year from item purchased. Damage to frame from negligence won't be covered by this warranty.

Bolts & nuts

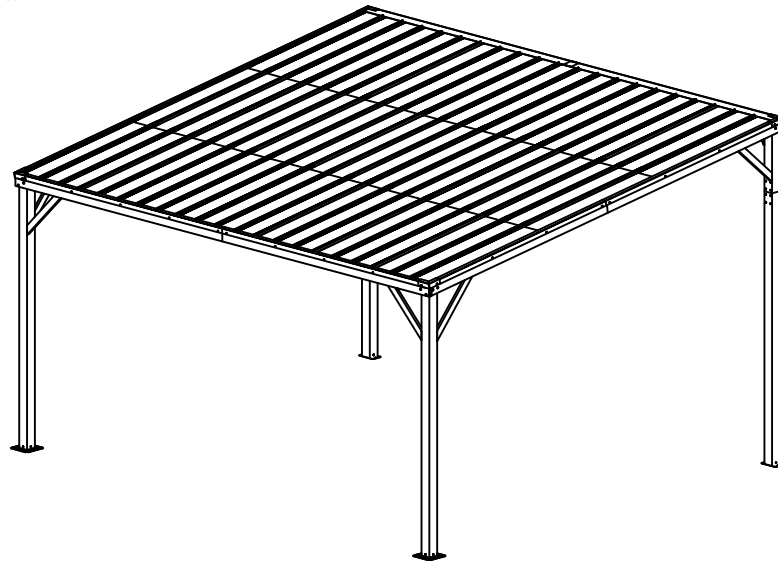
Bolts and nuts are warranted to be free from defects in material and workmanship for 1 year from item purchased. Damage from exposure to chemicals (including not only oils, spills, fluids) won't be covered by this warranty.

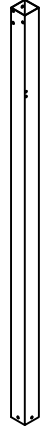



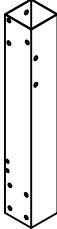
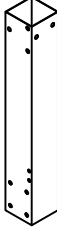
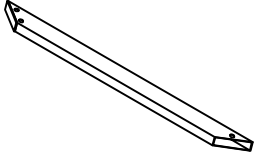
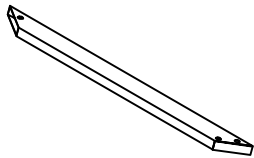
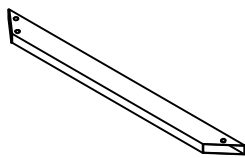
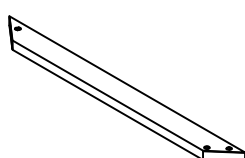
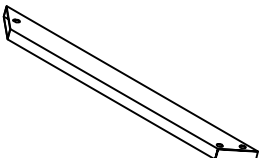
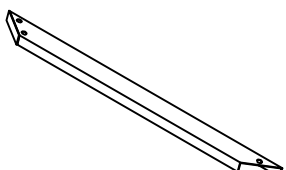

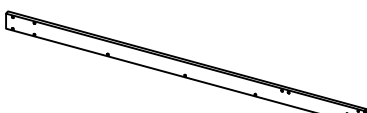
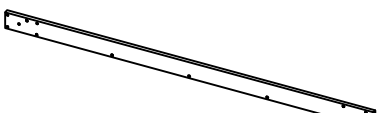
Warranty Limitation

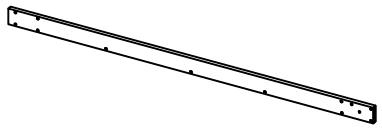
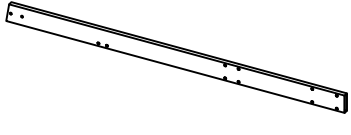
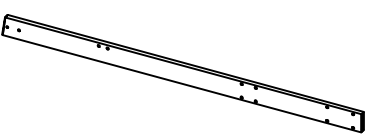
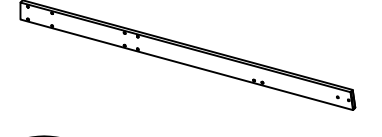
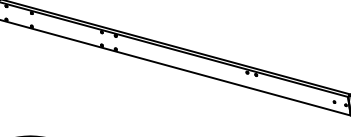
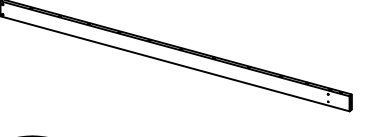
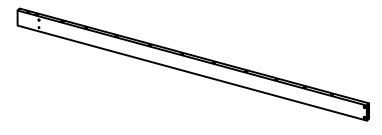
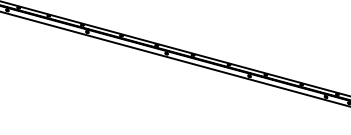

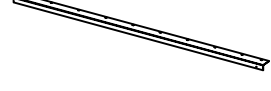
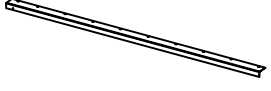


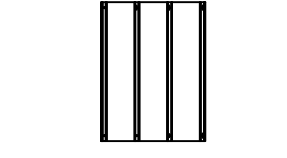
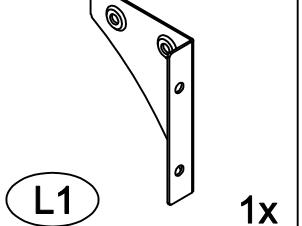
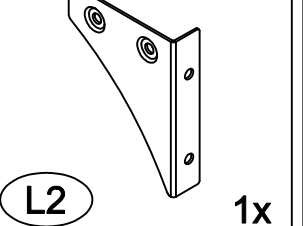
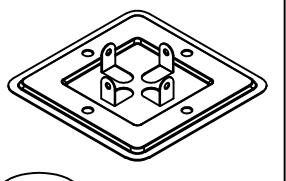
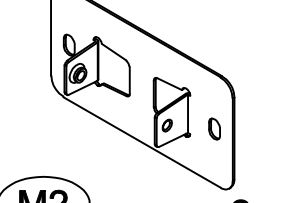
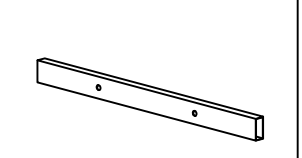
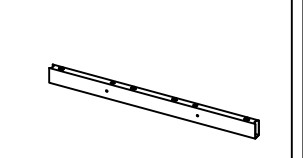
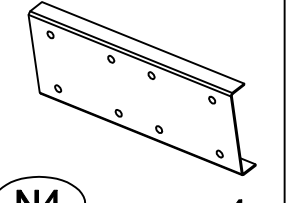
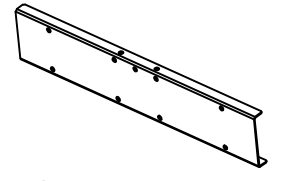
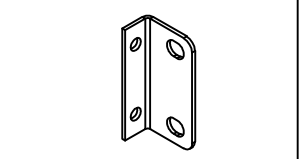
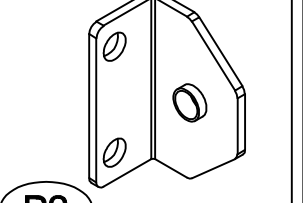
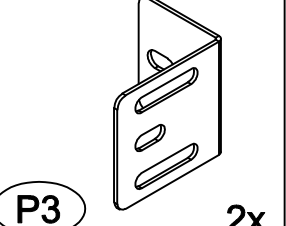
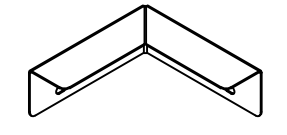
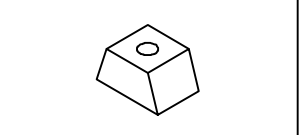

This warranty is for the original purchase order only. (Order number required). This warranty is non-transferable.

Attention:

1. Please do not fully tighten all the screws prior to complete assembly.
2. Please check the manual carefully and make sure you have received all the parts.
3. If there is any missing, please let us know the parts with the part number you need.
4. If there is any damage, please send clear photos to us, we will check and offer you best solution soon.



| | | | |
|---|--|---|---|
|  A1 1x |  A2 1x |  A7 1x |  A8 1x |
|  A5 1x |  A6 1x |  H7 1x |  H8 1x |
|  H3 1x |  H4 1x |  H5 1x |  H6 1x |
|  B5 1x |  B6 1x |  C5 1x | |

| | | | |
|---|---|--|---|
|  |  |  | |
| C6 1x | D5 1x | D6 1x | |
|  |  |  | |
| D7 1x | D8 1x | E5 2x | |
|  |  |  | |
| E6 2x | F5 2x | F6 2x | |
|  |  |  |  |
| G5 1x | G6 1x | J3 2x | K2 4x |
|  |  |  |  |
| V 21x | L1 1x | L2 1x | M1 2x |
|  |  |  |  |
| M2 2x | N1 2x | N2 2x | N4 4x |
|  |  |  |  |
| N5 4x | P1 8x | P2 6x | P3 2x |
|  |  | |  |
| T1 4x | AA 80+2x | | M6*15 1 112+4x |



M6*35

2

12+1x



M6*25

3

80+2x



M6*12

4

16+1x



5

20+1x



M5*15

6

28+1x



ST4.8*10

7

36+2x



M6

8

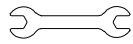
92+3x



M6

9

40+1x



M6/M8

10

2x



5MM

11

1x



4MM

12

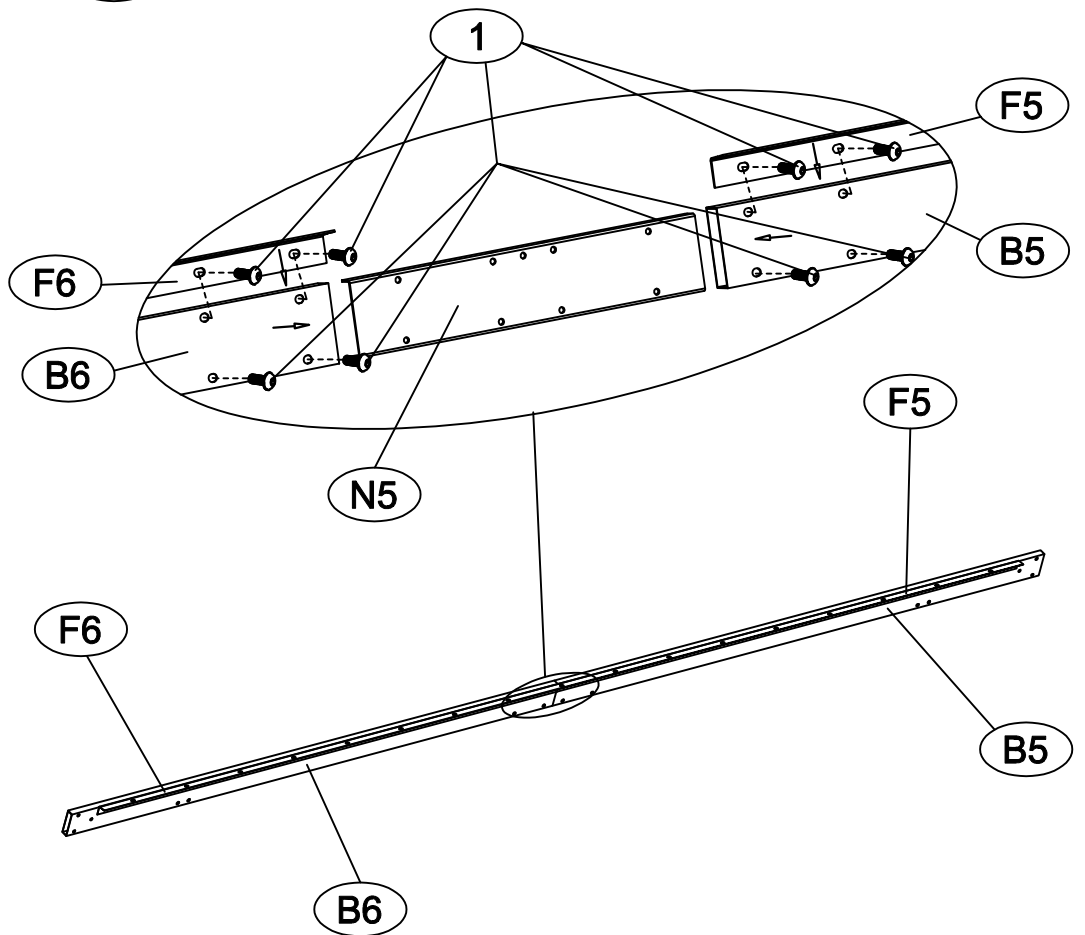
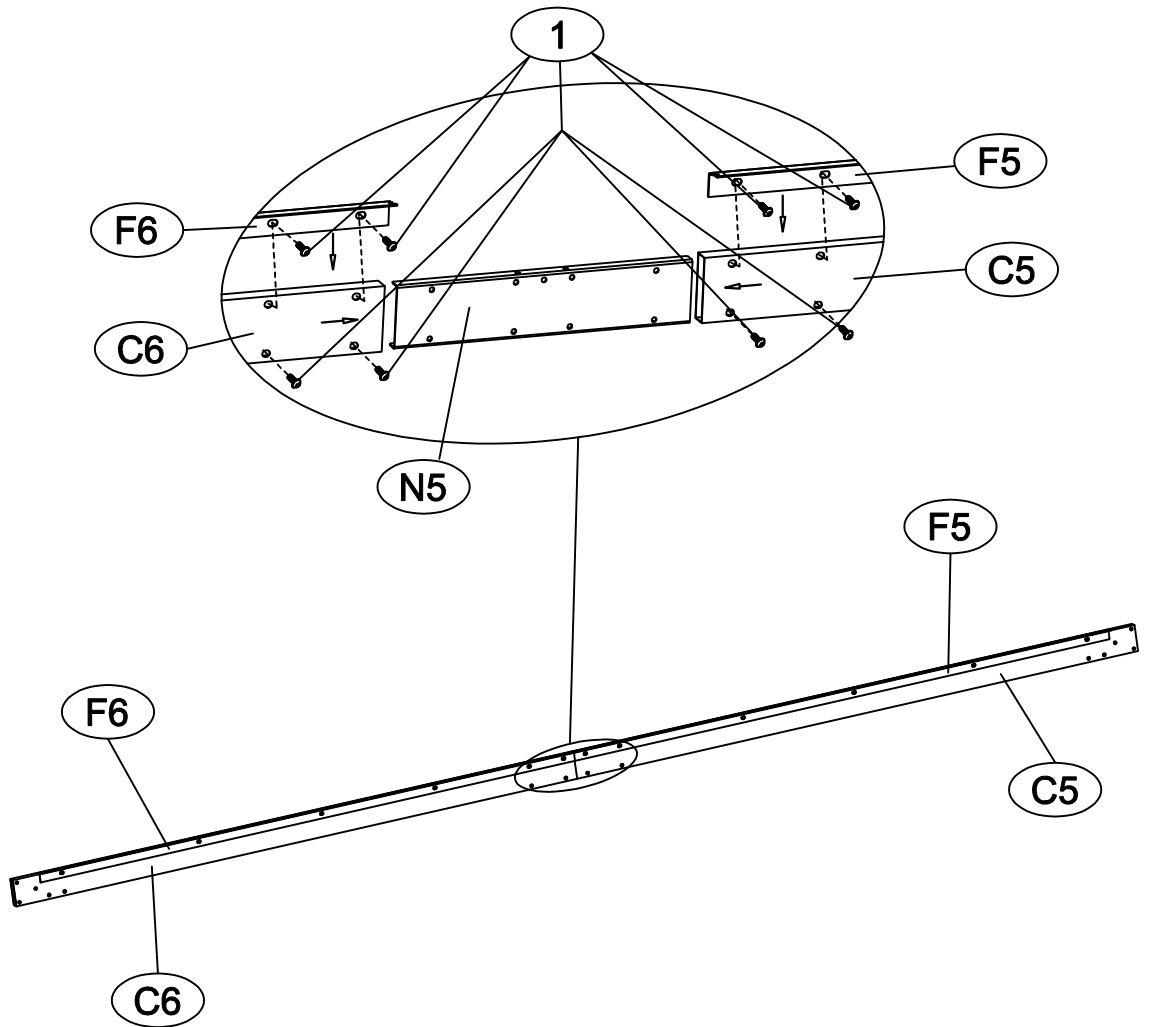
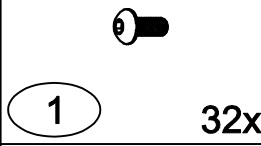
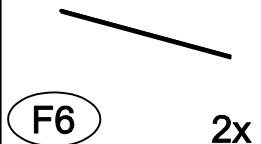
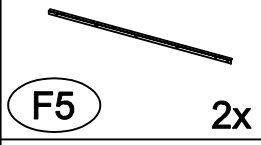
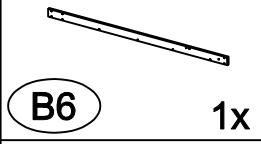
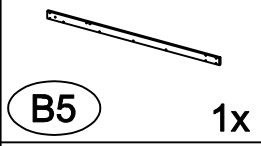
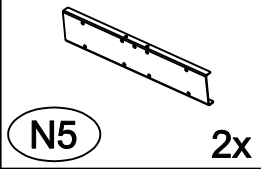
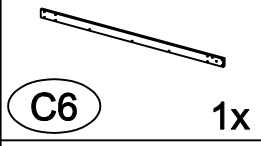
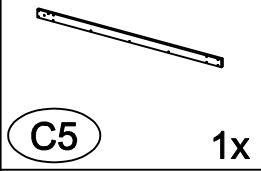
2x



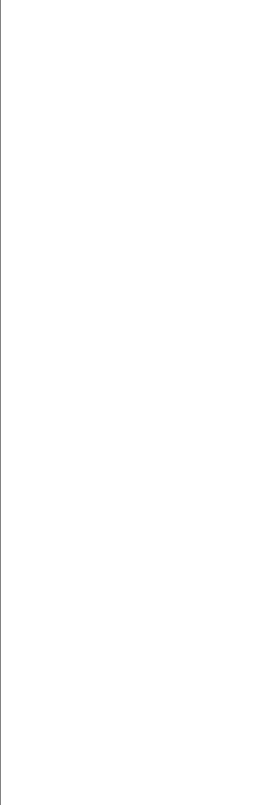
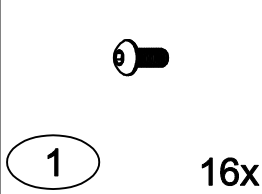
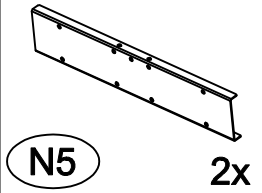
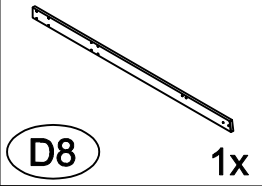
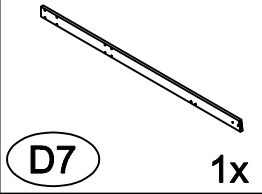
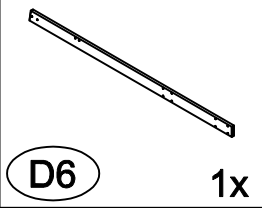
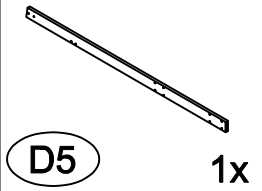
13

10x

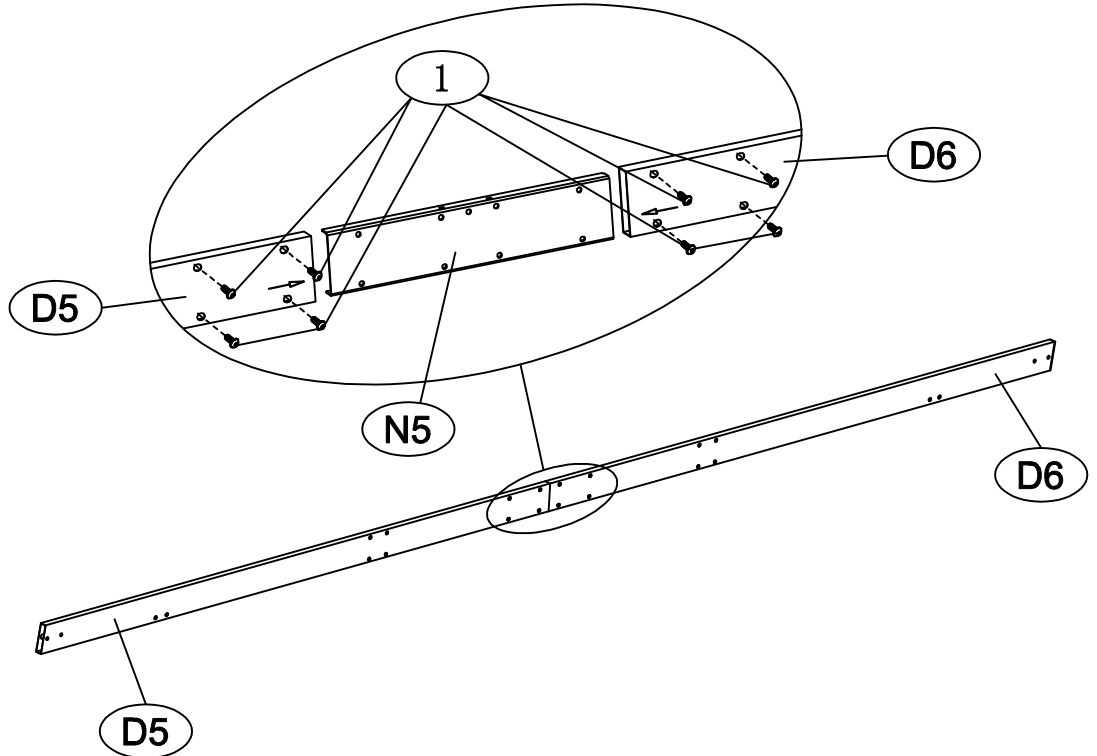
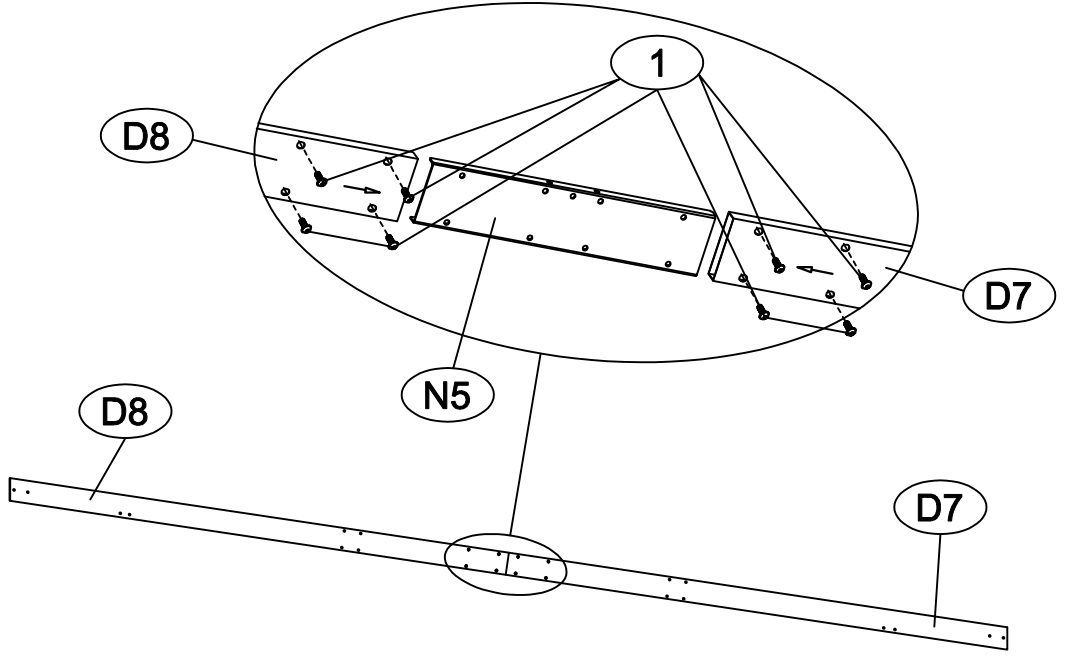
<1>



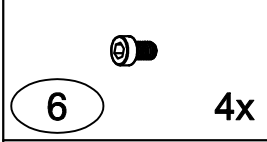
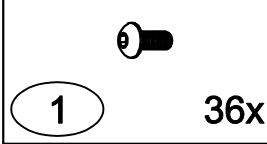
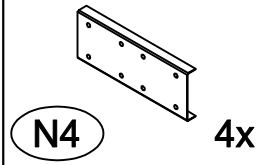
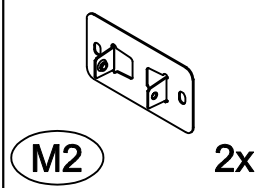
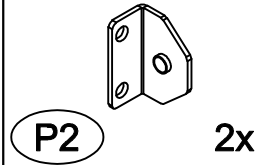
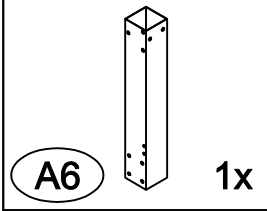
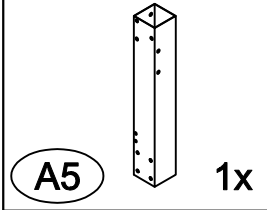
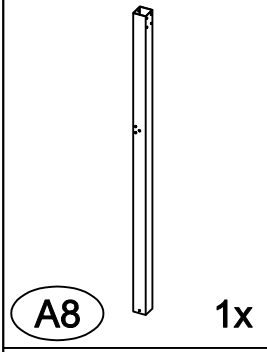
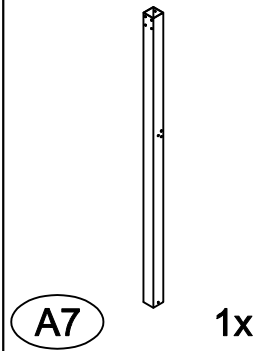
<2>



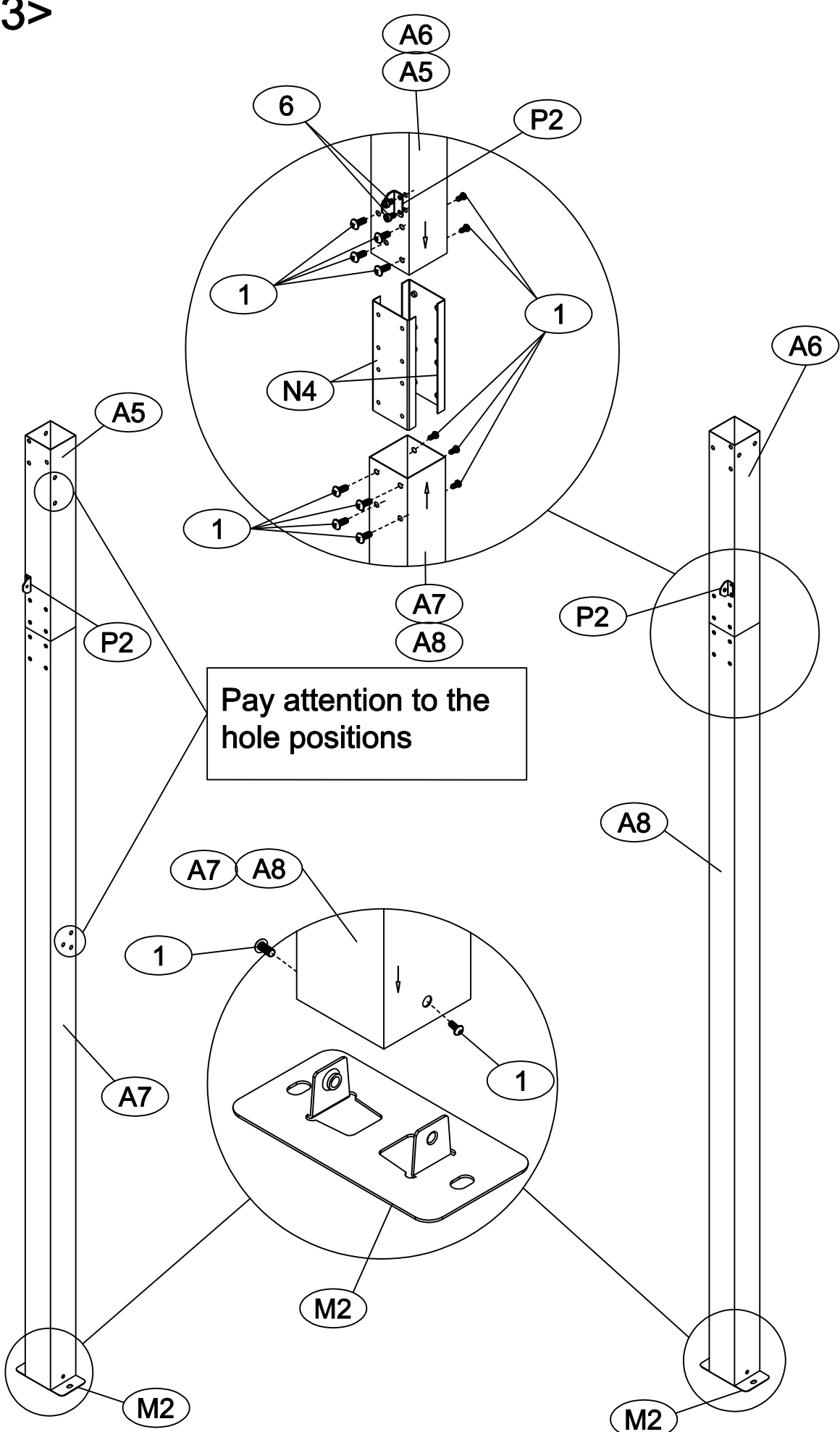
10



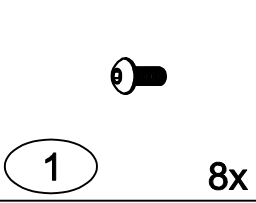
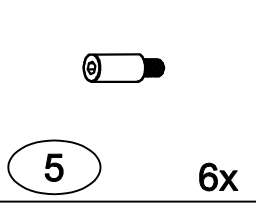
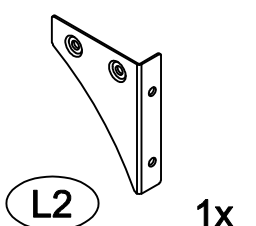
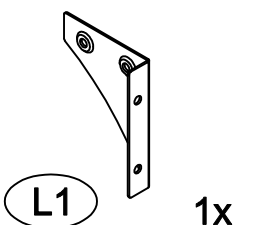
<3>



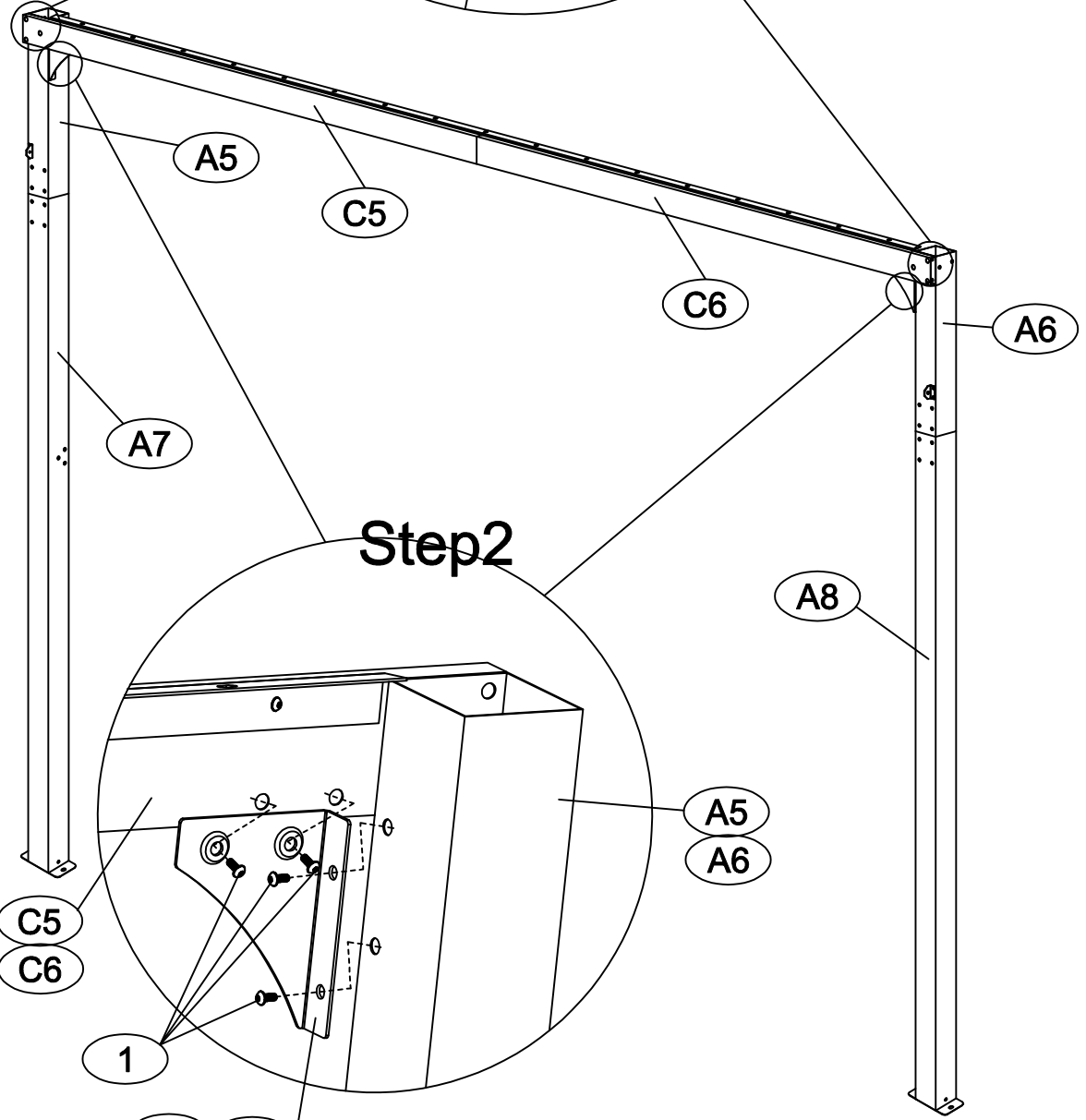
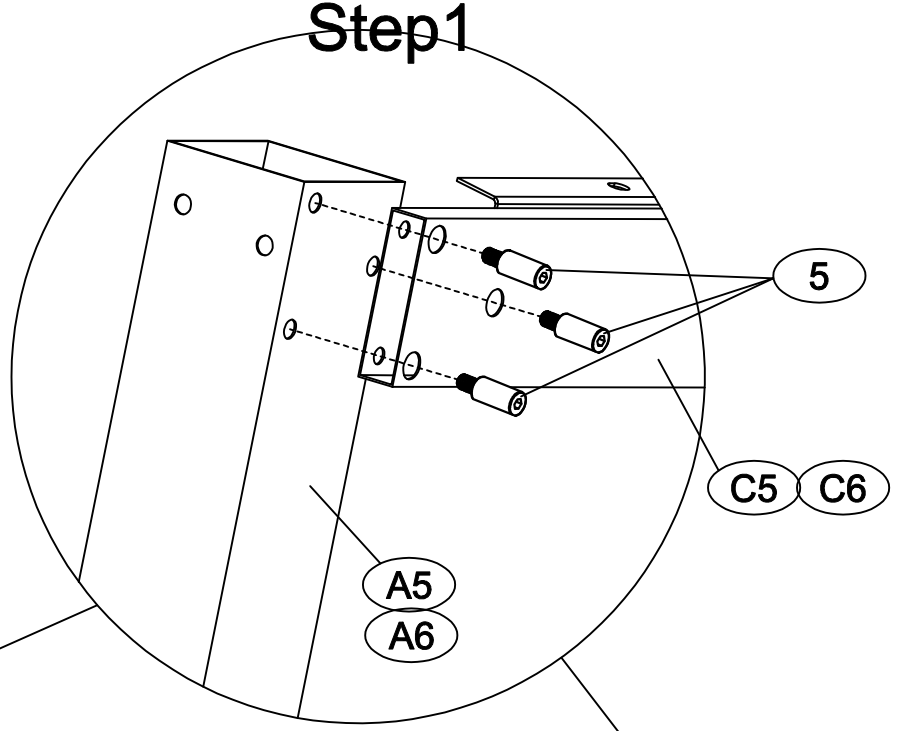
11



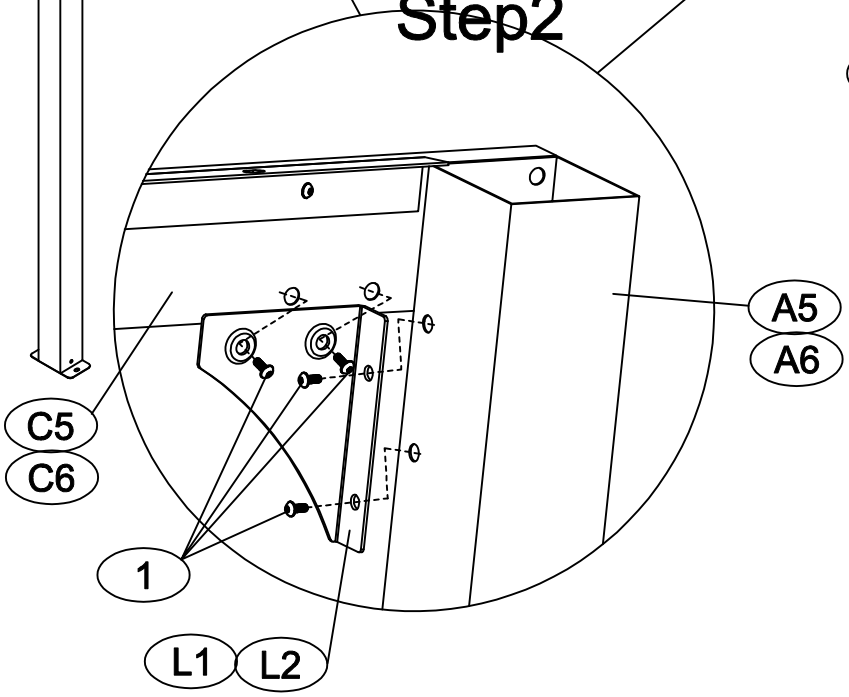
<4>



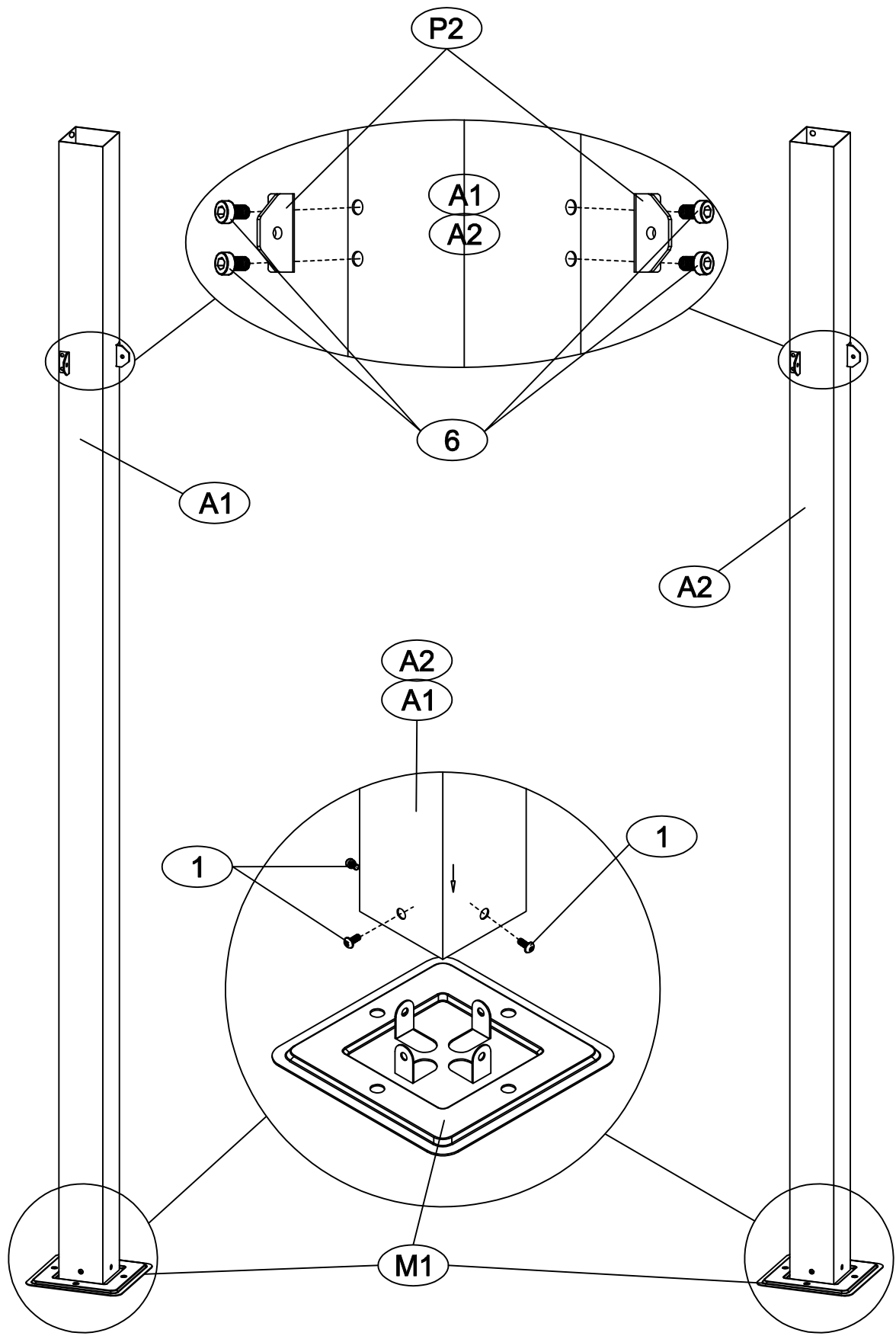
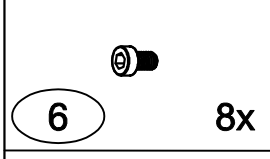
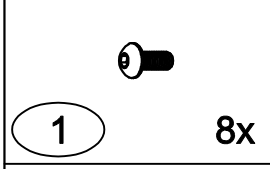
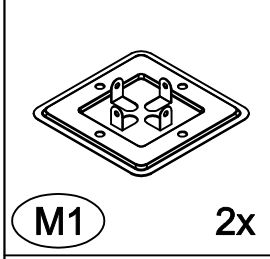
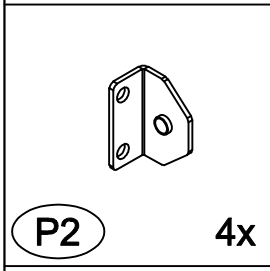
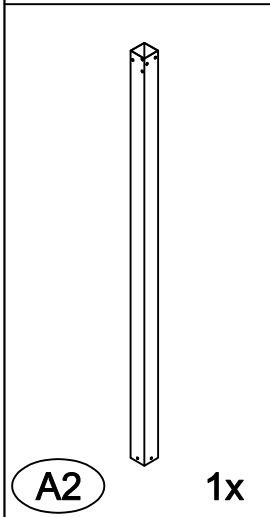
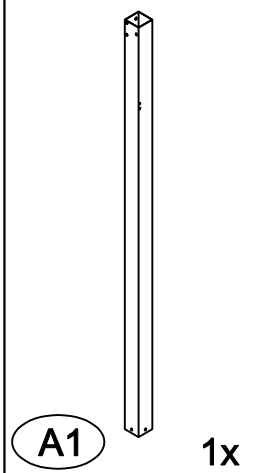
Step1



Step2

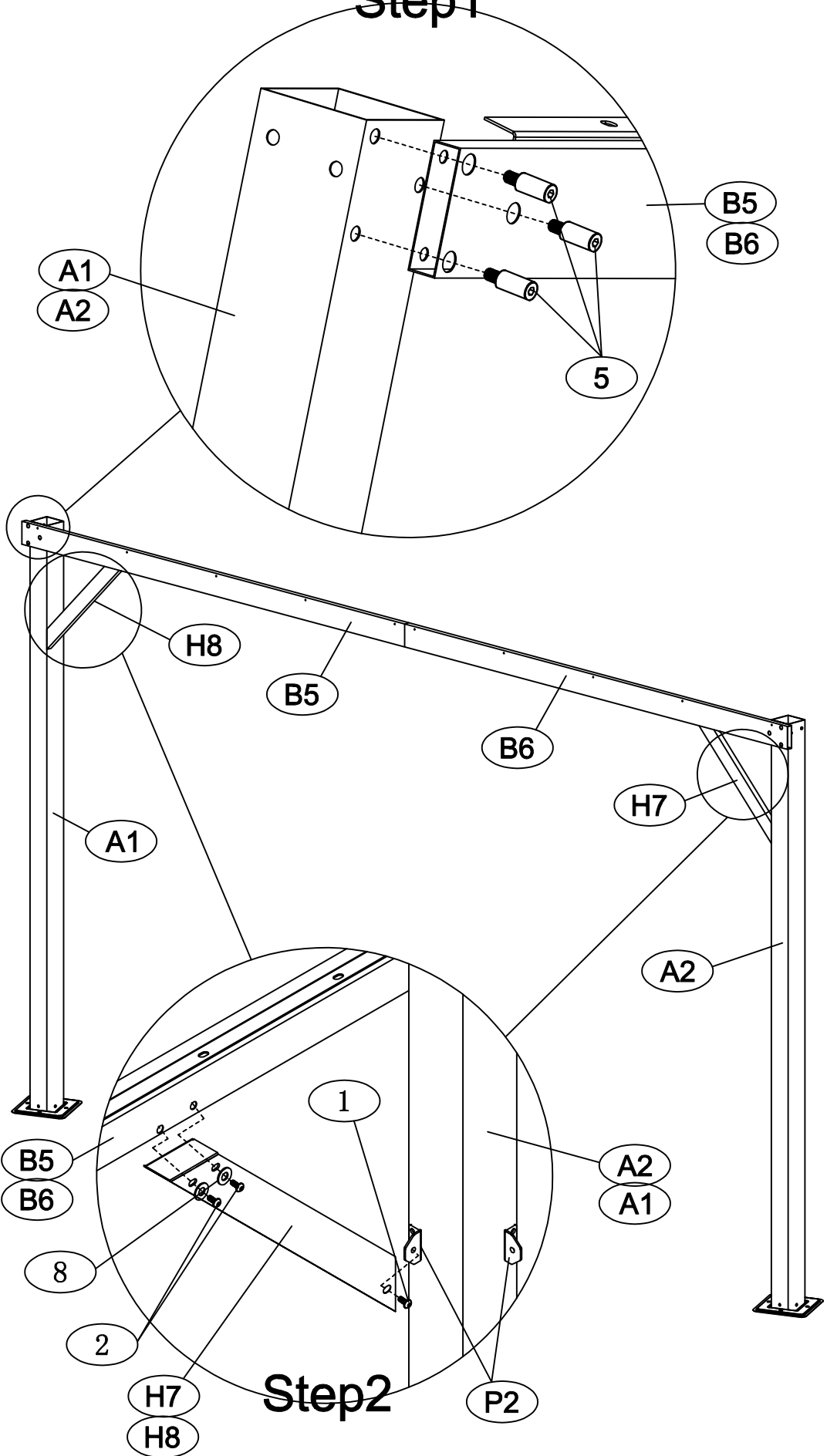


<5>



<6>

Step1



H7 1x

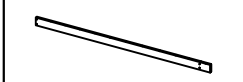
H8 1x

5 6x

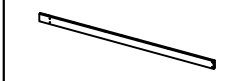
1 2x

2 4x

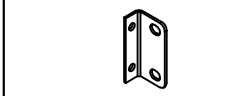
8 4x



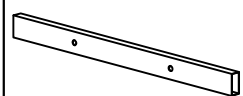
E5 2x



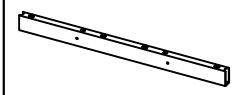
E6 2x



P1 8x



N1 2x



N2 2x

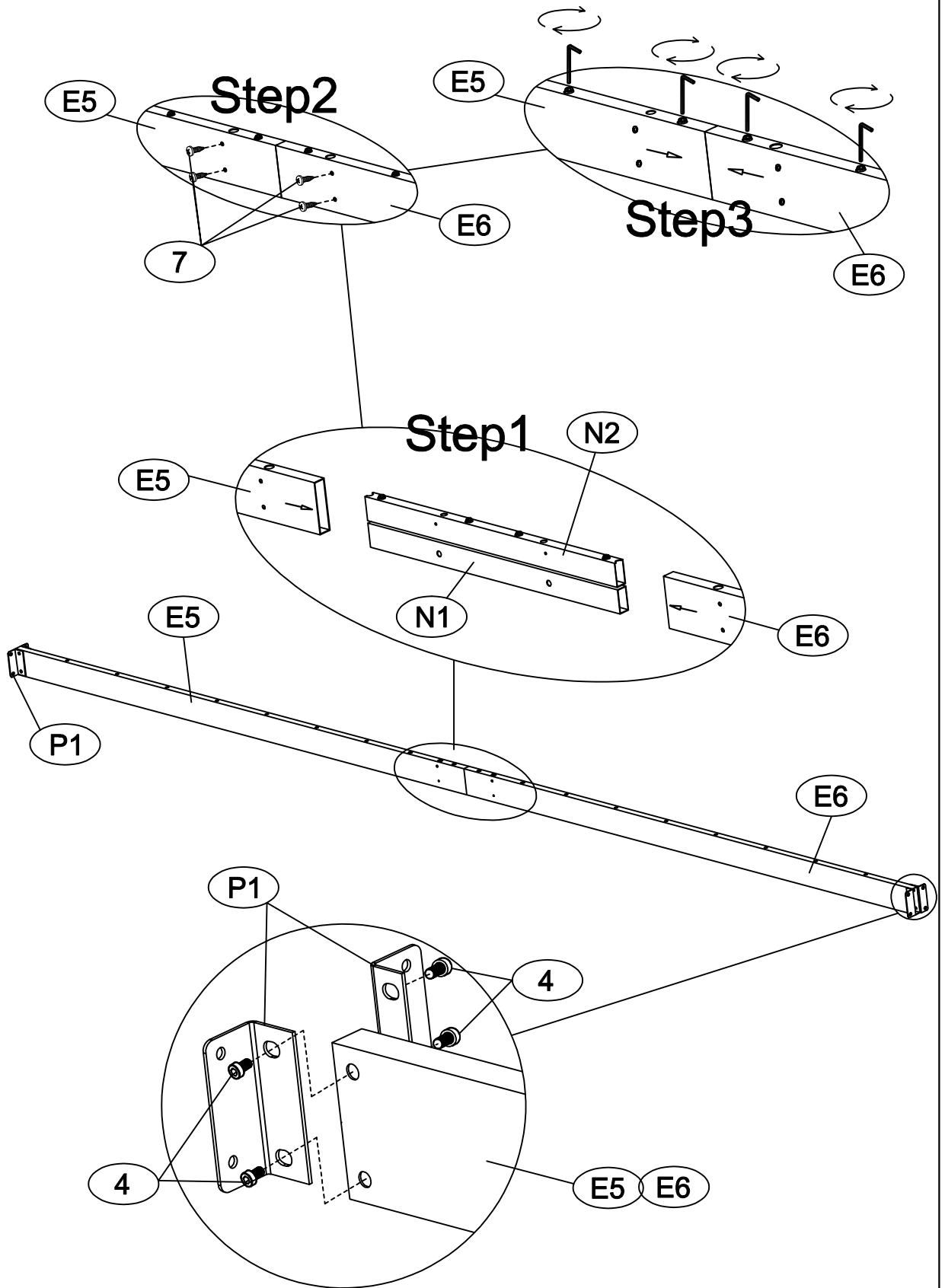


4 16x



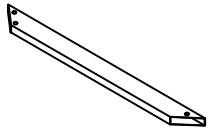
7 8x

<7>

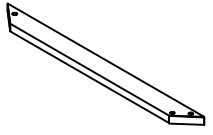


This component requires two sets

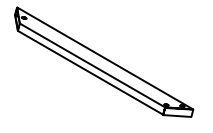
<8>



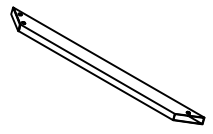
H3 1x



H4 1x



H5 1x



H6 1x



5 8x



1 4x



2 8x

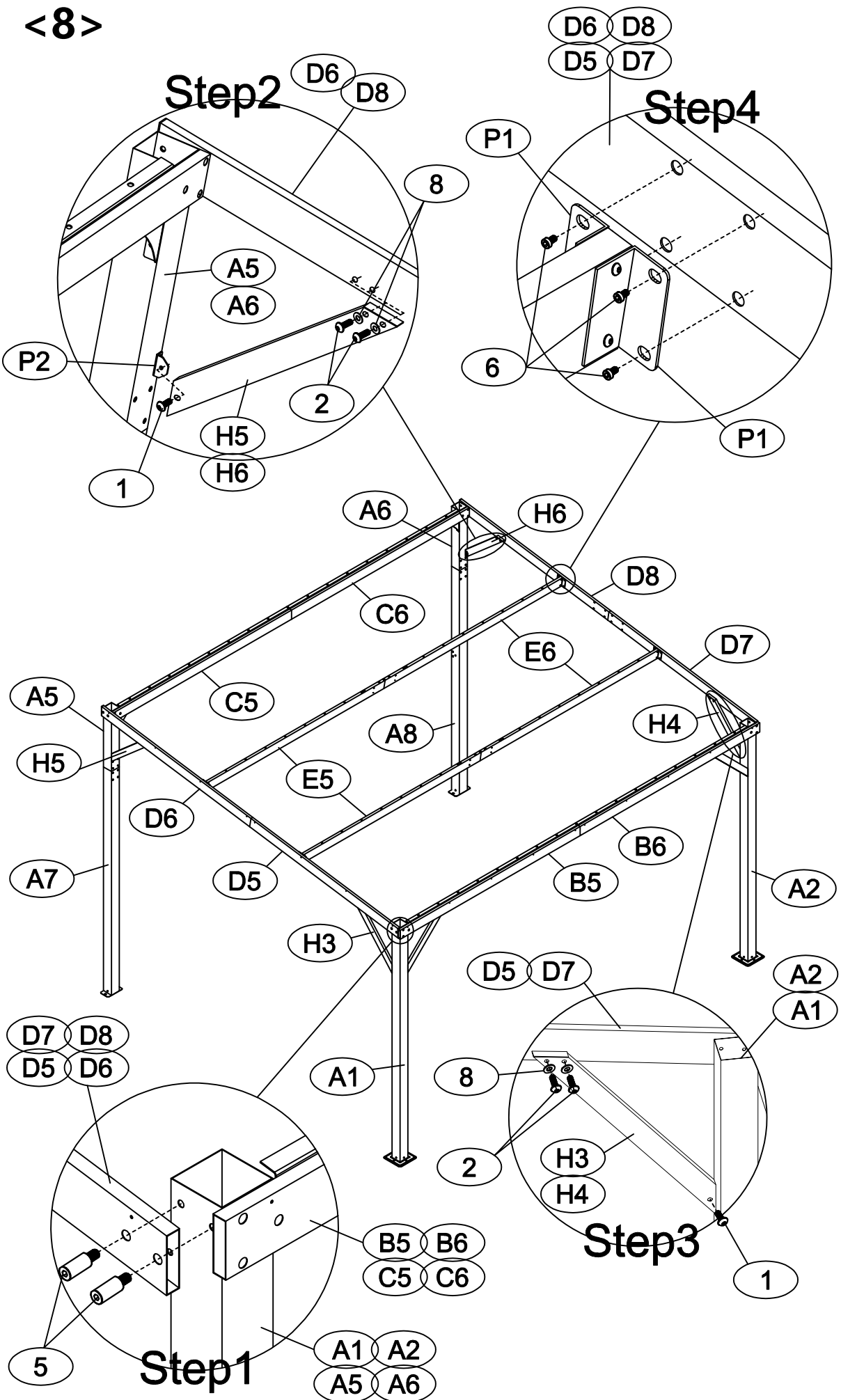


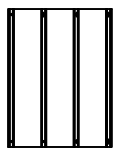
6 16x



8 8x

16





<9>

V 3x



AA 6x



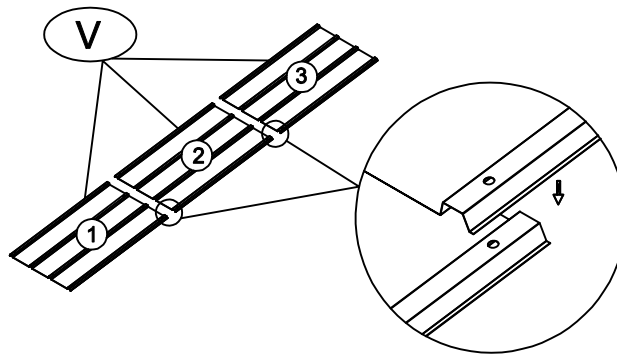
3 6x



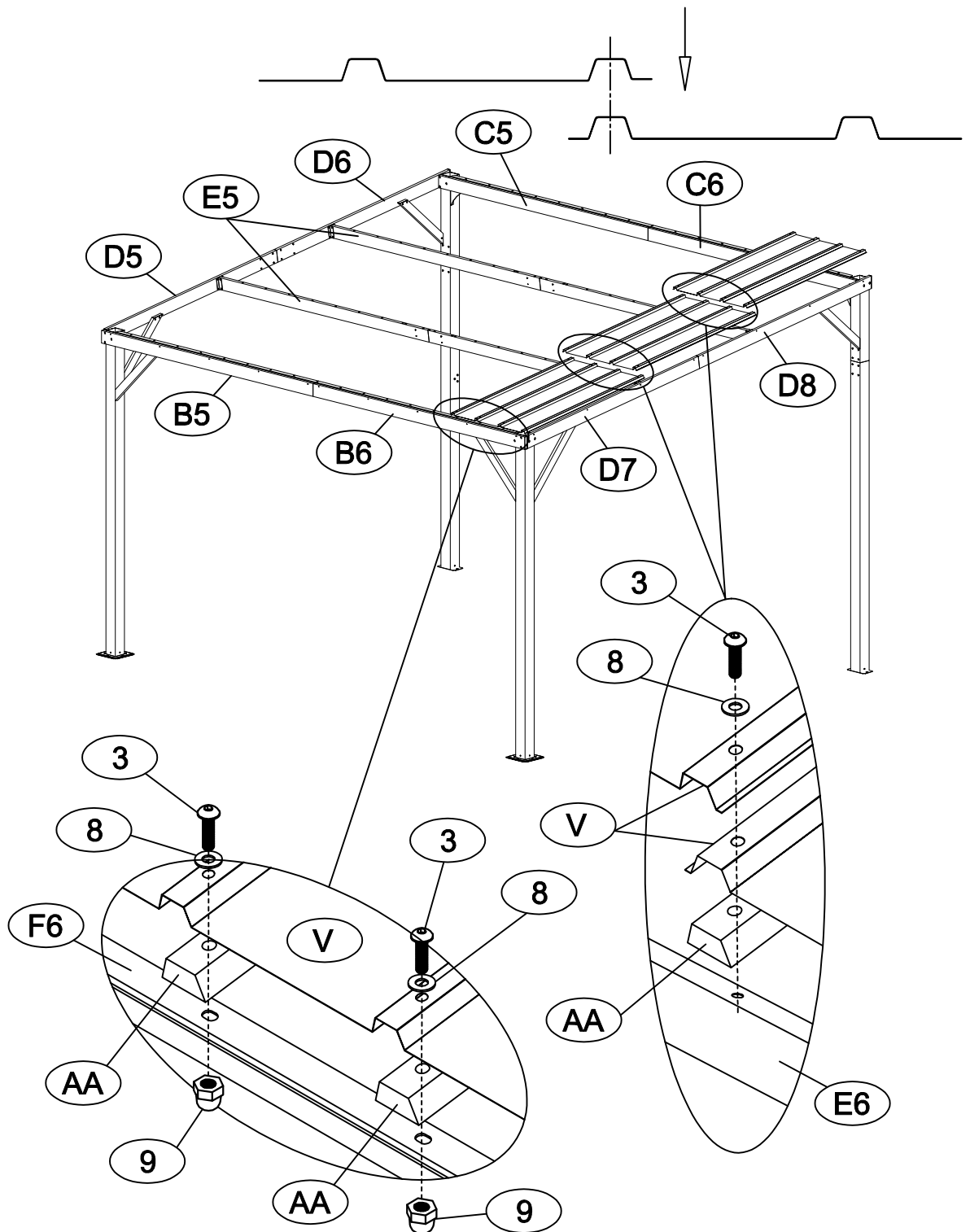
9 2x

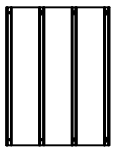


8 6x



Suggested installation sequence





V 18x



AA 54x



3 54x

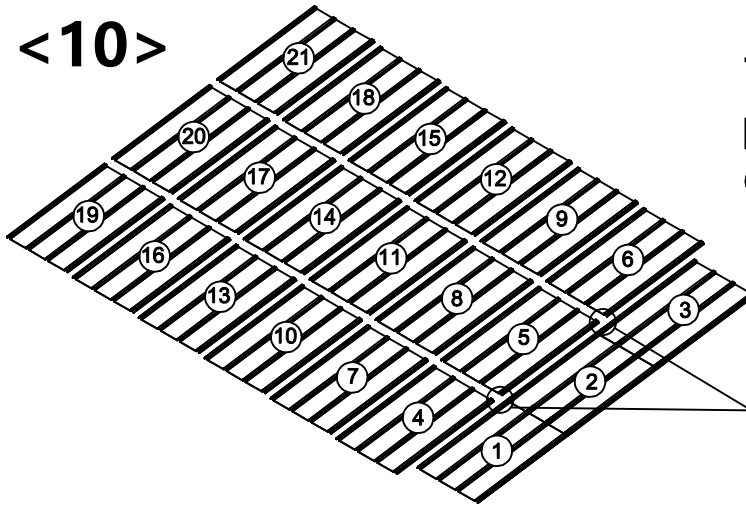


9 18x

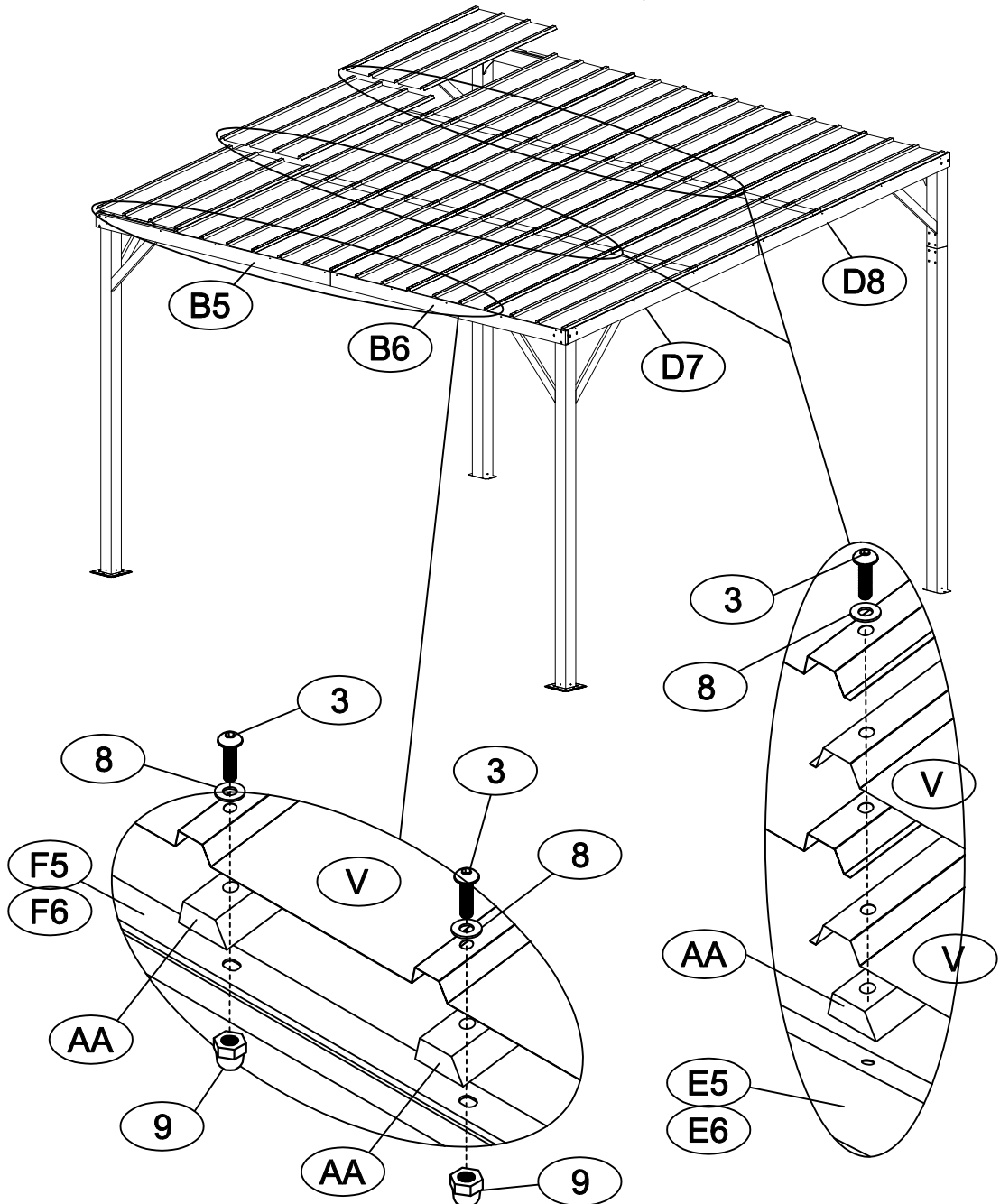
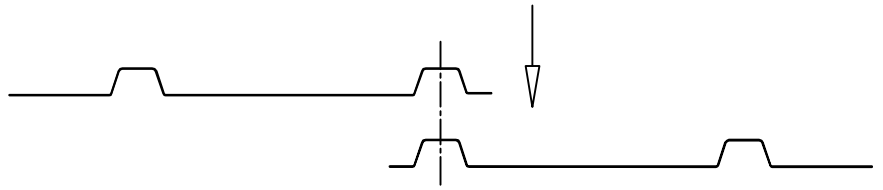
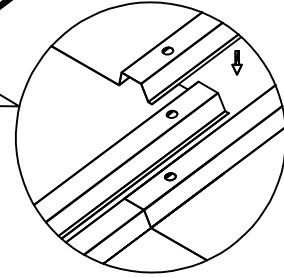


8 54x

<10>

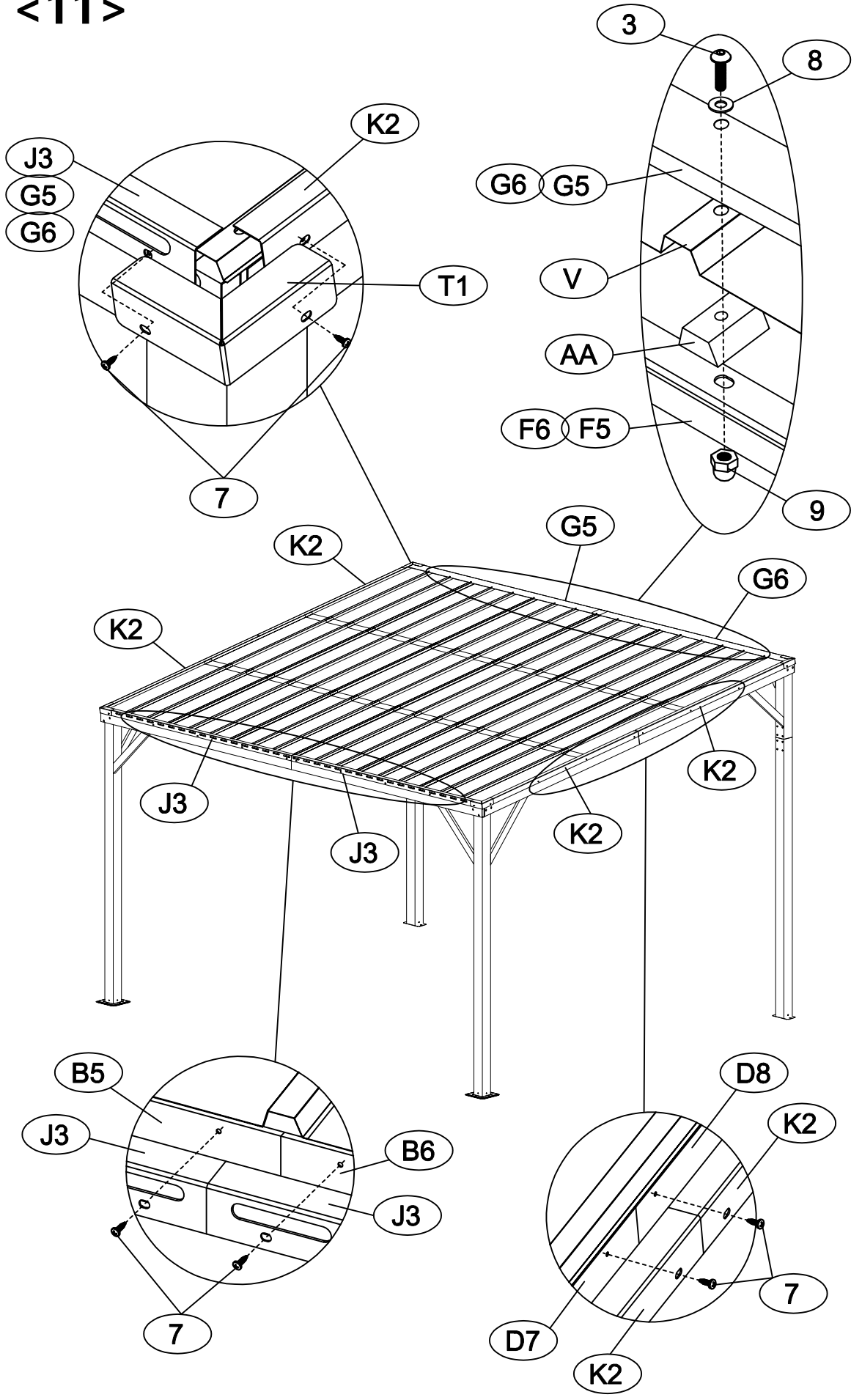


The next row of iron plates is covered over the first row.



<11>

- G5 1x
- G6 1x
- J3 2x
- K2 4x
- T1 4x
- AA 20x
- 7 28x
- 3 20x
- 9 20x
- 8 20x





<12>

P3 2x



1 6x



13 10x

