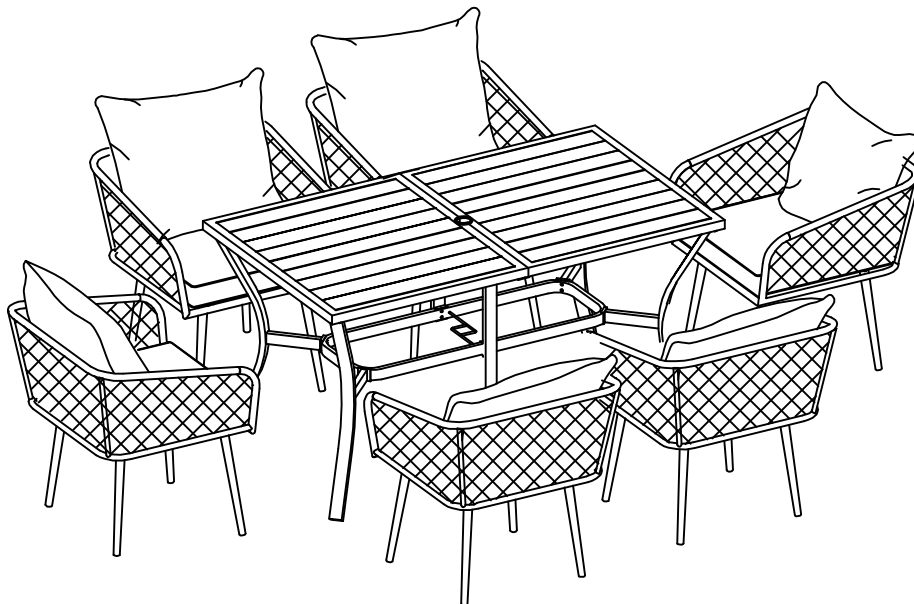


7 Piece Patio Dining Set Instruction



IMPORTANT NOTICE

1. Do not fully tighten any screws until all parts of the wicker sections are in place.
2. When tightening the screws, make sure to align all the screw holes first before tightening them to avoid misalignment.
3. Pay attention to the correct sequence of washers as you assemble the parts.
4. It's a good idea to have a magnet on hand to help find any parts that may get lost during assembly.

THANKS FOR CHOOSING OUR PRODUCT

Our patio furniture set includes 1 rectangular table, 6 chairs with PE yellow rattan backrest, sturdy galvanized pipe and generously padded cushions that offer a luxurious seating experience.

These thick cushions provide unmatched comfort, allowing you and your guests to relax and enjoy unforgettable moments outdoors.

This outdoor dining set is perfect for various outdoor settings, including your backyard, balcony, poolside, or lawn. Its adaptable design allows you to create a comfortable and inviting space wherever you desire.

ASSEMBLY INSTRUCTION

IMPORTANT SAFETY NOTICE: READ CAREFULLY BEFORE BEGINNING ASSEMBLY!

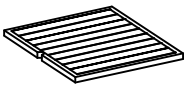
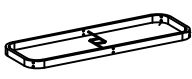
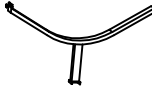

- There are 3 packages for this product
- Please confirm the quantity and quality of parts as soon as possible according to the product parts list in the manual. Be sure to check all packing materials carefully for small parts may have come loose inside the carton during shipment. If parts are missing, contact us to obtain any missing parts.
- DO NOT USE SUBSTITUTE PARTS.
- Always use proper tools.
- Follow the assembly steps in order. Do not skip any steps.
- Periodically check to ensure that all connectors (bolts, screws, etc.) are tight.
- Keep the instructions for future reference.

CAUTIOUS




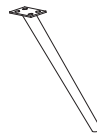
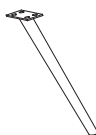
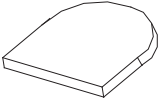

- **PE Rattan Backrest regular cleaning:** Use mild soapy water or a special cane chair cleaner to gently wipe the surface of the cane chair to remove dust and stains. If stains appear on the rattan chair, they should be treated as soon as possible. Gently wipe the stain with a mild cleaner or white vinegar to avoid damage to the cane due to excessive force. Avoid using a cloth or brush that is too wet to damage the cane. For the seat frame ensure that there is no water in the frame to prevent rust, after cleaning, air dry or wipe dry with a soft cloth.

- **Durability:**Wipe rattan furniture with some light salt water, which can not only decontaminate, but also make rattan furniture flexibility to maintain a long time, and a certain anti-brittle, anti-insect role.For polyester throw pillows and seats, direct sunlight will make the fabric fade, it is recommended to be placed under the umbrella, or stacked up after use, both to save space and increase the service life of the product.
- **Regular inspection:**Check the surface of the galvanized pipe regularly to ensure that the galvanized layer is not damaged or rusted. Timely maintenance can extend service life. Clean the surface of galvanized pipe regularly, remove dust, oil and other impurities, and keep the surface smooth.
- **Collision prevention:**During use, avoid violent collisions on chairs made of galvanized tubes to reduce the possibility of surface damage.Check the tightness and tightness of the joints regularly to ensure that there are no leaks or looseness.
- **Heat transfer plastic wood desktop:** It is necessary to avoid being placed near the heating and furnace to prevent portability caused by uneven heat for a long time, and in a very dry place, you can wipe the desktop with a wet rag to prevent the wood from drying and cracking
- **Placement:**The courtyard 7-piece set is placed in a flat position, compact structure and beautiful texture, can highlight your outdoor space while you enjoy leisure afternoon tea, is the ideal choice for patio, garden, balcony.




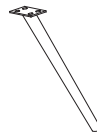

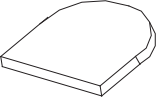





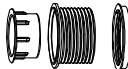

BOX : 1/3

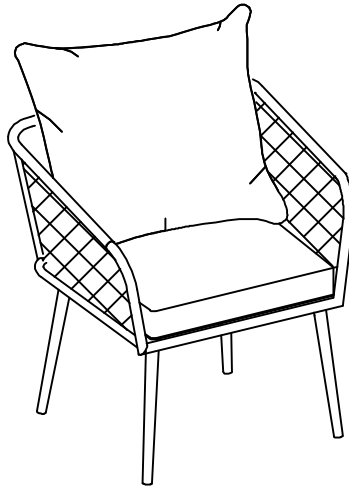
<p>F</p> 	<p>G</p> 	<p>H</p> 	<p>I</p> 
<p>2PCS</p>	<p>1PC</p>	<p>4PCS</p>	<p>2PCS</p>

BOX : 2/3

<p>A</p> 	<p>B</p> 	<p>B1</p> 	<p>C</p> 	<p>C1</p> 
<p>4PCS</p>	<p>4PCS</p>	<p>4PCS</p>	<p>4PCS</p>	<p>4PCS</p>
<p>D</p> 	<p>E</p> 			
<p>4PCS</p>	<p>4PCS</p>			




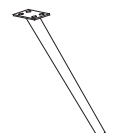
BOX : 3/3

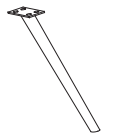
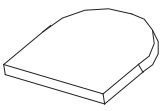
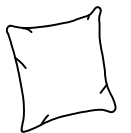
<p>A</p> 	<p>B</p> 	<p>B1</p> 	<p>C</p> 	<p>C1</p> 
<p>2PCS</p>	<p>2PCS</p>	<p>2PCS</p>	<p>2PCS</p>	<p>2PCS</p>
<p>D</p> 	<p>E</p> 	<p>J</p>  <p>M6*15</p>	<p>K</p>  <p>M6</p>	<p>L</p> 
<p>2PCS</p>	<p>2PCS</p>	<p>96PCS</p>	<p>120PCS</p>	<p>2PCS</p>
<p>M</p>  <p>M6*25</p>	<p>N</p> 	<p>O</p>  <p>M6*12</p>		
<p>12PCS</p>	<p>1PC</p>	<p>12PCS</p>		





X6

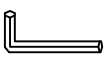
Component List

LABEL	QTY	DESCRIPTION	
A	6	Seat plate	
B	6	Left hind leg tube	
B1	6	Right rear foot tube	
C	6	Right front foot tube	

C1	6	Right rear foot tube	
D	6	Seat cushion	
E	6	Back pillow	

Hardware List

J	96	Bolts	 M6*15
K	96	Washers	 M6

L	1	Allen Wrench	
---	---	--------------	---

STEP1: The bottom of the seat plate **A** is turned upward, and the four foot tubes **B/B1/C/C1** are fixed in the corresponding positions respectively with screw **J** and gasket **K**.

A*6

B*6

B1*6

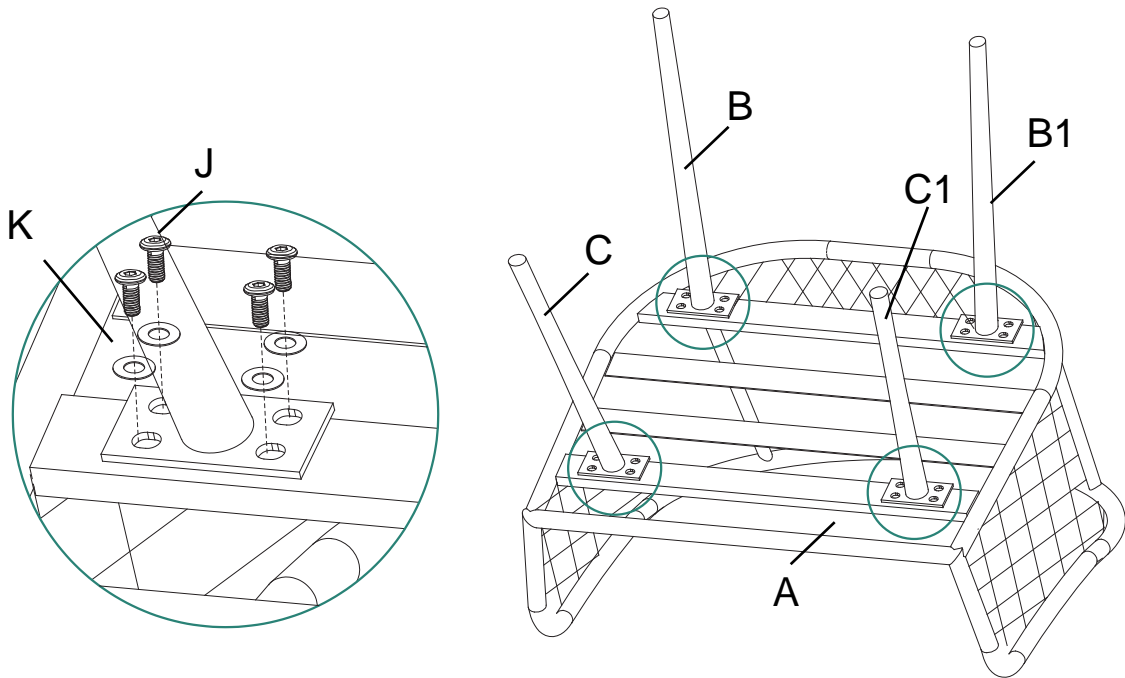
C*6

C1*6

J*96

K*96

X6

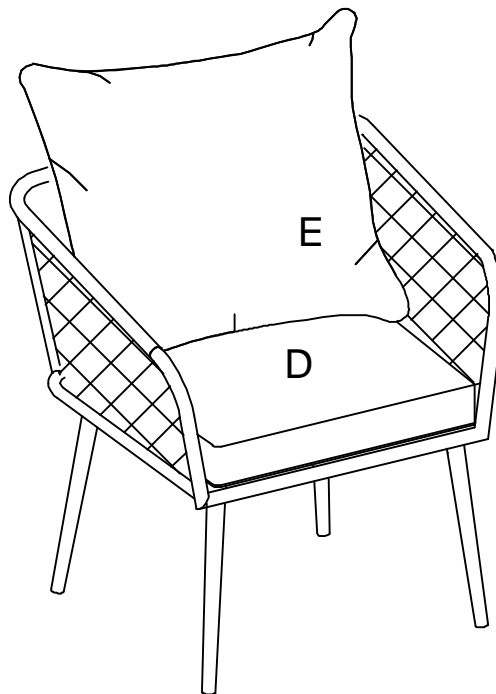


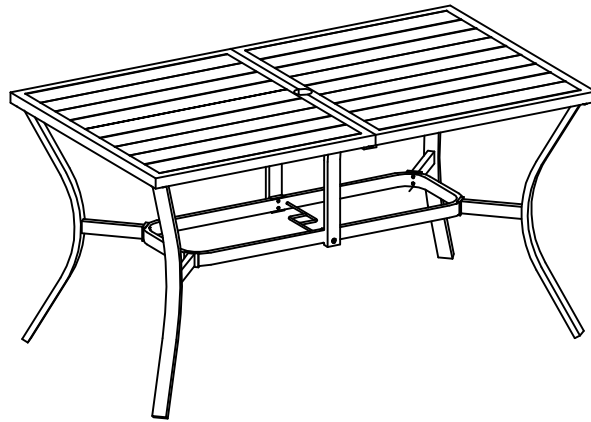
STEP2: Turn the chair over and put the seat cushion **D** and the pillow **E** respectively.

D*6

E*6

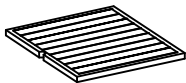

X6









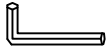
X1


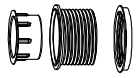
Component List

LABEL	QTY	DESCRIPTION	
F	2	Table	
G	1	Table retaining ring	

LABEL	QTY	DESCRIPTION	
H	4	Table leg	
I	2	Support tube	

Hardware List

O	12	Bolts	 M6*12
K	24	Washers	 M6
L	1	Allen Wrench	

M	12	Bolts	 M6*25
N	1	Parachute ring	

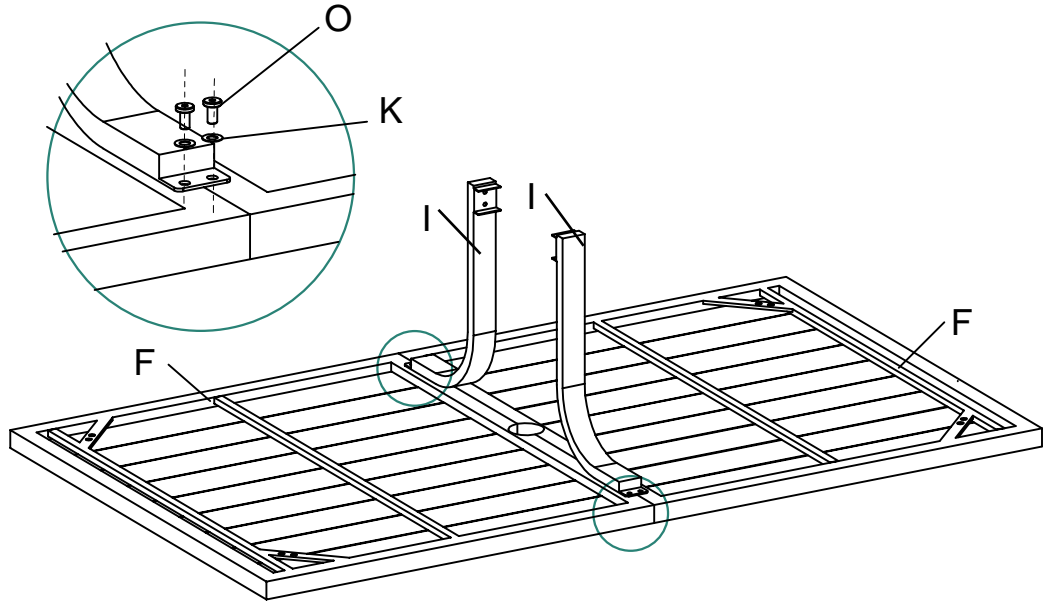
STEP3: The two tables **F** are turned with the bottom side up, and the two support tubes **I** are fixed in the corresponding positions with screw **O** and gasket **K**.

F*2

I*2

K*4

O*4

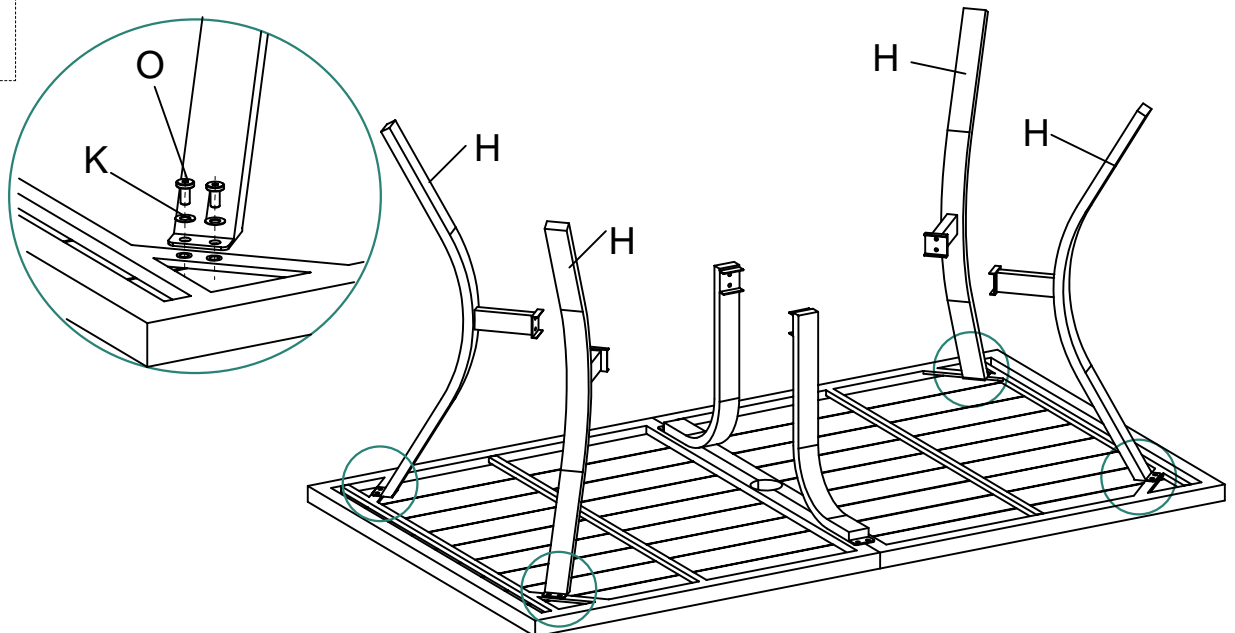


STEP4: Screw **J** and shim **K** to fix the 4 foot **H** in the corresponding position.

H*4

K*8

O*8

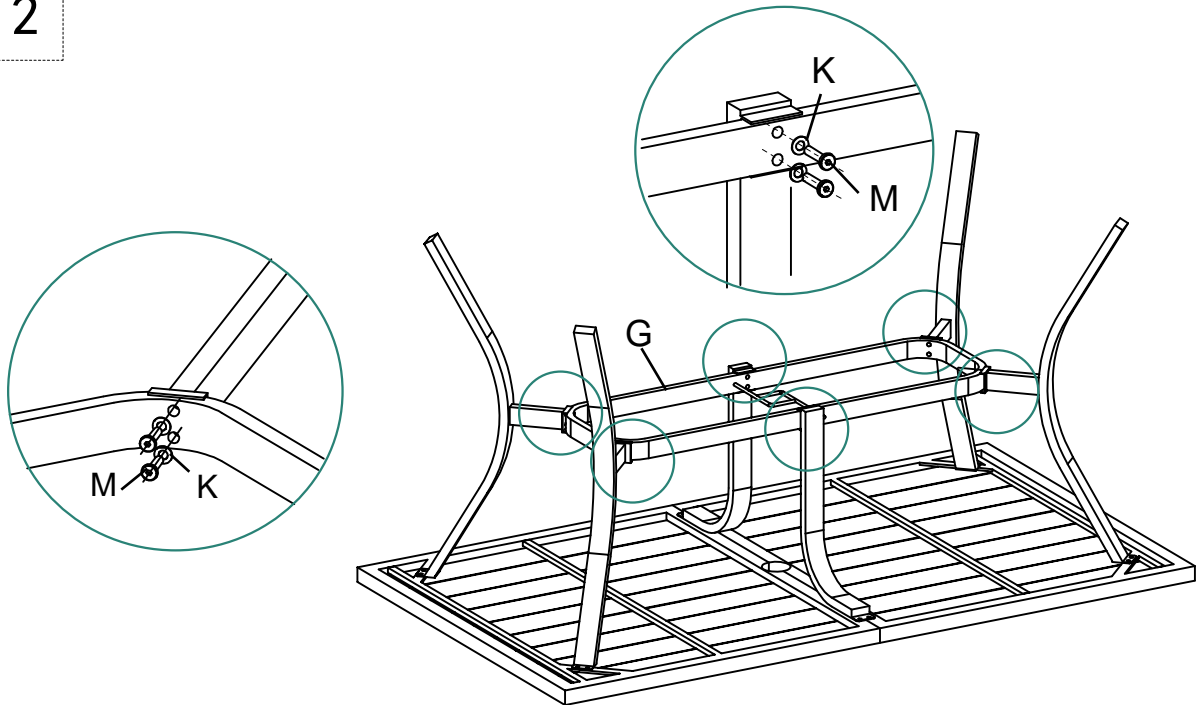


STEP5: Use screw **M** and gasket **K** to fix the table fixing ring **G**, 4 table feet **H** and support tube **I** in the corresponding position.

G*1

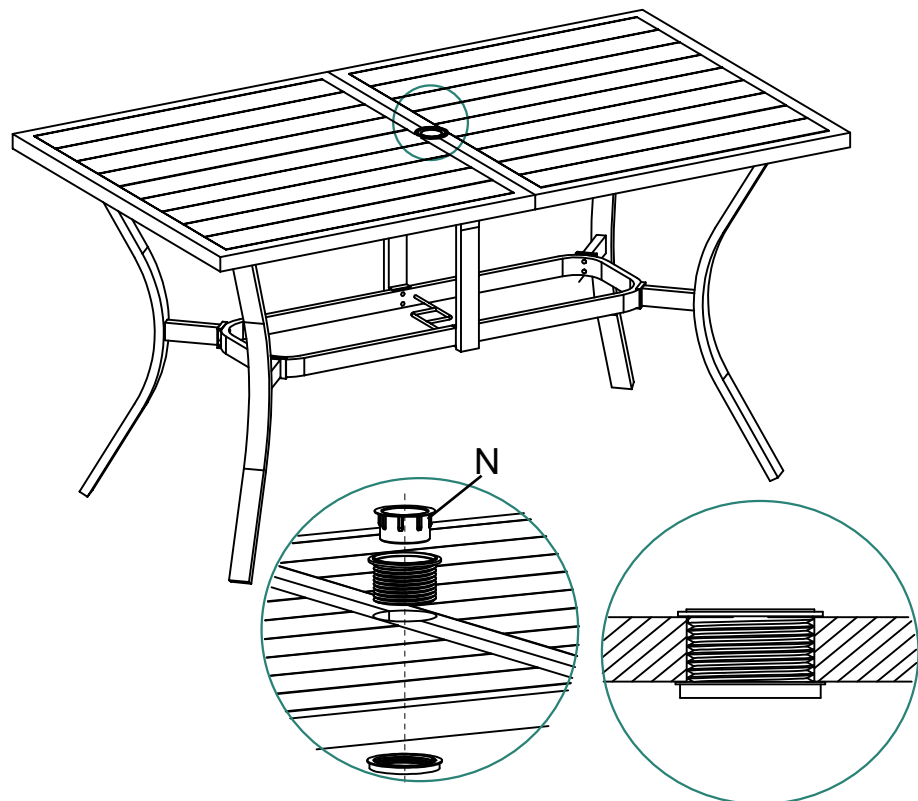
K*12

M*12



STEP6: Secure the umbrella hole ring **N** in the middle of the desktop.

N*1



Glad you finished the assembly and can enjoy it. If you are satisfied with our products, thank you for showing your new 7 Piece Patio Dining Set to everyone!

Have a good experience.