

文件柜

Product ID. 7ALSN

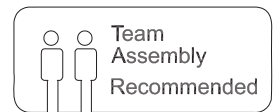
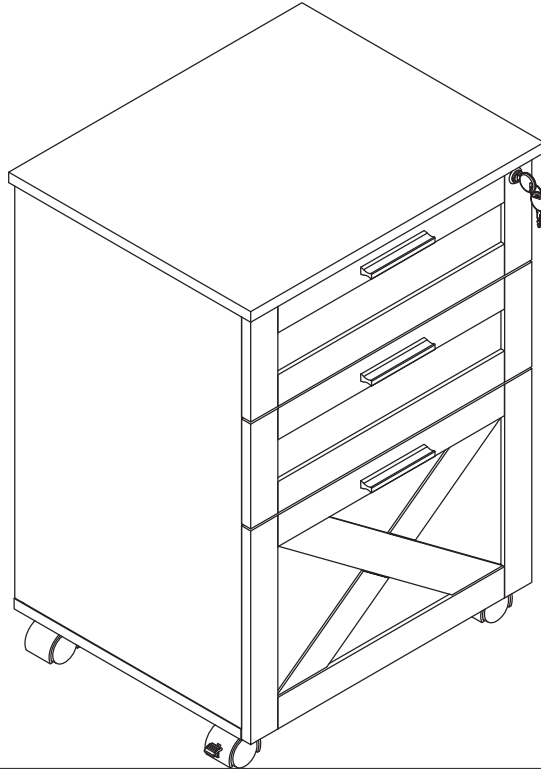


Scan for Support
support@garvee.com



Distributed by
GARVEE.com

Garveehome Assembly Instruction



Trouble shooting:

Missing / Wrong / Broken parts and installation issues



Send email with your question pic, order NO. and screenshot of order details to:
support@garvee.com



Respond within 24 hours



Issue resolved

Tips!



1. Check all the components & screws are intact before assembling .
 2. If you notice any pieces are missing or damaged please do not assemble and contact us immediately .
 3. **Please send an email with you order number and issues, we will respond within 24 hours.**
- Customer Service Team:** support@garvee.com

IMPORTANT SAFETY INFORMATION

Please carefully read the following instructions and caution warnings before assembling the product.

Following this guide will ensure that you install, use and maintain the product properly.

Please keep this installation and user manual/instructions for future reference in case you need to disassemble the product.

Never allow children to climb onto the product. Ensure that you have special safety measures when children are around on their own.

Be sure to check that all parts of the product are intact after you open the package.

Do not assemble if you notice serious damage such as cracks or bends.

During installation, please use work gloves for hand safety.

Please assemble the unit on carpeted floor or the flat cardboard box to avoid scratching the surface or your floor while assembling on the floor.

To assemble, please use the complimentary installation tools (Phillips screwdriver). Pay more attention to the direction of components at each steps.

It is recommended that two people work together to assemble the product.

RETURN POLICY

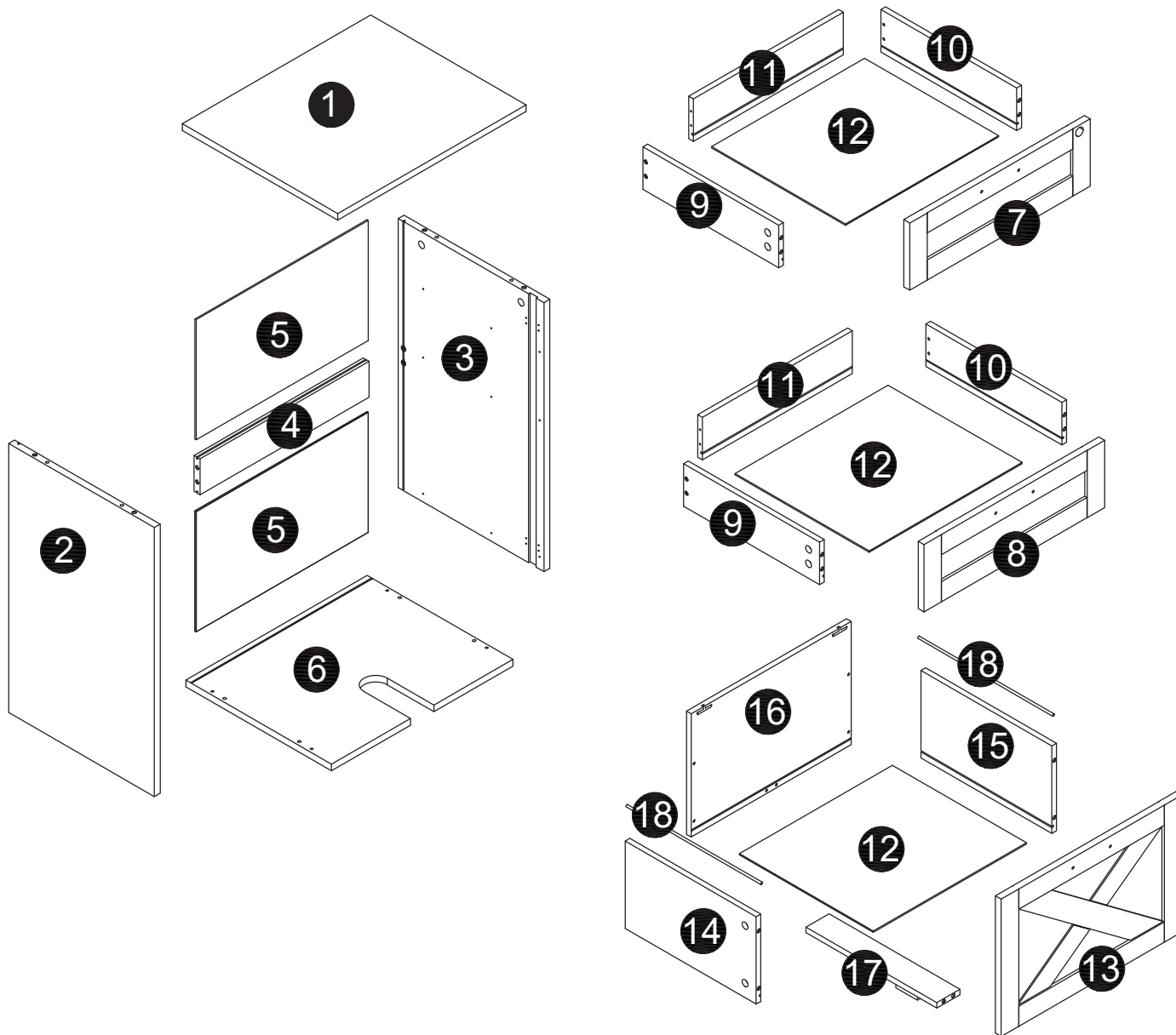
Please contact us directly within 30 days after receiving.

Please ensure the product is in a good condition with the original box and all original certificates of purchase, manuals, and accessories attached.

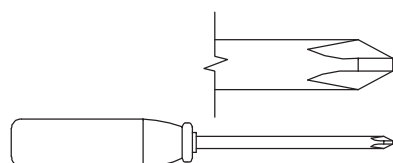
HOW TO MAINTAIN YOUR PRODUCT:

- Check the screws of the product are not loose from regular use.
- Do not use sharp instruments, rubbing alcohol, corrosive chemicals, or abrasive cleaners to clean the product.
- Do not keep the product in a damp environment for a long period of time.
The damp environment may cause the iron components to rust and the plates to bulge and crack.

Please check that you have all the parts listed below.

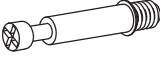




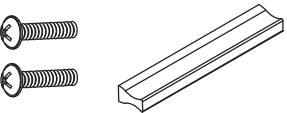
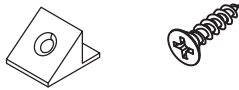

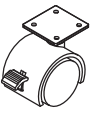
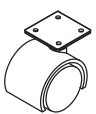

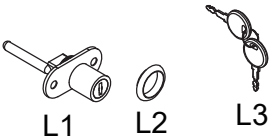


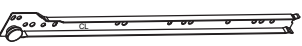





Two or more persons are needed for assembly and 60 minutes for assembly.
Please use the screwdriver corresponding to the shape and size of the screws.

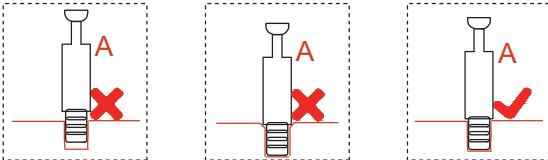


ASSEMBLY HARDWARE

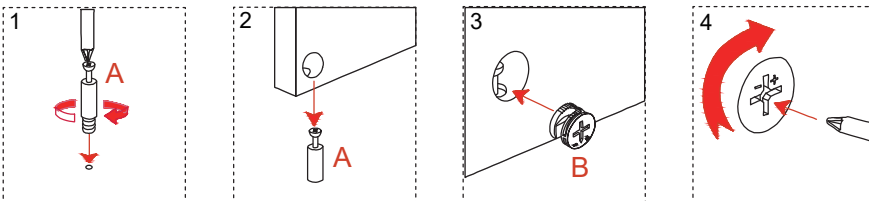
Please check that you have all the parts listed below.

<p>A x22(+1)pcs</p>  <p>Ø6x35mm</p>	<p>B x22(+1)pcs</p>  <p>Ø15x10mm</p>	<p>C x8pcs</p>  <p>Ø6x30mm</p>	<p>D x18(+1)pcs</p>  <p>Ø4x35mm</p>
<p>E x52(+3)pcs</p>  <p>Ø3x12mm</p>	<p>F x3sets</p> 	<p>G x8sets</p>  <p>Ø3x14mm</p>	<p>H x1pc</p> 
<p>I x2pcs</p> 	<p>J x2pcs</p> 	<p>K x20(+2) pcs</p>  <p>Ø4x12mm</p>	<p>L x1set</p>  <p>L1 L2 L3</p>
<p>M x3pcs</p> 	<p>N x1set</p> 		<p>CL x3pcs</p>  <p>350mm</p>
<p>CR x3pcs</p>  <p>350mm</p>	<p>DL x3pcs</p>  <p>350mm</p>	<p>DR x3pcs</p>  <p>350mm</p>	

Cam Lock System Operation

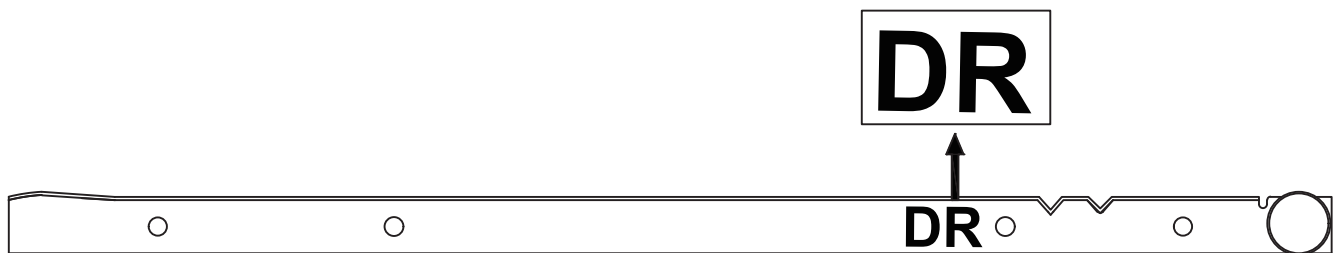
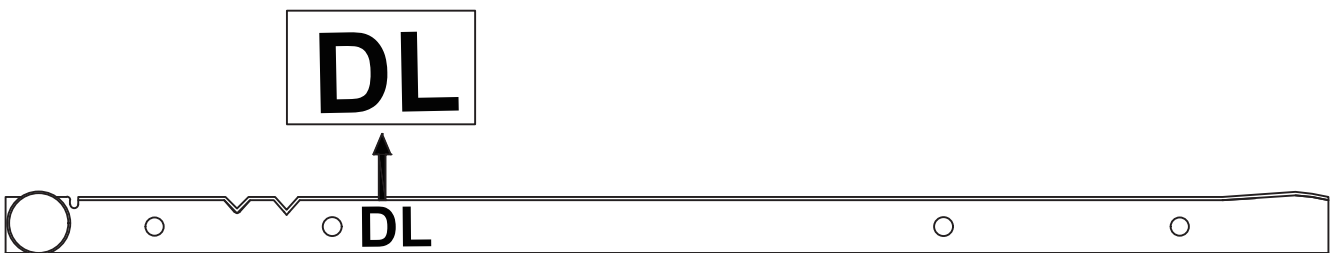
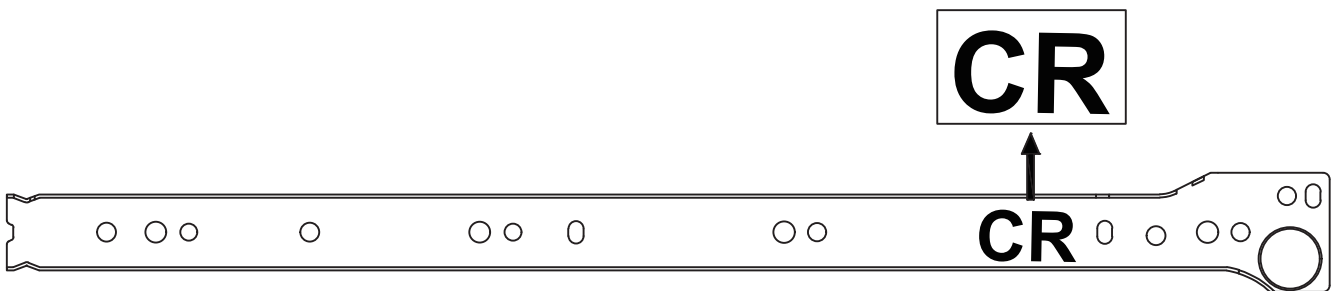
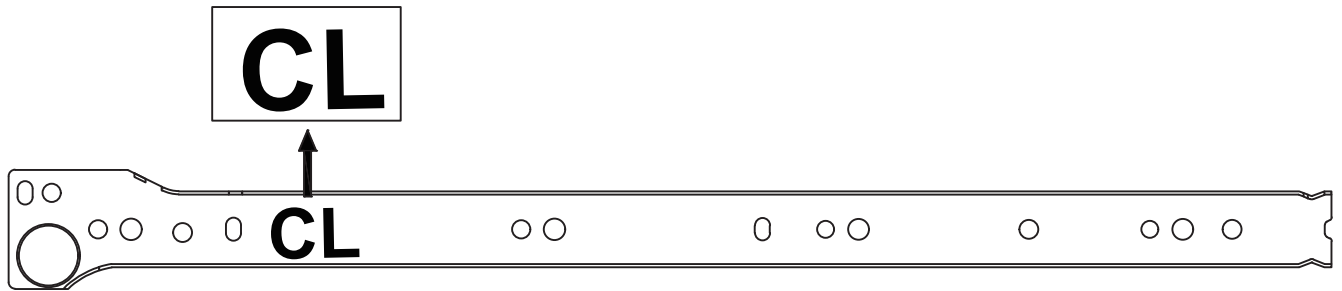


1. Screw the cam bolt [A] into the threaded insert on the panel.
2. Connect both panels together making sure cam bolt[A] goes into the pre-drilled large hole on the end of panel for cam lock[B].
3. Insert the cam lock [B] into the pre-drilled large hole on the panel. Make sure the cross slot of cam lock [B] faces out (The arrow should point towards Screw No. A).
4. Rotate the cam lock [B] clockwise with a self-supplied phillips screwdriver to lock the cam bolt [A] in place (Rotate 100-180 degrees until tight).





Note: Please note the positions of the markings "CL", "CR", "DL", and "DR" on the slide rail as shown in the figure:



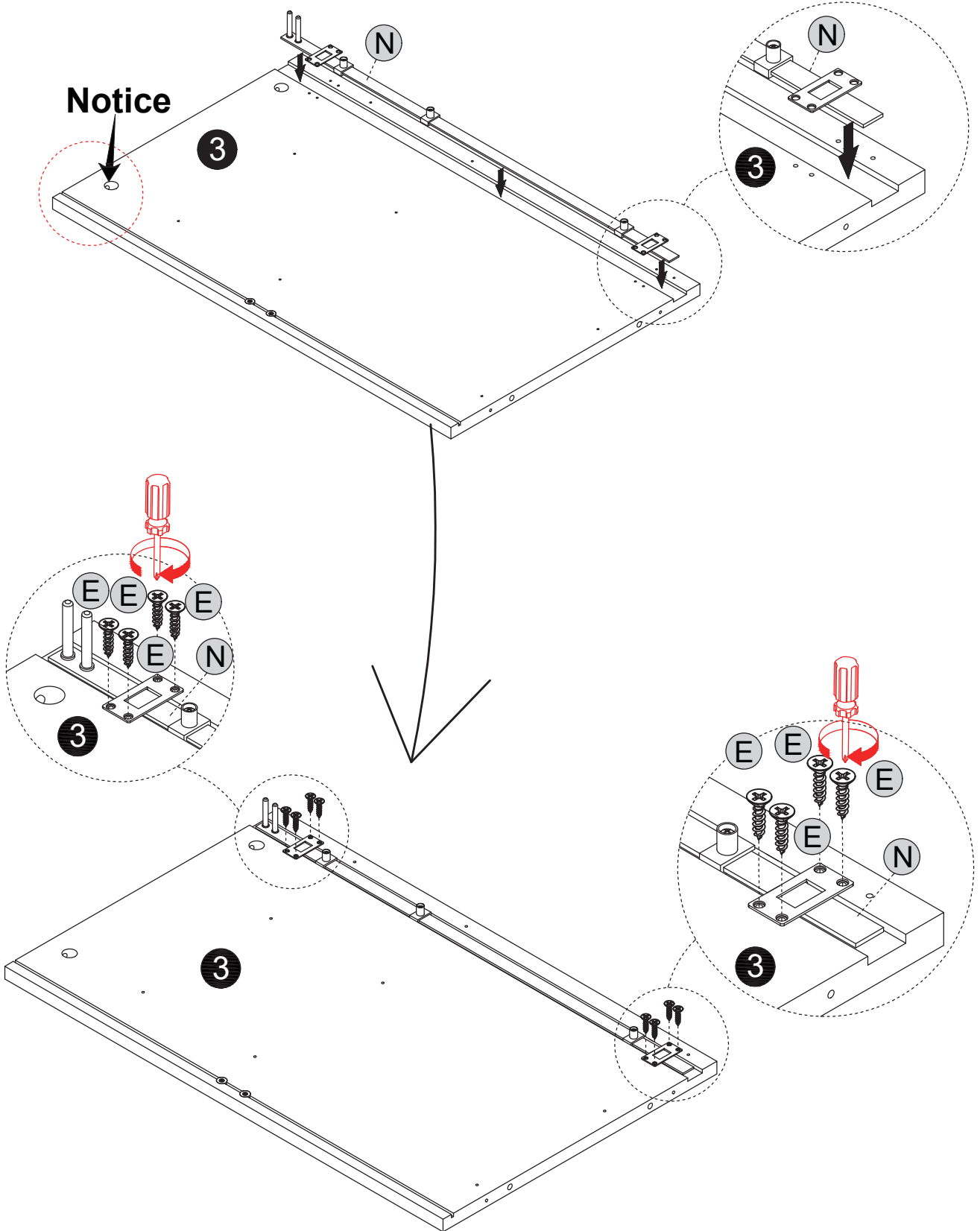
1

(E) x 8pcs

(N) x 1set



Notice

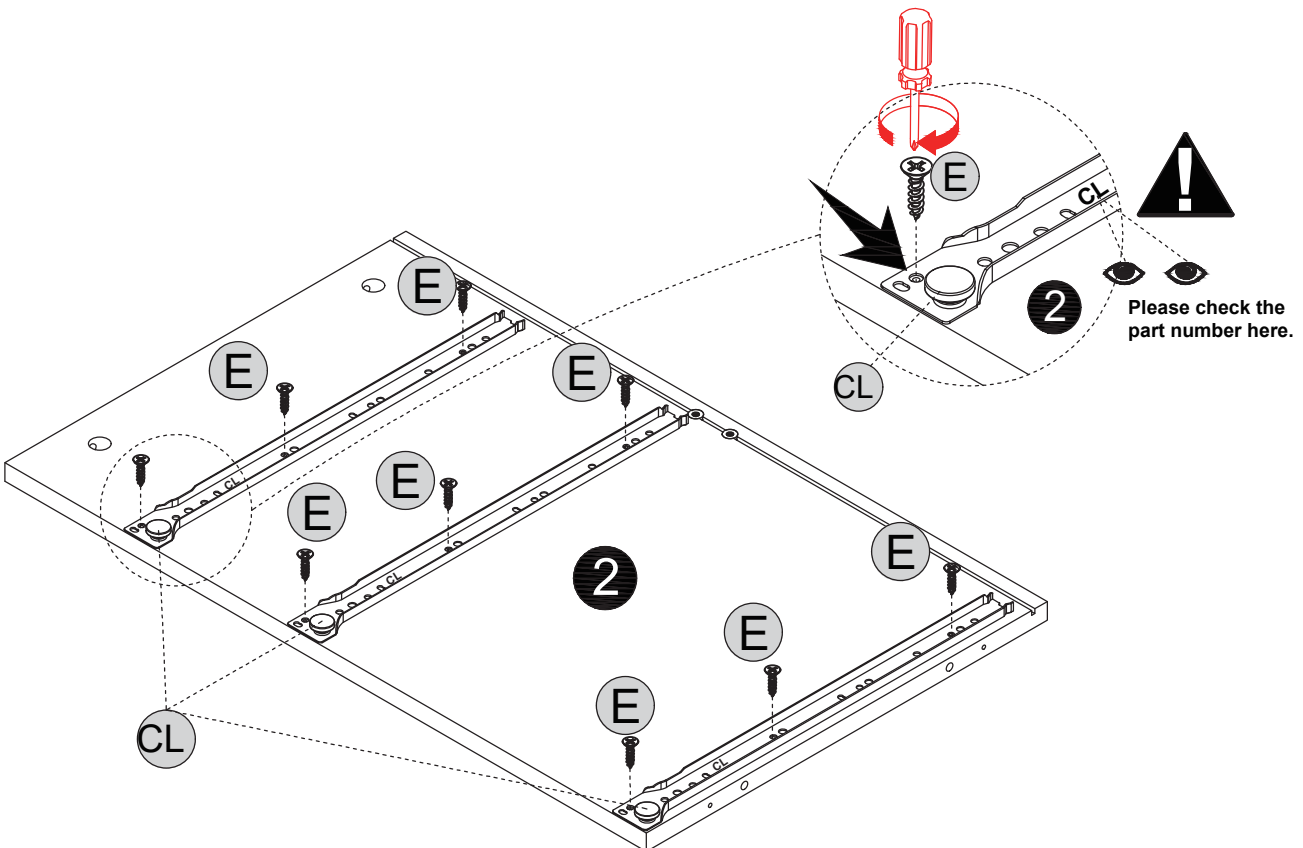
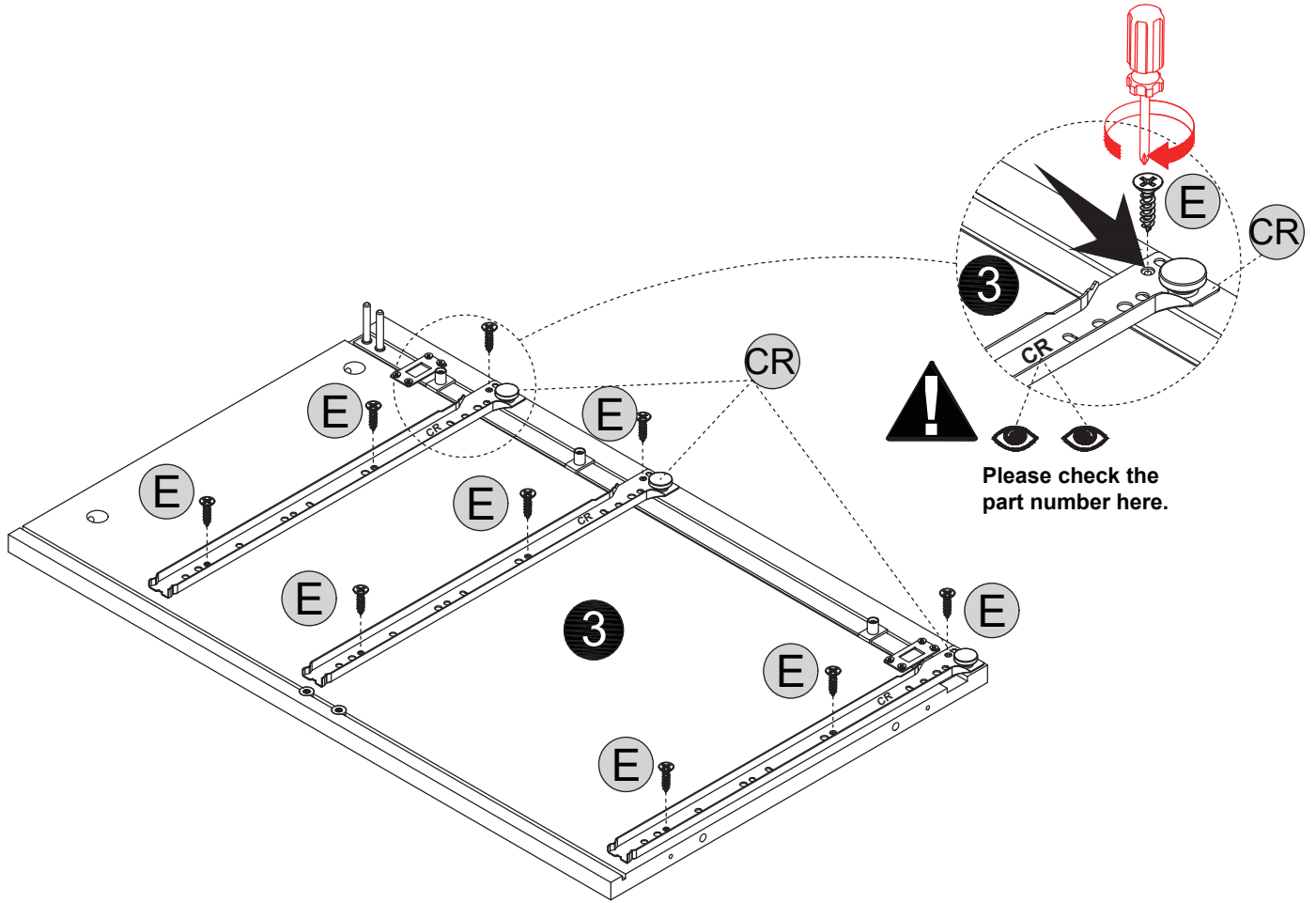


2

E x 18pcs

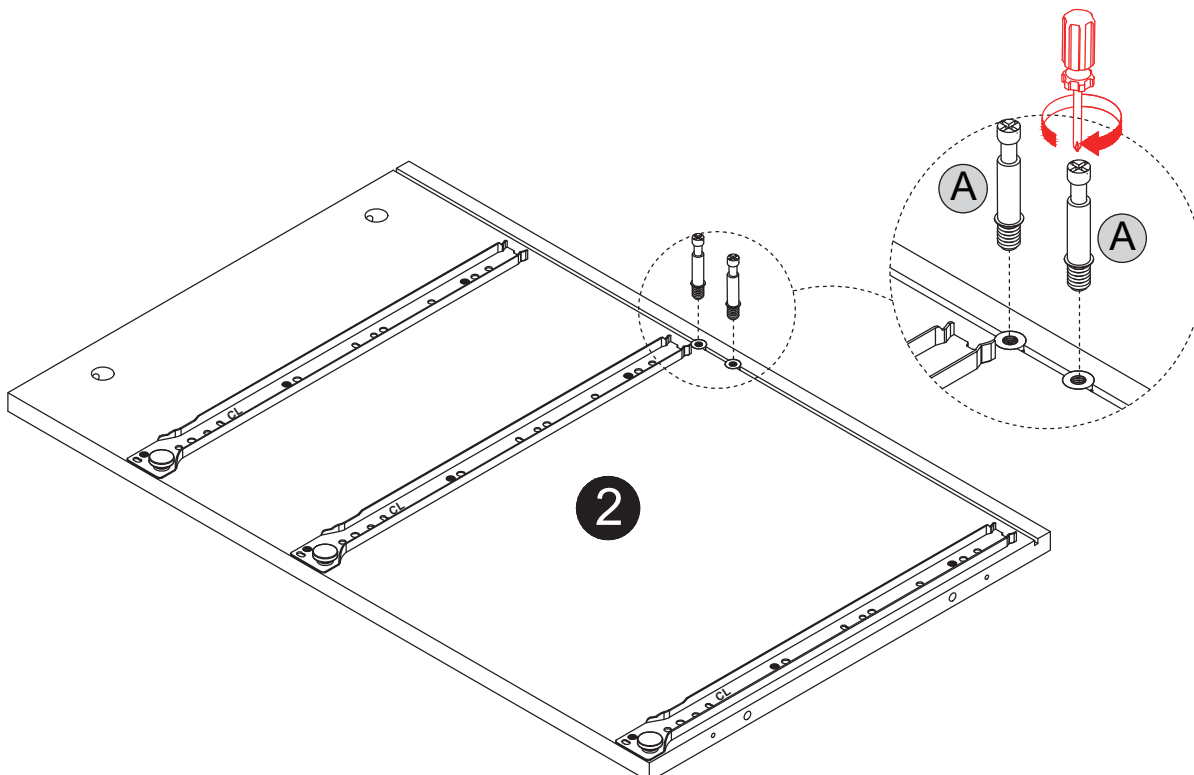
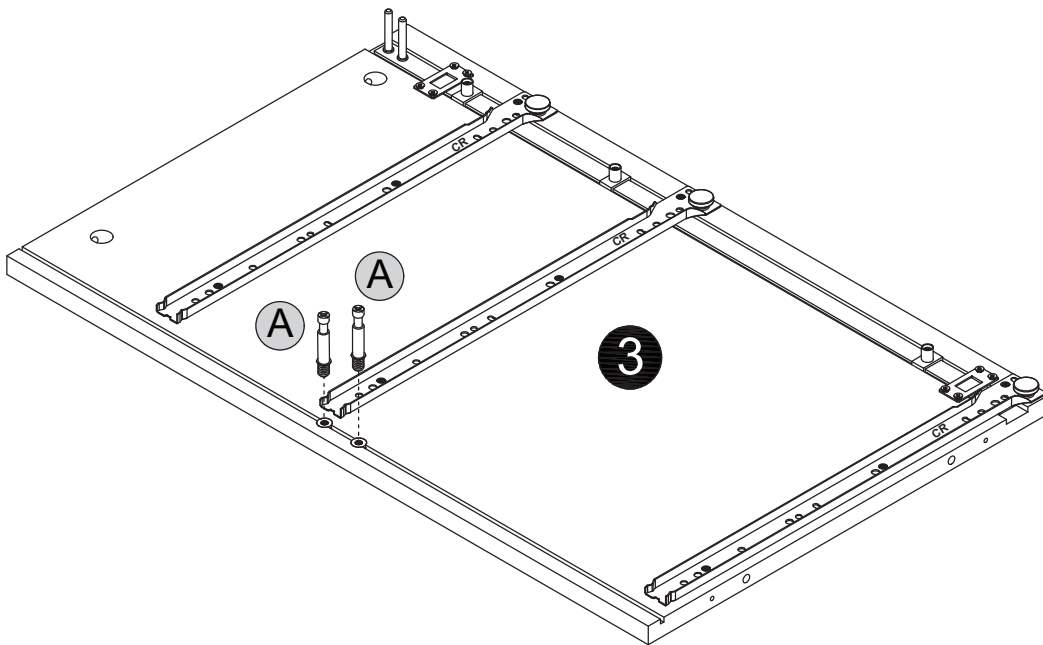
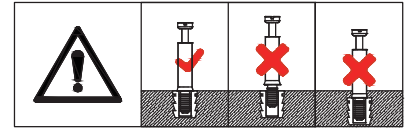
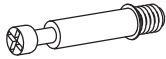
CL x 3pcs

CR x 3pcs



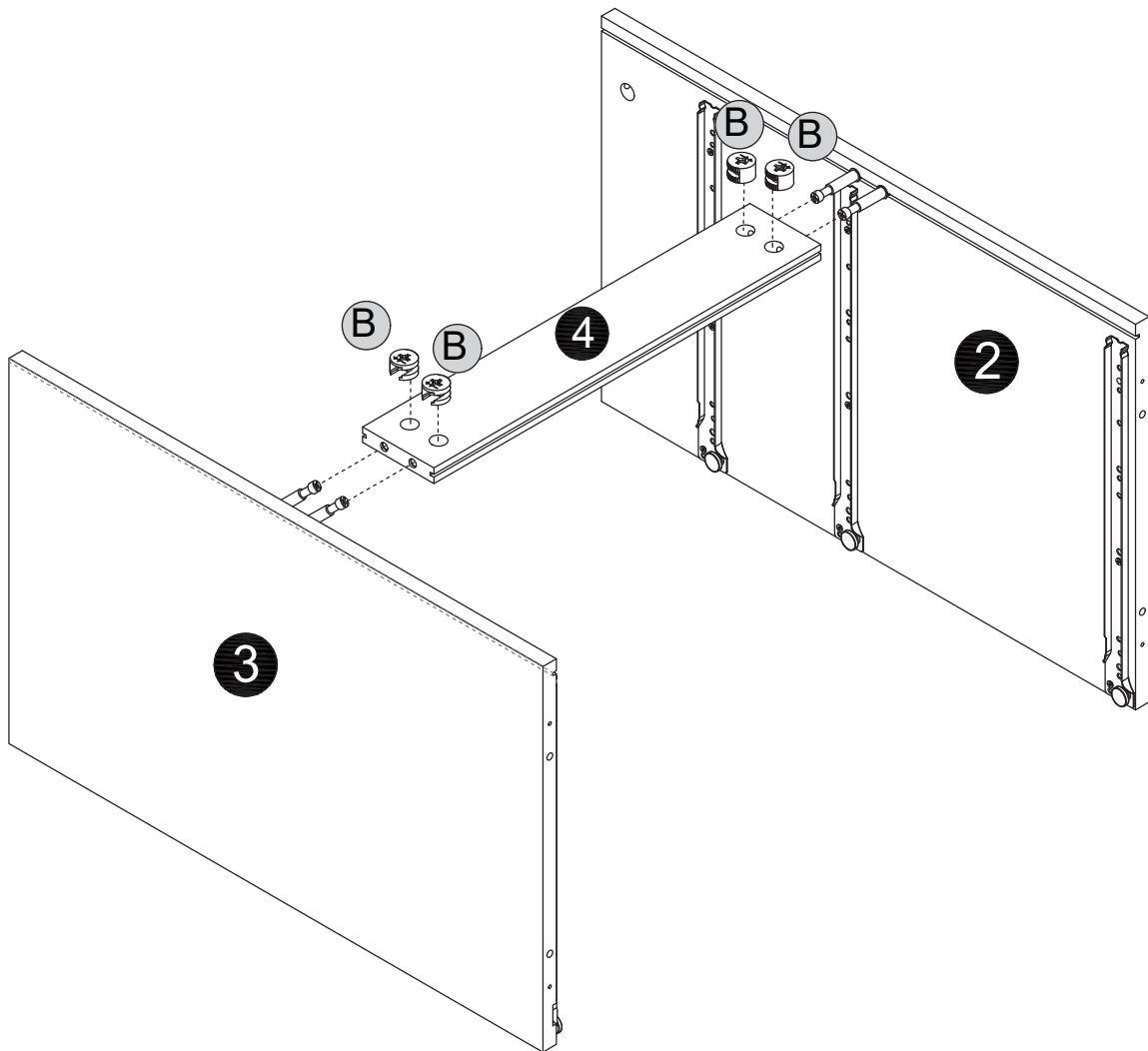
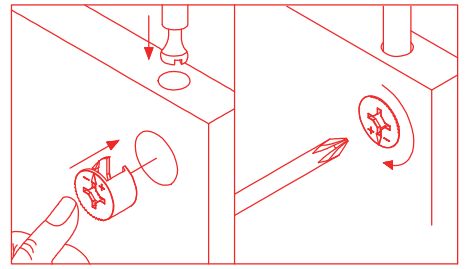
3

A x 4pcs



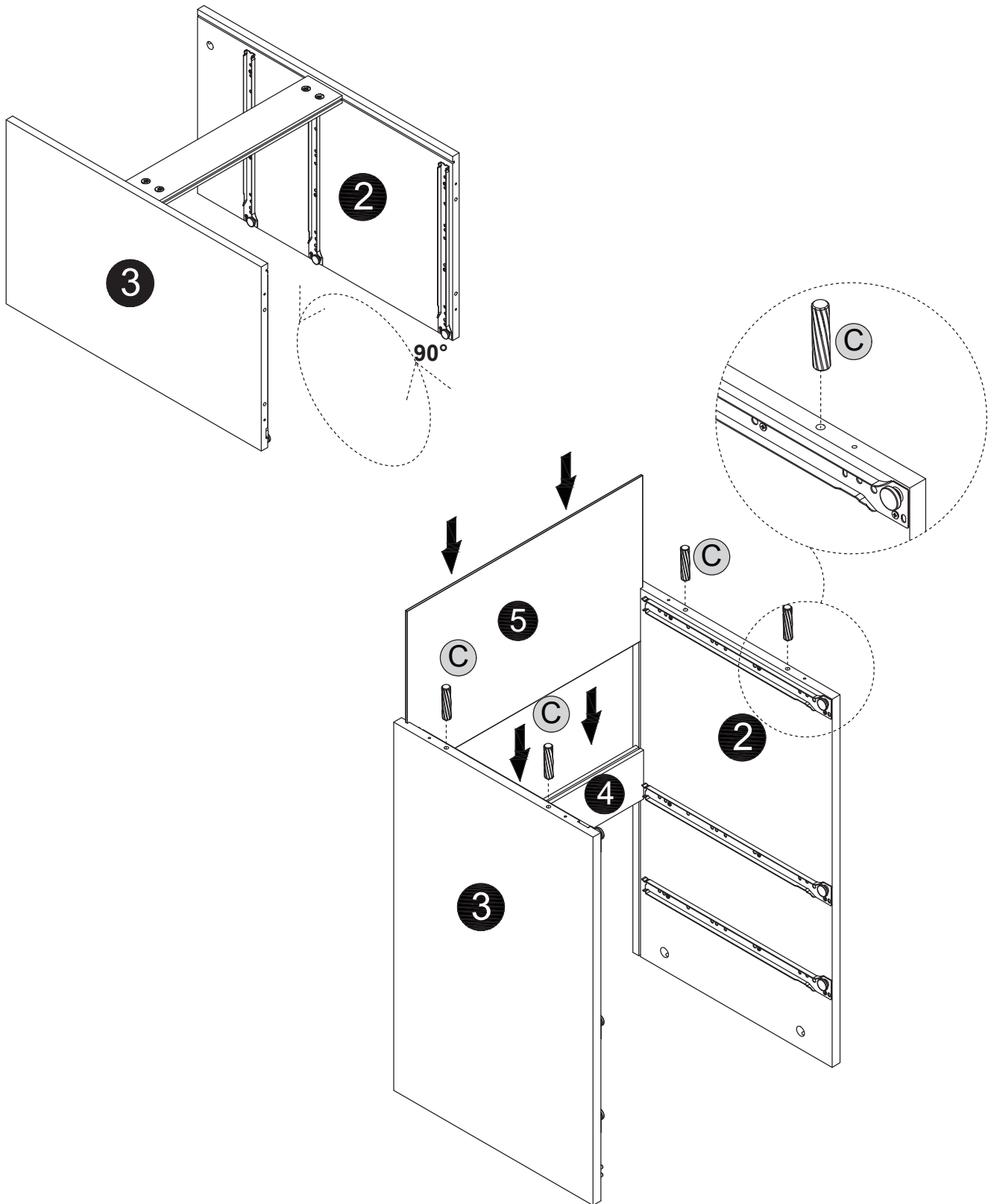
4

B x 4pcs



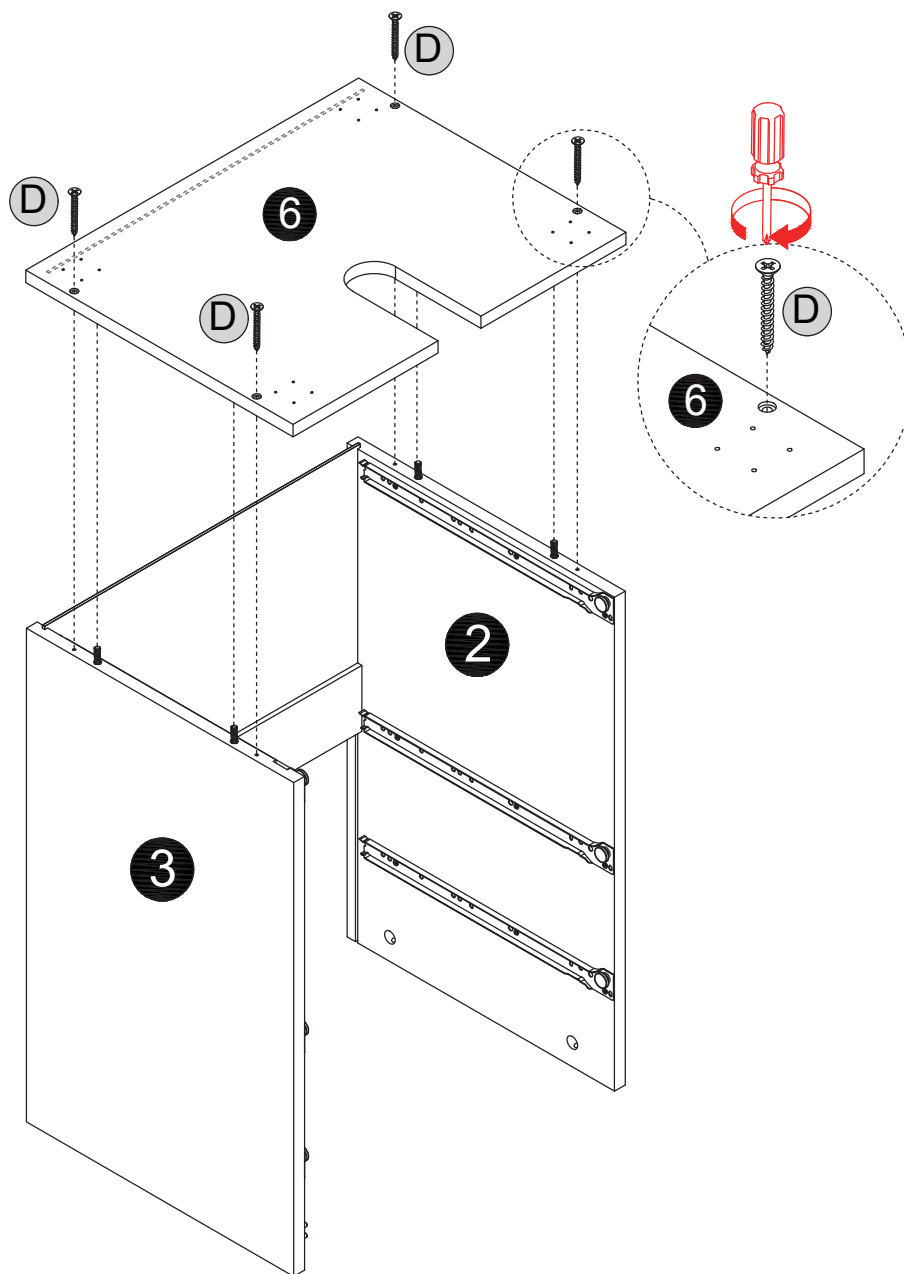
5

C x 4pcs

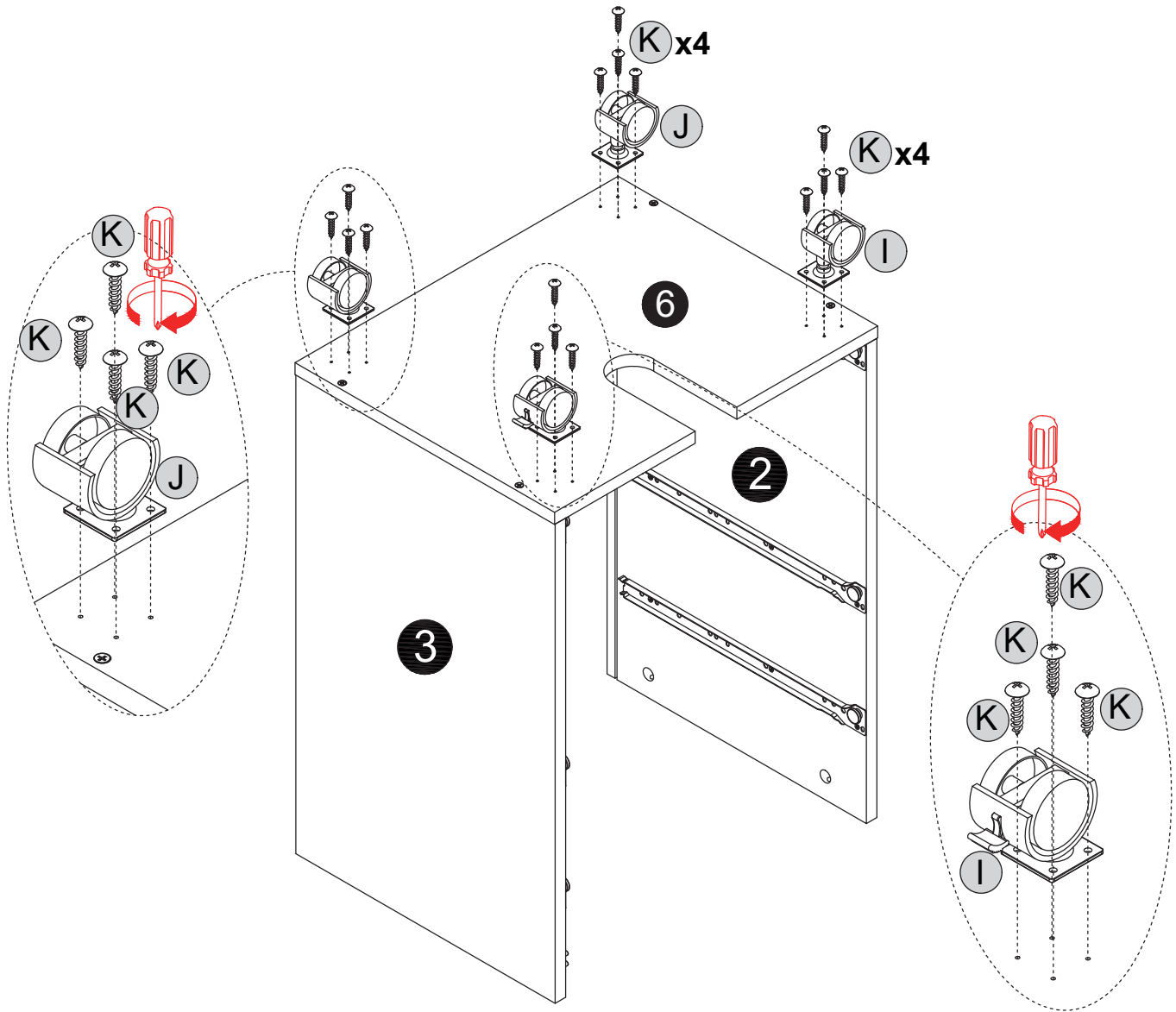
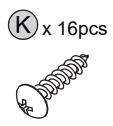
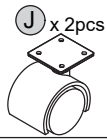
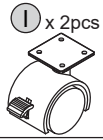


6

D x 4pcs

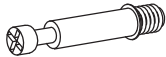


7

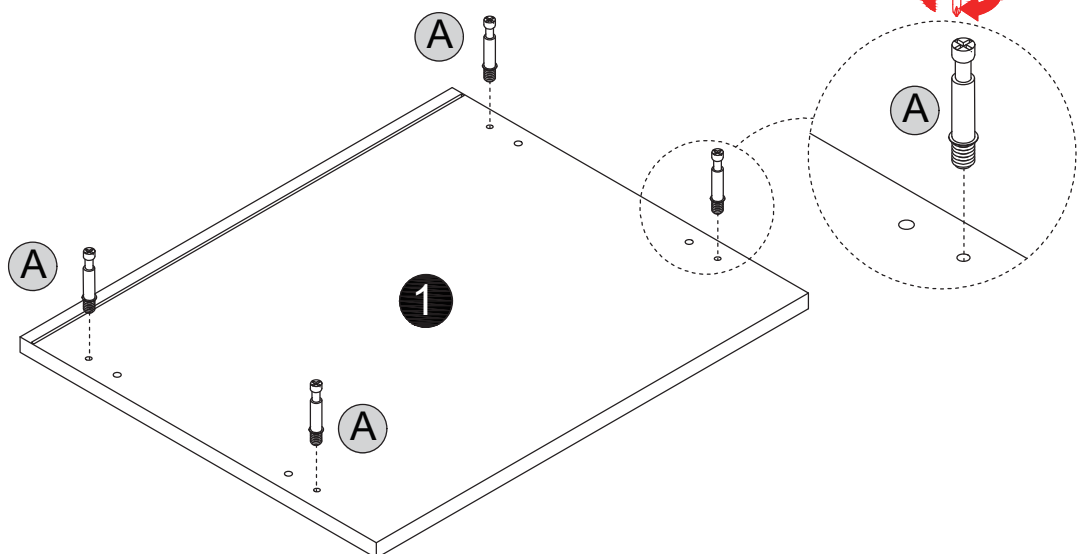
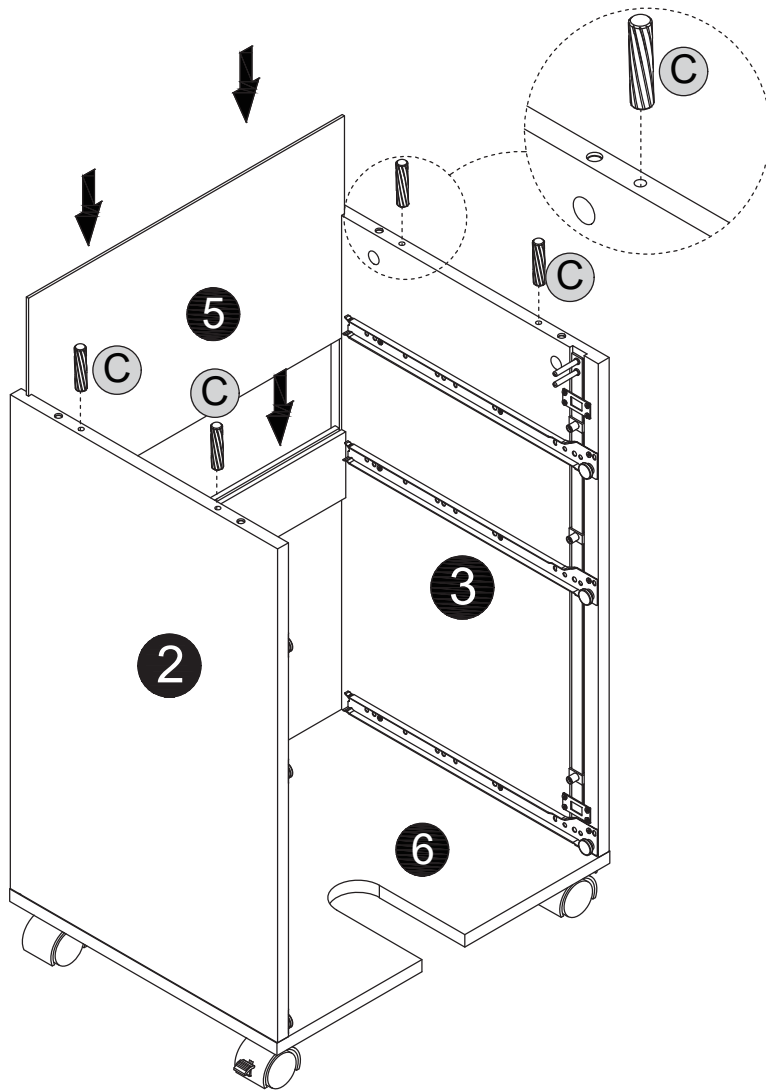


8

A x 4pcs

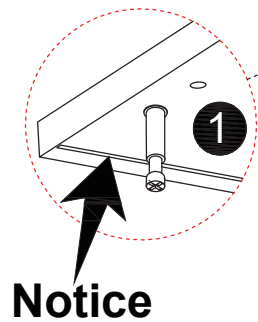
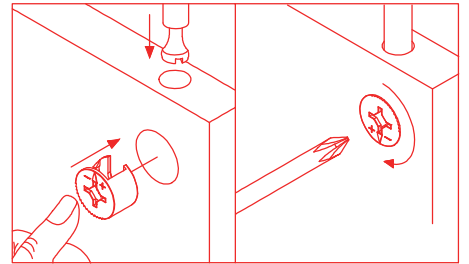


C x 4pcs

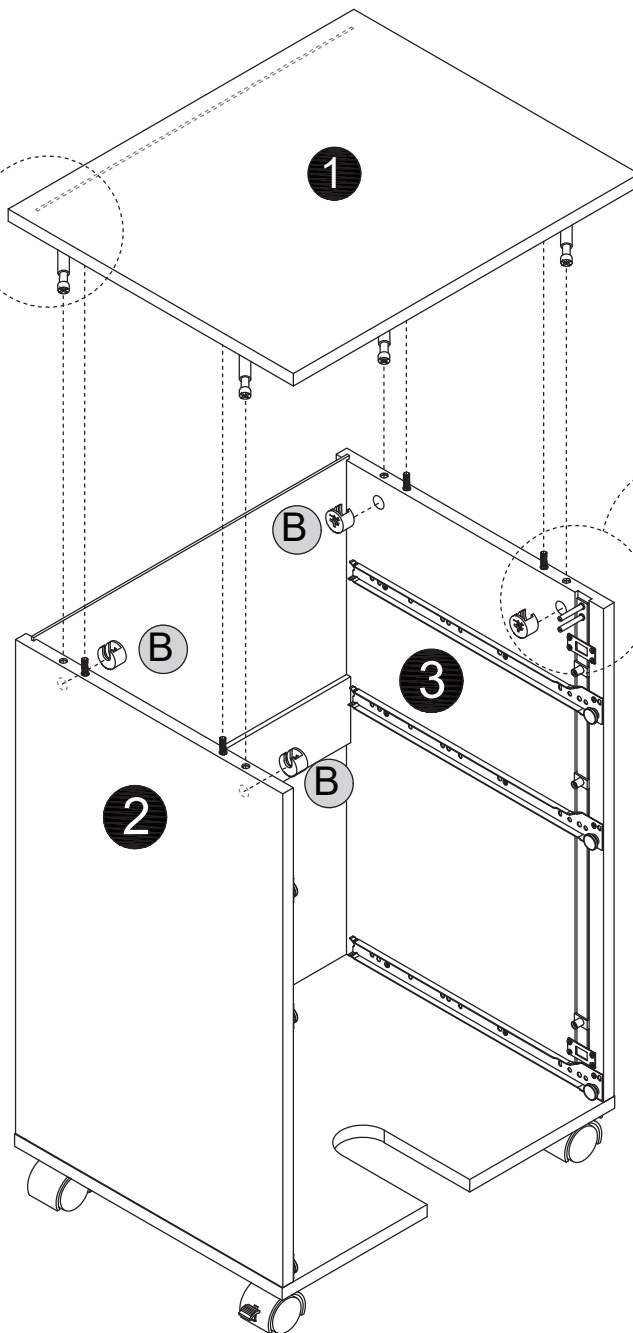


9

(B) x 4pcs

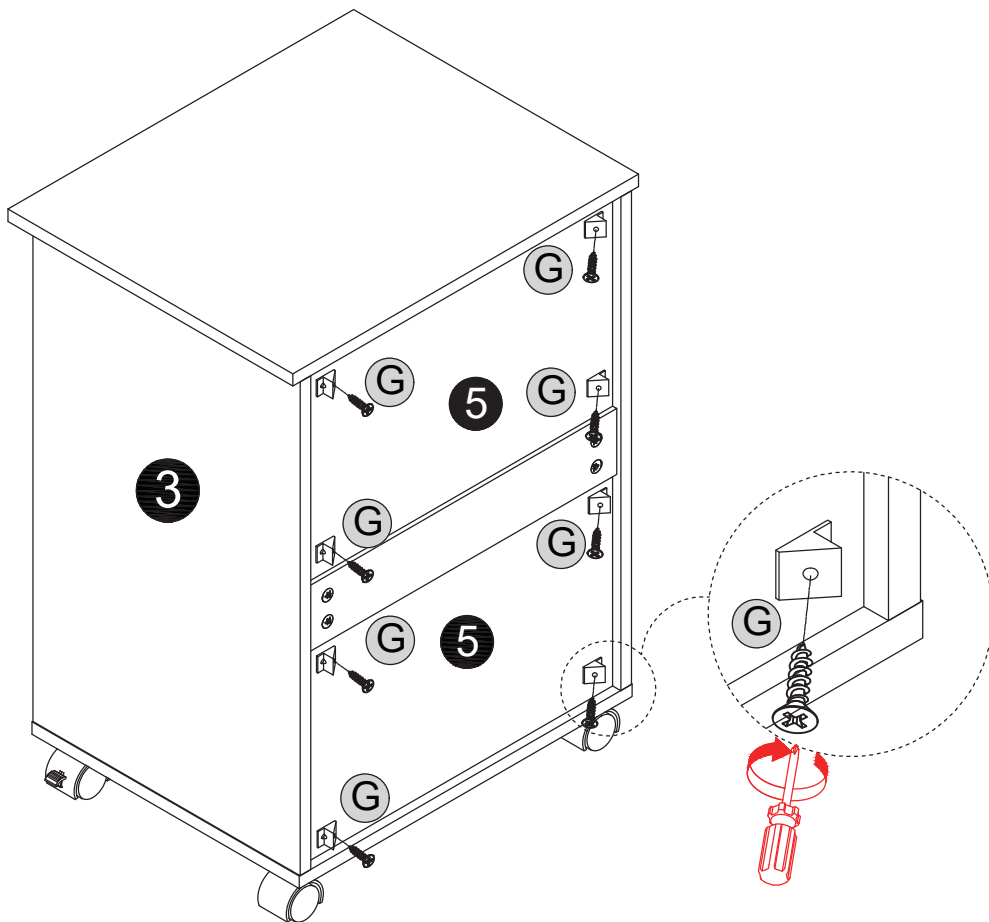


Notice



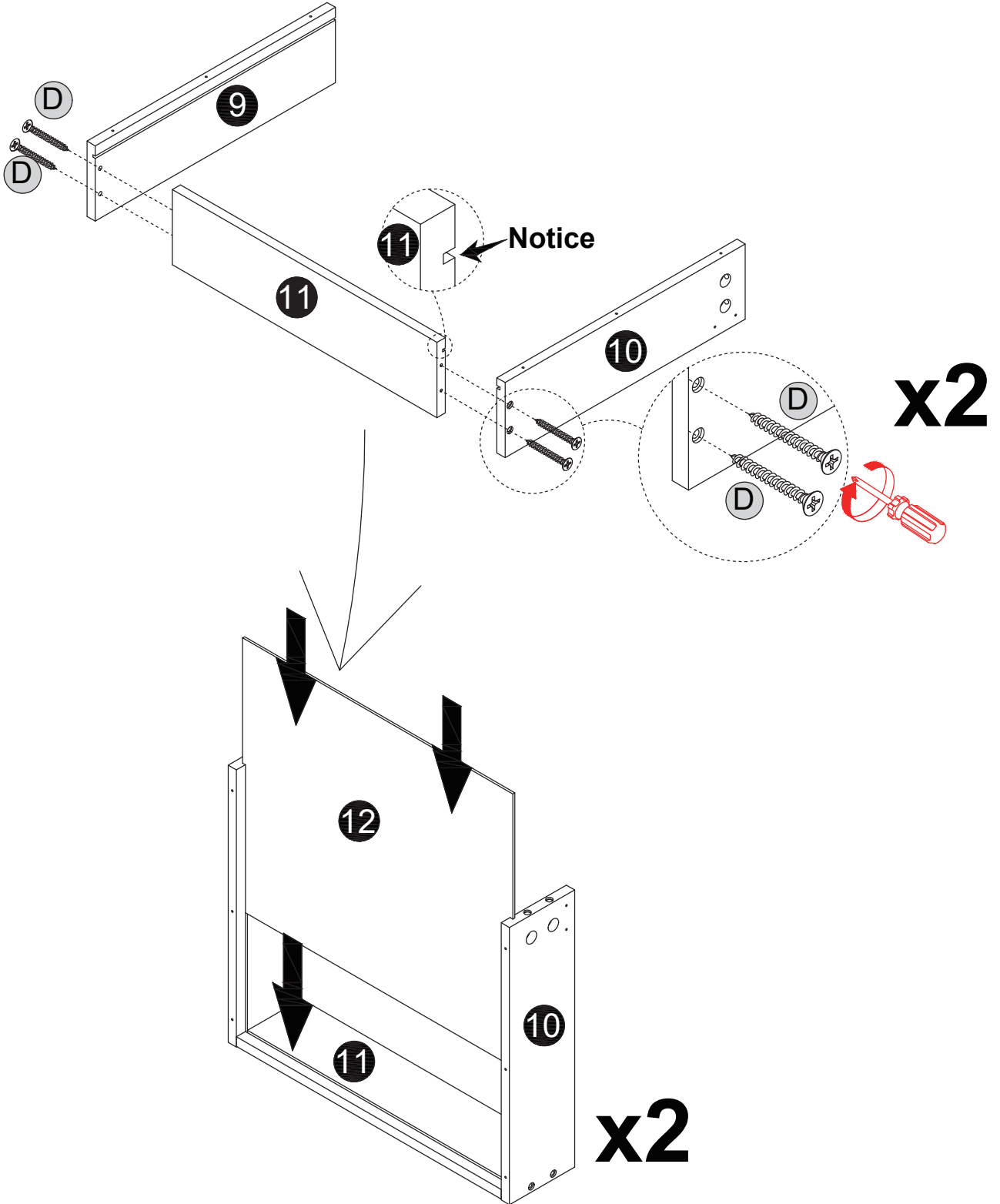
10

G x 8pcs



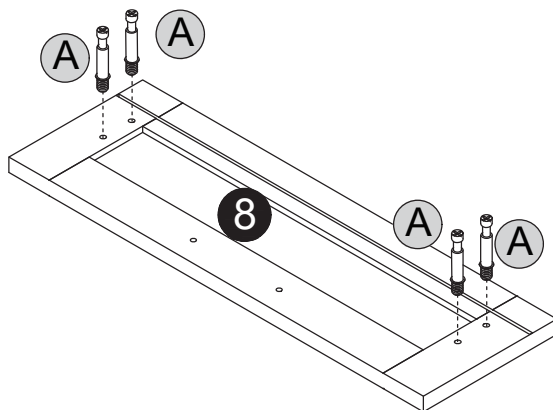
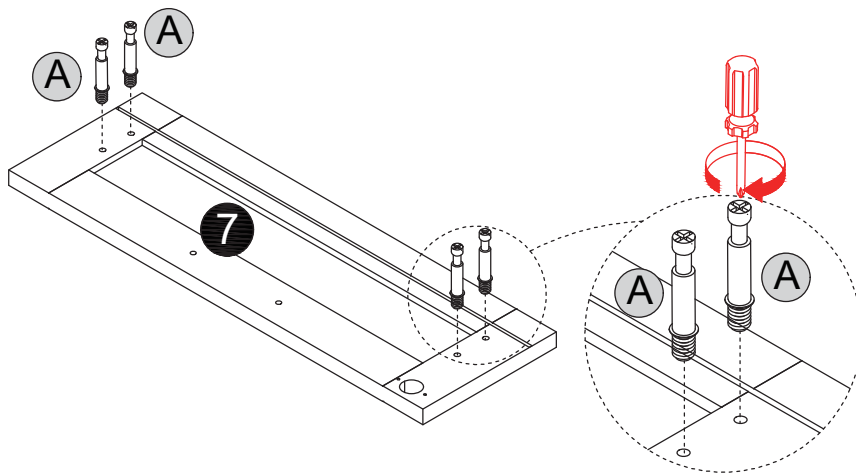
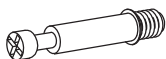
11

D x 8pcs



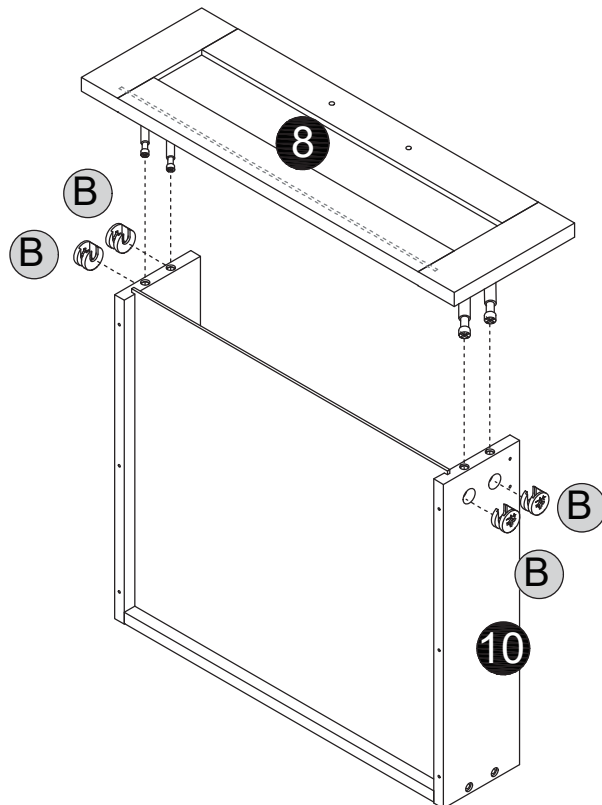
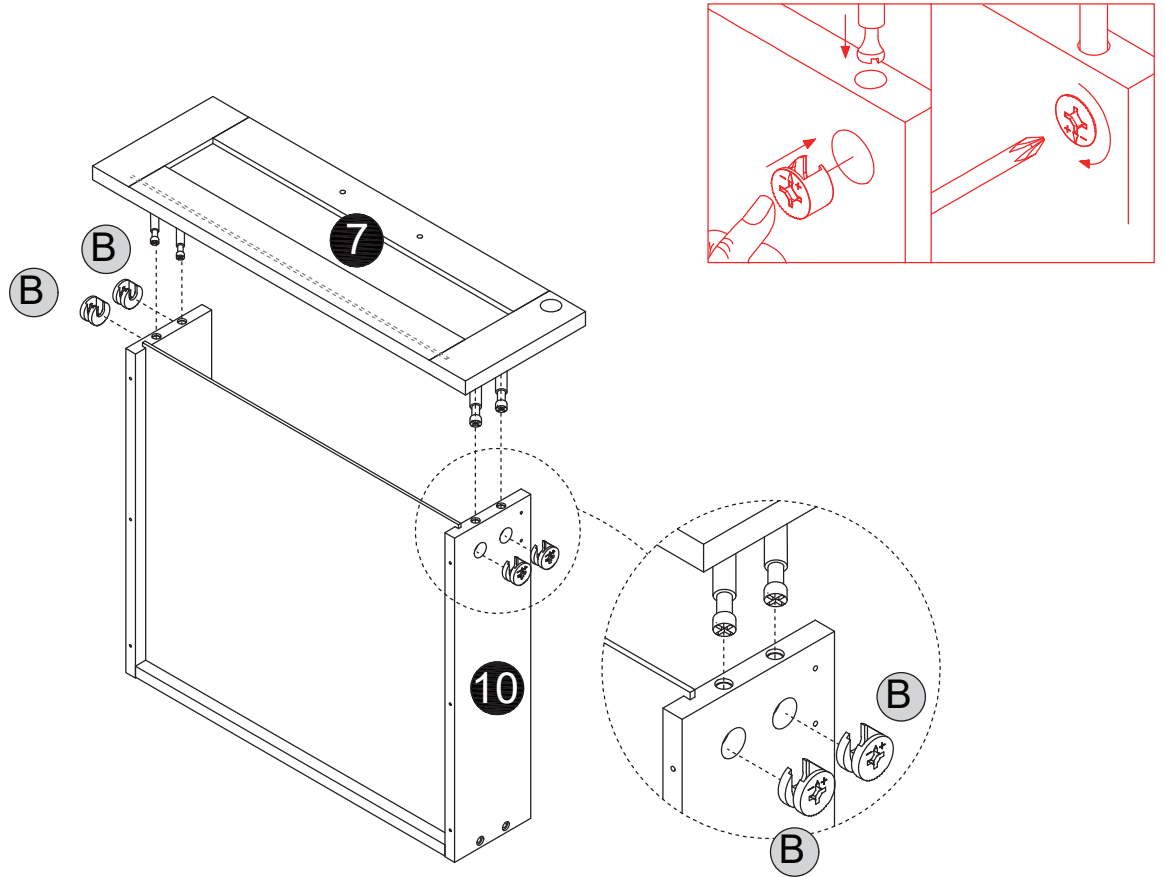
12

A x 8pcs



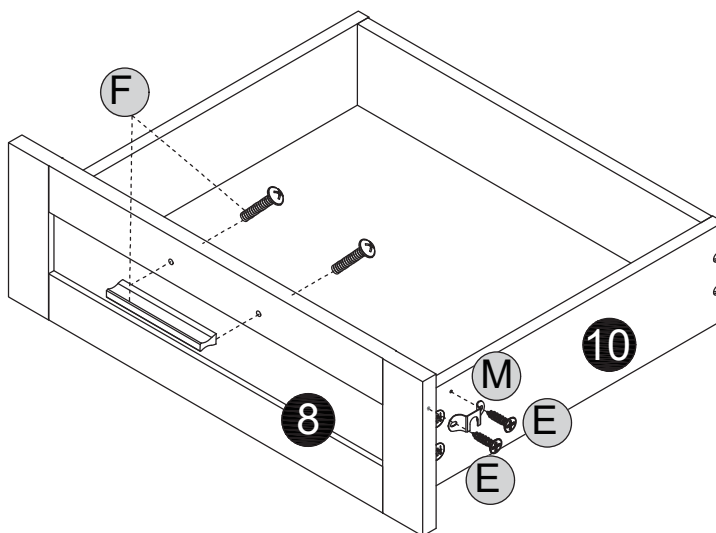
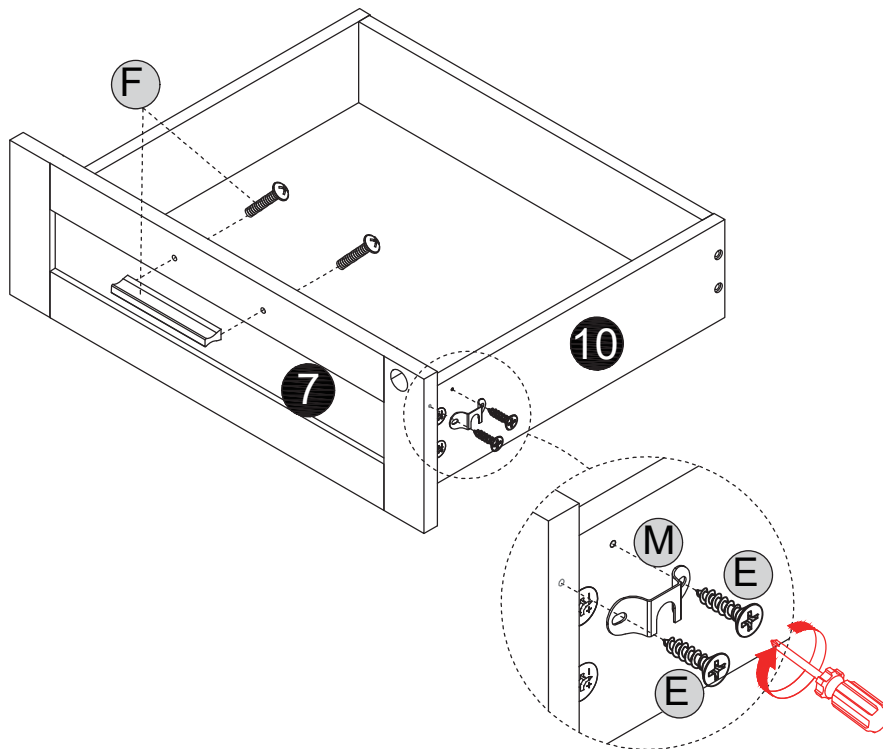
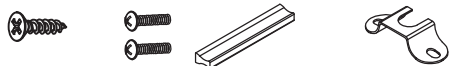
13

B x 8pcs



14

(E) x 4pcs (F) x 2pcs (M) x 2pcs

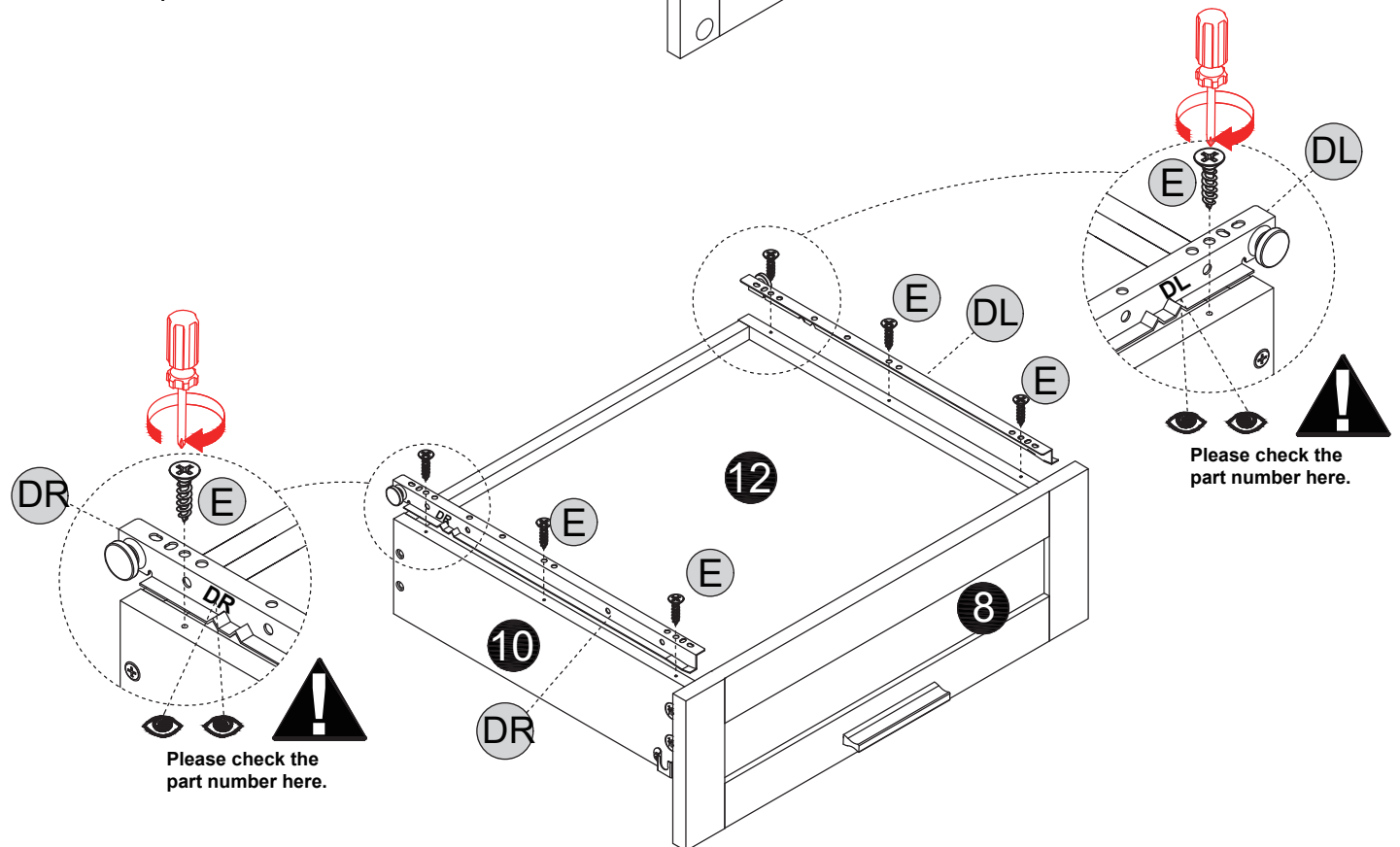
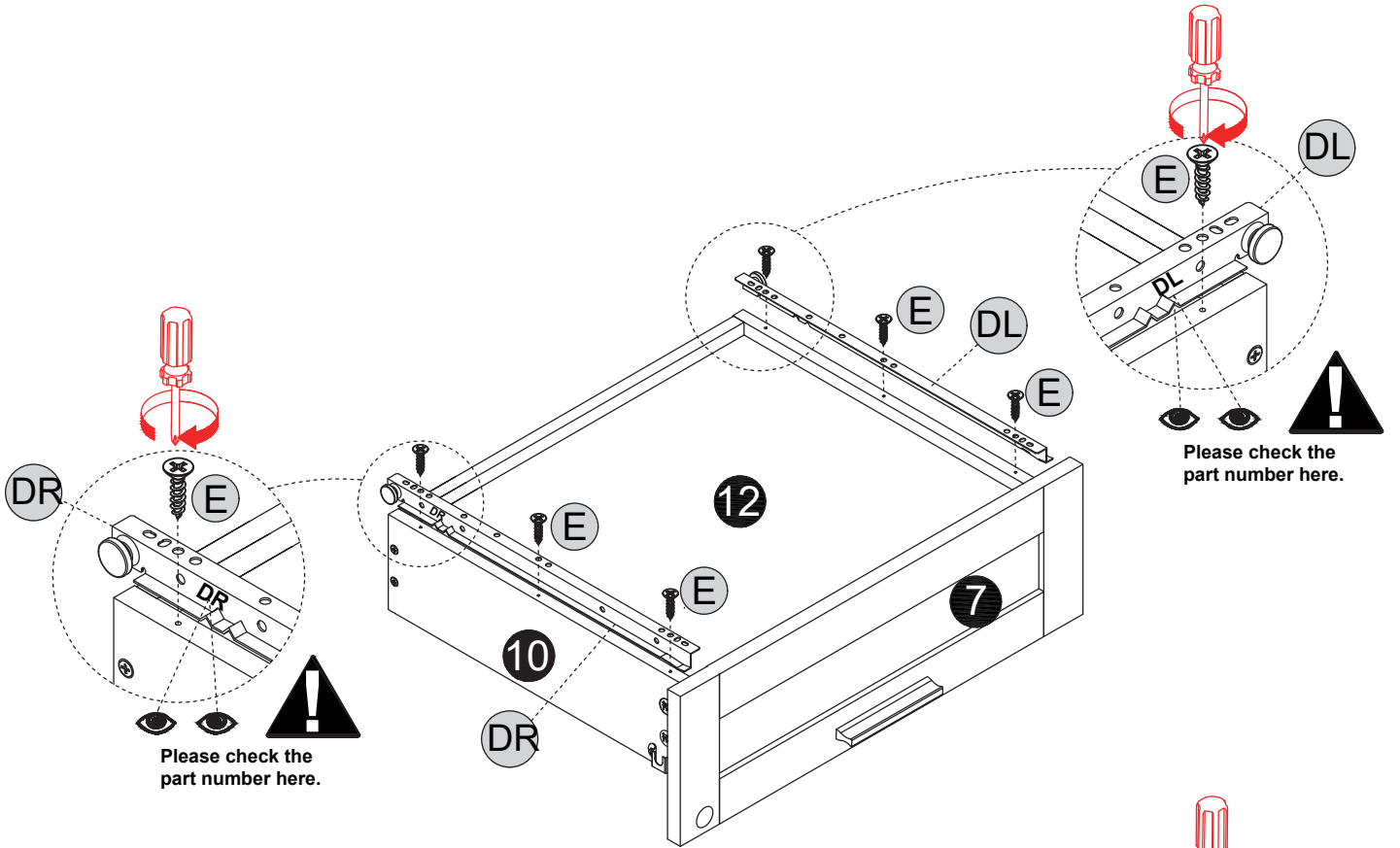


15

E x 12pcs

DL x 2pcs

DR x 2pcs



16

E x 2pcs

L x 1set

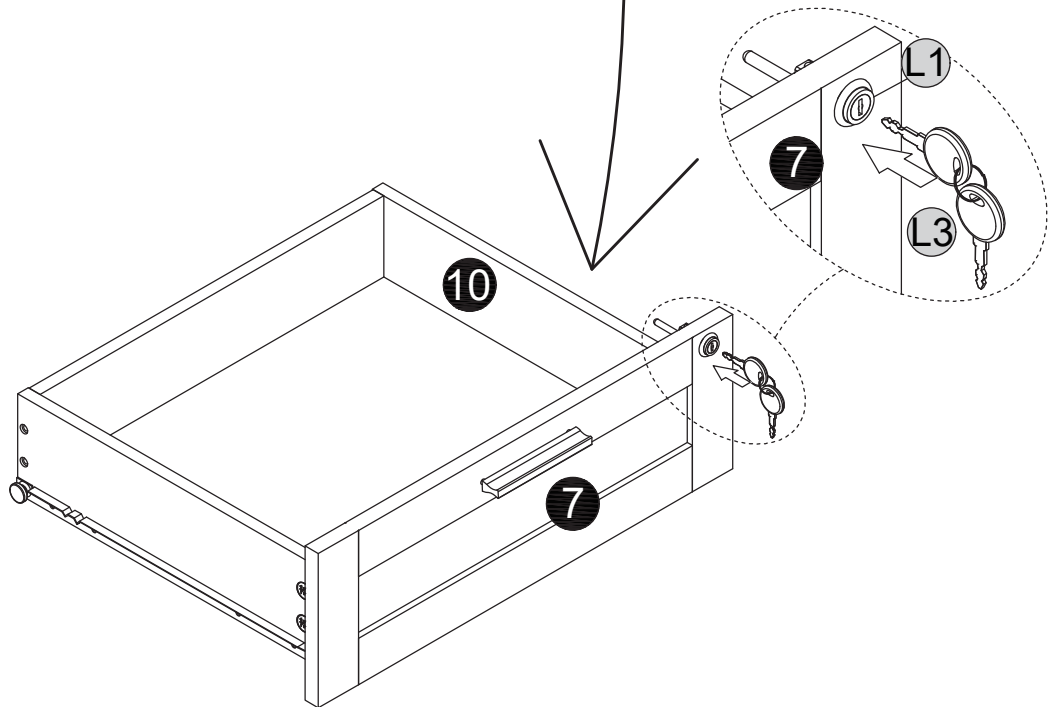
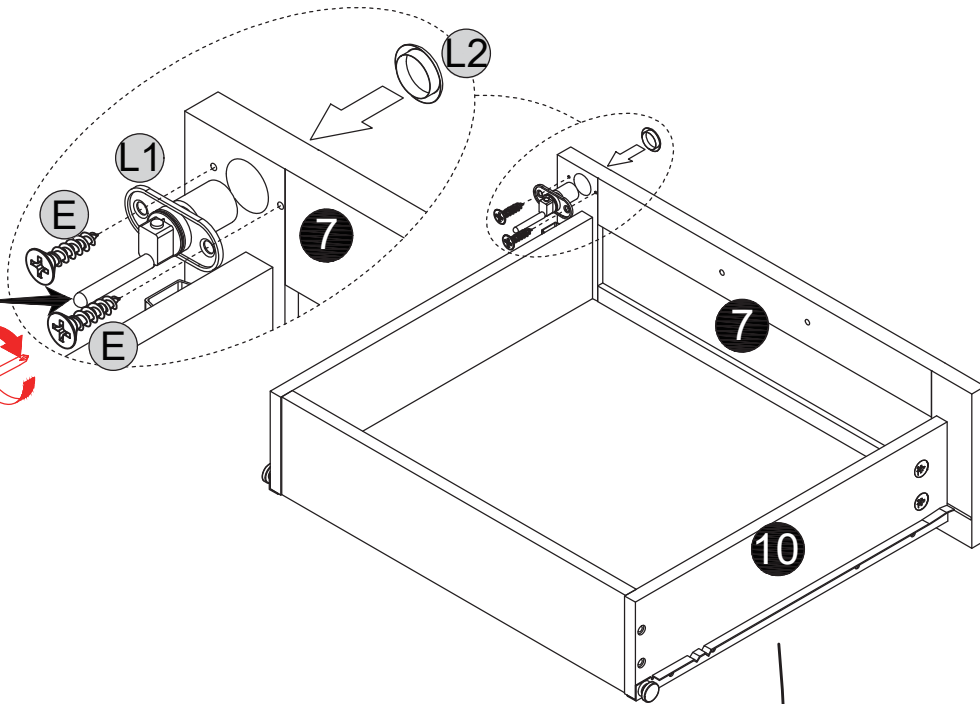
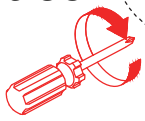


L1

L2

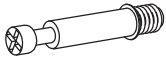
L3

Notice

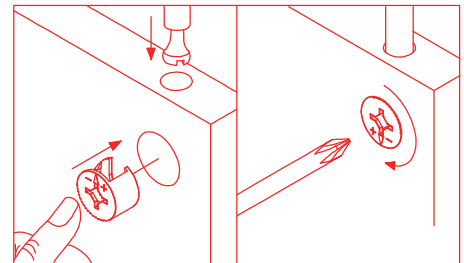
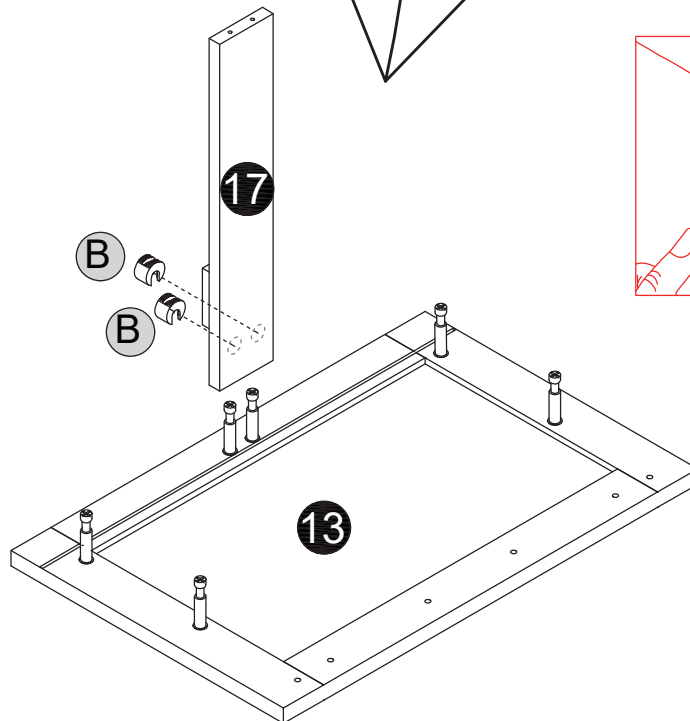
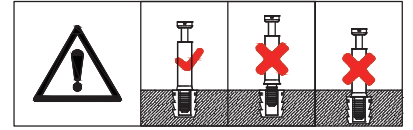
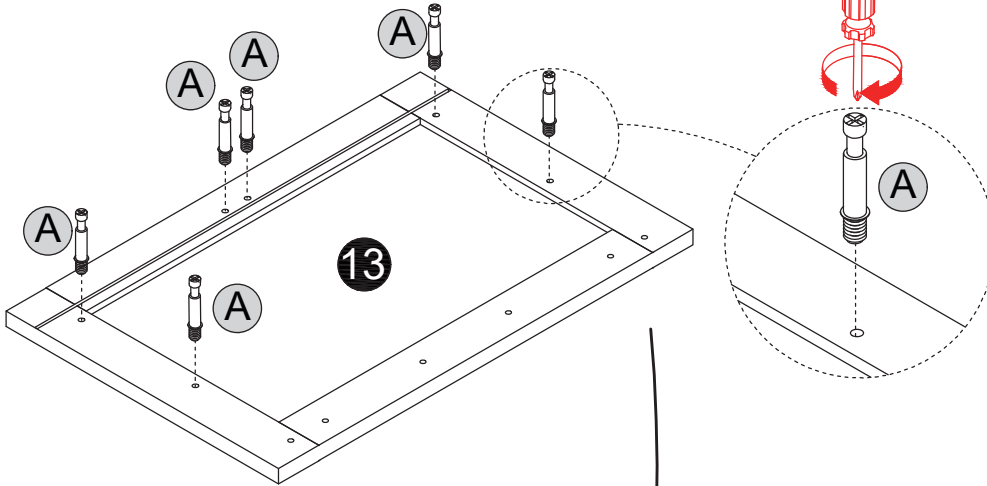


17

A x6pcs

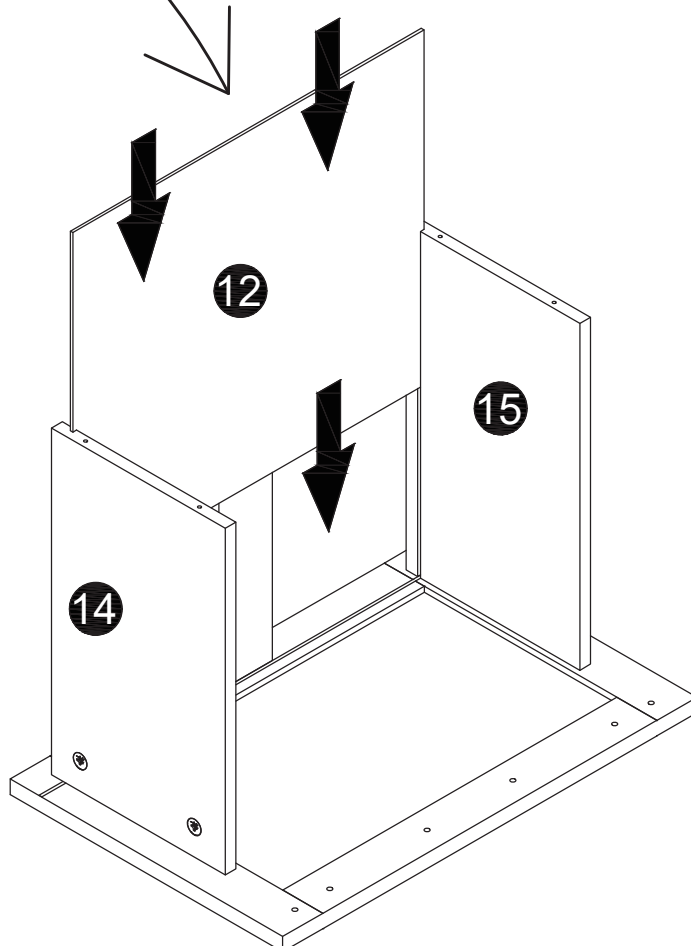
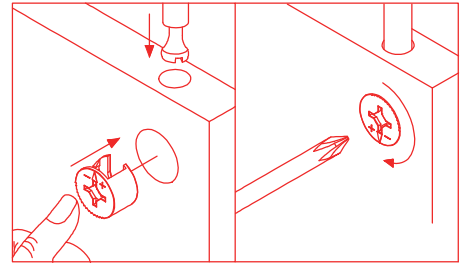
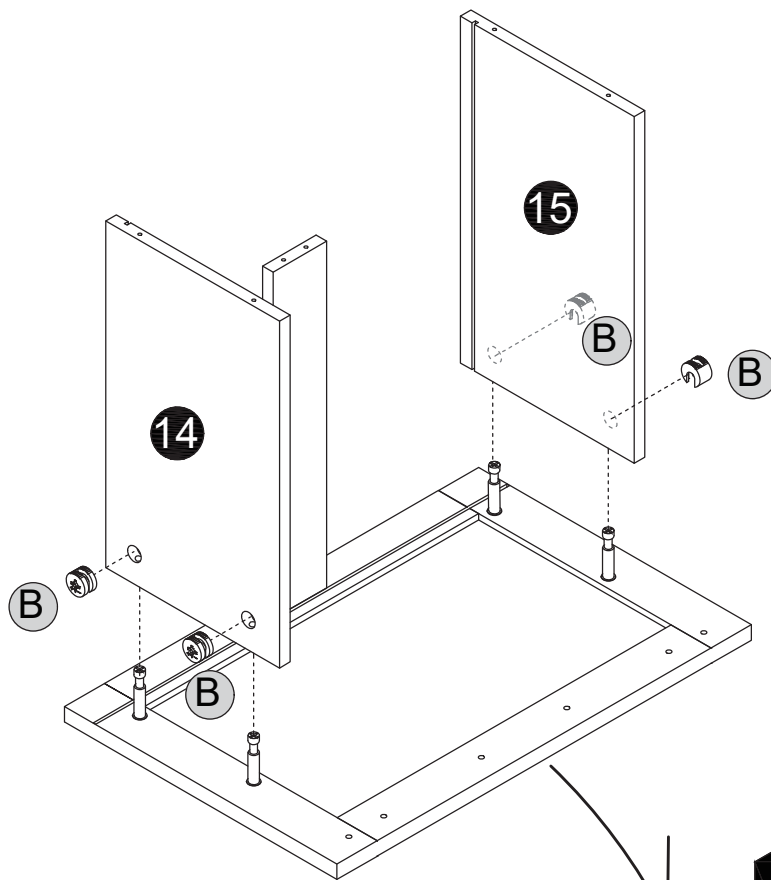


B x 2pcs



18

B x 4pcs



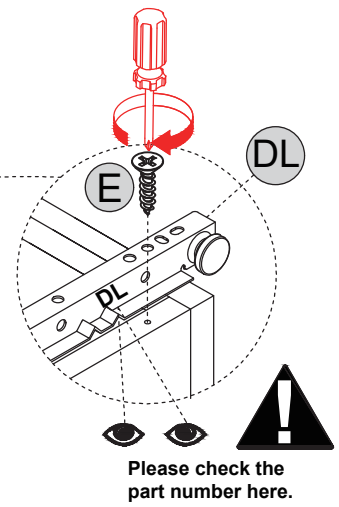
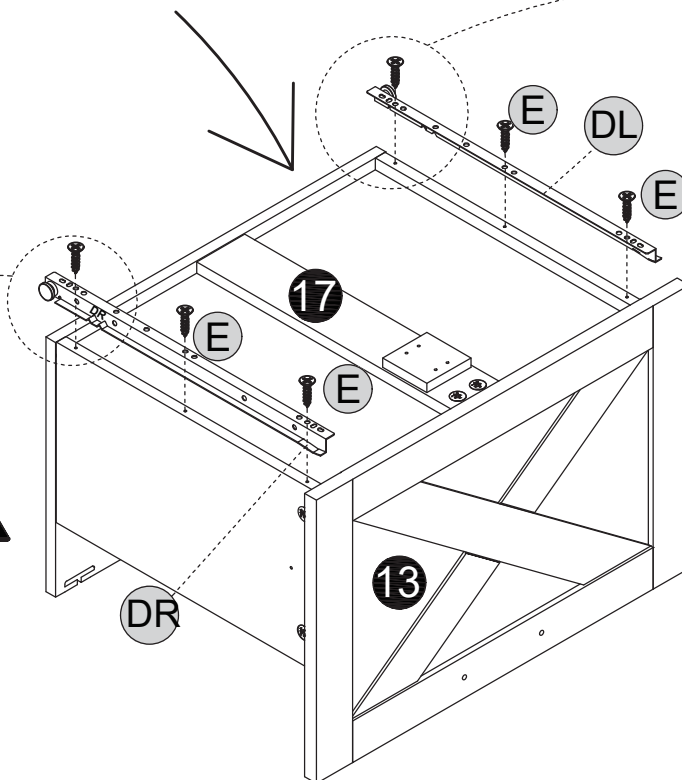
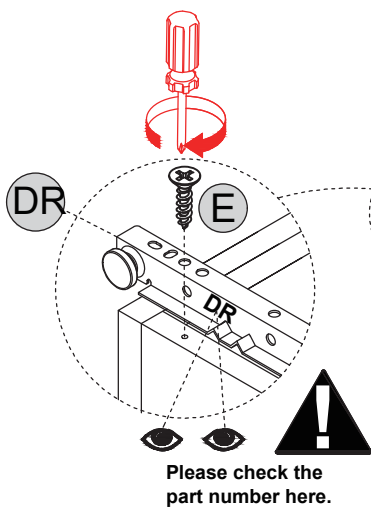
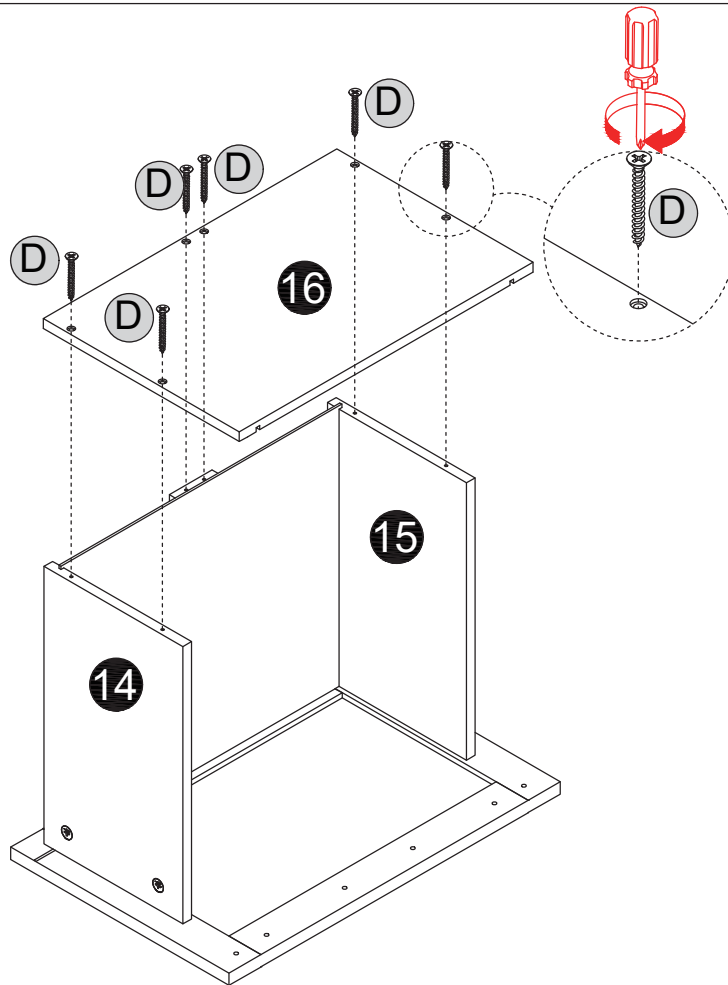
19

D x 6pcs

E x 6pcs

DL x 1pc

DR x 1pc



20

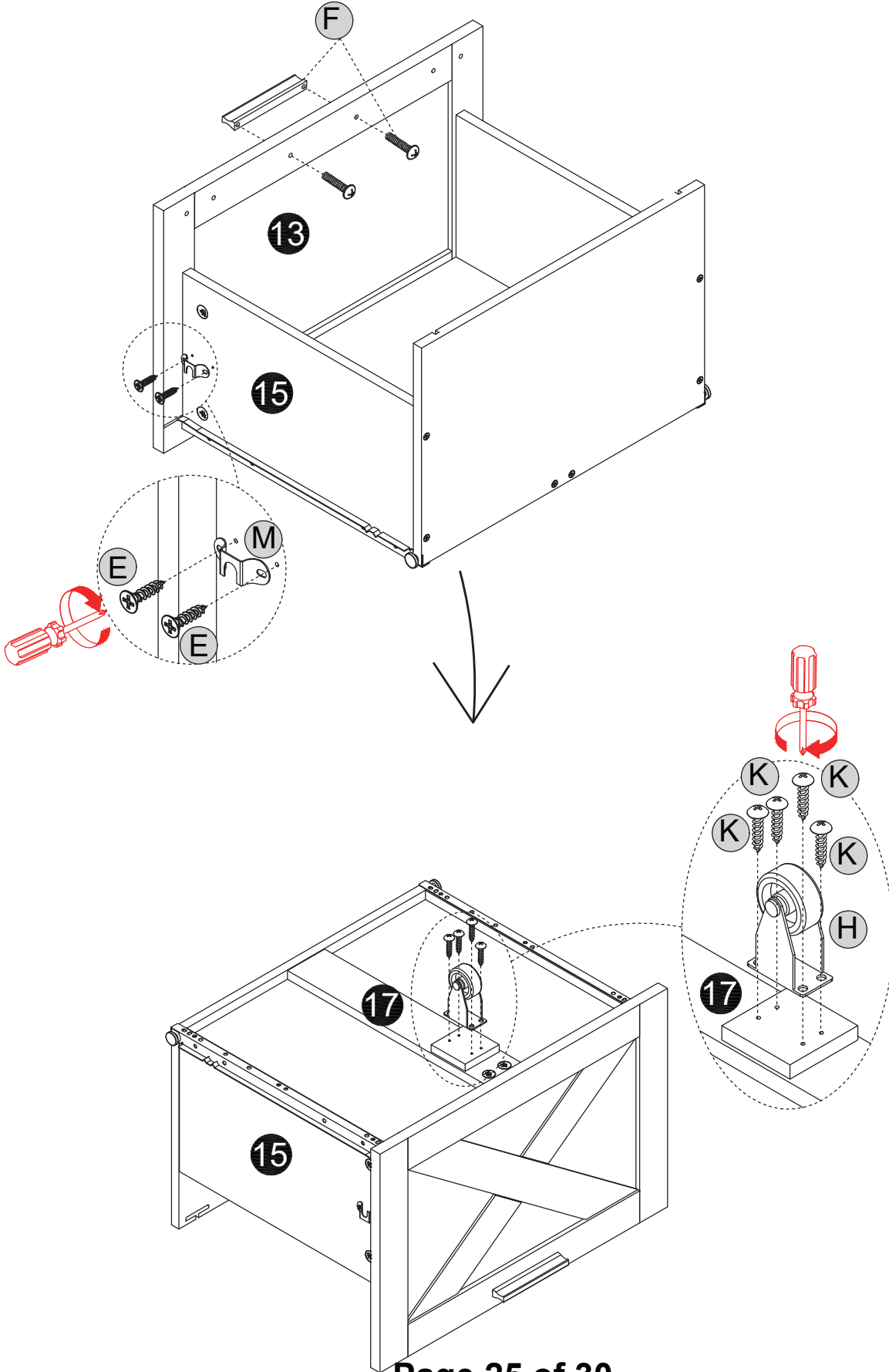
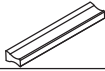
E x 2pcs

F x 1pc

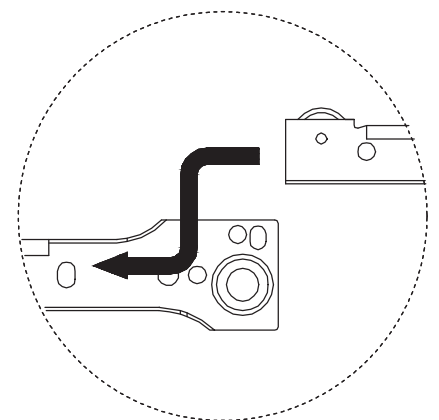
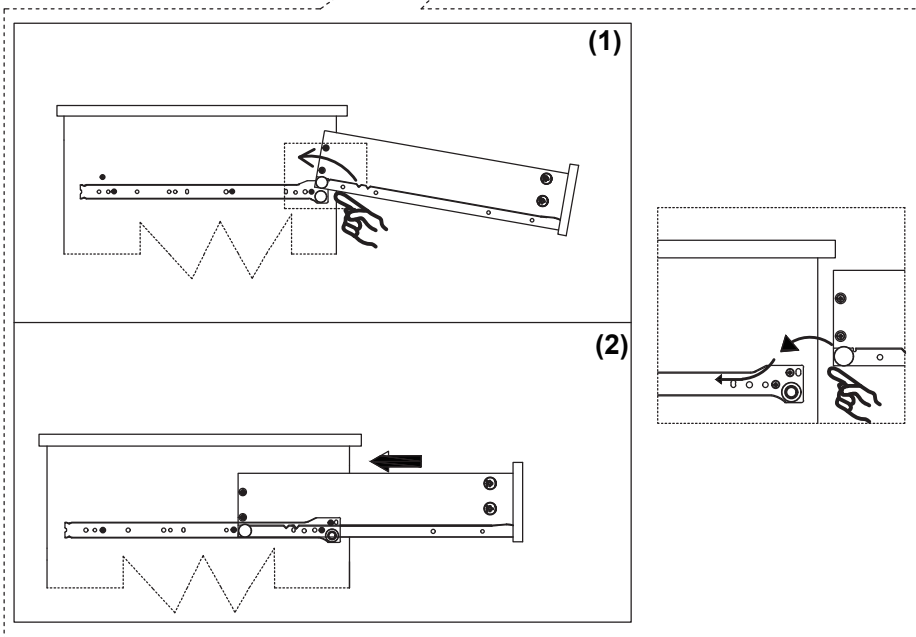
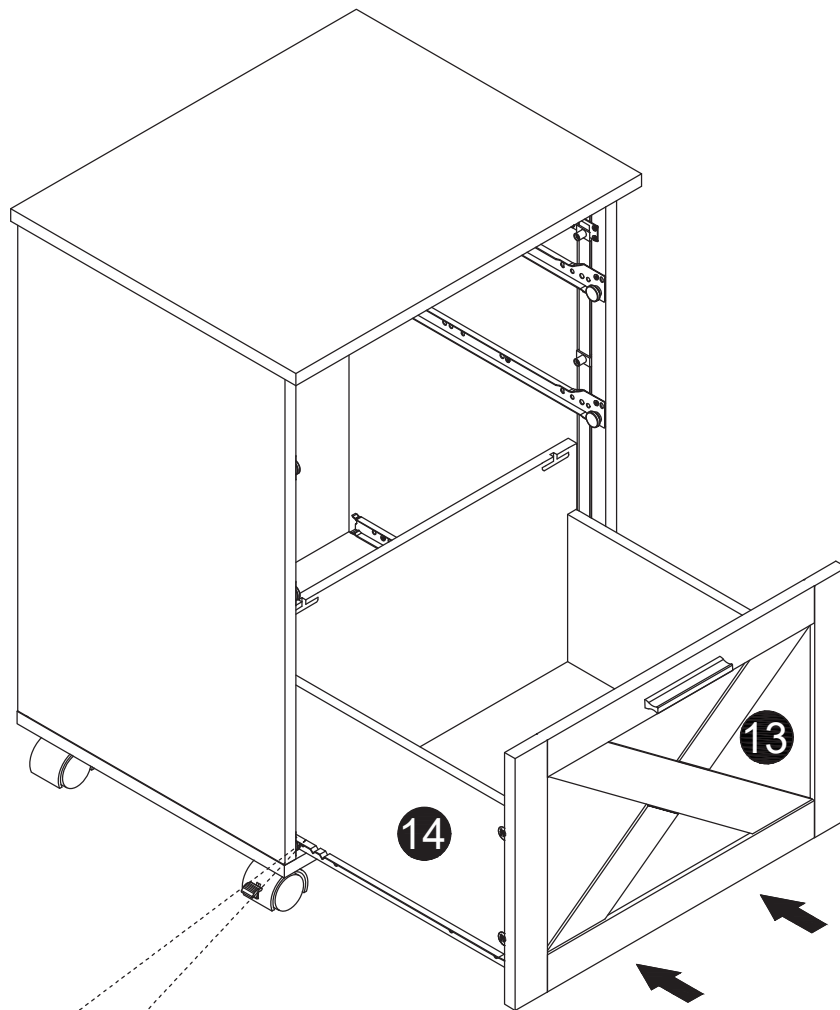
H x 1pc

K x 4pcs

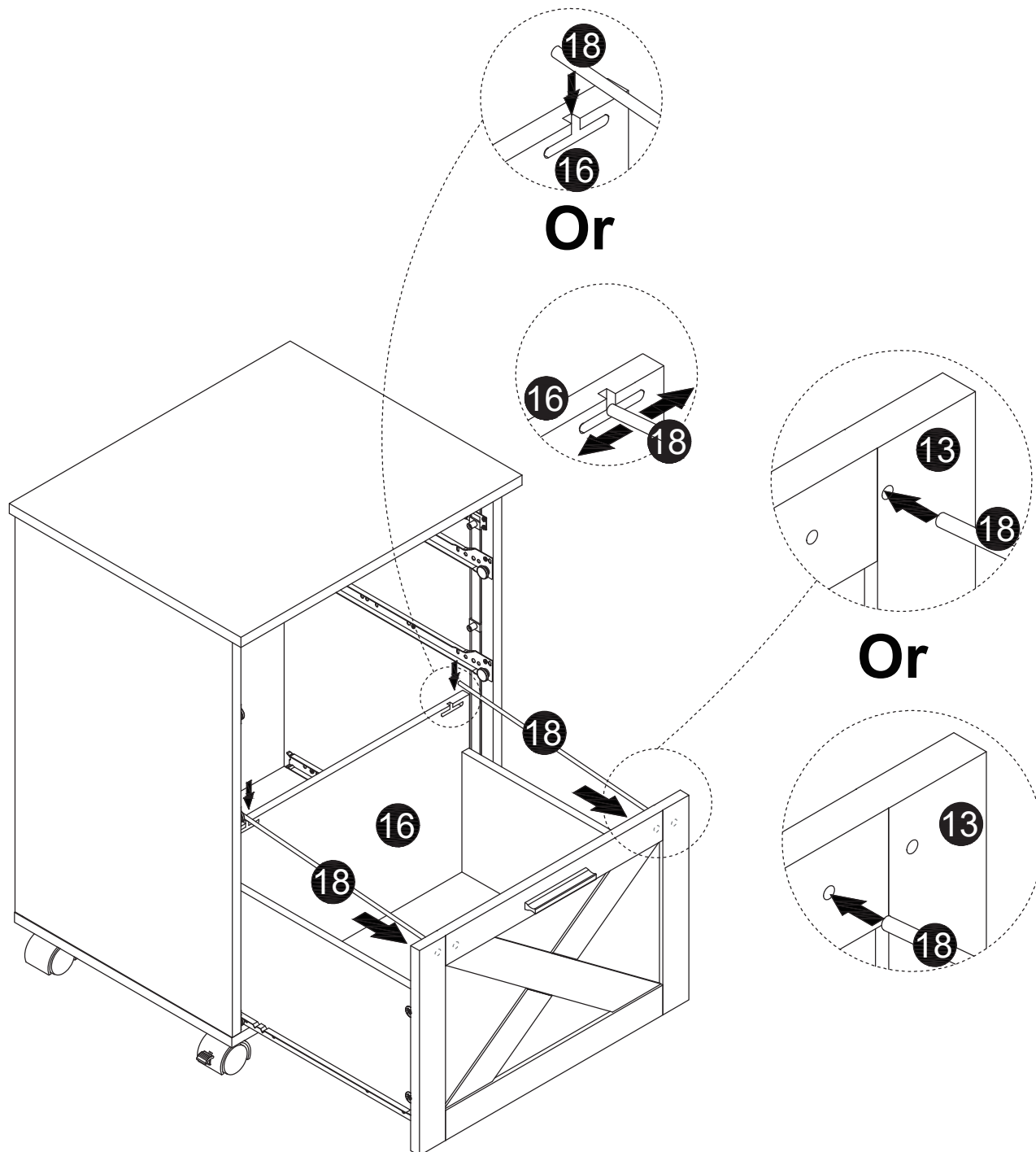
M x 1pc



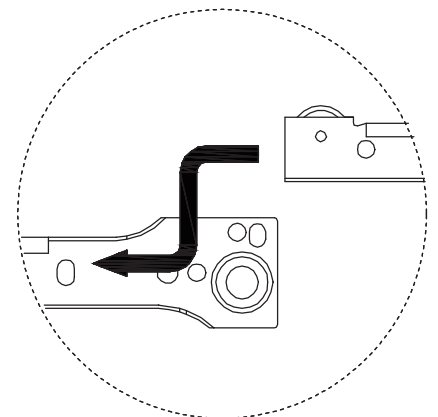
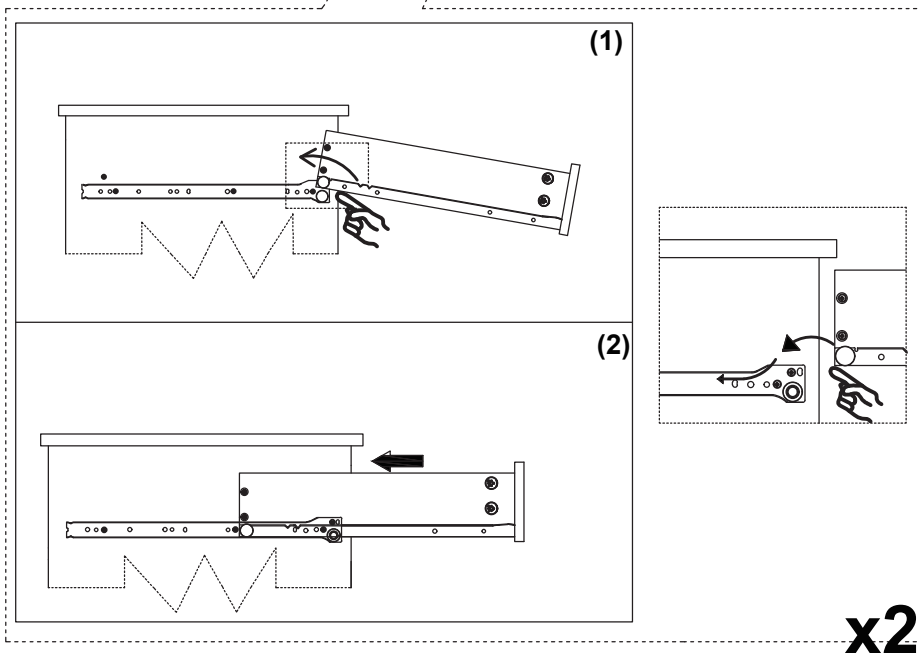
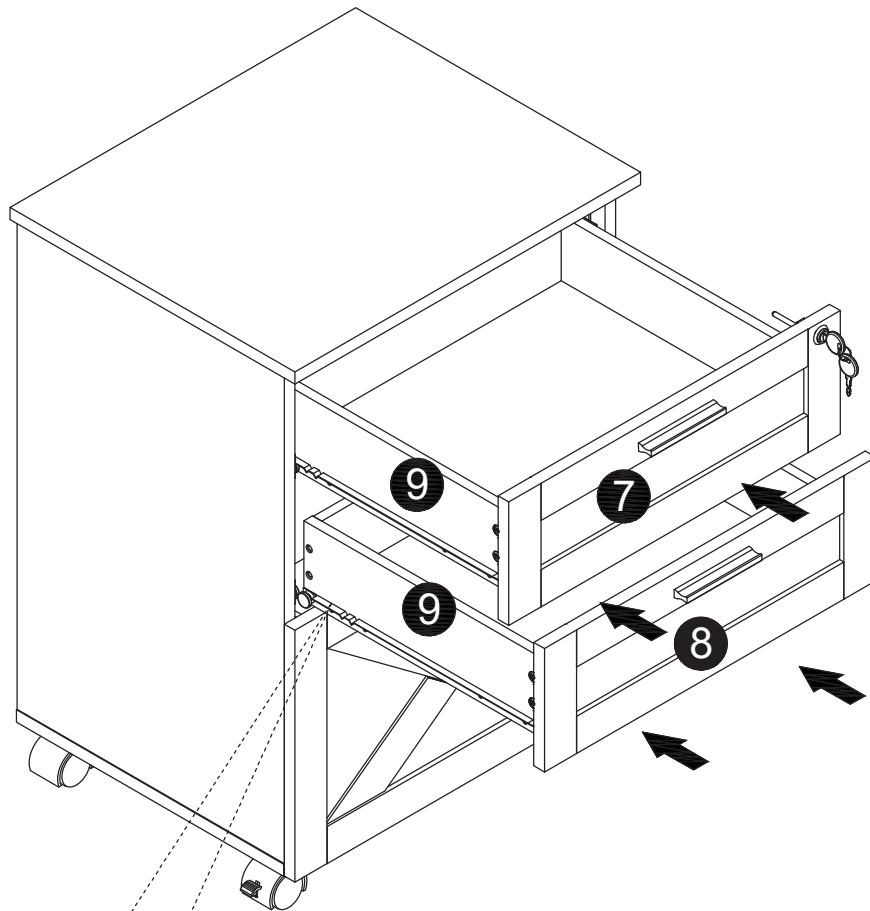
21



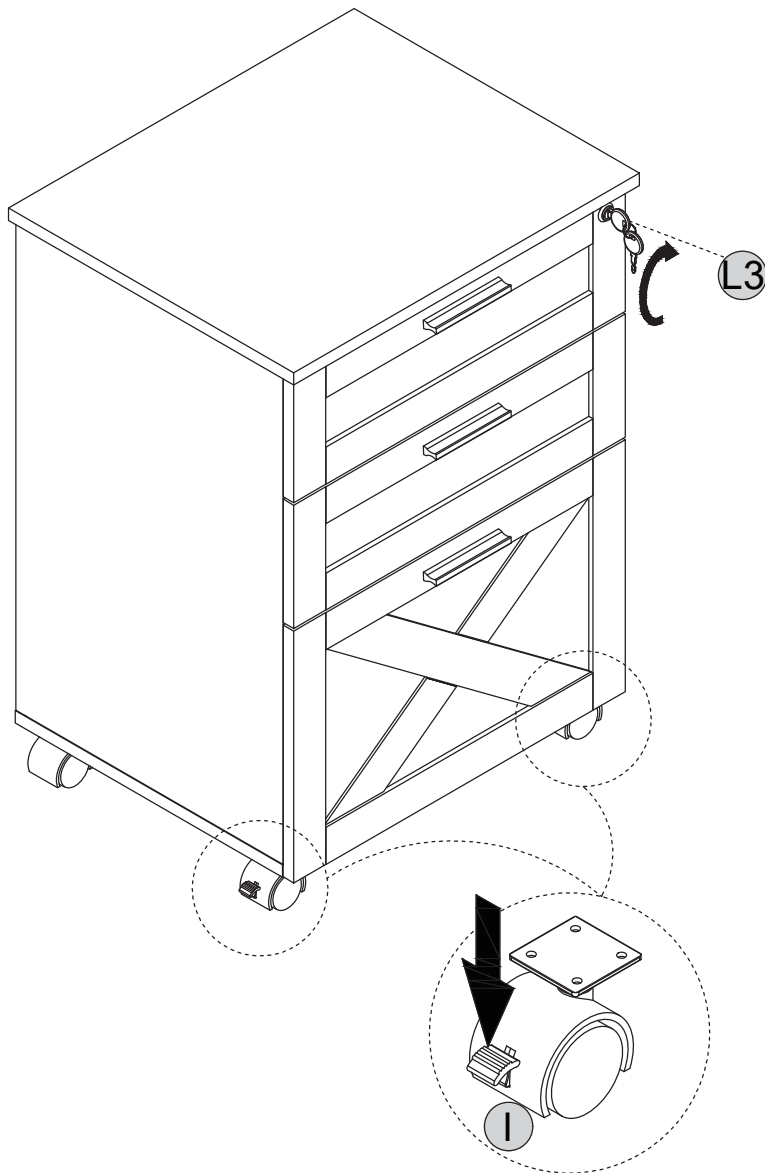
22



23



24



IMPORTANT SAFETY INFORMATION

Please carefully read the instructions and caution warnings below before assembling the product. Following this guide will ensure that you install, use and maintain the product properly.

- Please keep this installation and user manual/instructions for future reference in case you need to assemble the product.
- Do not assemble if you notice serious damage such as cracks or bends.
- During installation, please use work gloves for hand safety.
- Please assemble the unit on carpeted floor or the flat cardboard box to avoid scratching the surface or your floor while assembling on the floor.
- To assemble, please use the complimentary installation tools (Allen Wrench). Pay more attention to the direction of components at each steps.
- It is recommended that two people work together to assemble the product.
- Please do not tighten the screws up too much, just to 80% before you finish to make the installation go on successfully.

How to find us?

Customer Service

Email: support@garvee.com

GARVEE
support@garvee.com