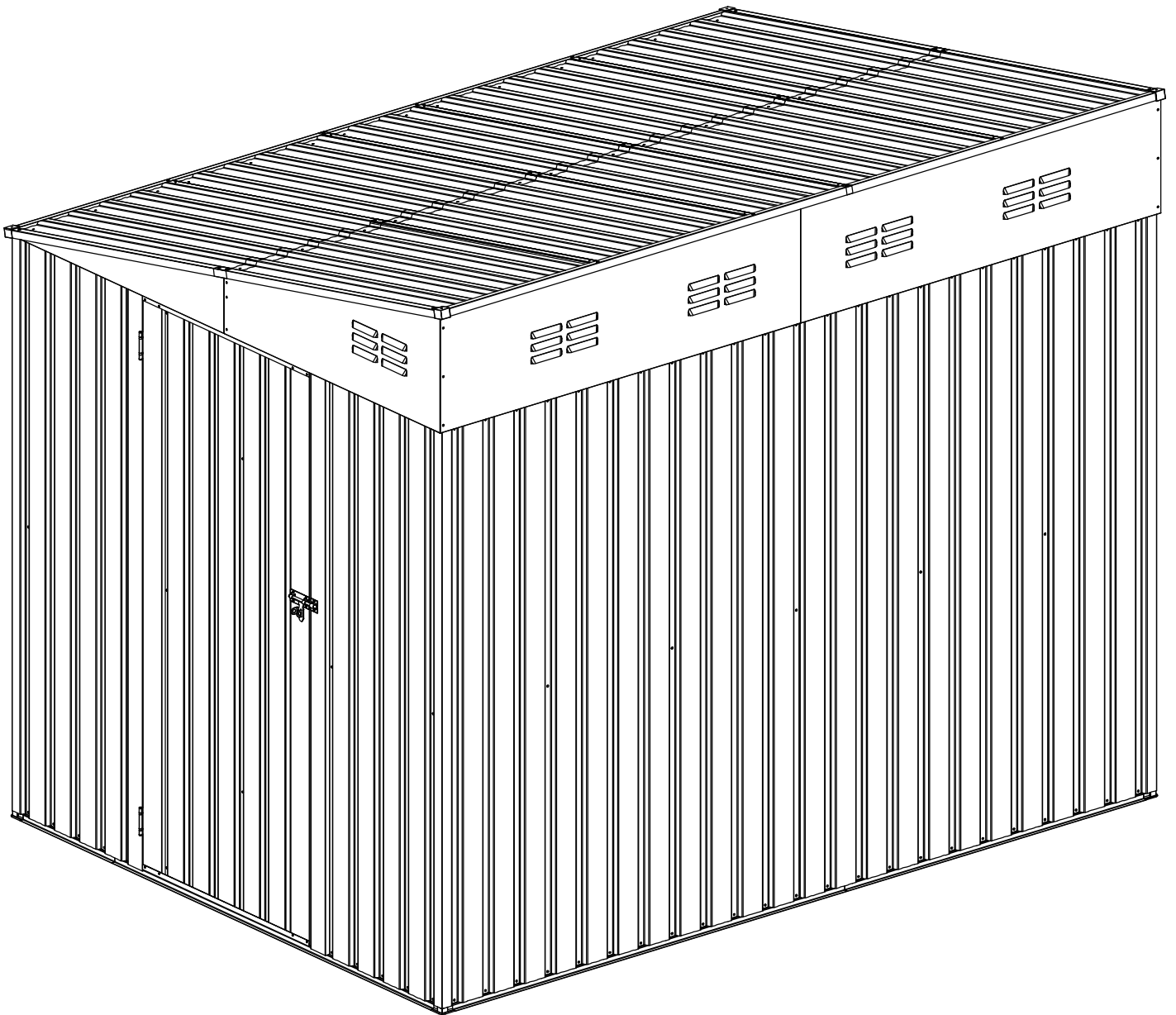


6' x 8' Metal Storage Shed Owner Manual & Assemble Guide_SS16234



Customer Service:

If you have any problem, please contact us through the online platform.

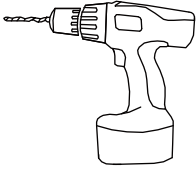
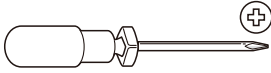


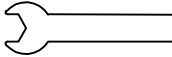
Base size

Shed Overall Base Size:71.6"(L) x 96.6"(W)

Shed Inside Base Size:70.0"(L) x 96.2"(W)

The product comes in 2 packages, pls install after receiving all packages.

Please prepare below tools before installation. (Not Included)

| | | |
|-----------------------------------------------------------------------------------------------------------|-----------------------------------------------------------------------------------------------------------|----------------------------------------------------------------------------------------------------|
|  Electric Screwdriver |  + Manual Screwdriver |  Ladder |
| Package included Tools |  Gloves x 1Pair |  Spanner x 1 |

ATTENTION

Care **MUST** be taken when handling various pieces of your building since many contain sharp edges.

Do NOT attempt to assemble your building before double checking that you have all parts indicated in the parts lists. Any building left partially assembled may be seriously damaged by even light winds.

Do NOT attempt to assemble your building on a windy day, the large panels can catch the wind like a “sail”, making construction difficult and unsafe. **Watch the weather closely.** Keep children and pets away from the worksite during construction and until the building is completely assembled. This will help avoid distractions and any accidents which may occur. Never concentrate your weight on the roof of the building.

Before assembling any parts, your base should be constructed and an anchoring system should be ready to use. Your building must be anchored to prevent wind damage.

ASSEMBLY

The best location is a level area with good drainage.

Allow enough space outside the building to be able to access the roof with a ladder.

USE TEAMWORK: Two or more people are required to assemble your building.

CARE & MAINTENANCE

Do NOT use power washing to clean your shed.

Combustibles and corrosives must be stored in air tight containers designed for chemical and/or combustible storage.

Rust Protection Precautions

Avoid nicking or scraping the coating surface, inside and out.

PLEASE KEEP THIS INSTRUCTION FOR FUTURE REFERENCE.

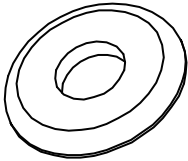
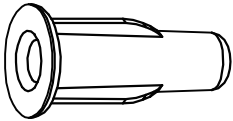
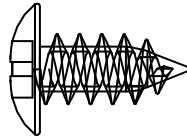
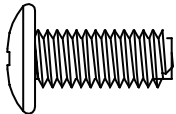
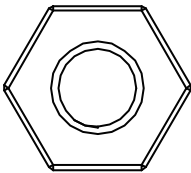
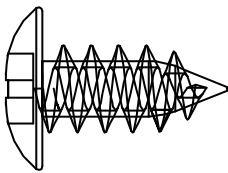
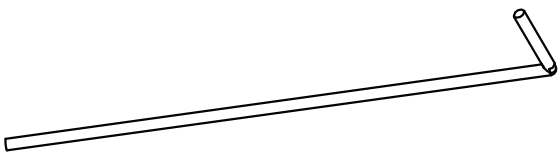
HARDWARE LIST

For missing or damaged part contact customer service. **Do NOT** return to store


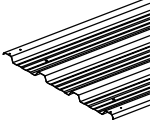

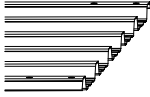
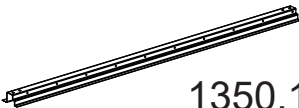
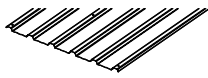


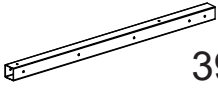
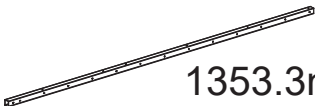
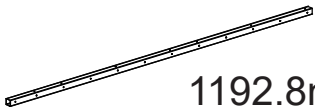
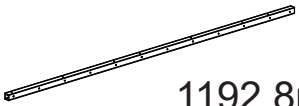
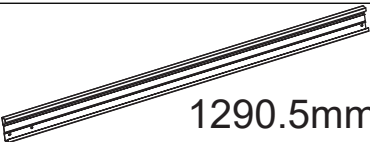


Pls note: All hardware pack is placed in box B.

| Key No. | Part No. | Qty. | List ✓ |
|---------|----------|------|--------|
| 1 | F7 | 275 | |
| 2 | F8 | 34 | |
| 3 | S4 | 324 | |
| 4 | S6 | 70 | |
| 5 | S7 | 64 | |
| 6 | S8 | 6 | |
| 7 | S9 | 4 | |

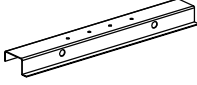
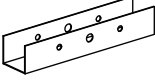




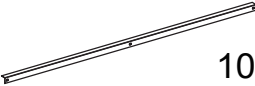




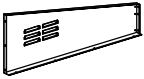




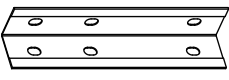


Hardware Views by Key No.


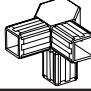
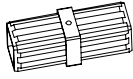

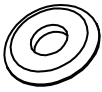
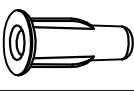
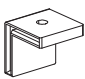
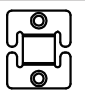
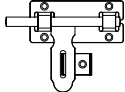
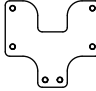
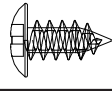
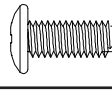

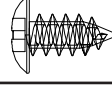

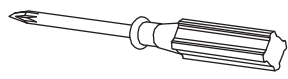
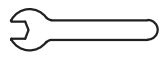

| | | | | | | | |
|---|-------------------------------------------------------------------------------------|---|-------------------------------------------------------------------------------------|---|--------------------------------------------------------------------------------------|---|---------------------------------------------------------------------------------------|
| 1 |  | 2 |  | 3 |  | 4 |  |
| | F7 | | F8 | | S4 | | S6 |
| 5 |  | 6 |  | 7 |  | | |
| | S7 | | S8 | | S9 | | |

Box_A

| PART | NO. | QTY. | PART | NO. | QTY. |
|---------------------------------------------------------------------------------------------|-----|------|-------------------------------------------------------------------------------------------|-----|------|
|  387.1mm | 1L | 2 |  958mm | W12 | 2 |
|  1350.1mm | 1R | 2 |  958mm | W15 | 8 |
|  1350.1mm | 2R | 2 |  1653mm | M1 | 1 |
|  1029.1mm | 2L | 2 | | | |
|  1610mm | 5 | 4 | | | |
|  390.3mm | 6L | 2 | | | |
|  1353.3mm | 6R | 2 | | | |
|  1192.8mm | 7F | 2 | | | |
|  1192.8mm | 7B | 2 | | | |
|  1290.5mm | 25 | 1 | | | |
|  1290.5mm | 26 | 1 | | | |
|  1660mm | W5 | 6 | | | |

Box_B

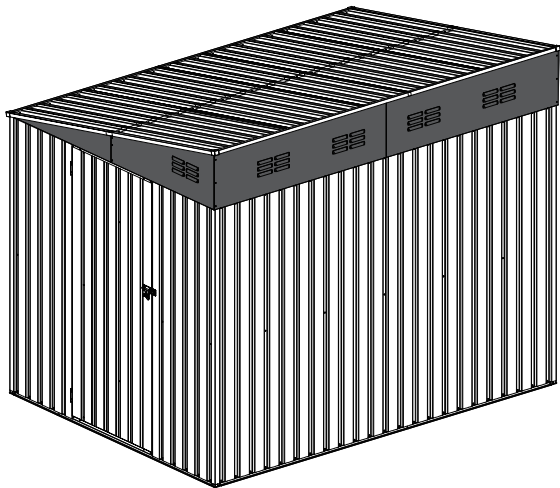
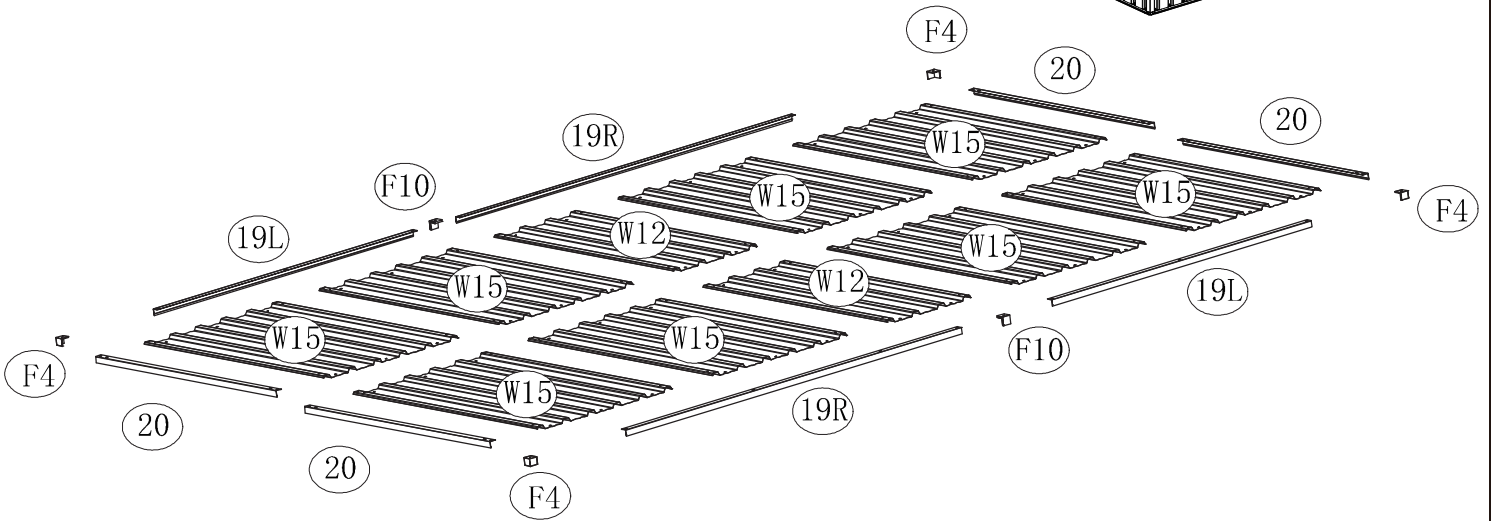
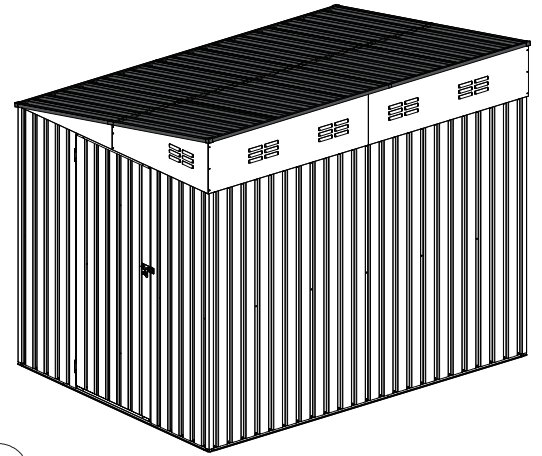
| PART | NO. | QTY. |
|--------------------------------------------------------------------------------------------|-----|------|
|  200mm | 4B | 4 |
|  100mm | 10 | 4 |
|  982mm | 15 | 2 |
|  1655mm | 16 | 1 |
|  1660mm | 17L | 1 |
|  1660mm | 17R | 1 |
|  1074mm | 19L | 2 |
|  1397mm | 19R | 2 |
|  1660mm | W7 | 4 |
|  966mm | 20 | 4 |
|  705mm | 21 | 2 |
|  21L | 21L | 1 |
|  21R | 21R | 1 |
|  1655mm | 22 | 1 |
|  24L | 24L | 1 |
|  24R | 24R | 1 |
|  164mm | 27 | 2 |
|  22L | 22L | 1 |
|  22R | 22R | 1 |

| PART | NO. | QTY. |
|---------------------------------------------------------------------------------------------|-----|------|
|  C | C | 4 |
|  F | F | 4 |
|  I | I | 4 |
|  F4 | F4 | 4 |
|  F7 | F7 | 275 |
|  F8 | F8 | 34 |
|  F10 | F10 | 2 |
|  S1 | S1 | 1 |
|  S2 | S2 | 1 |
|  S3 | S3 | 1 |
|  S4 | S4 | 324 |
|  S6 | S6 | 70 |
|  S7 | S7 | 64 |
|  S8 | S8 | 6 |
|  S9 | S9 | 4 |
|  S12 | S12 | 1 |
|  S15 | S15 | 1 |
|  1660mm | W5 | 8 |

Part List

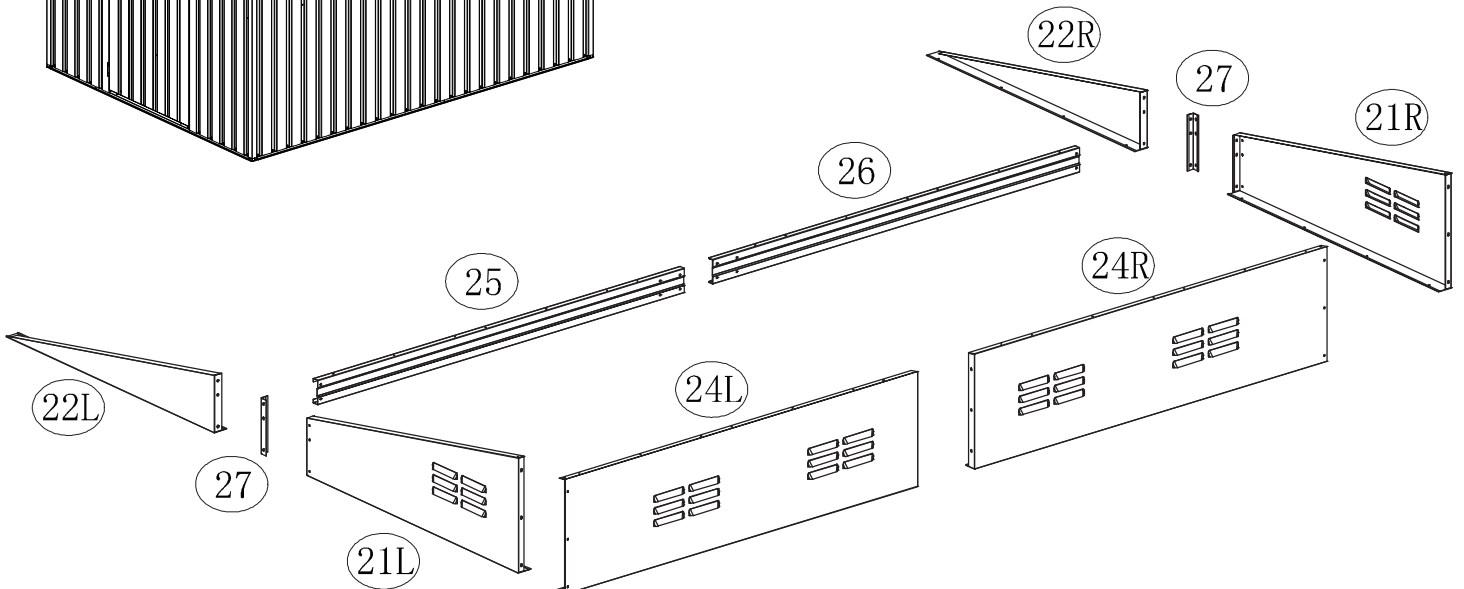
Shed top panels

| NO. | F4 | 19L | 19R | W12 | W15 | 20 | F10 |
|------|----|-----|-----|-----|-----|----|-----|
| QTY. | 4 | 2 | 2 | 2 | 8 | 4 | 2 |



Shed top frame

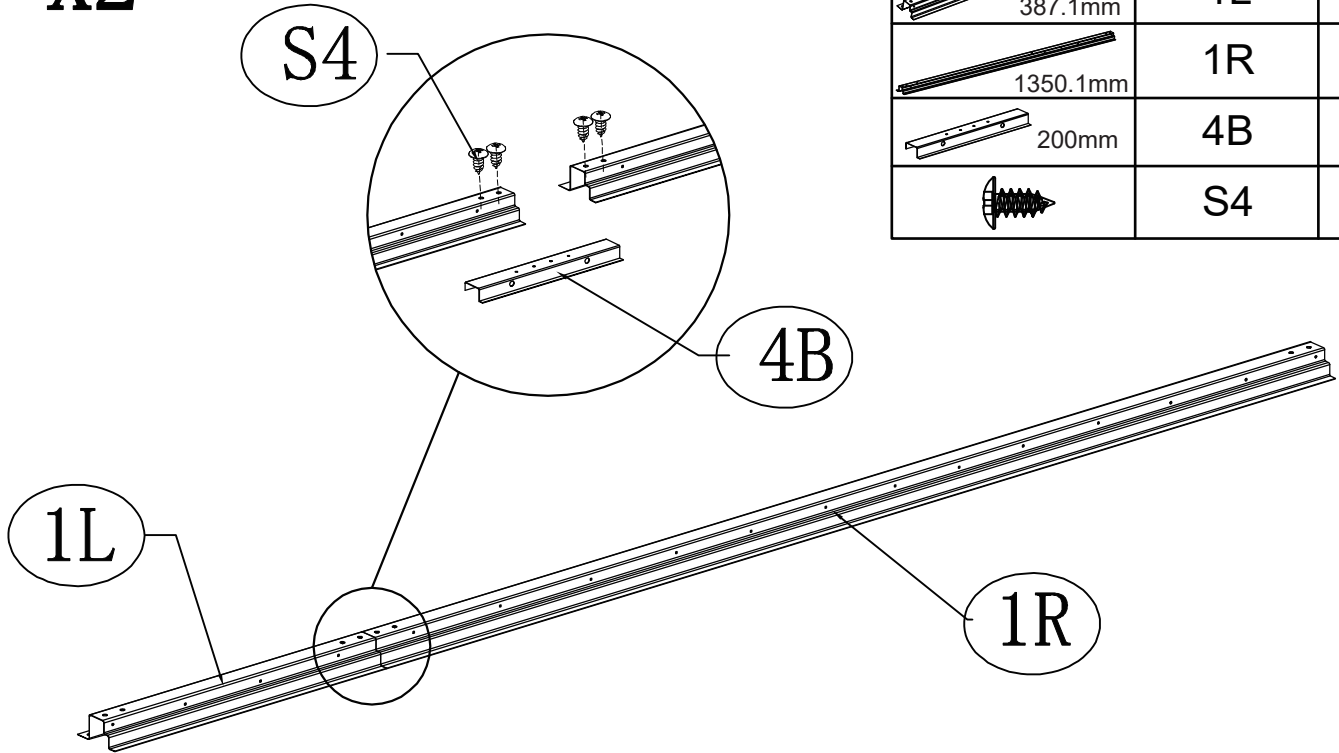
| | | | | | |
|------|-----|-----|-----|-----|-----|
| NO. | 25 | 26 | 27 | 21L | 21R |
| QTY. | 1 | 1 | 2 | 1 | 1 |
| NO. | 22L | 22R | 24L | 24R | |
| QTY. | 1 | 1 | 1 | 1 | |



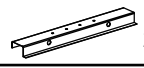



Shed Base Frame Assemble

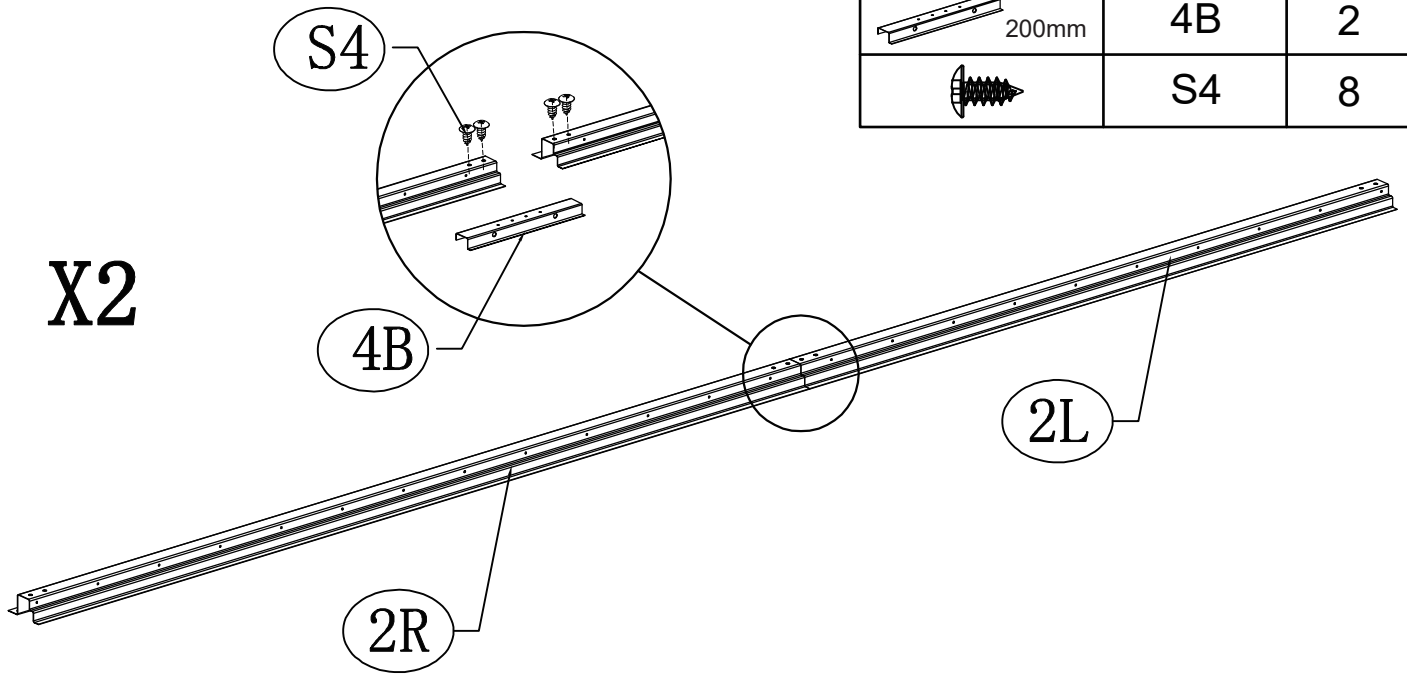
 The frame is sharp, must pay attention to the installation of gloves, to avoid scratches


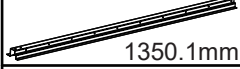
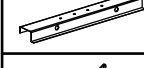

X2

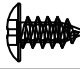



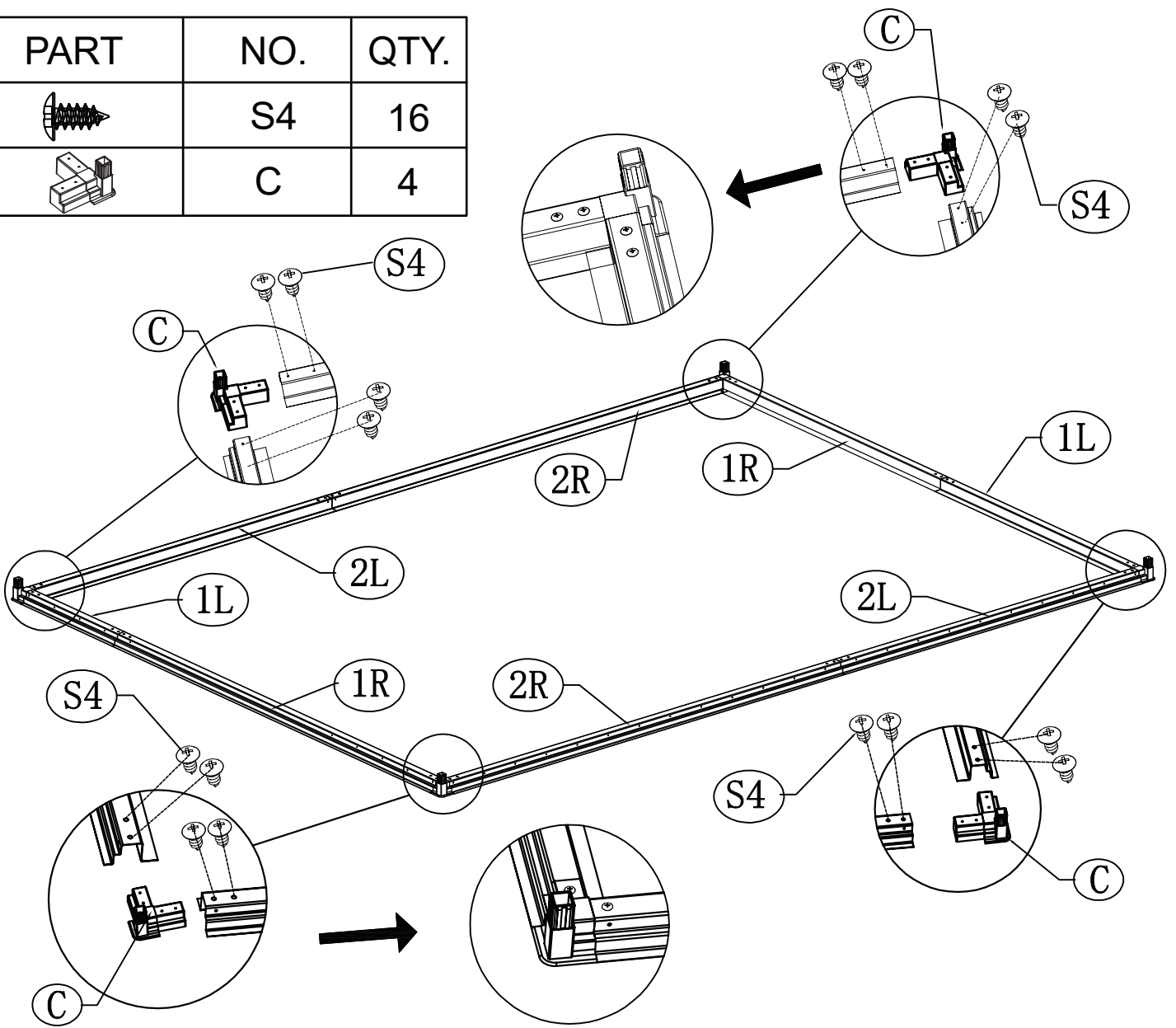
| PART | NO. | QTY. |
|---------------------------------------------------------------------------------------------|-----|------|
|  387.1mm | 1L | 2 |
|  1350.1mm | 1R | 2 |
|  200mm | 4B | 2 |
|  | S4 | 8 |

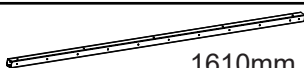
X2



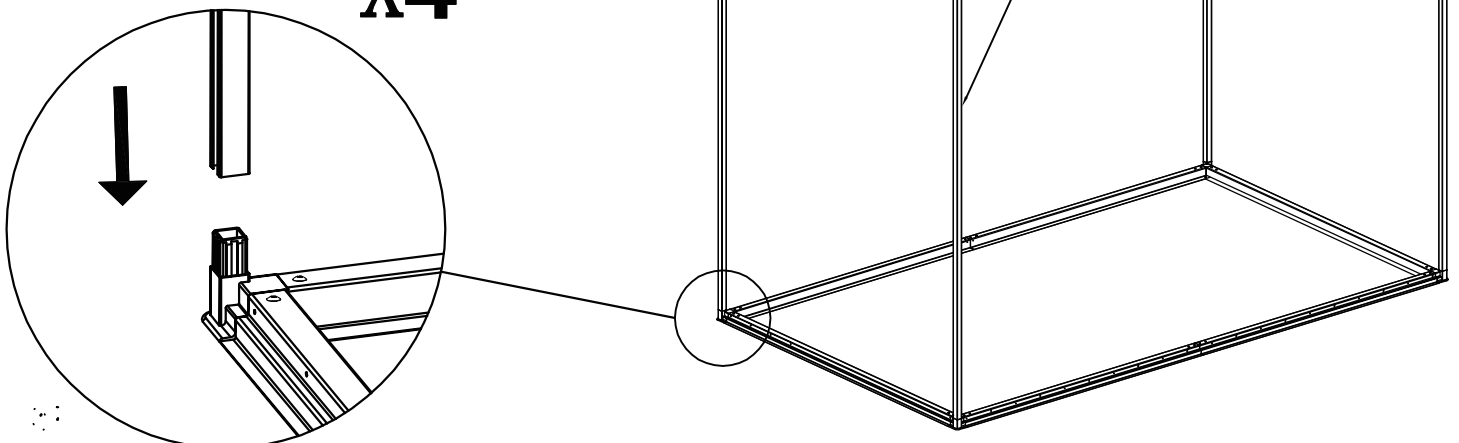
| PART | NO. | QTY. |
|-----------------------------------------------------------------------------------------------|-----|------|
|  1029.1mm | 2L | 2 |
|  1350.1mm | 2R | 2 |
|  200mm | 4B | 2 |
|  | S4 | 8 |

| PART | NO. | QTY. |
|-----------------------------------------------------------------------------------|-----|------|
|  | S4 | 16 |
|  | C | 4 |



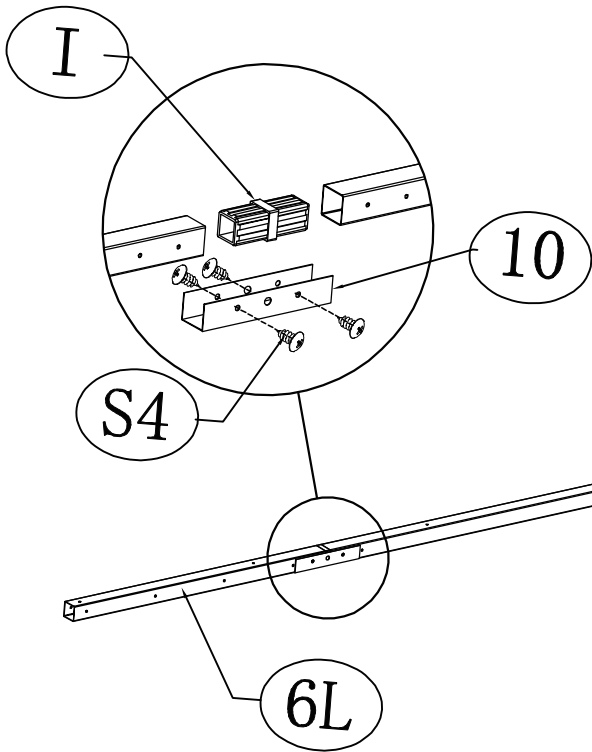
| PART | NO. | QTY. |
|-------------------------------------------------------------------------------------------|-----|------|
|  1610mm | 5 | 4 |

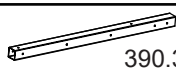
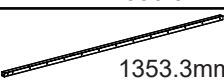
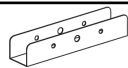

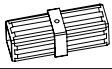
X4





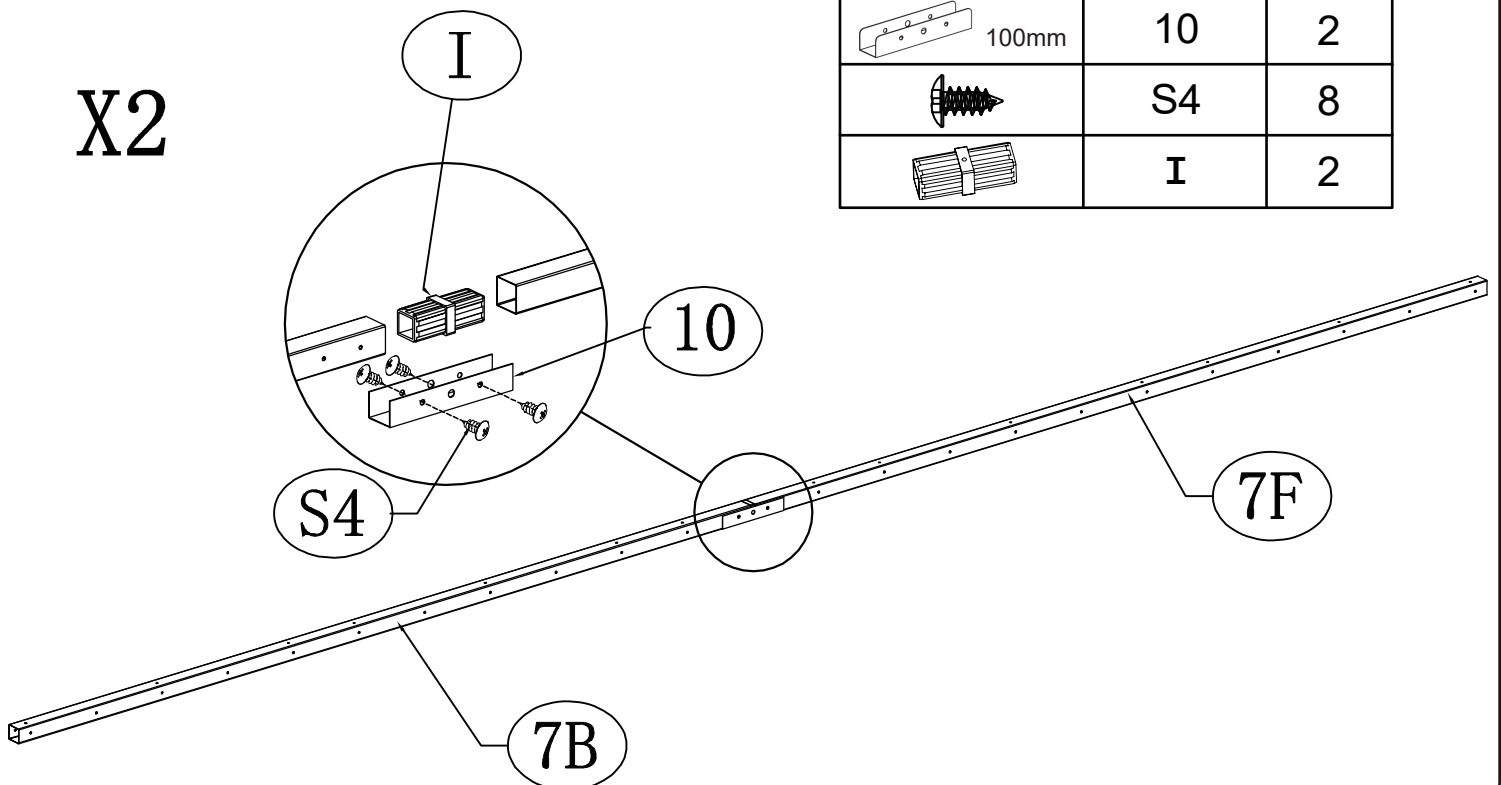
The frame is sharp, must pay attention to the installation of gloves, to avoid scratches

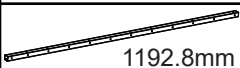

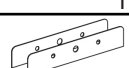

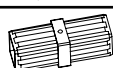


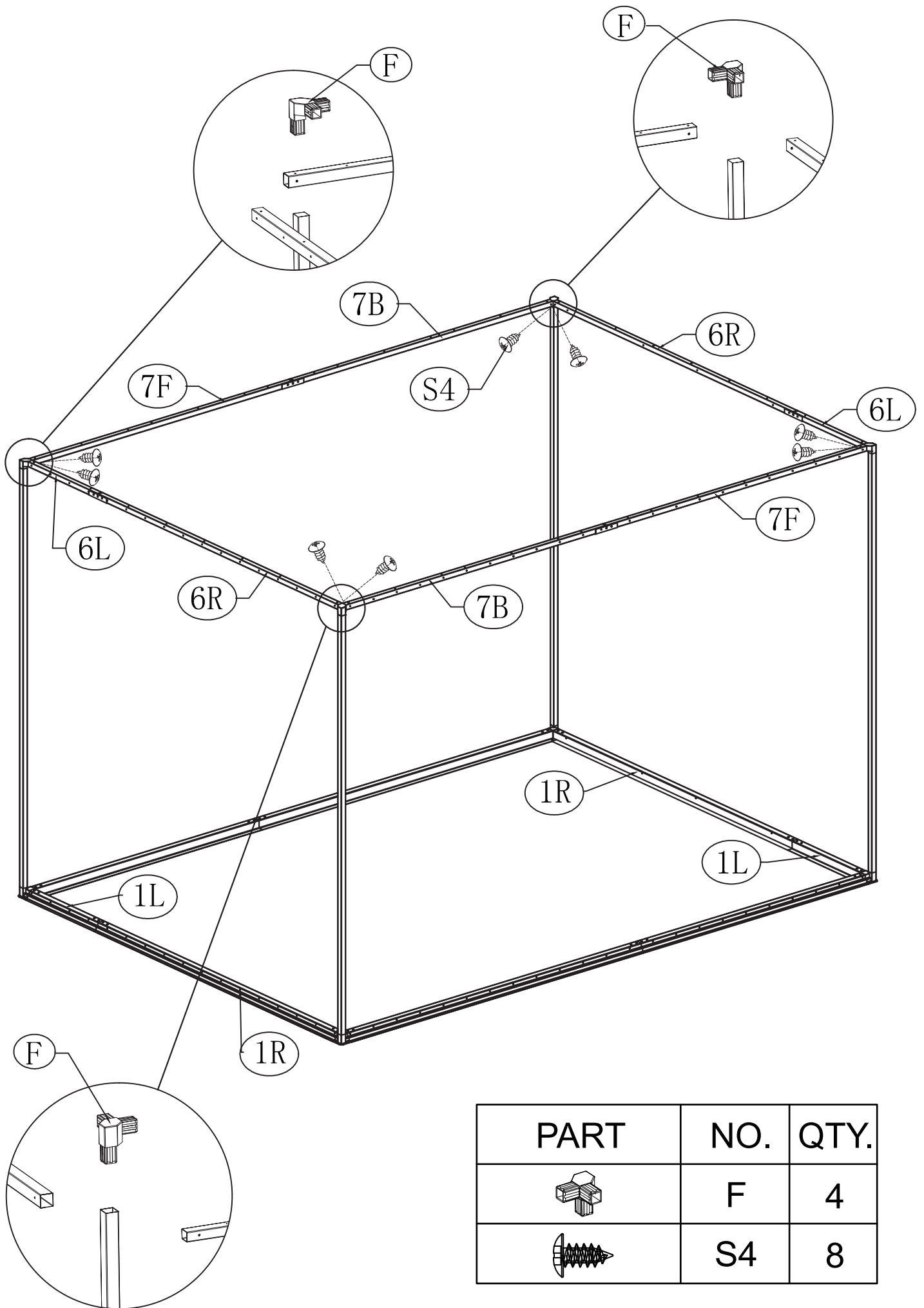
| PART | NO. | QTY. |
|---------------------------------------------------------------------------------------------|-----|------|
|  390.3mm | 6L | 2 |
|  1353.3mm | 6R | 2 |
|  100mm | 10 | 2 |
|  | S4 | 8 |
|  | I | 2 |



X2

X2






| PART | NO. | QTY. |
|-----------------------------------------------------------------------------------------------|-----|------|
|  1192.8mm | 7F | 2 |
|  1192.8mm | 7B | 2 |
|  100mm | 10 | 2 |
|  | S4 | 8 |
|  | I | 2 |



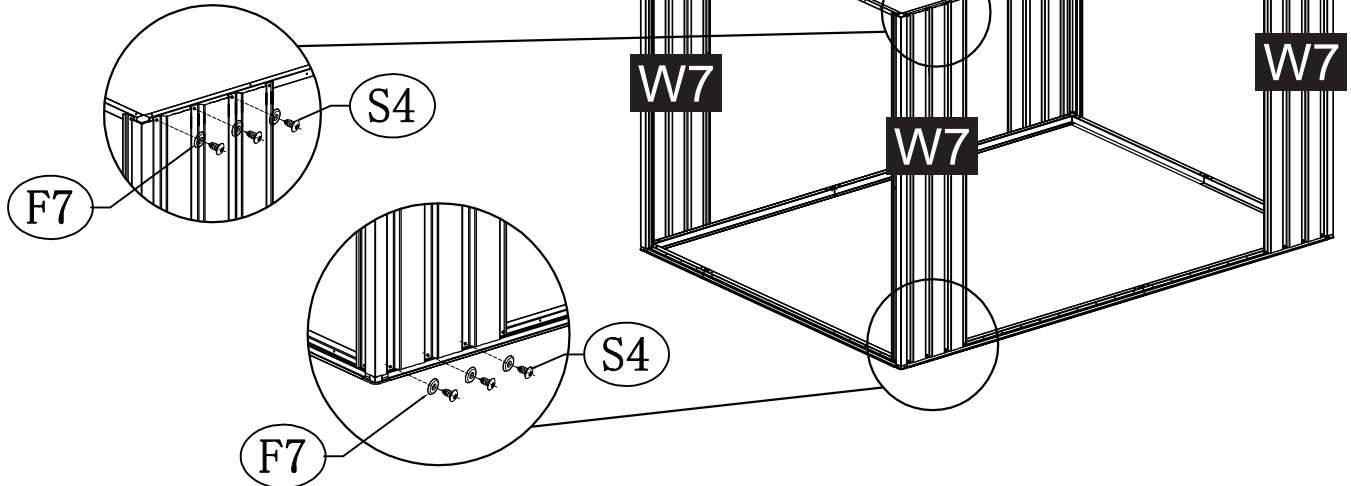
| PART | NO. | QTY. |
|--------------------------------------------------------------------------------------|-----|------|
|  | F | 4 |
|  | S4 | 8 |



Shed Side Panels Assemble




| PART | NO. | QTY. |
|-----------------------------------------------------------------------------------------|-----|------|
|  1660mm | W7 | 4 |
|  | S4 | 24 |
|  | F7 | 24 |

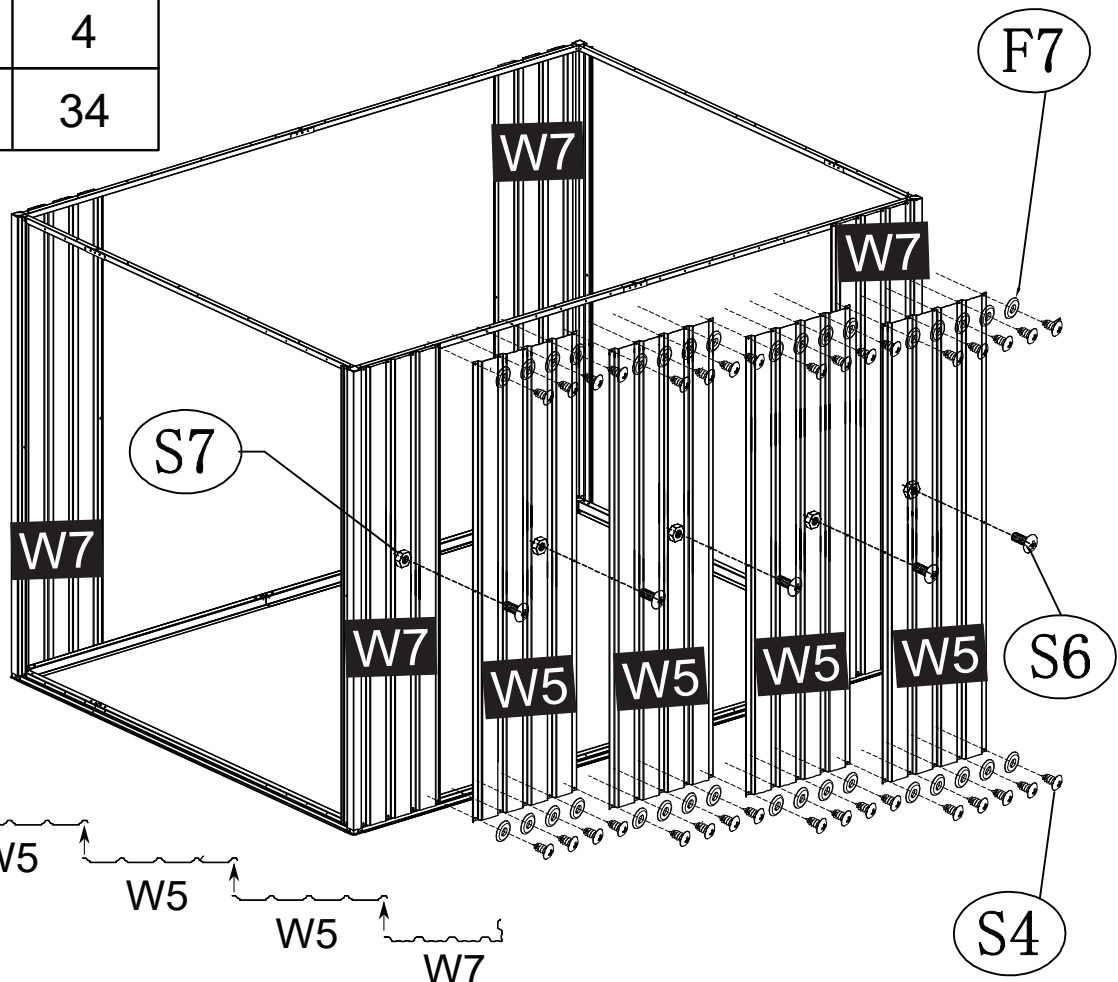



NOTE: Please team work, need more than two people together to install.



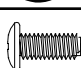
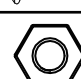


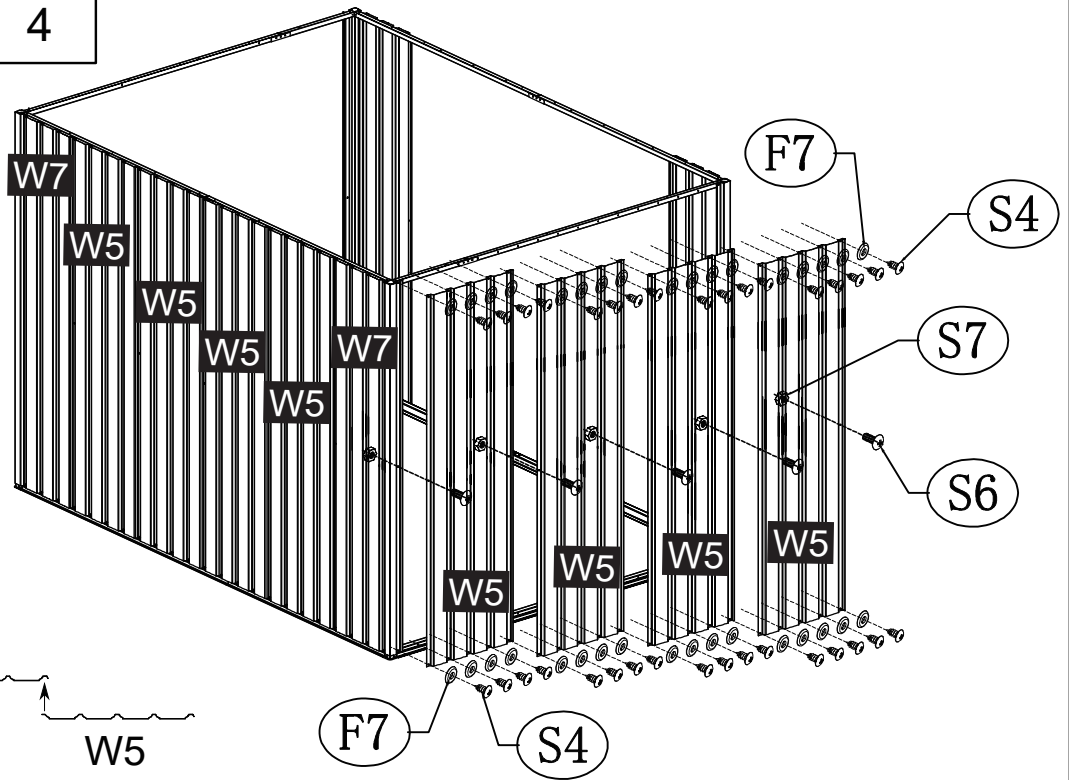
| PART | NO. | QTY. |
|-------------------------------------------------------------------------------------------|-----|------|
|  1660mm | W5 | 4 |
|  | S4 | 34 |

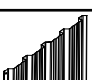
| PART | NO. | QTY. |
|------------------------------------------------------------------------------------|-----|------|
|  | F7 | 39 |
|  | S6 | 5 |
|  | S7 | 5 |



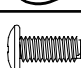
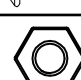


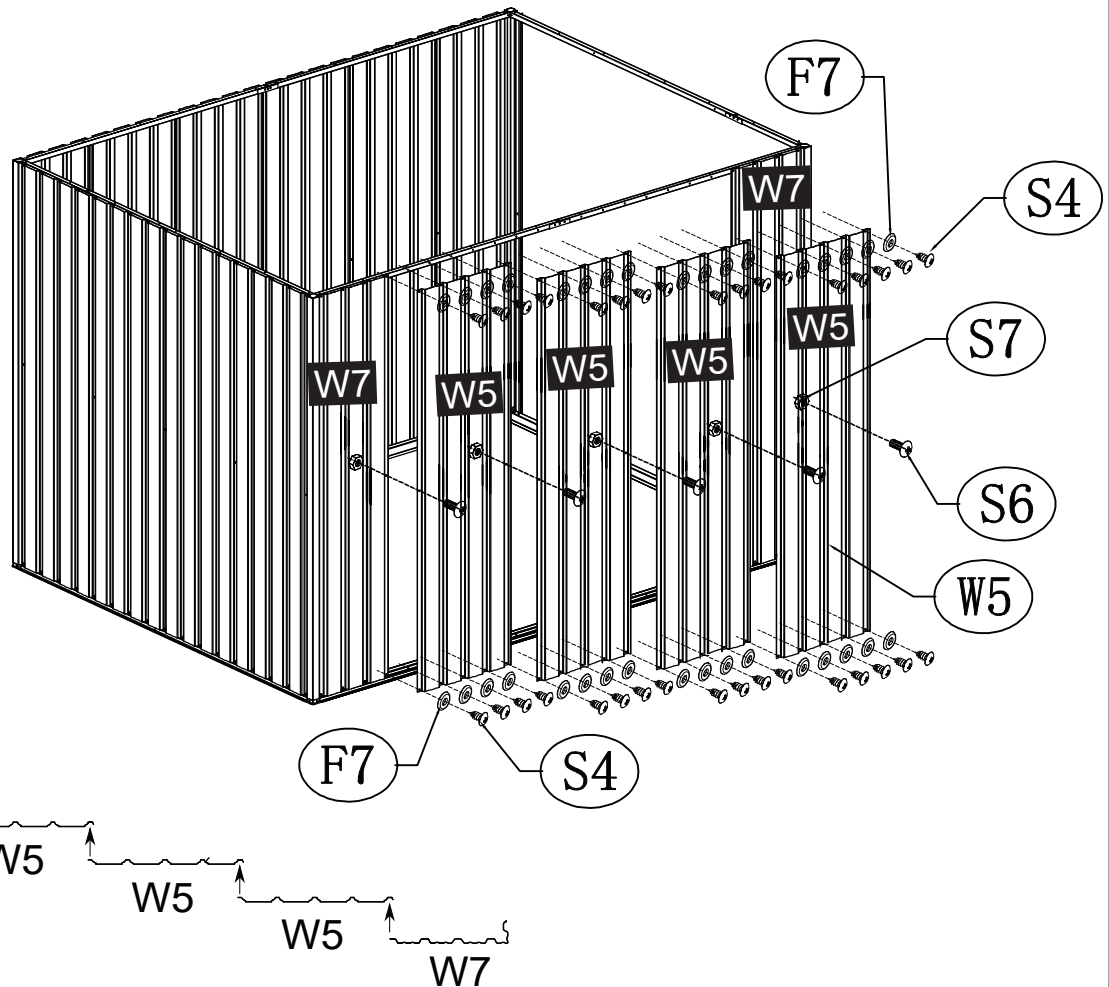
| PART | NO. | QTY. |
|-----------------------------------------------------------------------------------------|-----|------|
|  1660mm | W5 | 4 |

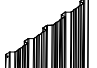
| PART | NO. | QTY. |
|----------------------------------------------------------------------------------|-----|------|
|  | S4 | 34 |
|  | F7 | 39 |
|  | S6 | 5 |
|  | S7 | 5 |

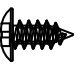

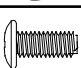



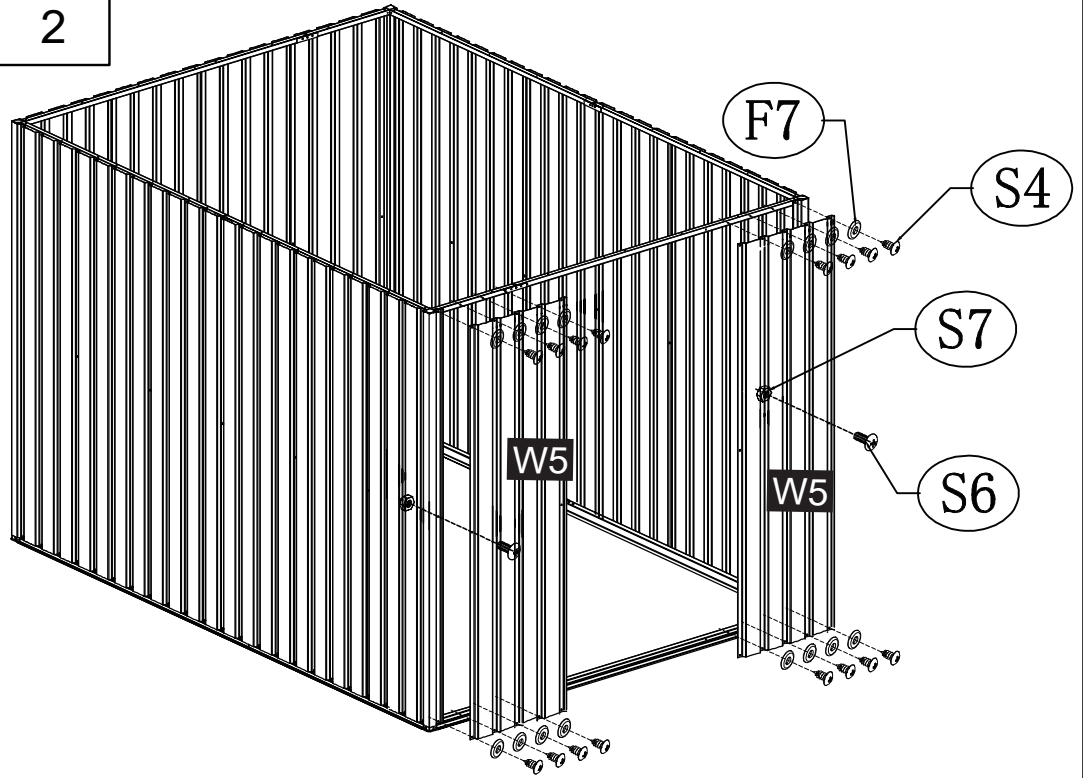
| PART | NO. | QTY. |
|-------------------------------------------------------------------------------------------|-----|------|
|  1660mm | W5 | 4 |

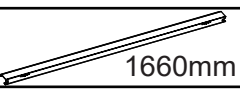

| PART | NO. | QTY. |
|------------------------------------------------------------------------------------|-----|------|
|  | S4 | 34 |
|  | F7 | 39 |
|  | S6 | 5 |
|  | S7 | 5 |




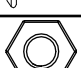
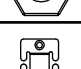


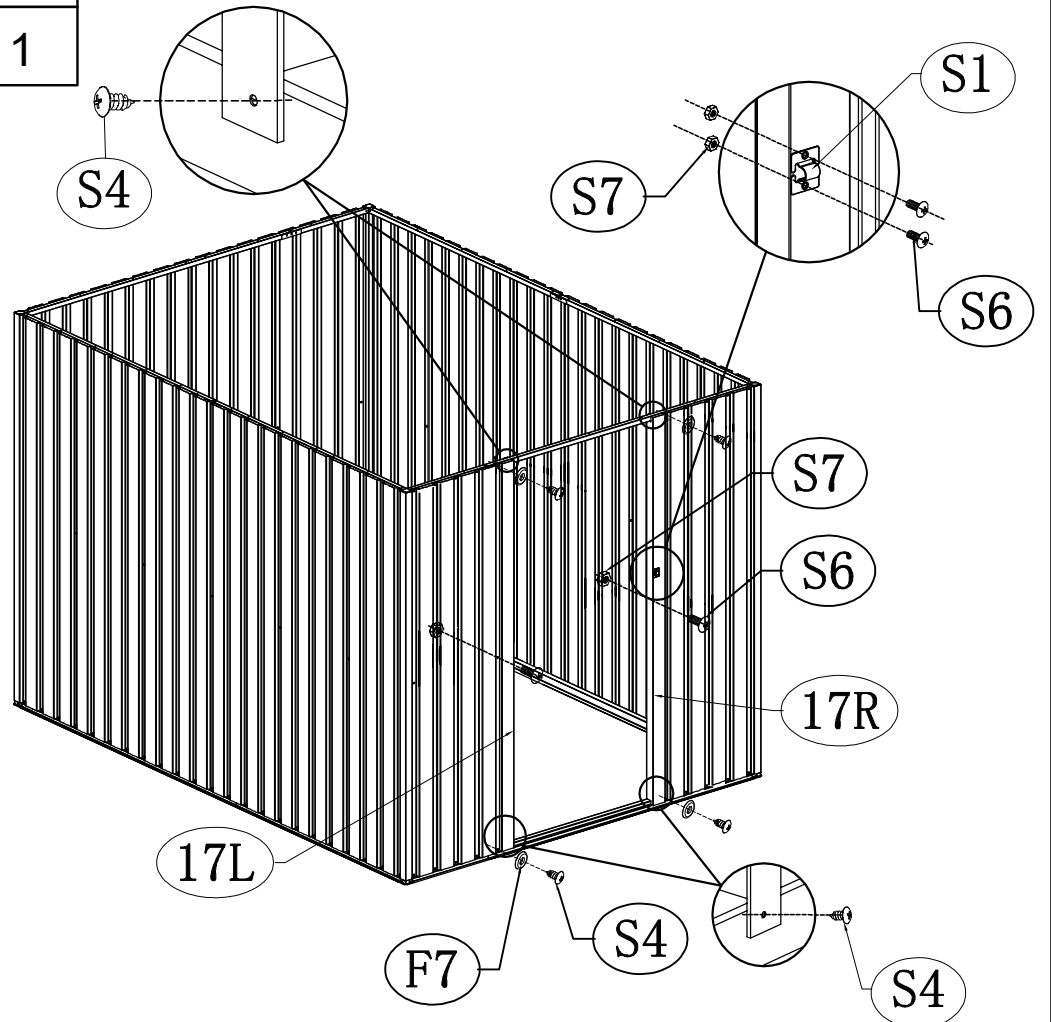
| PART | NO. | QTY. |
|-----------------------------------------------------------------------------------------|-----|------|
|  1660mm | W5 | 2 |

| PART | NO. | QTY. |
|----------------------------------------------------------------------------------|-----|------|
|  | S4 | 16 |
|  | F7 | 18 |
|  | S6 | 2 |
|  | S7 | 2 |


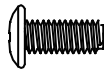




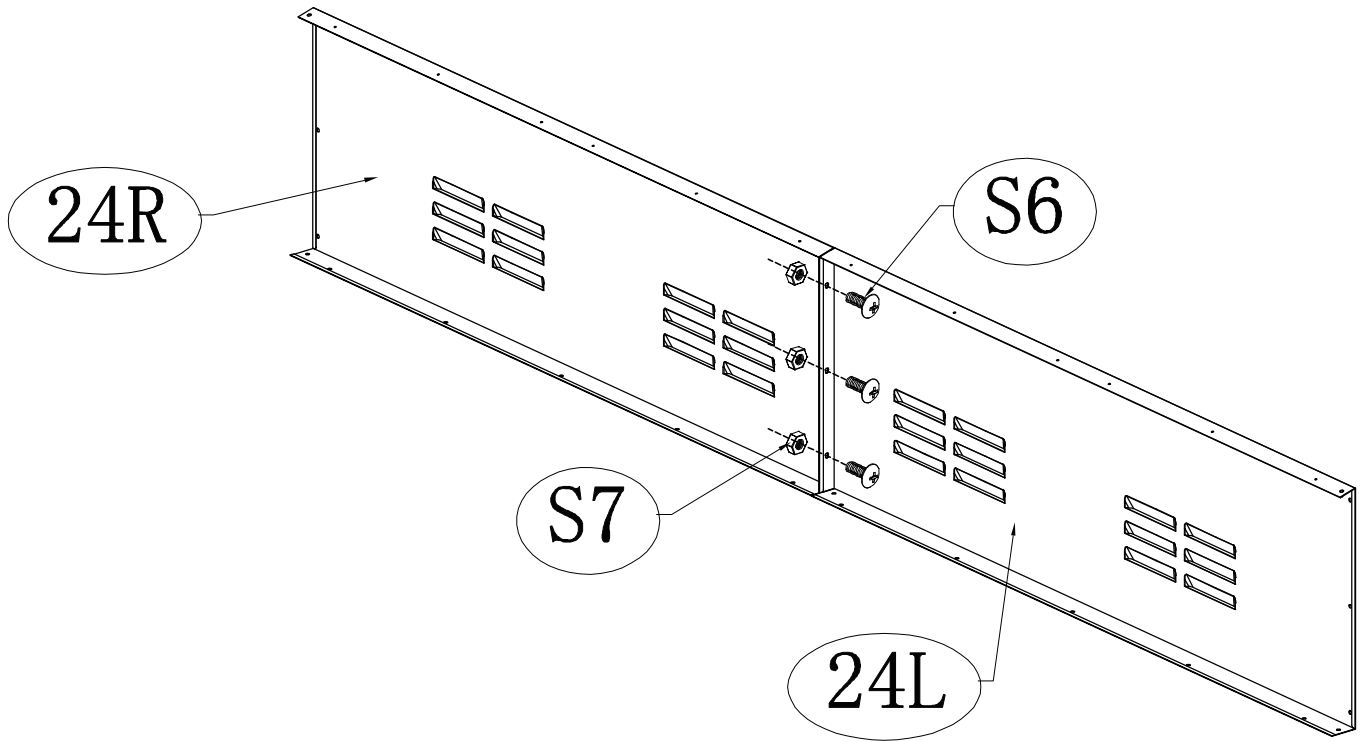
| PART | NO. | QTY. |
|-------------------------------------------------------------------------------------------|-----|------|
|  1660mm | 17L | 1 |
|  1660mm | 17R | 1 |


| PART | NO. | QTY. |
|------------------------------------------------------------------------------------|-----|------|
|  | S4 | 8 |
|  | F7 | 6 |
|  | S6 | 4 |
|  | S7 | 4 |
|  | S1 | 1 |

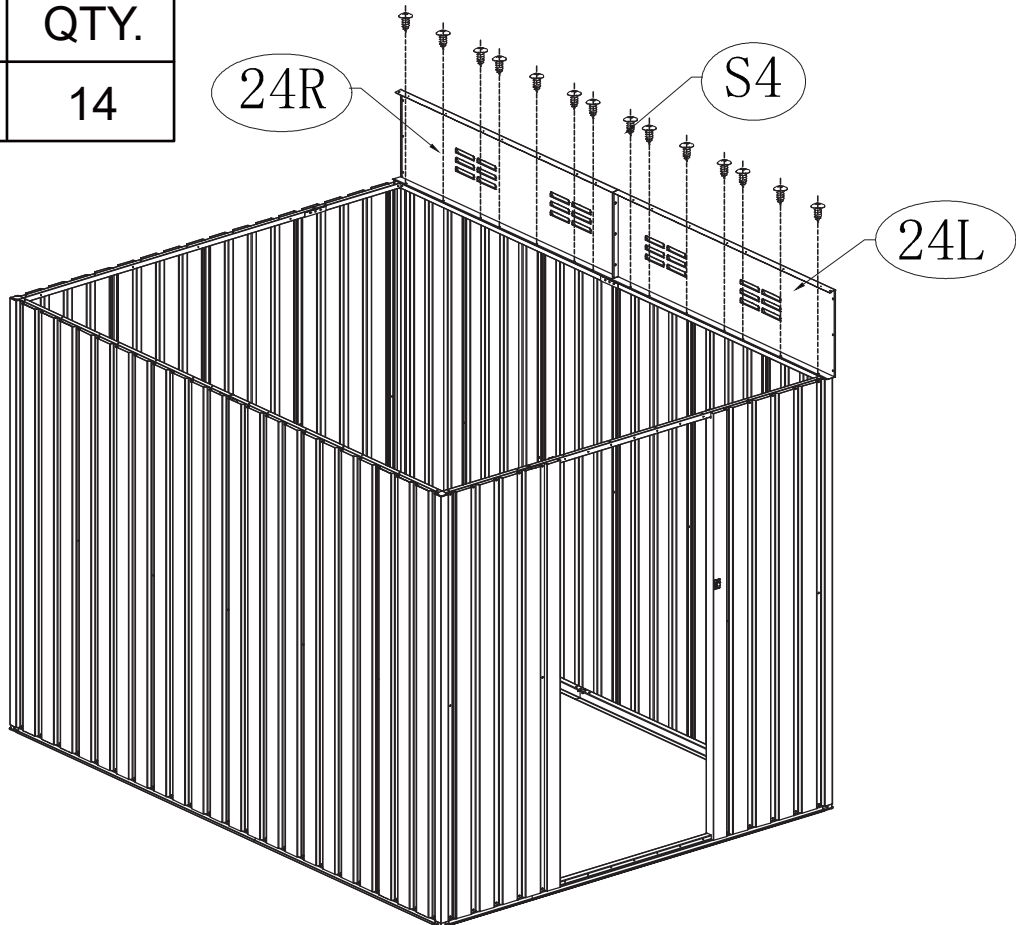


Shed Top Frame Assemble

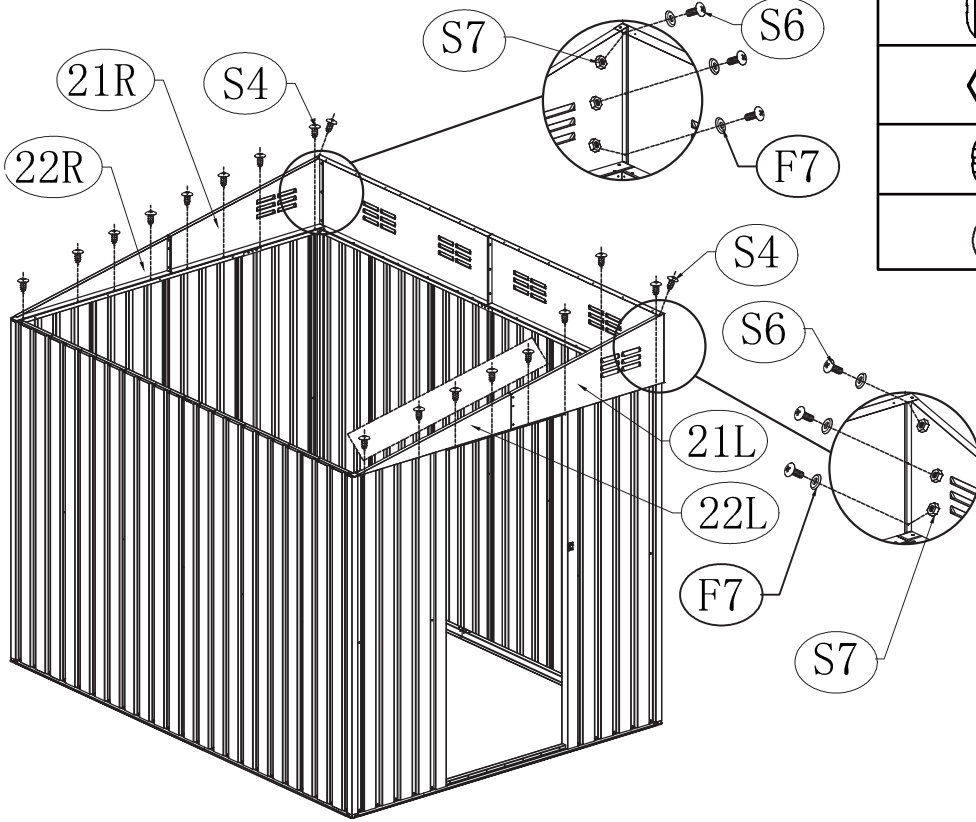
| PART | NO. | QTY. | PART | NO. | QTY. |
|-----------------------------------------------------------------------------------|-----|------|------------------------------------------------------------------------------------|-----|------|
|  | 24L | 1 |  | S6 | 3 |
|  | 24R | 1 |  | S7 | 3 |



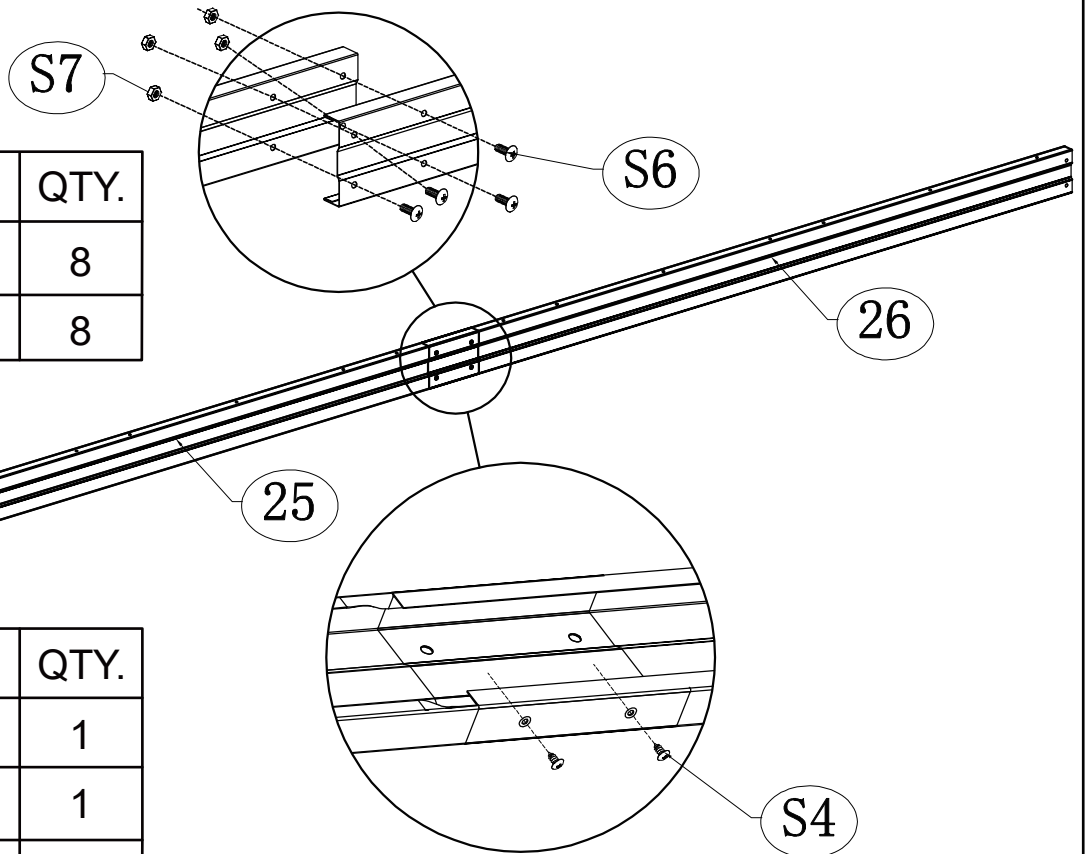
| PART | NO. | QTY. |
|-------------------------------------------------------------------------------------|-----|------|
|  | S4 | 14 |




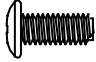


| PART | NO. | QTY. | PART | NO. | QTY. |
|------|-----|------|------|-----|------|
| | 22L | 1 | | 21L | 1 |
| | 22R | 1 | | 21R | 1 |
| | | | | S6 | 6 |
| | | | | S7 | 6 |
| | | | | S4 | 18 |
| | | | | F7 | 6 |

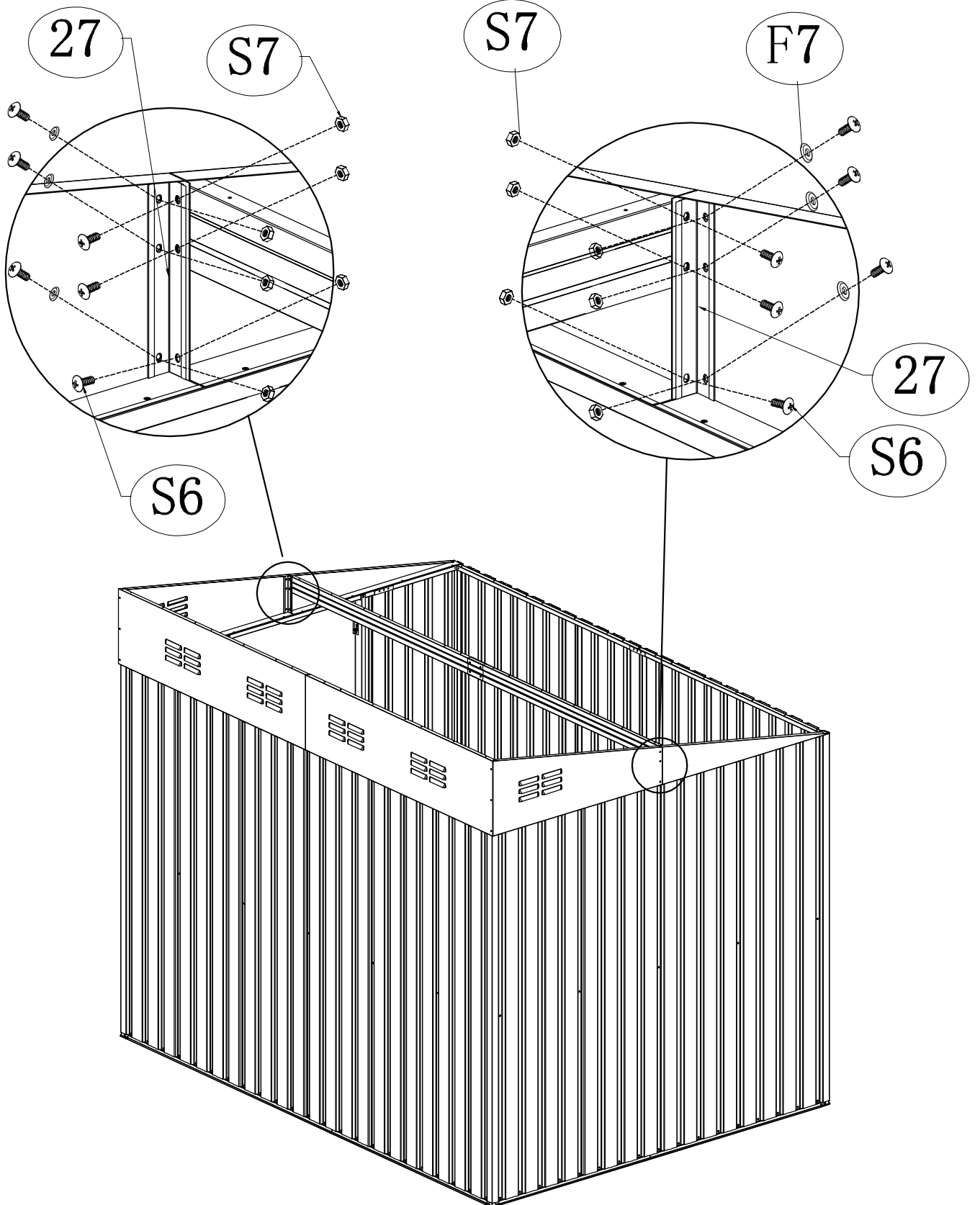


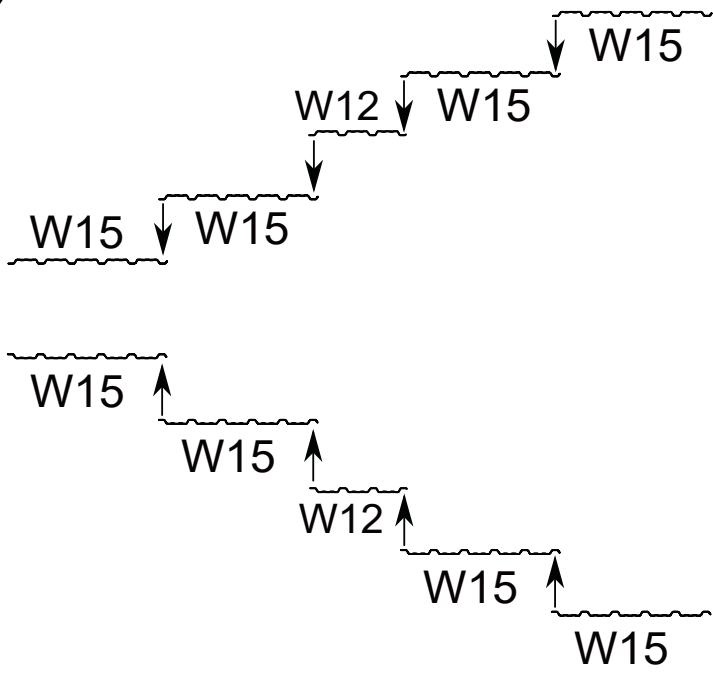
| PART | NO. | QTY. |
|------|-----|------|
| | S6 | 8 |
| | S7 | 8 |

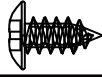
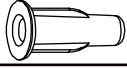

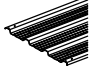



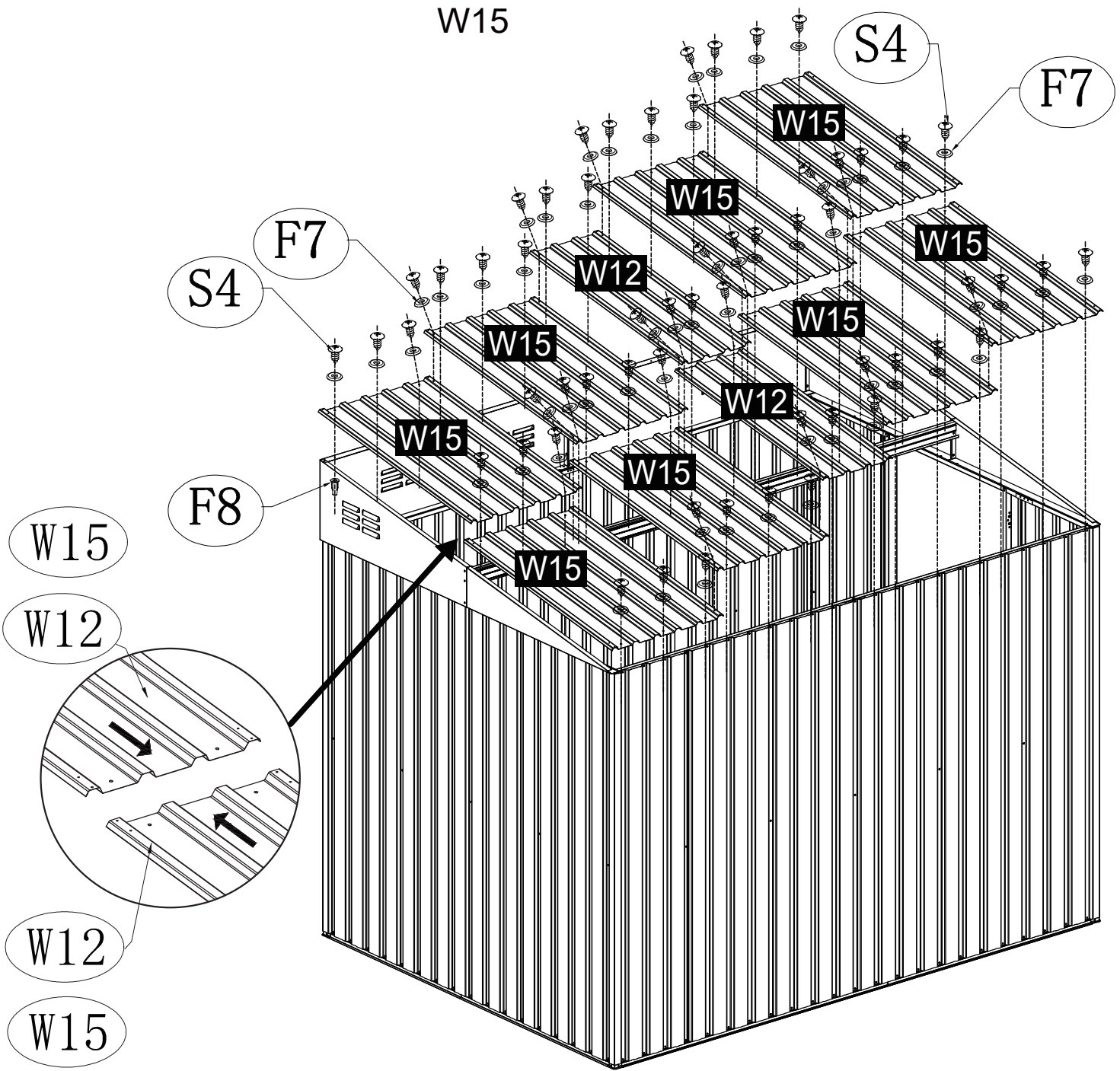
| PART | NO. | QTY. |
|------|-----|------|
| | 25 | 1 |
| | 26 | 1 |
| | S4 | 2 |




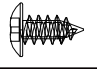
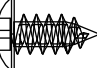
| PART | NO. | QTY. |
|-----------------------------------------------------------------------------------------|-----|------|
|  | S7 | 12 |
|  | S6 | 12 |
|  164mm | 27 | 2 |
|  | F7 | 6 |



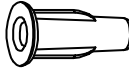



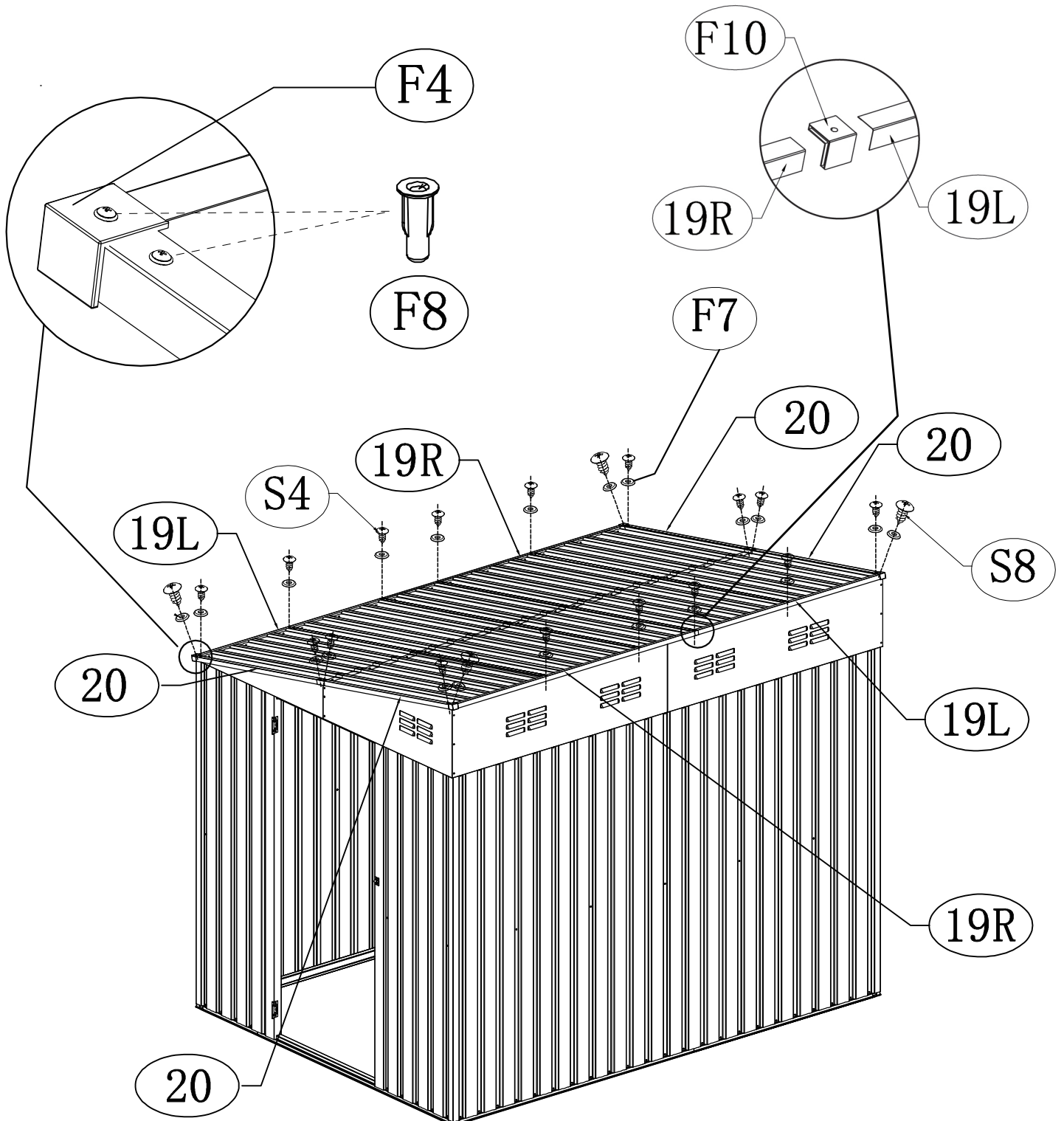


| PART | NO. | QTY. |
|------------------------------------------------------------------------------------------|-----|------|
|  | S4 | 58 |
|  | F8 | 44 |
|  | F7 | 58 |
|  958mm | W12 | 2 |
|  958mm | W15 | 8 |

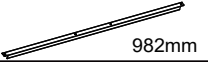
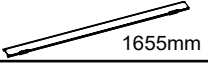
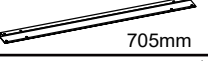
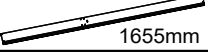


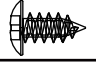
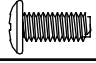


| PART | NO. | QTY. |
|------------------------------------------------------------------------------------------|-----|------|
|  1074mm | 19L | 2 |
|  1397mm | 19R | 2 |
|  966mm | 20 | 4 |
|  | S4 | 14 |
|  | S8 | 6 |

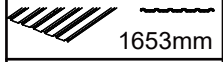
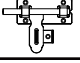

| PART | NO. | QTY. |
|------------------------------------------------------------------------------------|-----|------|
|  | F4 | 4 |
|  | F7 | 20 |
|  | F8 | 20 |
|  | F10 | 2 |

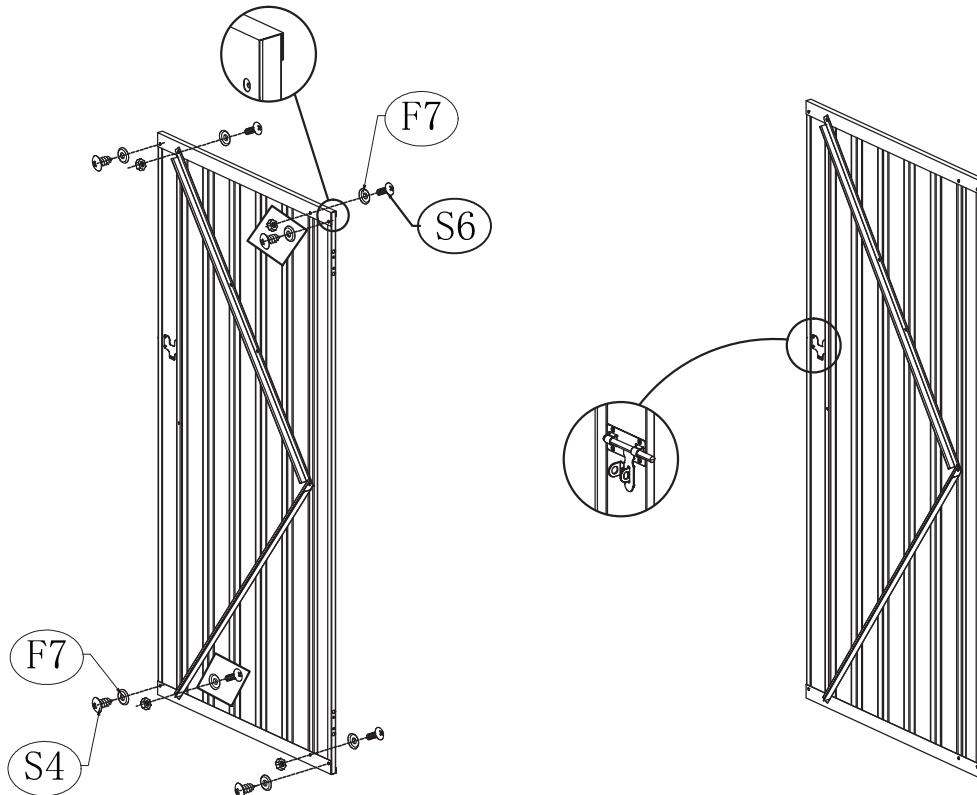
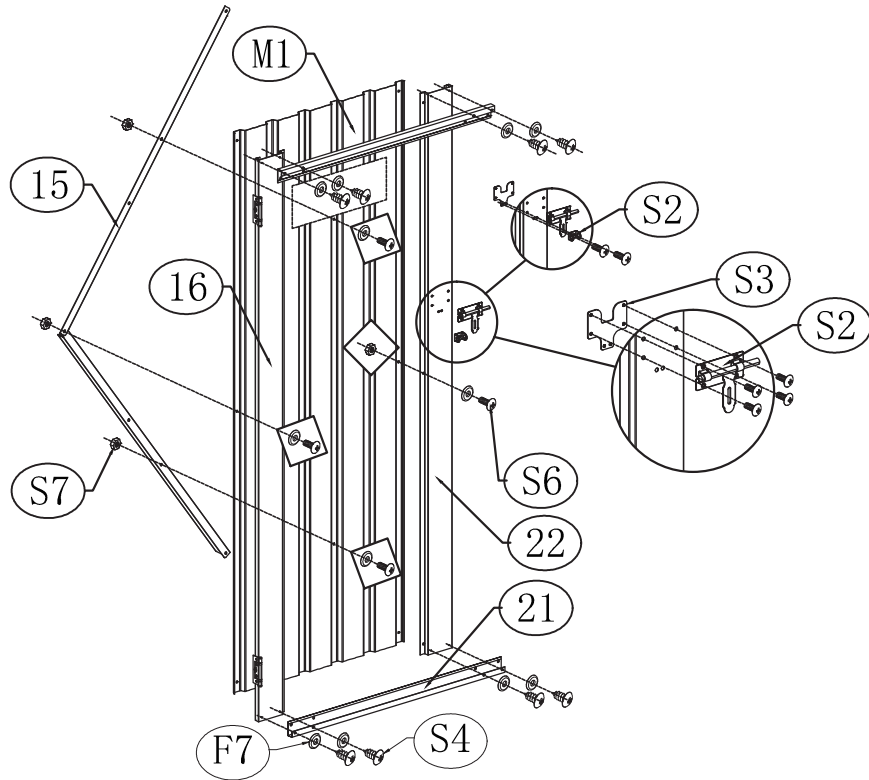



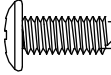

Door Assemble

| PART | NO. | QTY. |
|-----------------------------------------------------------------------------------------|-----|------|
|  982mm | 15 | 2 |
|  1655mm | 16 | 1 |
|  705mm | 21 | 2 |
|  1655mm | 22 | 1 |

| PART | NO. | QTY. |
|--------------------------------------------------------------------------------------|-----|------|
|  S4 | S4 | 12 |
|  S6 | S6 | 14 |
|  S7 | S7 | 8 |
|  F7 | F7 | 20 |

| PART | NO. | QTY. |
|--------------------------------------------------------------------------------------------|-----|------|
|  1653mm | M1 | 1 |
|  S2 | S2 | 1 |
|  S3 | S3 | 1 |



| PART | NO. | QTY. |
|-----------------------------------------------------------------------------------|-----|------|
|  | S9 | 4 |
|  | S6 | 6 |
|  | S7 | 6 |

