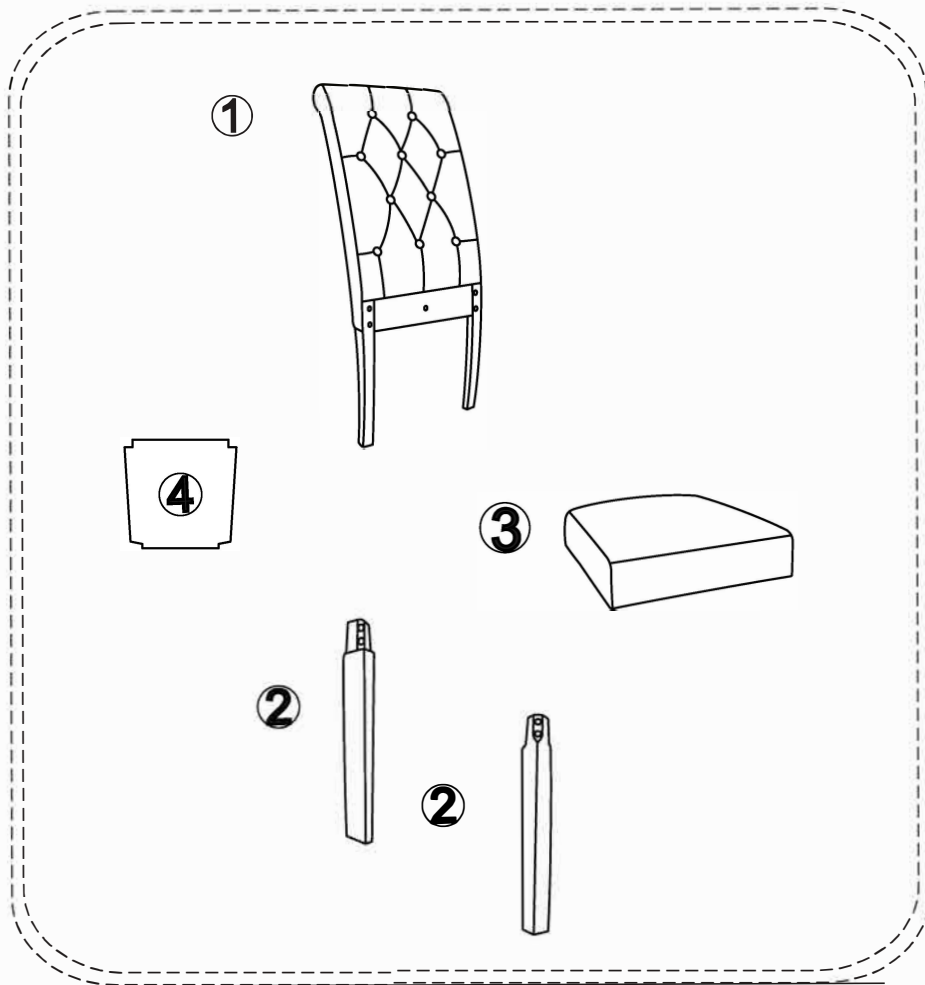
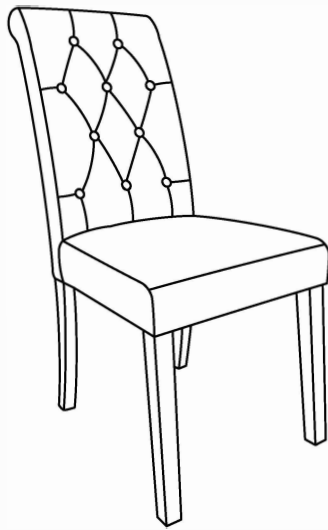


ASSEMBLY INSTRUCTIONS

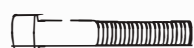


Ax5PCS



M6*55mm

Bx:4PCS



M6*80mm



Cx9PCS



Dx9PCS

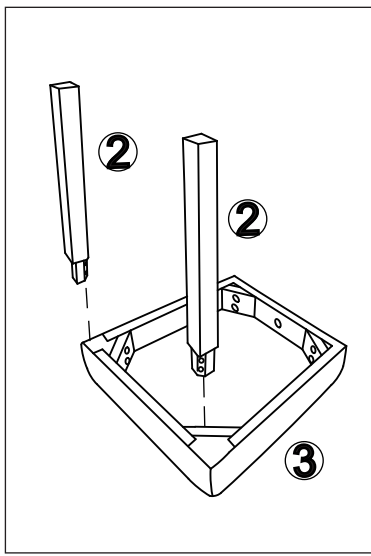


Ex1PC

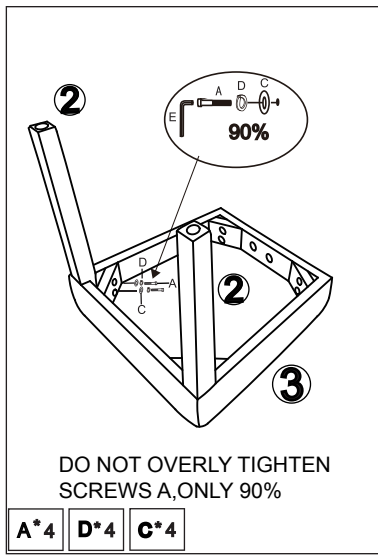


**DO NOT USE
EL DRILL**

1.

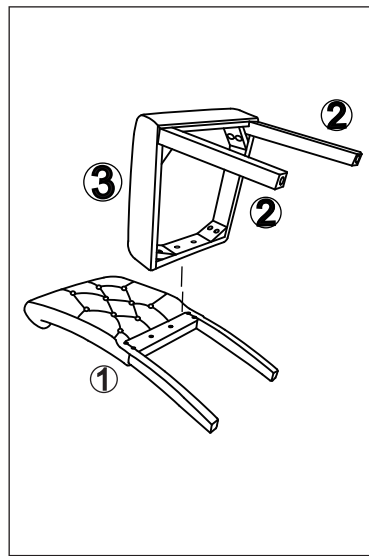


1

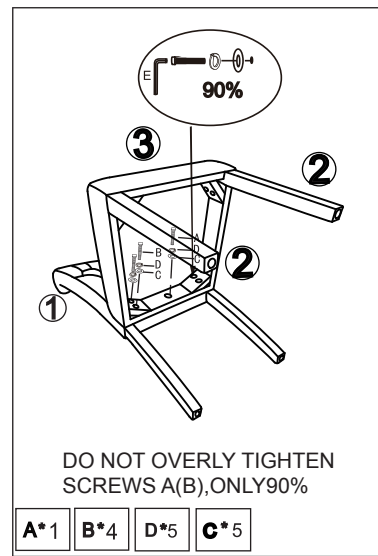


A*4 D*4 C*4

2

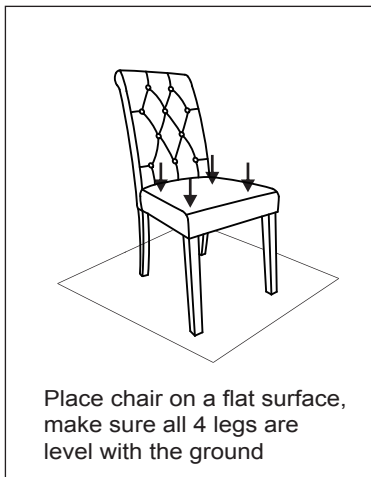


3

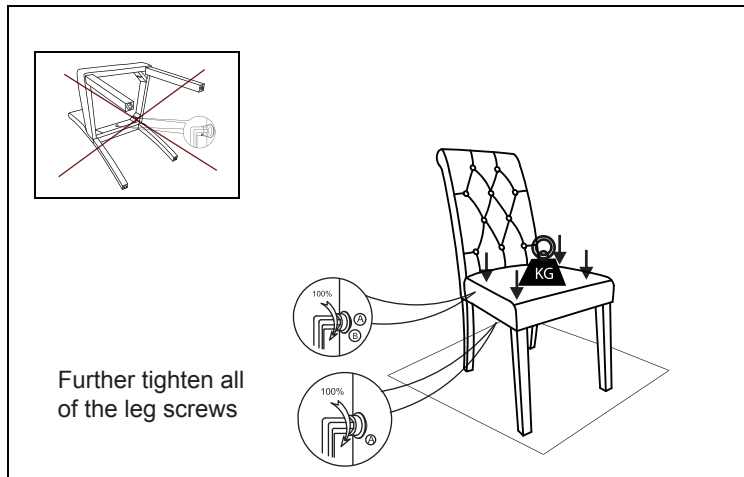


A*1 B*4 D*5 C*5

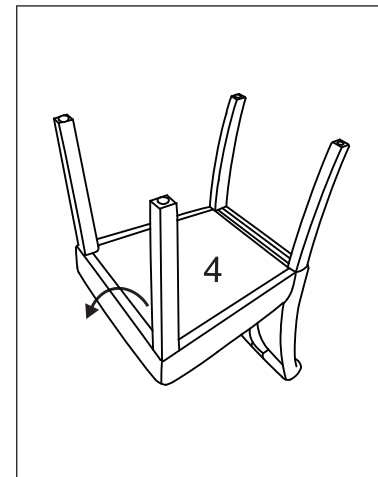
4



5



6



7

