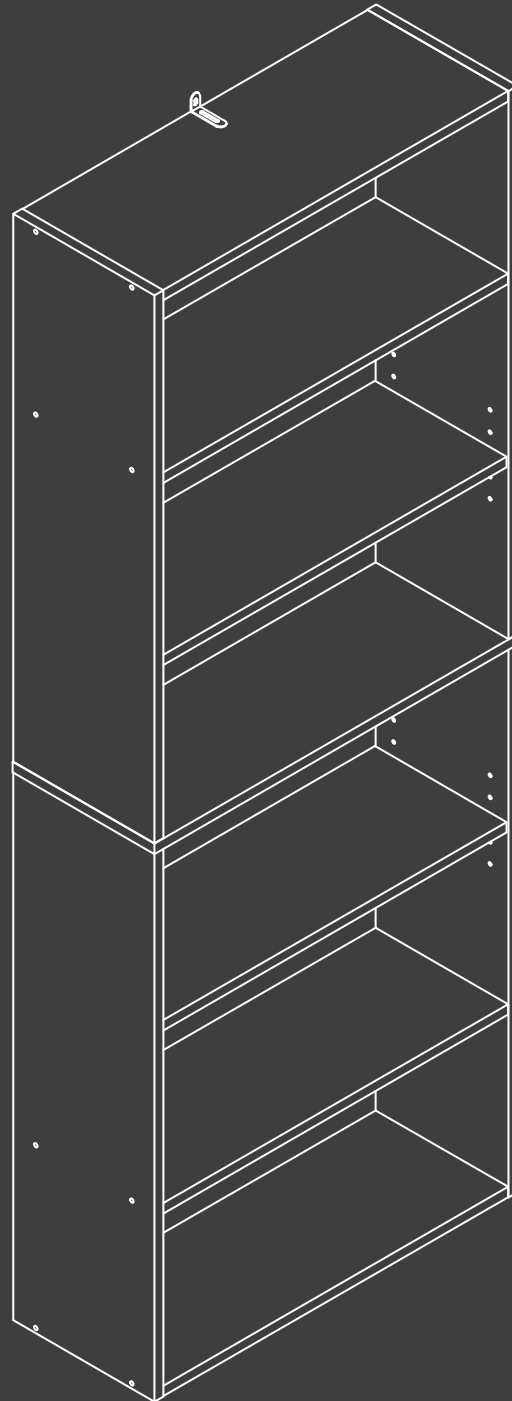
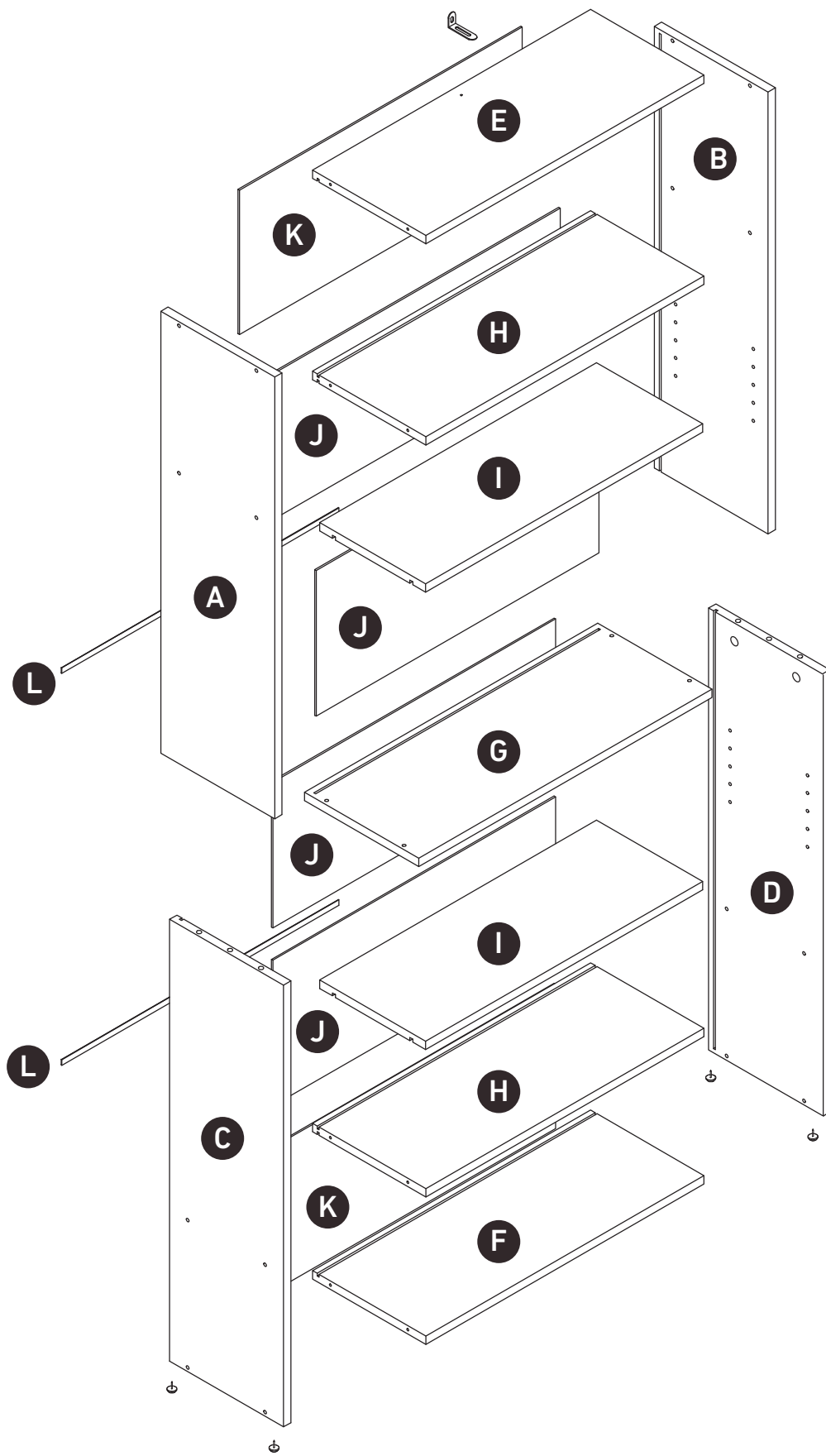


Storage Bookshelf

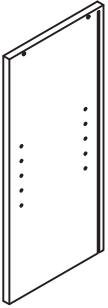
Instruction Manual



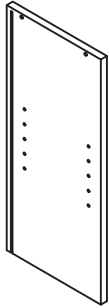


1 Package List

A X1



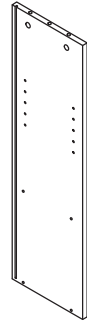
B X1



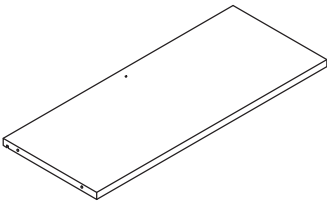
C X1



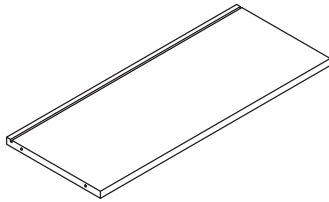
D X1



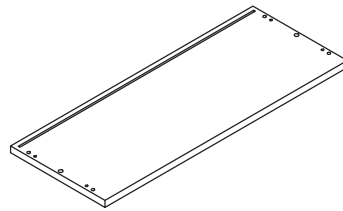
E X1



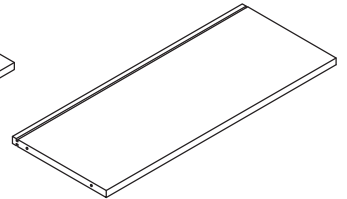
F X1



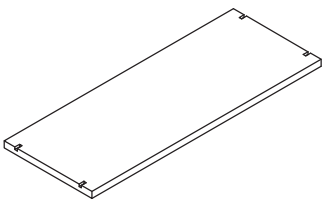
G X1



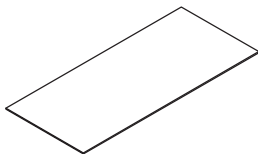
H X2



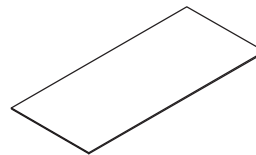
I X2



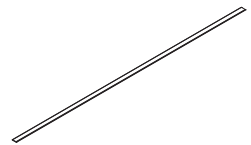
J X4



K X2

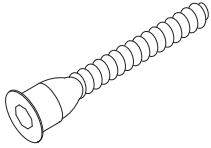


L X2



2 Supplied Parts and Hardware

1 X20



M5x38mm

2 X4



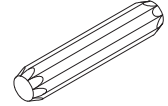
M6x40mm

3 X4



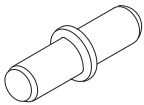
Ø15x10.5mm

4 X2



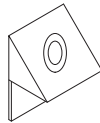
Ø8x30mm

5 X8

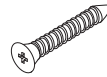


Ø5x20mm

6 X8



7 X1



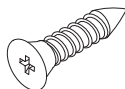
8 X1



9 X1

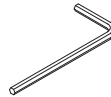


10 X9



M3x14mm

11 X1



3mm

12 X1

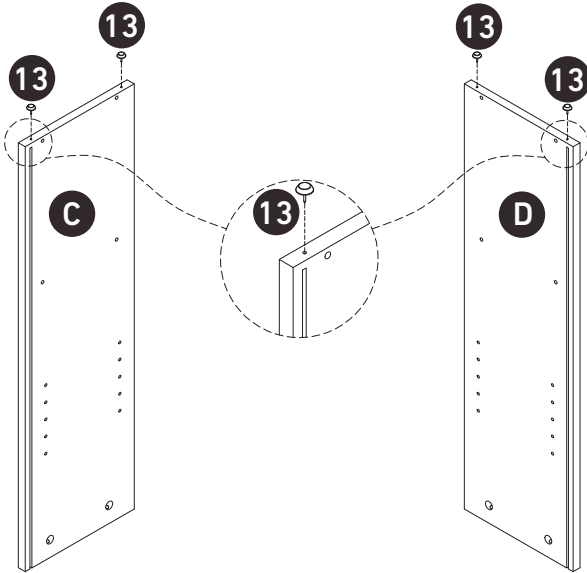
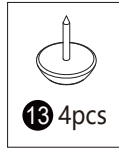


13 X4



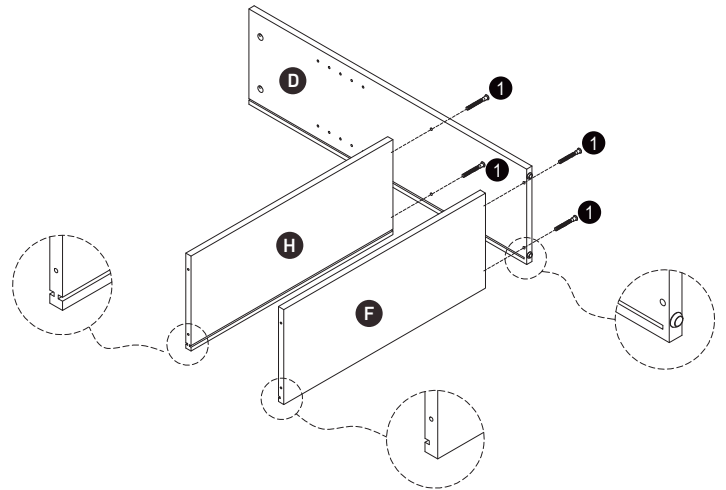
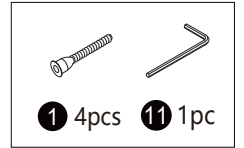
Ø13x17mm

Step 1

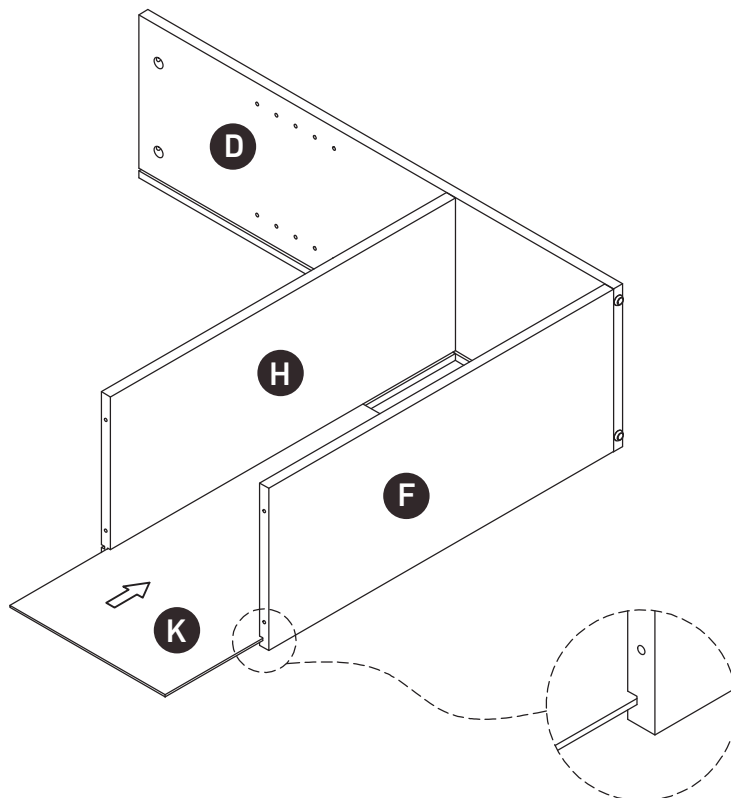


Press or hammer rivet **13** into the board.

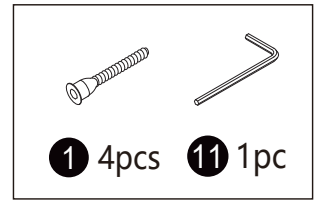
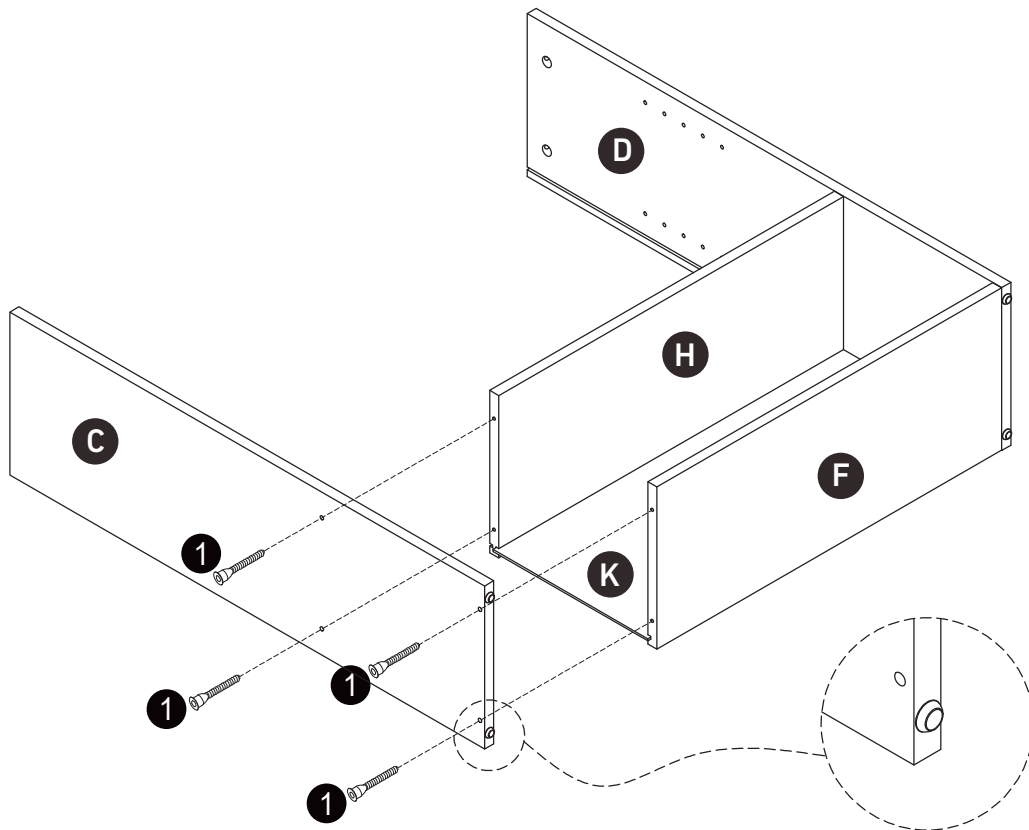
Step 2



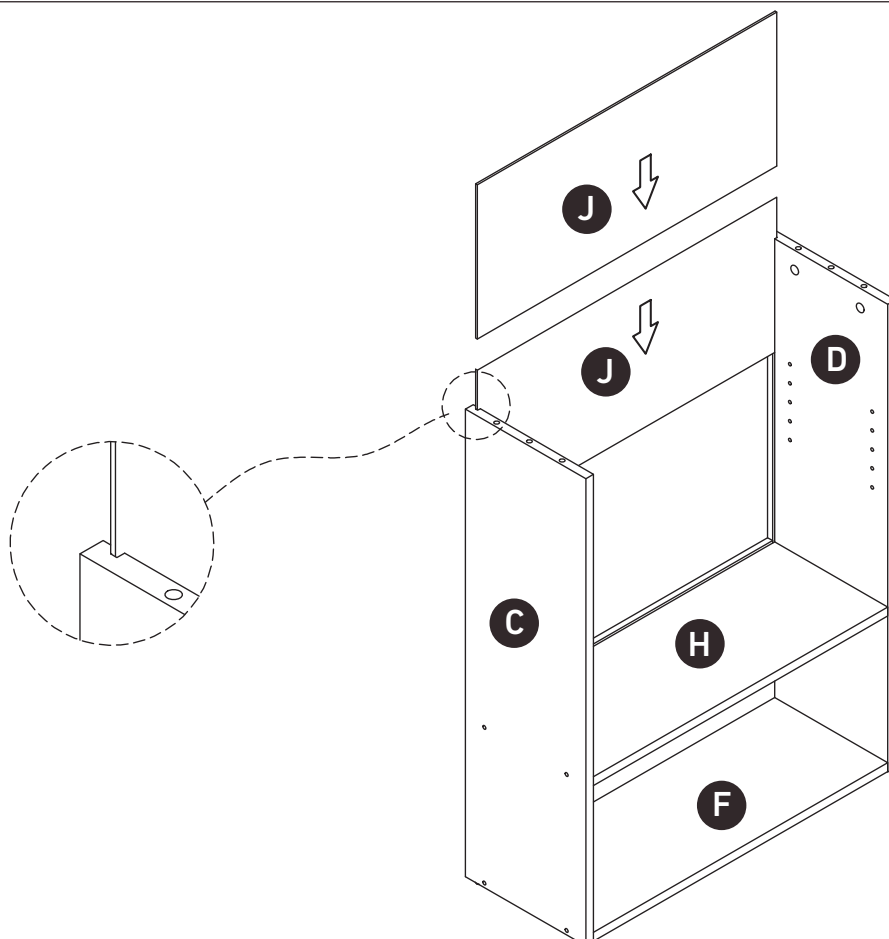
Step 3



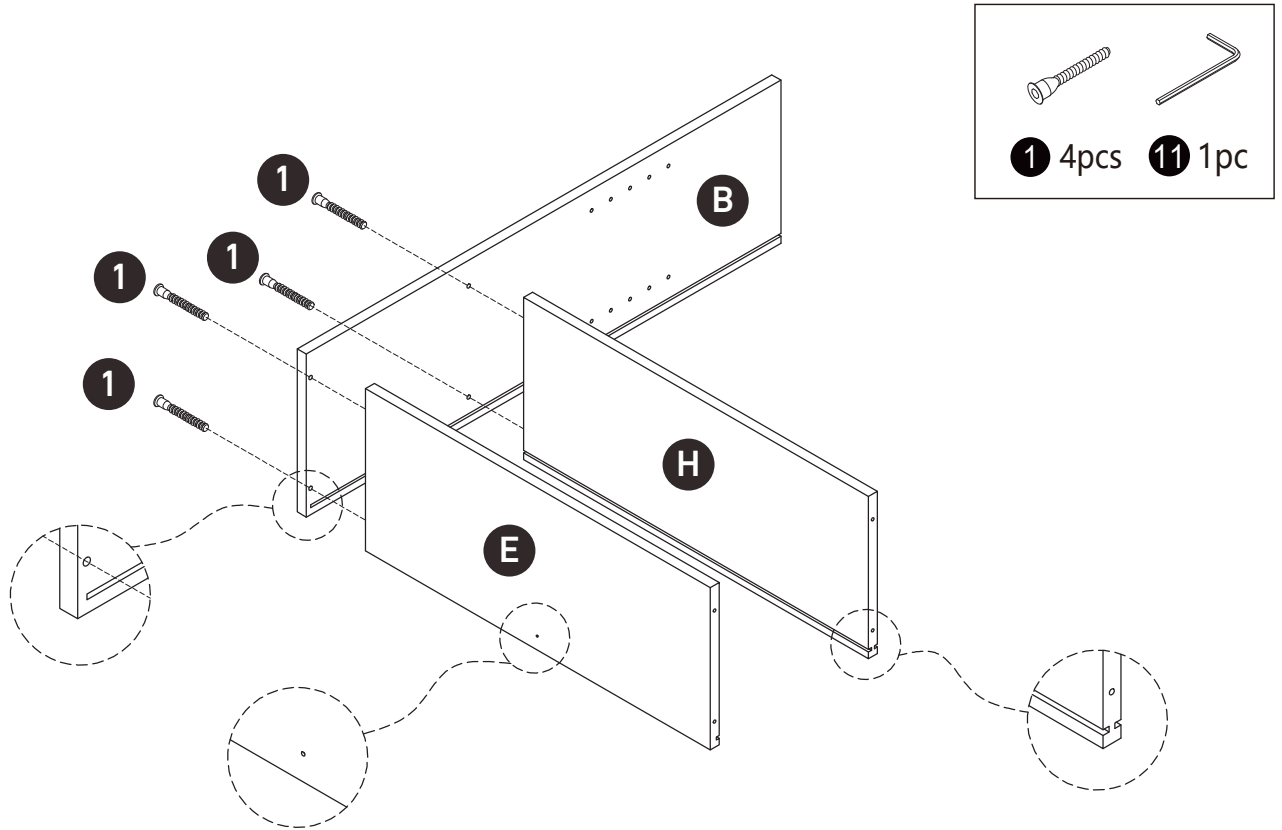
Step 4



Step 5

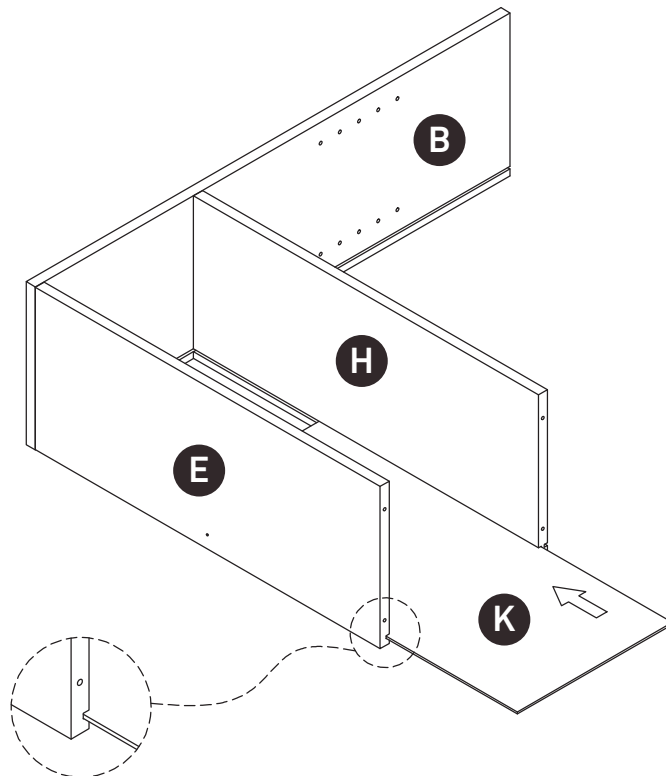


Step 6

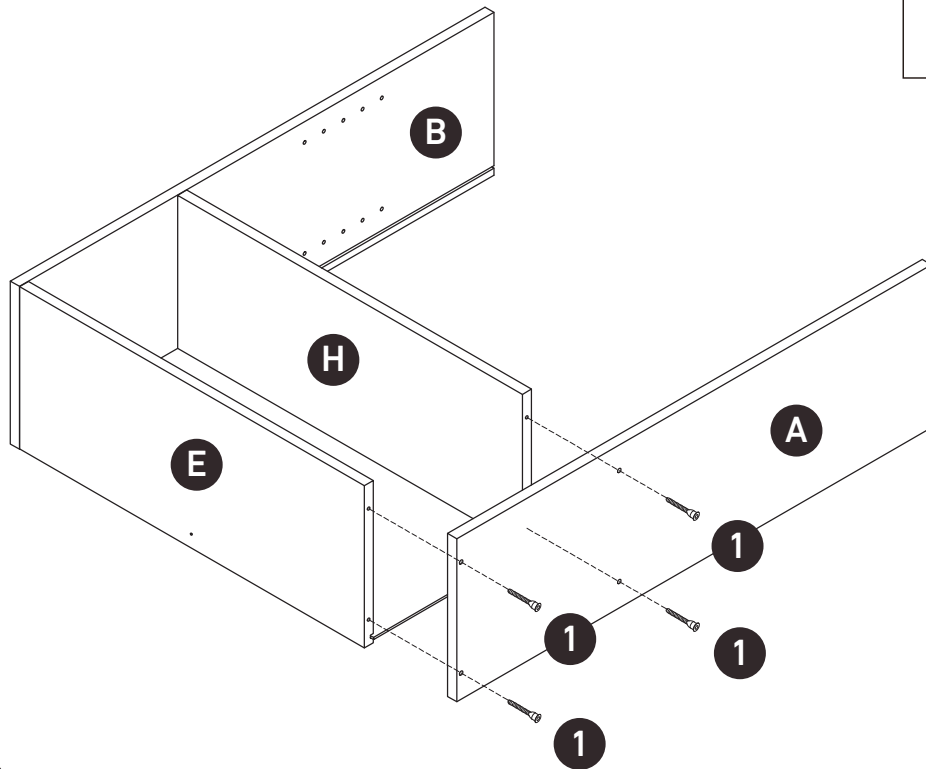


Place the side with the hole facing outward.

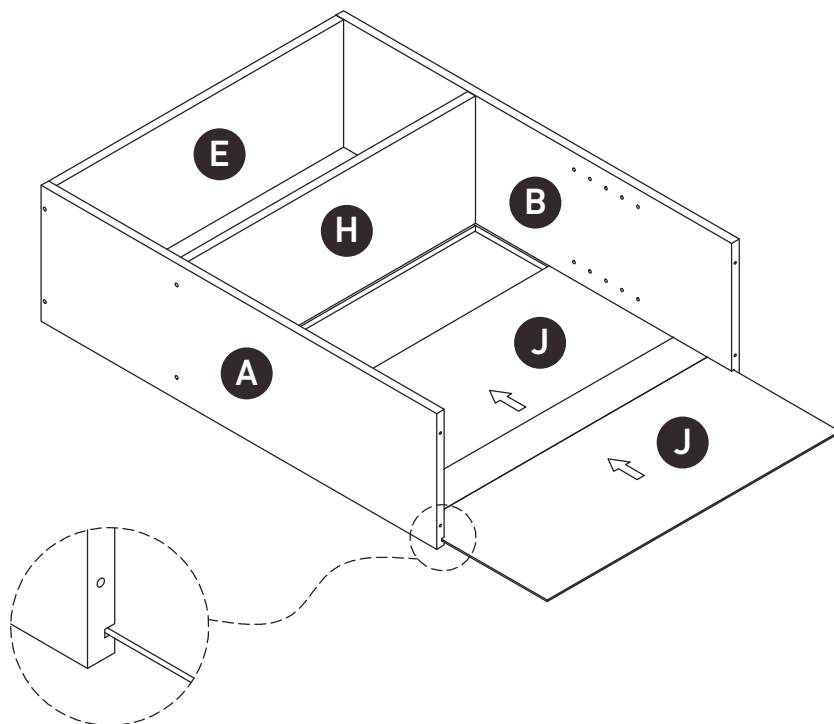
Step 7



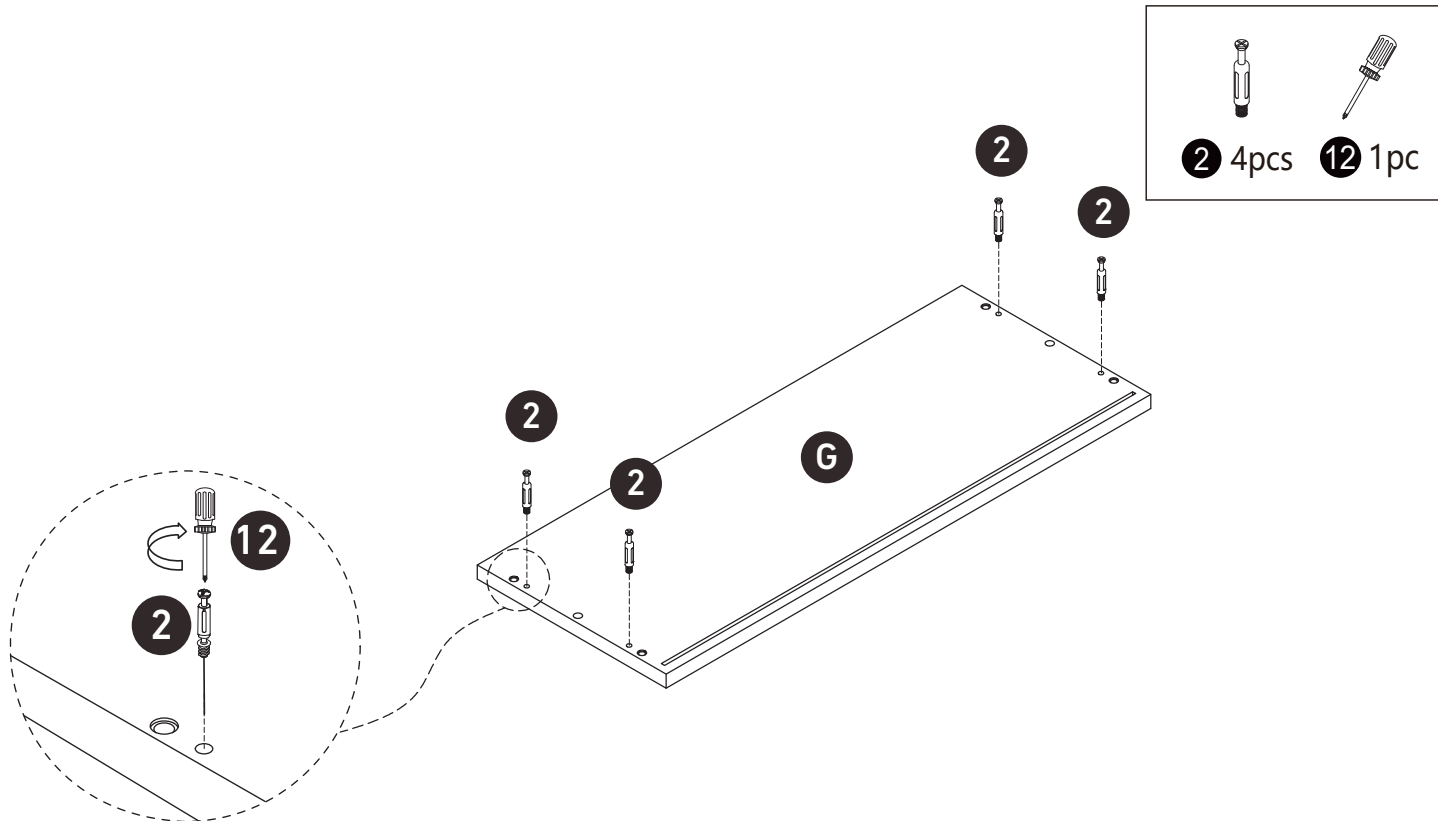
Step 8



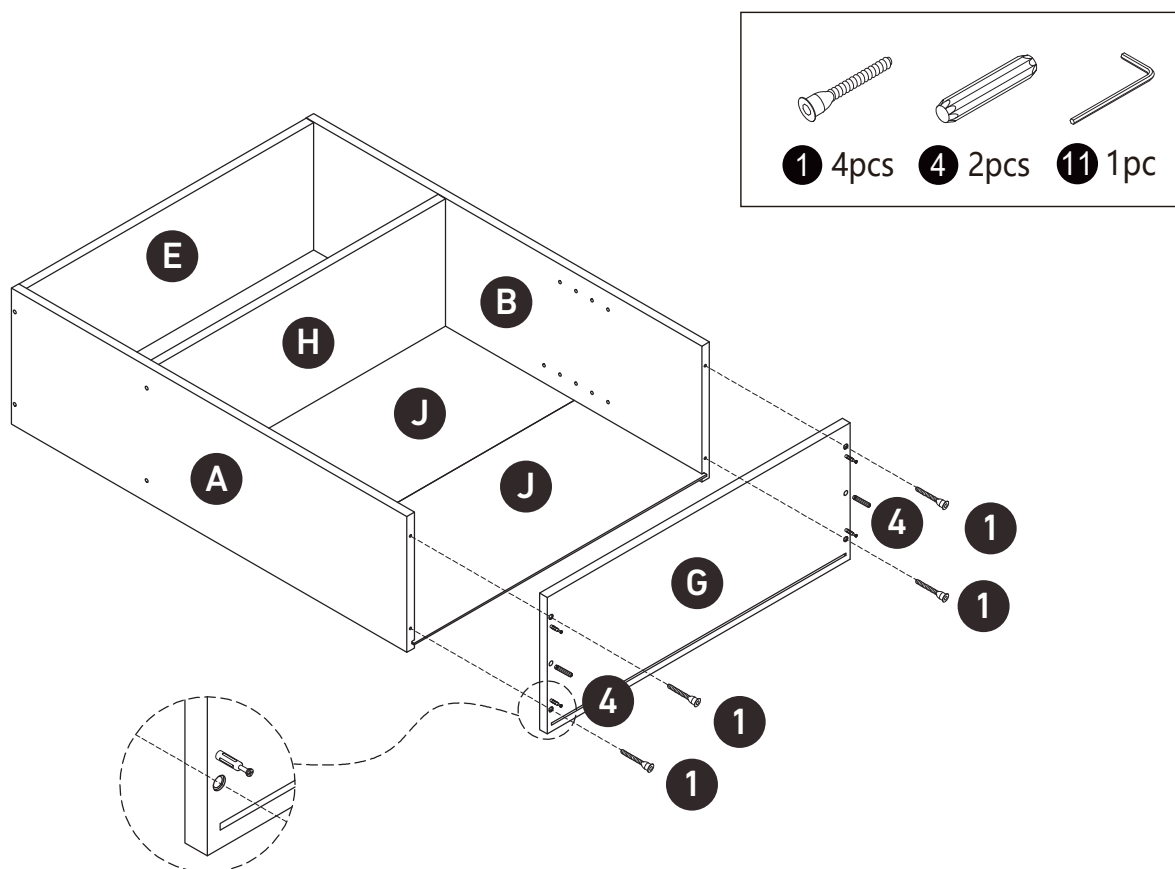
Step 9



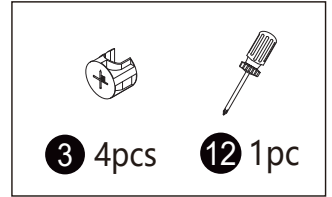
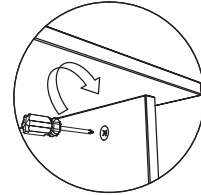
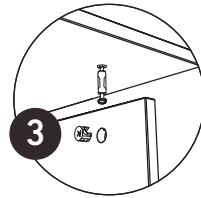
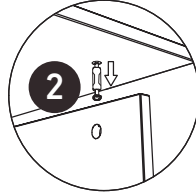
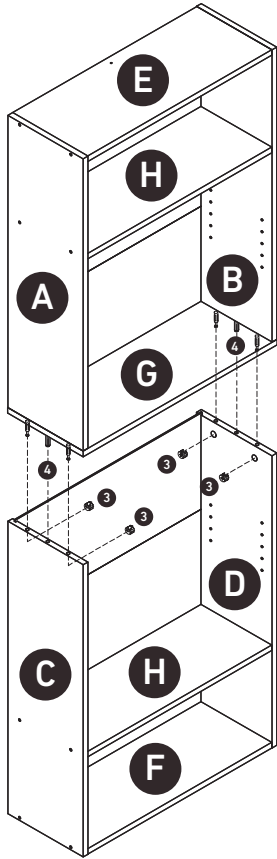
Step 10



Step 11

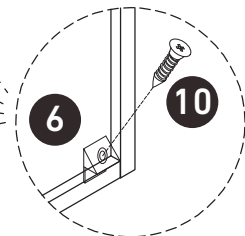
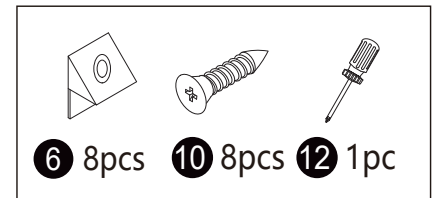
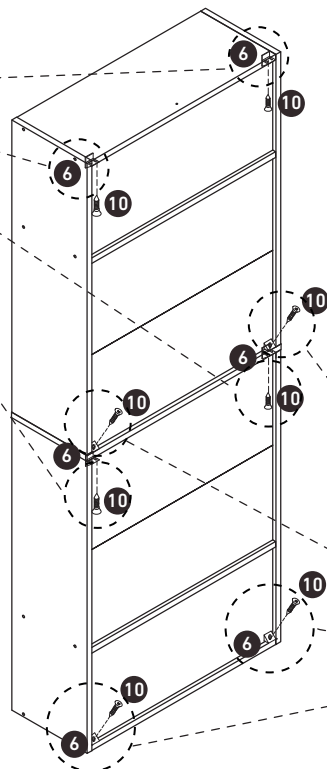
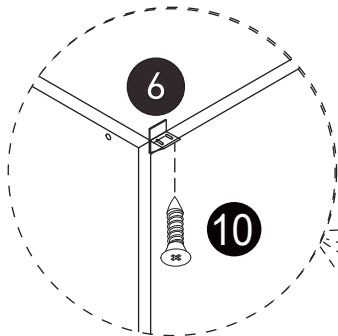


Step 12



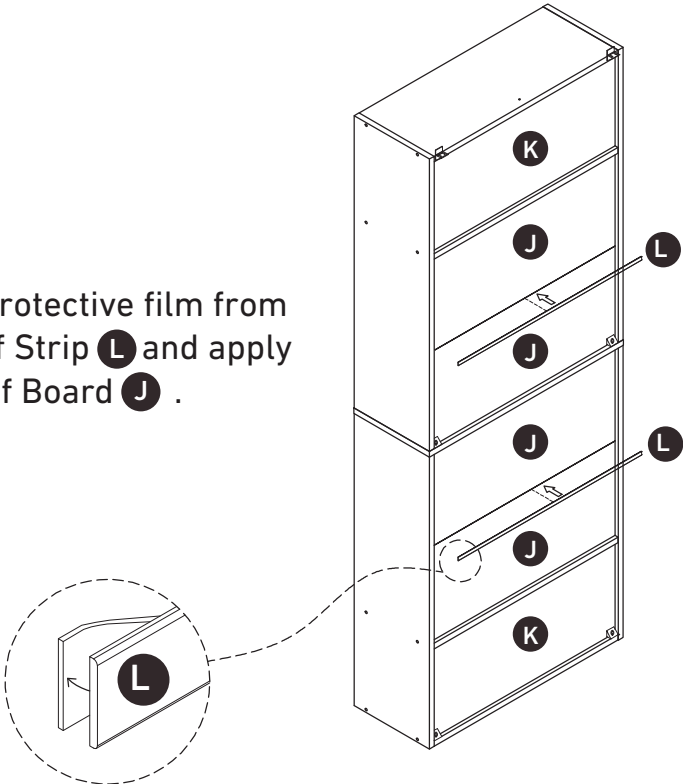
Tighten **3** only after the upper and lower parts are perfectly aligned.

Step 13

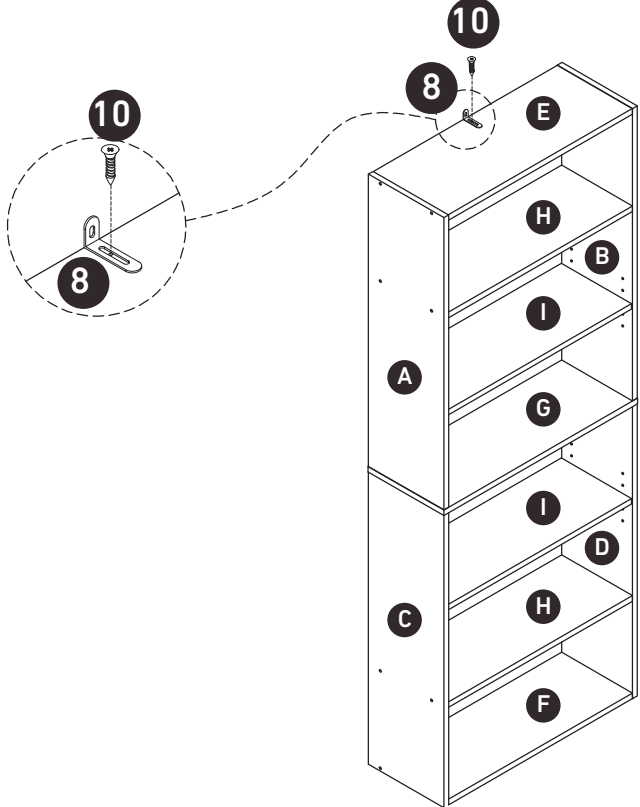


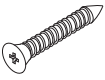

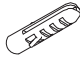
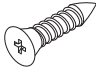

Step 14

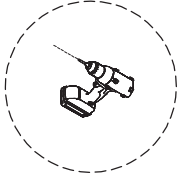
Tear off the protective film from the surface of Strip **L** and apply it to the gap of Board **J**.



Step 15



- | | | | | |
|---|--|---|---|---|
|  |  |  |  |  |
| 7 1pc | 8 1pc | 9 1pc | 10 1pc | 12 1pc |



Drill a hole in the wall.

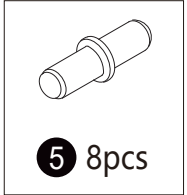
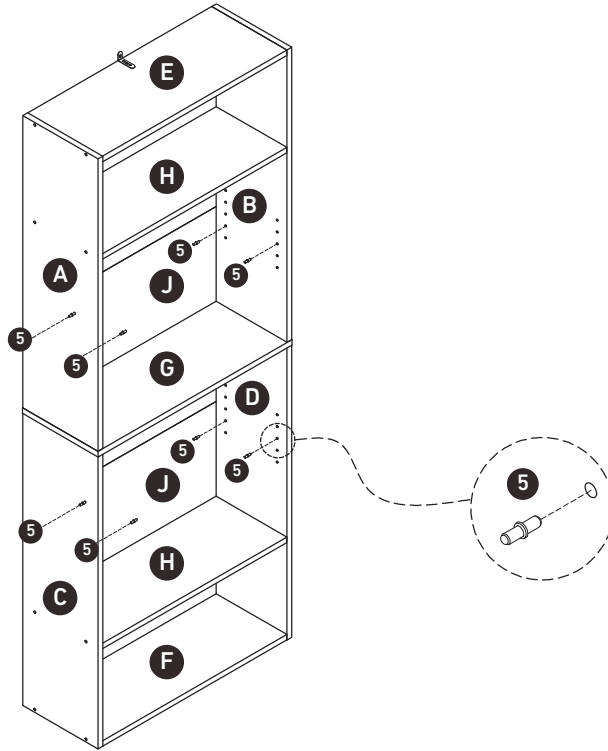


Insert **9** into the hole.

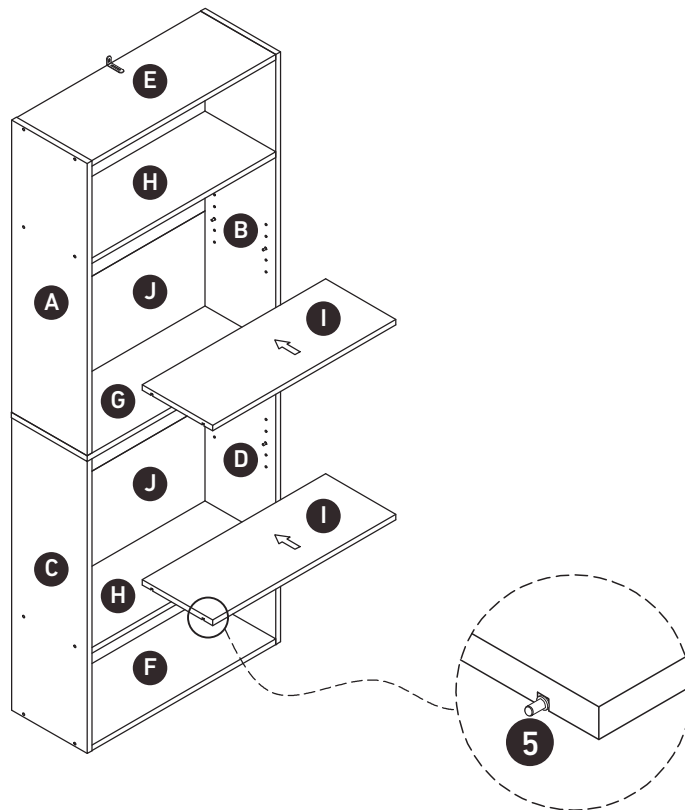


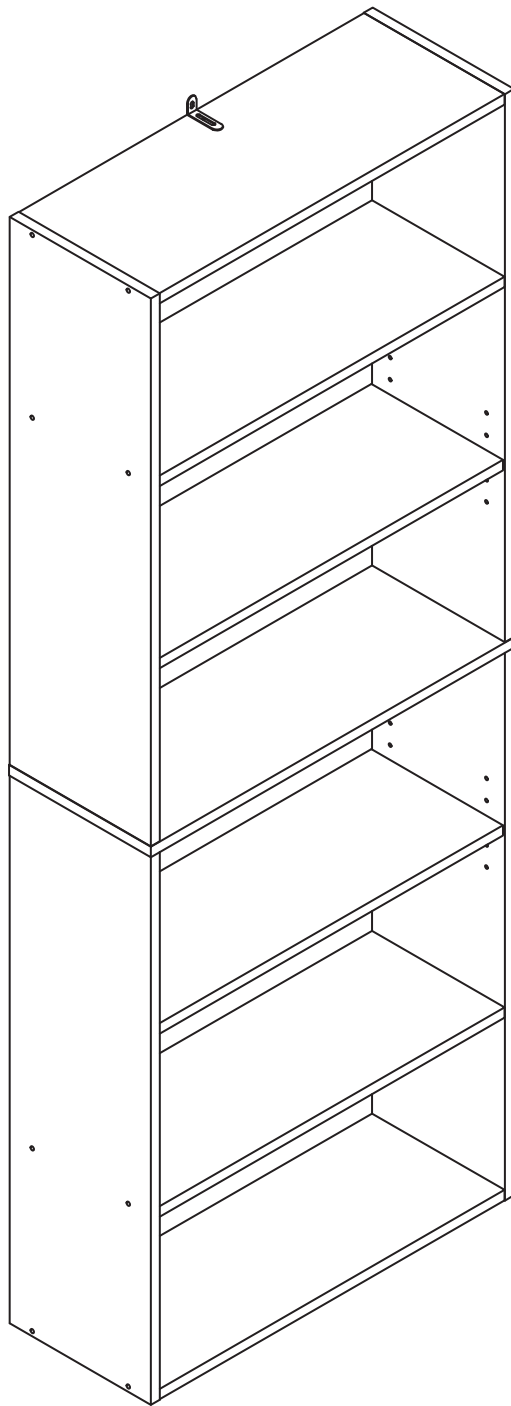
Insert **7** into **8**.

Step 16



Step 17





Thank you for choosing this product. We strive to provide you with the best quality products and services in the industry. Should you have any issues, please don't hesitate to contact us.