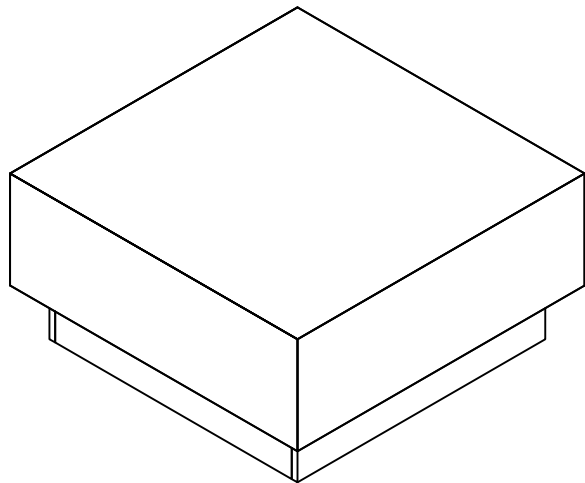


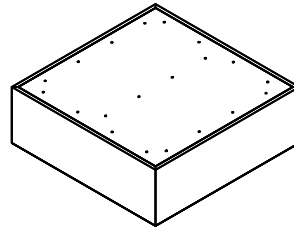
CoffeeTable Assembly instructions



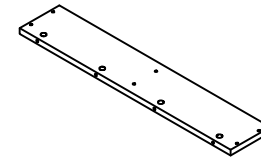
Note:

1. When assembling, place all parts on a soft, clean, and flat surface such as a carpet to prevent scratches.
2. During assembly, align all screws with the corresponding pre-drilled holes first, and then tighten them one by one.
3. Do not discard any contents until after assembly is complete to avoid accidentally discarding small parts or hardware, (We've provided extra screws for backup in case of loss or damage.)

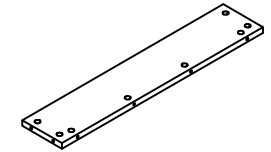
Ⓐ×1



Ⓑ×2



Ⓒ×3



Ⓓ×32



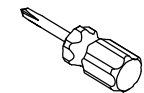
3-in-1 screw

Ⓔ×32



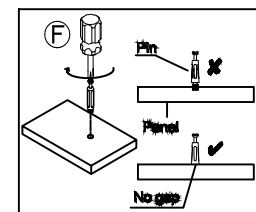
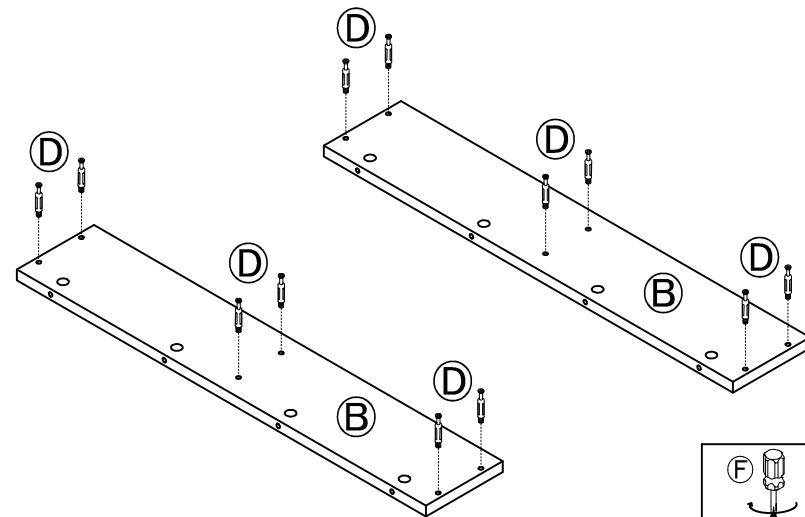
3-in-1 cam screw

Ⓕ×1

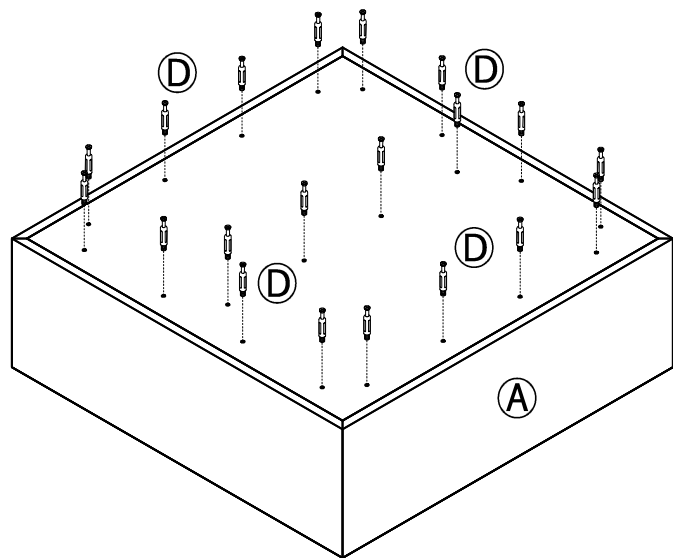


Screwdriver

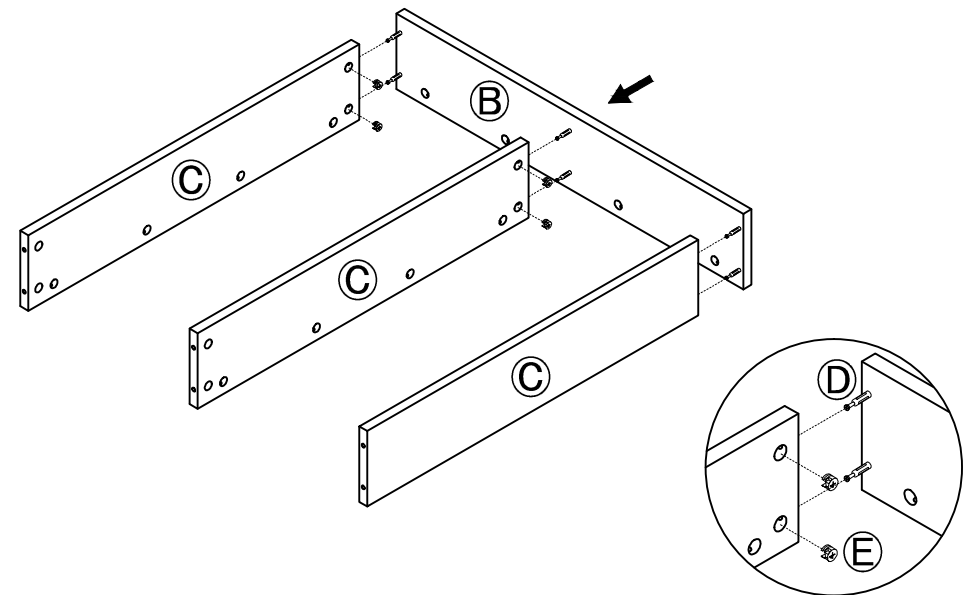
Step 1:



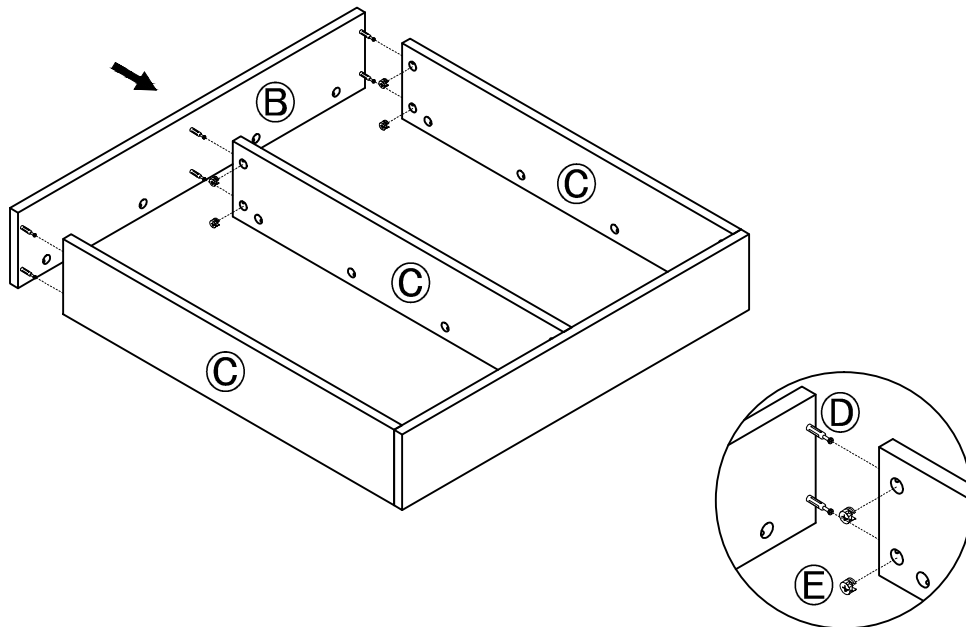
Step 2:



Step 3:



Step 4:



Step 5:

