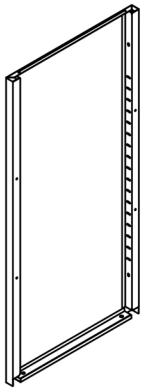
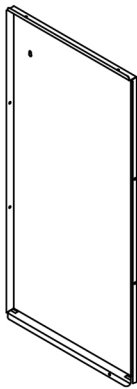


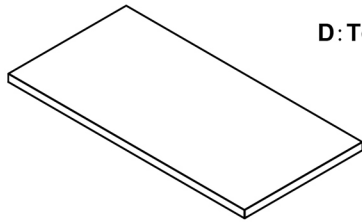
**NOTE: PLEASE AN ASSISTANT IS REQUIRED
ES NECESARIO UN AYUDANTE UN ASSISTANT
ESTNECESSAIRE.**



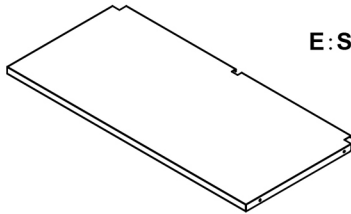
A: Panel x2



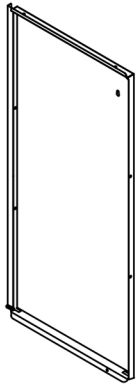
B: Left back panel



D: Top panel



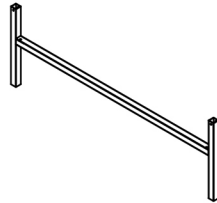
E: Shelving x3



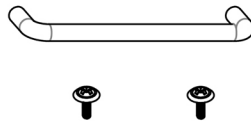
C: Right back panel



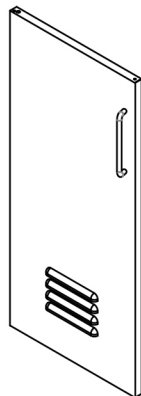
G: Right door



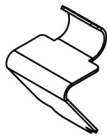
F: Standing foot x2



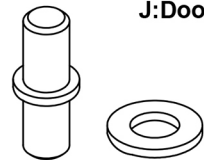
K: Hold hands x2



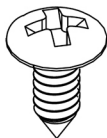
H: Left door



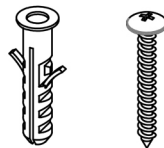
I: Hinge x8



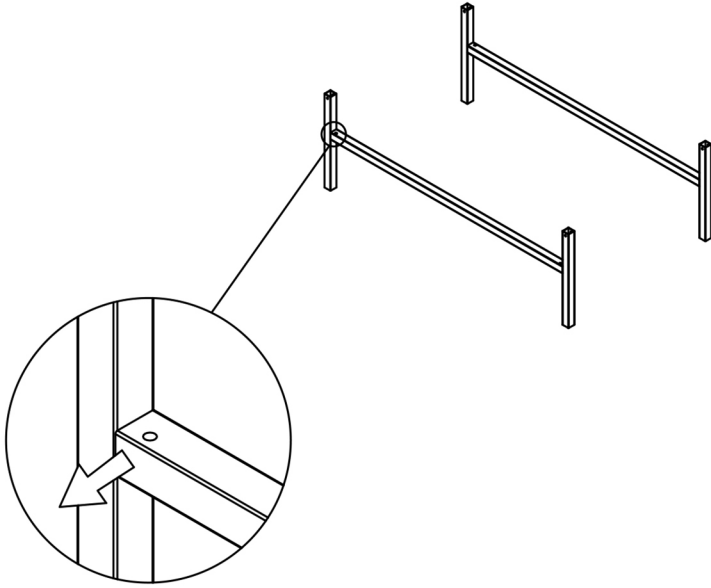
J: Door shaft x2



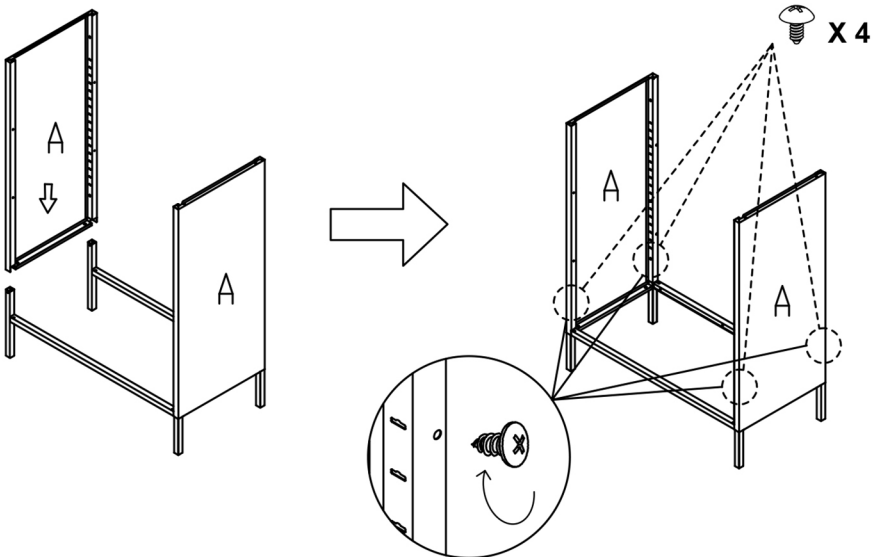
L: Screw x18



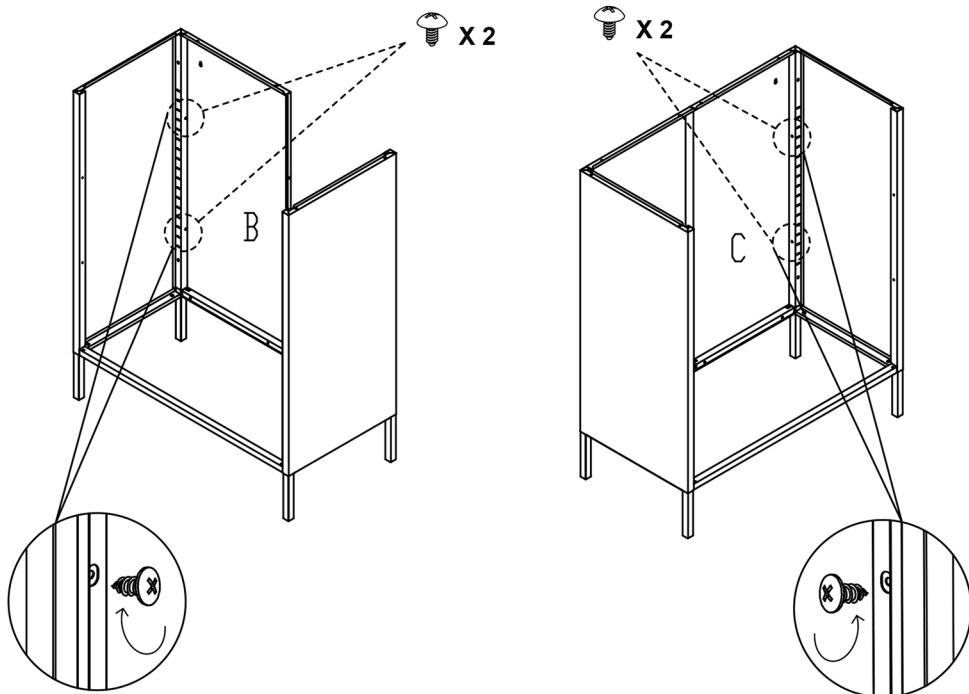
M: Expansion screw x2



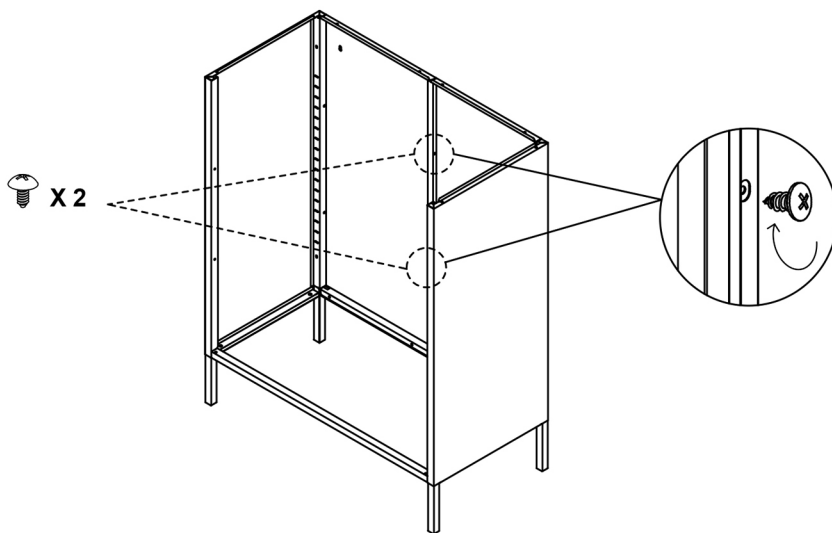
1. Put F in place, The little hole in F is facing out



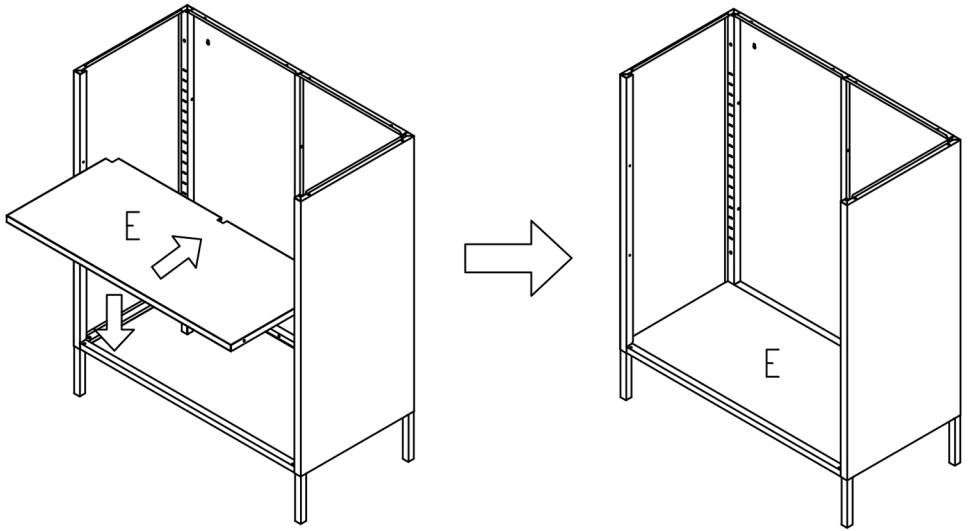
2. Install A , Fix F and A with L



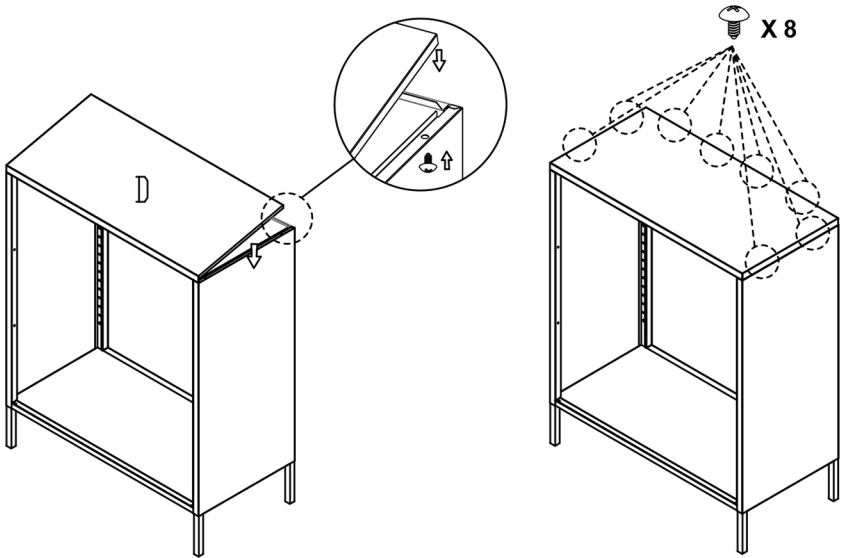
3. Install B and secure with L , Install C and secure with L



4. Link B and C with L



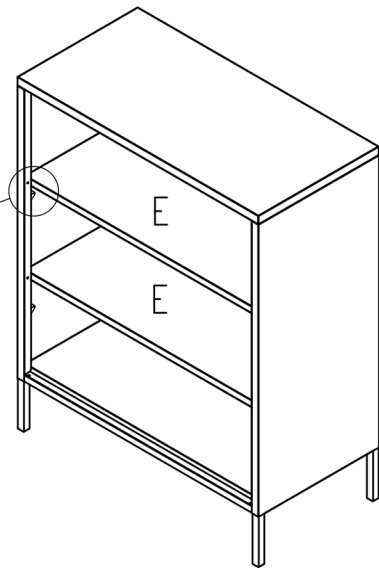
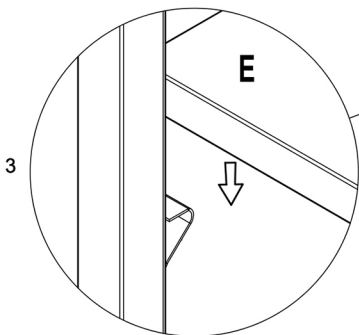
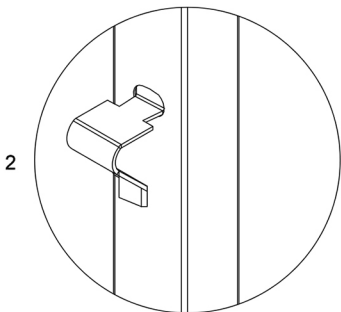
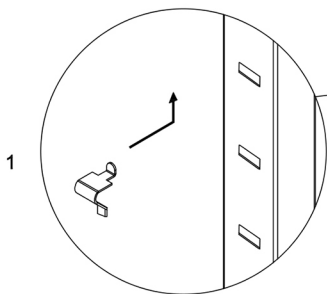
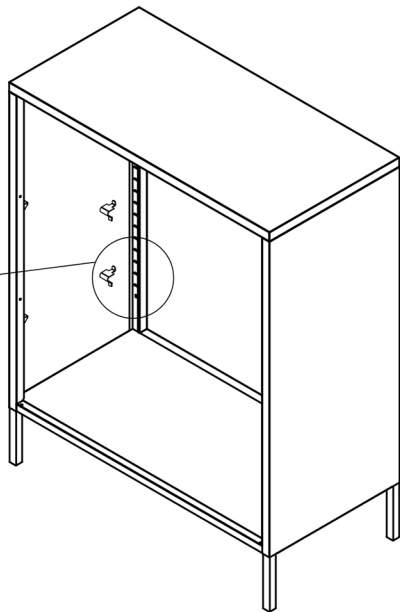
5. Install E



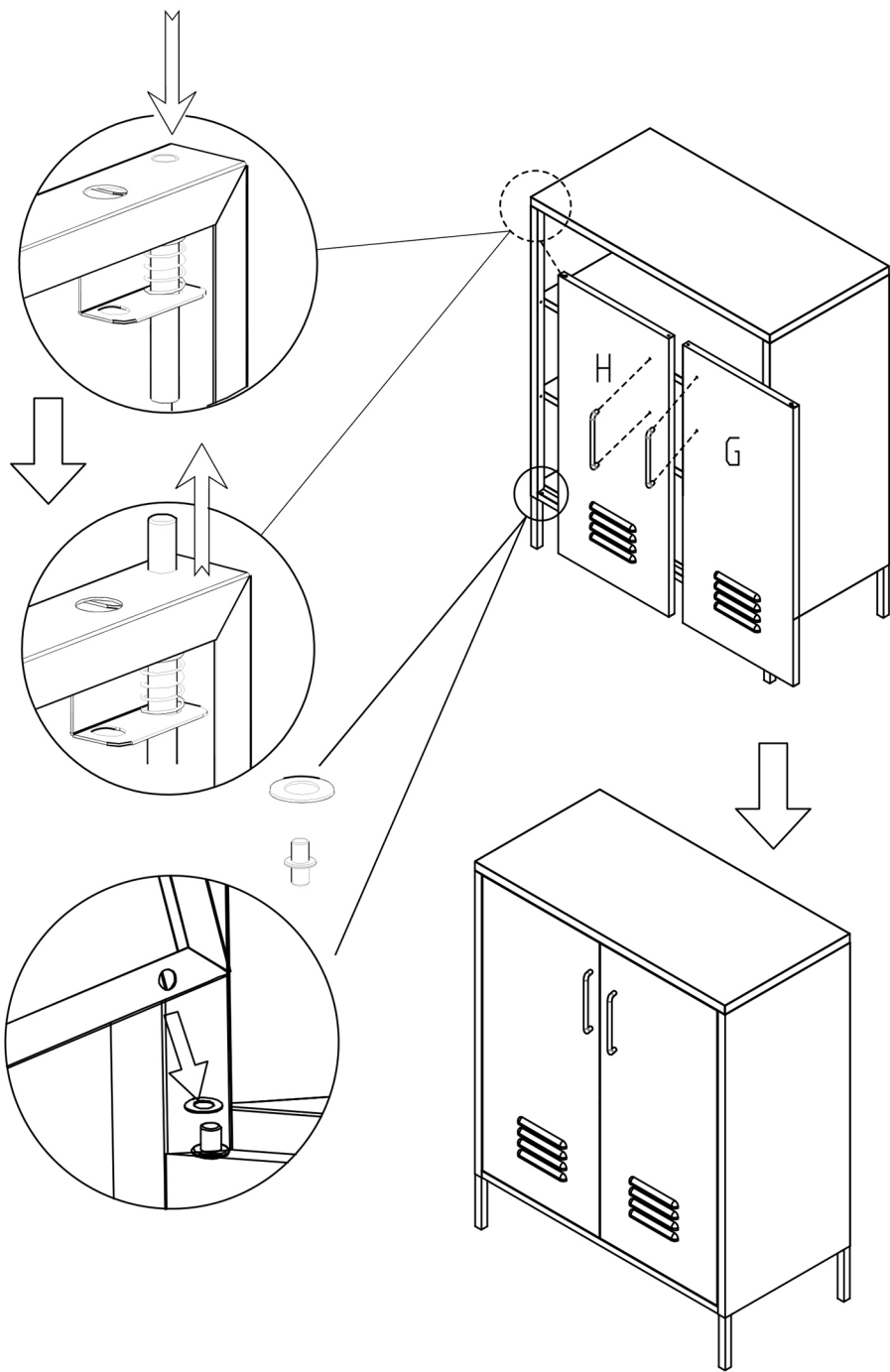
5. Install D, Fix D with L



x 8 Shelf Support (I)



6. Install I and E



7. Install left door and right door

8. Note

- Do not tighten the screws until the cabinet has been assembled.
- Watch out for small parts to avoid swallowing by children.
- Please use a proper screwdriver to avoid damage to the screws.
- Be careful not to get cut on the edges or smashed when you move the cabinet.
- Be careful not to squeeze your fingers when tightening screws.