

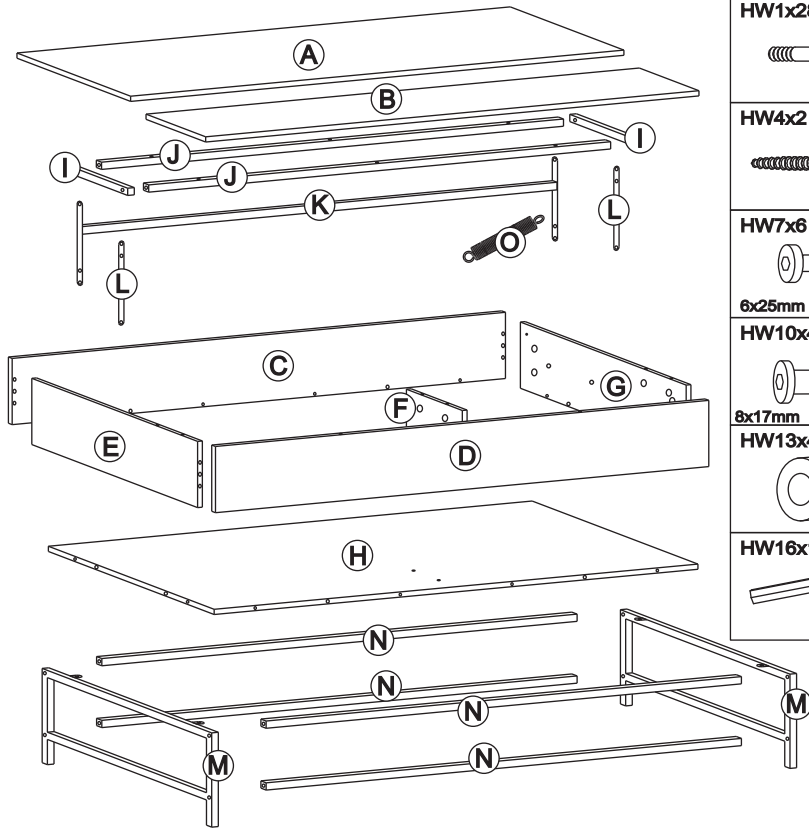
CARE AND MAINTENANCE





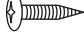

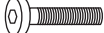
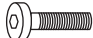

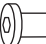
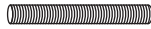





Always use felt pads under all articles to prevent discoloration or softening of the lacquer. Plastic and rubber bases on items can discolor wood. Wipe up spills immediately and avoid common hazards such as hot dishes, harsh solvents and abrasives. Cleaning should be done with a soft lint free cotton cloth dampened with water or furniture polish. On highly used surfaces we recommend applying a quality paste wax which should be used on a regular basis to provide additional protection from scratches and spills. How often you apply the wax depends on how much wear the furniture receives.

NOTICE

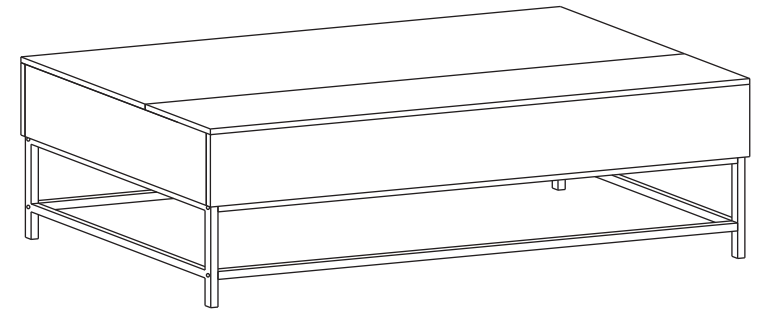
- * Please make sure that you have all parts indicated before you begin assembly of this item
- * This item should be assembled on a soft surface to prevent scratching the finish during assembly
- * This item may require periodic tightening

Part List and Hardware List



HW1x28 	HW2x28 	HW3x12 
HW4x2 	HW5x6 	HW6x8 
HW7x6 	5x14mm HW8x4 	6x45mm HW9x2 
6x25mm HW10x4 	6x20mm HW11x4 	6x12mm HW12x8 
8x17mm HW13x4 	6x50mm HW14x2 	HW15x6 
HW16x1 		

Product Dimensions: 50"W×26"D×17.8"/20.9"H



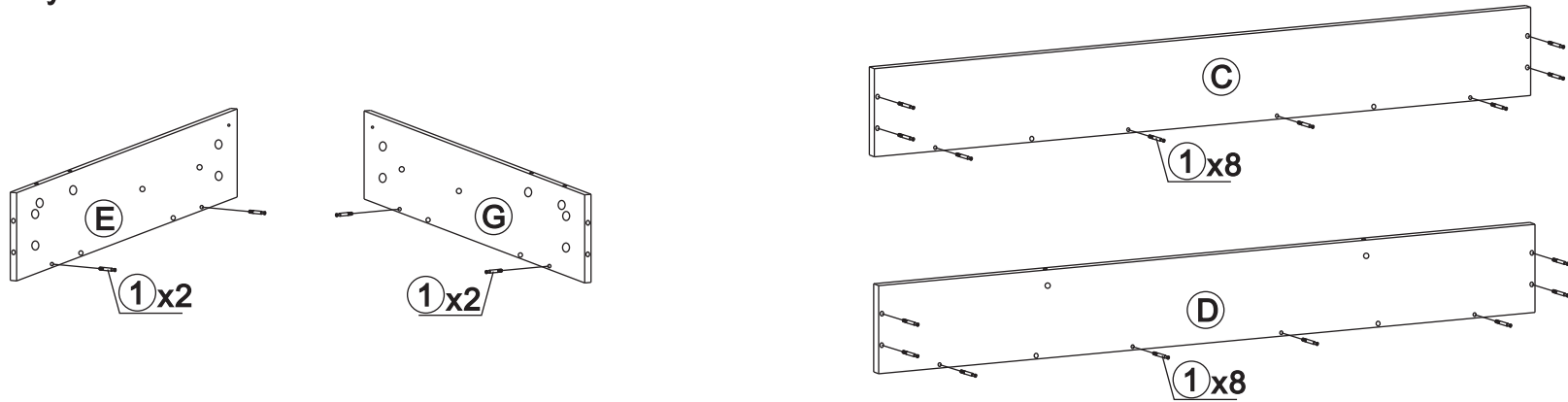
PREPARATION

Before beginning assembly of product, make sure all parts are present. Compare parts with package contents list and hardware contents list.

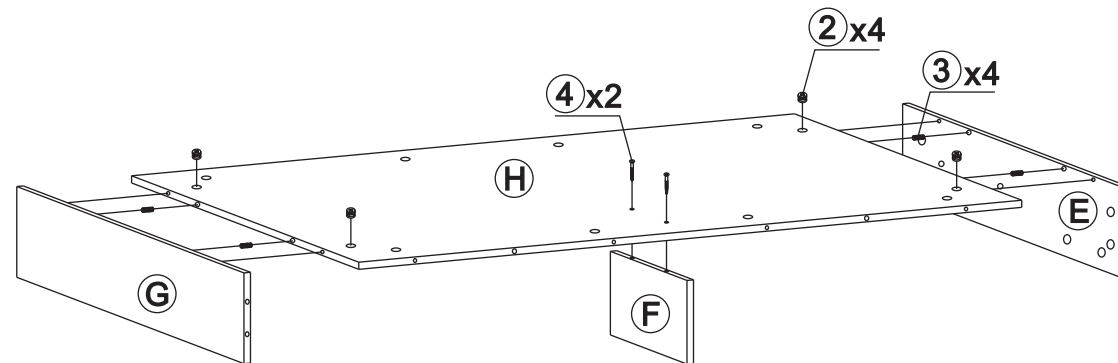
If any part is missing or damaged, do not attempt to assemble the product.

Estimated Assembly Time: 60 minutes.

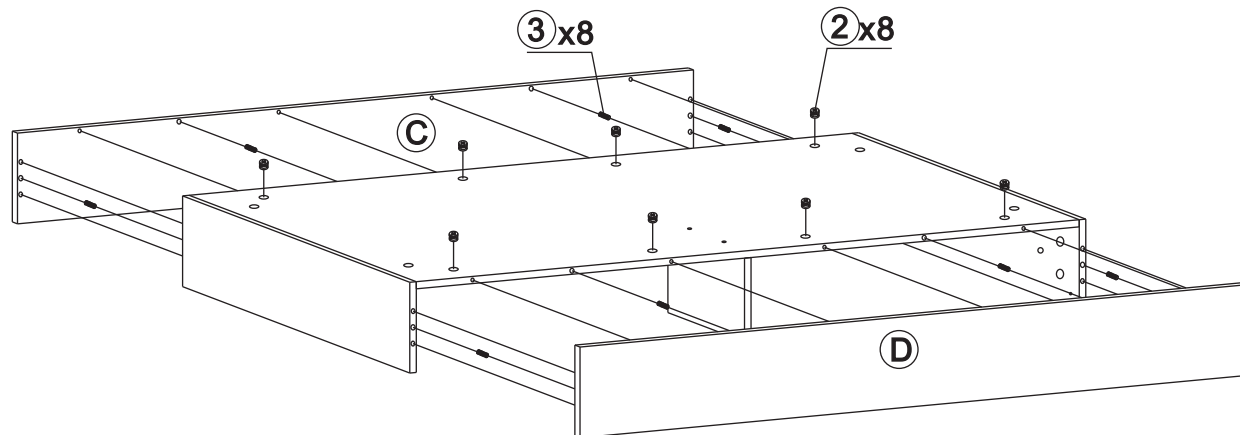
1



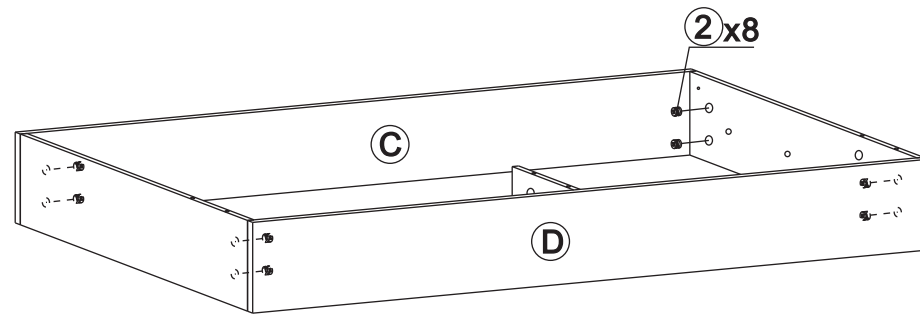
2



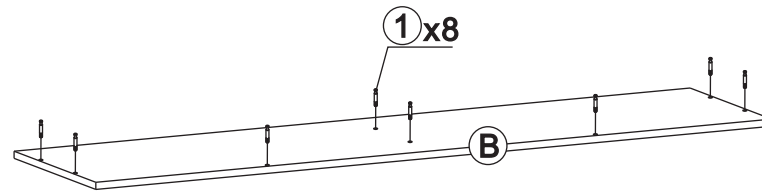
3



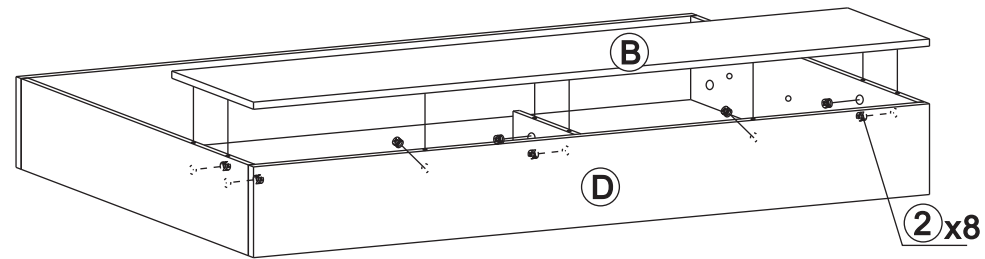
4



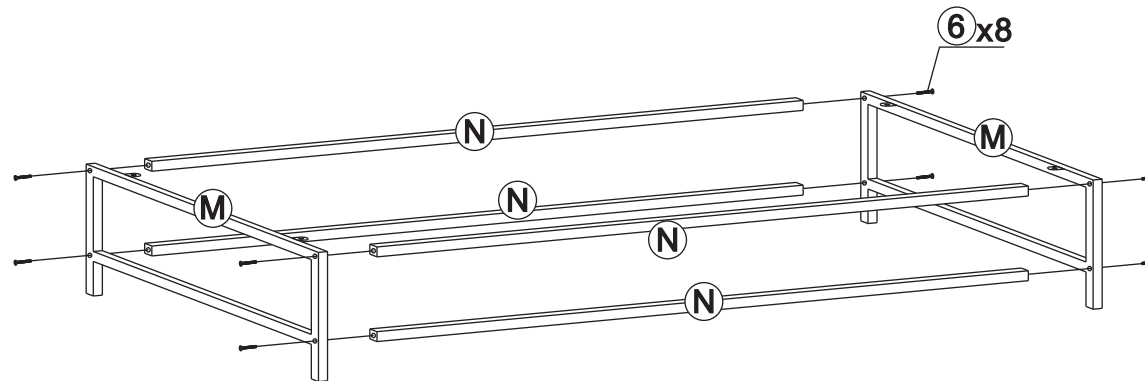
5



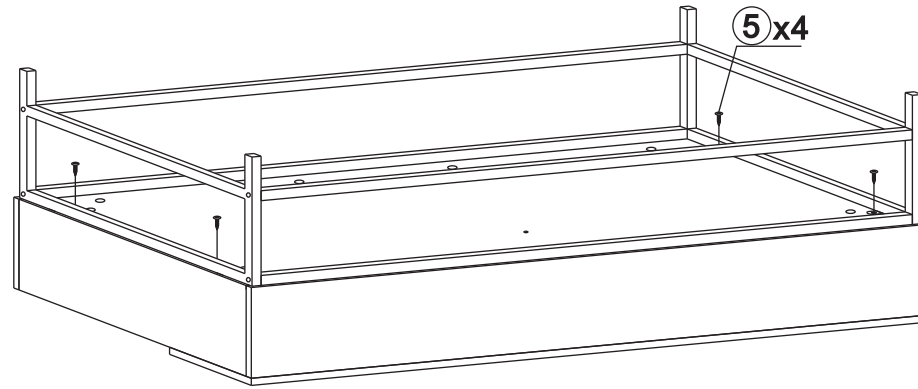
6



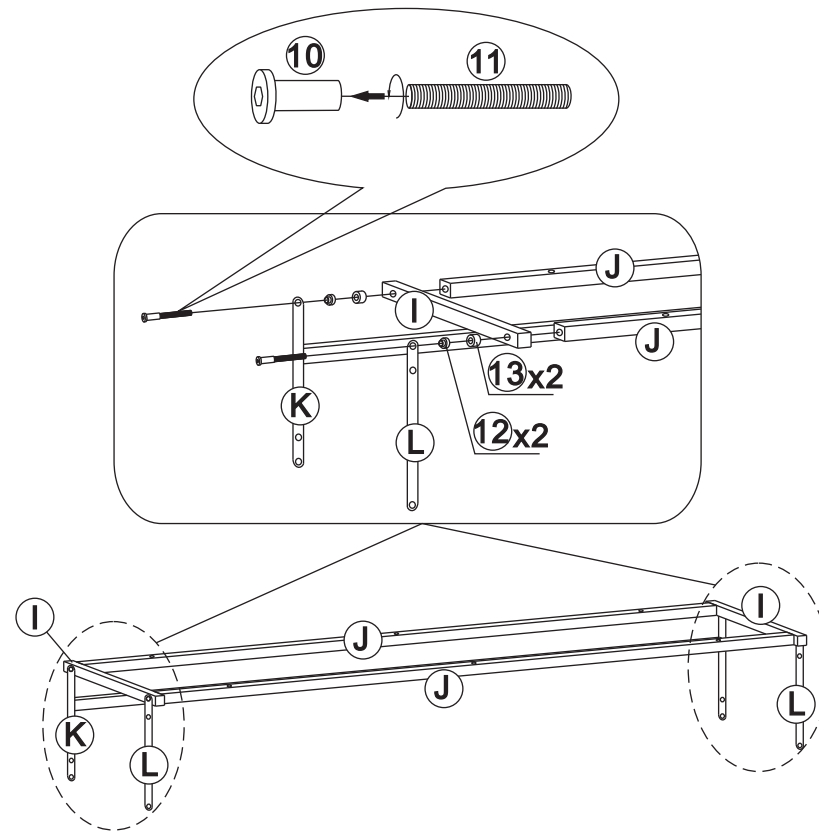
7



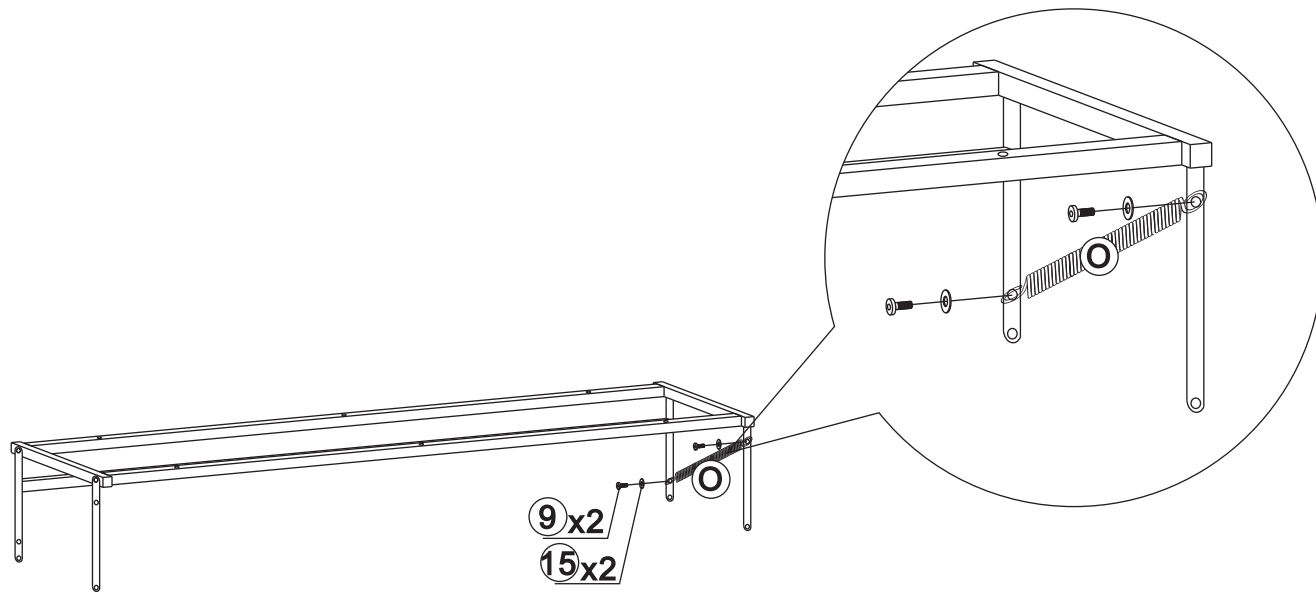
8



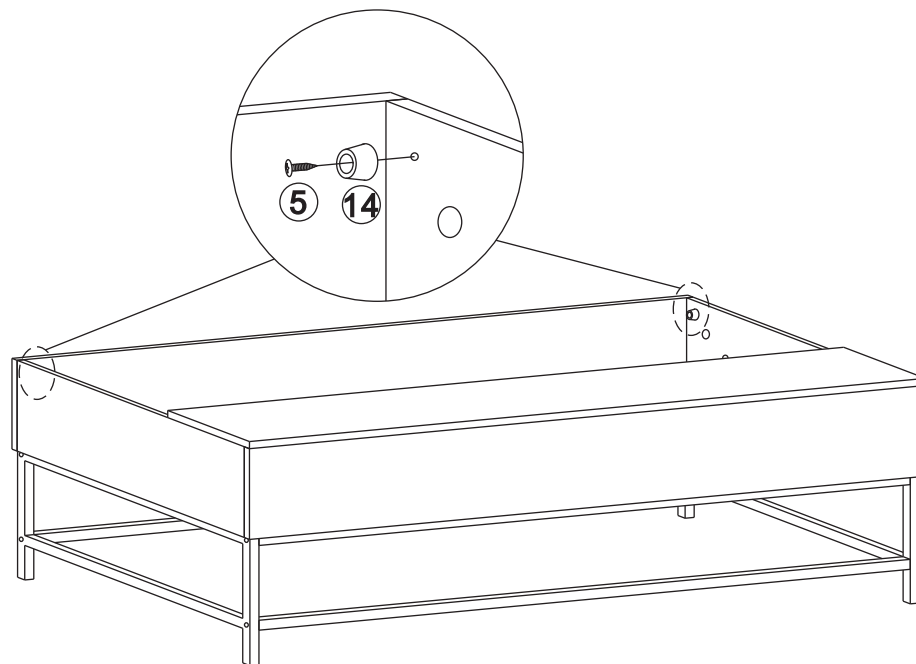
9



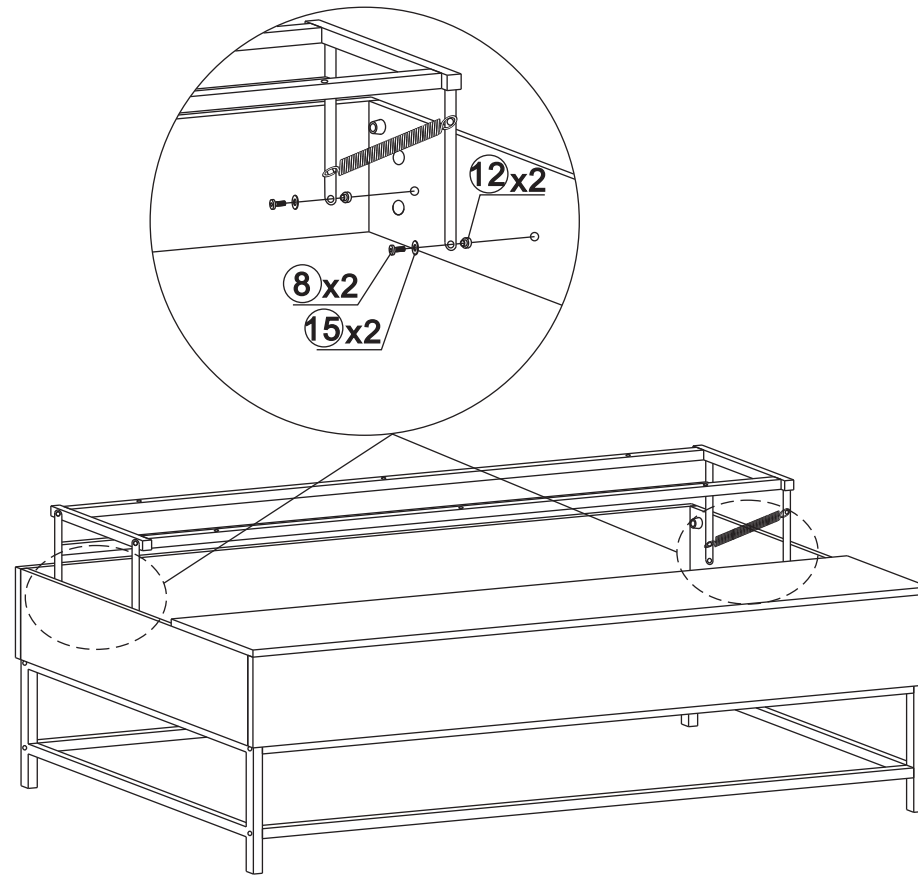
10



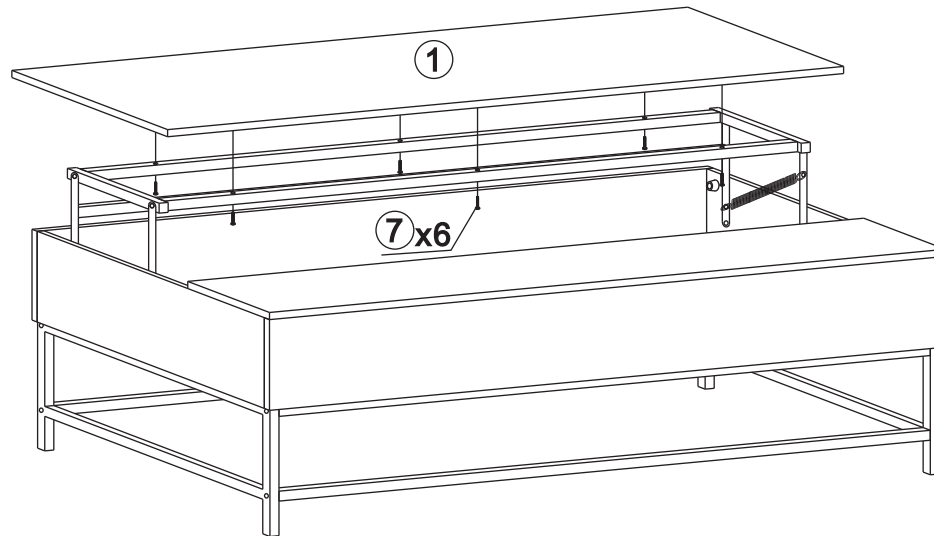
11



12



13



14



CAUTION

POSSIBLE FINGER ENTRAPMENT MAY
OCCUR WHEN OPENING AND CLOSING DESK
DRAWER
KEEP FINGERS AWAY FROM MOVING PARTS
NEVER ALLOW A CHILD TO OPEN OR CLOSE
THE DESK DRAWER

