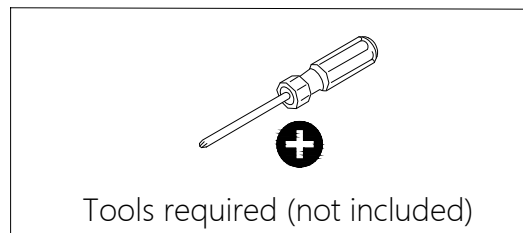
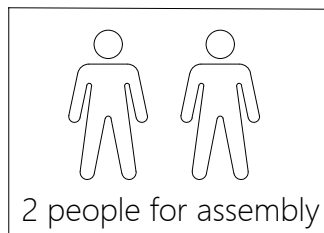
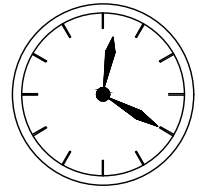
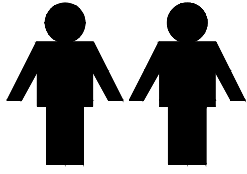
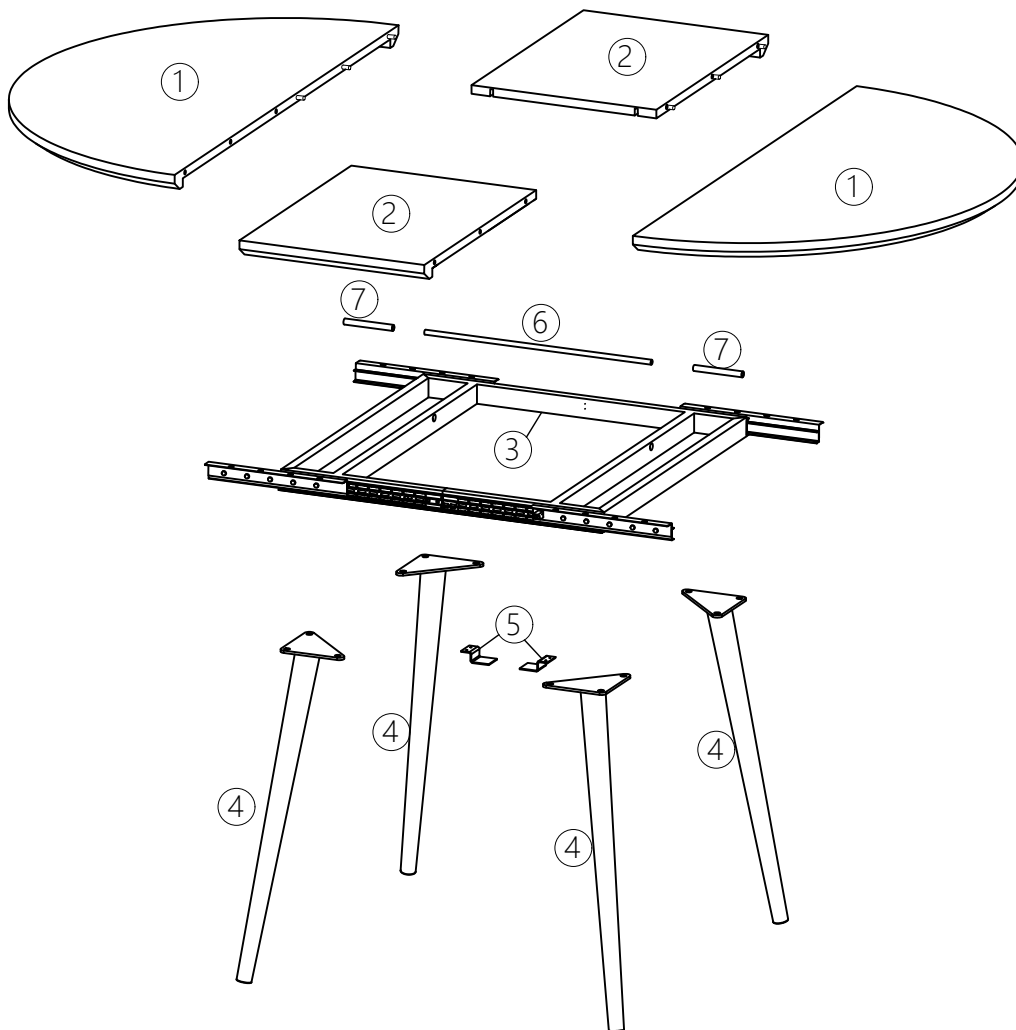
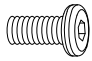
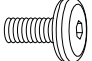
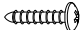
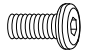
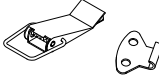
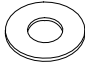


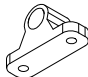
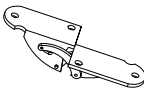

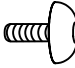


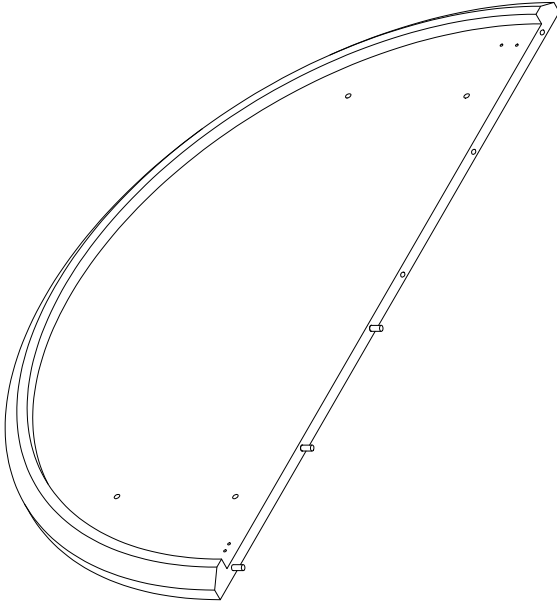
JA7394D-RDM ASSEMBLY INSTRUCTIONS



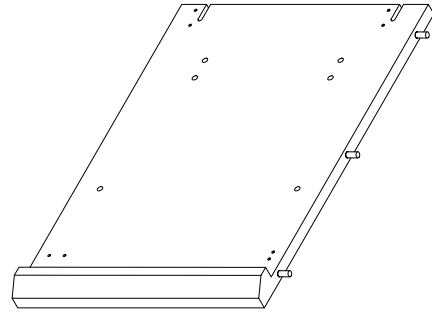


A	x 12+1	B	x 10+1	C	x 28+1	D	x 4	E	x 4	F	x 14+1
 M8x15		 M6x12		 M4x12		 M6x18				 Ø16*Ø8*1.5	
G	x 2	H	x 1	I	x 2	J	x 2	K	x 4	L	x 4
 M4		 M5						 M8x15		 M6x12	

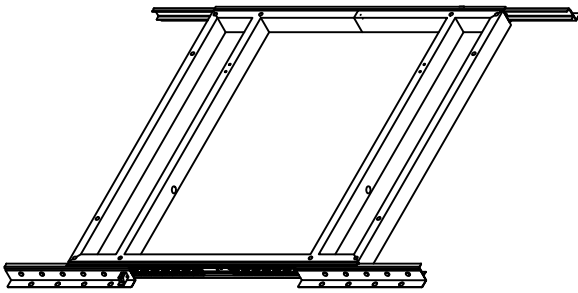
① x2pcs



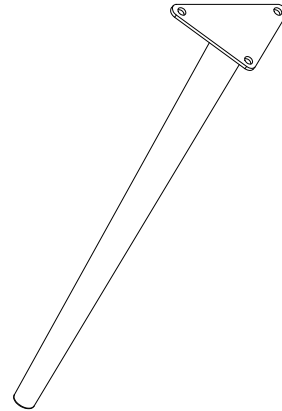
② x2pcs



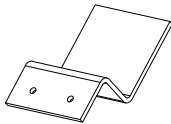
③ x1pc



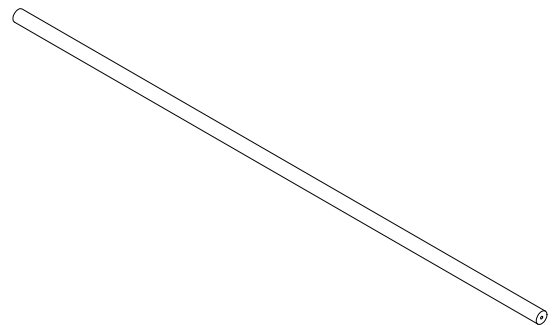
④ x4pcs



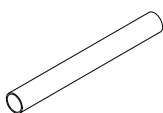
⑤ x2pcs



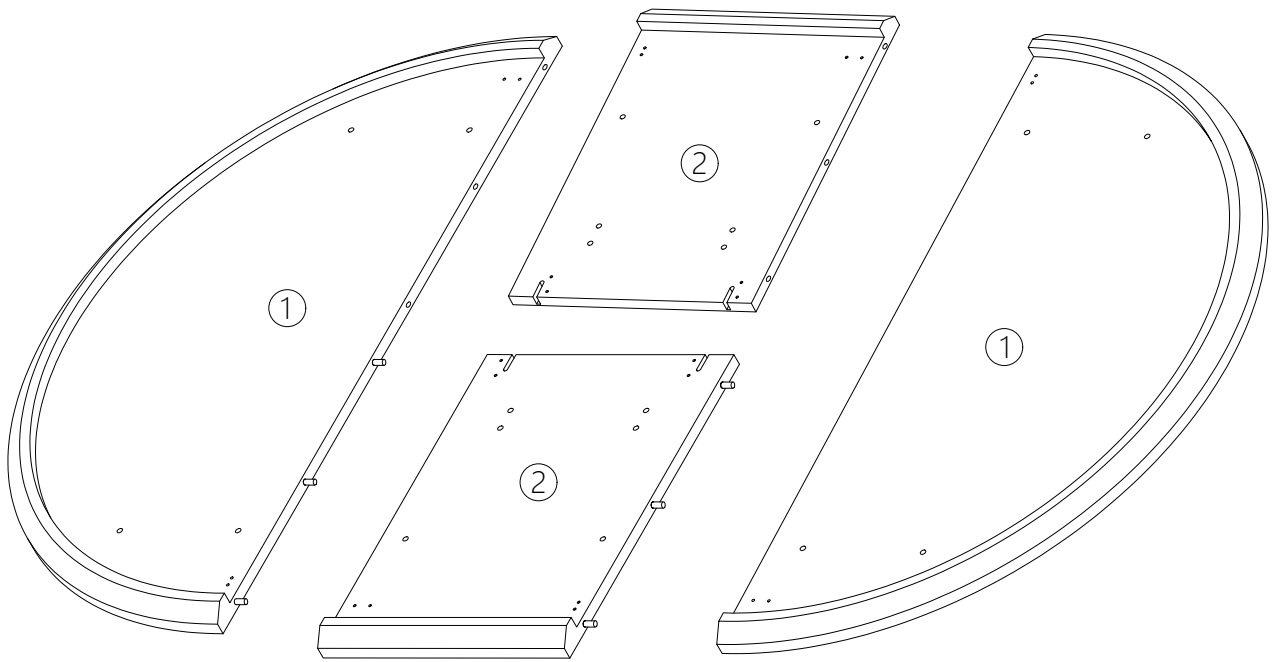
⑥ x1pc



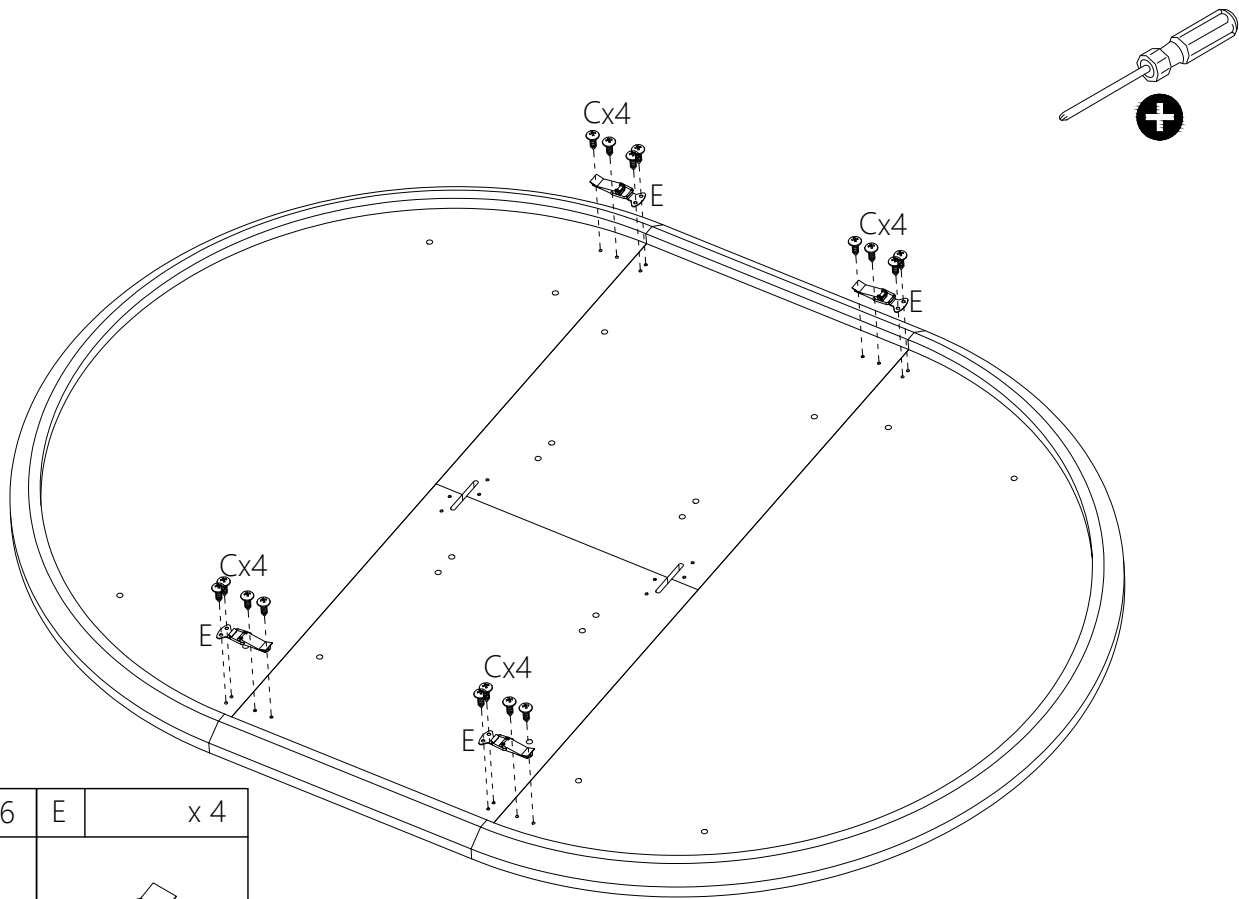
⑦ x2pcs

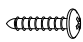
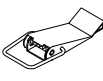



1

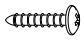
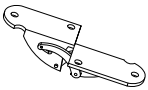
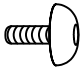


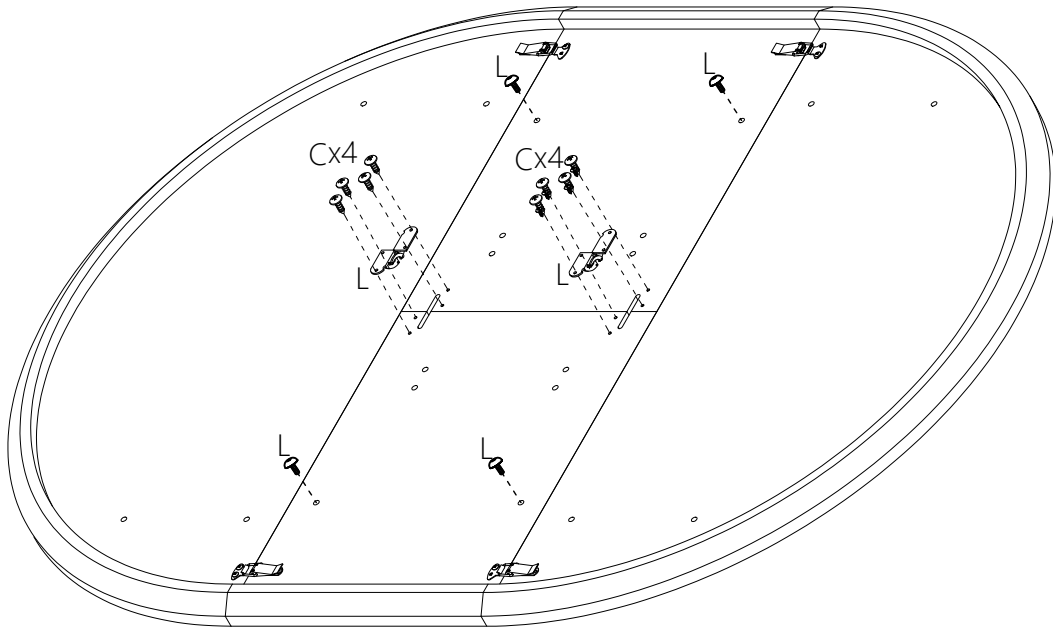
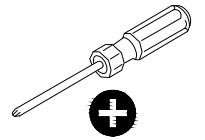
2



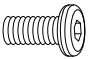
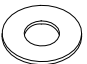

C	x 16	E	x 4
			
M4x12			

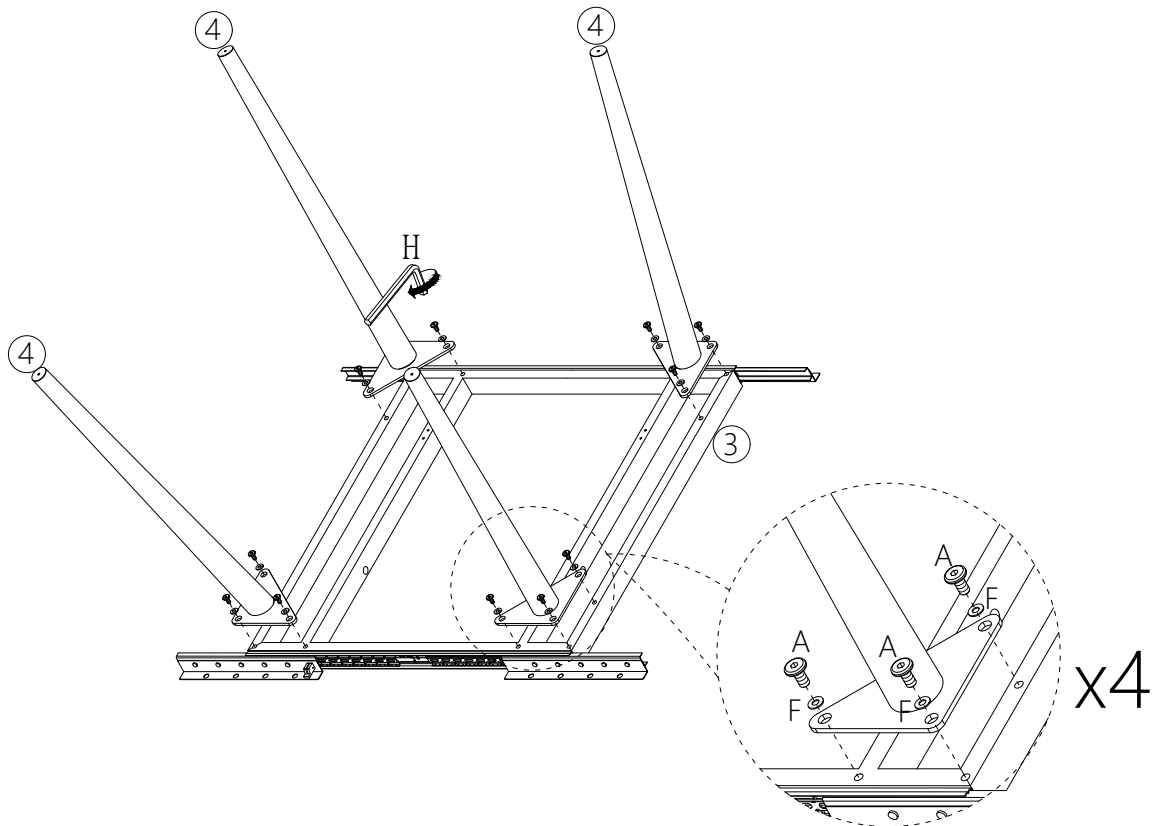
3

C	x 8	L	x 2	L	x 4
					
M4x12				M6x12	

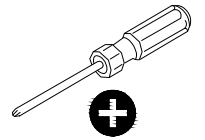
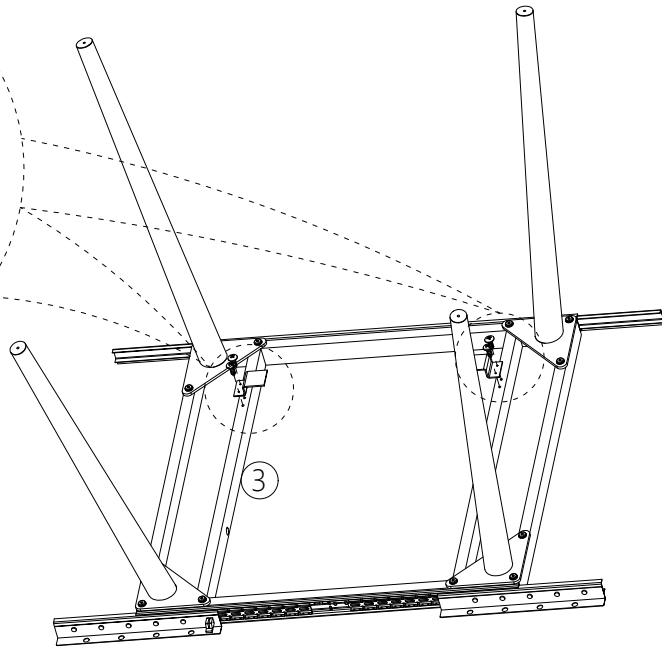
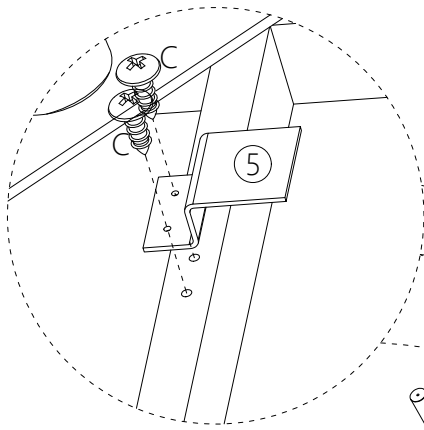


4

A	x 12
	
M8x15	
F	x 12
	
$\phi 16 * \phi 8 * 1.5$	
H	x 1
	
M5	



5



C x 4

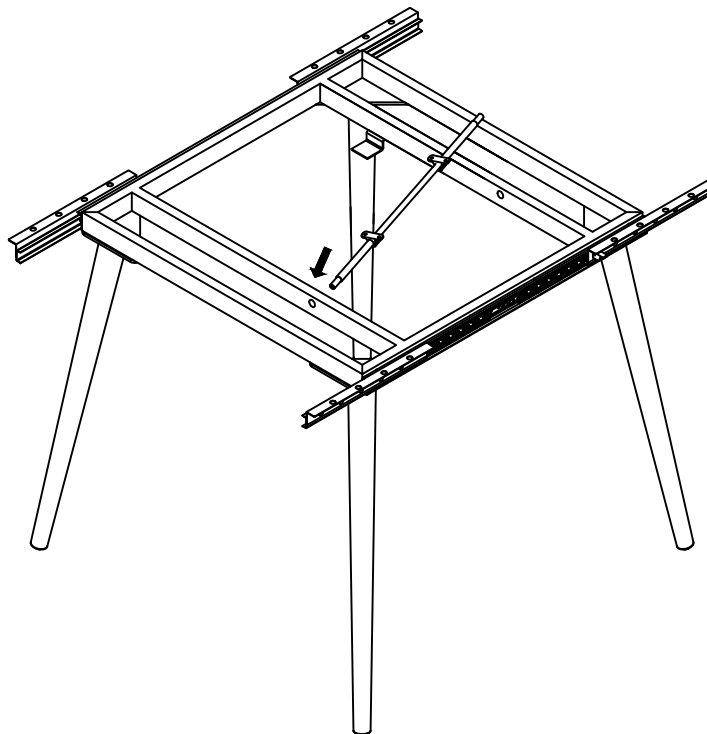
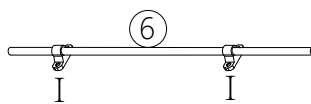


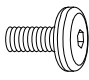
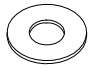

M4x12

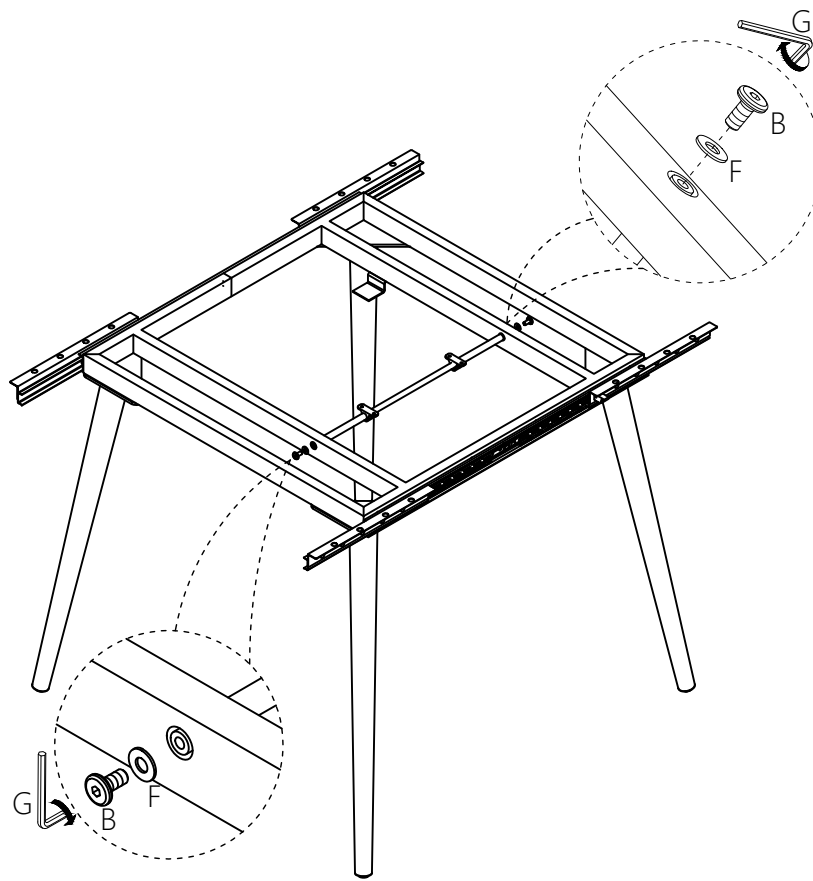
8

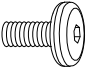

I

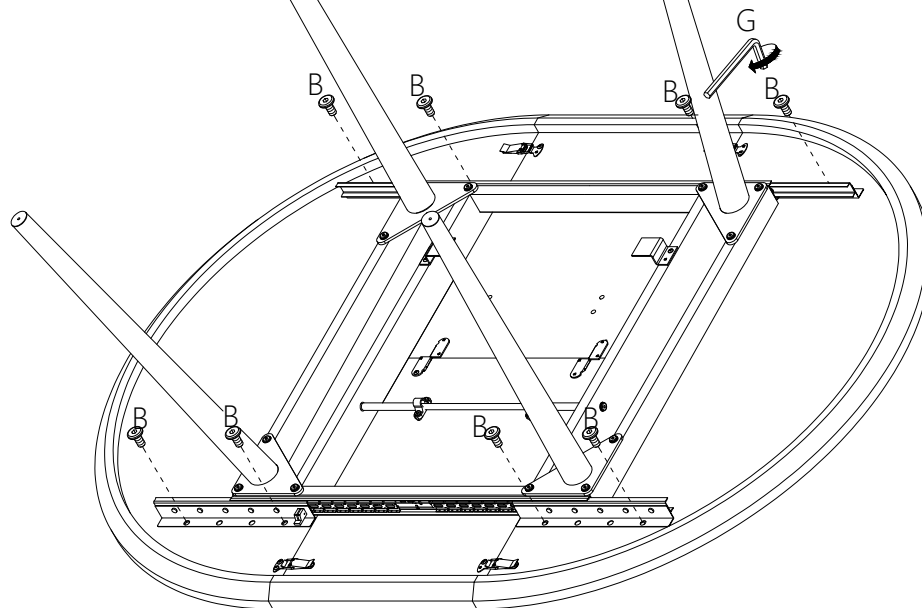
x 2



7	B	x 2
	 M6x12	
	F	x 2
	 $\phi 16 * \phi 8 * 1.5$	
	G	x 2
	 M4	



8	B	x 8
	 M6x12	
	G	x 1
	 M4	



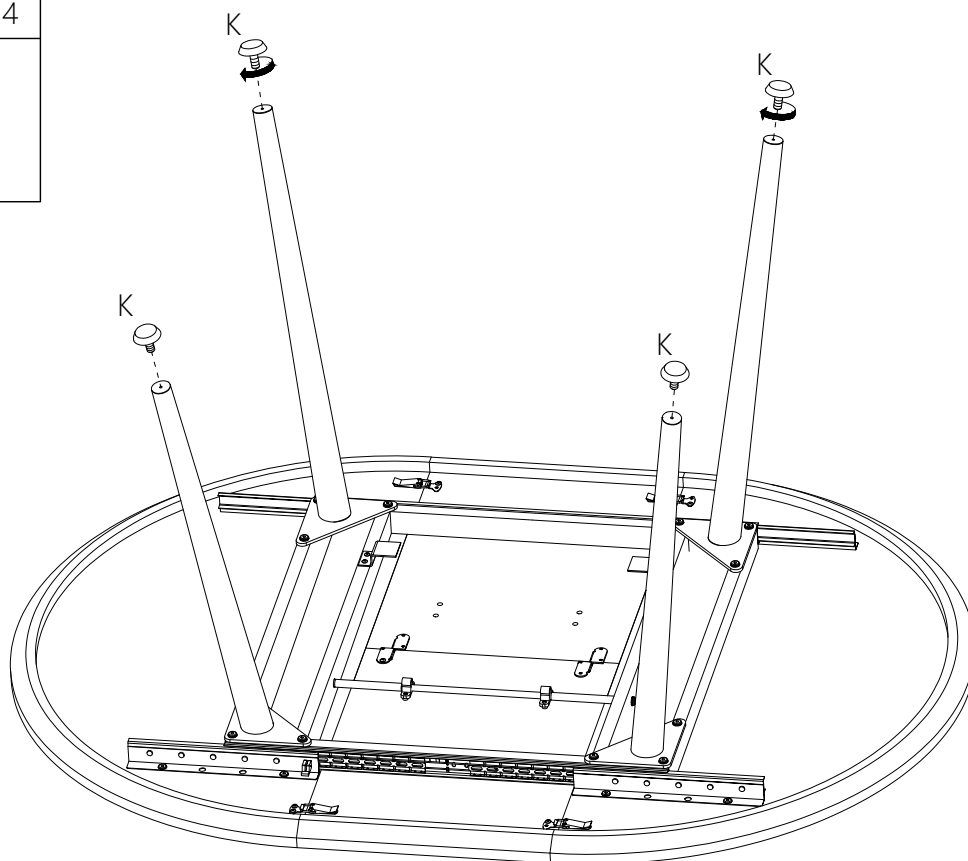
9

K

x 4



M8X15



10

D

x 4



M6x18

G

x 1



M4

