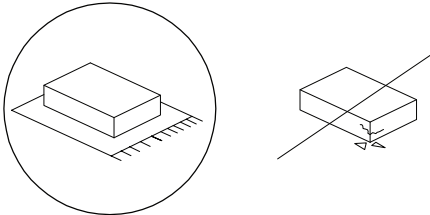

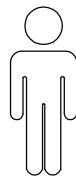
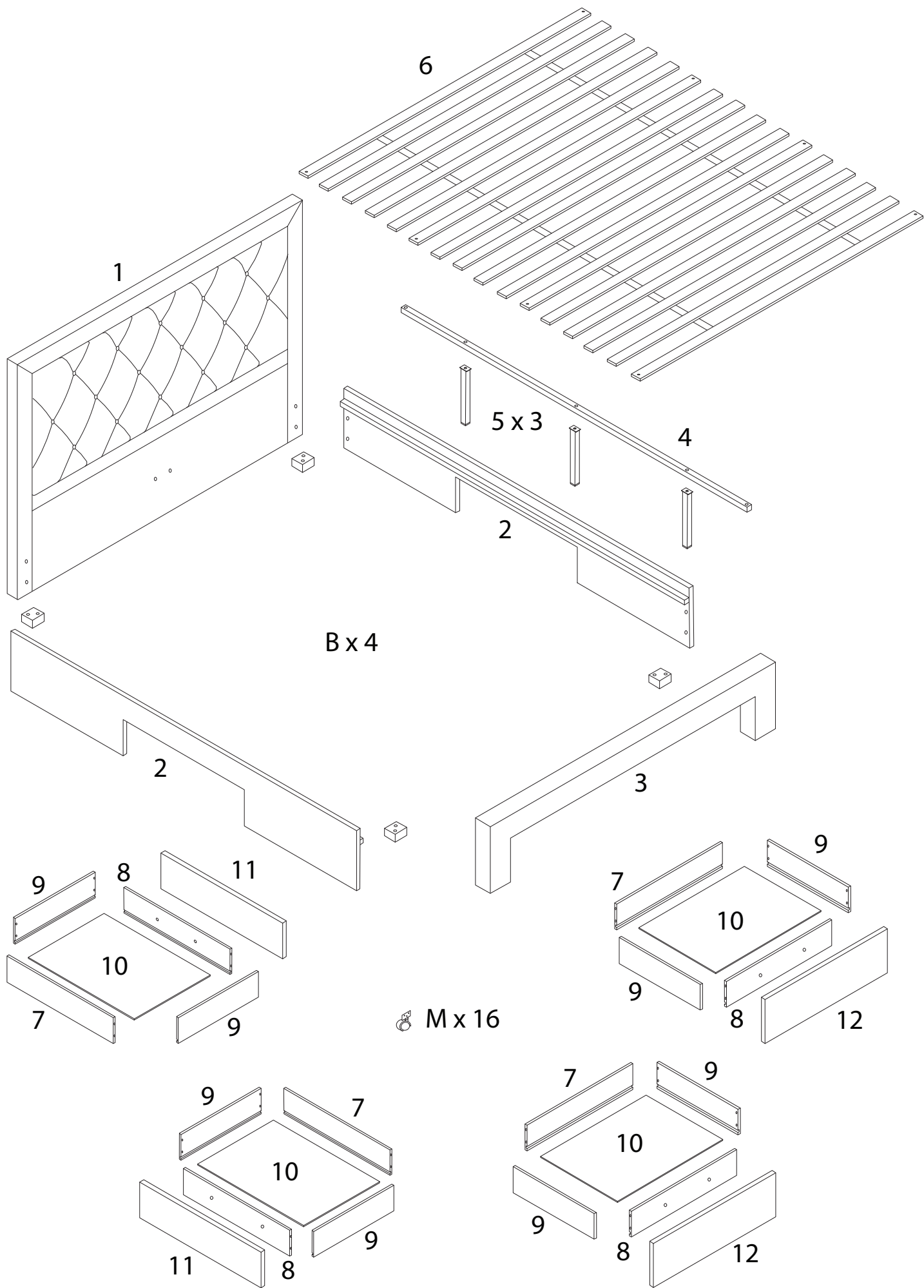
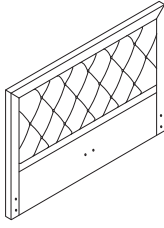

		<p>90'</p>
		
		<p>2</p>

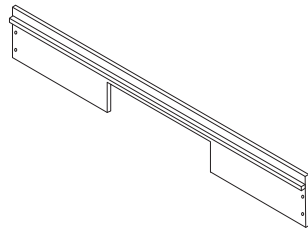


1



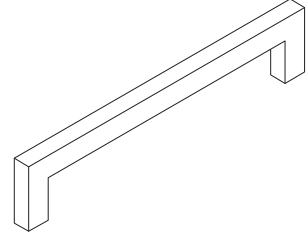
x 1

2



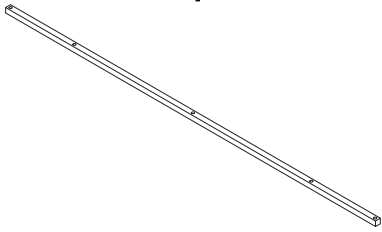
x 2

3



x 1

4



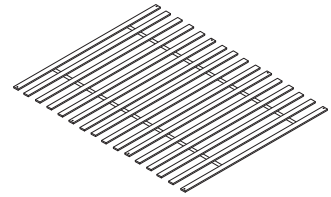
x 1

5



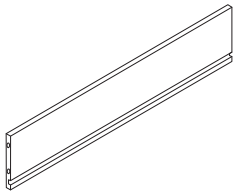
x 2

6



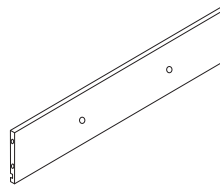
x 1

7



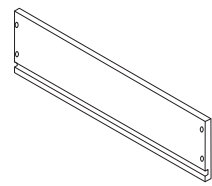
x 4

8



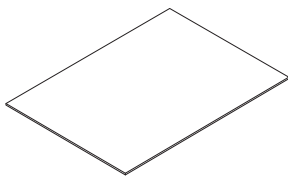
x 4

9



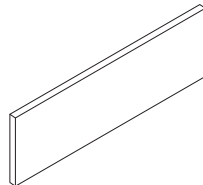
x 8

10



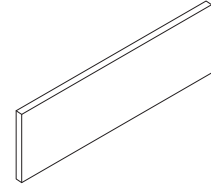
x 4

11



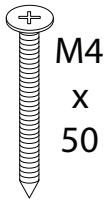
x 2

12



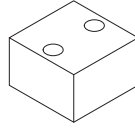
x 2

A



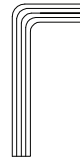
x 8

B



x 4

C



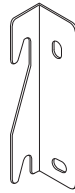
x 1

D



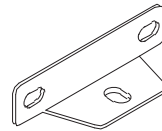
x 20

E



x 4

F



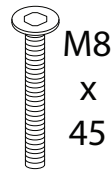
x 2

G



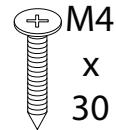
x 8

H



x 5

I



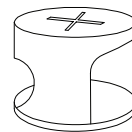
x 6

J



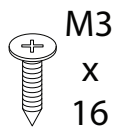
x 32

K



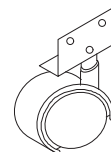
x 32

L



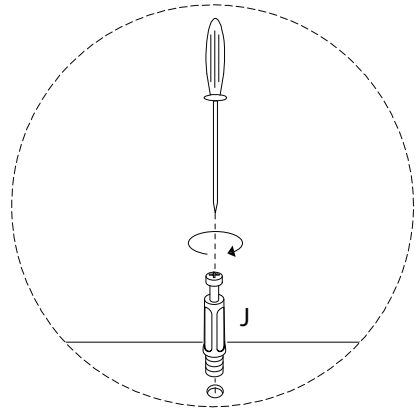
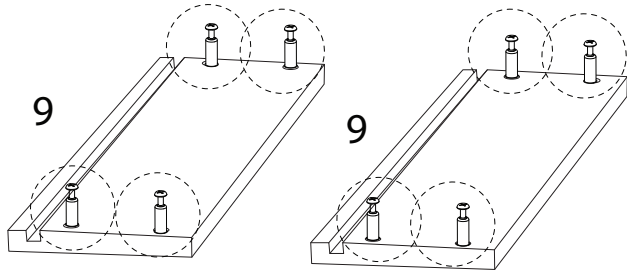
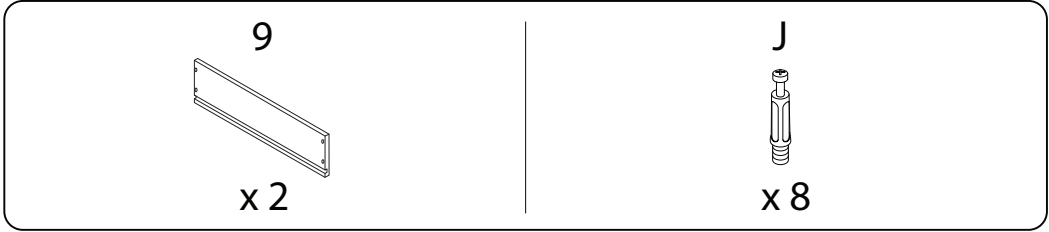
x 48

M

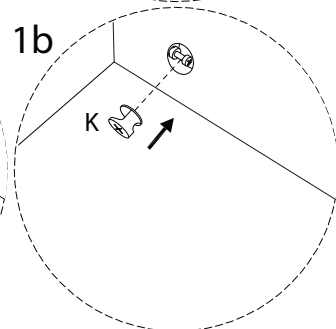
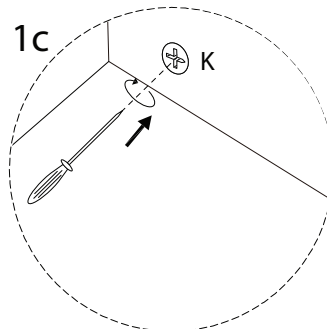
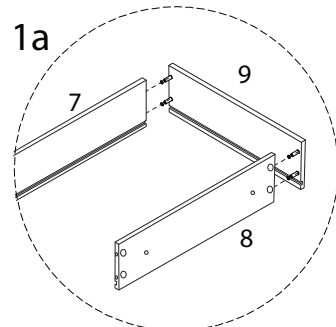
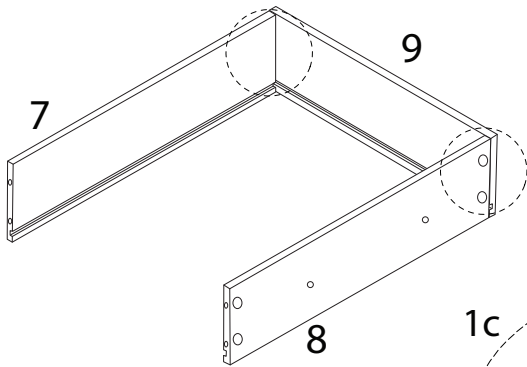
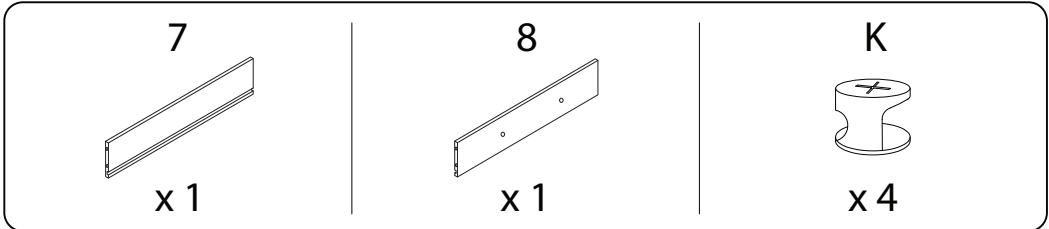


x 16

1 x 4

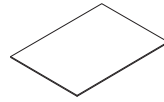


2 x 4

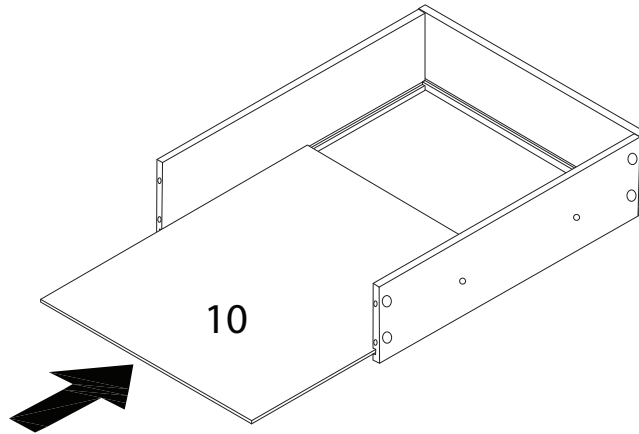


3 x 4

10



x 1

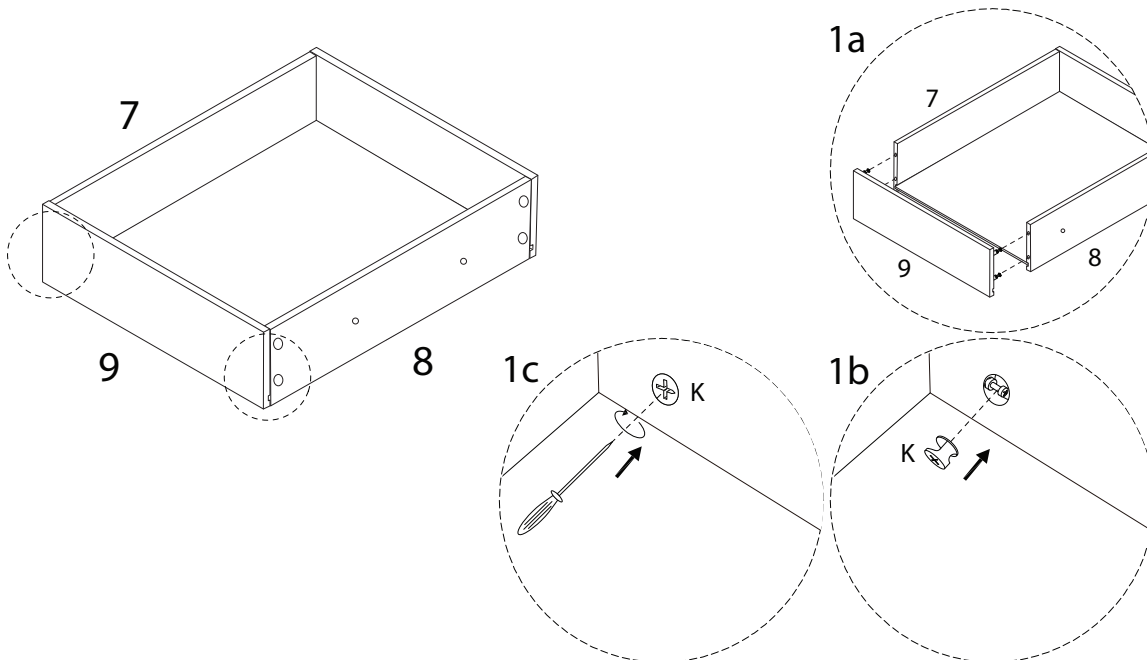


4 x 4

K



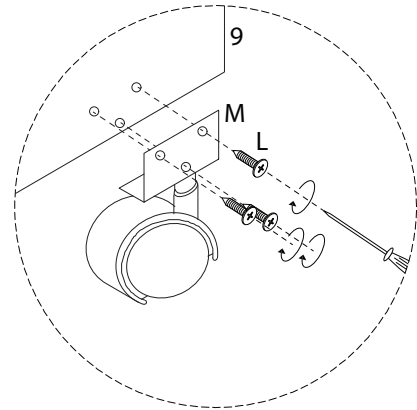
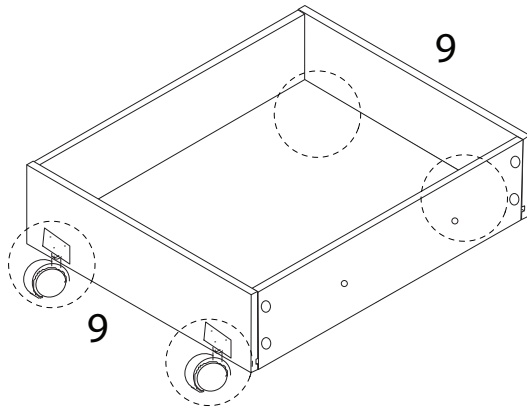
x 4



5 x 4

L  
M3  
x  
16  
x 12

M  
x 4



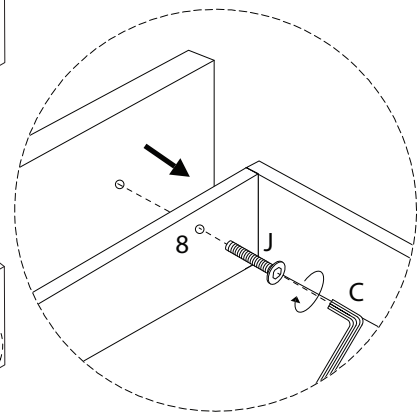
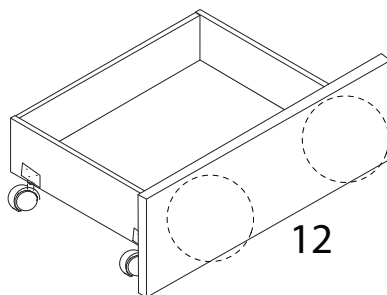
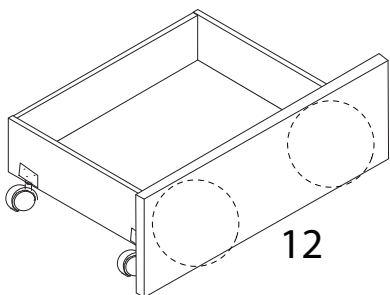
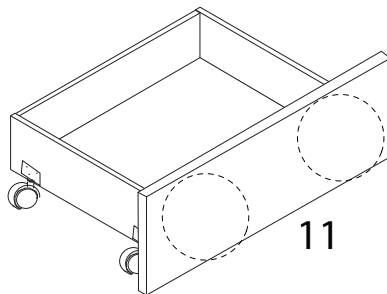
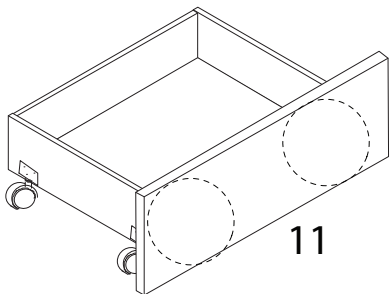
6

11  
x 2

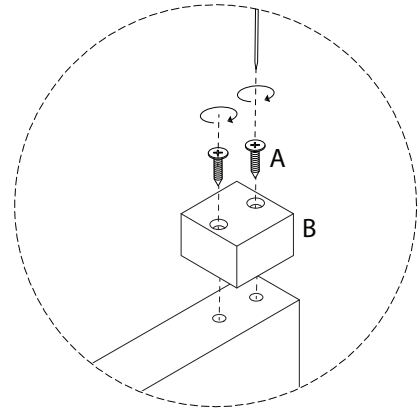
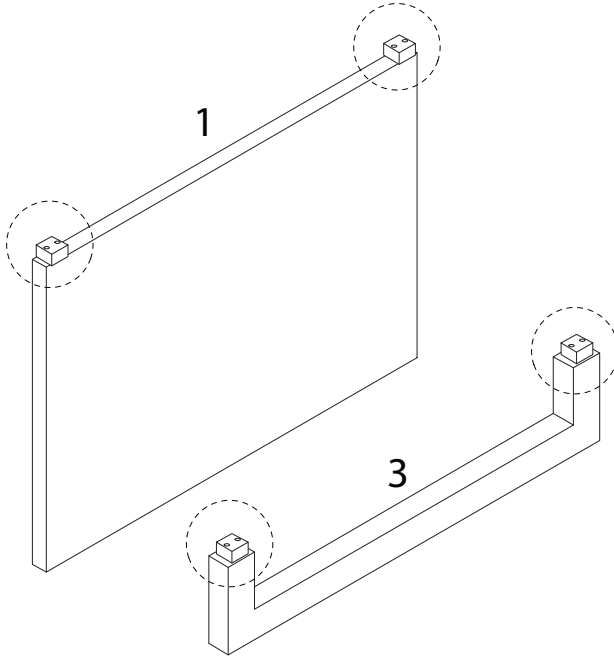
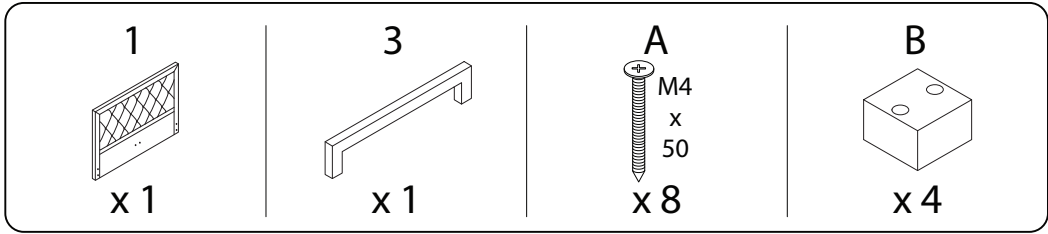
12  
x 2

C  
x 1

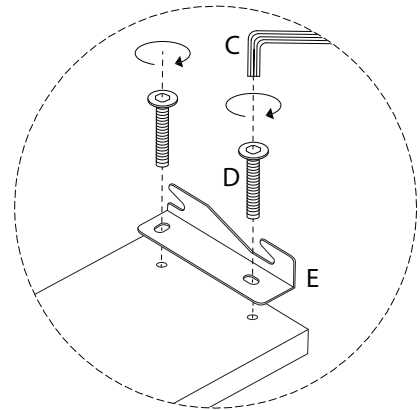
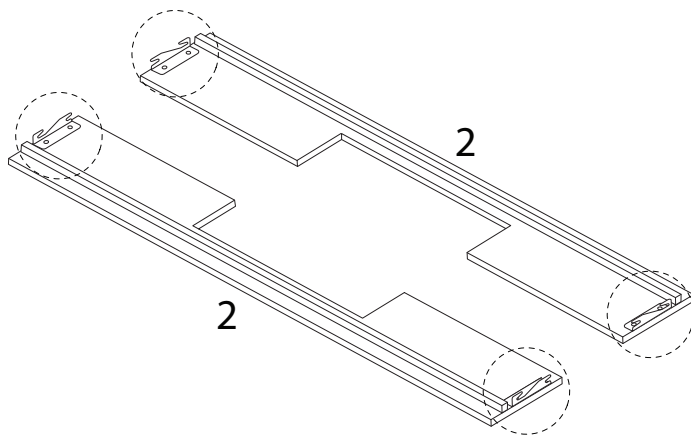
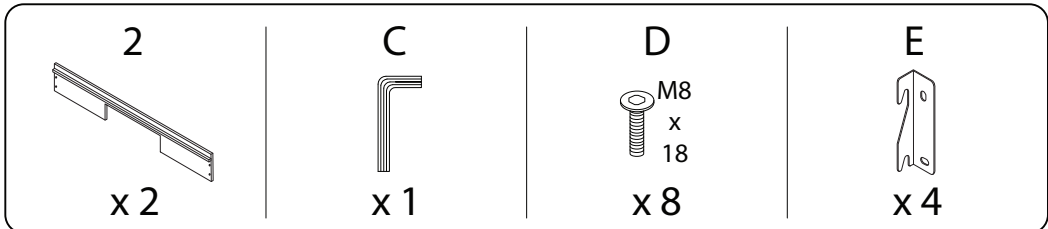
J  
M8  
x  
30  
x 8



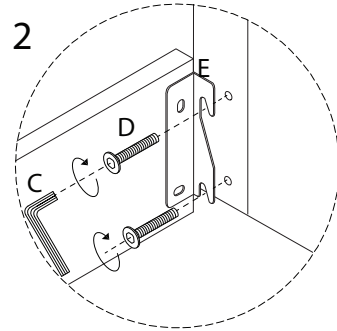
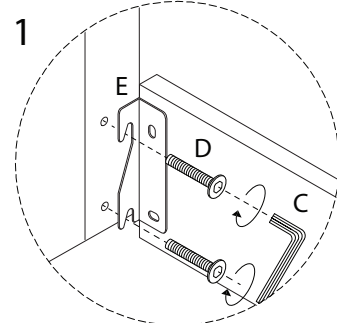
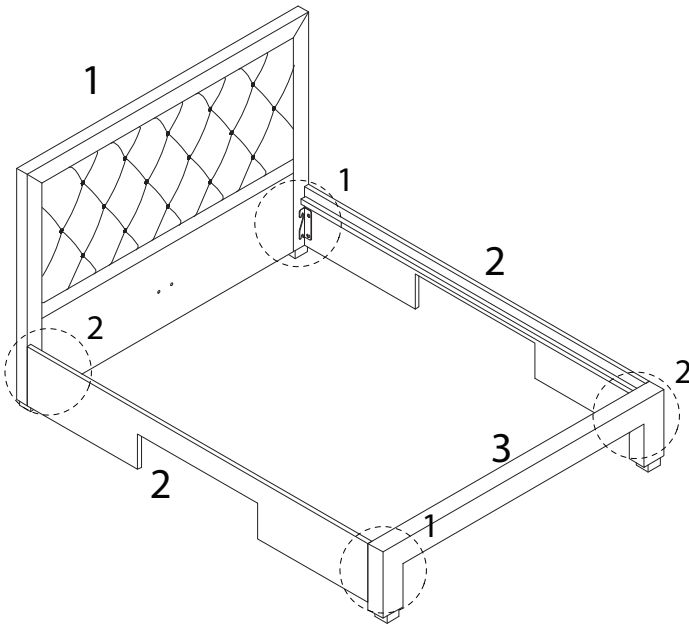
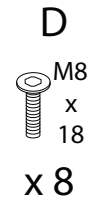
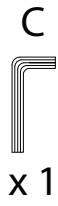
7



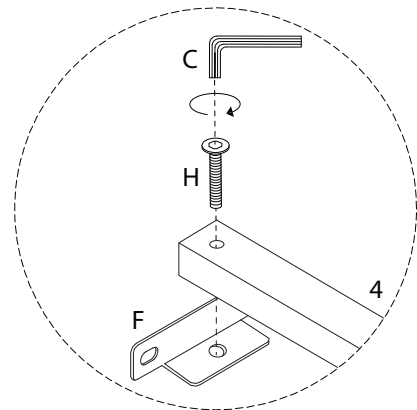
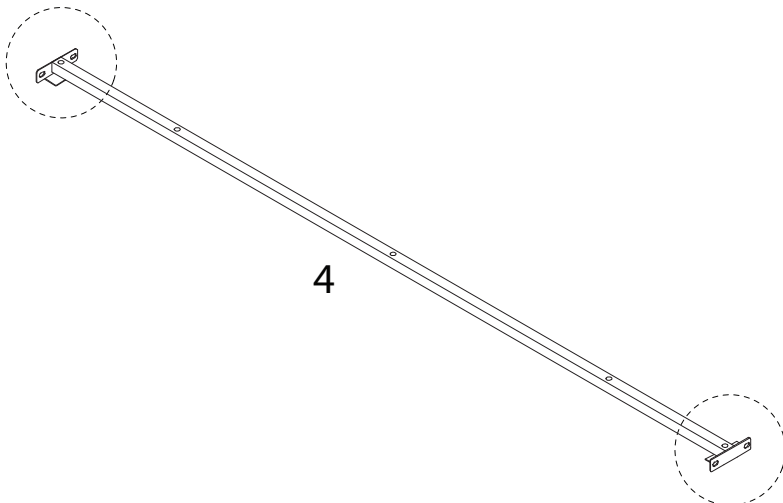
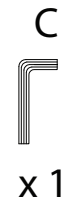
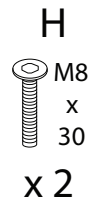
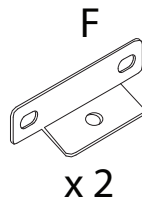
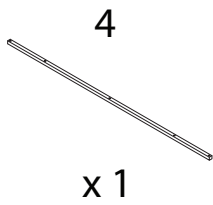
8



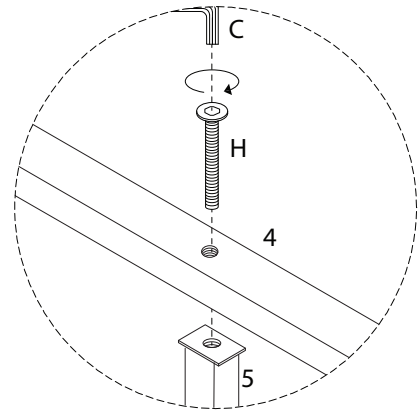
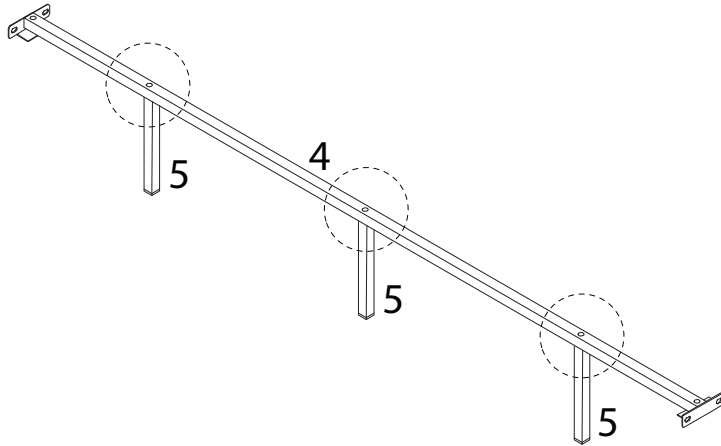
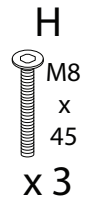
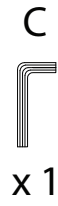
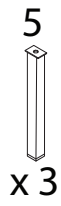
9



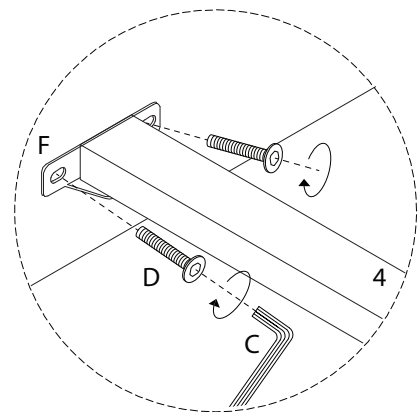
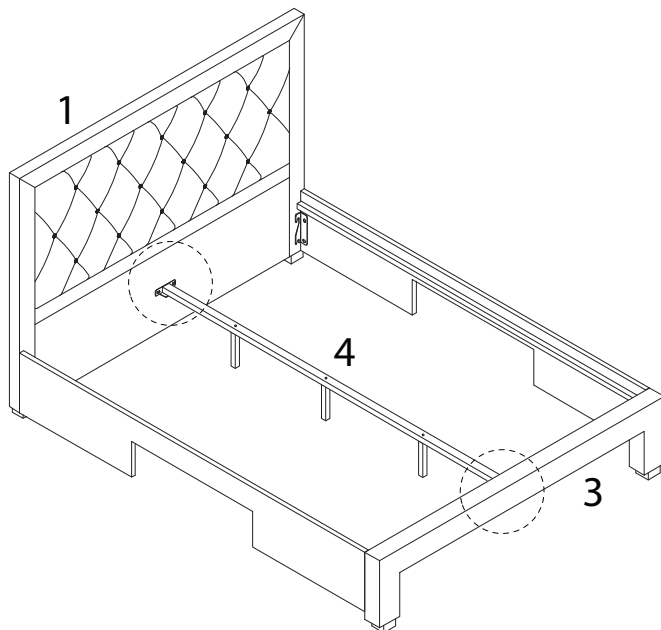
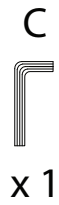
10



11

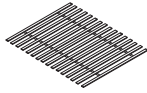


12



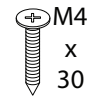
13

6

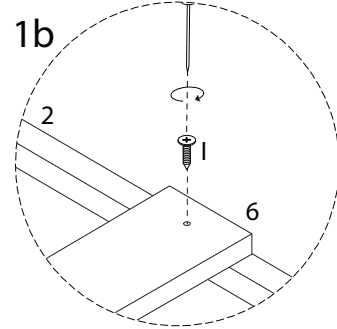
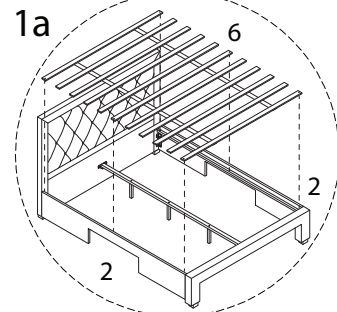
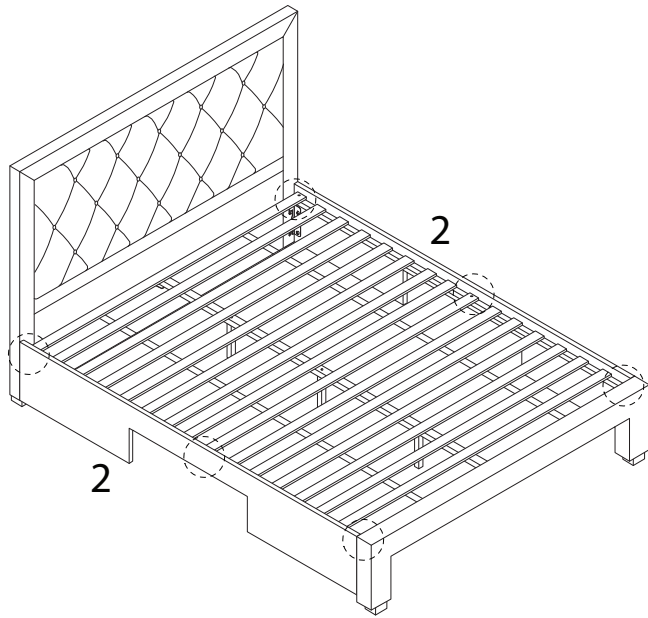


x 1

1



x 6



14

