

ASSEMBLY INSTRUCTIONS

TWIN/FULL BUNK BED WITH BOOKSHELF AND STAIR





SAFETY WARNING



1. This bed is designed for use only mattress (es) meeting the following specifications on the upper bunk, and lower bunk:

Upper bunk (Bunk bed and tribed included)

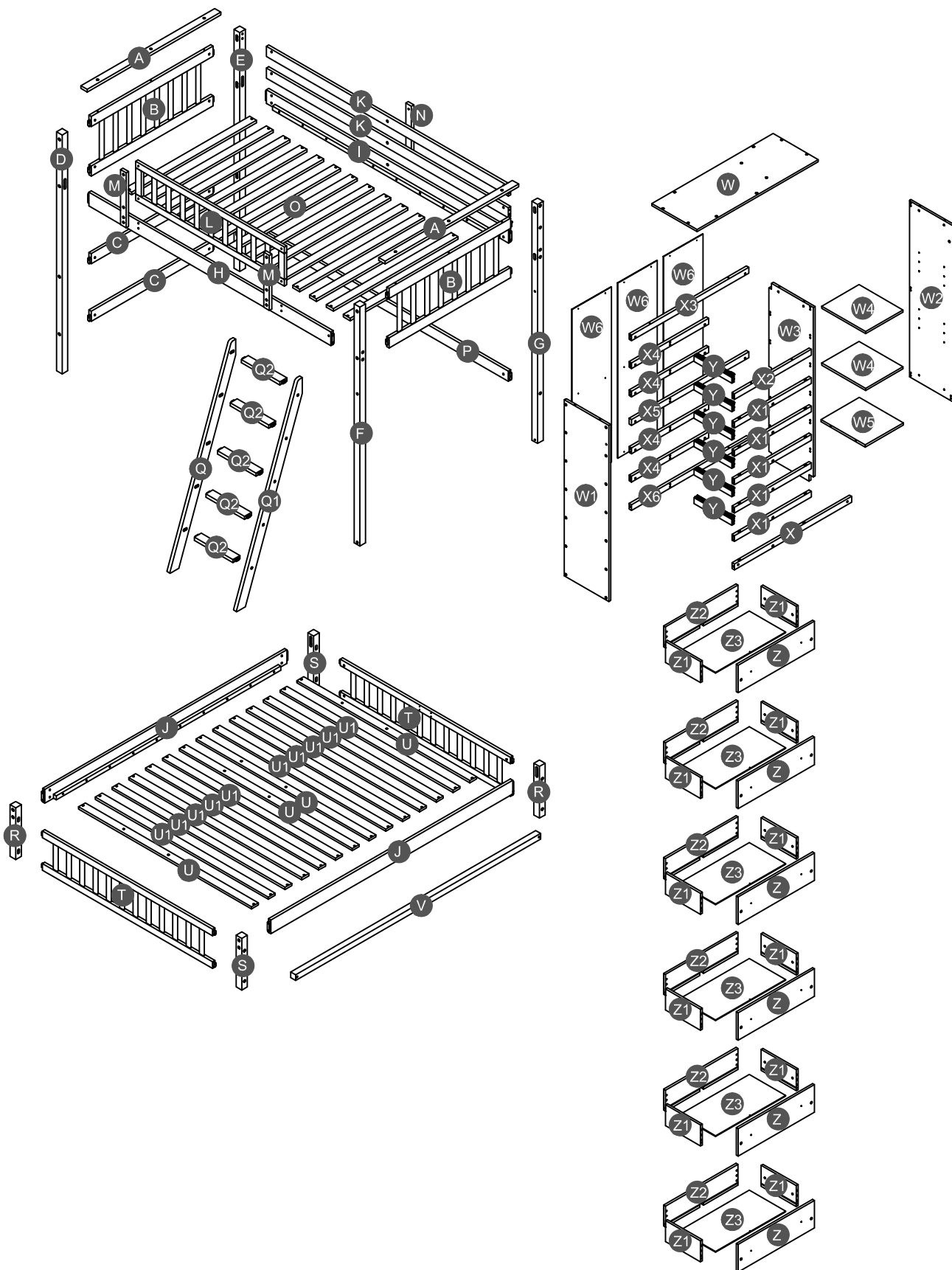
Bed type	Length	Width	Thickness
Twin Standard	74"-75"	38 1/2"	6" max

Lower bunk

Bed type	Length	Width	Thickness
Full Standard	74"-75"	54"	8"

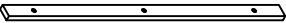
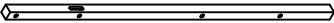
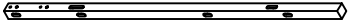
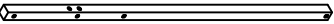
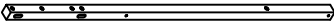


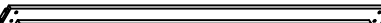

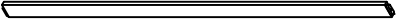
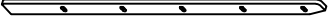
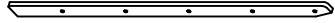
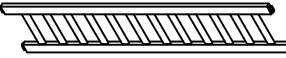
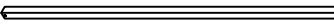
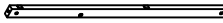

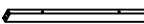
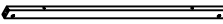

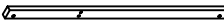
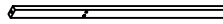

2. Replacement parts, including additional guardrails, maybe obtained from any of our dealers
3. Follow the information on the warnings appearing on the upper bunk bed end structure and on the carton. Do not remove warning label from bed.
4. Always use the recommended size mattresses or mattress supports, or both, to help prevent the likelihood of entrapment or falls.
5. Surface of mattress must be at least 5" (127mm) below the upper edge of guardrails.
6. Do not allow children under 6 years of age to use the upper bunk.
7. Periodically check and ensure that the guardrail, ladder, and other components are in their proper position, free from damage, and that all connectors are tight.
8. Do not allow horseplay on or under the bed and prohibit jumping on the bed.
9. Always use the ladder for entering and leaving the upper bunk.
10. Do not use substitute part. Contact the manufacture or dealer for replacement part.
11. Use of a night light may provide added safety precaution for a child using the upper bunk.
12. Always use guardrails on both long sides of the upper bunk. If the bunk bed will be placed next to the wall, the guardrail that runs the full length of the bed should be placed against the wall to prevent entrapment between the bed and wall.
13. The use of water or sleep flotation mattresses is prohibited.
14. STRANGULATION HAZARD - Never attach or hang items to any part of the bunk bed that are not designed for use with the bed; for example, but not limited to, hook, belts and jump ropes.
15. Keep these instruction for future reference.
16. Prohibit more than one person on upper bunk
17. We recommend assembling your bunk bed on the shipping carton to protect your floor or carpet.
18. Be certain all staples are out of the box before beginning assembly on the shipping carton.

Detail View



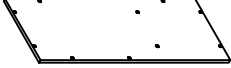
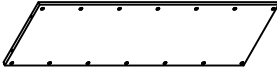



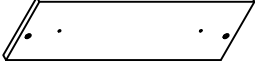


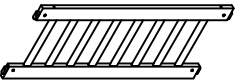
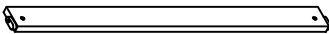
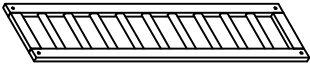
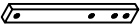

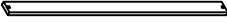
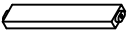
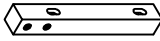
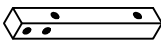
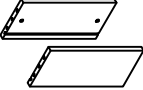

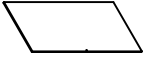
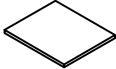
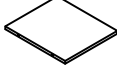
Part List

Hardware List

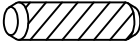
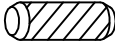

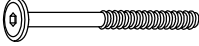
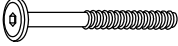







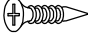
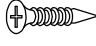




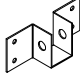

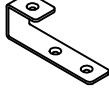


<p>A</p>  <p>Cap for upper HB/FB - 2pcs</p>	<p>D</p>  <p>Leg (Left Front) - 1pc</p>	<p>E</p>  <p>Leg (Left Back) - 1pc</p>
<p>F</p>  <p>Leg (Right Front) - 1pc</p>	<p>G</p>  <p>Leg (Right Back) - 1pc</p>	<p>H</p>  <p>Upper side rail (front) - 1pc</p>
<p>I</p>  <p>Upper side rail (back) - 1pc</p>	<p>J</p>  <p>Lower side rail (front-back) - 2pcs</p>	<p>K</p>  <p>Long guard rail - 2pcs</p>
<p>P</p>  <p>Lower horizontal bar (back) - 1pc</p>	<p>Q</p>  <p>Left side ladder - 1pc</p>	<p>Q1</p>  <p>Right side ladder - 1pc</p>
<p>T</p>  <p>Lower frame HB/FB - 2pcs</p>	<p>V</p>  <p>Lower support slat - 1pc</p>	<p>X</p>  <p>Lower crossbar (front) - 1pc</p>
<p>X1</p>  <p>Crossbar (front) - 5pcs</p>	<p>X2</p>  <p>Upper crossbar (front) - 1pc</p>	<p>X3</p>  <p>Upper crossbar (back) - 1pc</p>
<p>X4</p>  <p>Crossbar (back) - 4pcs</p>	<p>X5</p>  <p>Divider crossbar (back) - 1pc</p>	<p>X6</p>  <p>Lower crossbar (back) - 1pc</p>
<p>Y</p>  <p>Support drawer - 6pcs</p>		

Part List

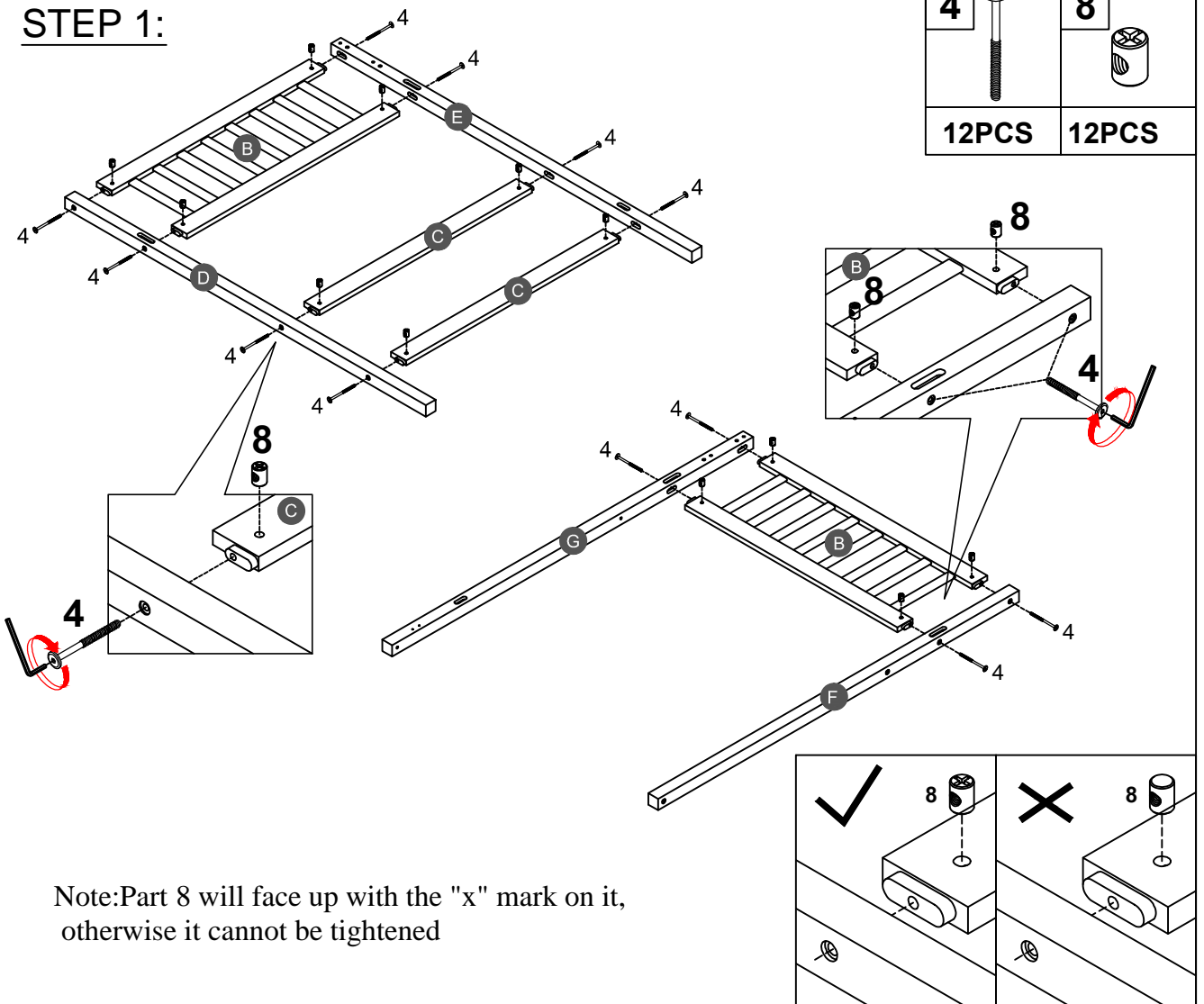
<p>U</p>  <p>Lower slat - 4pcs</p>	<p>U1</p>  <p>Lower slat - 10pcs</p>	<p>W</p>  <p>Top panel - 1pc</p>
<p>W1</p>  <p>Side panel (Left) - 1pc</p>	<p>W2</p>  <p>Side panel (Right) - 1pc</p>	<p>W3</p>  <p>Divider panel - 1pc</p>
<p>W6</p>  <p>Back panel - 3pcs</p>	<p>Z</p>  <p>Drawer front - 6pcs</p>	

<p>B</p>  <p>Upper frame HB/FB - 2pcs</p>	<p>C</p>  <p>Horizontal bar HB - 2pcs</p>	<p>L</p>  <p>Short guard rail - 1pc</p>
<p>M</p>  <p>Vertical guard rail (front) - 2pcs</p>	<p>N</p>  <p>Vertical guard rail (back) - 1pc</p>	<p>O</p>  <p>Upper slat - 14pcs</p>
<p>Q2</p>  <p>Step ladder - 5pcs</p>	<p>R</p>  <p>Short Leg (Left Back/Right Front) - 2pcs</p>	<p>S</p>  <p>Short Leg (Left Front/Right Back) - 2pcs</p>
<p>Z1</p>  <p>Drawer (left/right) - 12pcs</p>	<p>Z2</p>  <p>Drawer back - 6pcs</p>	<p>Z3</p>  <p>Drawer bottom - 6pcs</p>
<p>W4</p>  <p>Shelf panel - 2pcs</p>	<p>W5</p>  <p>Bottom panel - 1pc</p>	

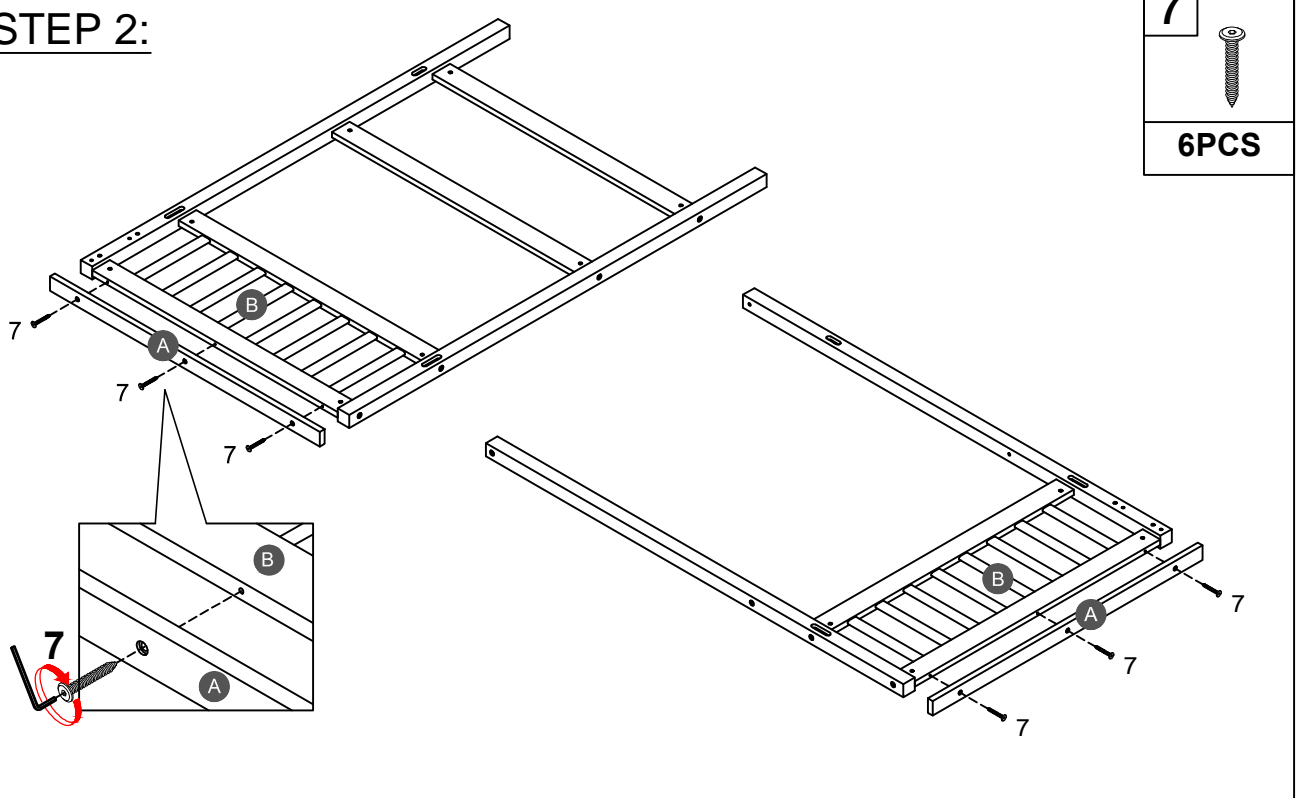
Hardware List

1  Ø10*40mm Wood dowel (4pcs)	2  Ø8*30mm Wood dowel (72pcs)	3  (Ø15)1/4"*100mm Hex-Head bolts (24pcs)
4  (Ø15)1/4"*80mm Hex-Head bolts (20pcs)	5  (Ø12)1/4"*60mm Hex-Head bolts (84pcs)	6  (Ø12)1/4"*30mm Hex-Head bolts (11pcs)
7  (Ø12)1/4"*40mm Hex-Head bolts (10pcs)	8  1/4"*15 (9.5mm) Horizontal-Hole bolts(126pcs)	9  Ø4*30mm Wood screws (60pcs)
10  (1/4")4.5*58mm Allen key (2pcs)	11  Ø38*31mm Pine Knob (12pcs)	12  3/16"*25mm Ph zinc(Knob) (12pcs)
13  295*30mm Upper slider drawer (6pcs)	14  Ø3.5*15mm Wood screws (18pcs)	15  Ø4*19mm Wood screws (10pcs)
16  Ø3.5*15mm Wood screws (26pcs)	17  64*52*95mm Castor (2pcs)	18  64*52*95mm Castor (2pcs)
19  (Ø13)1/4"*14mm Connect bolt (2pcs)	20  116*40*27mm Metal bracket (2pcs)	21  (Ø12)1/4"*40mm Hex-Head bolts (2pcs)
22  50*24*24*2mm Metal bracket (4pcs)	23  29*16*14mm(Ø6) Shelf pin (8pcs)	24  81*26*21*(2.5mm) Hooks (2pcs)
25  21*21*17*1.7mm Metal bracket (2pcs)	<div style="display: flex; align-items: center; justify-content: center;">  <div style="border: 1px solid black; padding: 5px; text-align: center;"> <p>ASSEMBLY TOOLS REQUIRED (NOT INCLUDED)</p>  </div> </div> <p style="text-align: center; margin-top: 10px;">PLEASE BE CAREFUL DO NOT DAMAGE THE HOLE POSITION WHEN YOU USE POWER TOOLS !</p>	




STEP 1:

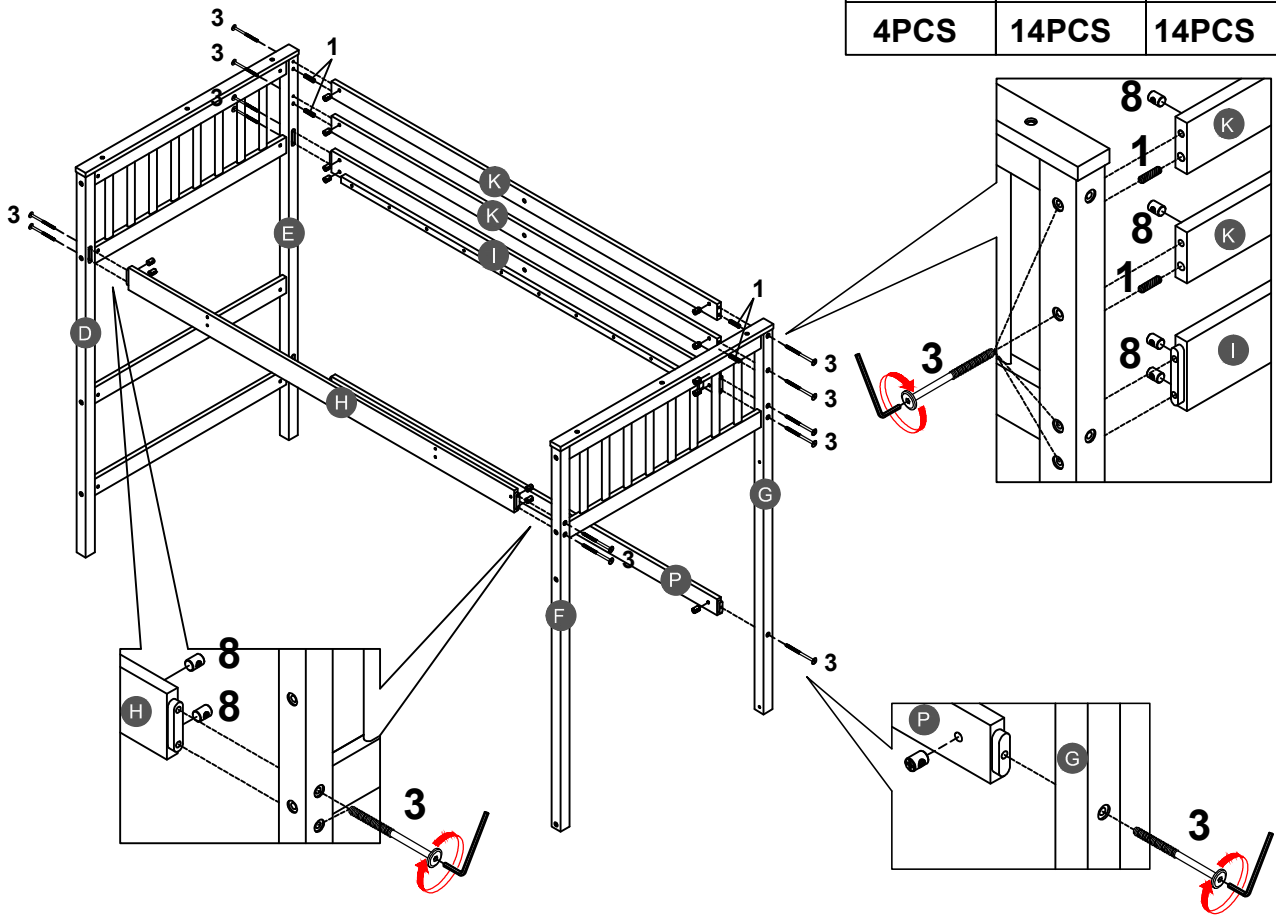


STEP 2:




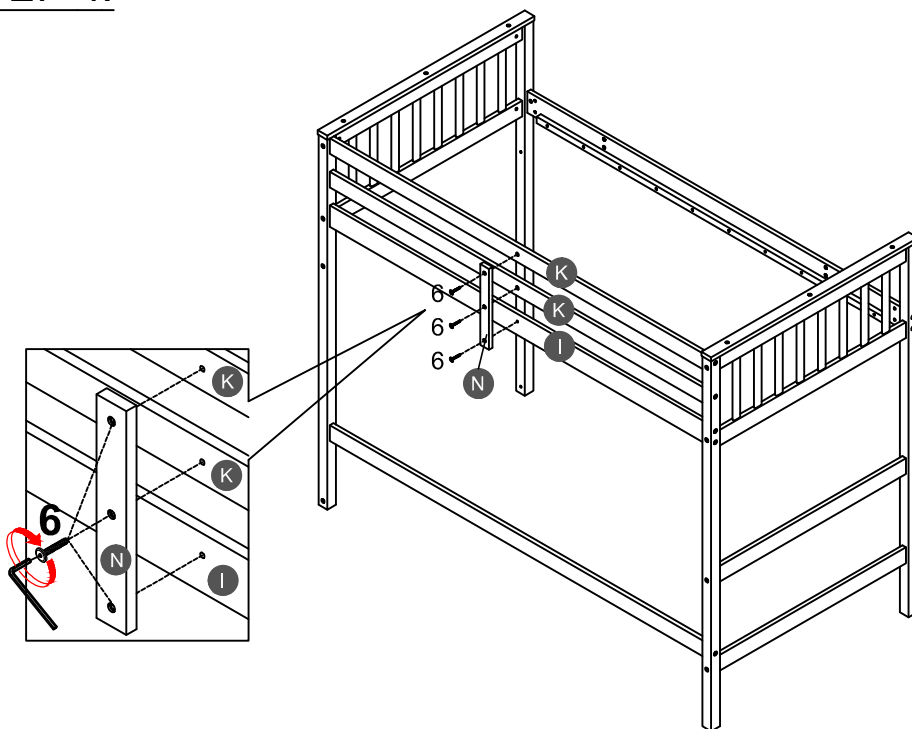
STEP 3:

1		3		8	
4PCS		14PCS		14PCS	

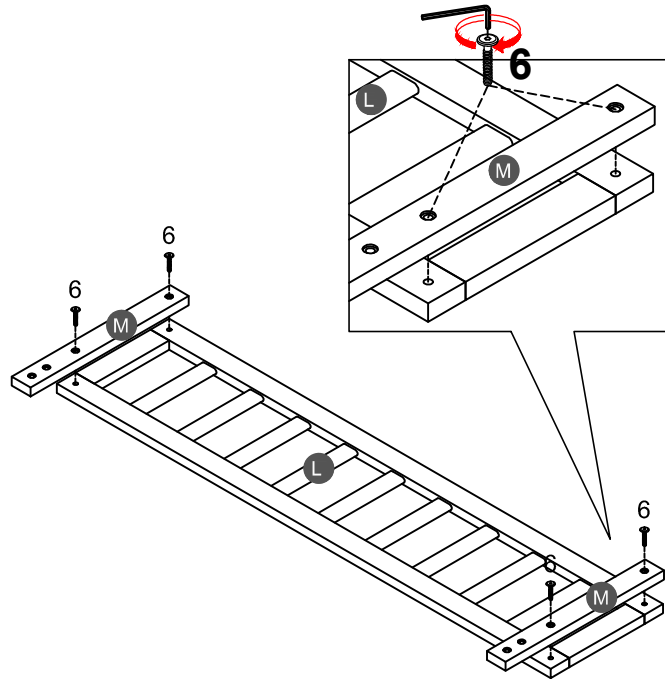


STEP 4:

6	
3PCS	



STEP 5:

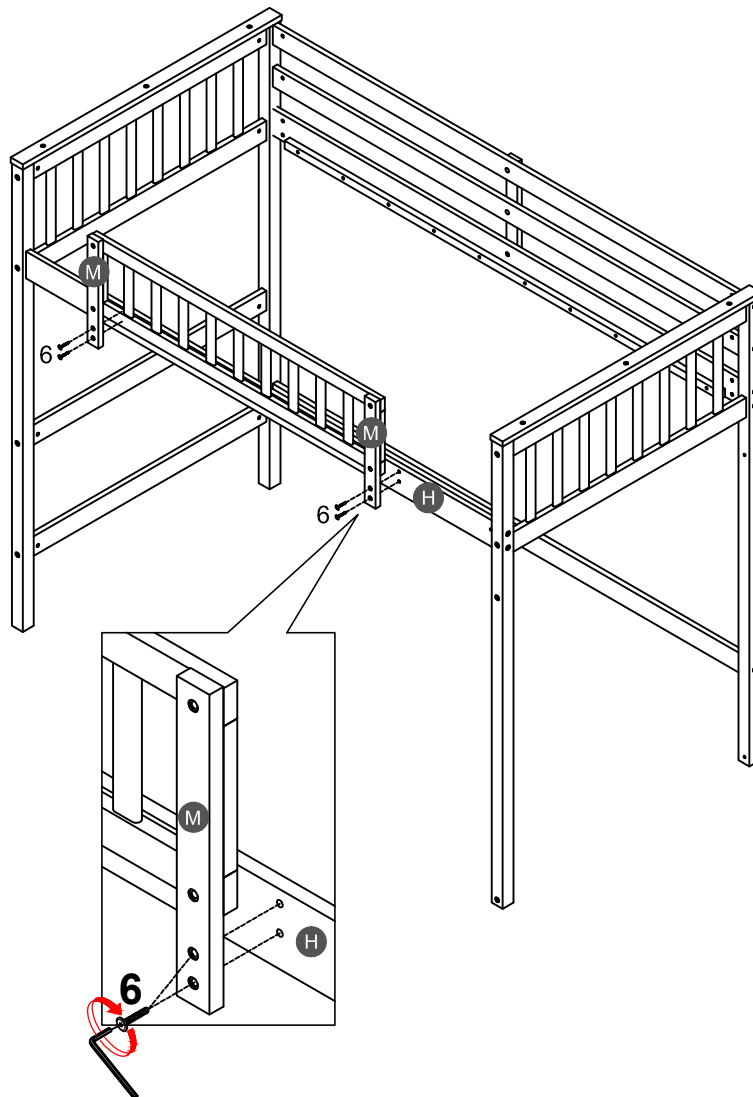


6



4PCS

STEP 6:







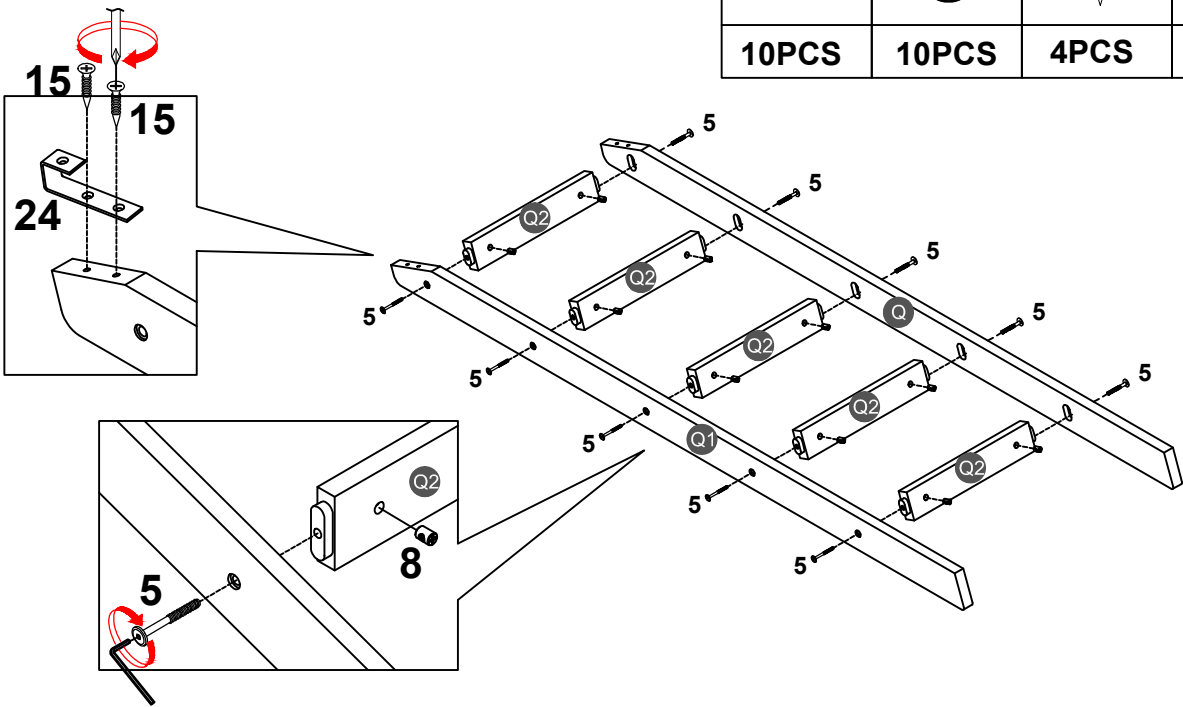
6





4PCS

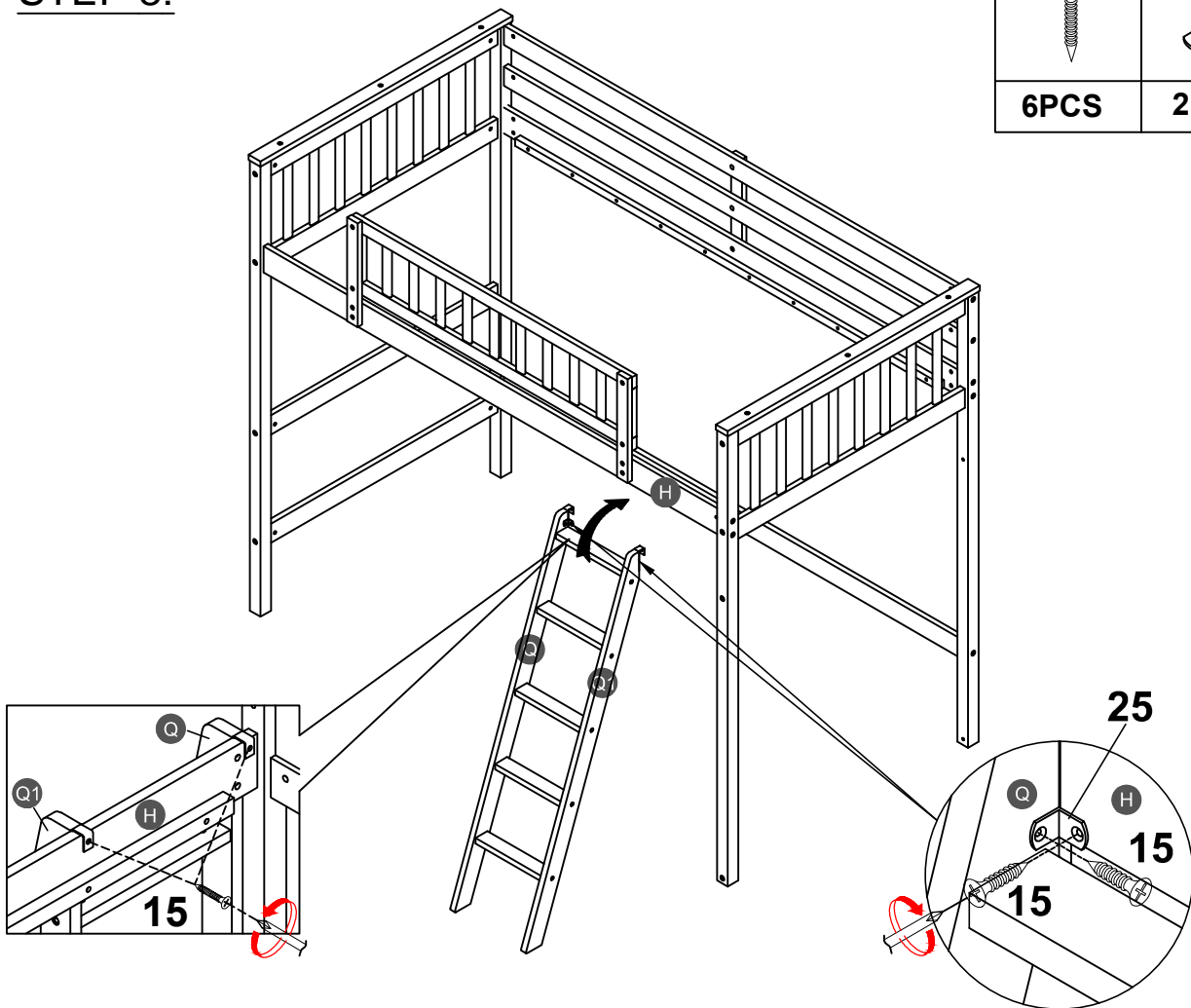
STEP 7:

5		8		15		24	
10PCS		10PCS		4PCS		2PCS	





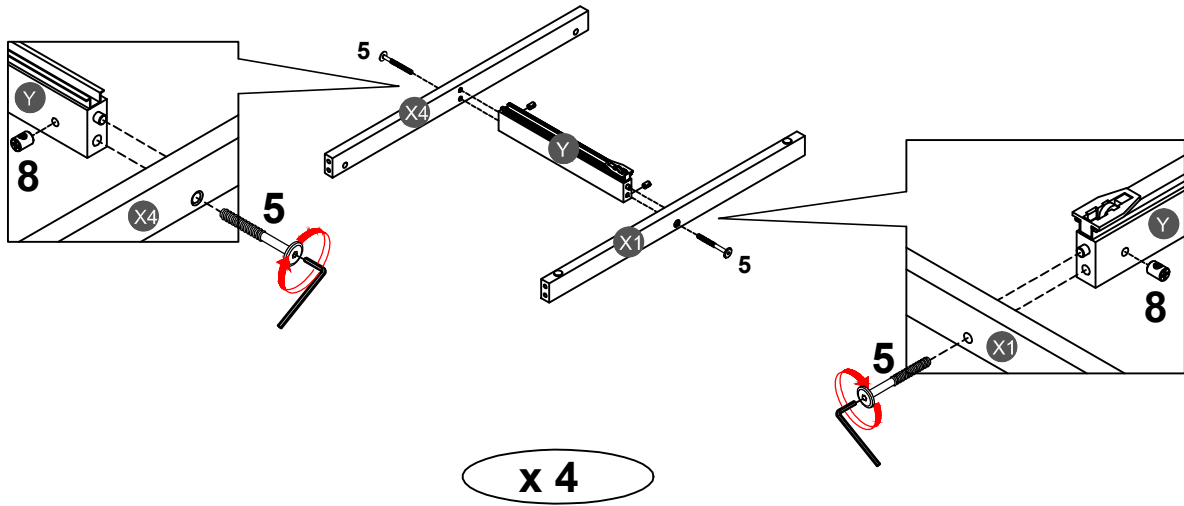
STEP 8:

15		25	
6PCS		2PCS	





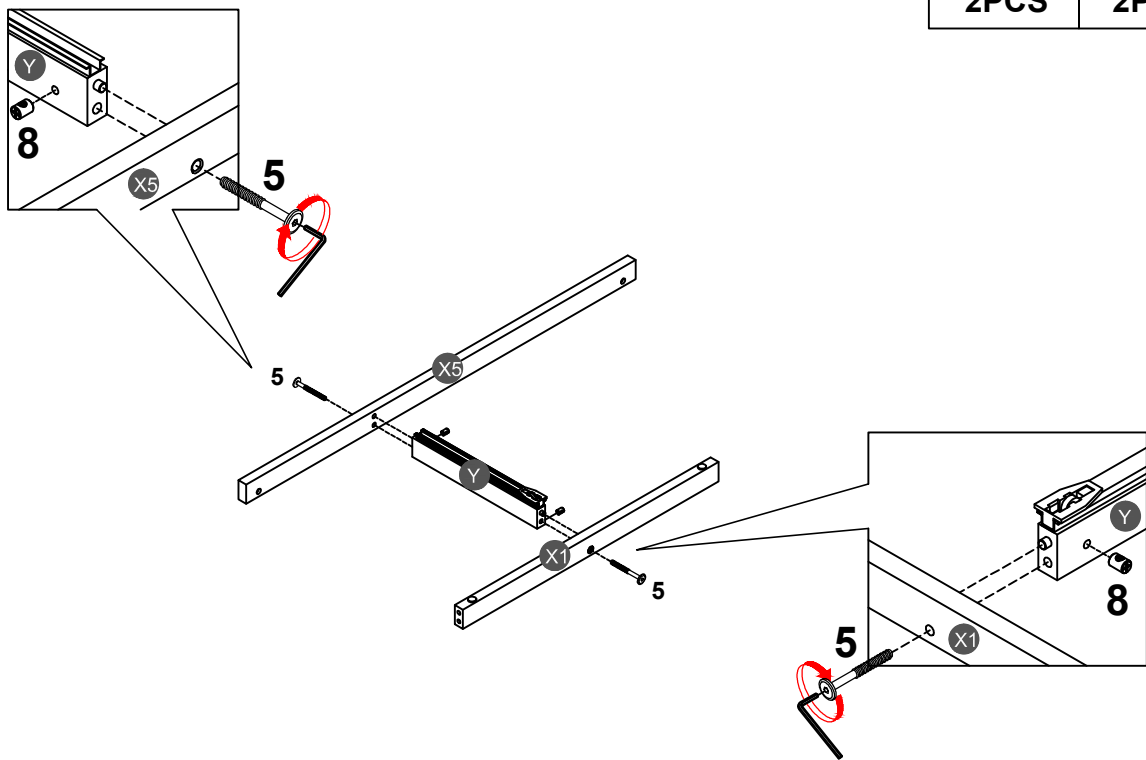
STEP 9:

5		8	
8PCS		8PCS	

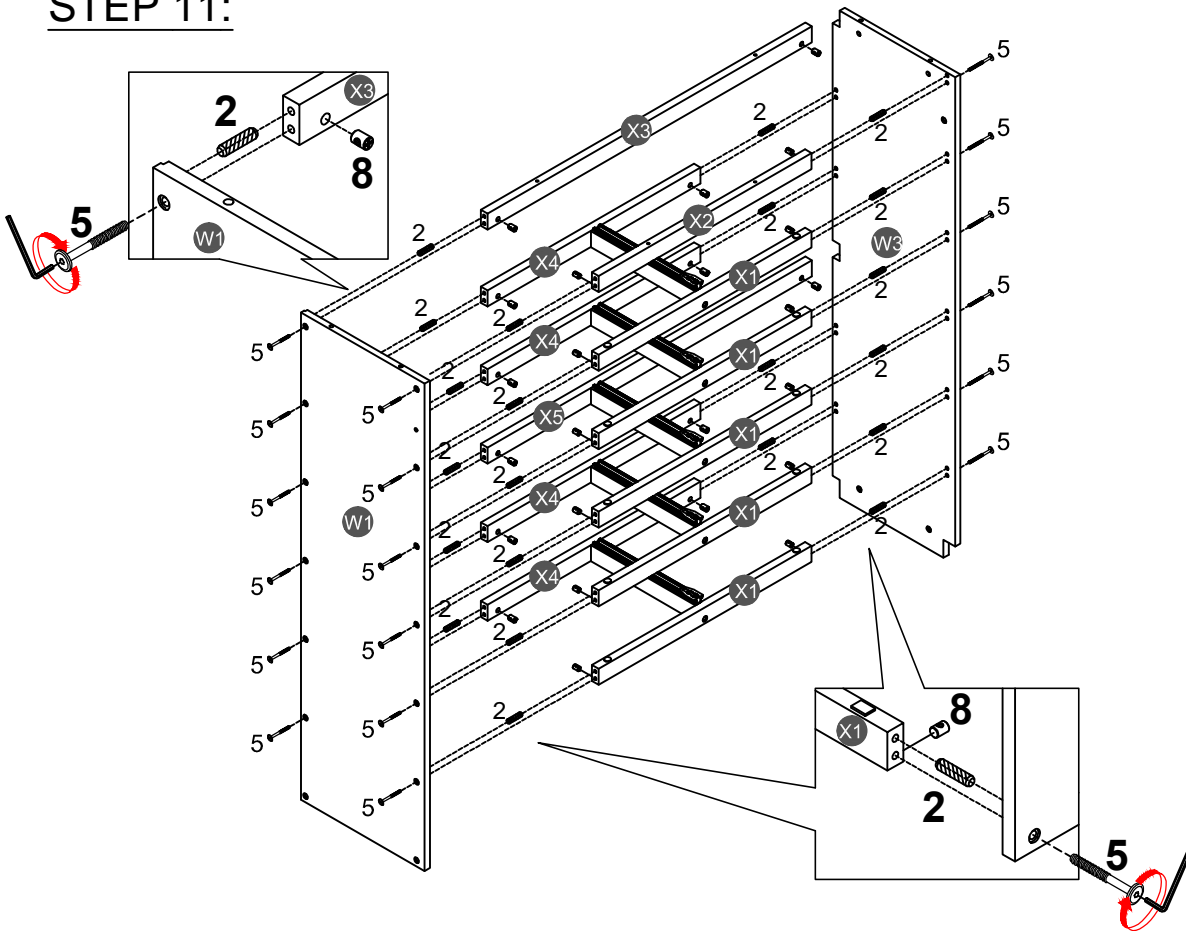


STEP 10:

5		8	
2PCS		2PCS	

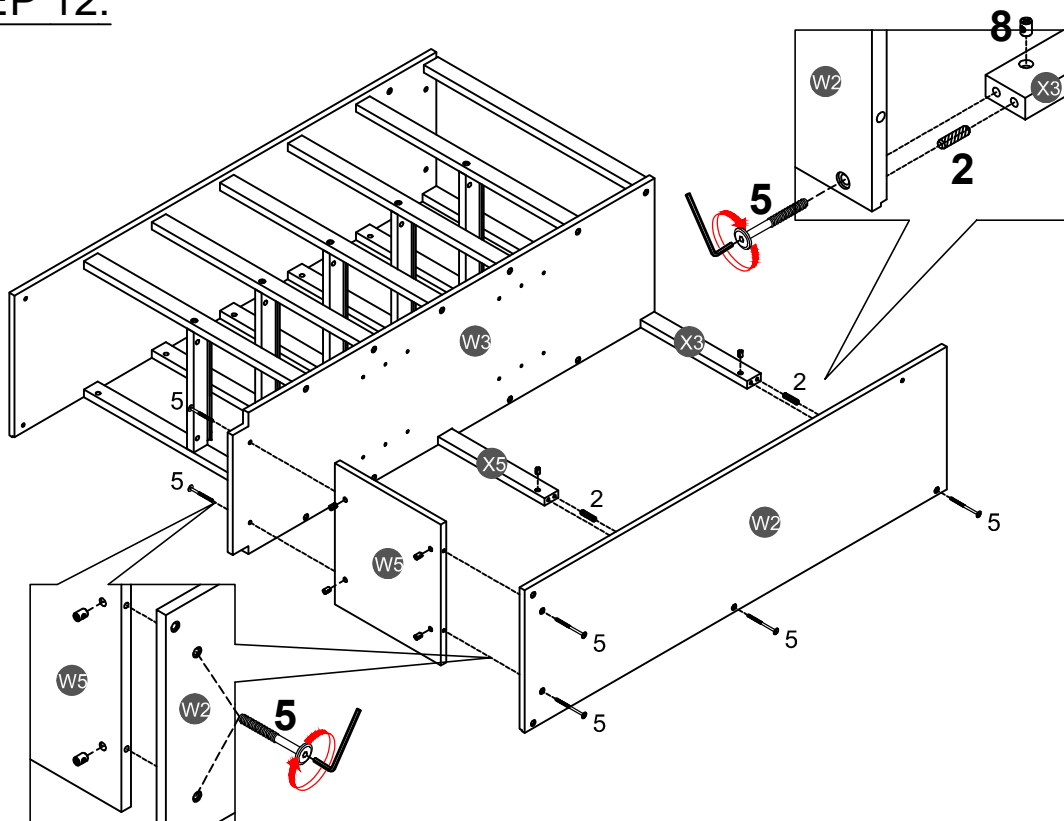


STEP 11:



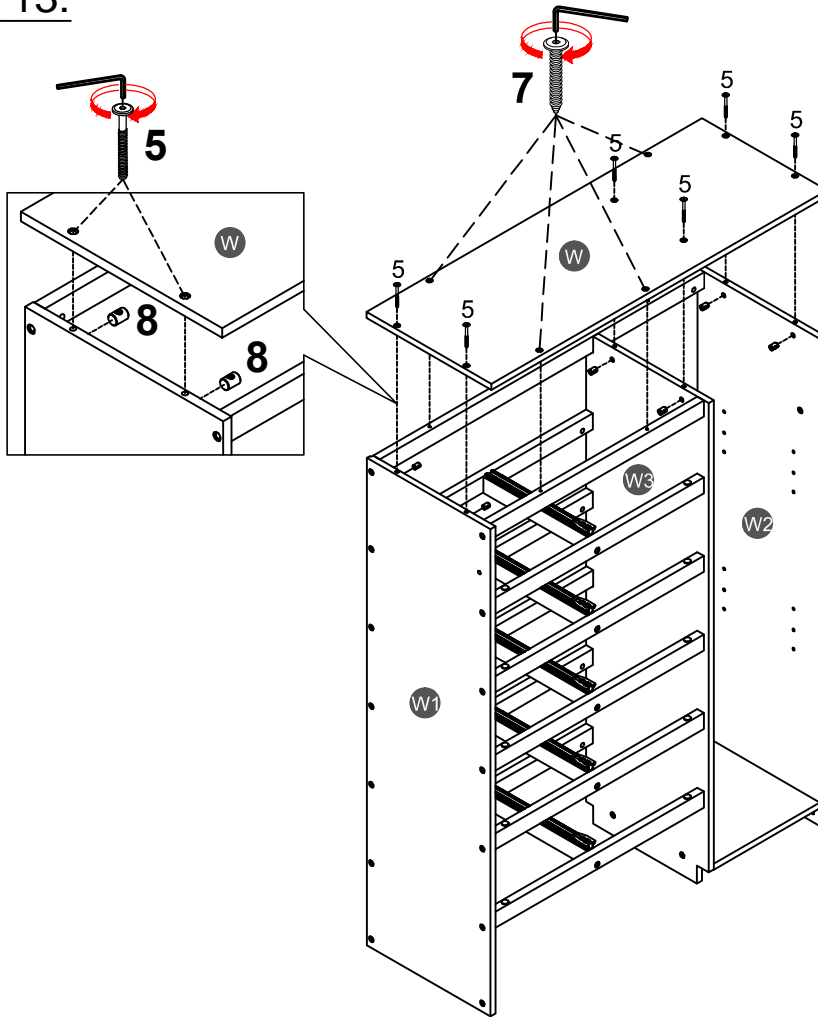
2	
22PCS	
5	
22PCS	
8	
22PCS	

STEP 12:



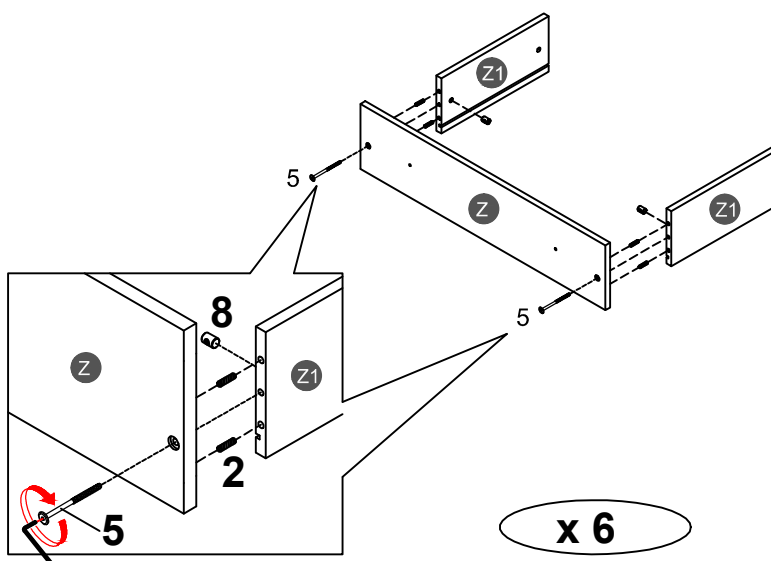
2	
2PCS	
5	
6PCS	
8	
6PCS	

STEP 13:



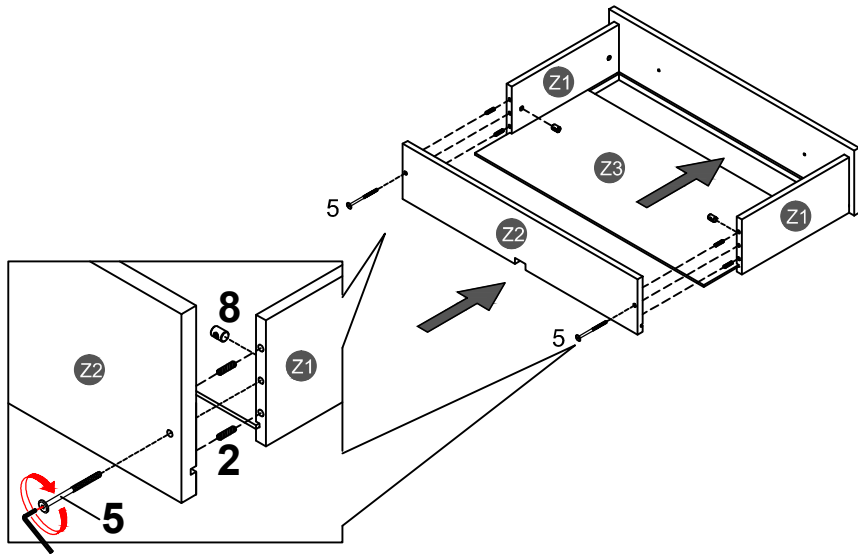
5		8	
6PCS		6PCS	
		7	
		4PCS	




STEP 14:



2		5	
24PCS		12PCS	
		8	
		12PCS	

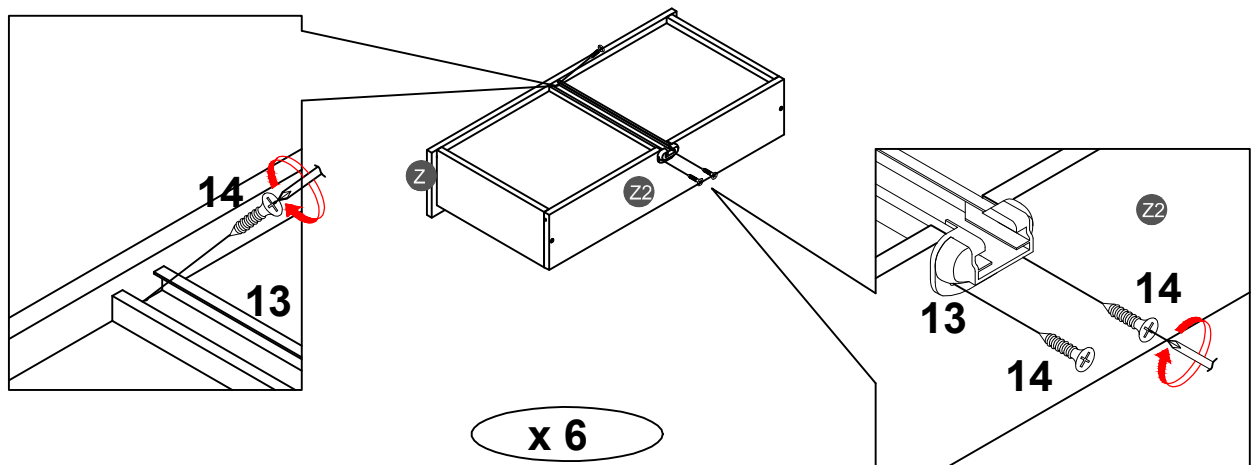
STEP 15:





2		5	
24PCS		12PCS	
		8	
		12PCS	

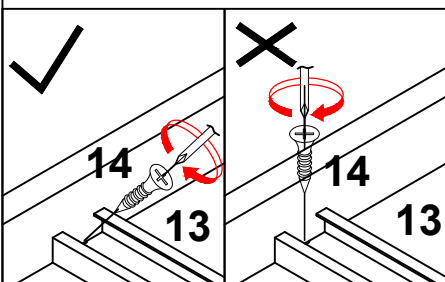
x 6

STEP 16:

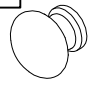



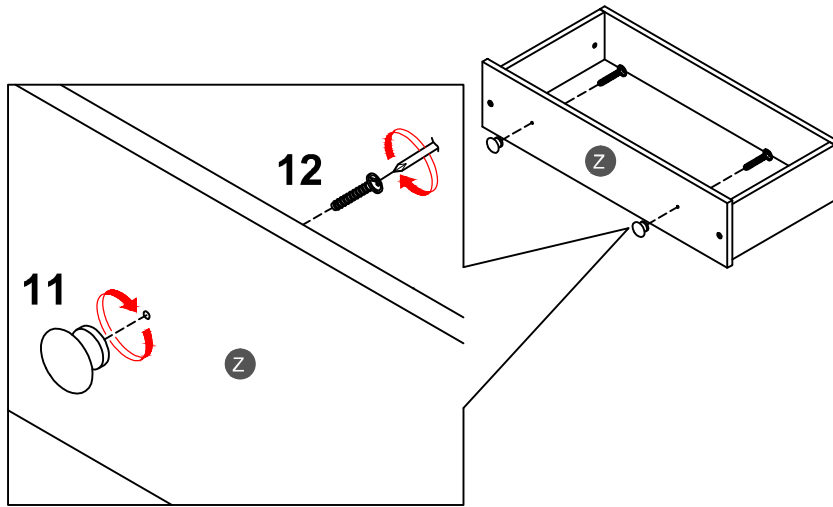
13		14	
6PCS		18PCS	

x 6



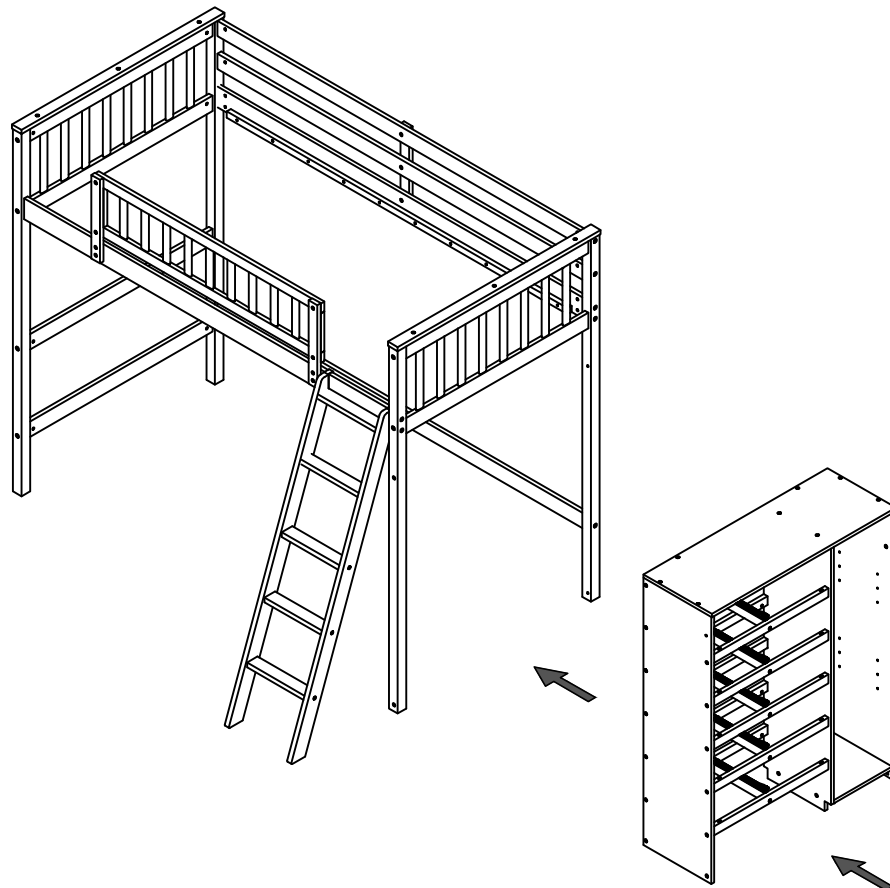
STEP 17:

11 	12 
12PCS	12PCS






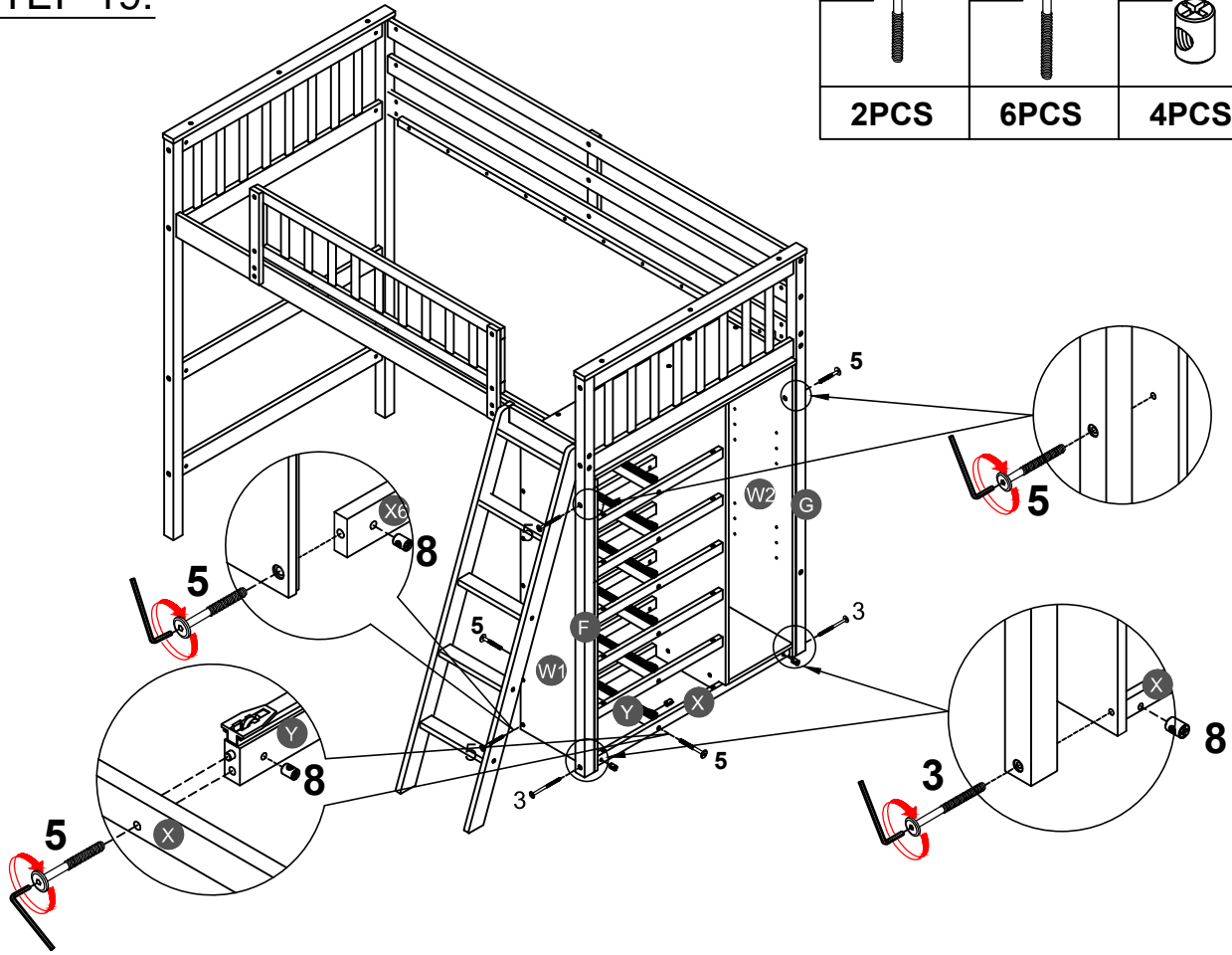
x 6

STEP 18:

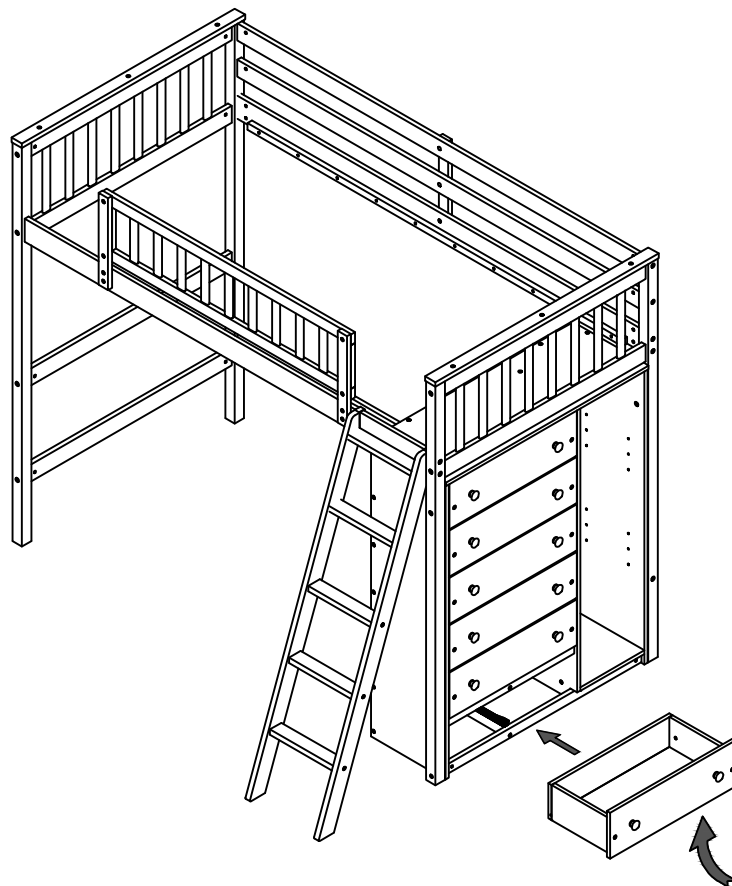


STEP 19:

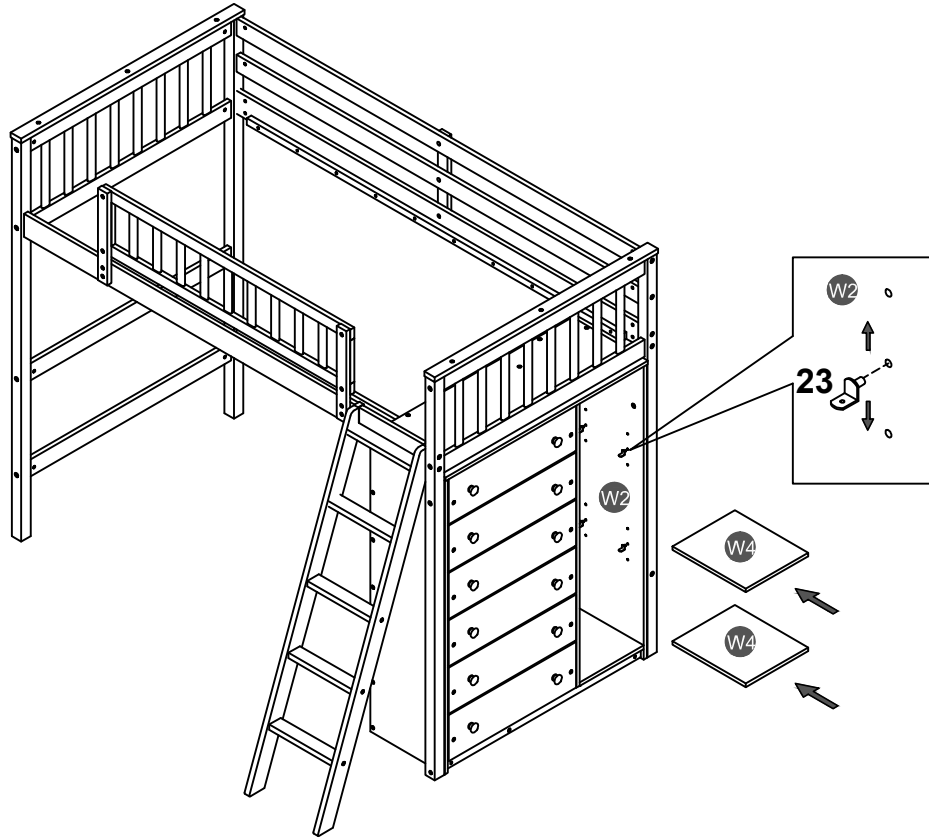
3		5		8	
2PCS		6PCS		4PCS	



STEP 20:



STEP 21:

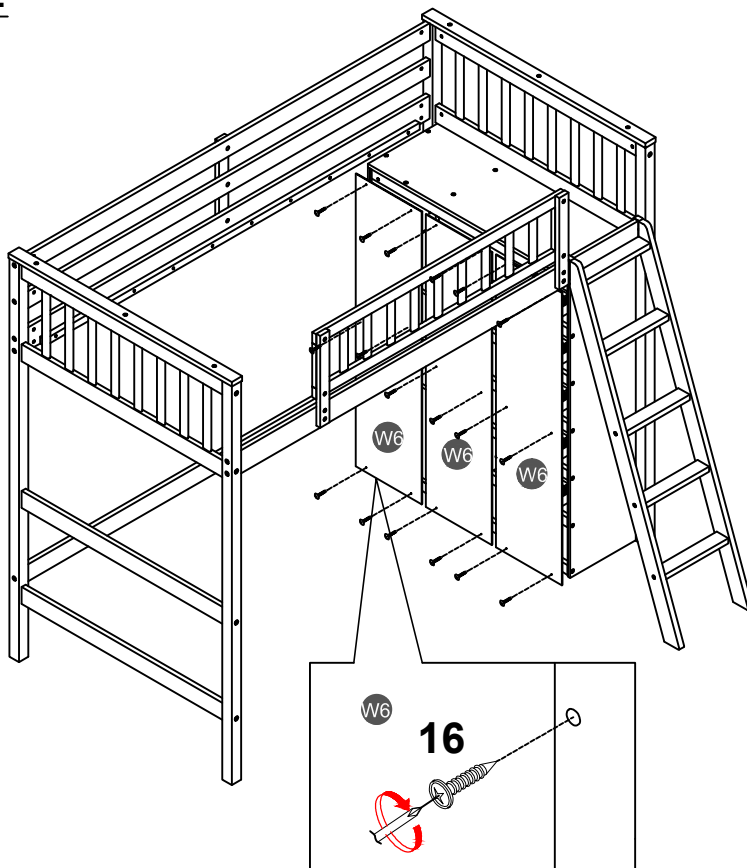


23



8PCS

STEP 22:



16



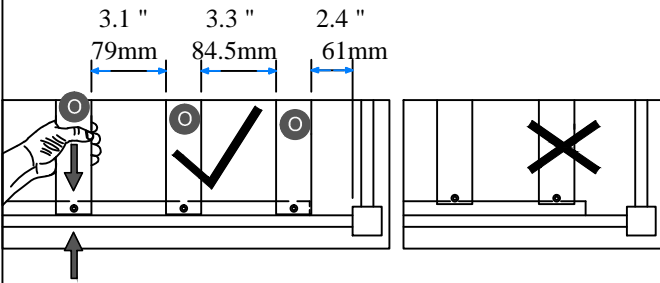
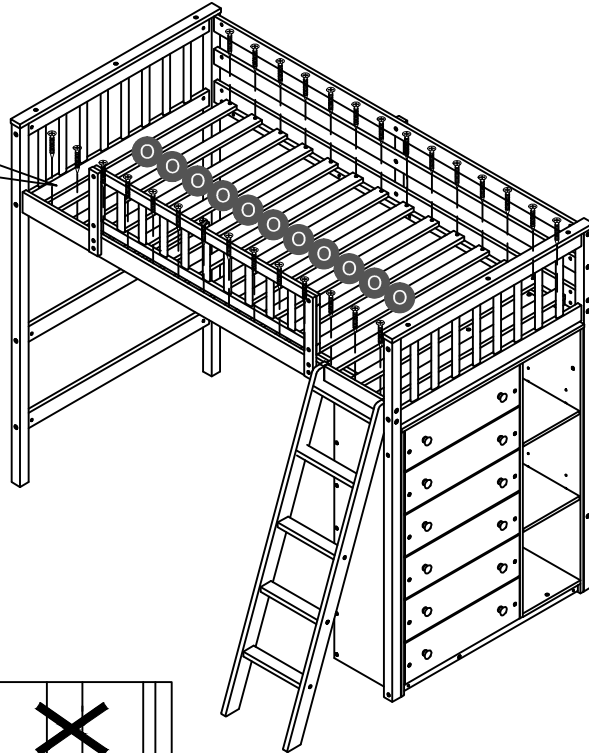
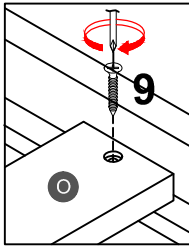
18PCS

STEP 23:

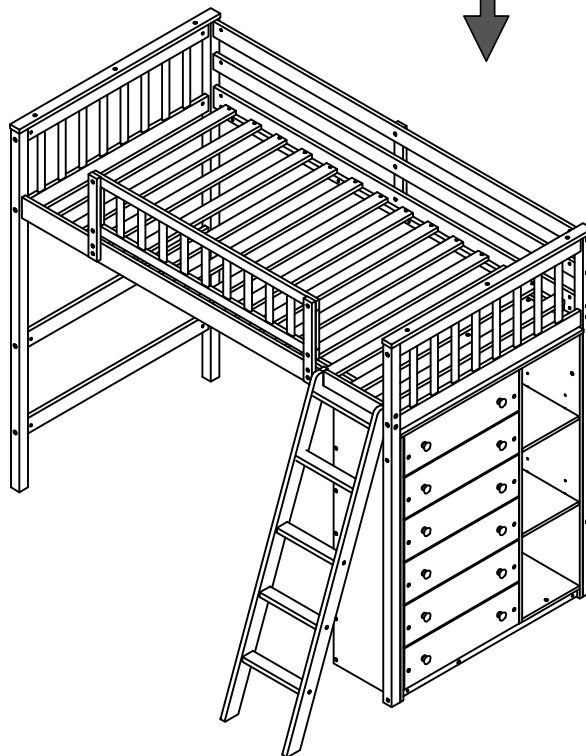
9





28PCS

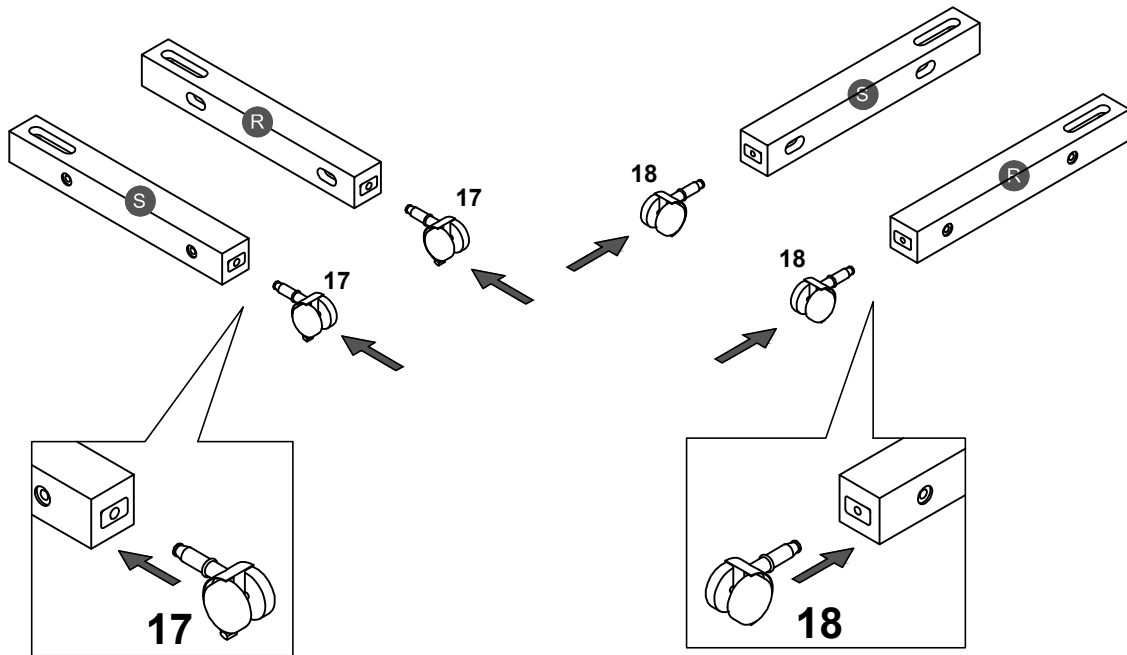


NOTE: Please make sure the bed slats close to the side rail before locking the screws to avoid breakage. This step is required for both the left and right sides. Moreover, please do not lock the screws of the bed slats at the outermost edge to avoid damaging.





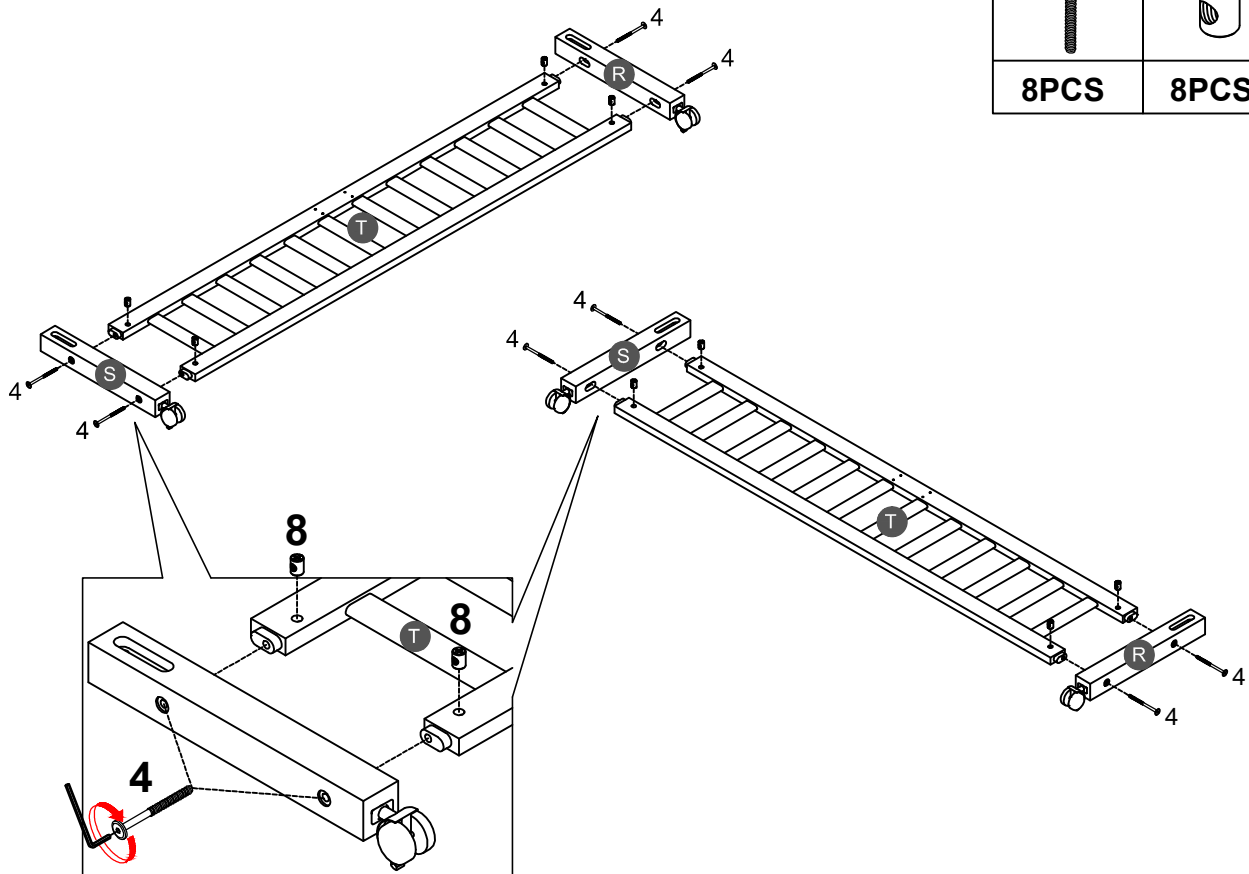
STEP 24:

17 	18 
2PCS	2PCS


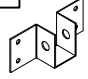


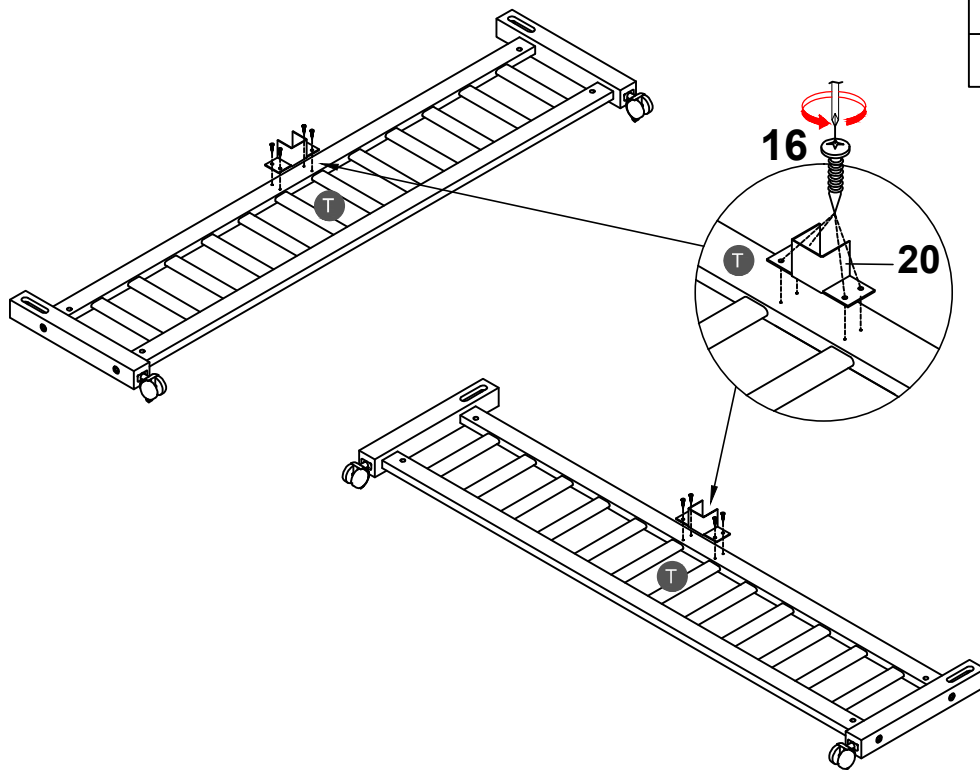
STEP 25:

4 	8 
8PCS	8PCS





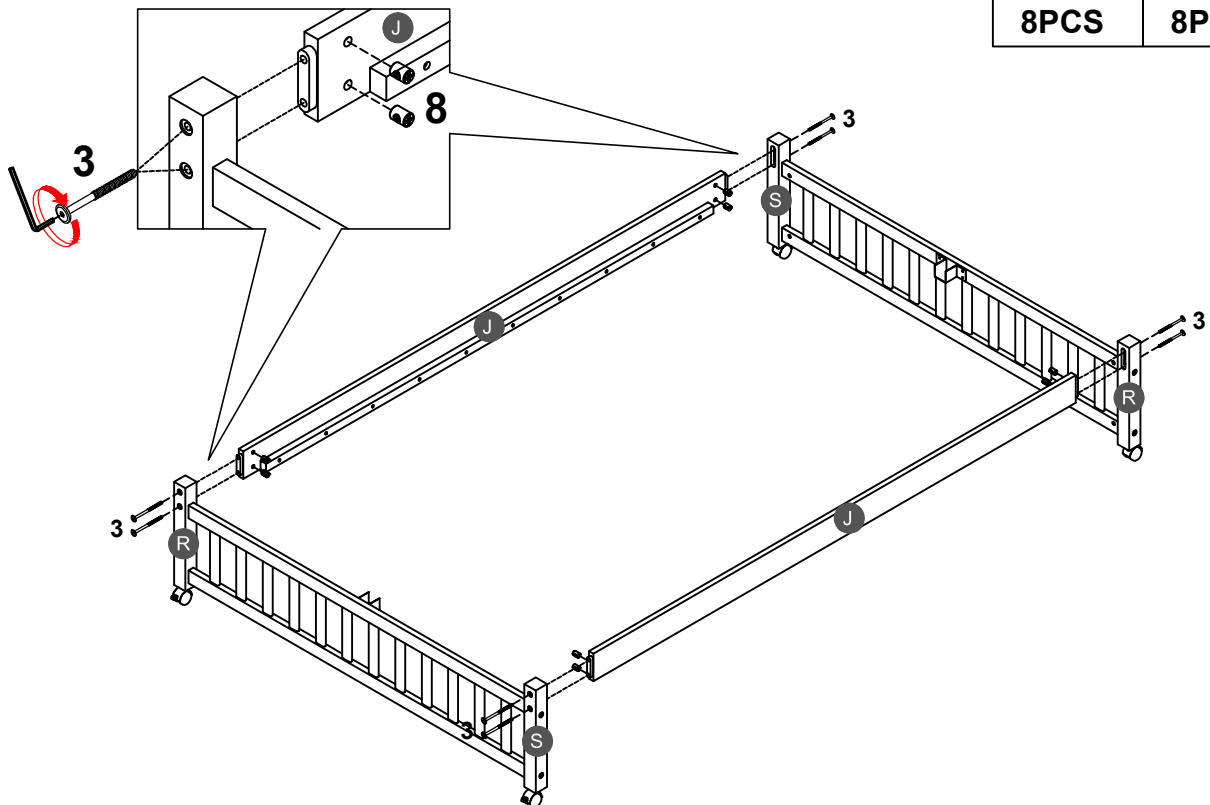
STEP 26:

16		20	
8PCS		2PCS	

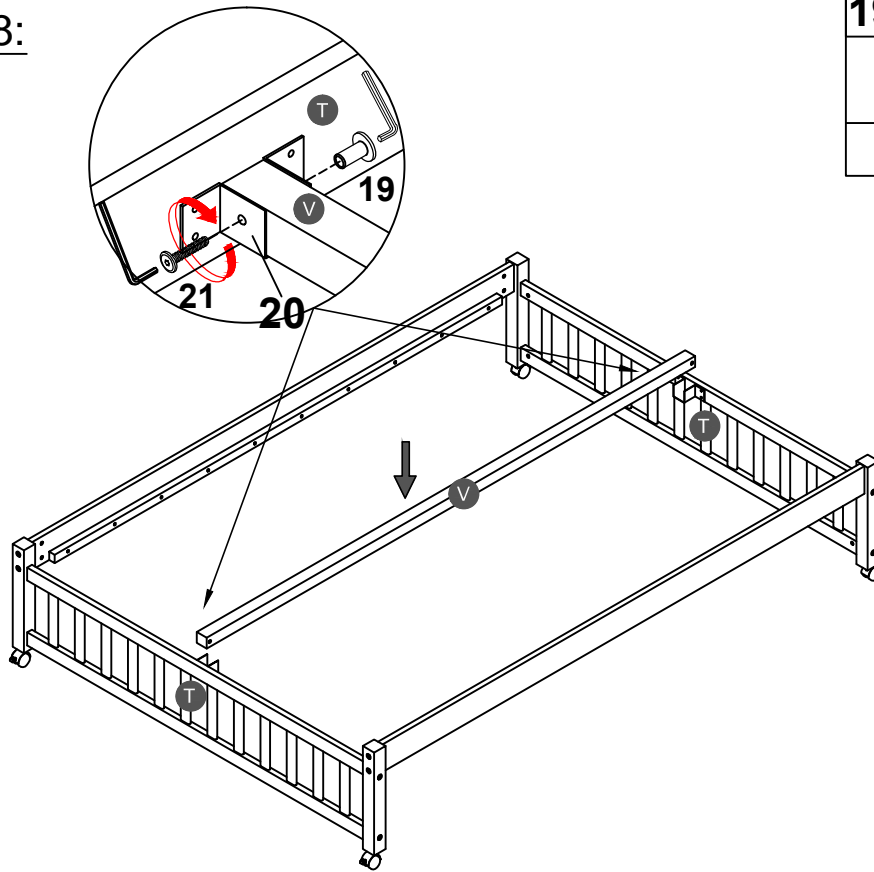


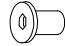
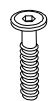
STEP 27:

3		8	
8PCS		8PCS	

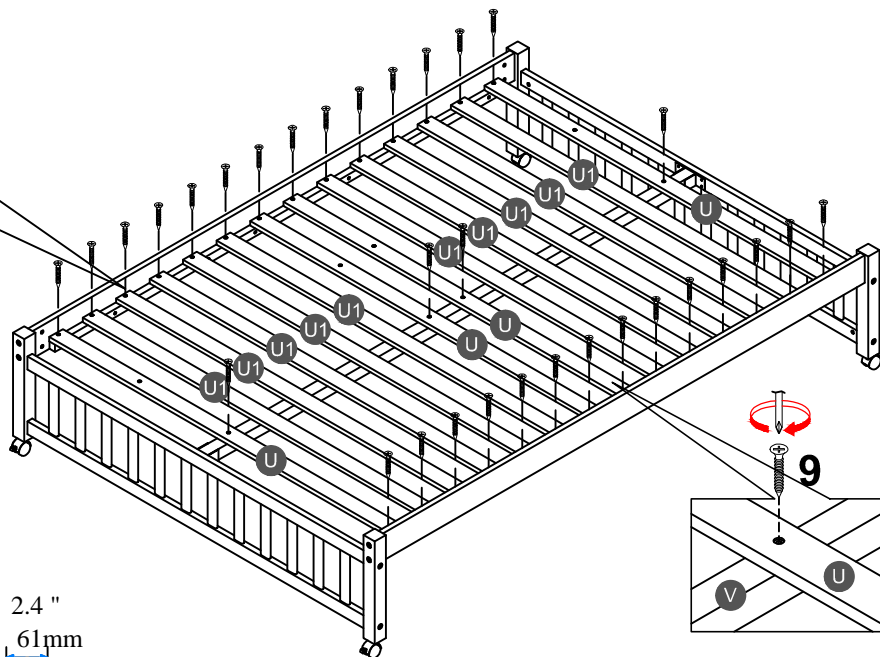
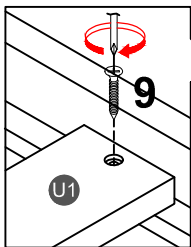



STEP 28:



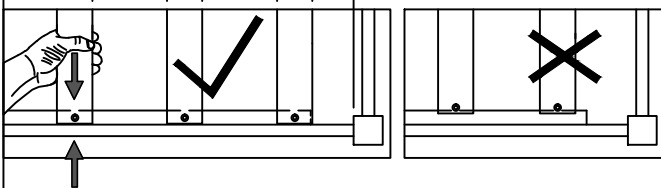
19	21
	
2PCS	2PCS

STEP 29:



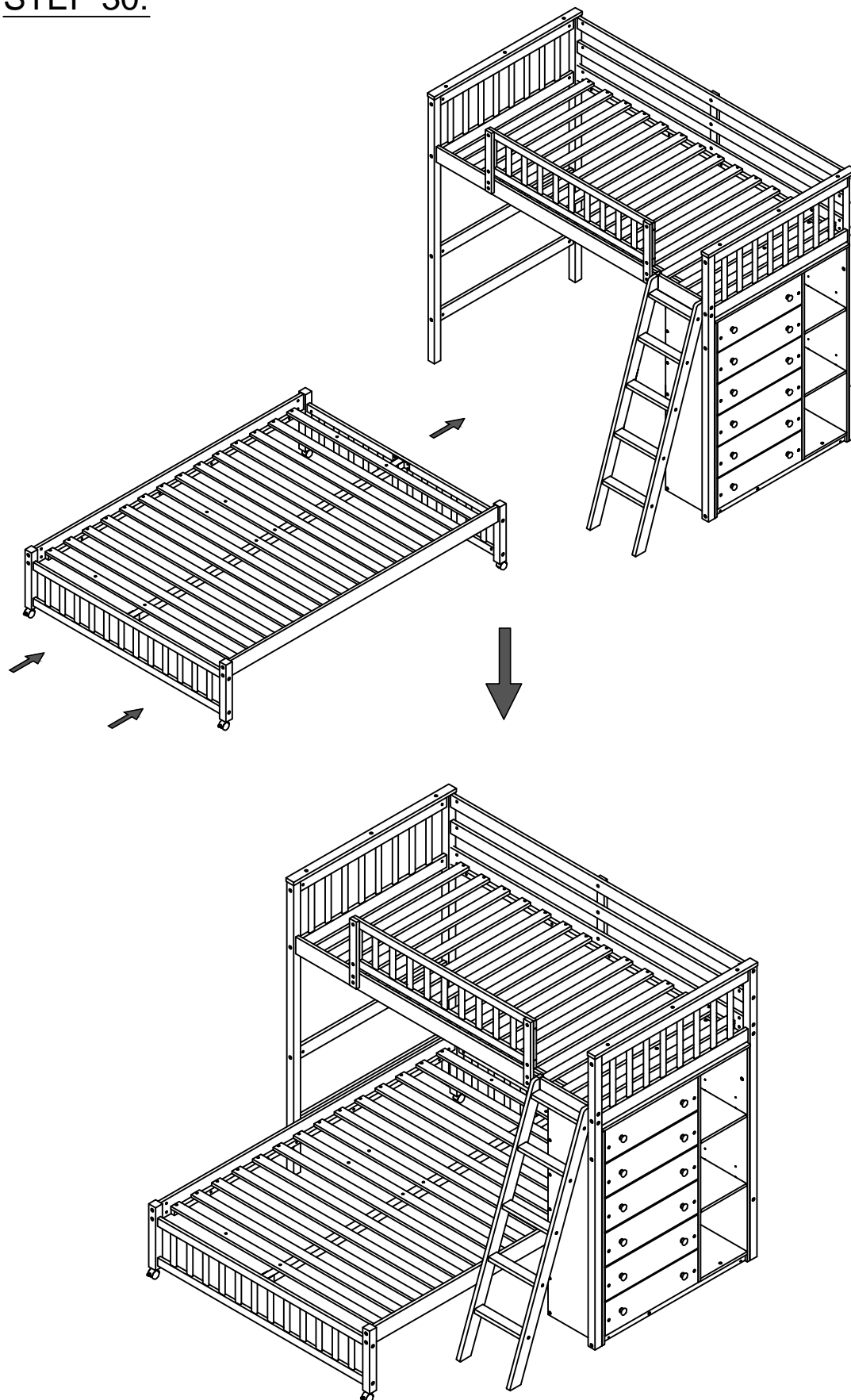
9	
32PCS	

3.1" 79mm 3.3" 84.5mm 2.4" 61mm



NOTE: Please make sure the bed slats close to the side rail before locking the screws to avoid breakage. This step is required for both the left and right sides. Moreover, please do not lock the screws of the bed slats at the outermost edge to avoid damaging.

STEP 30:



Make sure to tighten all the screws of the bed.