


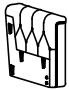
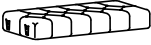
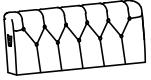
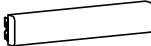

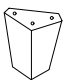

ASSEMBLY INSTRUCTIONS

LOVESEAT


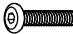



Caution: Please read instructions thoroughly before unpacking assembly parts, Sharp, exposed staple tips can cause injury, therefore, for you protection, please remove any exposed staple used in packing.

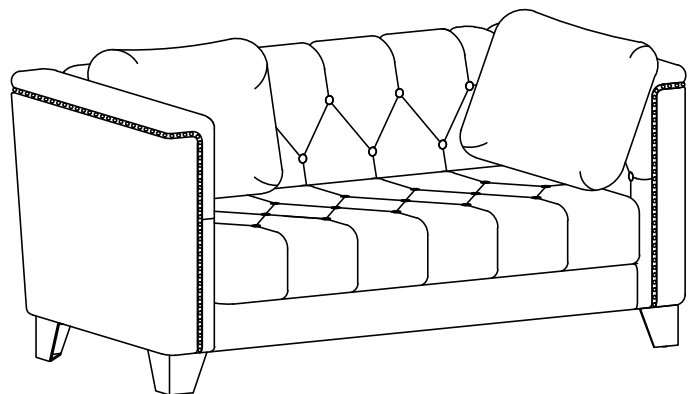
1. We recommend that you should assemble this product with the assistance of another person; this will make assembly easier, and will help to eliminate damage to the product or injury to persons during assembly.
2. Be sure to check all packing materials carefully for small parts that may have come loose inside the carton during shipment.
3. Please do not over tighten screws or bolts.
4. Please put all parts on a non-abrasive floor before assembly, and follow the assembly steps to assemble your newly purchased product correctly and efficiently.

PART LISTS

No.	Desc.	Sketch	Qty
A	LEFT ARMREST		1
B	RIGHT ARMREST		1
C	SEAT		1
D	BACKREST		1
E	FRONT SEAT RAIL		1
F	BACK SEAT RAIL		1
G	LEGS		4
H	PILLOW		2

HARDWARE LISTS

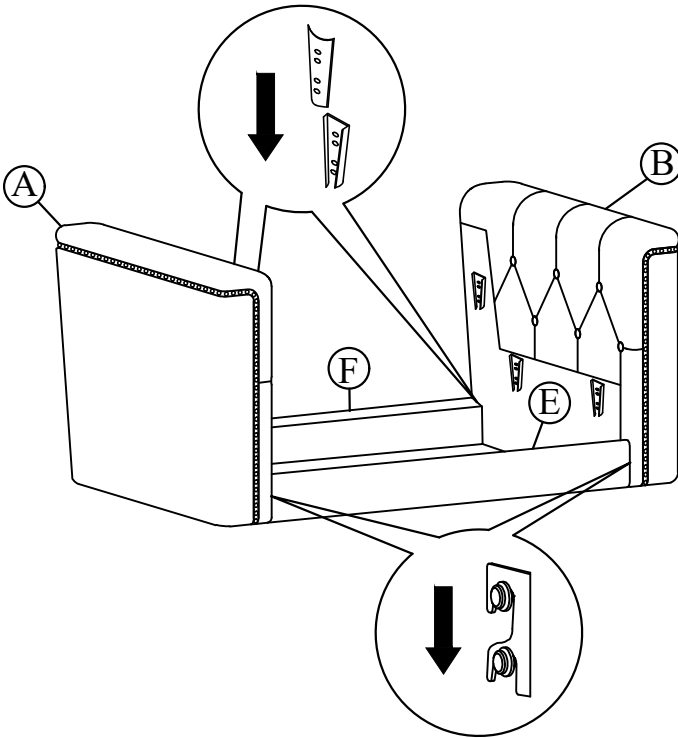
No.	Desc.	Sketch	Size	Qty
1	Allen Bolt		φ 1/4" x 25mm	8
2	Allen Bolt		φ 5/16" x 45mm	2
3	Flat Washer		φ 5/16" x 22mm	2
4	Flat Washer		φ 1/4" x 19mm	8
5	Allen Key		M4mm	1



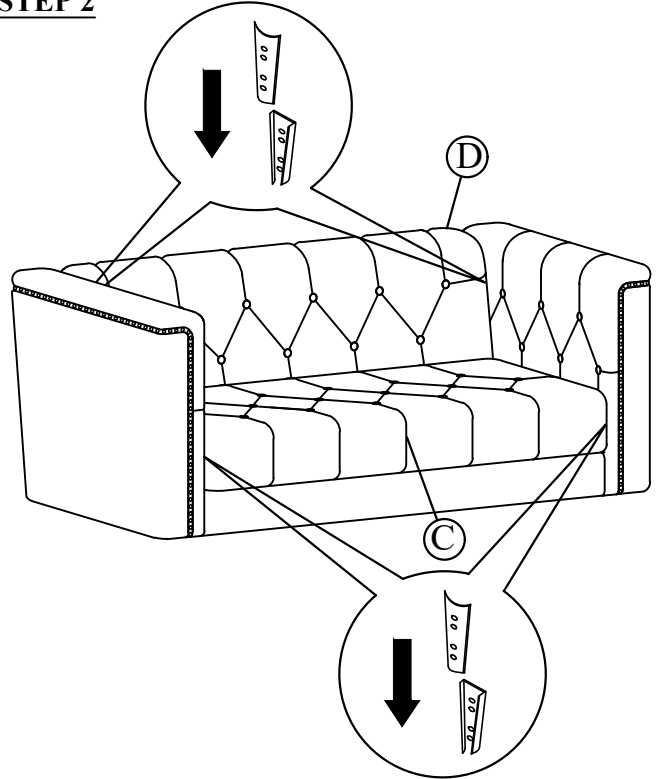
ASSEMBLY INSTRUCTIONS

LOVESEAT

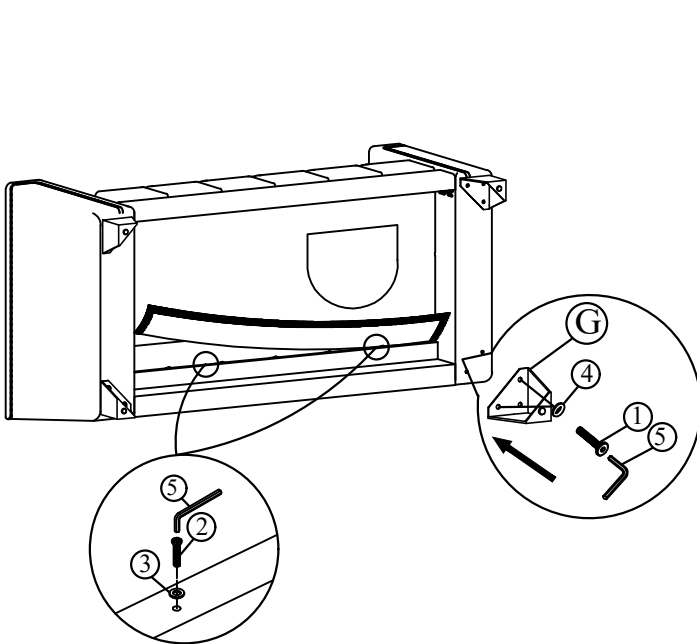
STEP 1



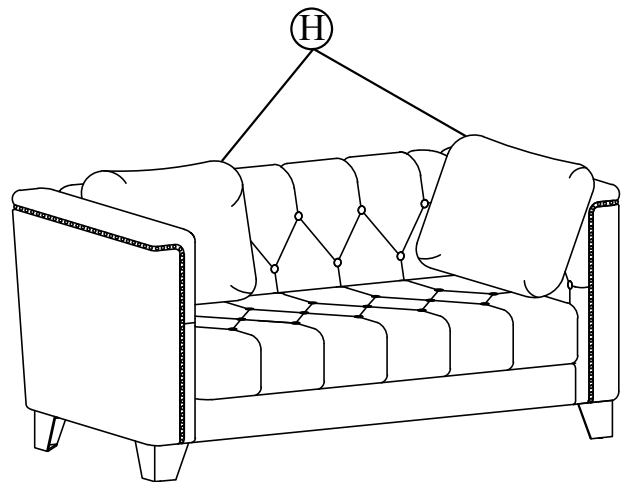
STEP 2



STEP 3



STEP 4



ASSEMBLE COMPLETE