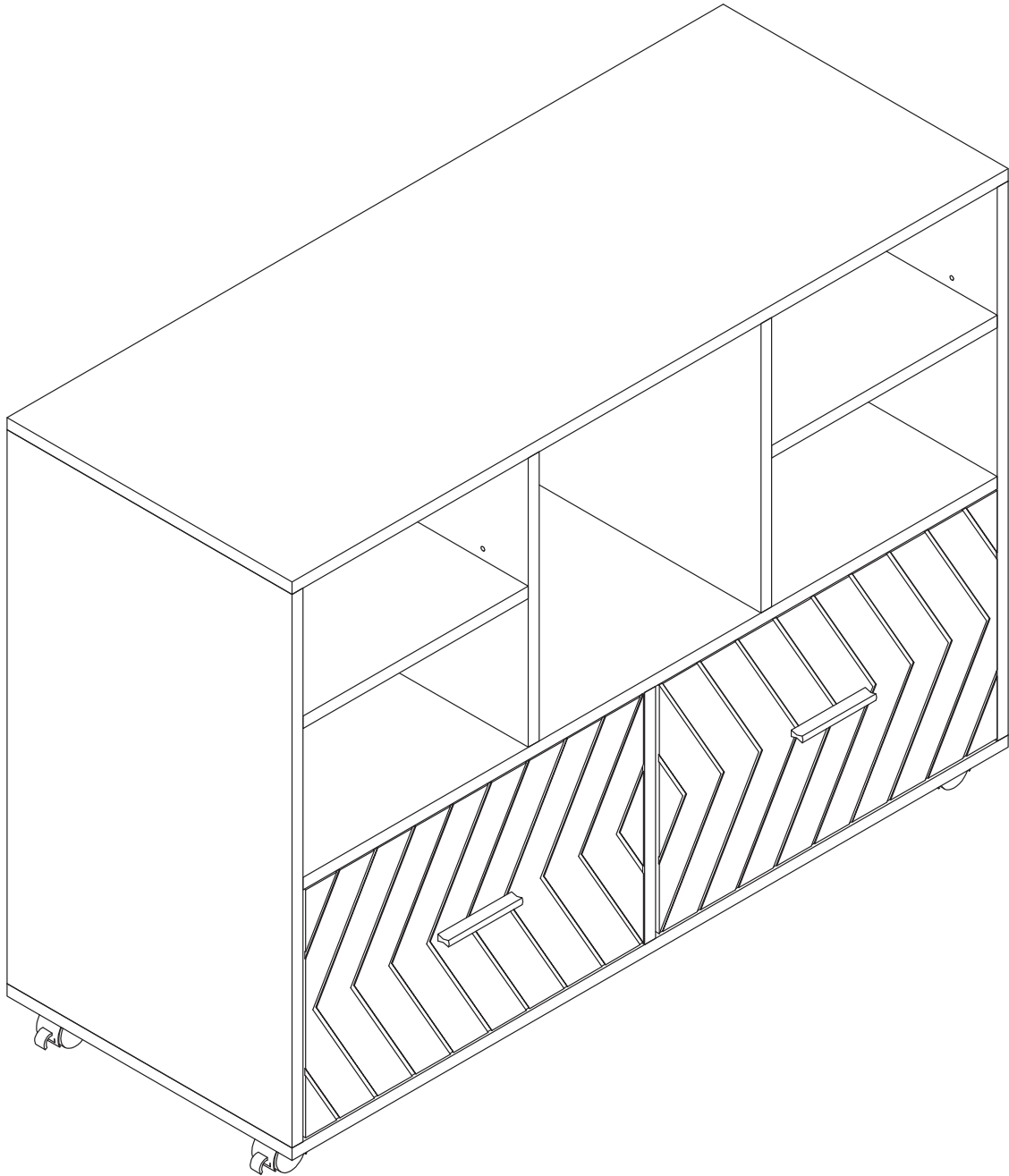


Assembly Instructions

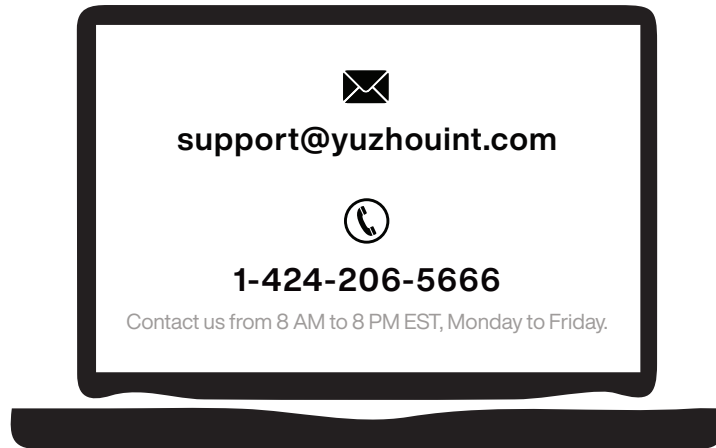


File Cabinet

Model No.
HOGA-F2371-B/2372-B
HOGA-F2373-B

Contact Us

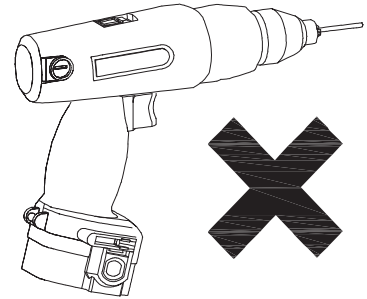
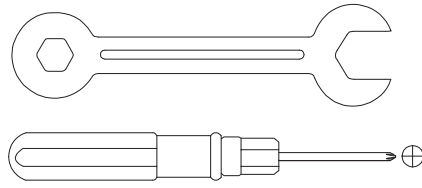
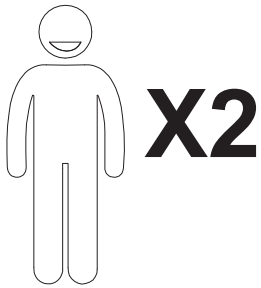
We're here to help you.



Your satisfaction is our top priority. If you encounter any issues with this product, such as missing or damaged parts, we're here to help. Please retain the original packaging and take photos of the packaging and the product, then contact us as soon as possible.

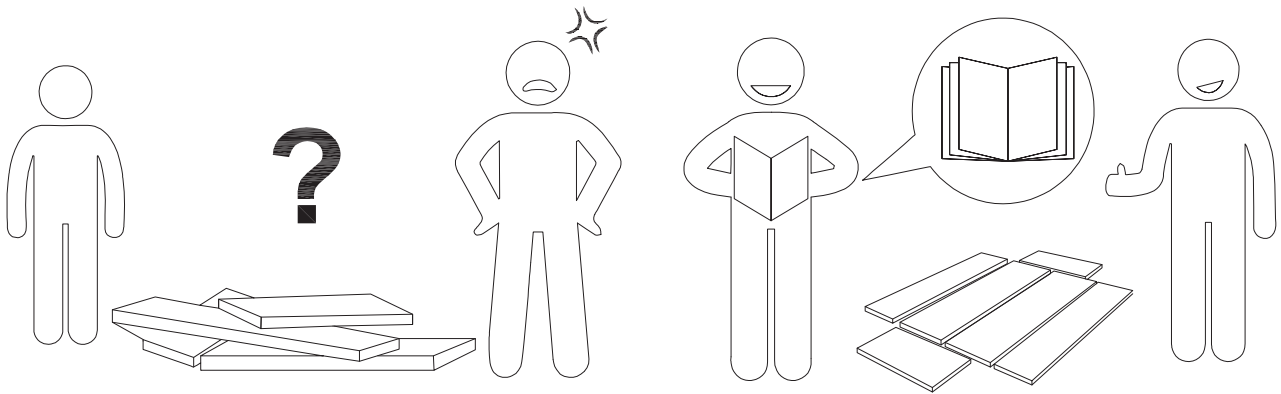
Warm Tips

1. Carefully read these instructions and keep them for future reference.
2. Check the parts list and confirm everything's there before starting assembly.
3. When assembling, put all parts on a soft, smooth surface like a carpet to avoid scratches.
4. Don't fully tighten screws until all parts are confirmed in place to avoid misalignment.



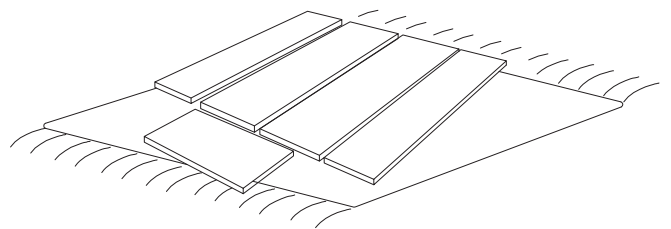
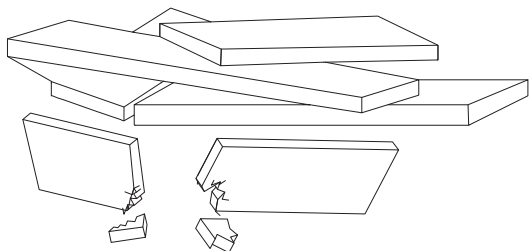
We recommend using hand tools for assembly.

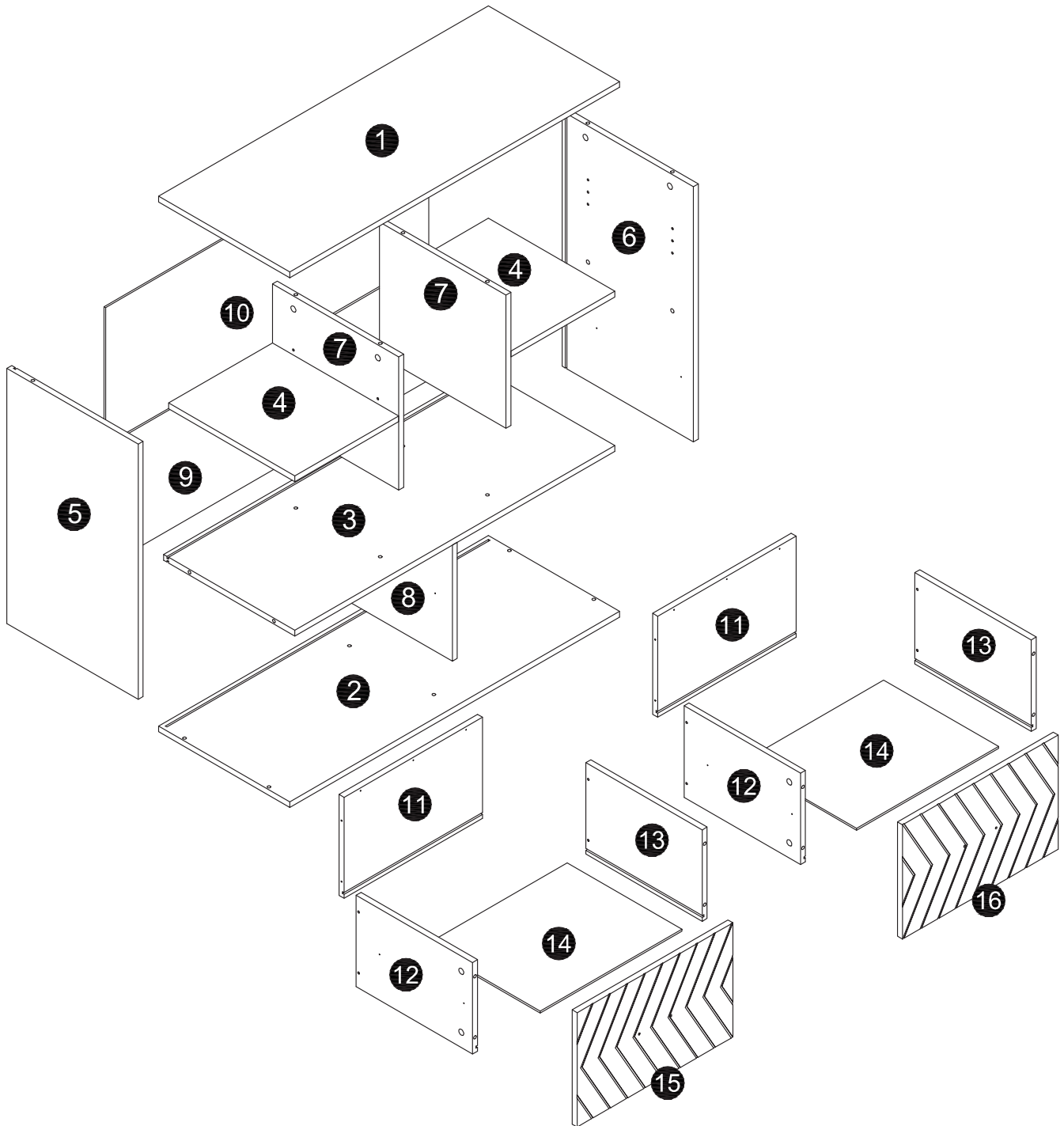
If an electric screwdriver is used, reduce power and torque to avoid damage to the product.



AVOID SCRATCHES

In order to avoid scratching, this furniture should be assembled on a soft surface, such as a rug.

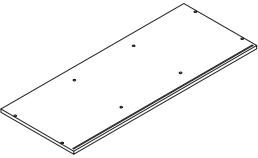
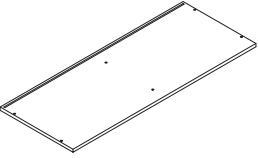
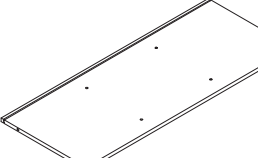
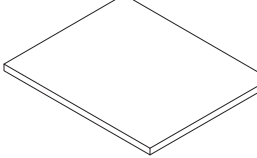


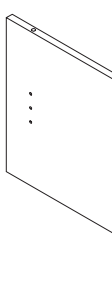

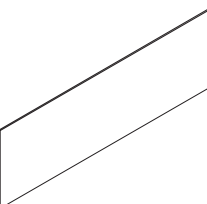
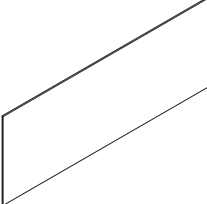
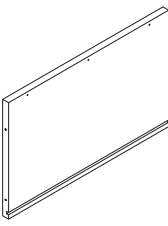
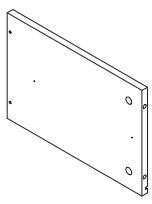
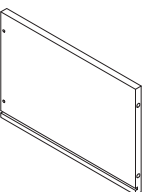
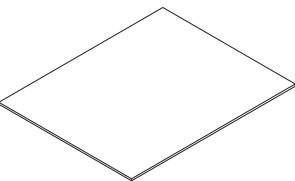
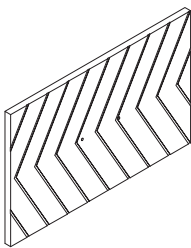
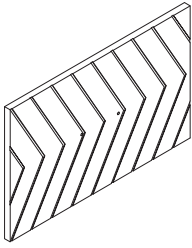




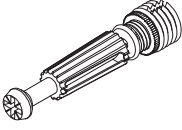
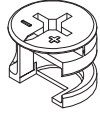



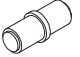
⚠ Caution

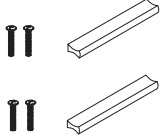

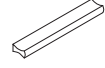
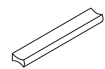

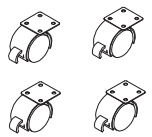






Make sure all parts are included. Most board parts are labeled or stamped on the raw edge. Contact us for a free replacement if you encounter any damaged or missing parts.

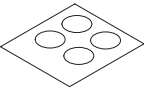
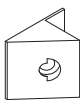
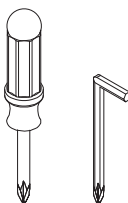
Parts List

 <p>1</p> <p>1 pc</p>	 <p>2</p> <p>1 pc</p>	 <p>3</p> <p>1 pc</p>	 <p>4</p> <p>2 pcs</p>
 <p>5</p> <p>1 pc</p>	 <p>6</p> <p>1 pc</p>	 <p>7</p> <p>2 pcs</p>	 <p>8</p> <p>1 pc</p>
 <p>9</p> <p>1 pc</p>	 <p>10</p> <p>1 pc</p>	 <p>11</p> <p>2 pcs</p>	 <p>12</p> <p>2 pcs</p>
 <p>13</p> <p>2 pcs</p>	 <p>14</p> <p>2 pcs</p>	 <p>15</p> <p>1 pc</p>	 <p>16</p> <p>1 pc</p>

Hardware List

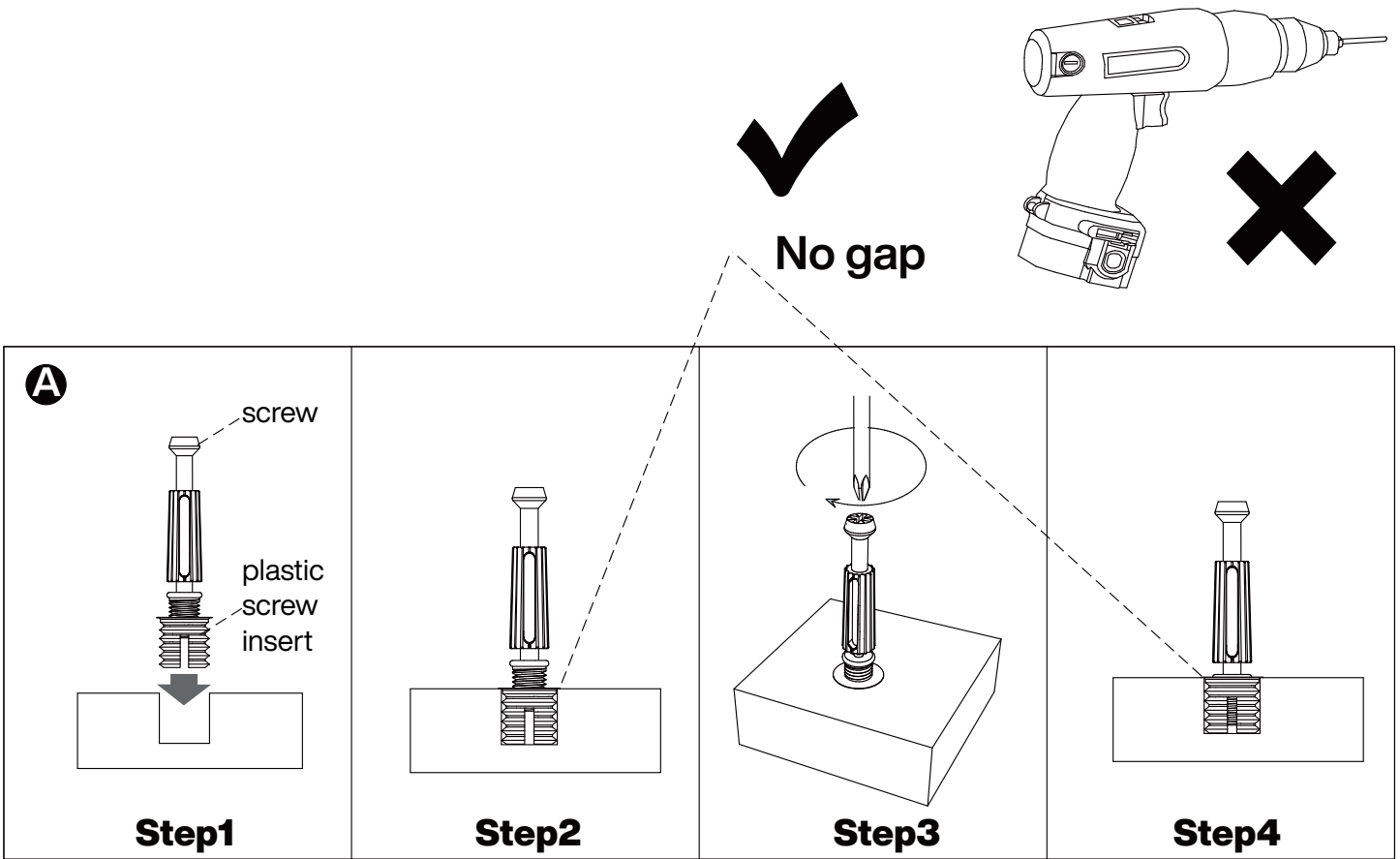
A	B	C	D	E	F
					
M6x40mm	Ø15x12mm	Ø6x38mm	Ø3.5x14mm	Ø4x35mm	Ø5x13mm
22 pcs	22 pcs	10 pcs	56 pcs	8 pcs	8 pcs

G	H	I	J	K	L
   					   
Ø4x18mm	L=340mm	L=420mm	L=318mm		
2 pcs	4 pcs	4 pcs	4 pcs	1 pc	4 pcs

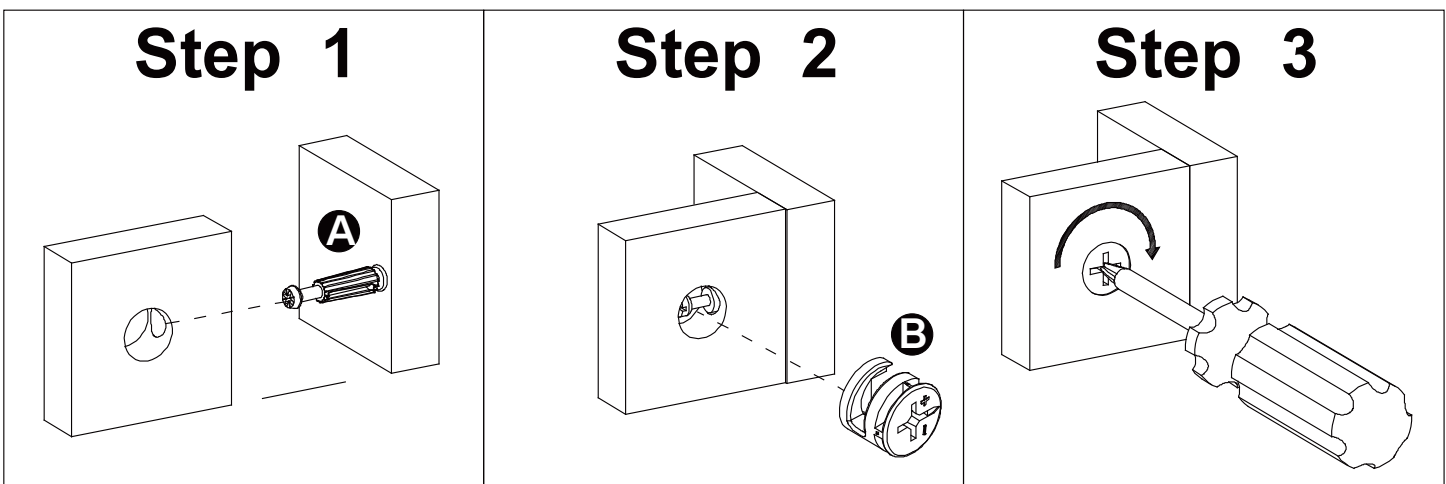
M	O	N			
					
8 pcs	8 pcs	1 pc			

Installation of Cams and Pins

Step 1-2: Align the plastic part with the mounting hole and press it in. If you can't press it in, loosen the screw counter clockwise or completely remove the screw from the plastic part and try again.
Step 3-4: After pressing the plastic part into place, use a screwdriver to tighten the screw clockwise.



Screw the pin into the hole. Set the cams correctly by aligning the head of the cams with the lock pins. Lock the cam by turning the cam head with a screwdriver until it is tightened. Please do not use an electric screwdriver to assemble the unit.



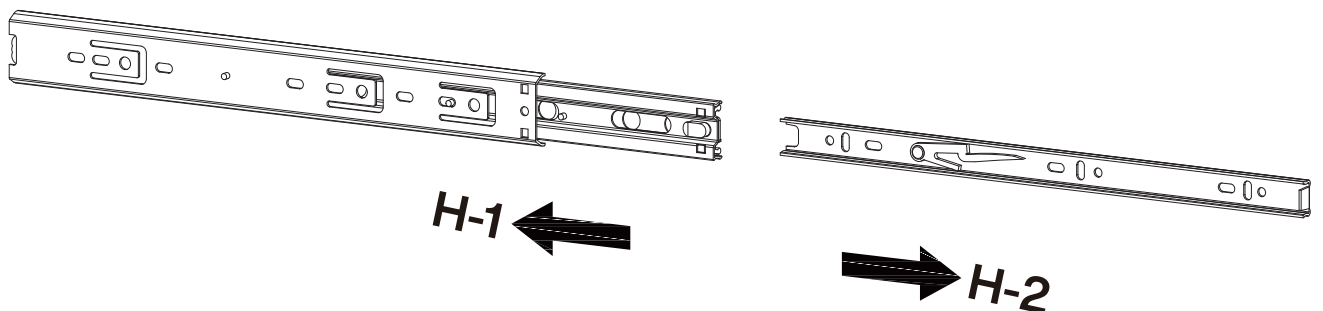
Please split component "H" into "H-1" and "H-2" before assembling the slide and then proceed to the next step of assembly

Step 1

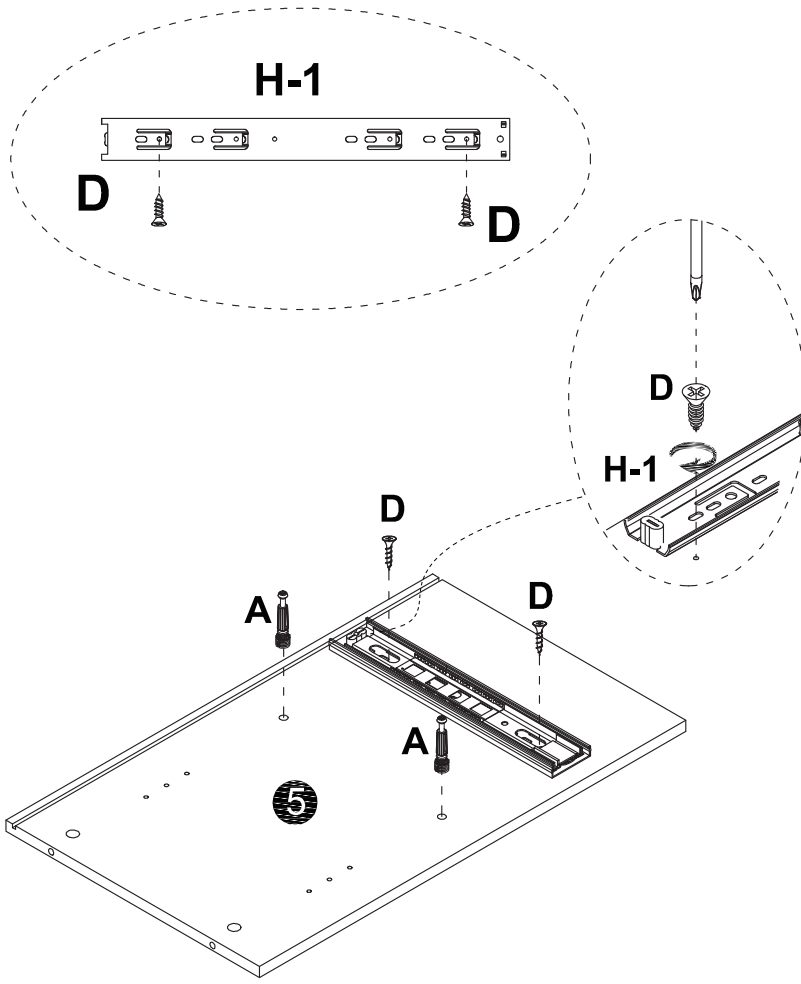
Pull apart component "H" to each side, and then gently push up the lever of component "H-2"






Step 2 Split component "H-1" and "H-2"

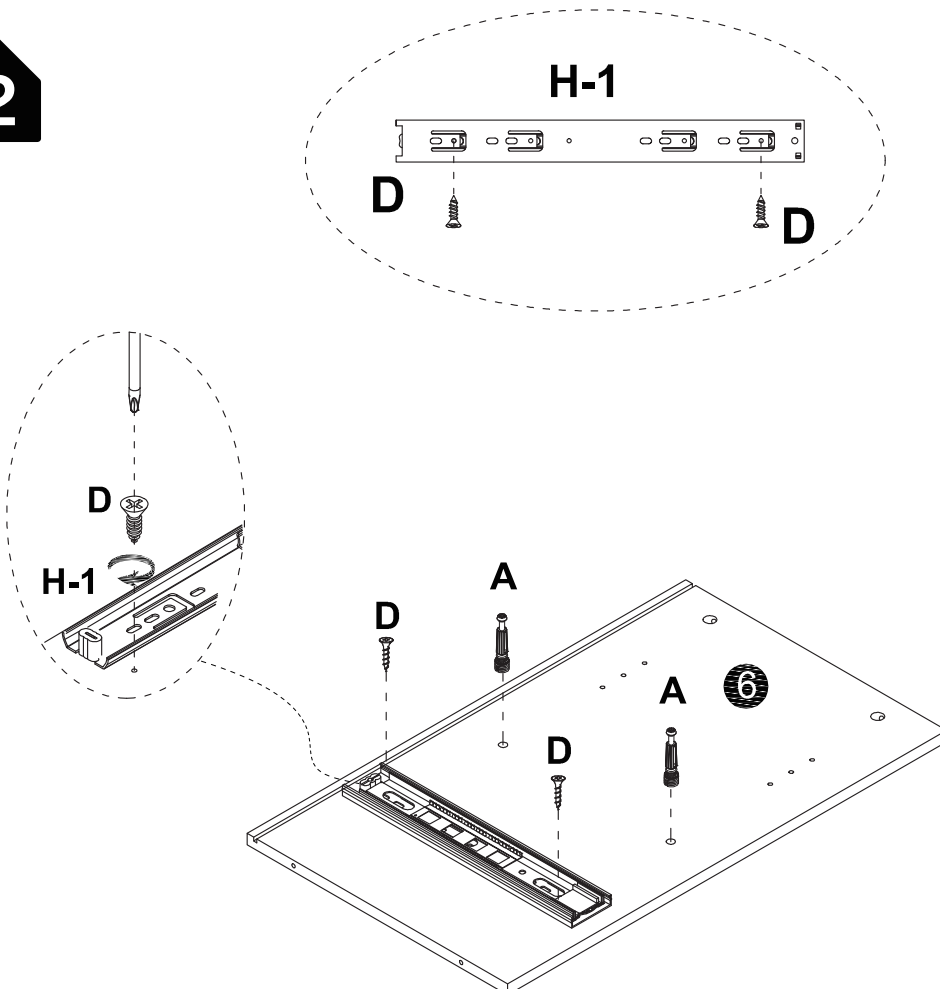


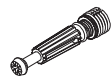


1




A

Ø6x40mm
2 pcs
D

Ø3.5x14mm
2 pcs
H

L340mm
1 pc

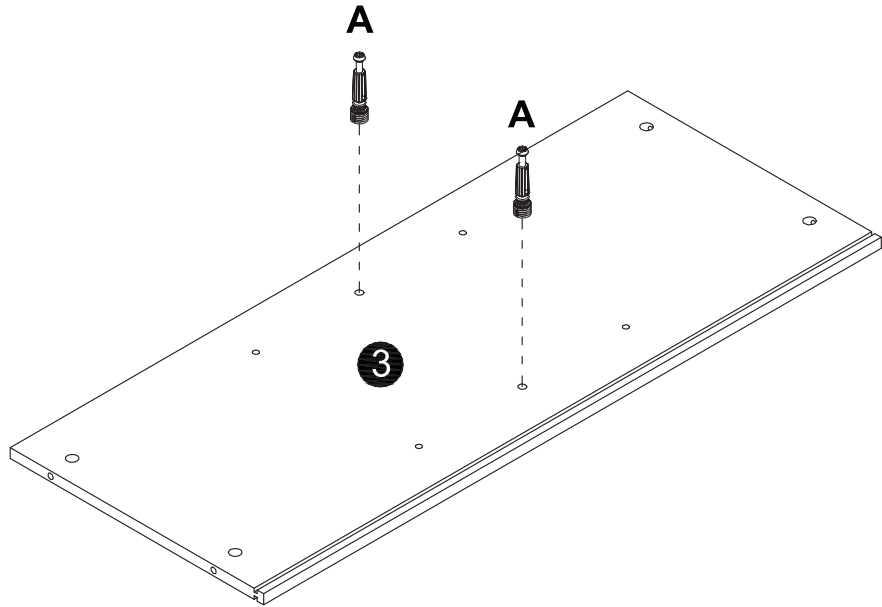
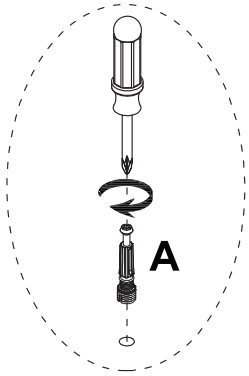
2




A

Ø6x40mm
2 pcs
D

Ø3.5x14mm
2 pcs
H

L340mm
1 pc

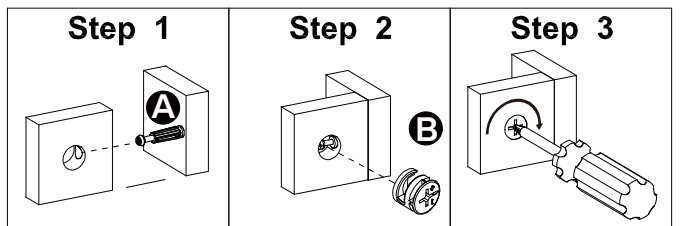
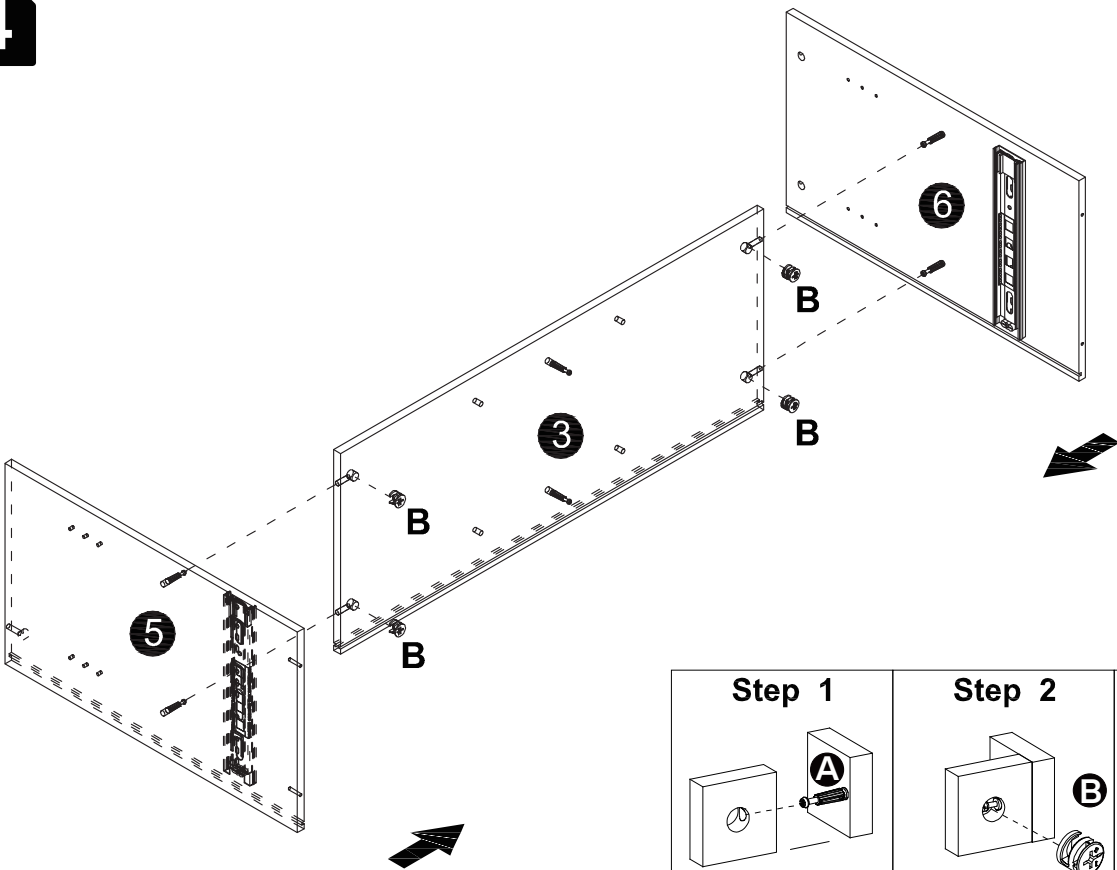
3

A

Ø6x40mm
2 pcs




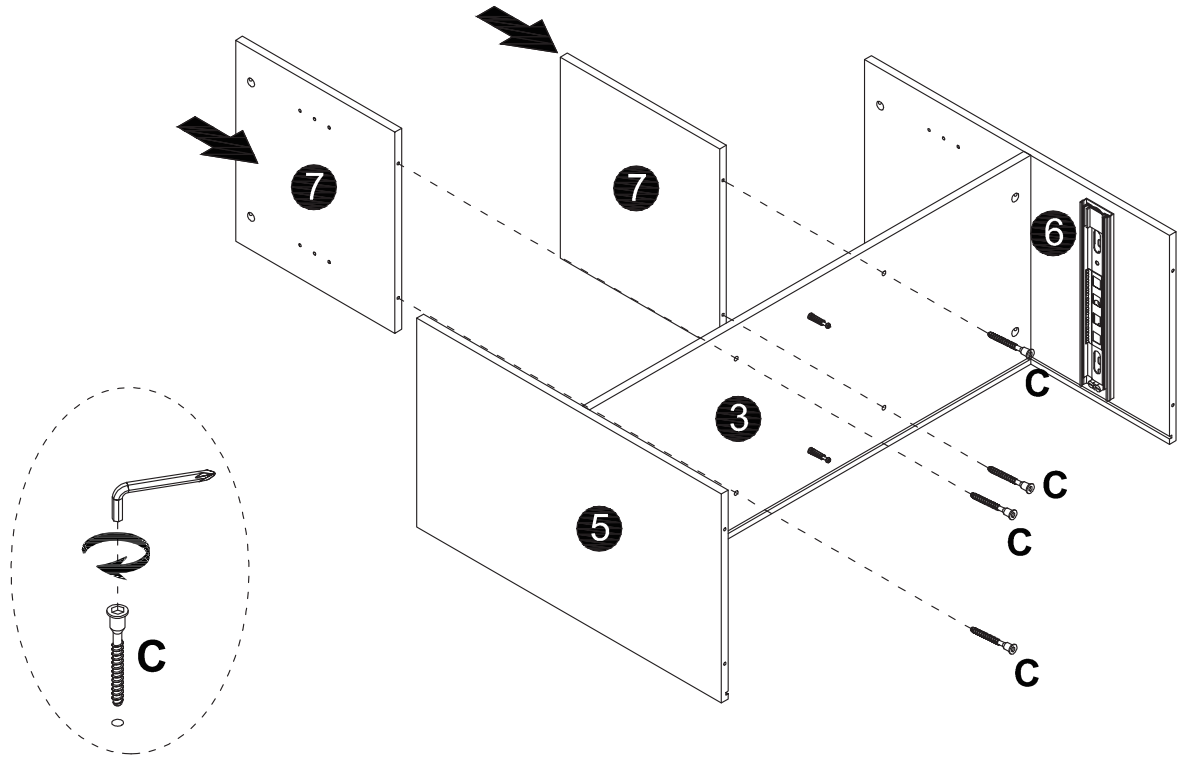
4

B

Ø15x12mm
4 pcs

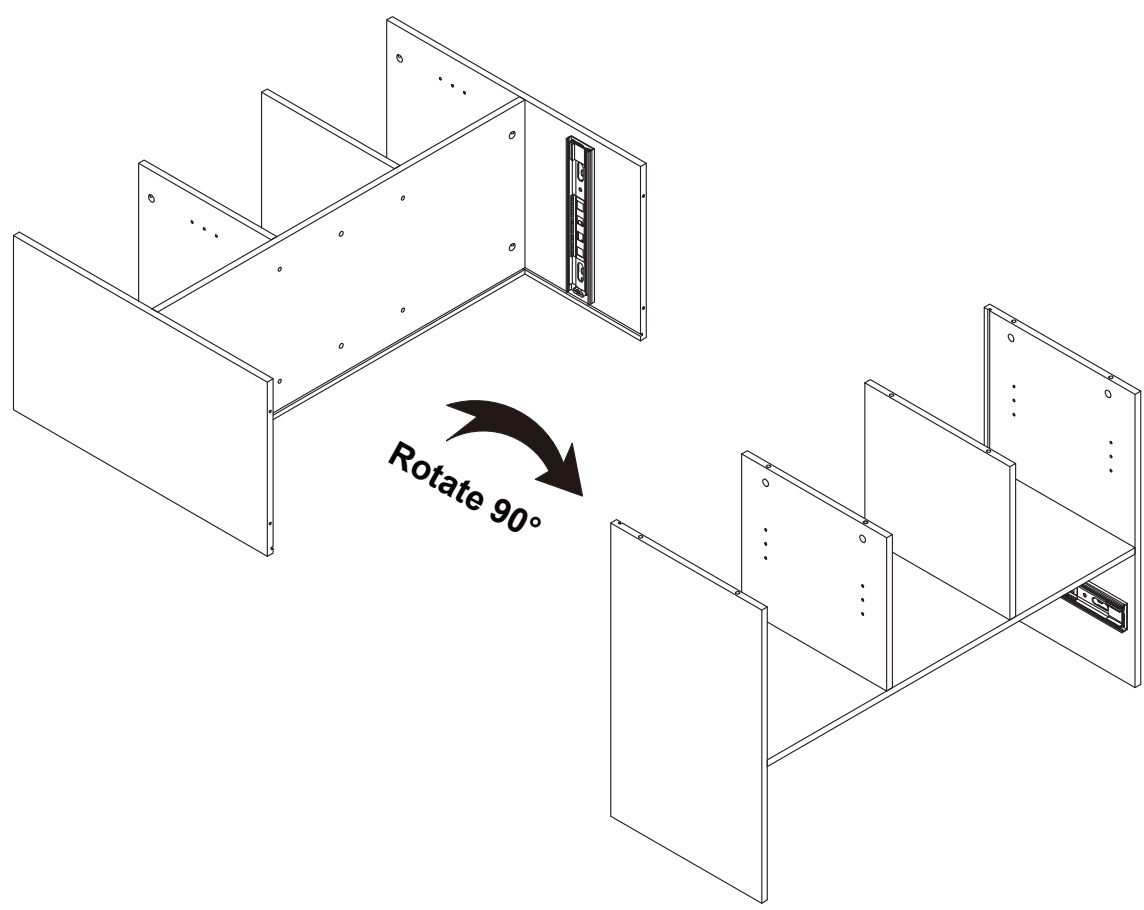


5

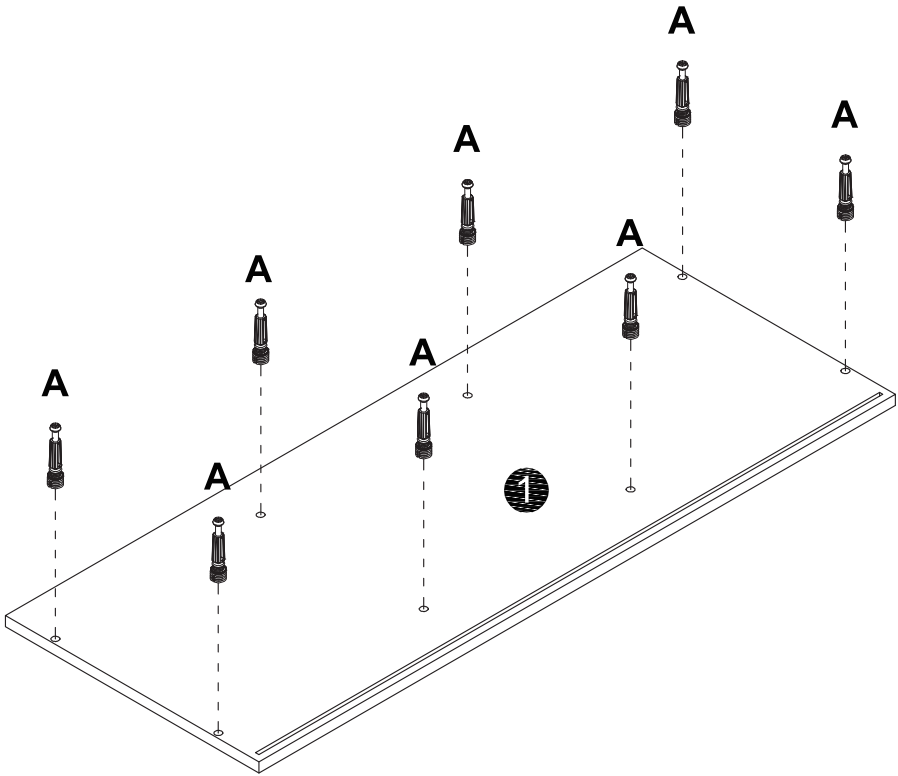
C

Ø6x38mm
4 pcs




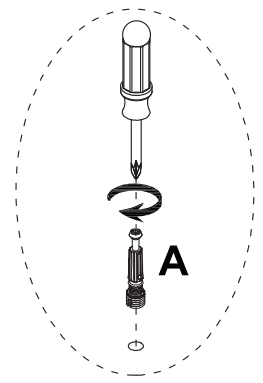
6



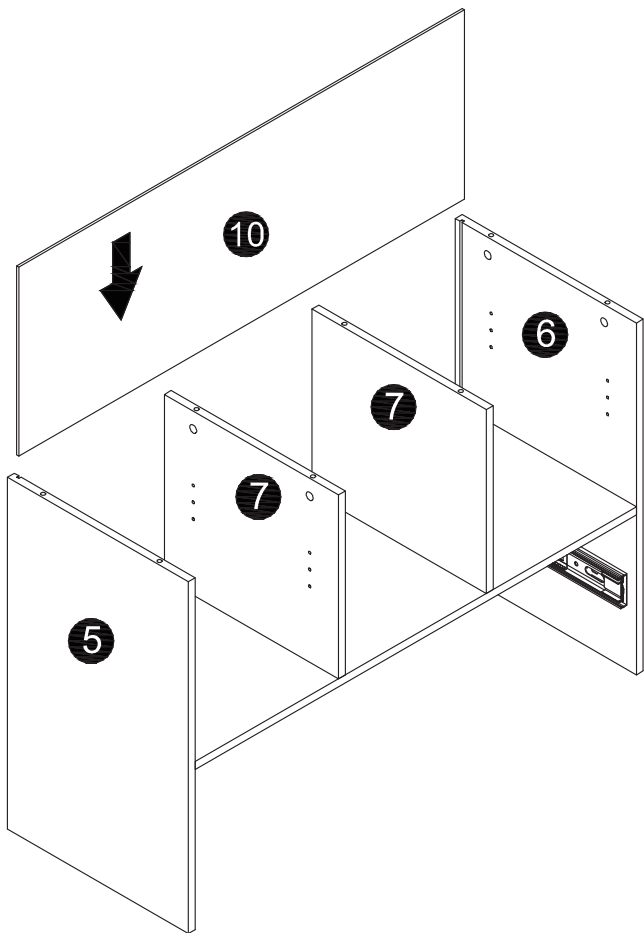
7



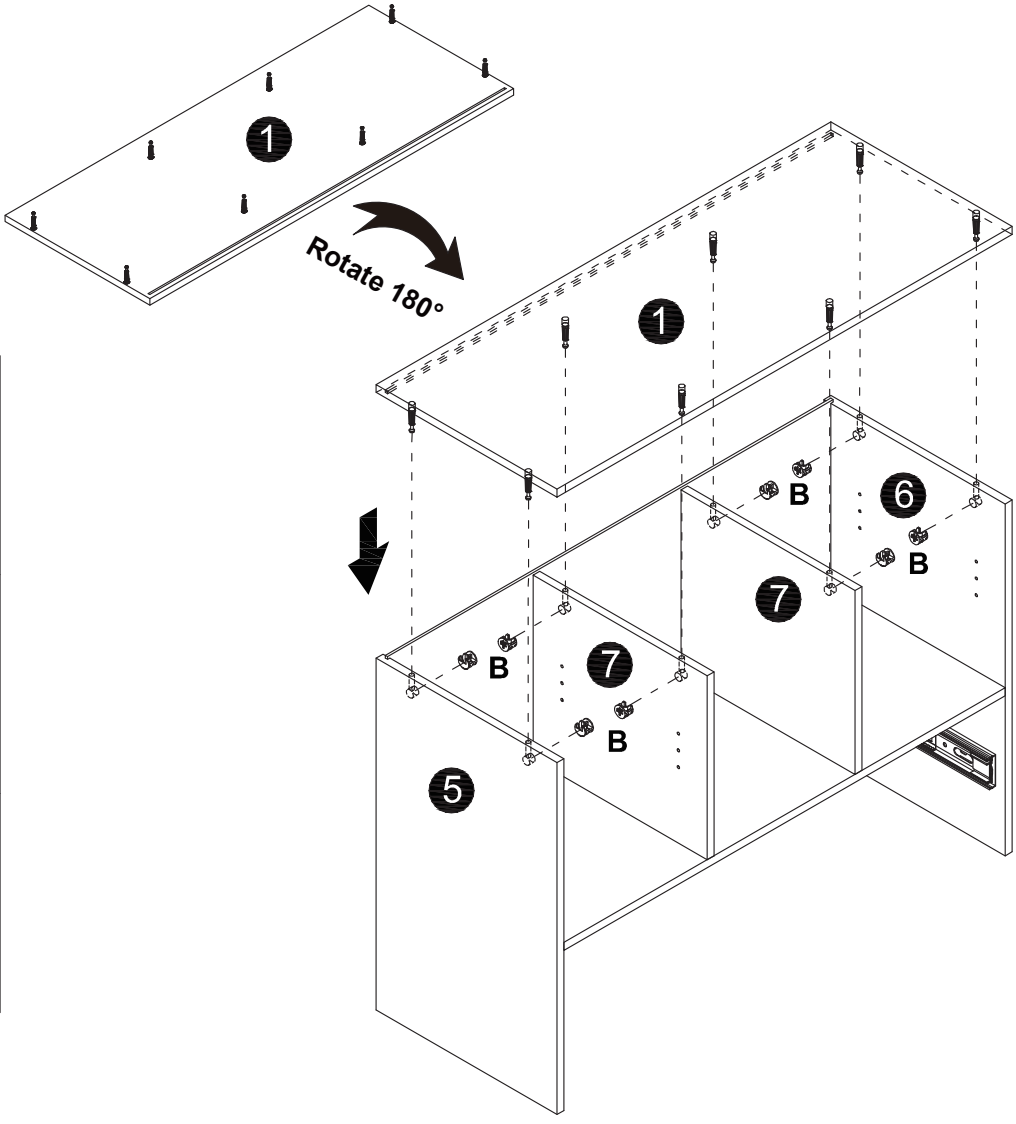
A

Ø6x40mm
8 pcs




8

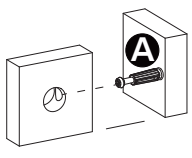


9

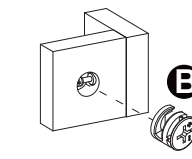


B

Ø15x12mm
8 pcs

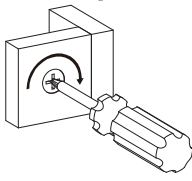
Step 1



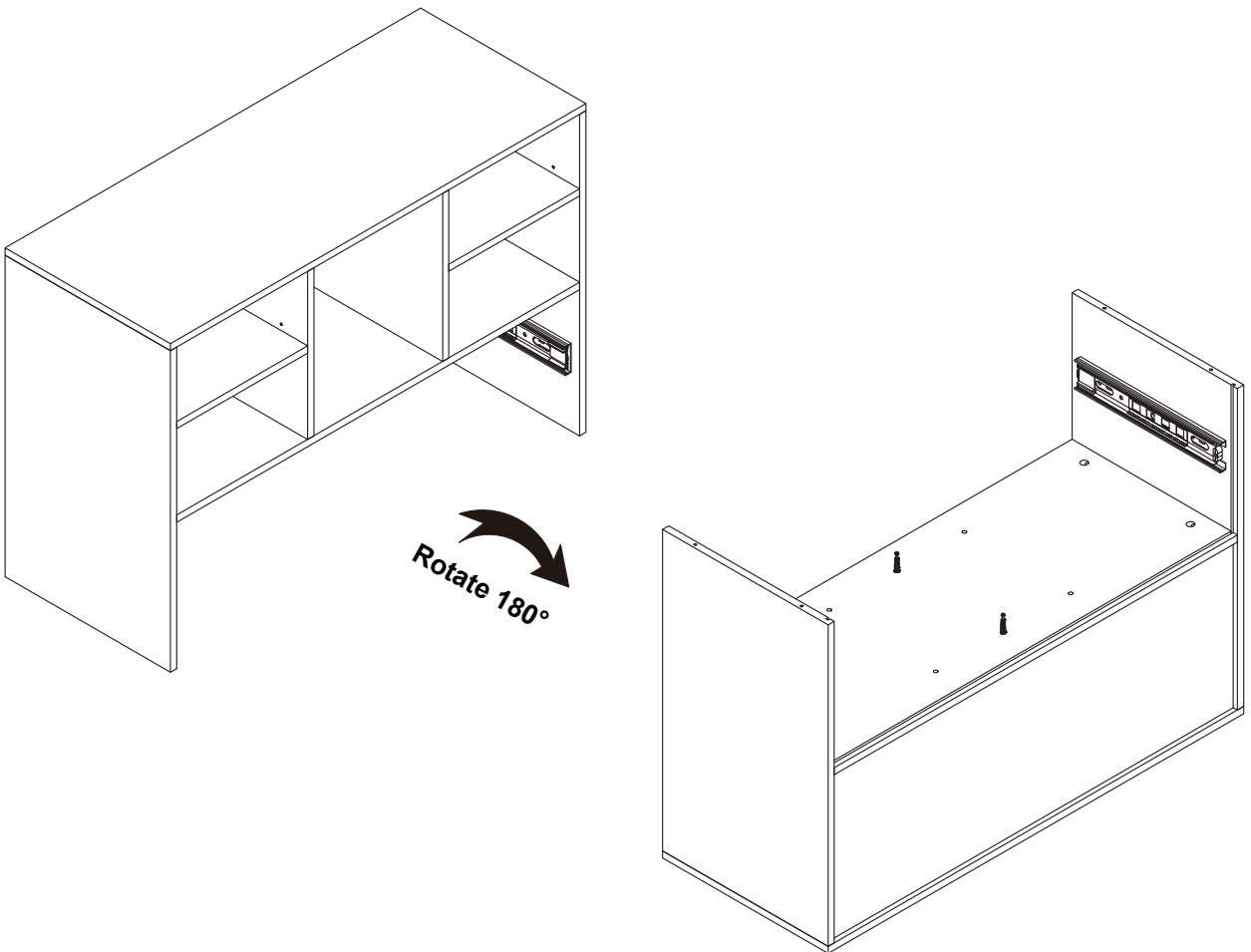
Step 2



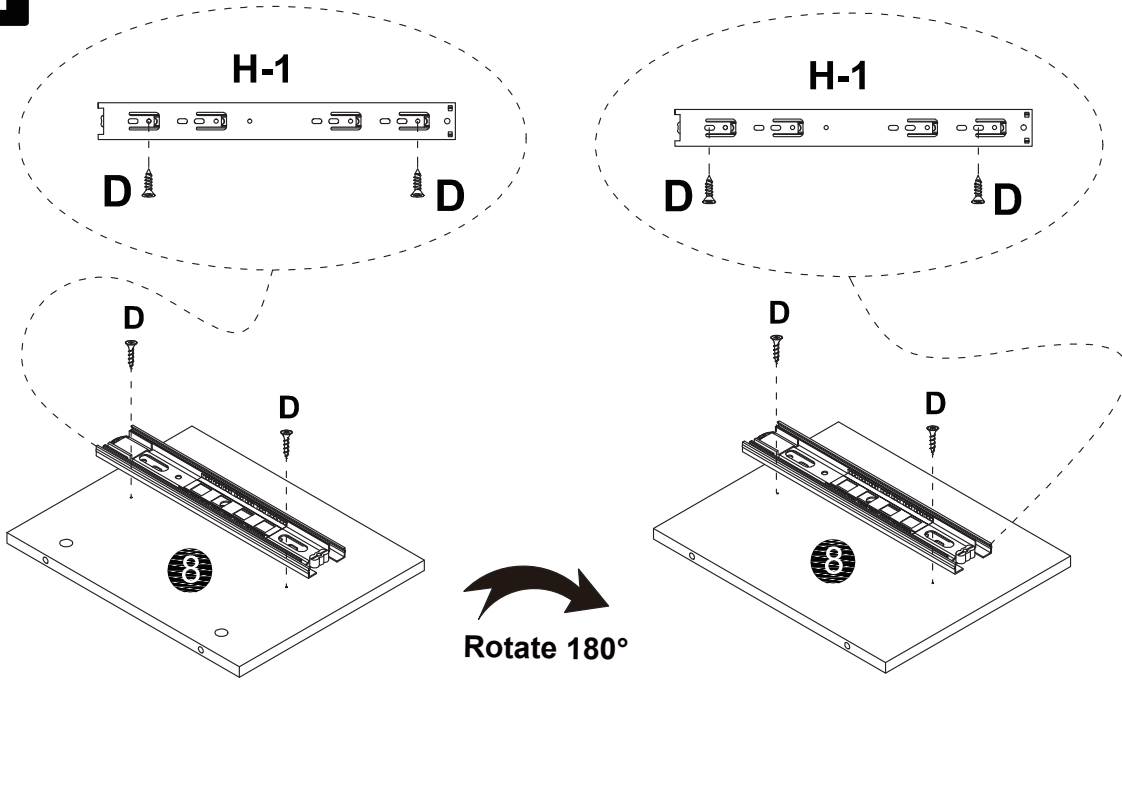
Step 3





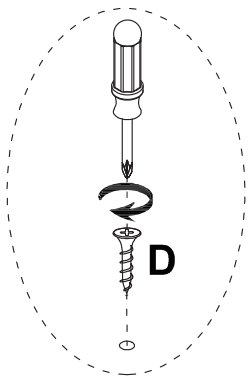
10



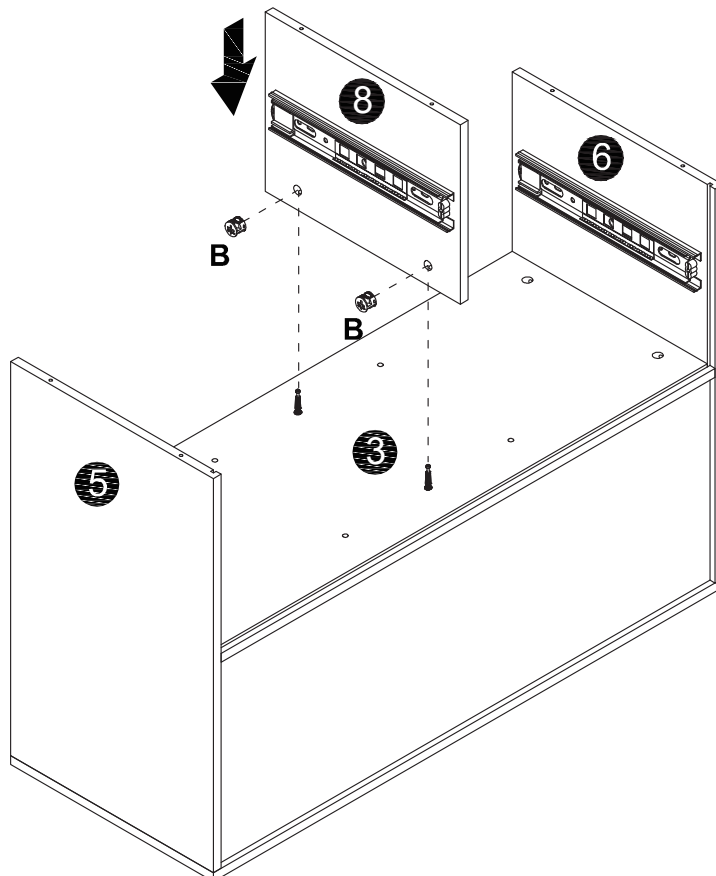
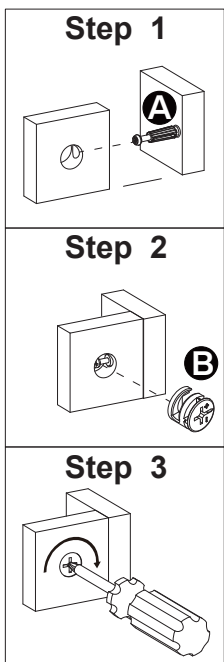
11




D

Ø3.5x14mm
4 pcs
H

L340mm
2 pc

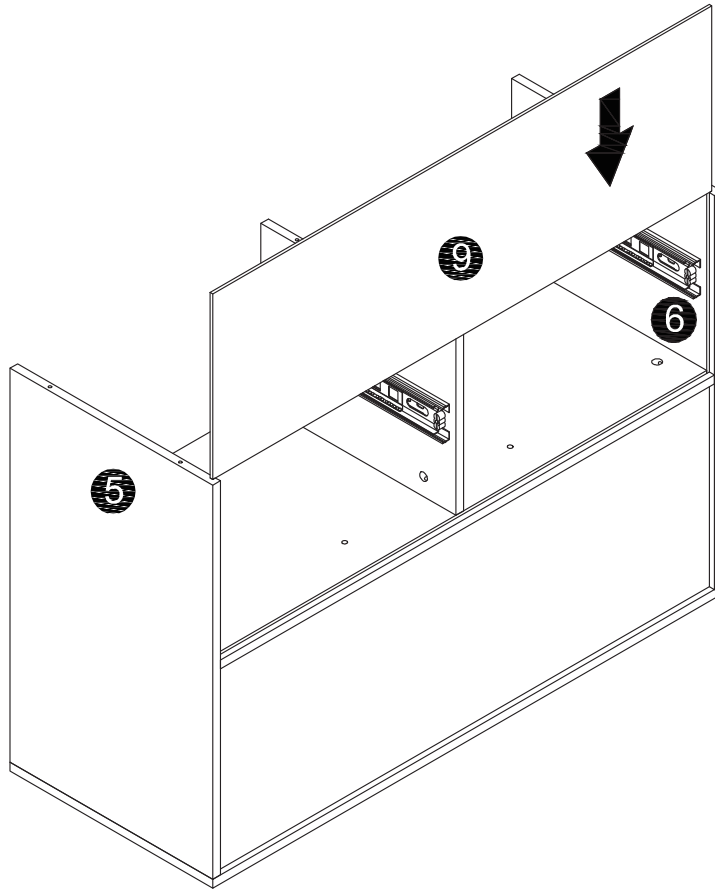


12

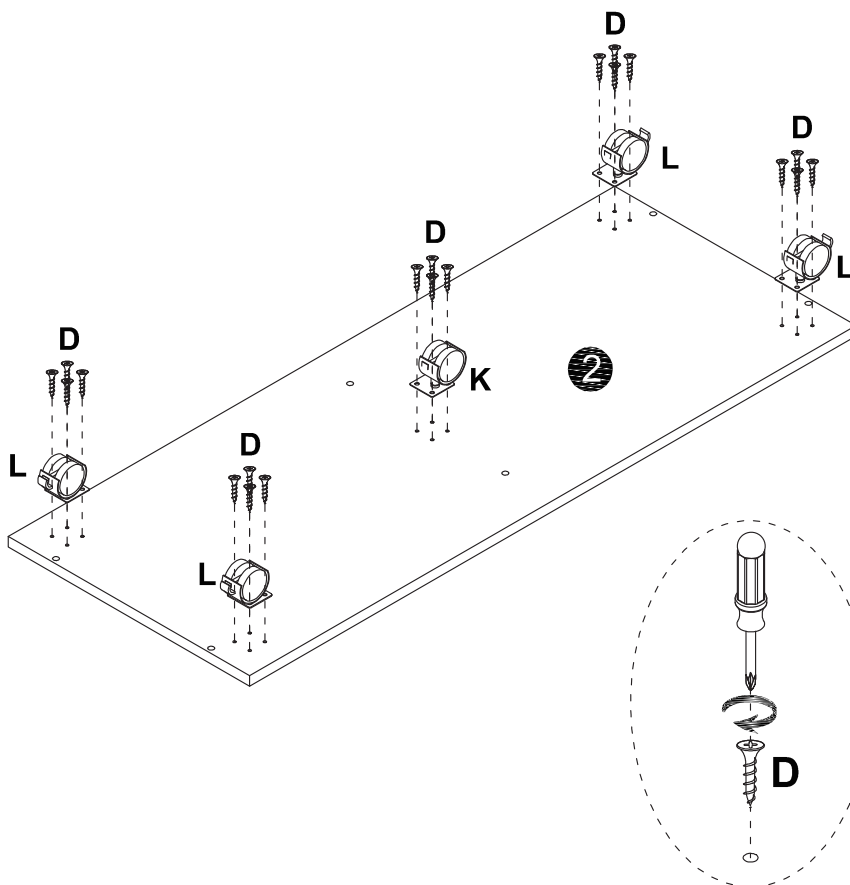





B

Ø15x12mm
2 pcs

13

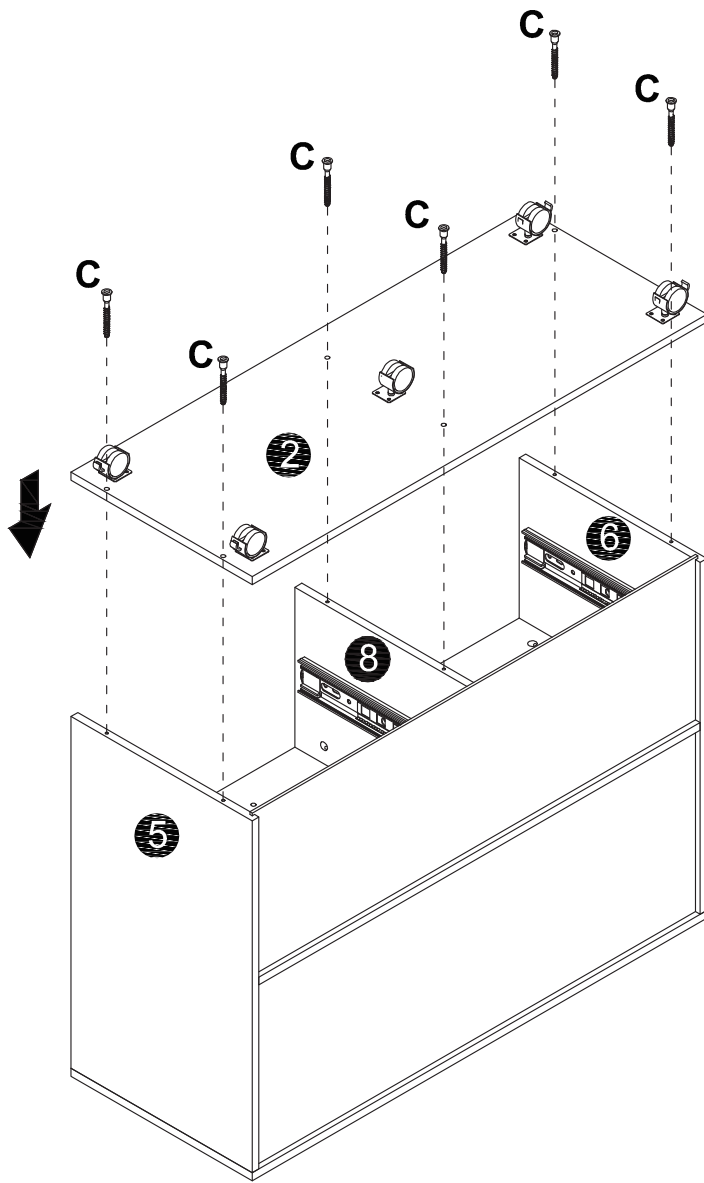



14



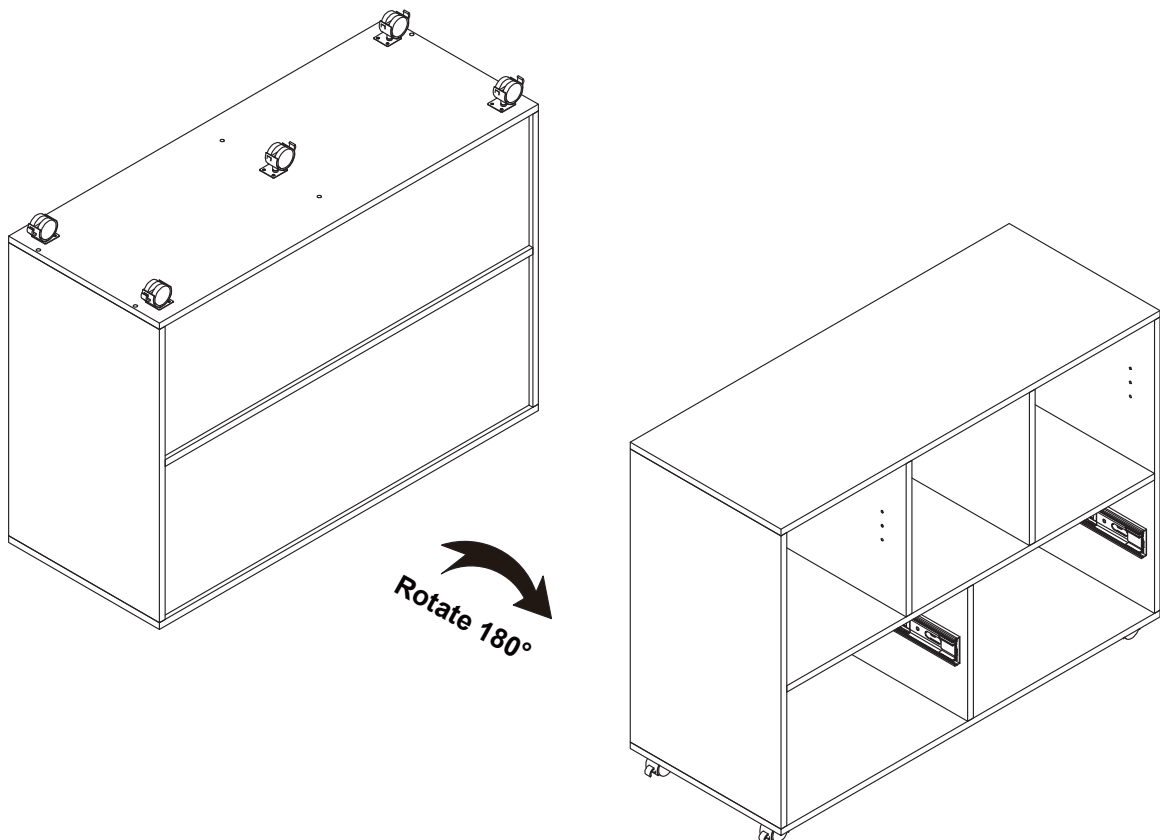
D

Ø3.5x14mm
20 pcs
K

1 pcs
L

4 pcs

15

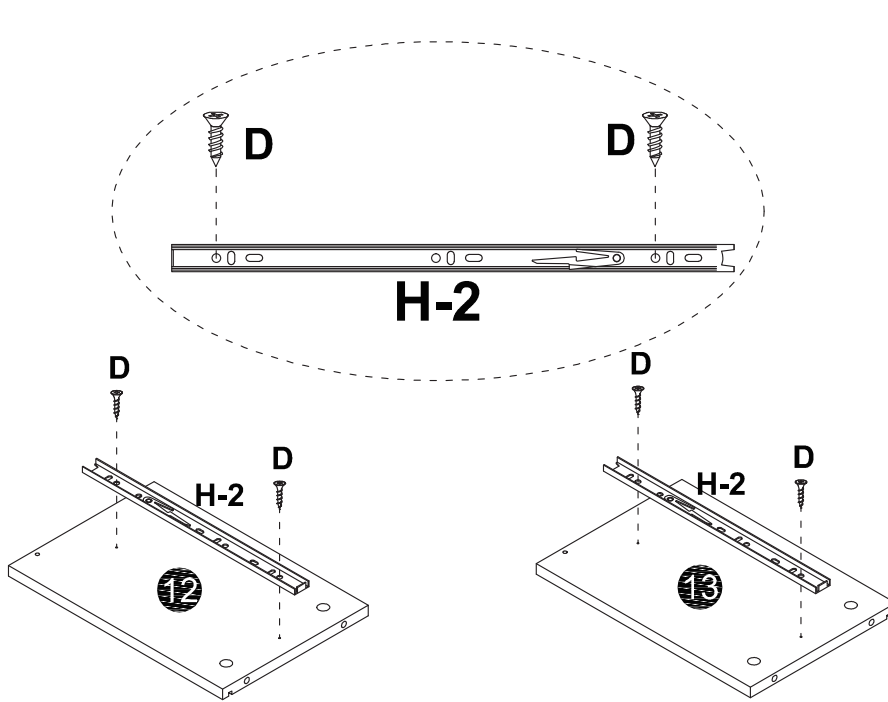




C

Ø6x38mm
6 pcs

16

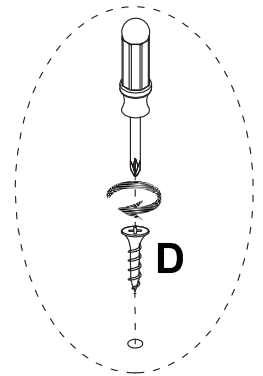


17

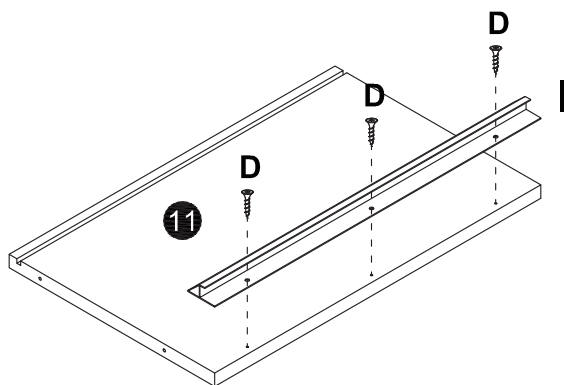




D

Ø3.5x14mm
8 pcs
H

L340mm
4 pc

x2

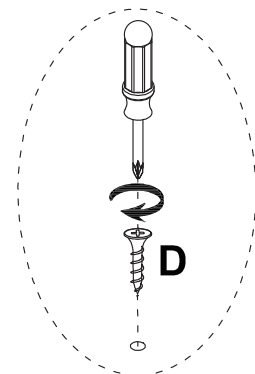


18

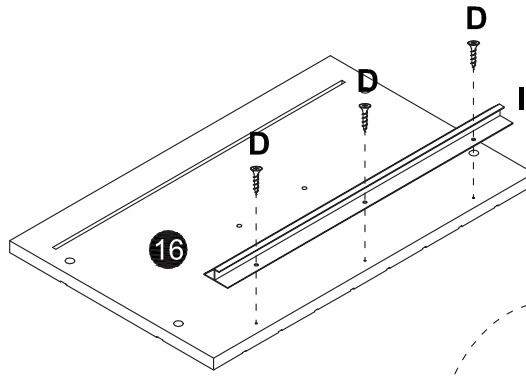
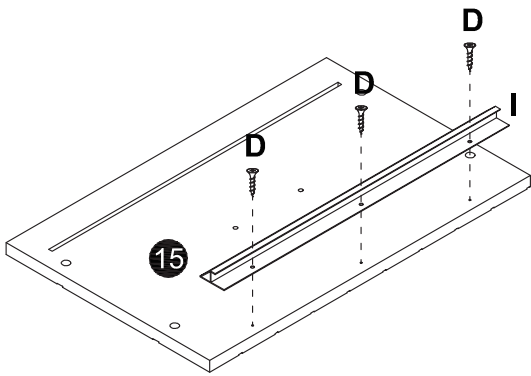




D

Ø3.5x14mm
6 pcs
I

L420mm
2 pcs

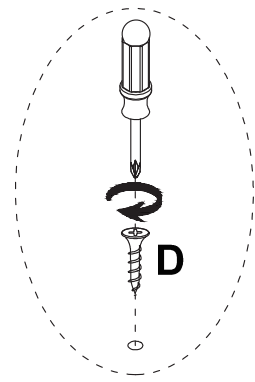
x2



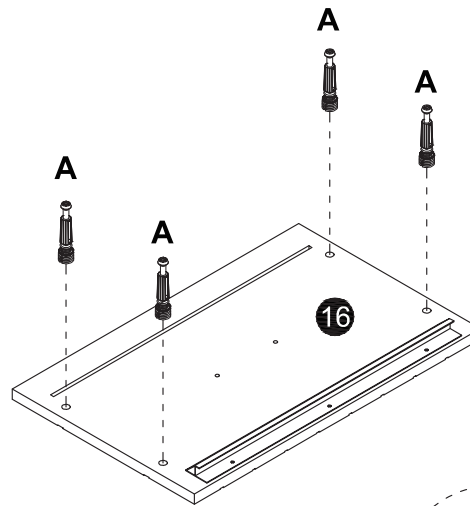
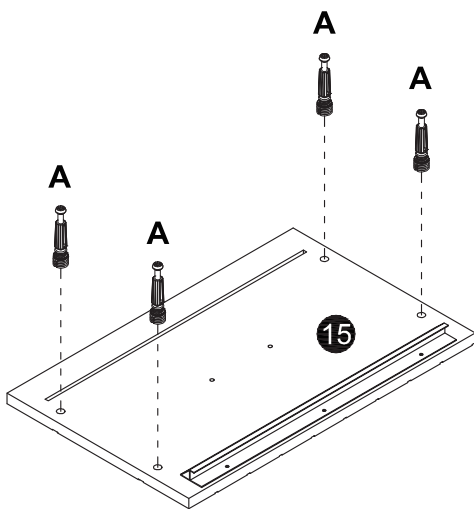
19




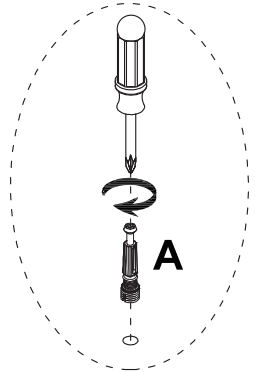
D

Ø3.5x14mm
6 pcs
I

L420mm
2 pc



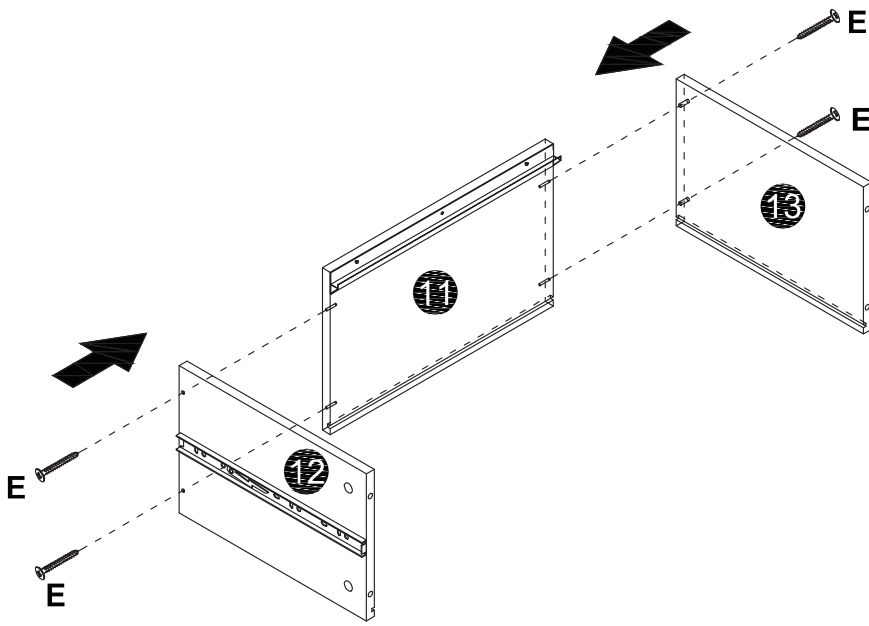
20




A

Ø6x40mm
8 pcs

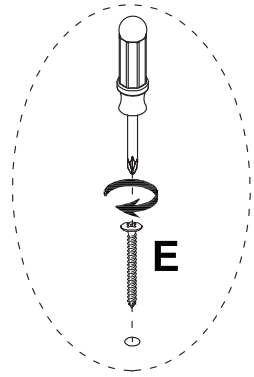


21

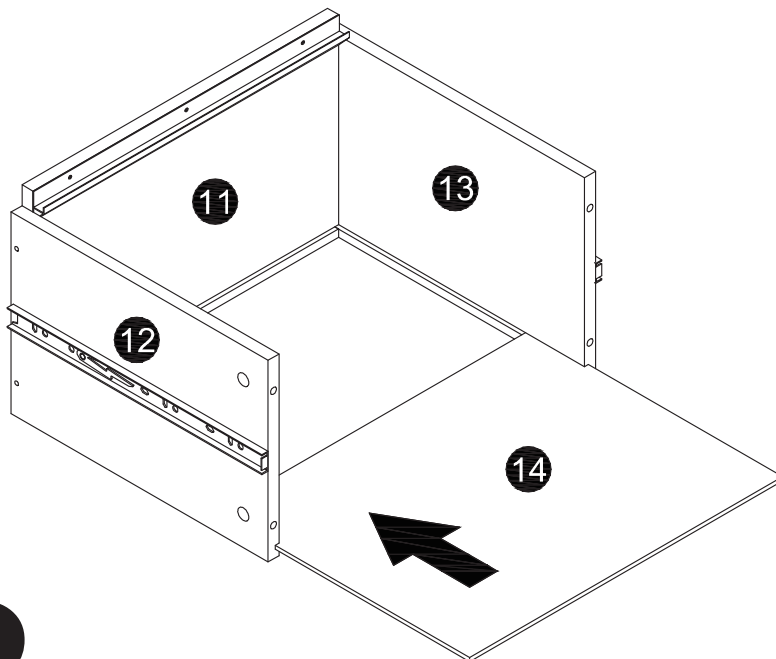


E

Ø4x35mm
8 pcs

x2



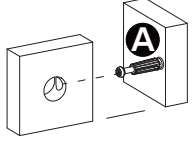
22



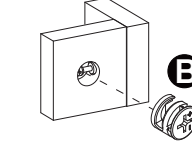
x2

23

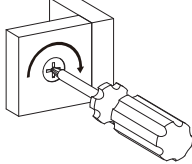
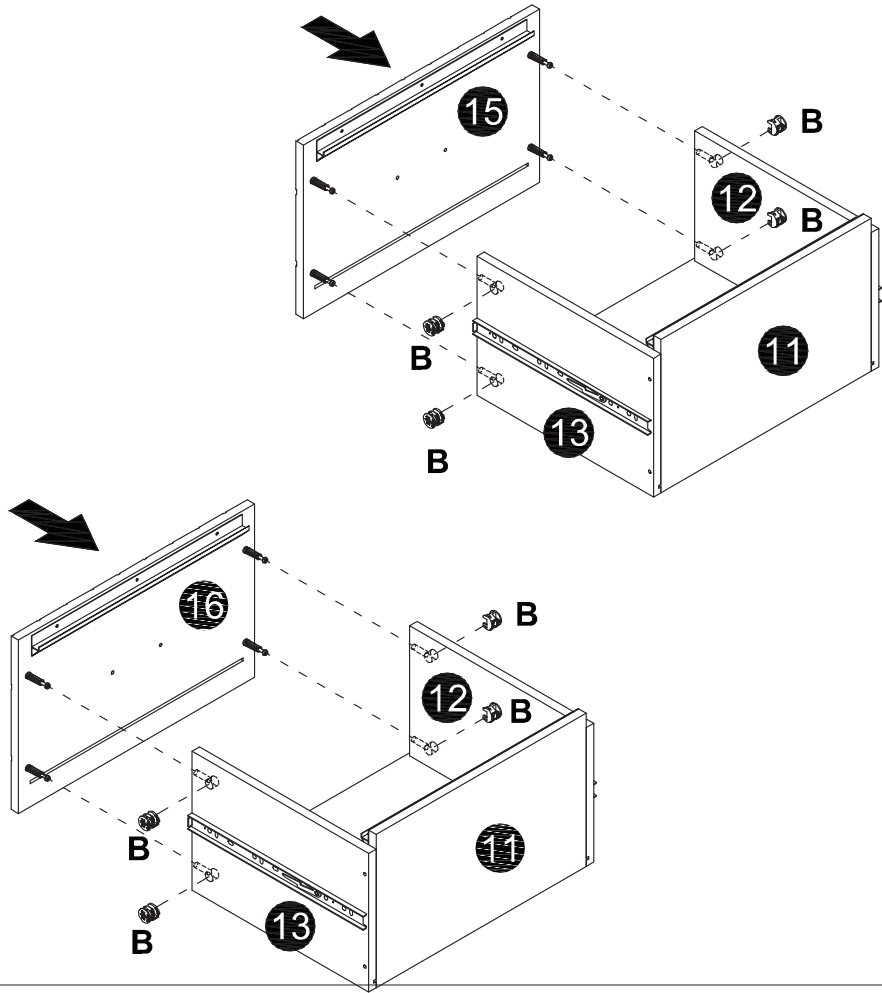
Step 1




Step 2





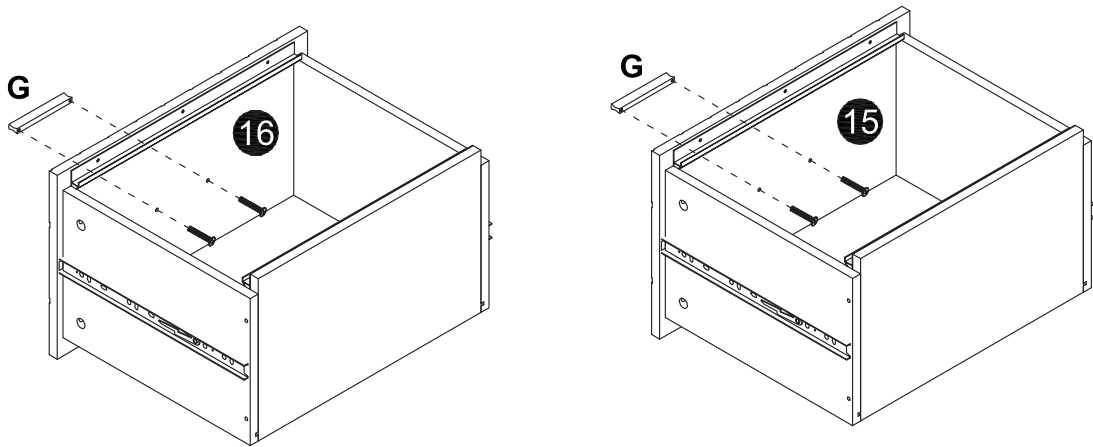
Step 3

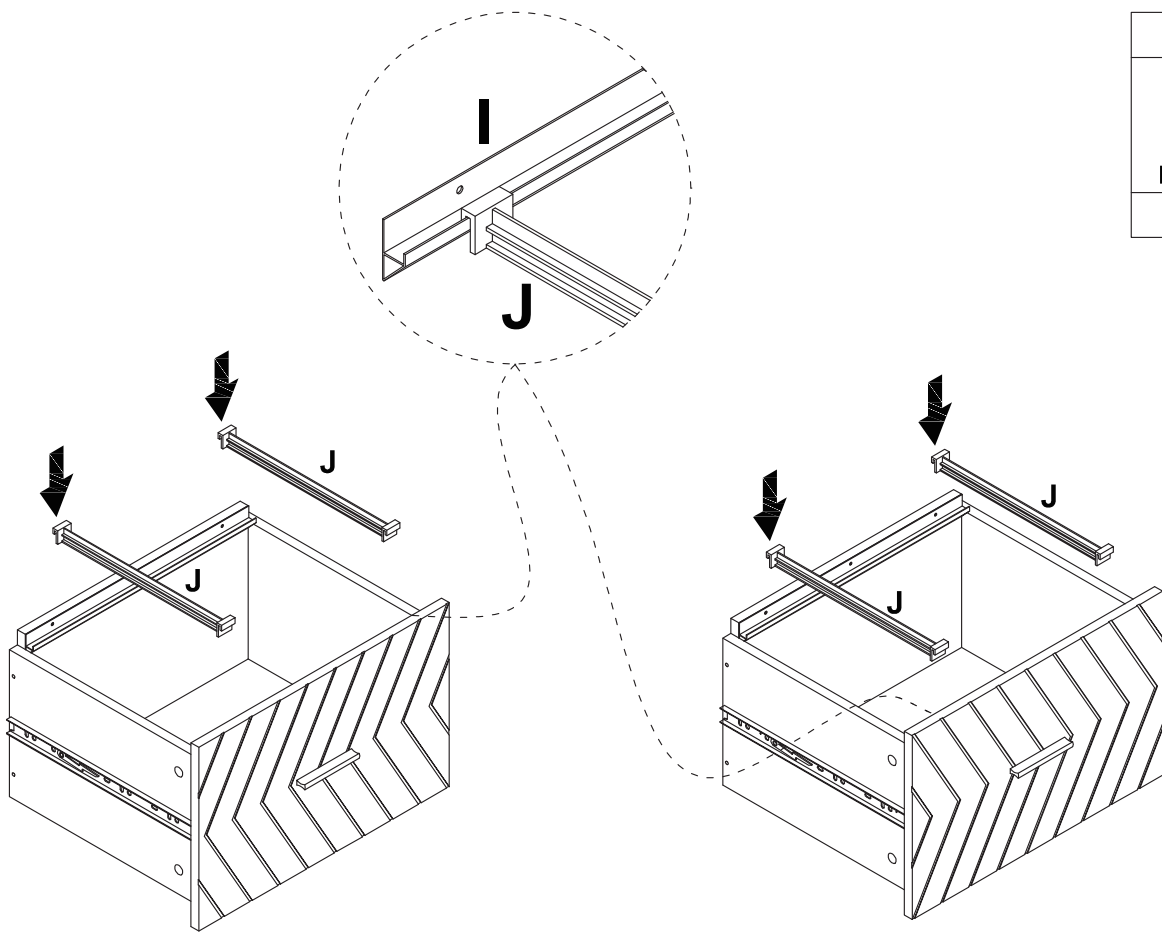
B

Ø15x12mm
8 pcs


24

G


Ø4x18mm
2 pcs

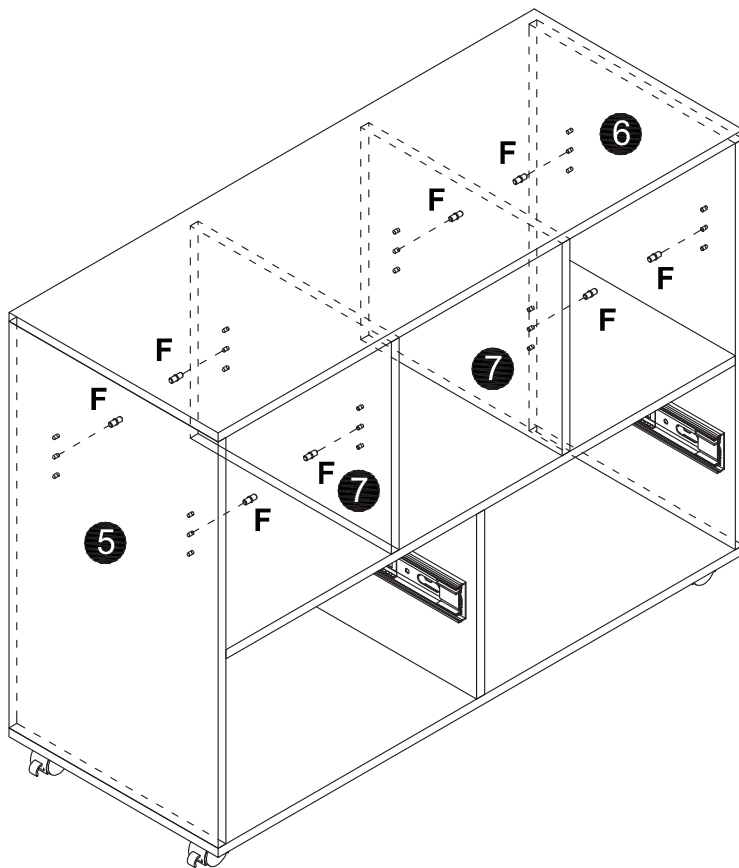


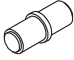
25

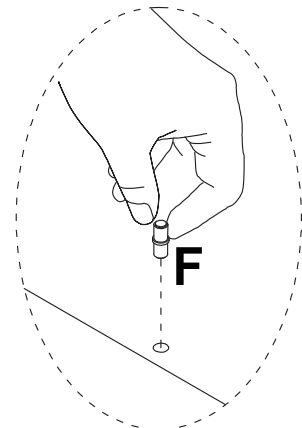


J

L318mm
4 pcs

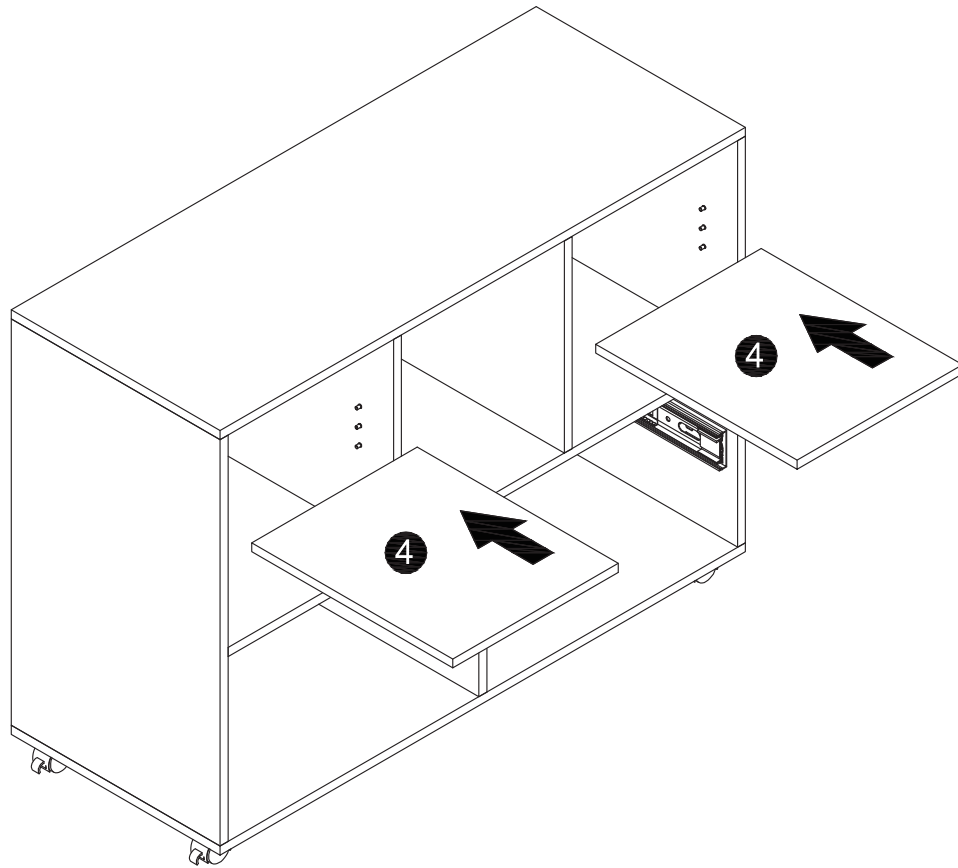
26



F

Ø5x13mm
8 pcs

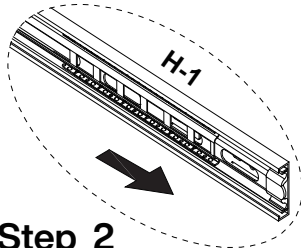


27

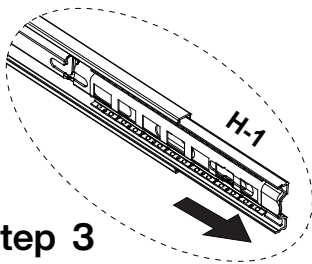


28

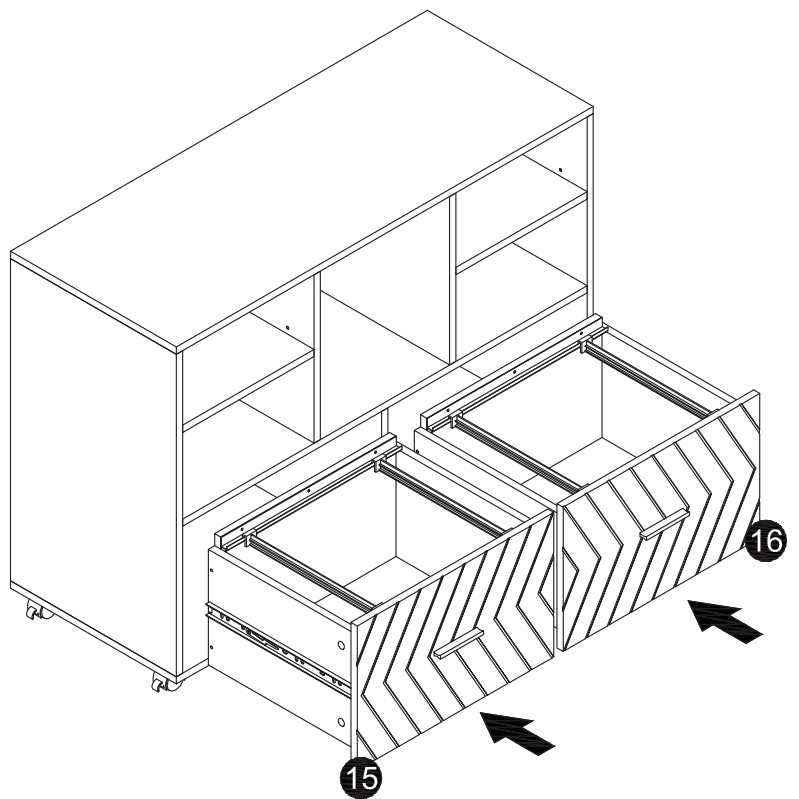
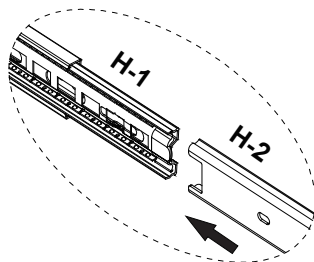
Step 1



Step 2

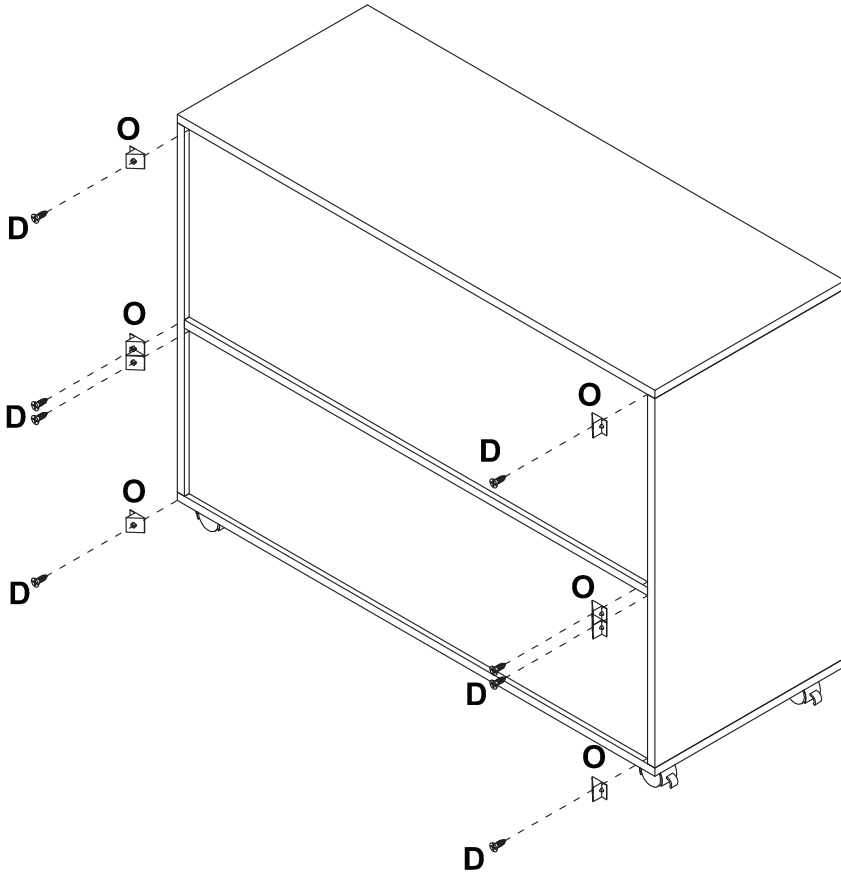




Step 3



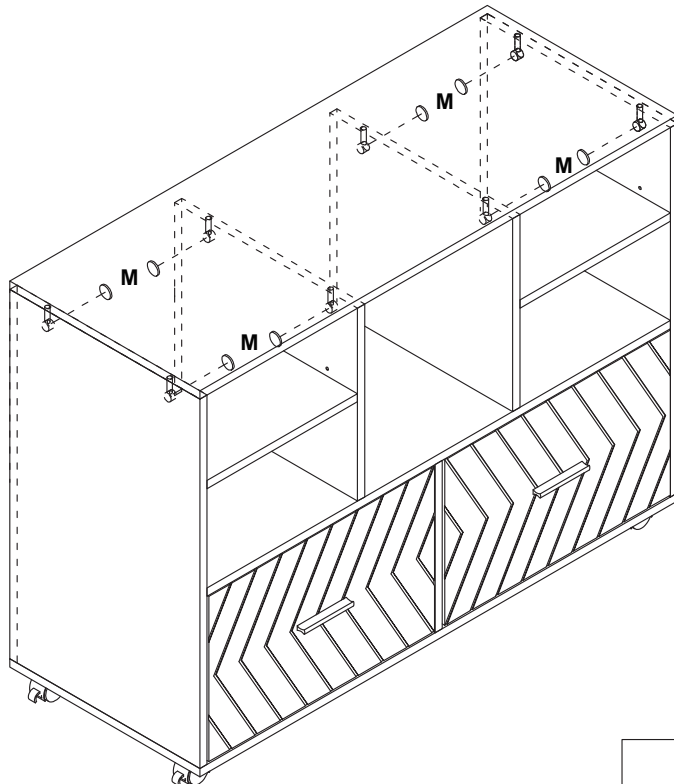
Before installation, slide the inner iron pieces of #H-1 to the outermost side. Then align it with #H-2 and gently push it inward to complete the slide installation.

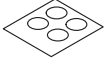
29

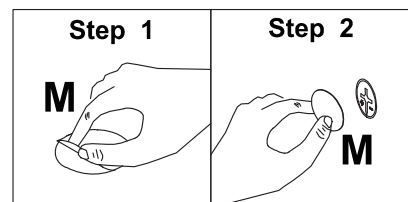


D
 Ø3.5x14mm
8 pcs
O

8 pcs

30



M

8 pcs



Thank you for your support!

