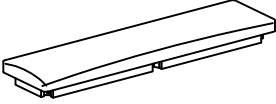







ASSEMBLY INSTRUCTIONS

Thank you for purchasing this quality product . Be sure to check all packaging material carefully for small parts that may have come loose inside the carton during shipment .

"Hardware is attached underneath the seat bottom"

Components List :

A	Bench Seat		1pc
B	Left Bench Leg		2pcs
C	Right Bench Leg		2pcs
D	Center Bench Leg		2pcs
E	Front Stretcher		4pcs
F	Side Stretcher		3pcs

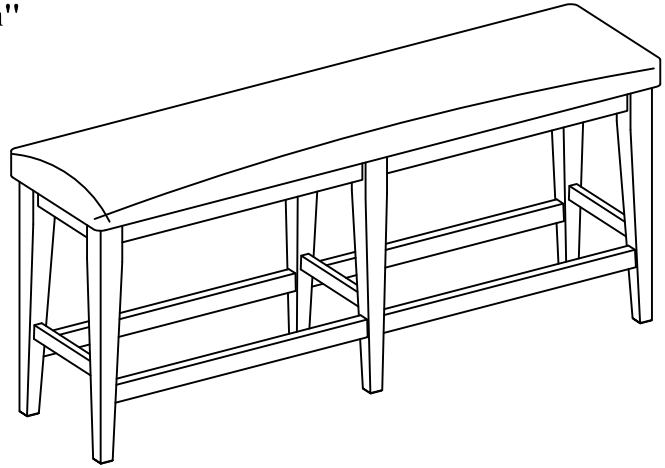


Illustration 1

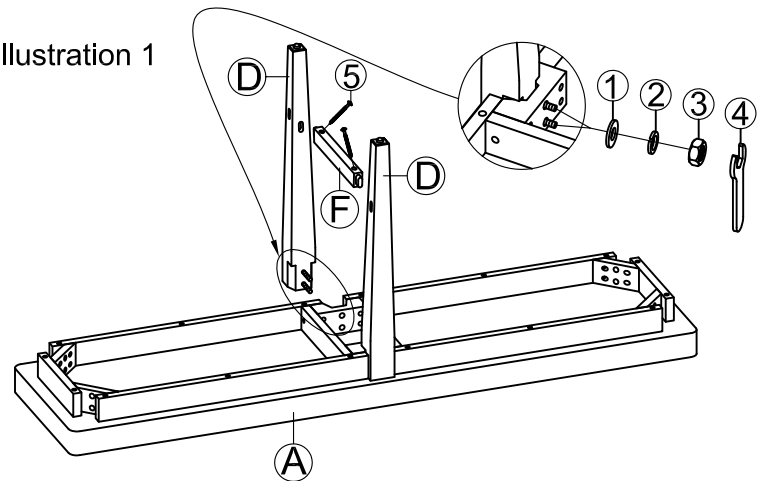




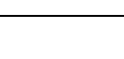


Illustration 2

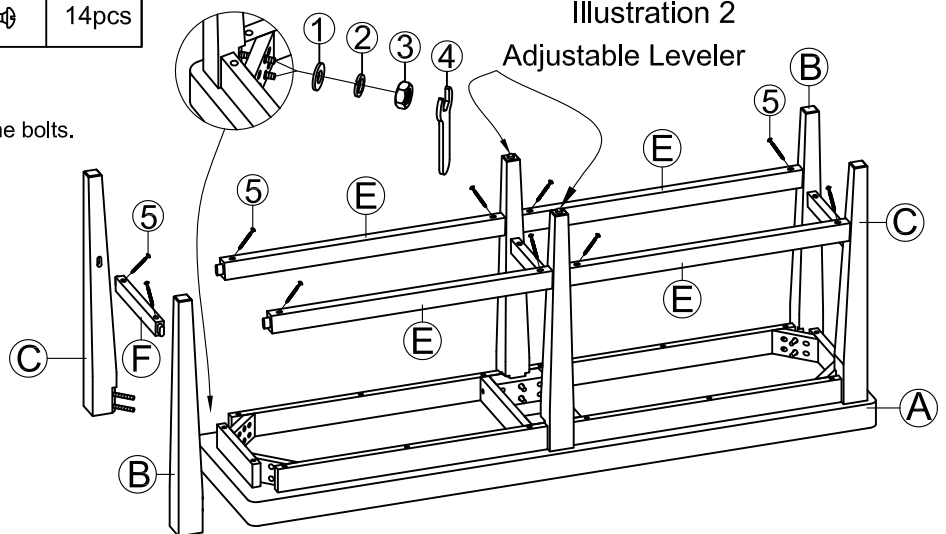
Adjustable Leveler

Hardware List :

1	Flat Washer $\varnothing 19 \times 5/16"$		12pcs
2	Spring Washer $\varnothing 13 \times 5/16"$		12pcs
3	Hex-Nut $5/16"$		12pcs
4	Hex-Nut $5/16"$		1pc
5	Wood Screw $\varnothing 8 \times 50$ mm		14pcs

Reminders

1. Use only the hardware supplied.
2. Once the chair is finished, level and tighten all the bolts.
3. Do not over-tighten bolts.
4. This item may require periodic tightening.



Step 1. Attached Center Bench Leg (D) to Bench Seat (A), attached Side Stretcher (F) to Center Bench Leg (D) as shown on illustration 1.

Step 2. Attached Right and Left Bench Legs (B & C) to Bench Seat (A), insert and attached Front Stretcher (E) to Right and Left Bench Leg (B & C) and Center Bench Leg (D). Insert Side Stretcher (F) to Left and Right Bench Legs (B & C) as shown on illustration 2.

Assembly is now complete
Thank you for choosing this product.