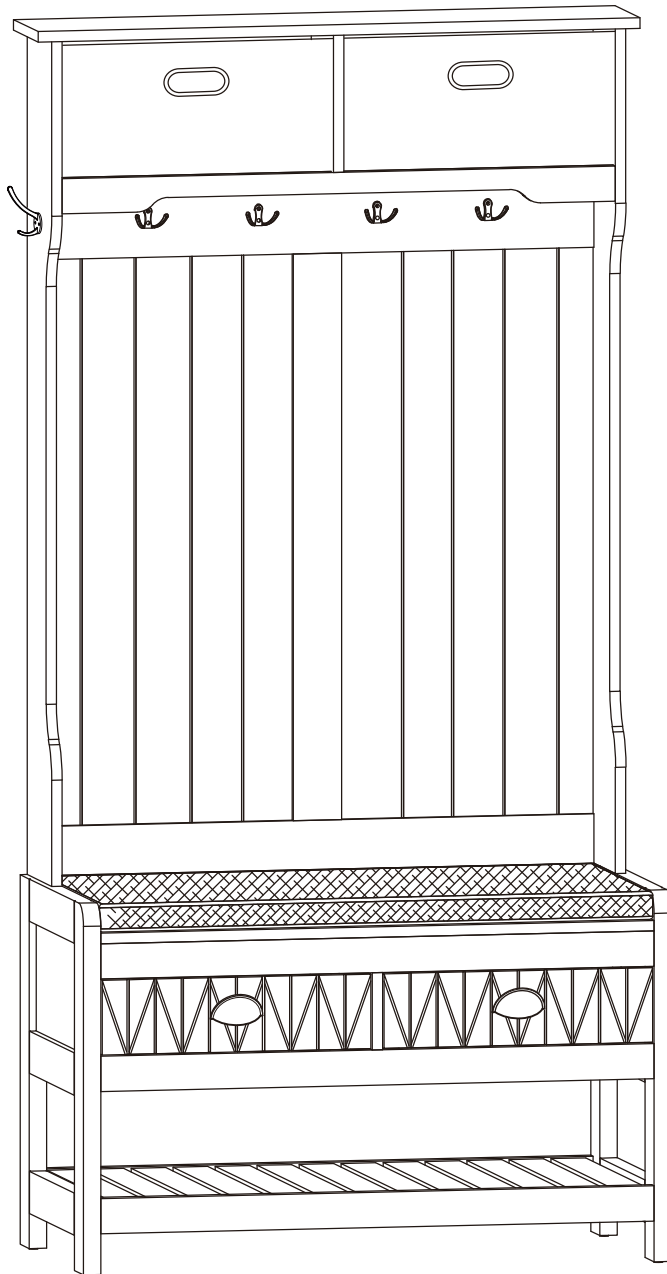


HALL TREE

Assembly Instructions - Please keep for future reference



Dimensions

Width- 33.46 inch

Depth- 16.14 inch

Height-68.90 inch

Important - Please read these instructions fully before starting assembly

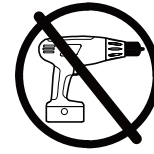


Safety and Care Advice

Important – Please read these instructions fully before starting assembly

- Check you have all the components and tools listed on the following pages.
- Remove all fittings from the plastic bags and separate them into their groups.
- Keep children and animals away from the work area, small parts could choke if swallowed.
- Make sure you have enough space to layout the parts before starting.

- During assembly do not stand or put weight on the product, this could cause damage.
- Assemble the item as close to its final position (in the same room) as possible.
- Assemble on a soft level surface to avoid damaging the unit or your floor.
- Parts of the assembly will be easier with 2 people.



power drill is set on a low torque setting.

- To reduce the likelihood of damaging your product please ensure that your

Care and maintenance

- Only clean using a damp cloth and mild detergent, do not use bleach or abrasive cleaners.
- From time to time check that there are no loose screws on this unit.
- This product should not be discarded with household waste. Take to your local authority waste disposal centre.

Handy Hints

- Assemble all parts and bolts loosely during assembly, only once the product is complete should you fully tighten the bolts
- Regularly check and ensure That all bolts and fittings are tightened properly.

WARNING
In order to help prevent overturning – please follow these instructions

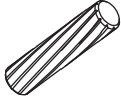
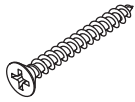


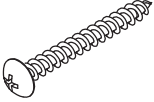

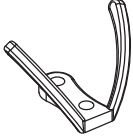
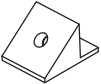
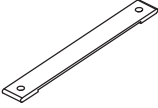
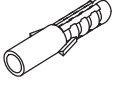


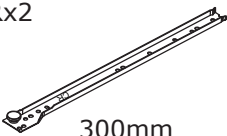
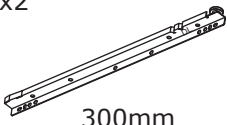
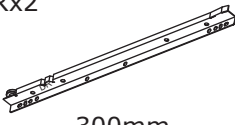
To help prevent product toppling over please follow the below steps:-

Use the anti tip stap or wall fixing method provided (if applicable)
Do not allow children to climb or hang on the furniture
Do not open more than one drawer at a time
Do not place heavy items in the top drawers
Do not place heavy items on top of the furniture, unless the furniture has been designed for this purpose

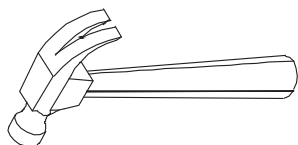
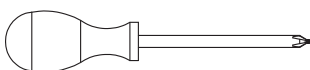
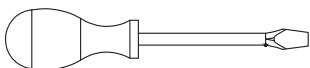
Components - Fittings

Please check you have all the panels listed below

Note: The quantities below are the correct amount to complete the assembly. In some cases more fittings may be supplied than are required.

<p>Ax36</p>  <p>Ø6x35mm</p>	<p>Bx36</p>  <p>Ø15x10mm</p>	<p>Cx56</p>  <p>Ø6x30mm</p>	<p>Dx13</p>  <p>Ø4x40mm</p>
<p>Ex12</p>  <p>Ø6x60mm</p>	<p>Fx1</p>  <p>M4mm</p>	<p>Gx12</p>  <p>Ø10x10mm</p>	<p>Hx21</p>  <p>Ø20mm</p>
<p>Ix24</p>  <p>Ø3.5x12mm</p>	<p>Jx4</p>  <p>Ø4x35mm</p>	<p>Kx4</p>  <p>Ø15mm</p>	<p>Lx4</p> 
<p>Mx12</p> 	<p>Nx28</p> 	<p>Ox28</p>  <p>Ø3x16mm</p>	<p>Px3</p> 
<p>Qx8</p>  <p>Ø4x14mm</p>	<p>Rx2</p> 	<p>Sx4</p> 	<p>Tx2</p>  <p>Ø6x30mm</p>
<p>Ux2</p> 	<p>Vx4</p> 	<p>Wx2</p> 	<p>CLx2</p>  <p>300mm</p>
<p>CRx2</p>  <p>300mm</p>	<p>DLx2</p>  <p>300mm</p>	<p>DRx2</p>  <p>300mm</p>	

Tools required Not Included



Phillips screwdriver
(medium & large)

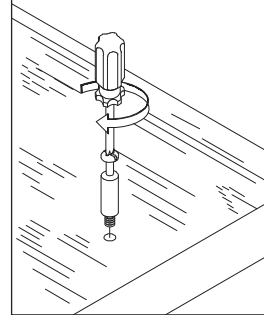
Using Camlocks

Step 1

Connect the male camlock as directed in the assembly instructions using a screwdriver.

1

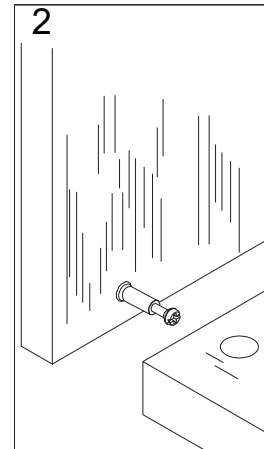
DO NOT OVER TIGHTEN.
NE PAS SERRER EXCESSIVEMENT.



Step 2

Push the male camlock into the entry hole.

2

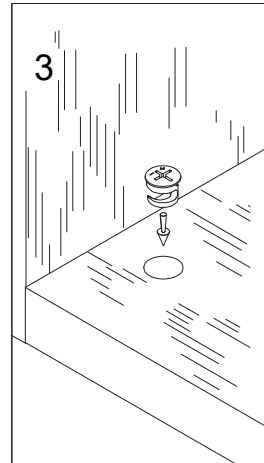


Step 3

Insert the female camlock as shown in the instruction.

Note: ensure that the arrow on the top of the camlock points towards the entry hole for the male camlock.

3



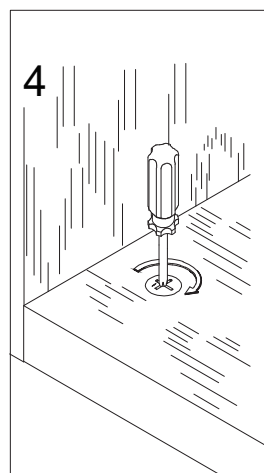
Step 4

Turn the female camlock clockwise with a screwdriver.

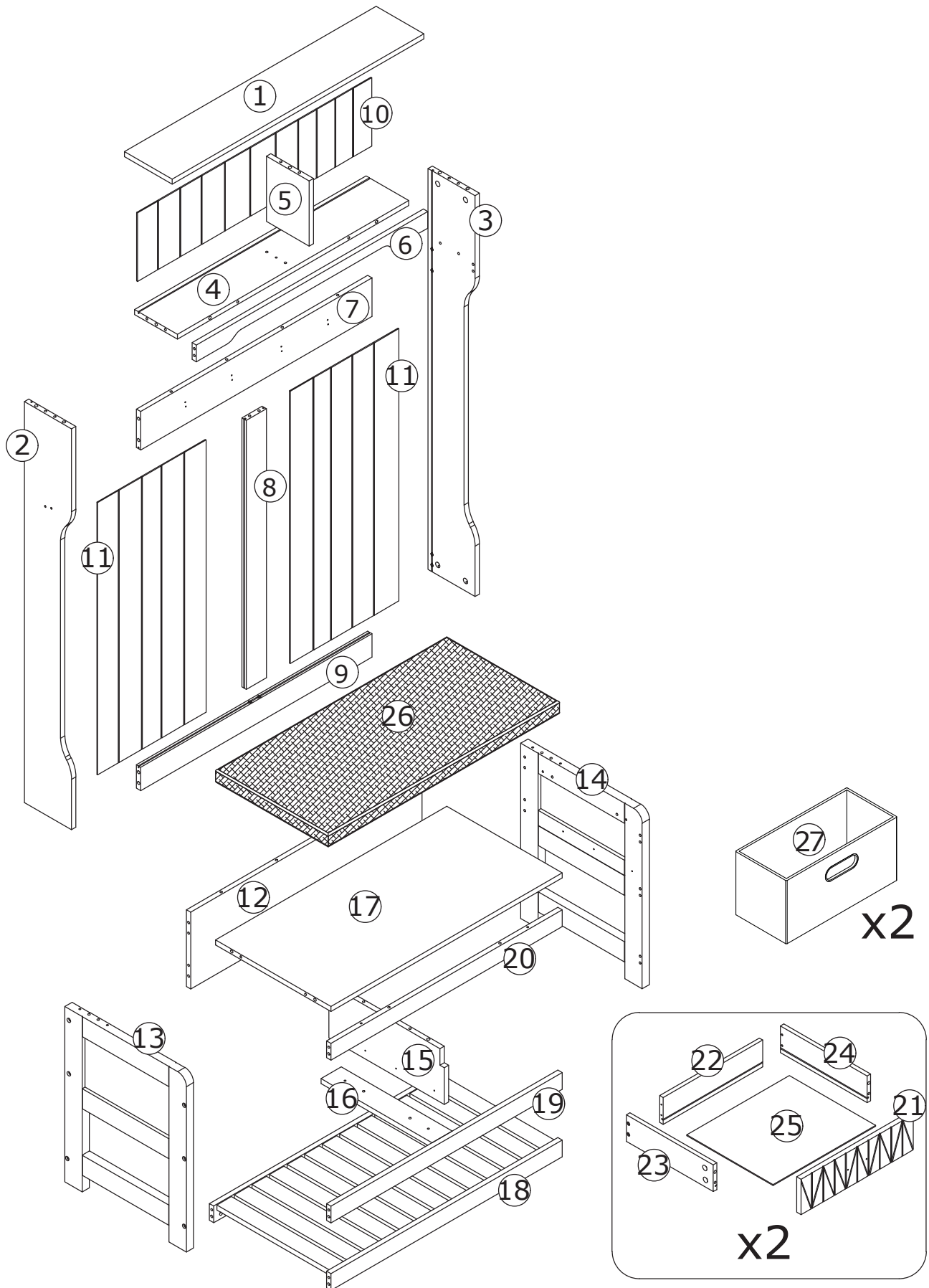
You should feel a click when the camlock is locked in place.

The joint is now secure.

4



Assembly Instructions



1

Ix6



Ø3.5x12mm

CLx1

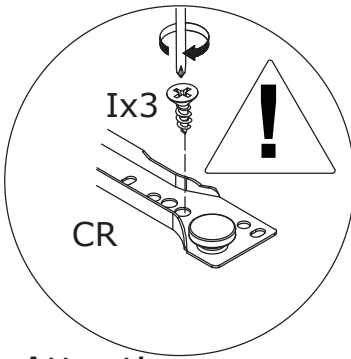
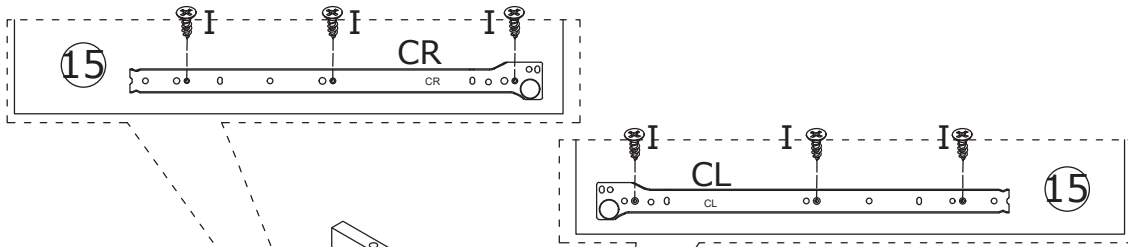
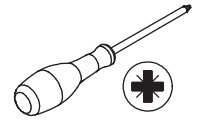


L300mm

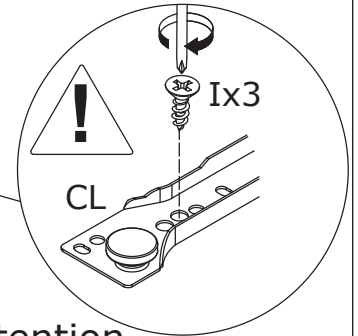
CRx1



L300mm



Attention,
First hole



Attention,
second hole

2

Cx2

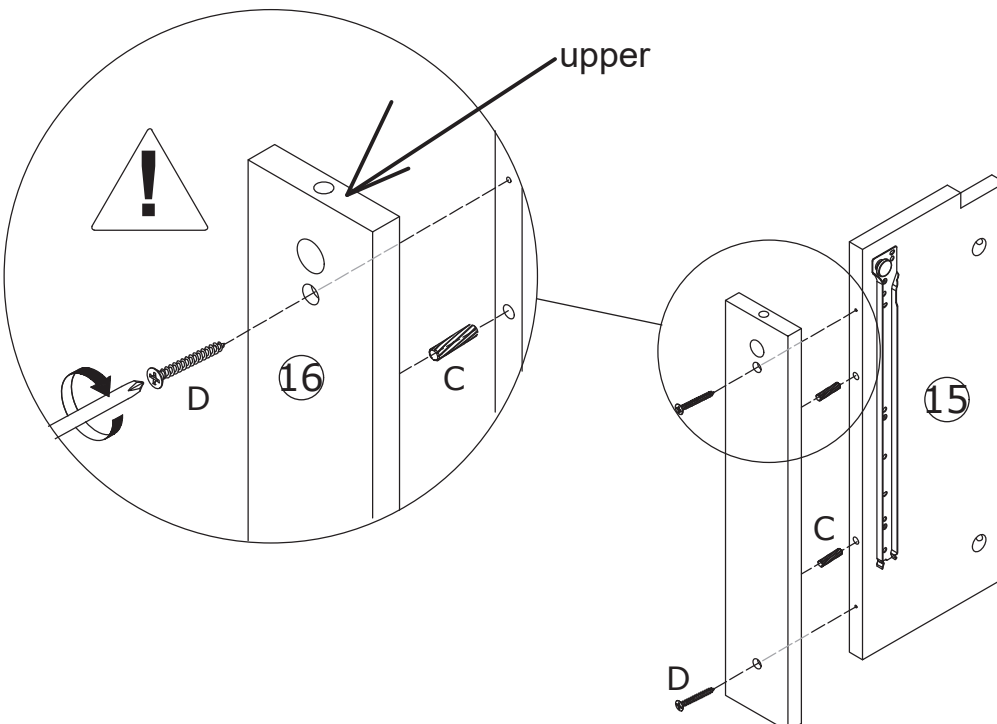
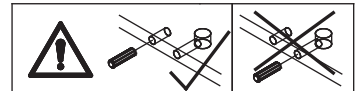
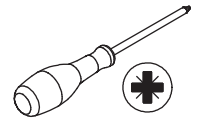


Ø6x30mm

Dx2

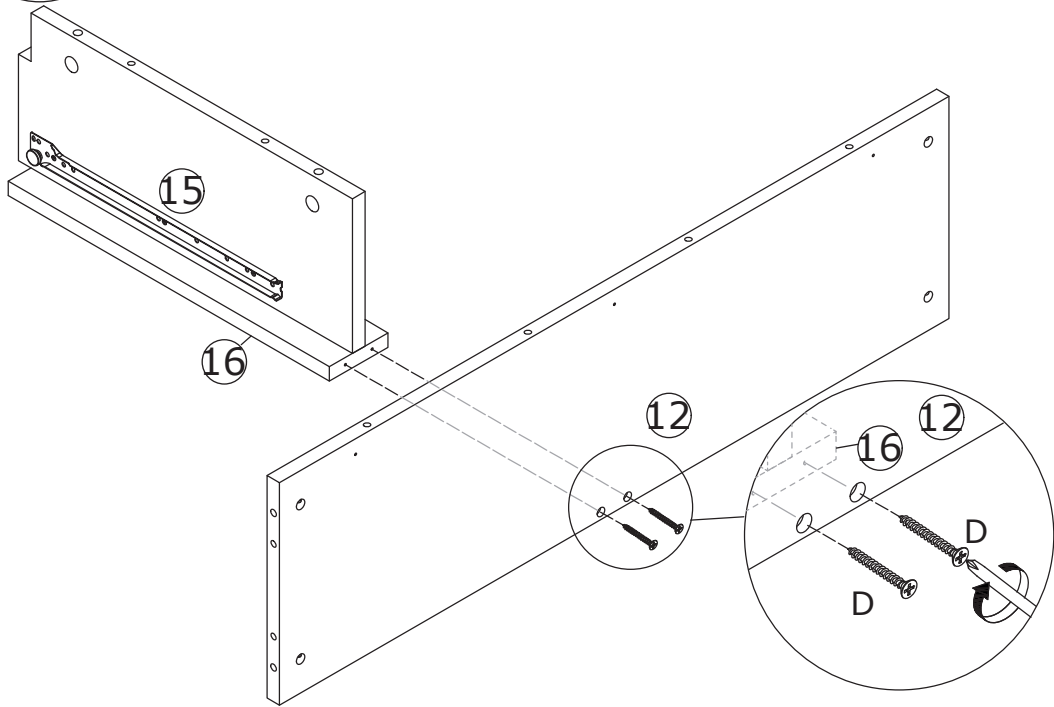
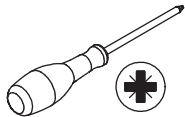


Ø4x40mm



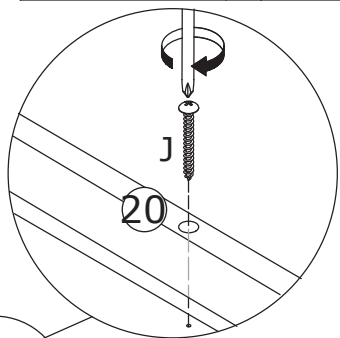
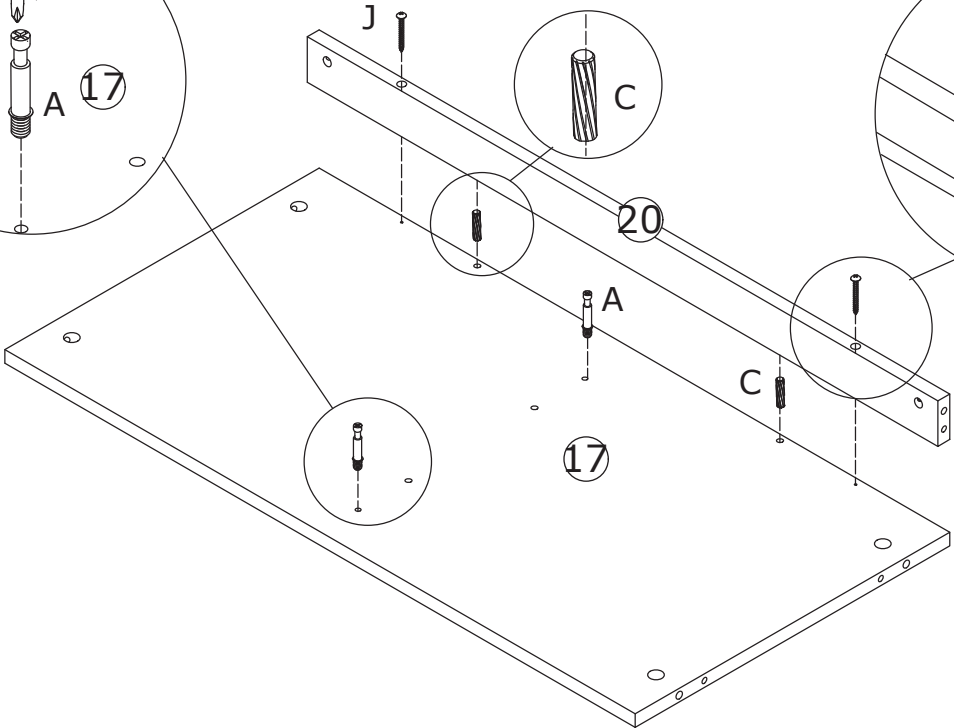
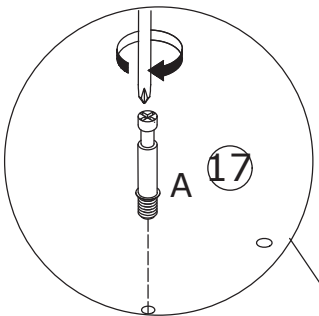
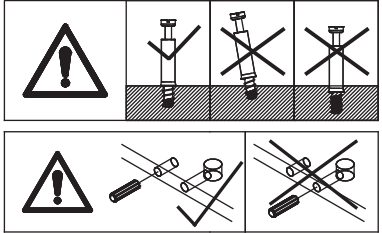
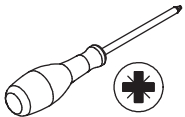
3

Dx2
Ø4x40mm




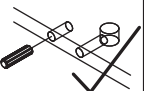
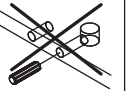

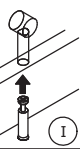
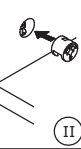

4

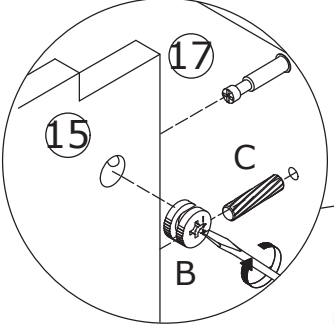
Ax2 Ø6x35mm Cx2 Ø6x30mm Jx2 Ø4x35mm



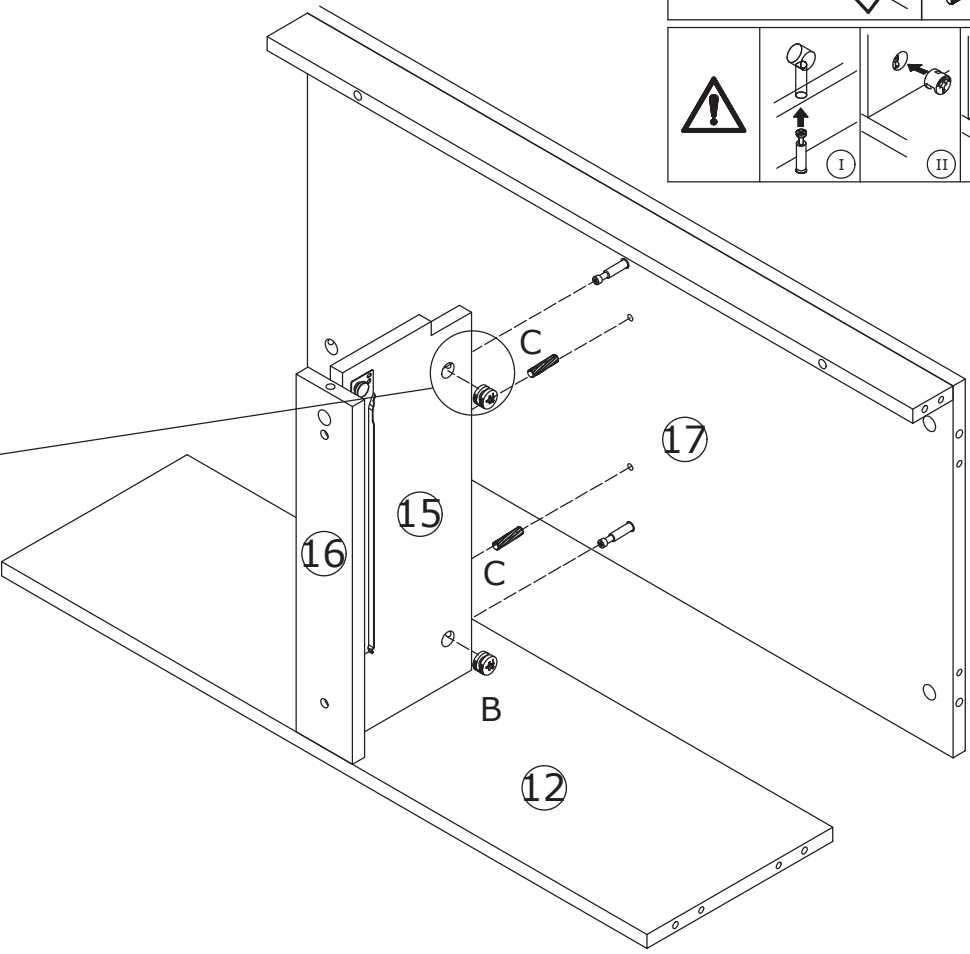
5

Bx2  Ø15x10mm	Cx2  Ø6x30mm	
--	---	---


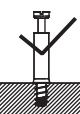




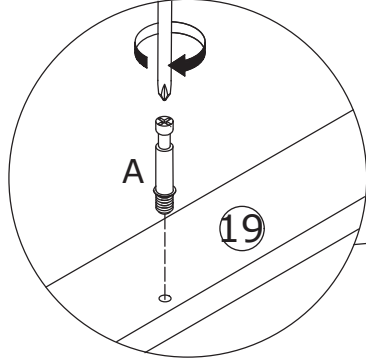
15 17 C B



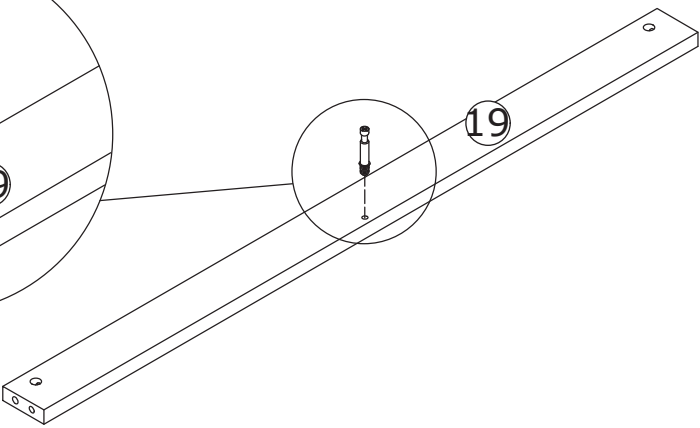
6

Ax1  Ø6x35mm	
---	---

			
---	---	---	---



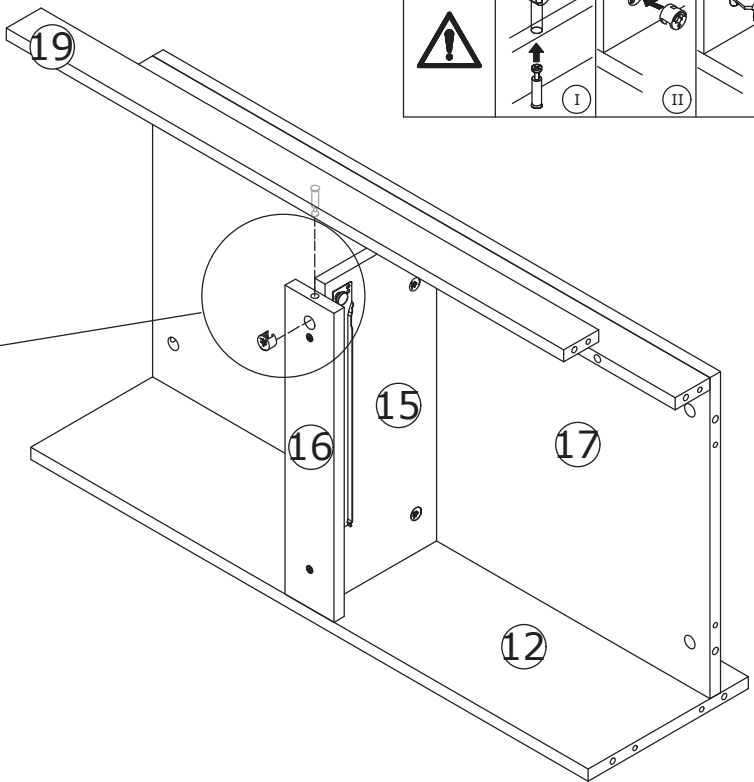
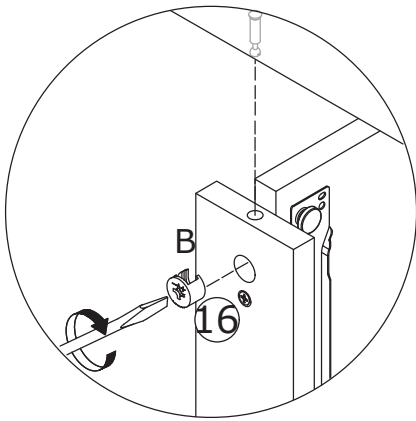

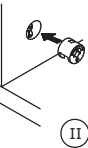
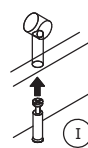

A 19



7

Bx1

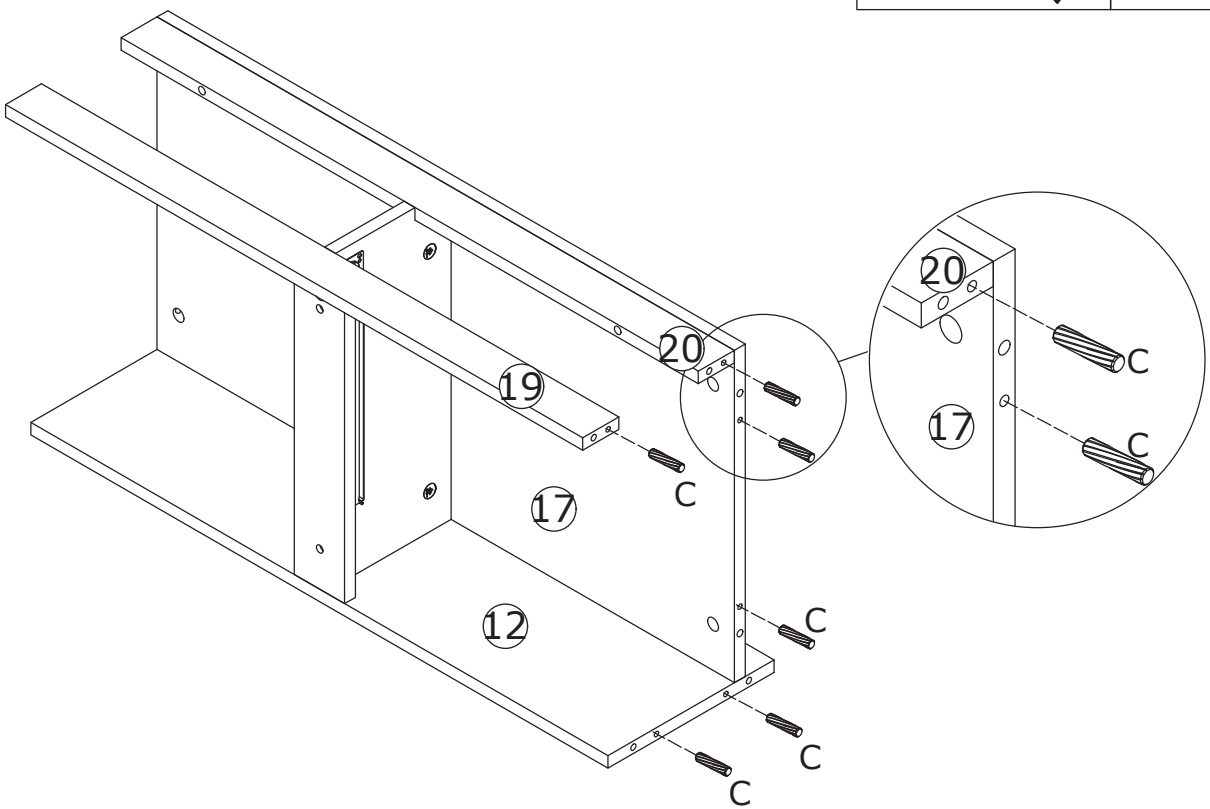
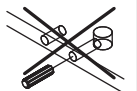
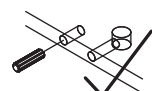

Ø15x10mm



8




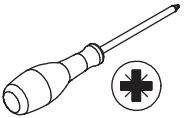
Cx6

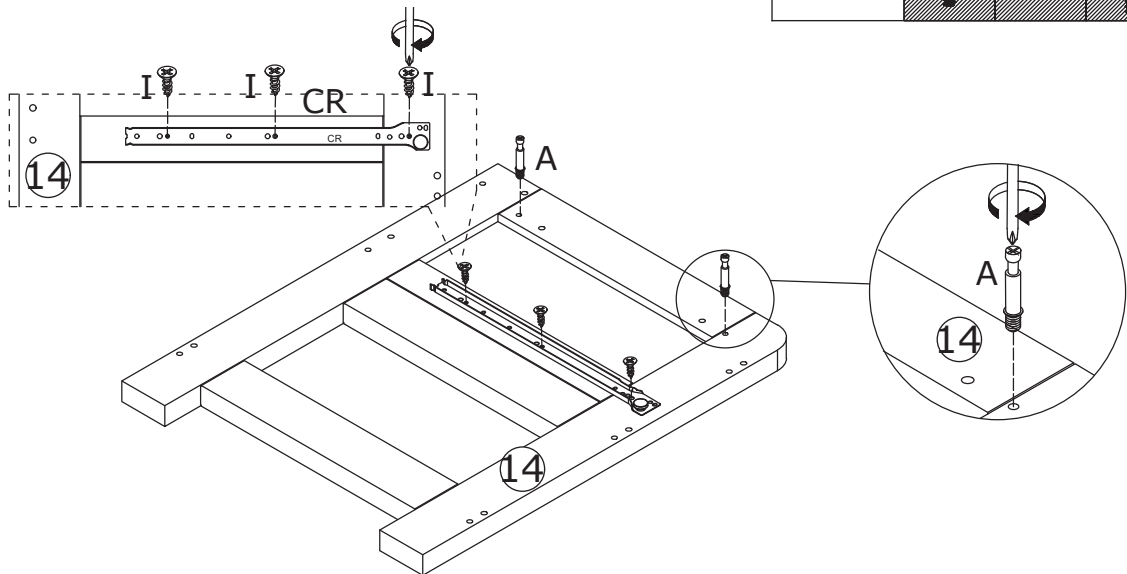
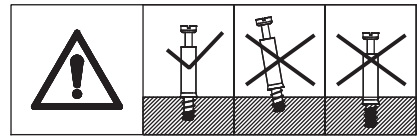
Ø6x30mm





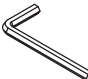

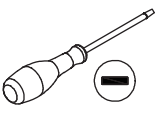
9

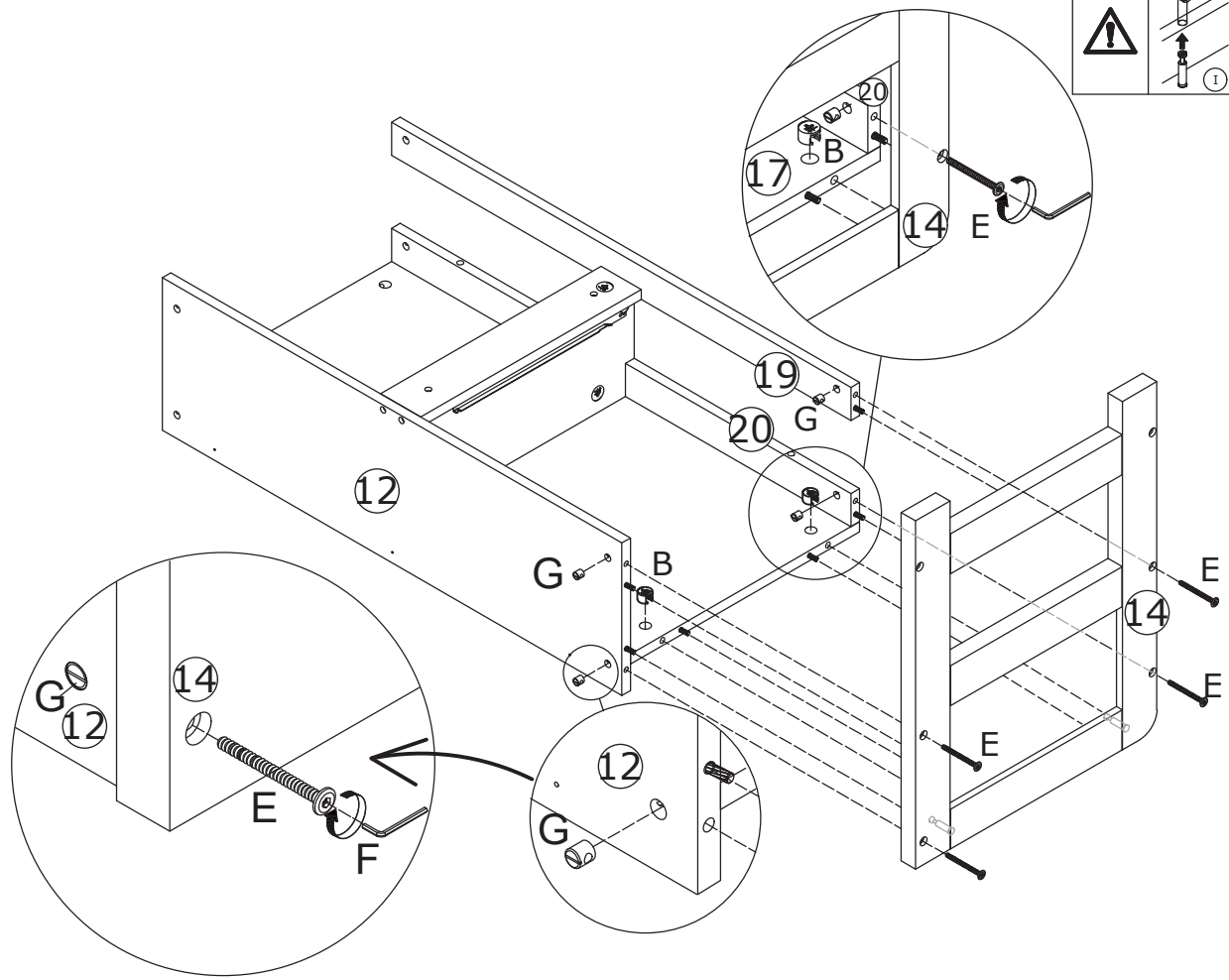
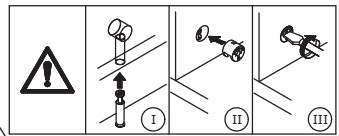
9

<p>Ax2  Ø6x35mm</p>	<p>Ix3  Ø3.5x12mm</p>	<p>CRx1  L300mm</p>	
--	--	--	---



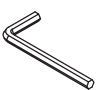

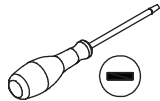


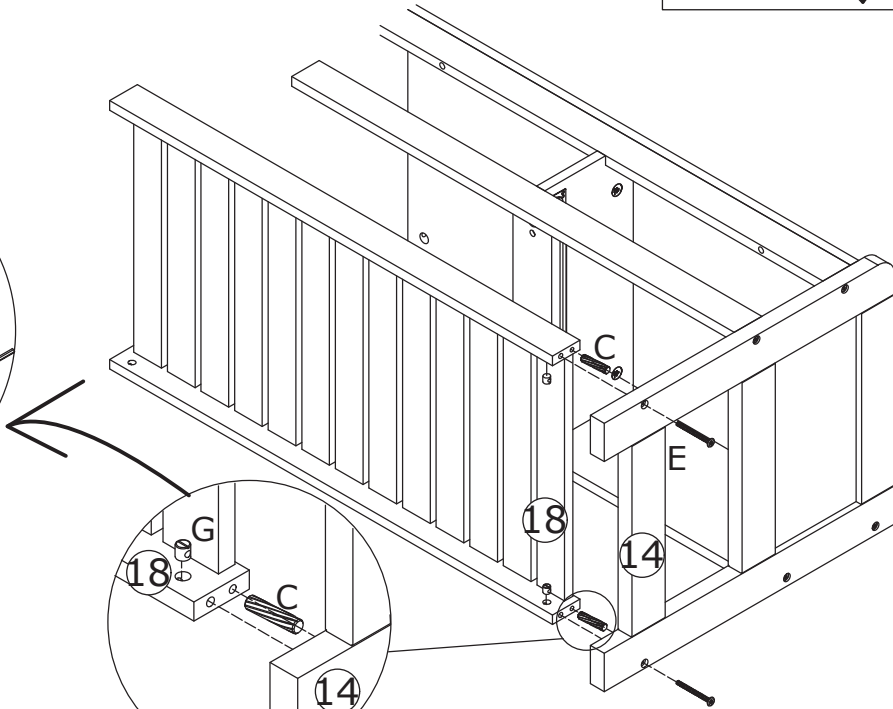
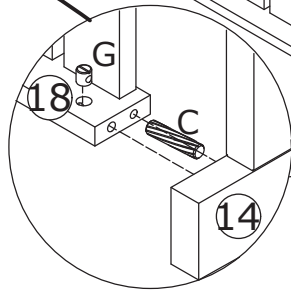
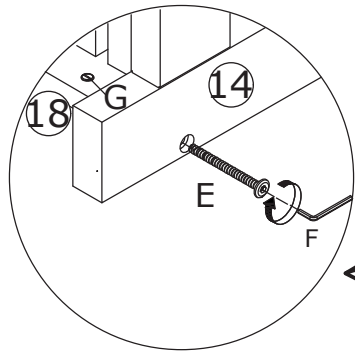
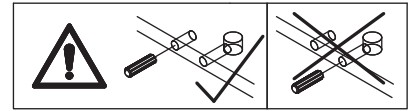
10

<p>Bx2  Ø15x10mm</p>	<p>Ex4  Ø6x60mm</p>	<p>Fx1  M4mm</p>	<p>Gx4  Ø10x10mm</p>	
---	---	---	--	--



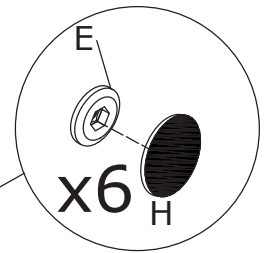
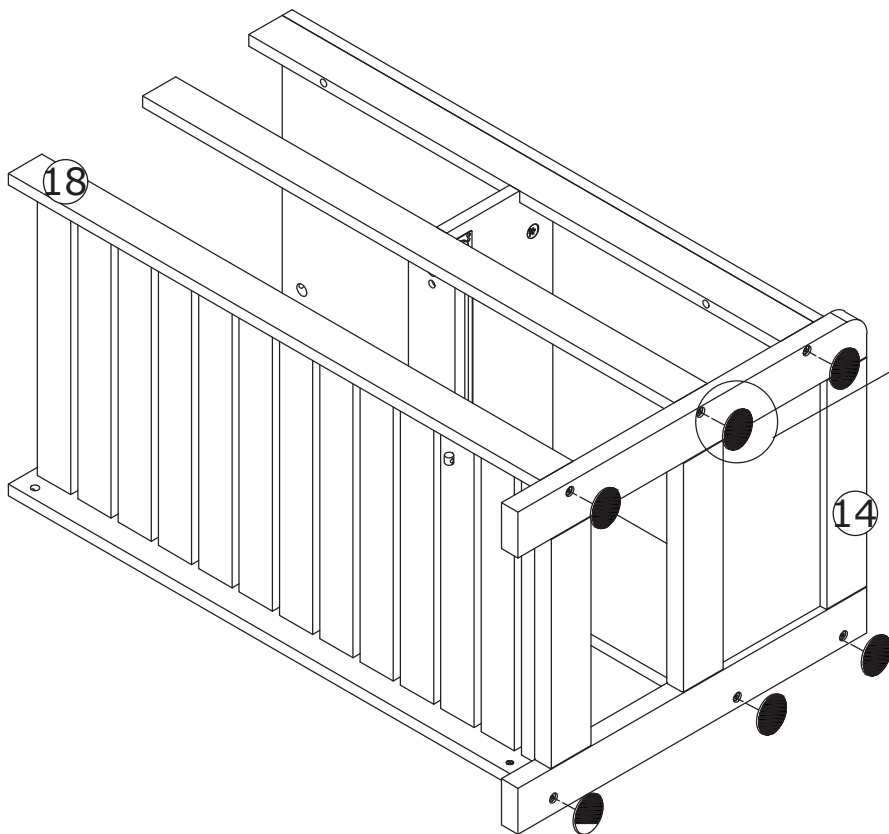
11

<p>Cx2  Ø6x30mm</p>	<p>Ex2  Ø6x60mm</p>	<p>Fx1  M4mm</p>	<p>Gx2  Ø10x10mm</p>	
--	--	---	--	---



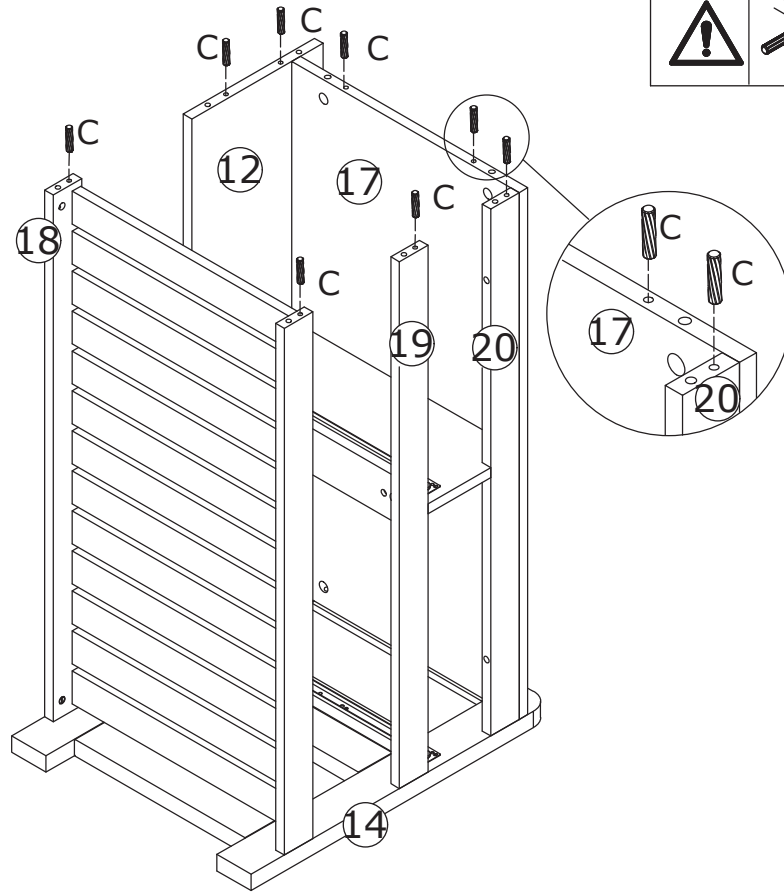
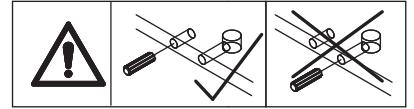
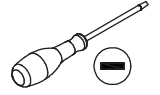
12

<p>Hx6  Ø20mm</p>	
--	--



13

Cx8
Ø6x30mm

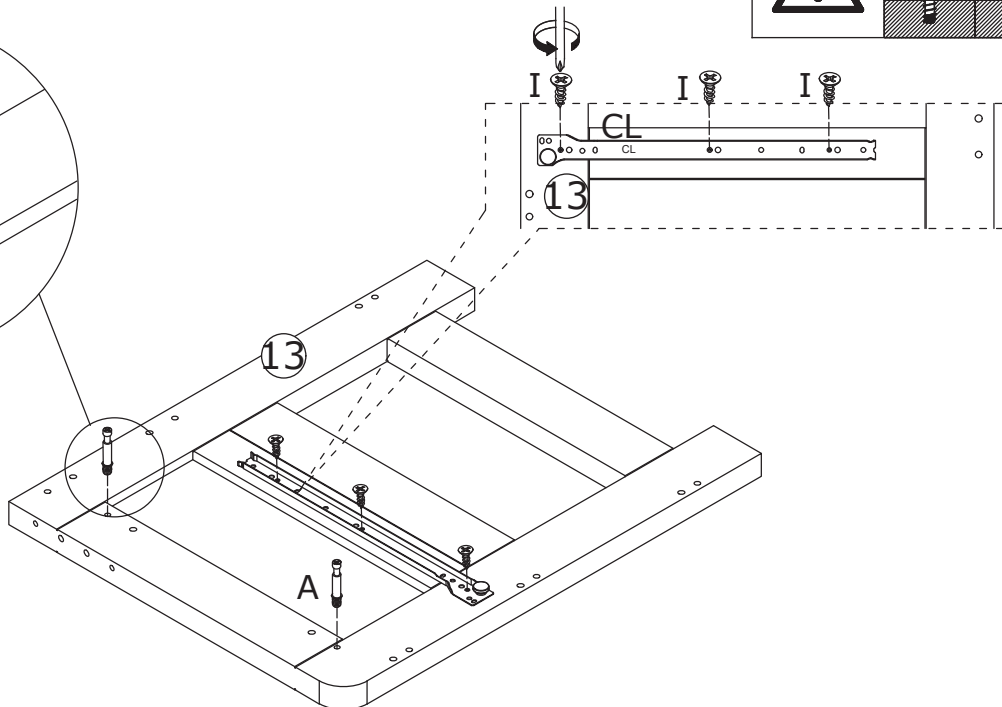
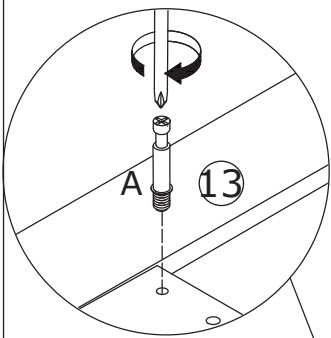
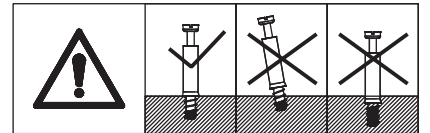
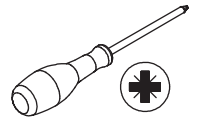


14

Ax2
Ø6x35mm





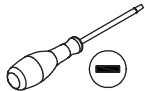
Ix3
Ø3.5x12mm

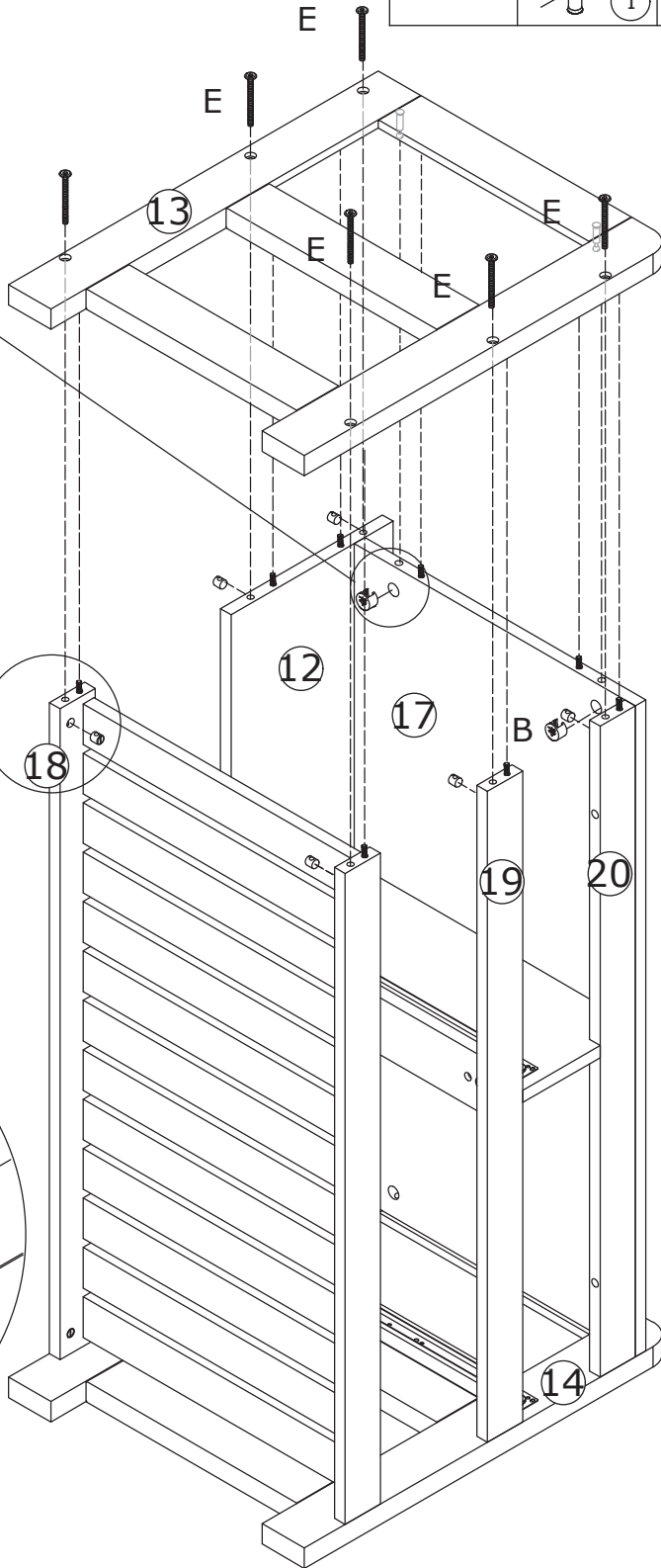
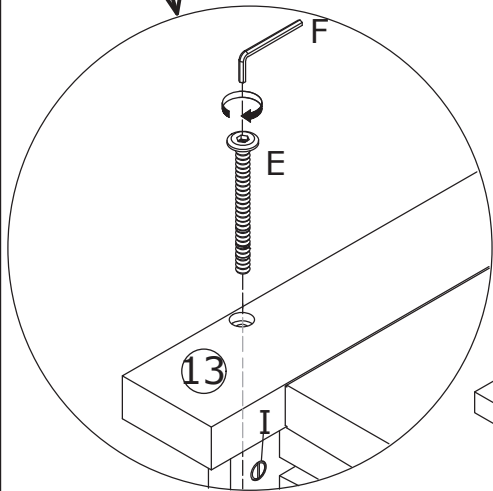
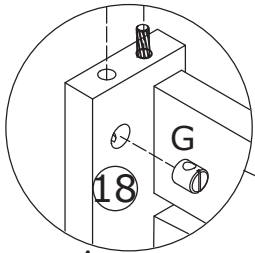
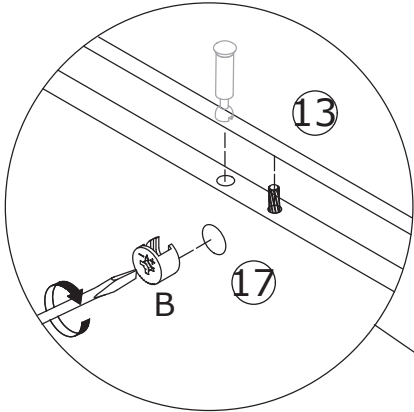
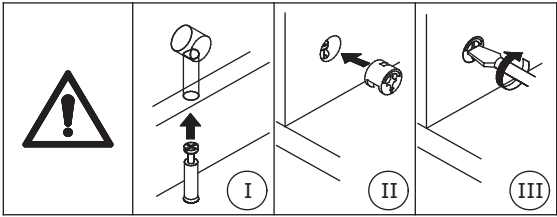
CLx1
L300mm



12

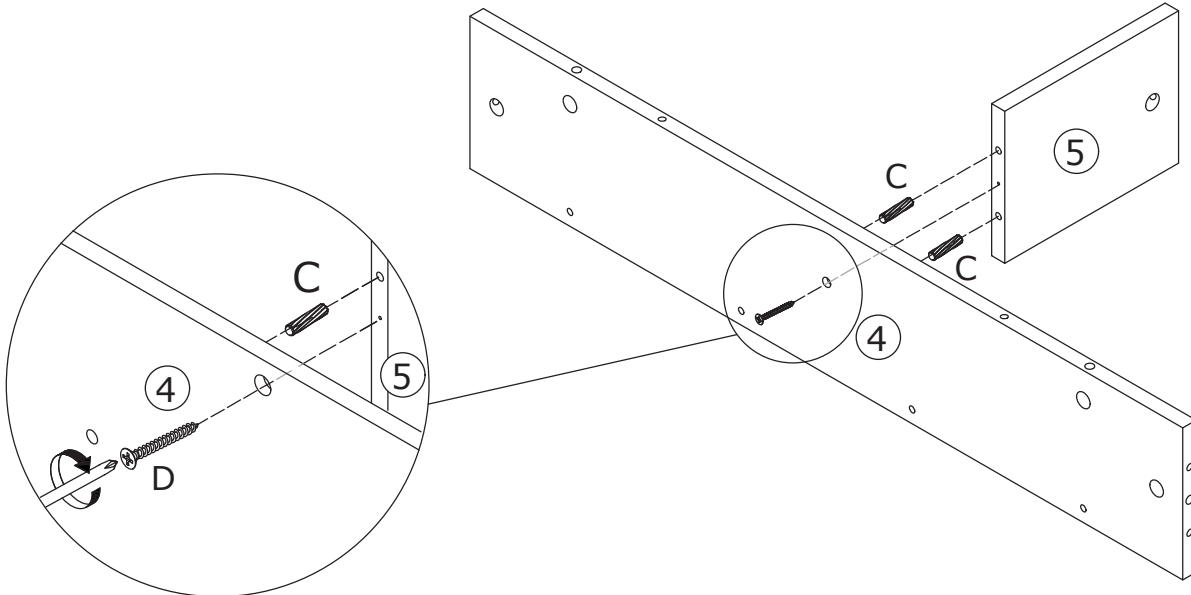
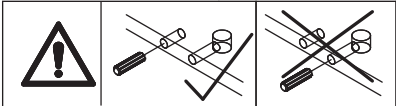
15

Bx2  Ø15x10mm	Ex6  Ø6x60mm	Fx1  M4mm	Gx6  Ø10x10mm	
--	---	--	--	---



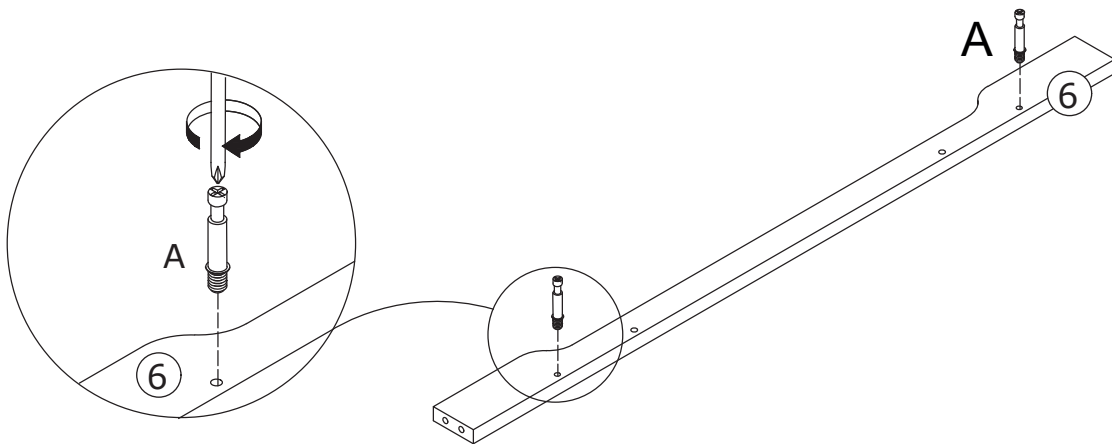
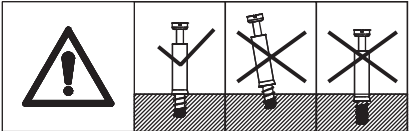
18

<p>Cx2  Ø6x30mm</p>	<p>Dx1  Ø4x40mm</p>	
--	--	---






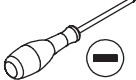


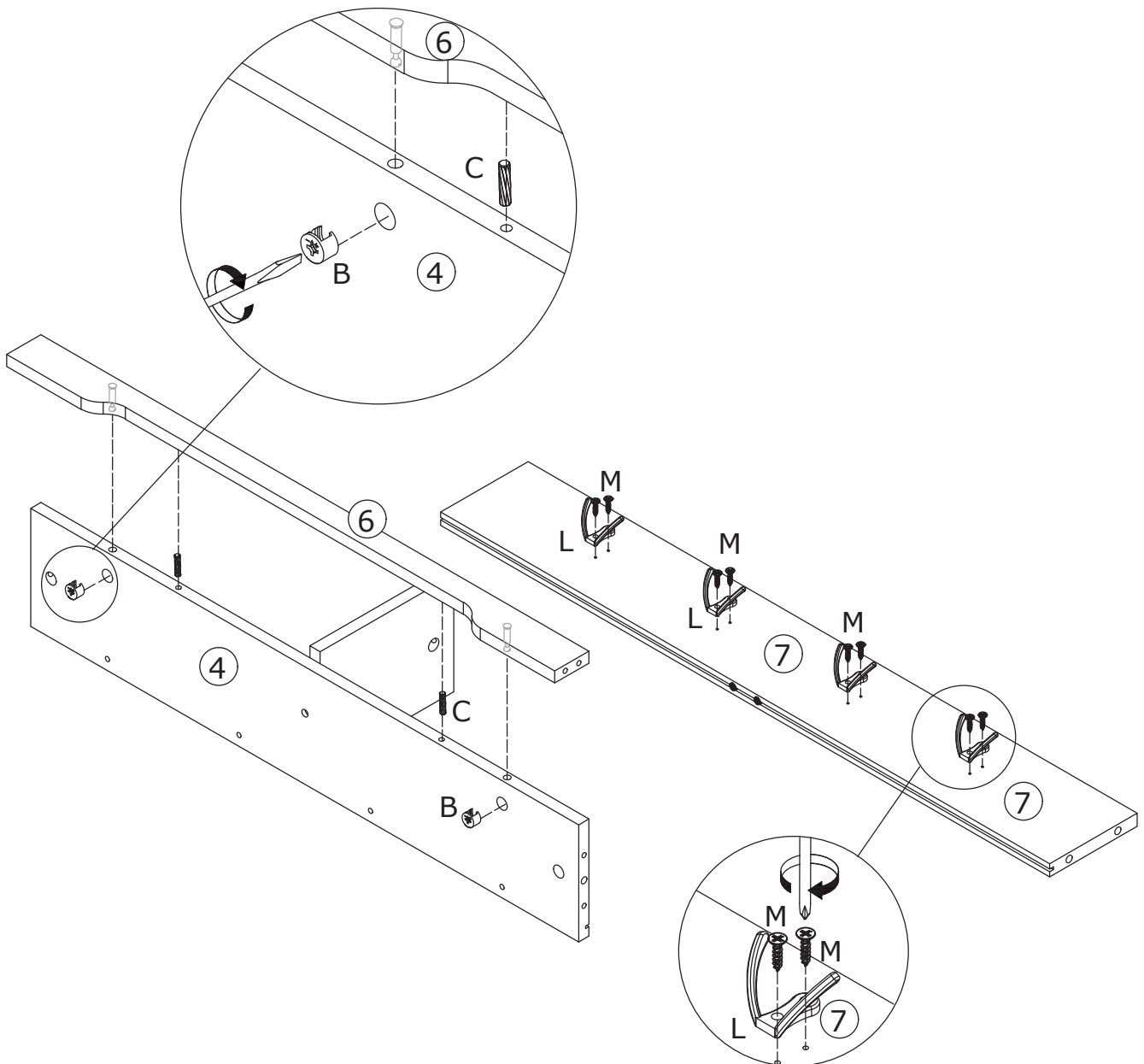
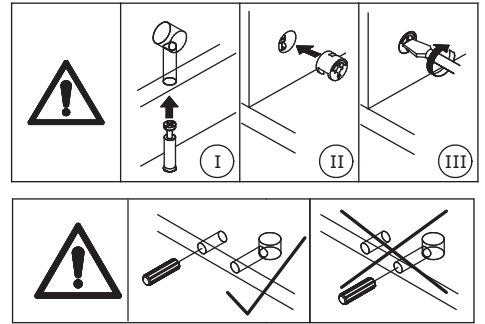
19

<p>Ax2  Ø6x35mm</p>	
--	---



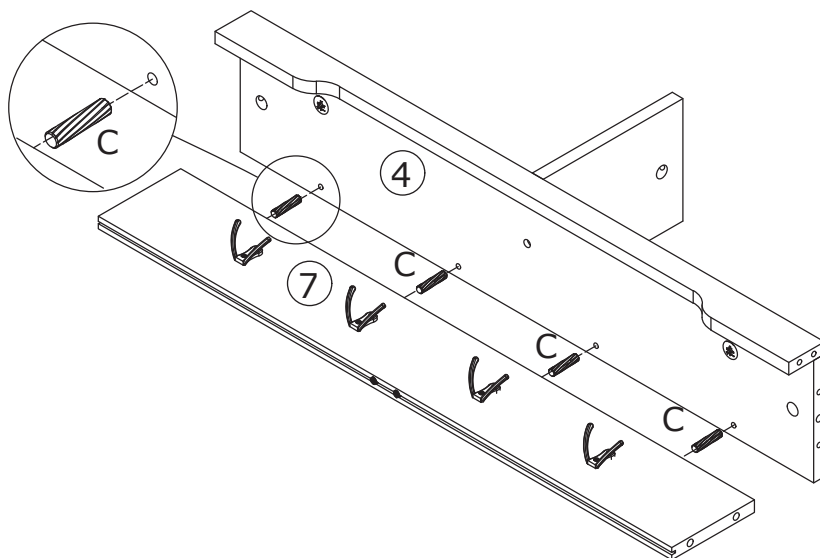
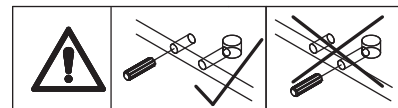
20

Bx2  Ø15x10mm	Cx2  Ø6x30mm	Lx4 	Mx8 	 
--	---	--	---	---



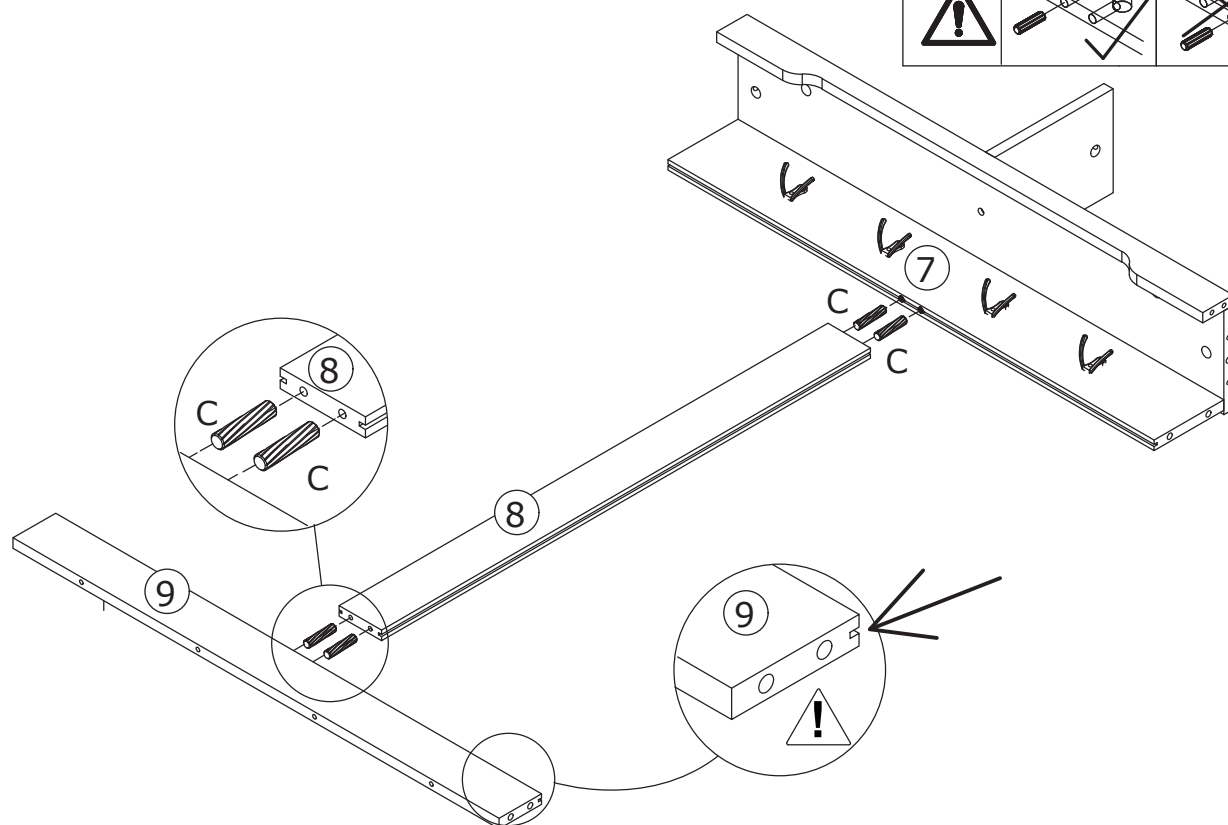
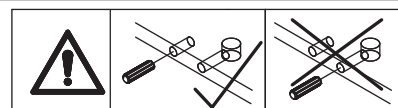
21

Cx4
Ø6x30mm



22

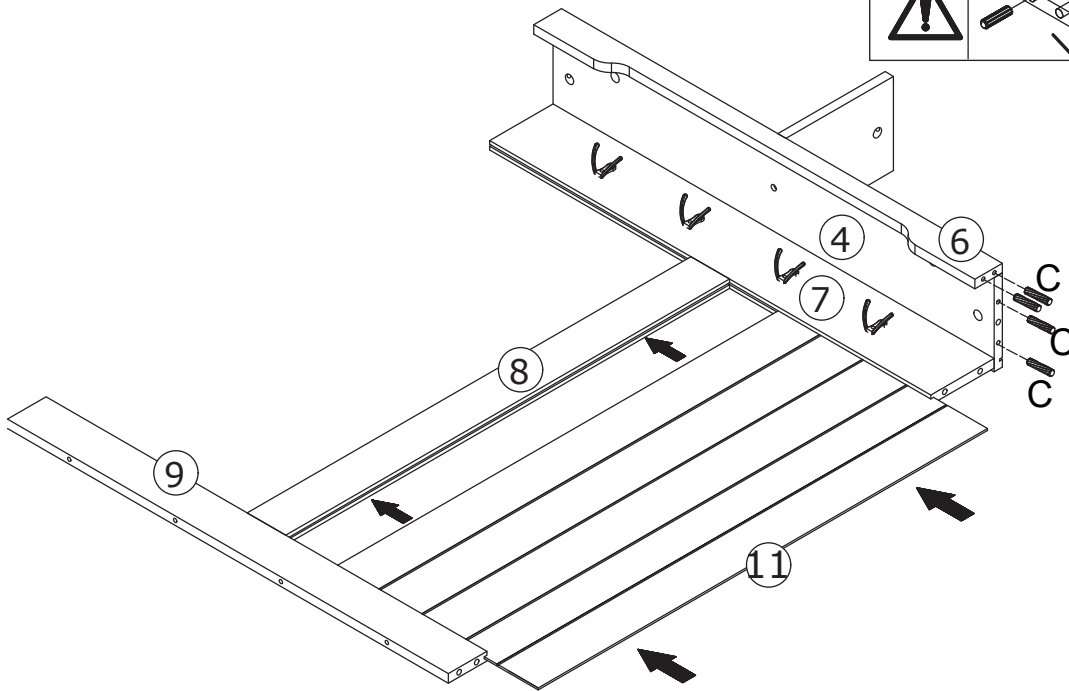
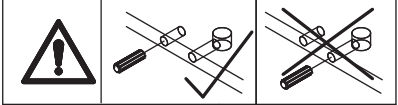
Cx4
Ø6x30mm



23

Cx4

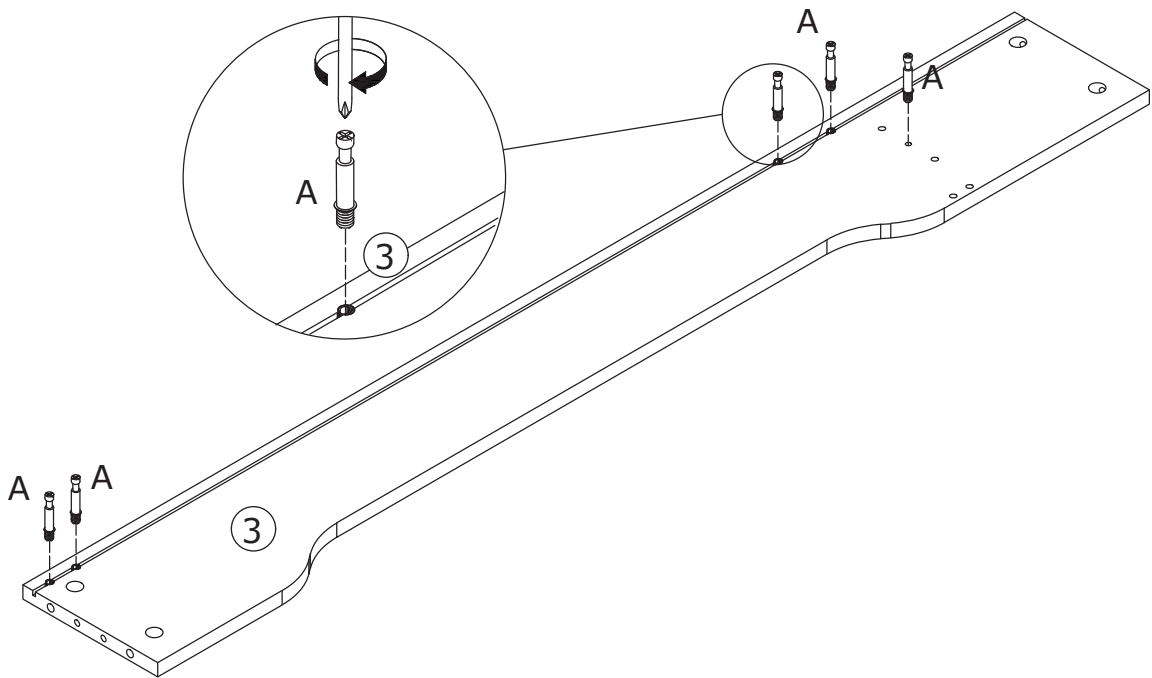
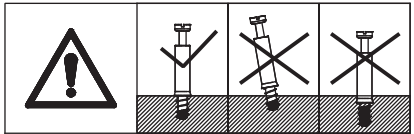
Ø6x30mm



24

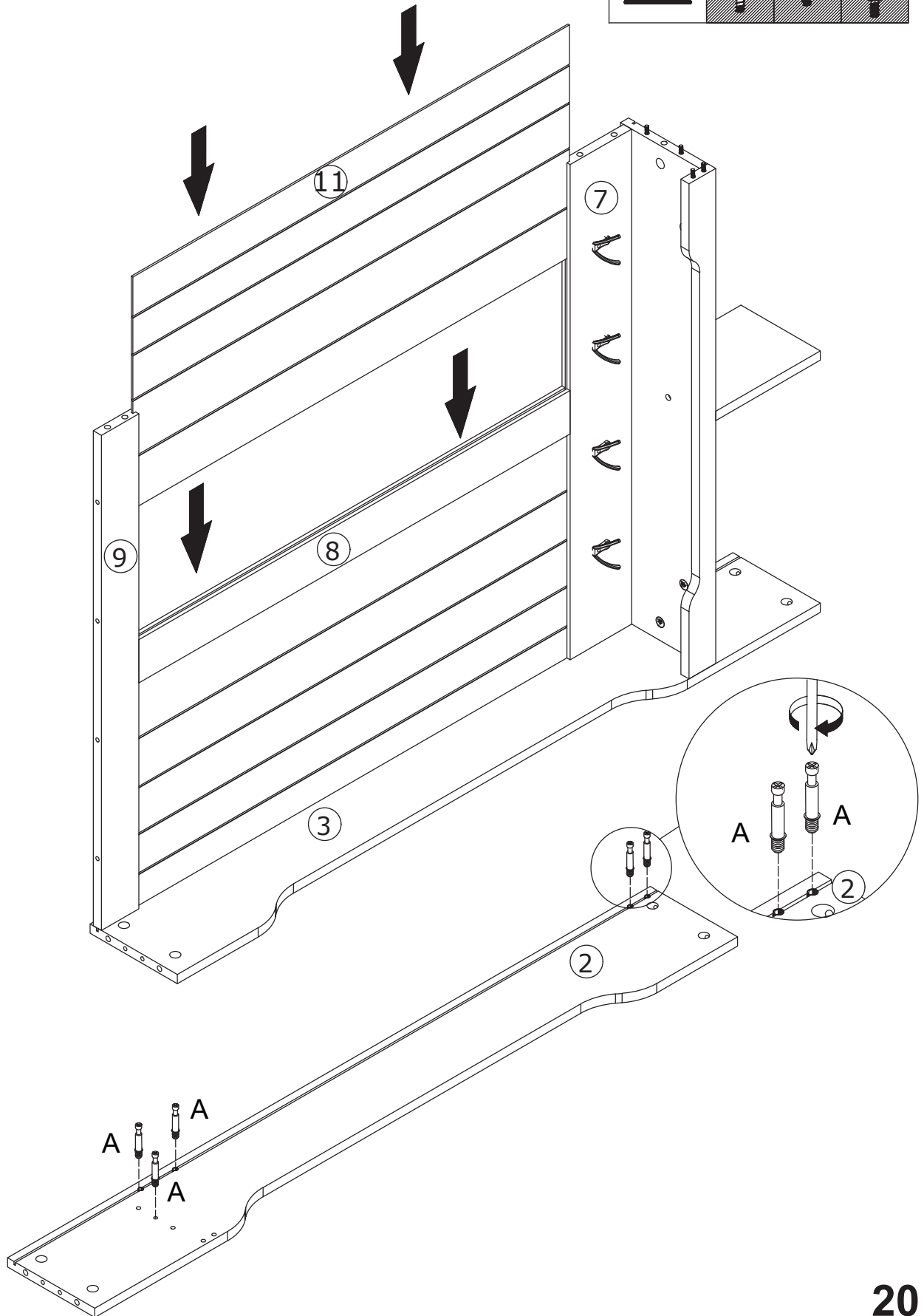
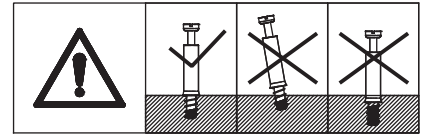
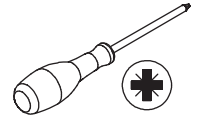
Ax5

Ø6x35mm



26

Ax5
Ø6x35mm

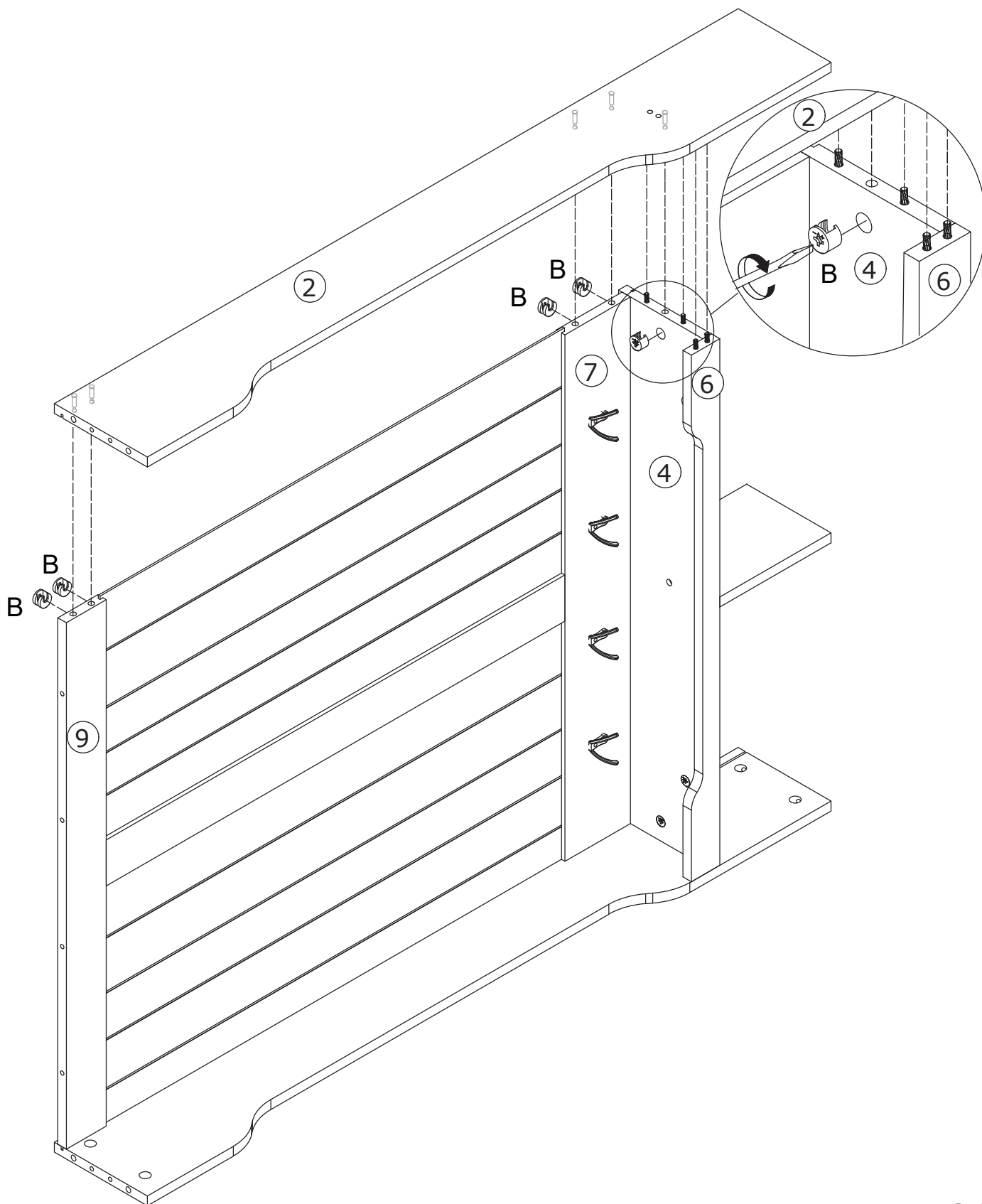
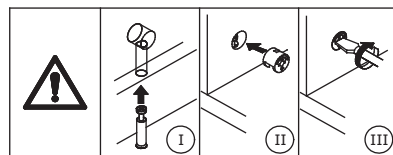


27


Bx5

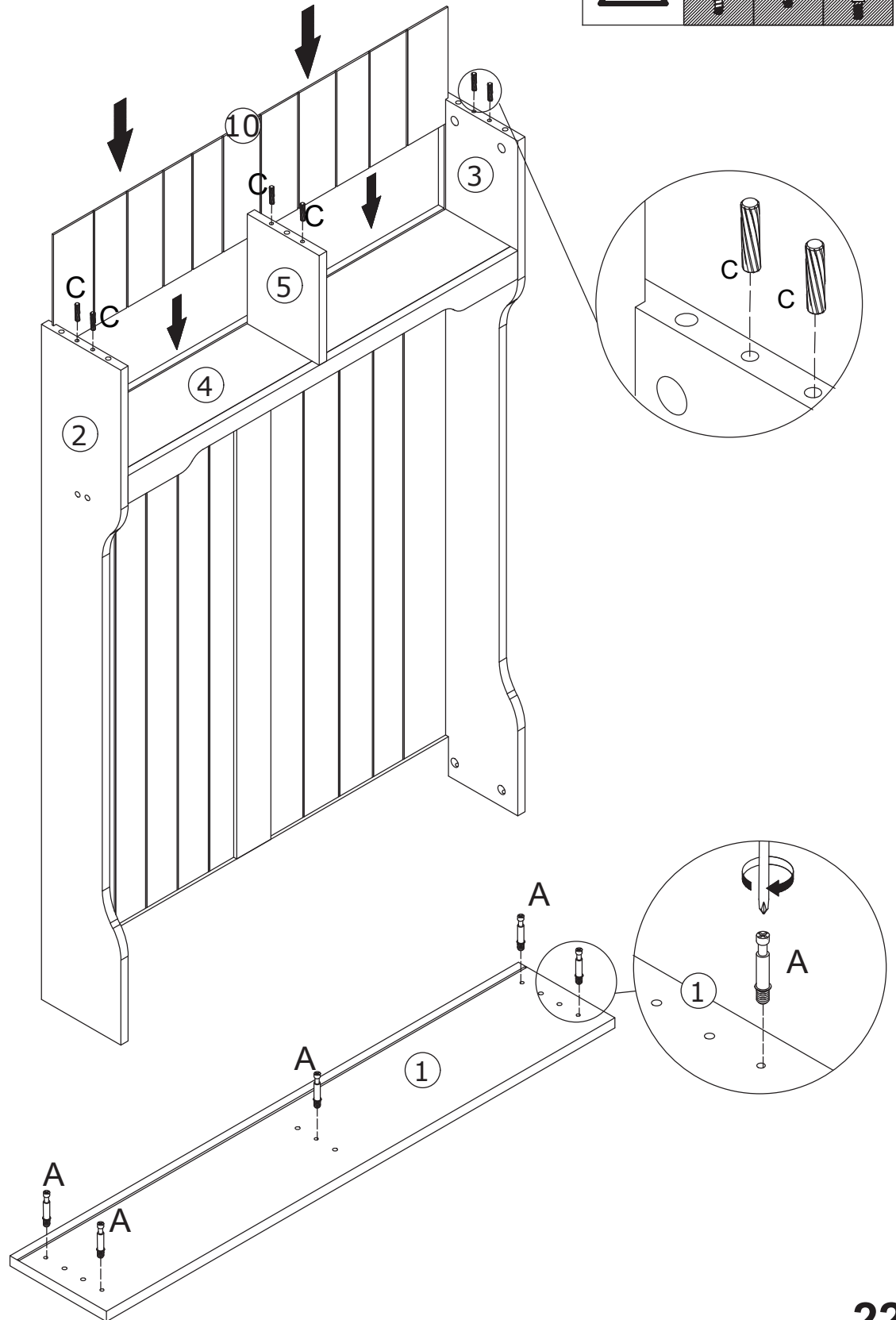
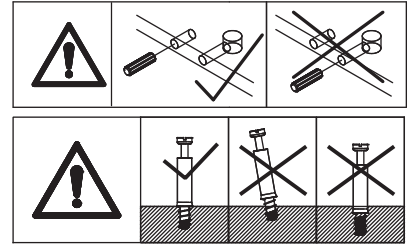


Ø15x10mm





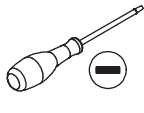


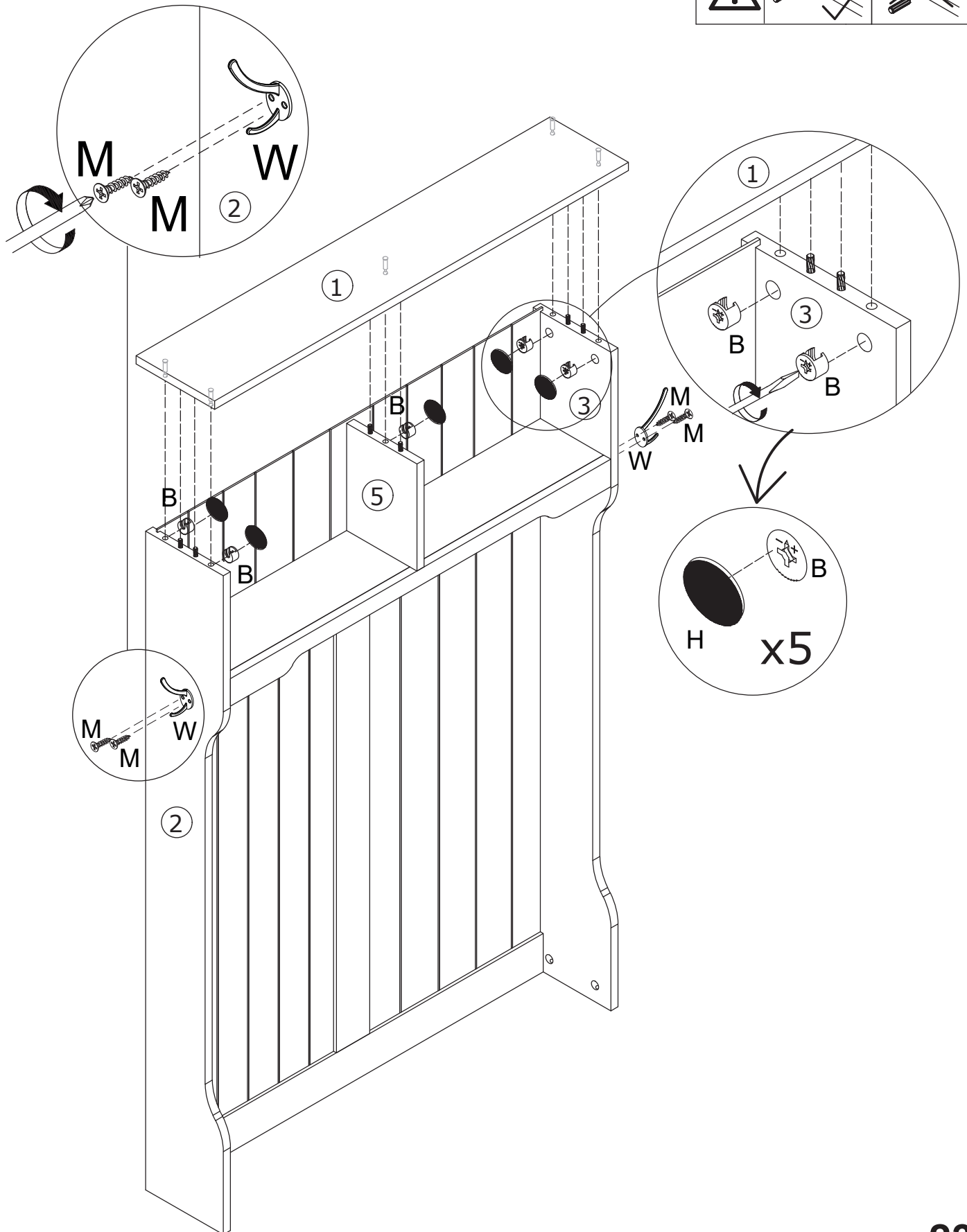
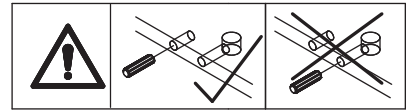
28

<p>Ax5 Ø6x35mm</p> 	<p>Cx6 Ø6x30mm</p> 	
--	--	---


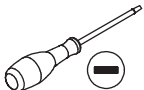


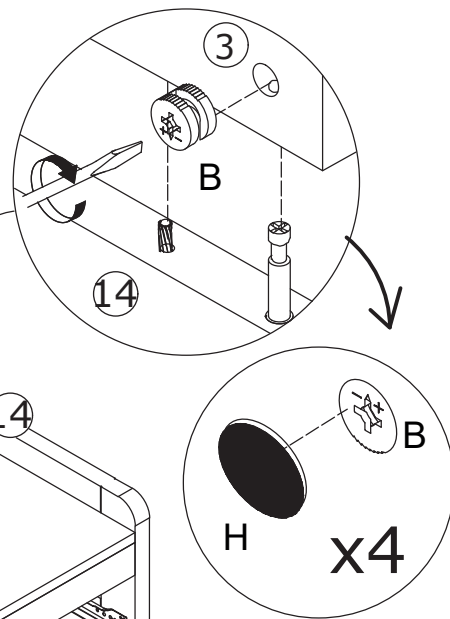
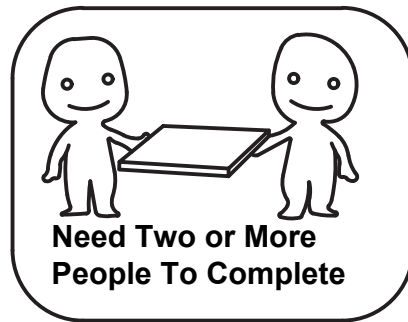
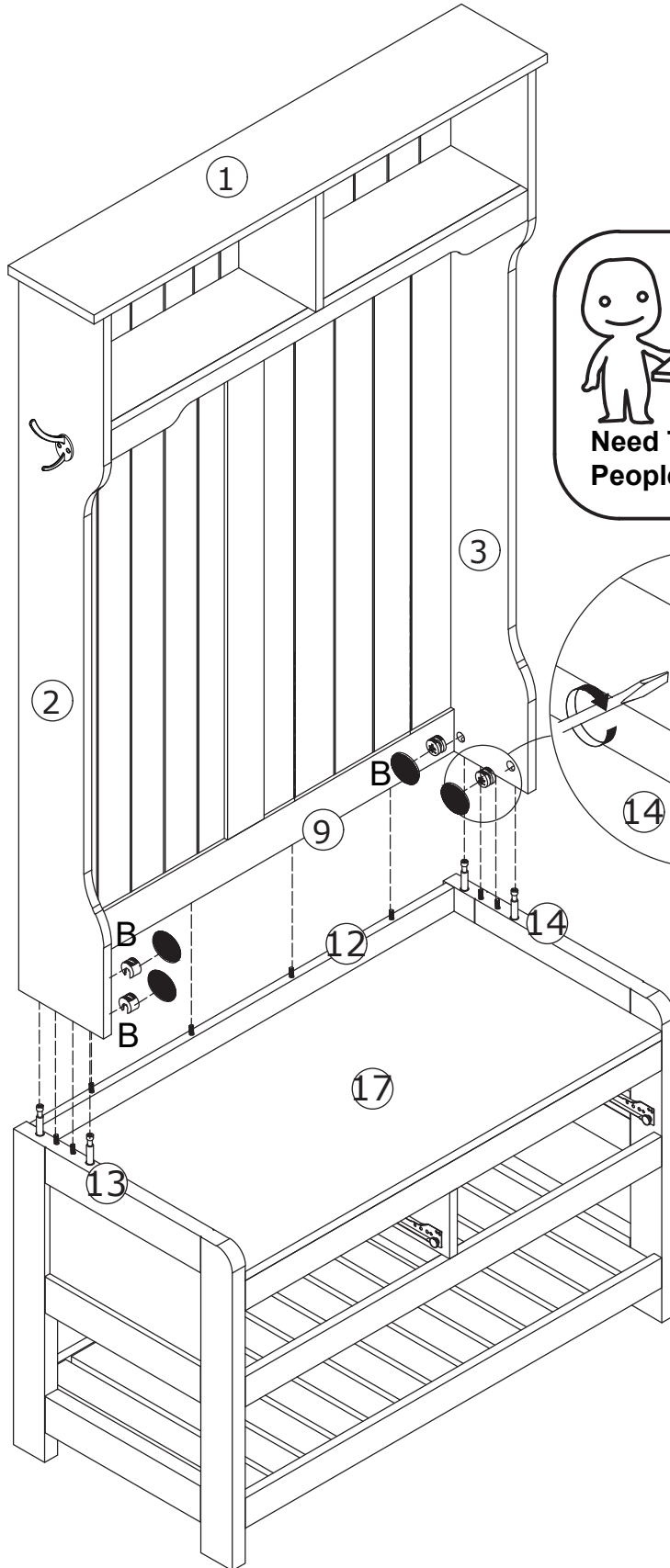
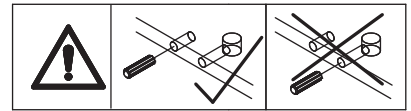
29

Bx5  Ø15x10mm	Hx5  Ø20mm	Mx4 	Wx2 	
--	---	--	--	---

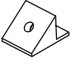

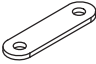



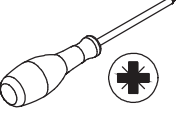


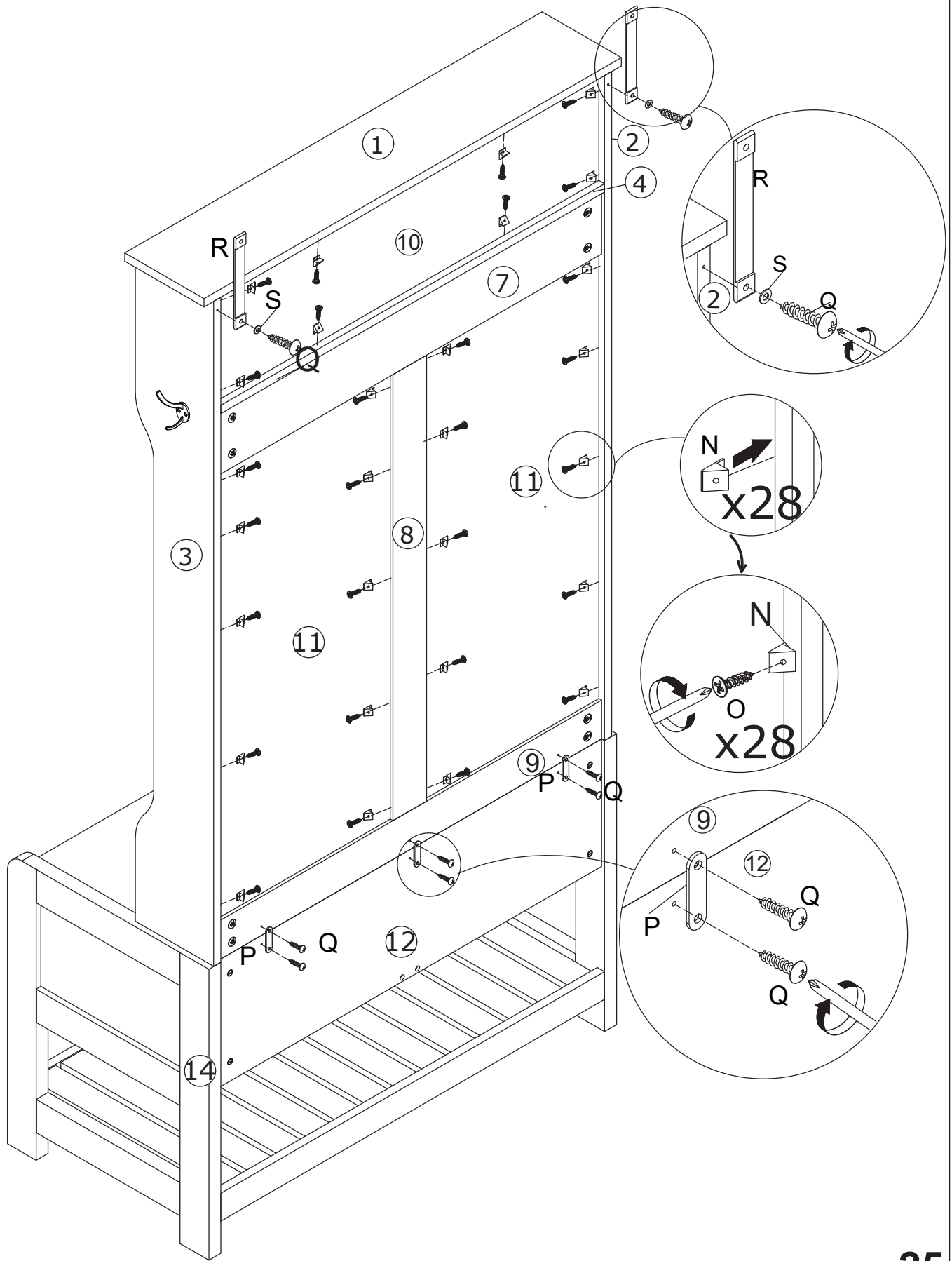
30

Bx4  Ø15x10mm	Hx4  Ø20mm	
--	---	---


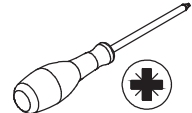


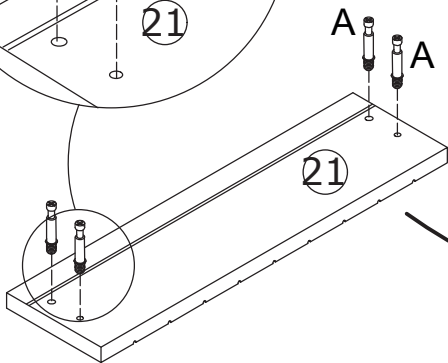
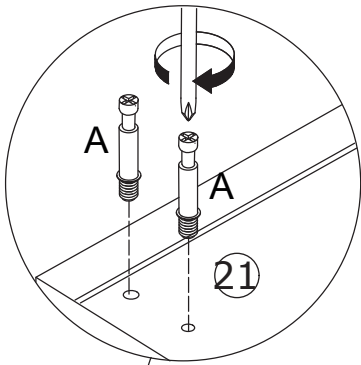
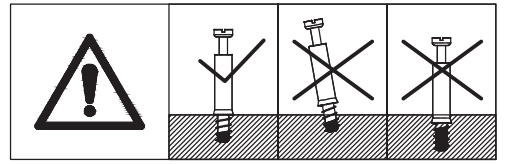
31

Nx28 	Ox28 Ø3x16mm 	Px3 	Qx8 Ø4x14mm 	Rx2 	Sx2 	
---	--	--	---	--	--	---

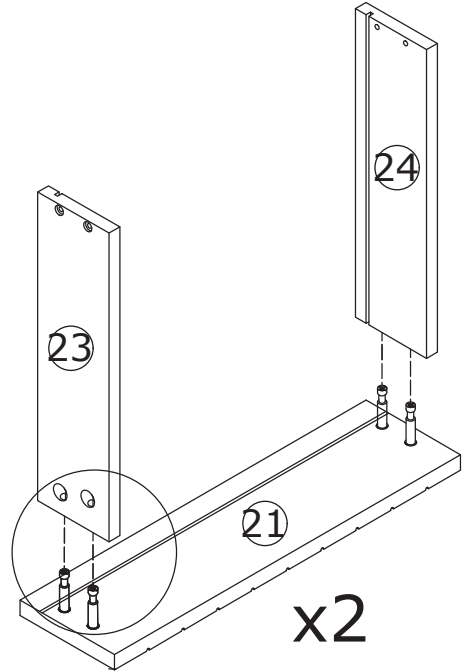


32

<p>Ax8</p>  <p>Ø6x35mm</p>	
---	---

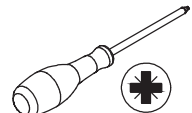


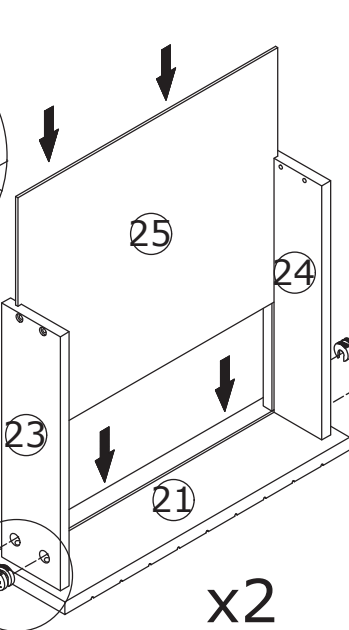
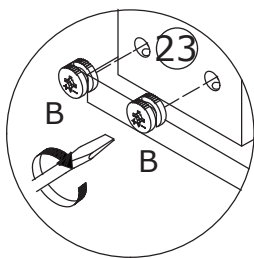
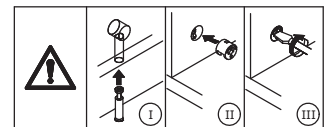
x2



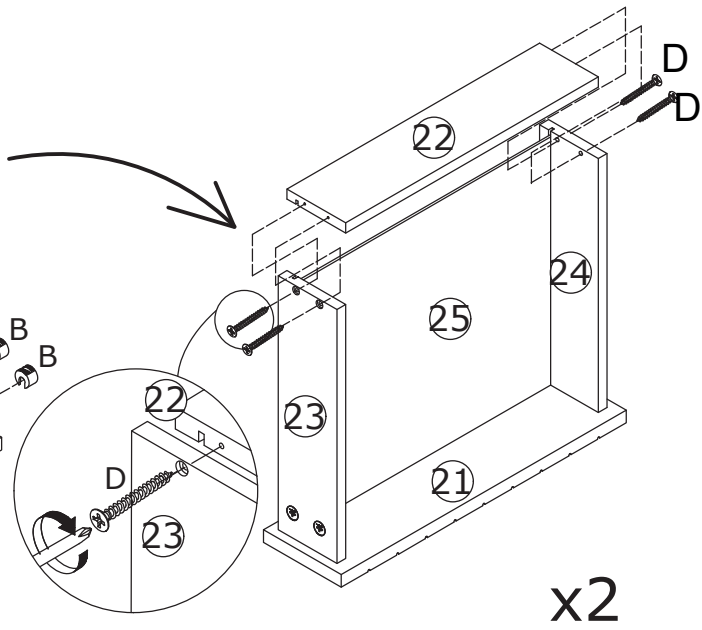
x2

33

<p>Dx8</p>  <p>Ø4x35mm</p>	<p>Bx8</p>  <p>Ø15x10mm</p>	 
---	--	---



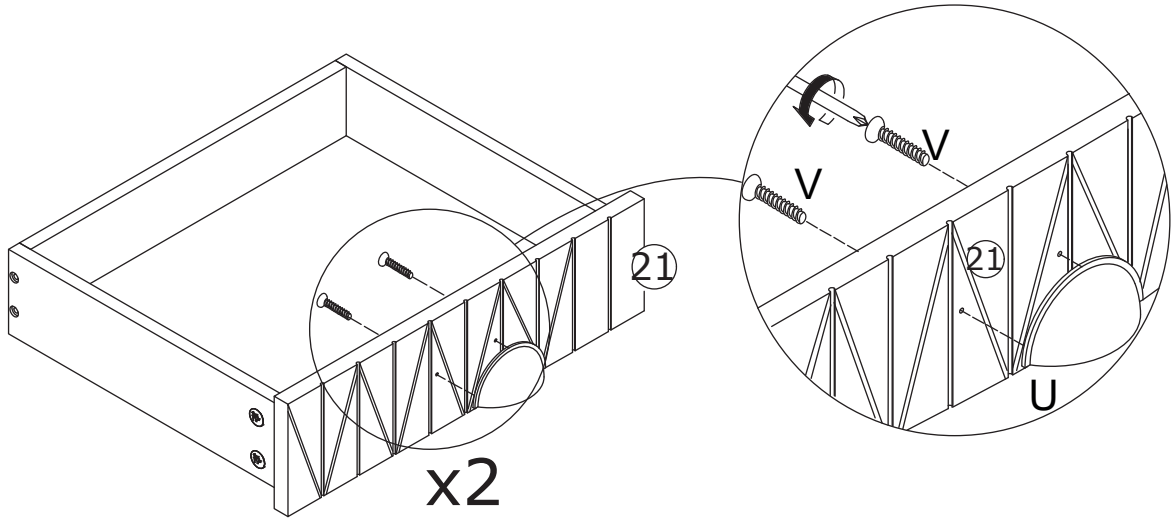
x2






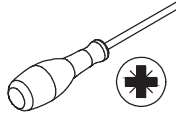
x2

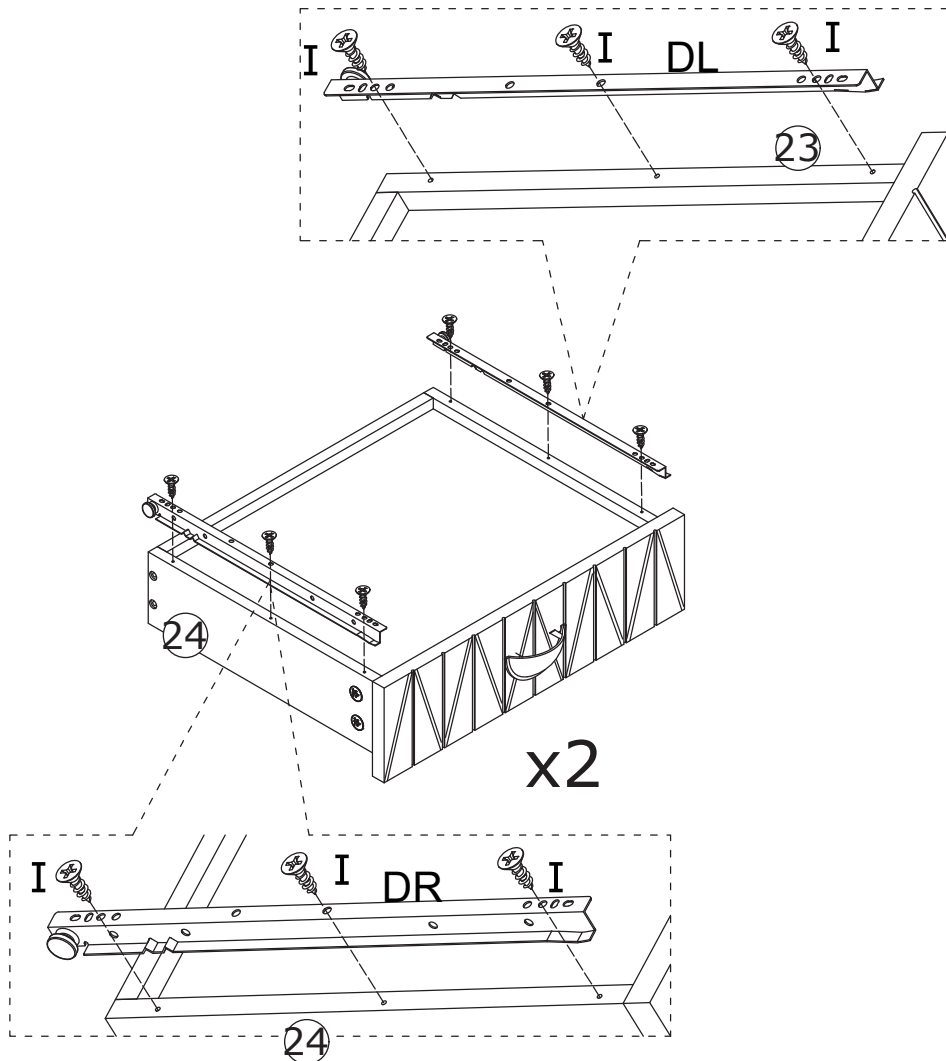
34

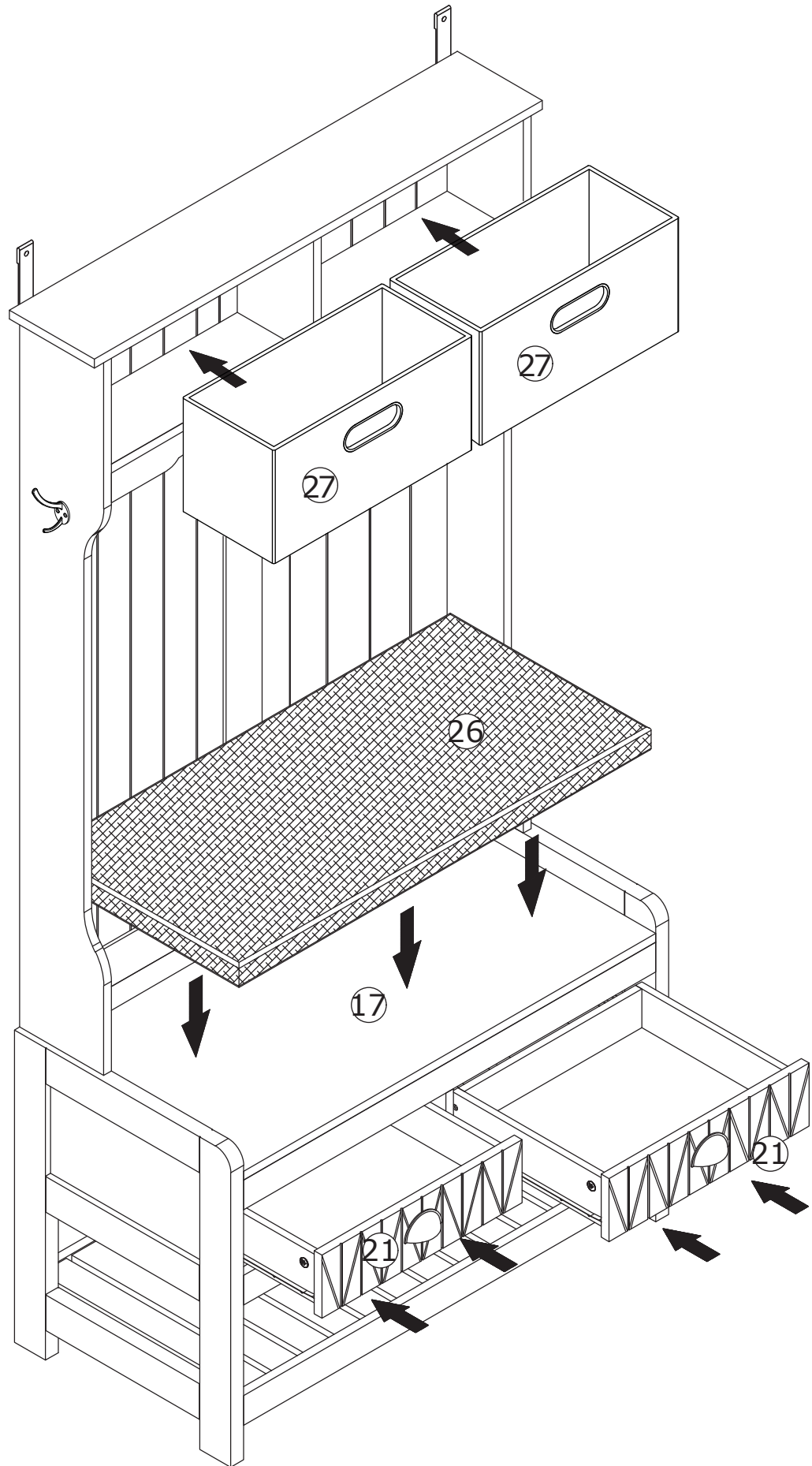
Ux2 	Vx4 		
--	--	--	---



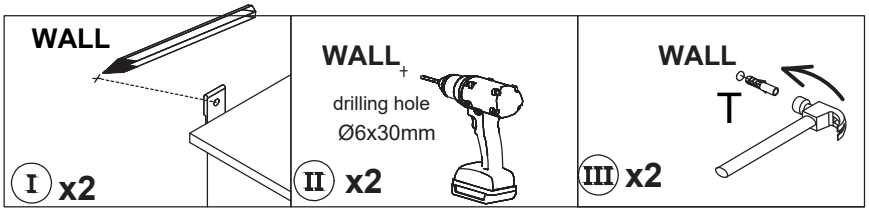
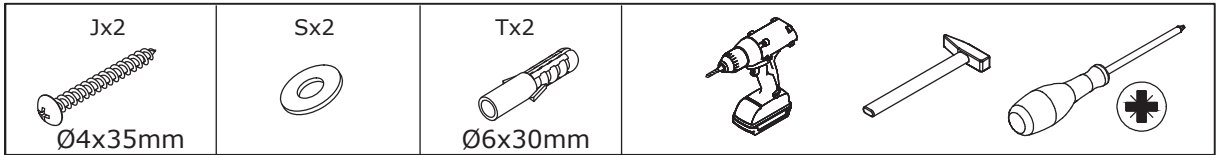
35

Ix12  Ø3.5x12mm	DLx2  L300mm	DRx2  L300mm	
--	---	---	---

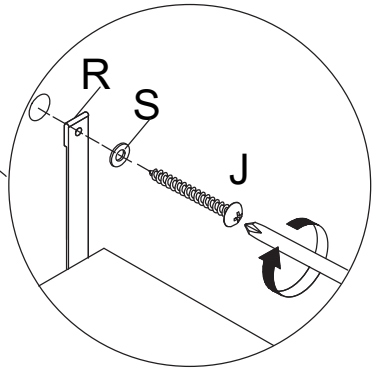
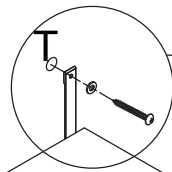
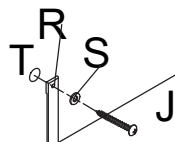




37



WALL



WALL

