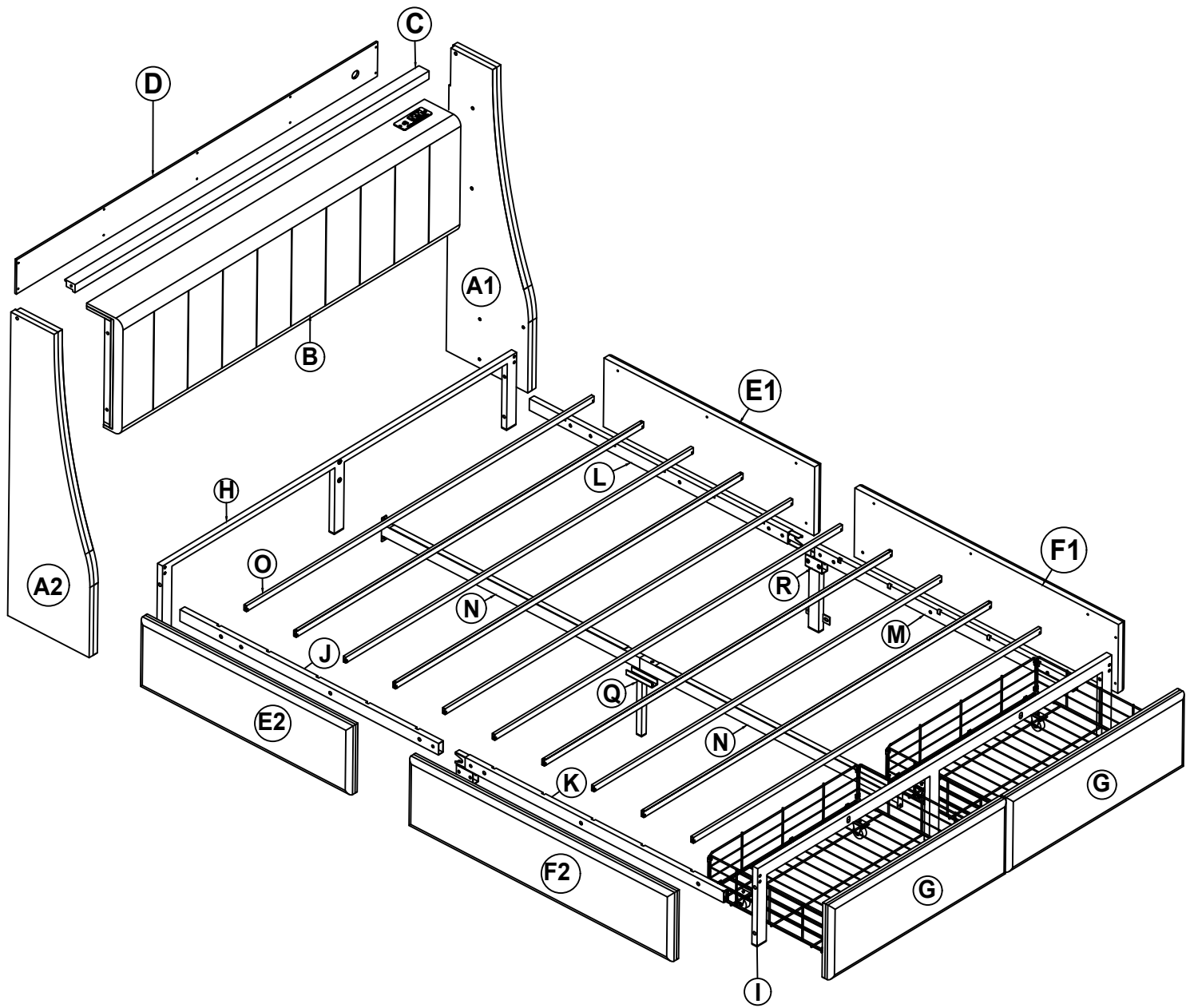


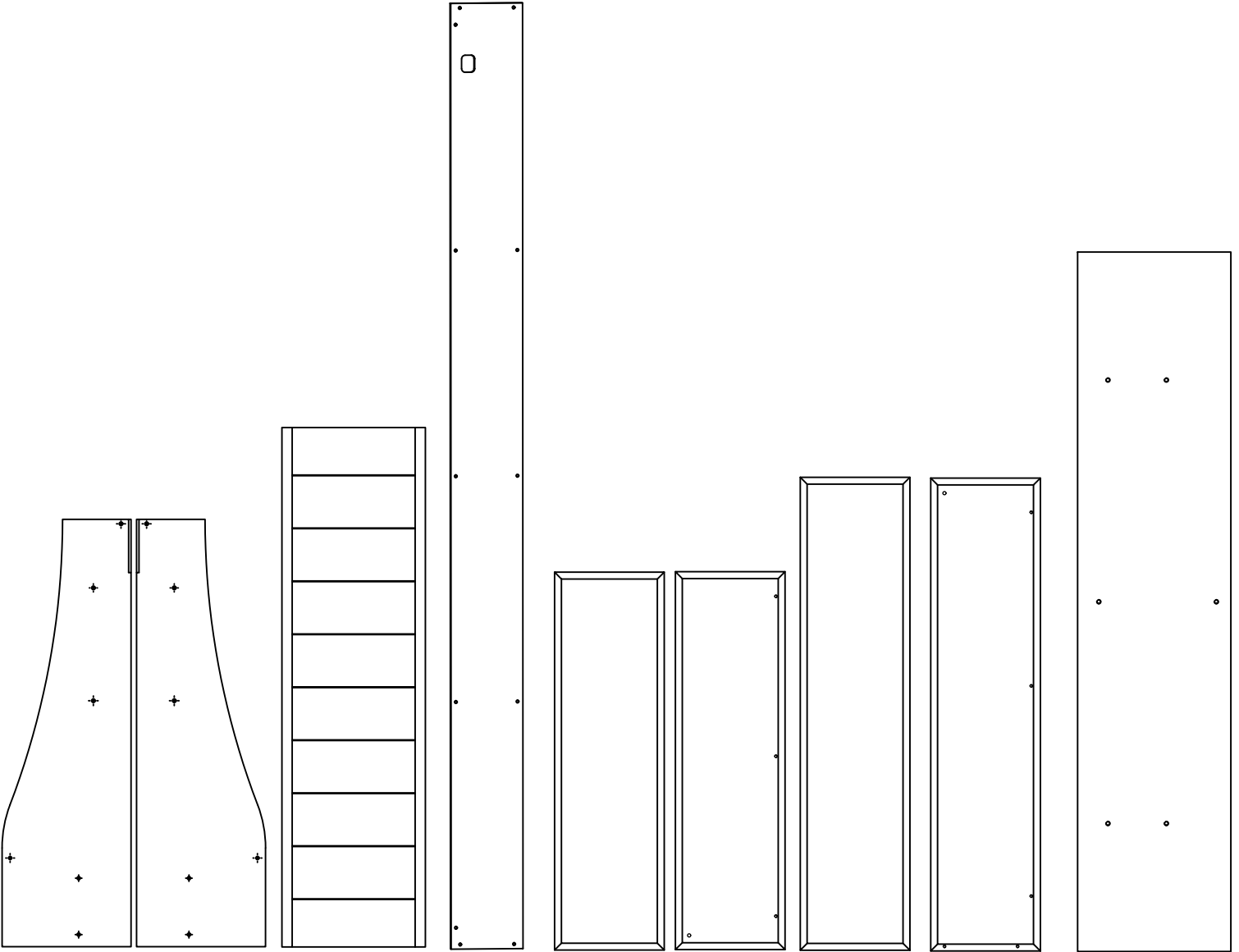
Model: C337-FD-FH

PRODUCT GUIDE AND INSTALLATION MANUAL





Parts List:



A2

1pcs

A1

1pcs

B

1pcs

D

1pcs

E1

1pcs

E2

1pcs

F1

1pcs

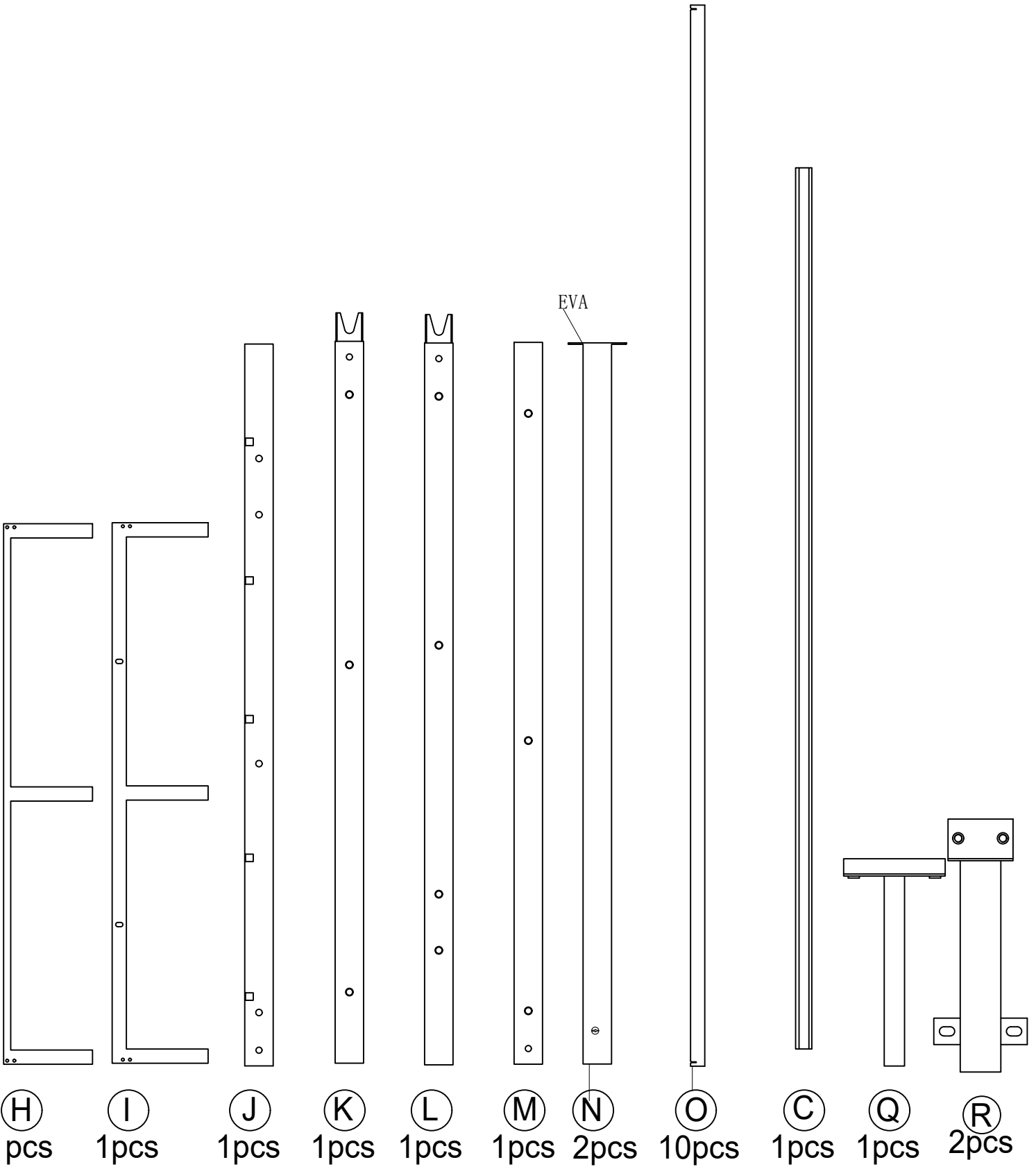
F2

1pcs

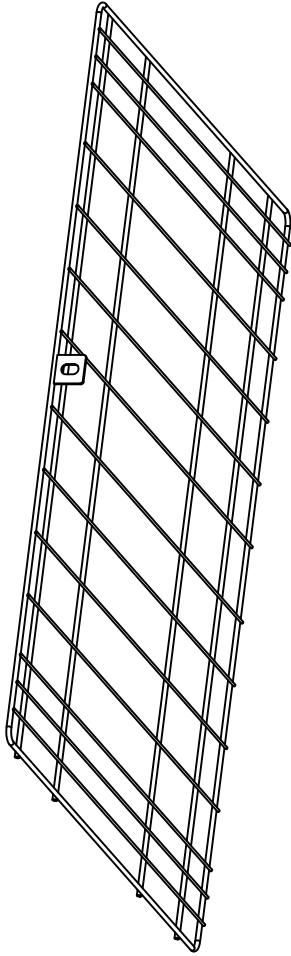
G

2pcs

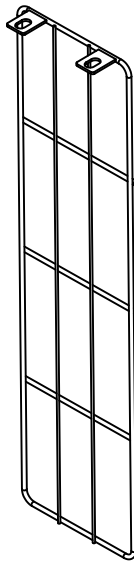
Parts List:



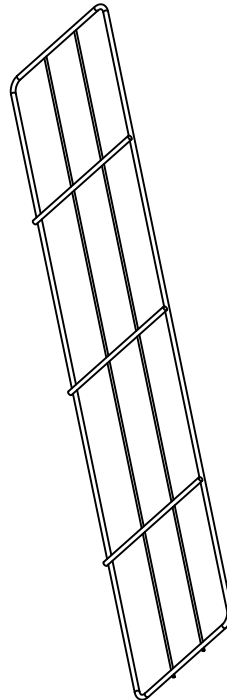
Parts List:



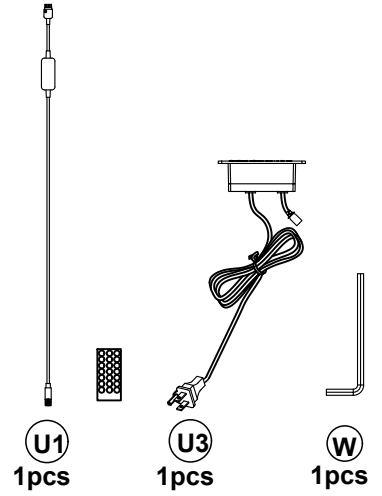
Z4
2pcs



Z2
4pcs



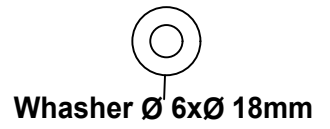
Z3
2pcs



U1
1pcs

U3
1pcs

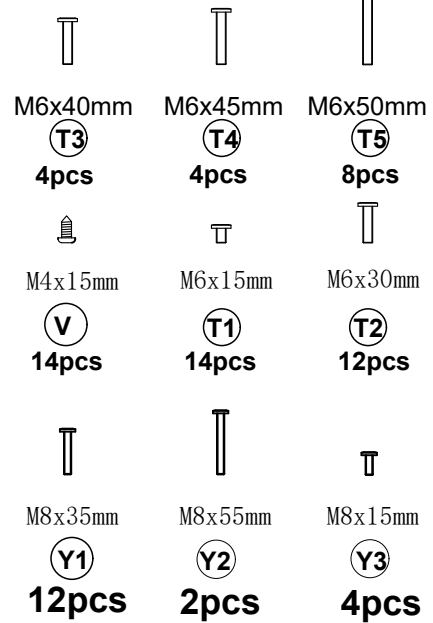
W
1pcs



Whasher $\text{\O} 6 \times \text{\O} 18 \text{mm}$



X
2pcs



M6x40mm
T3
4pcs

M6x45mm
T4
4pcs

M6x50mm
T5
8pcs

M4x15mm
V
14pcs

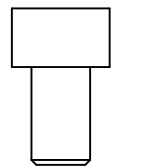
M6x15mm
T1
14pcs

M6x30mm
T2
12pcs

M8x35mm
Y1
12pcs

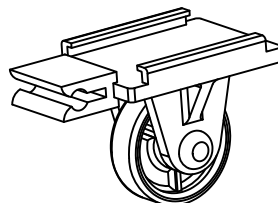
M8x55mm
Y2
2pcs

M8x15mm
Y3
4pcs

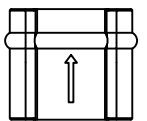


M6x10mm

Z8
2pcs



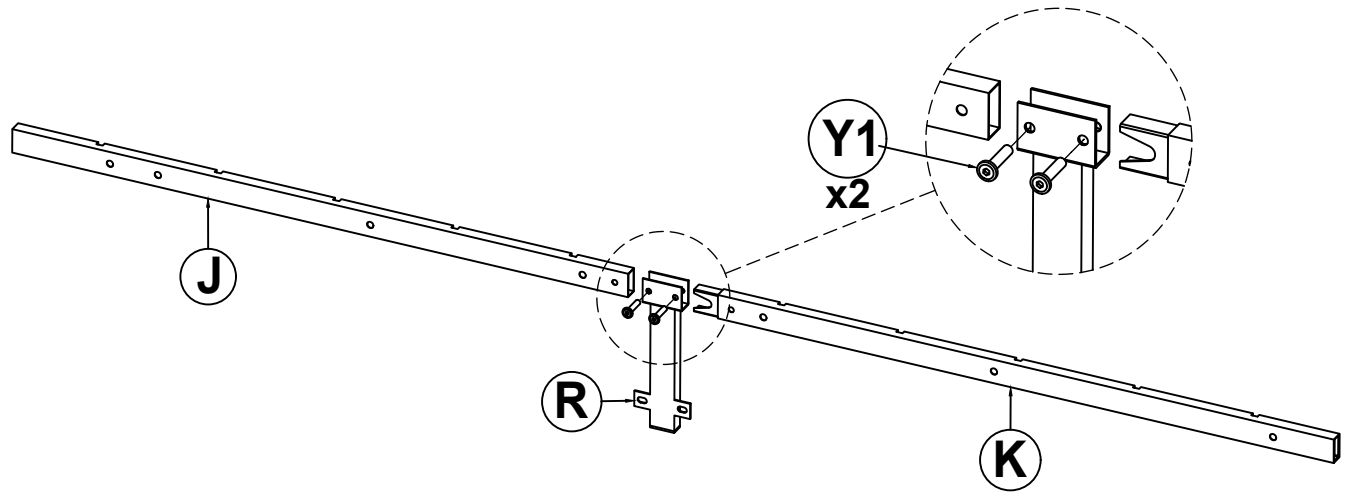
Z5
8pcs



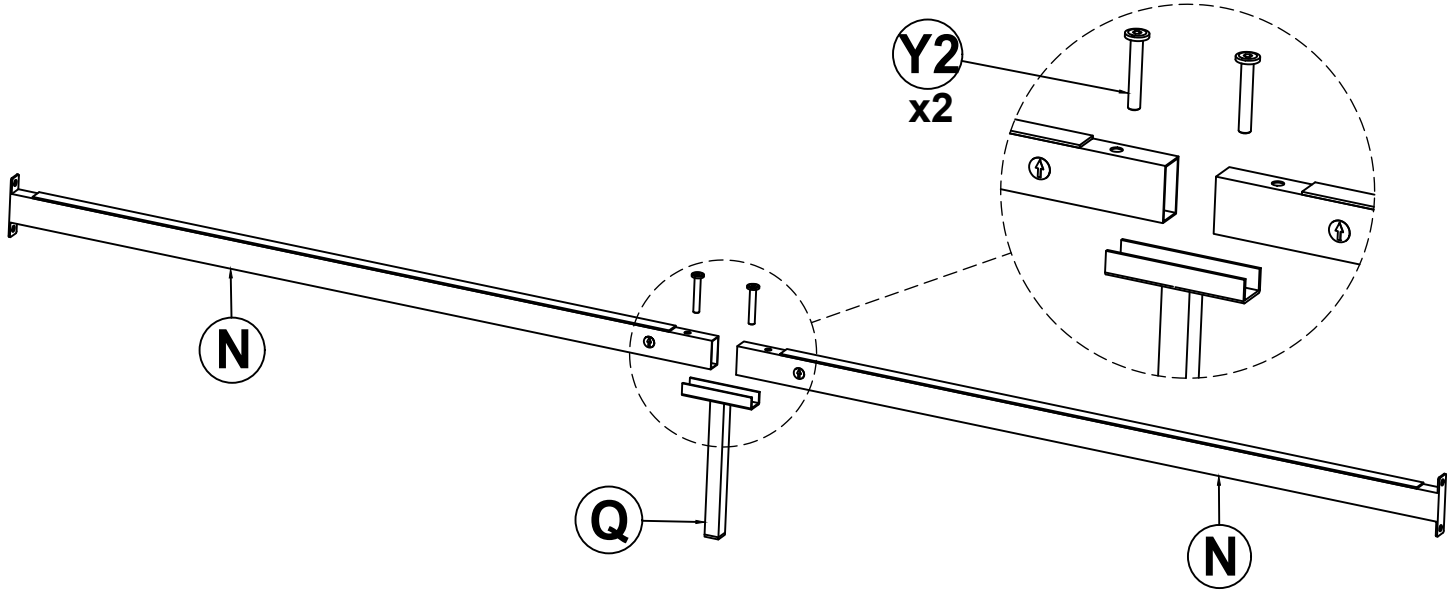
Q1
20pcs

1.1

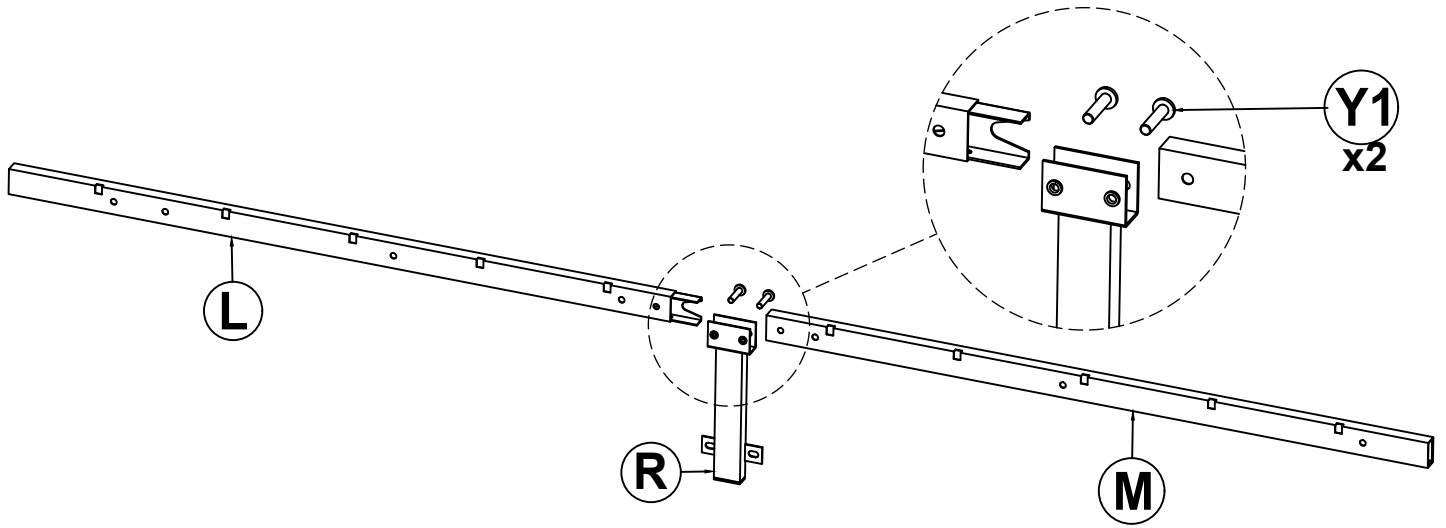
Step 1



1.2

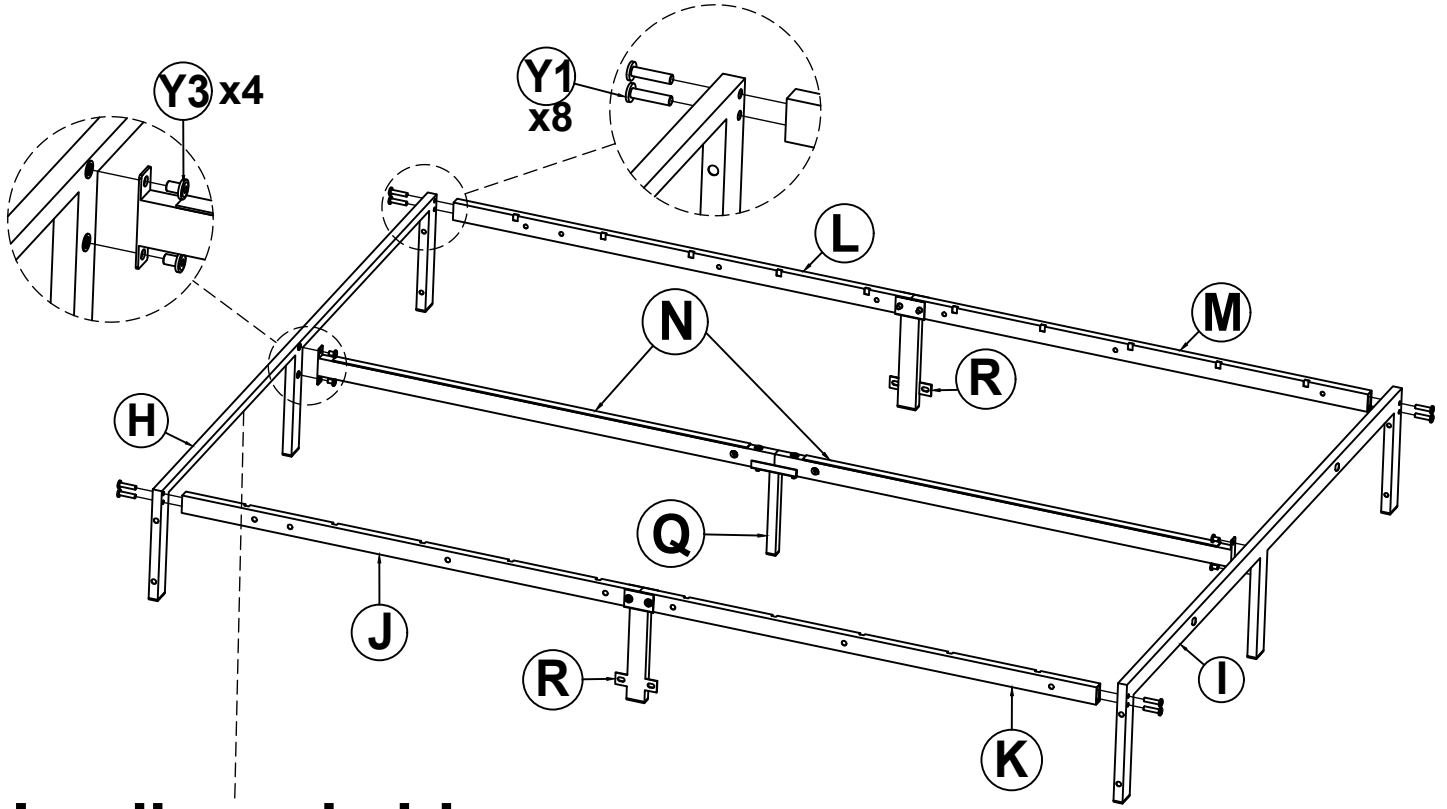


1.3



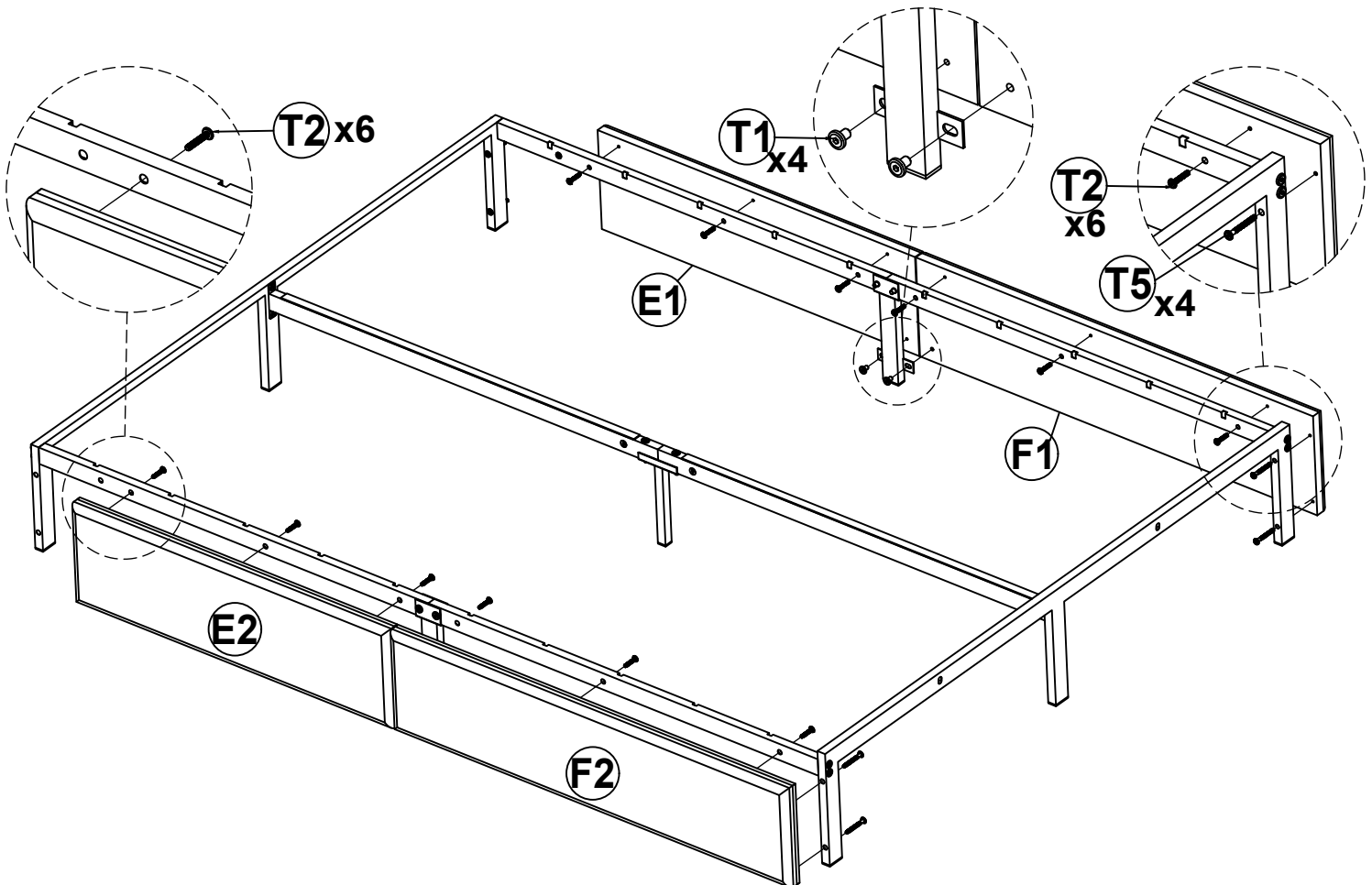
2.1

Step 2



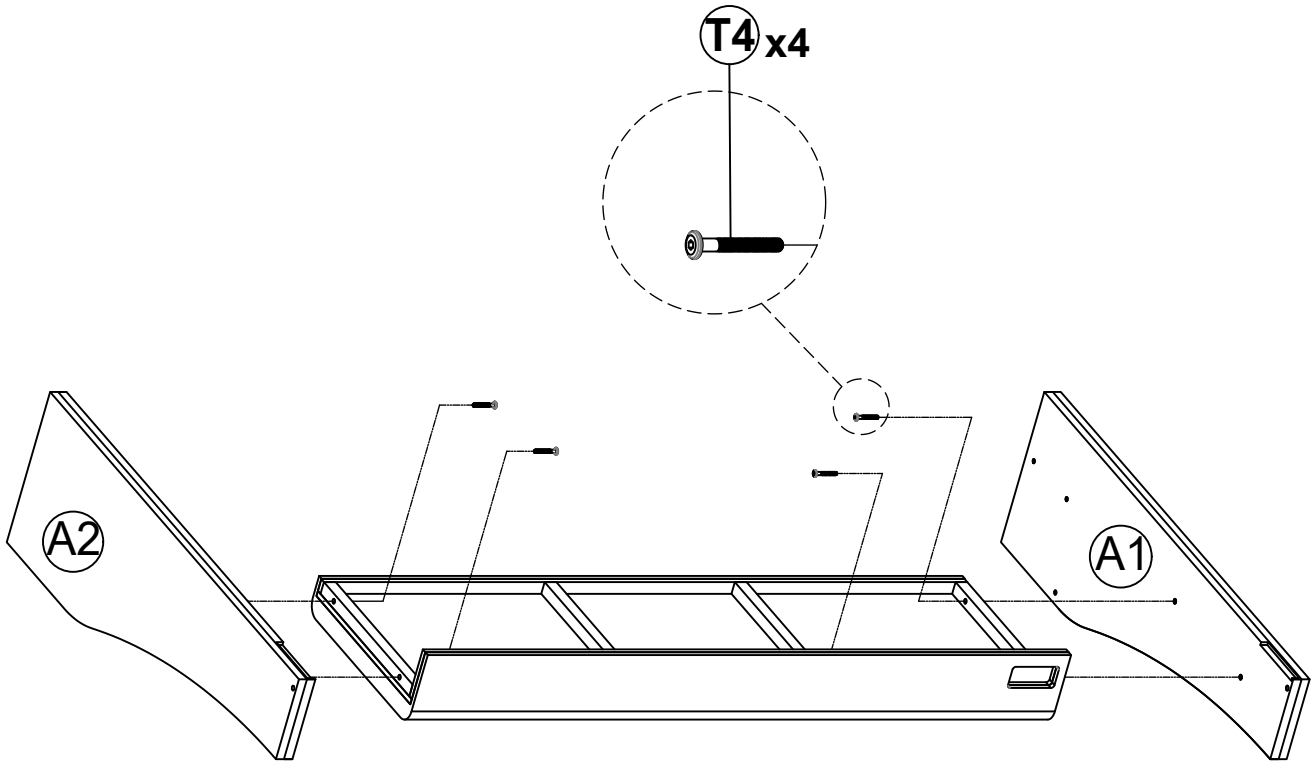
Headboard side

2.2

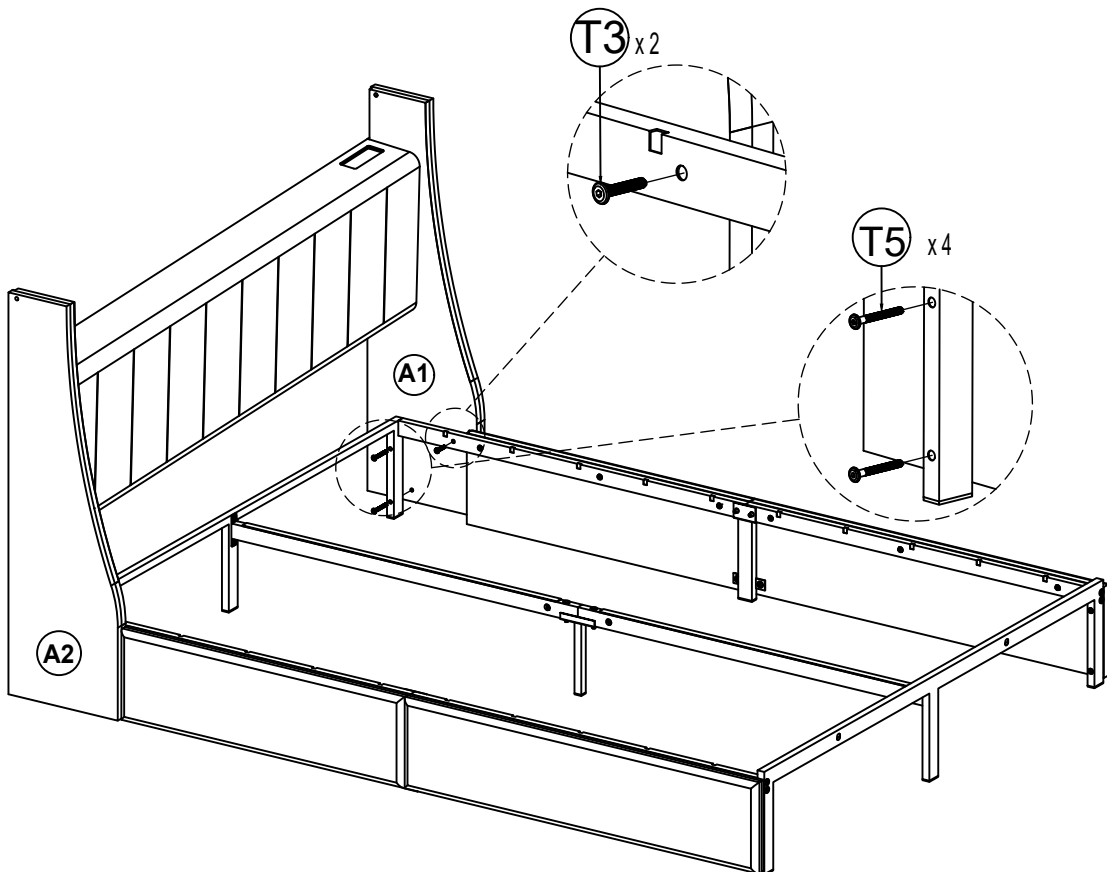


Step 3

3.1

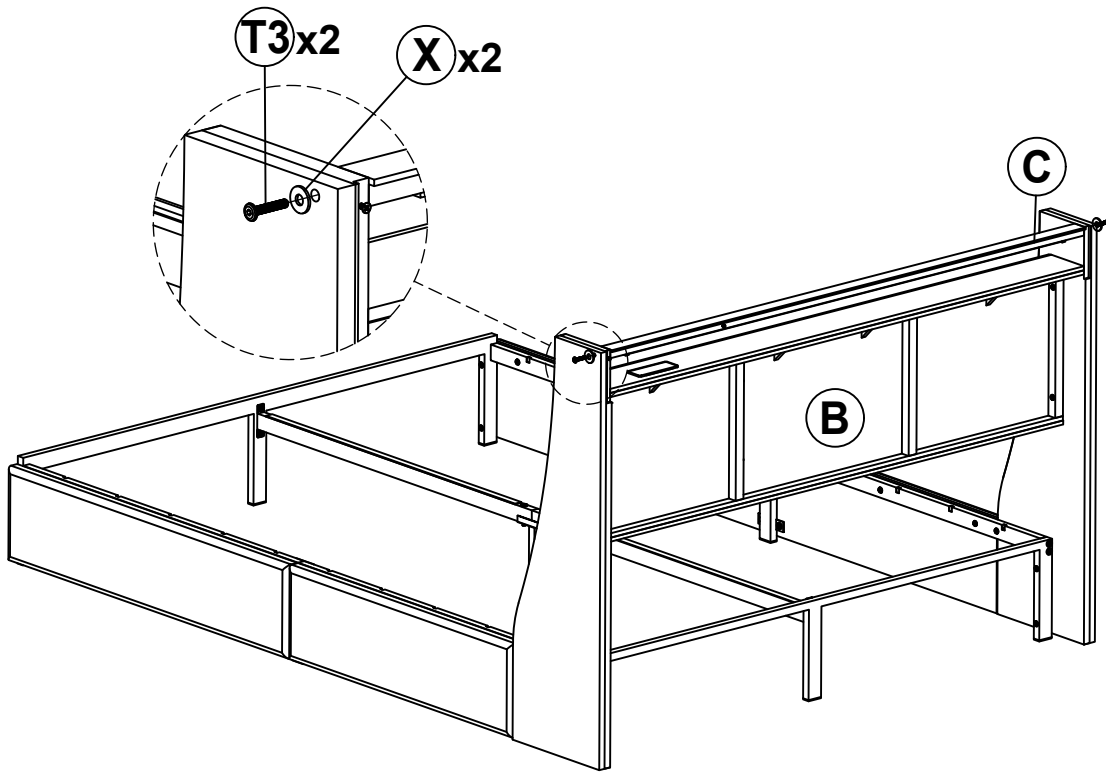


3.2

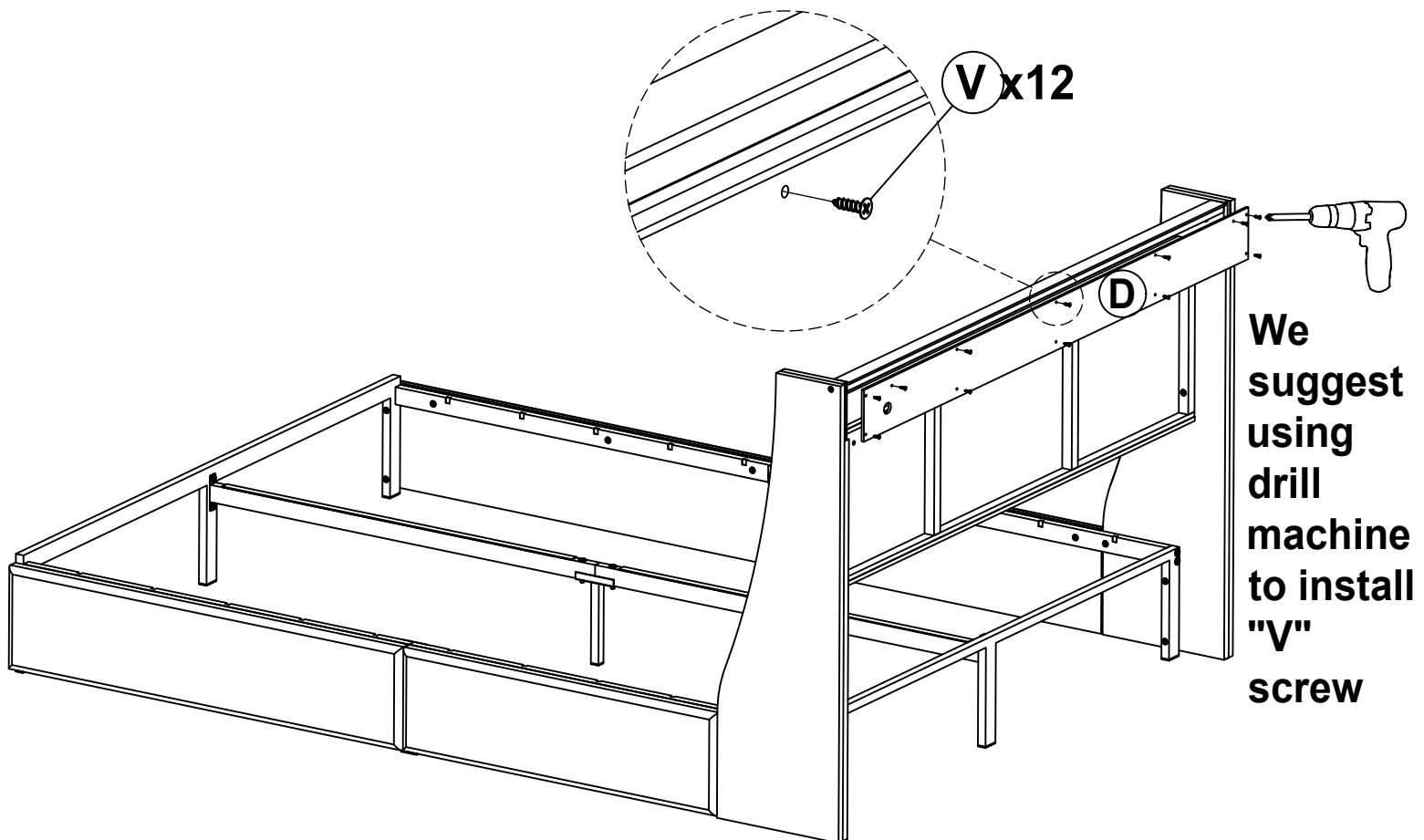


Step 4

4.1

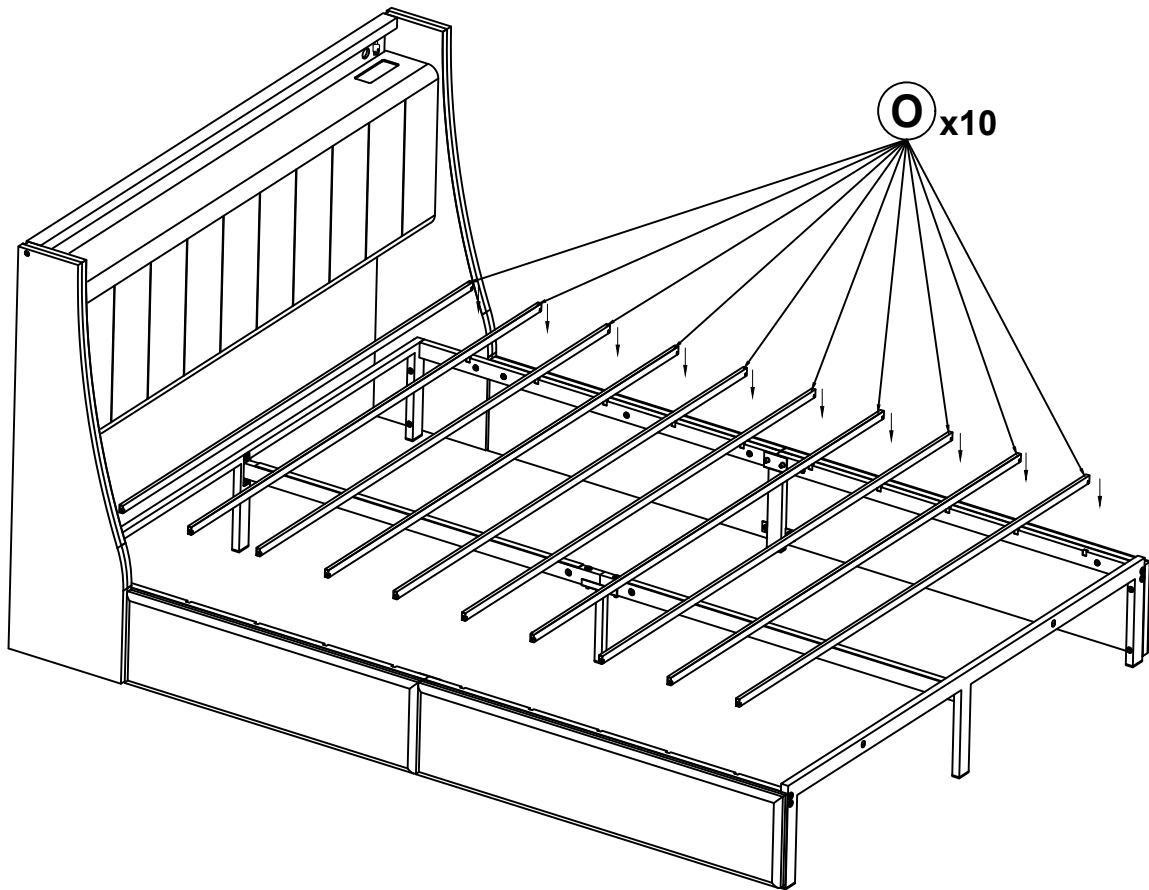


4.2



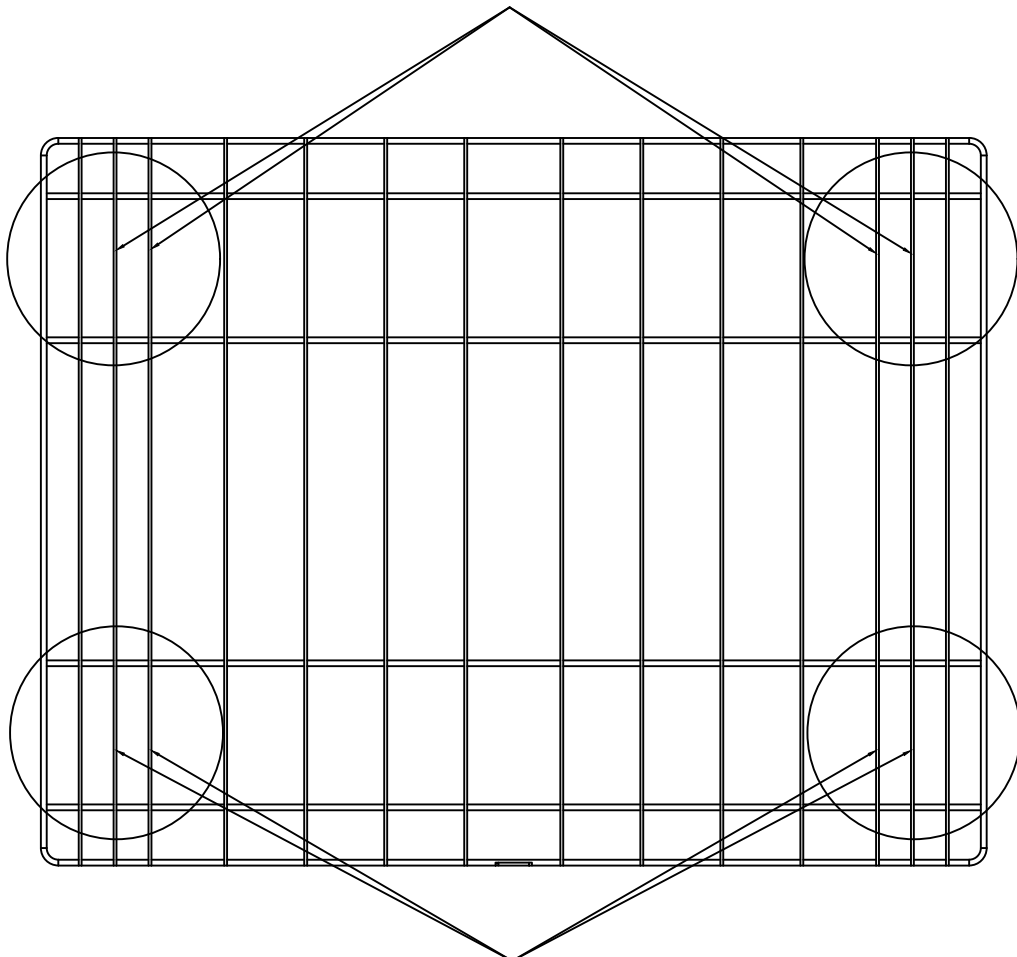
Step 5

Tear off the double-sided adhesive tape before place the mattress.

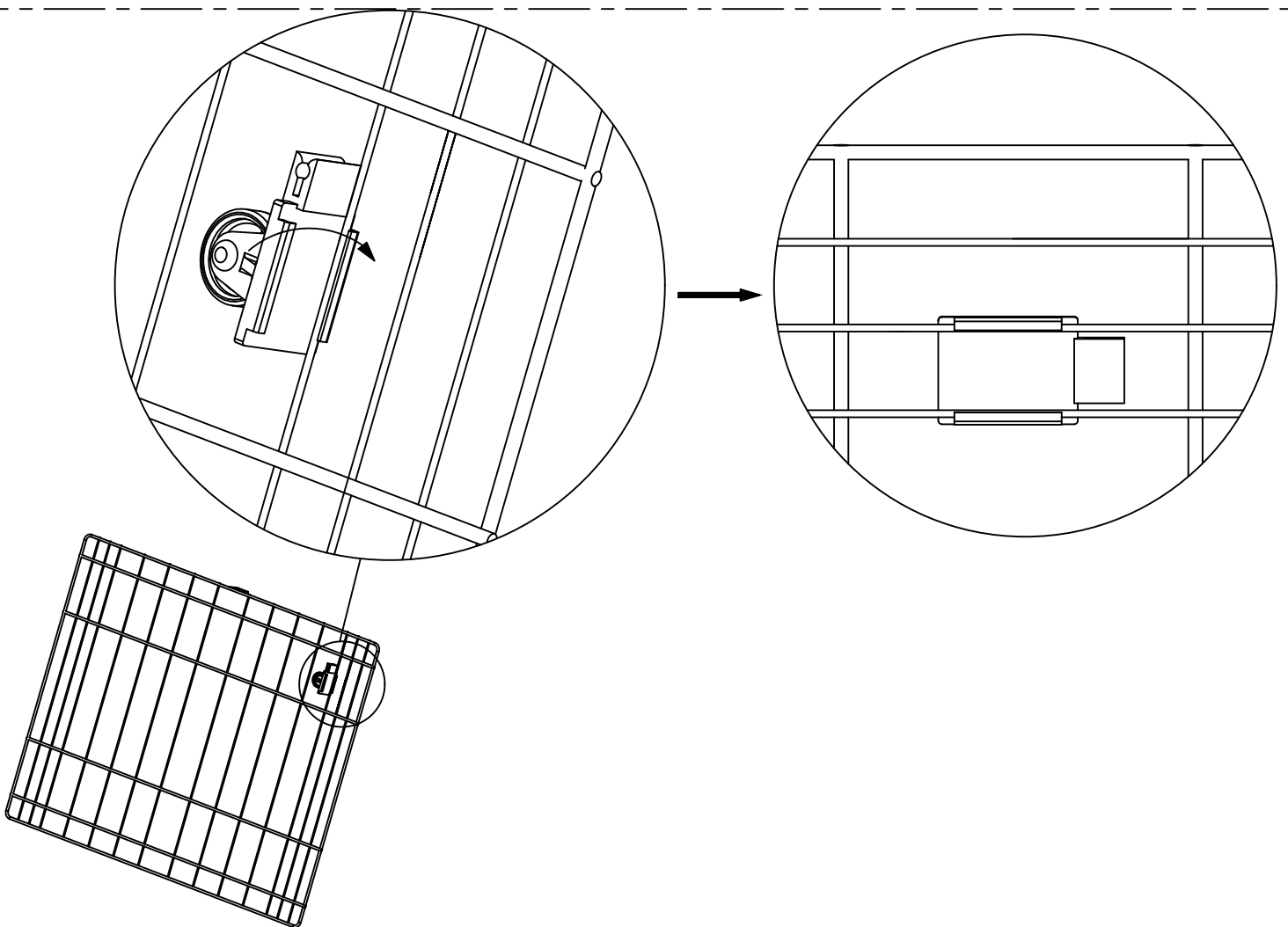
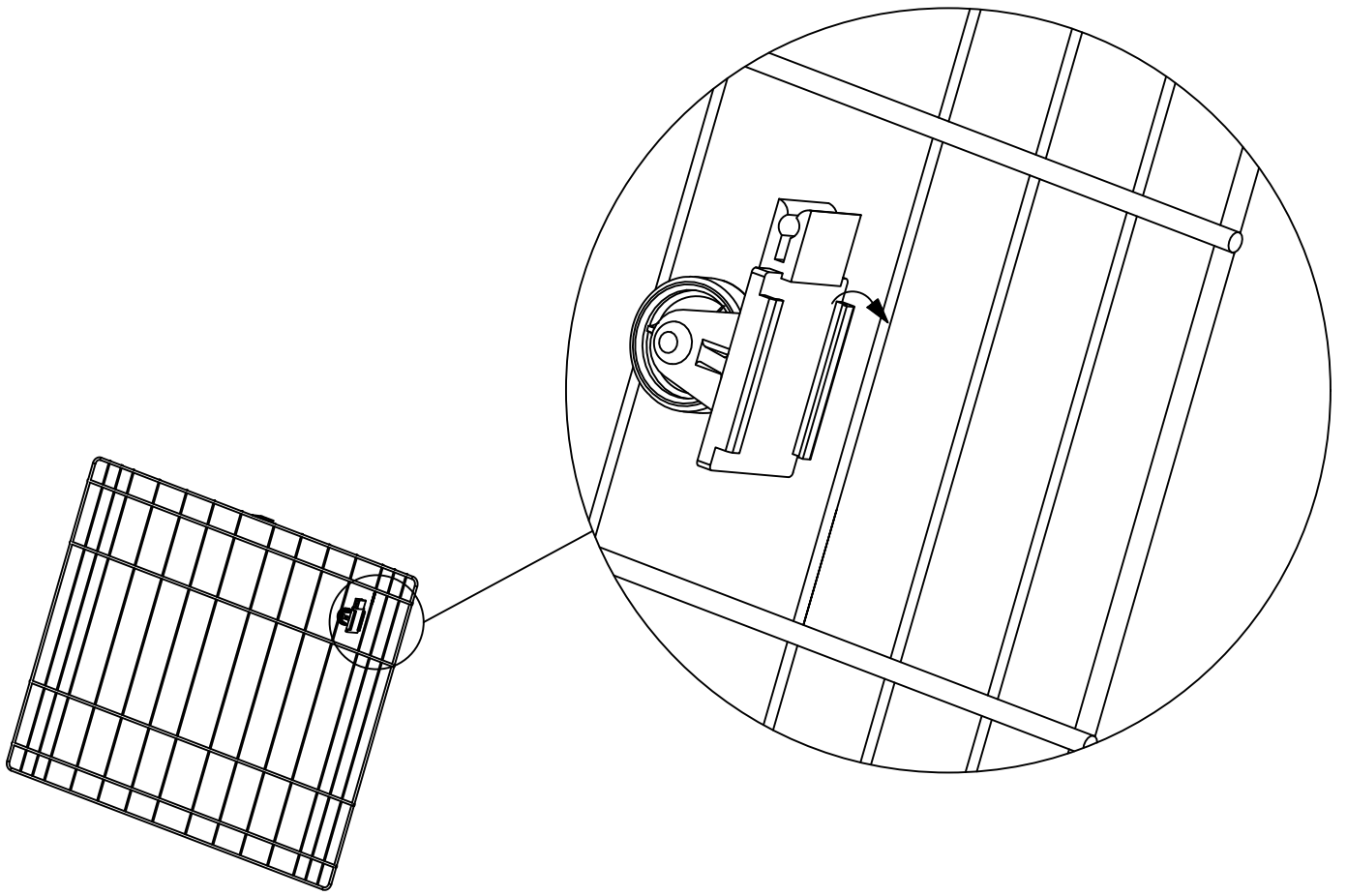


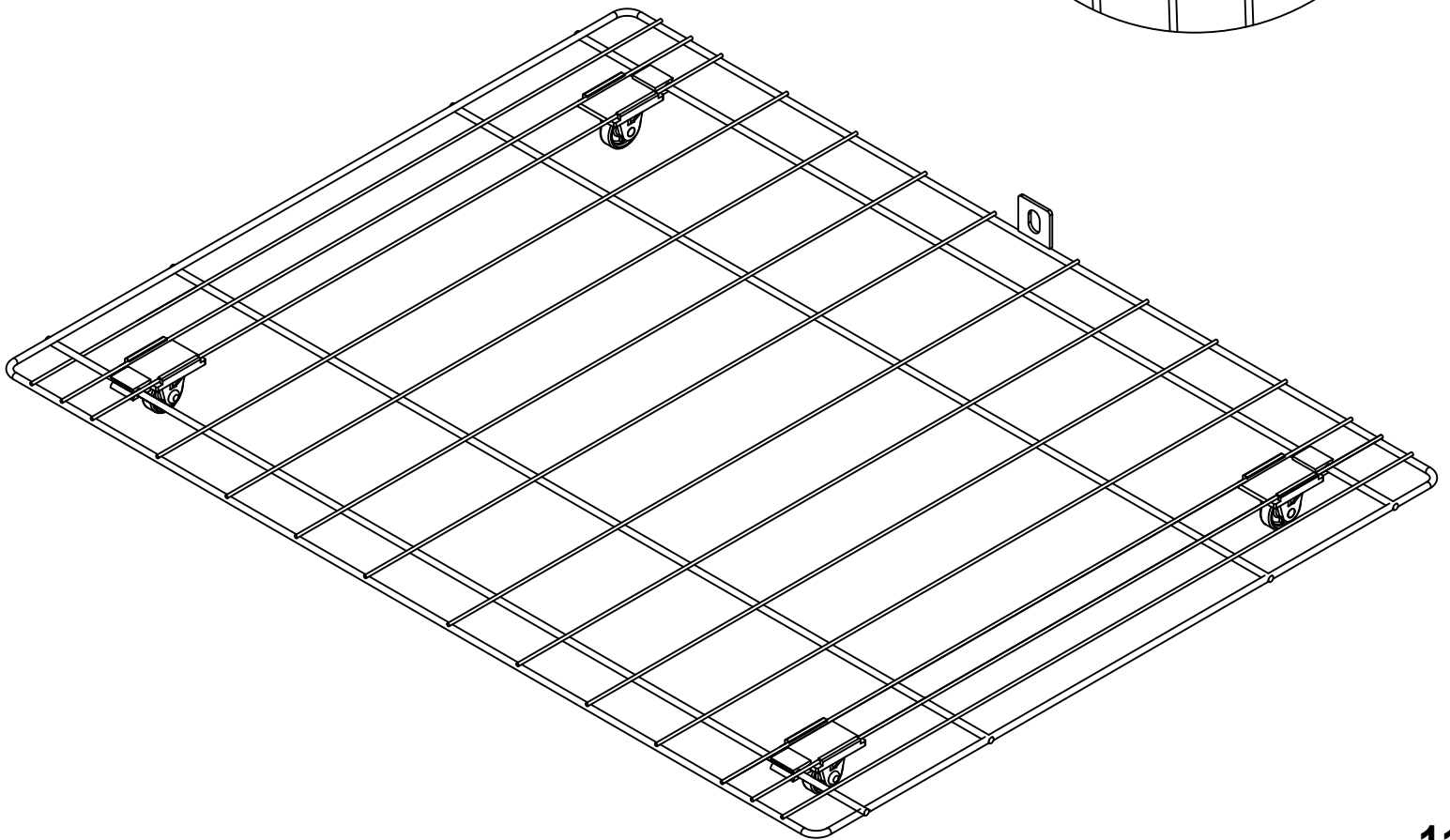
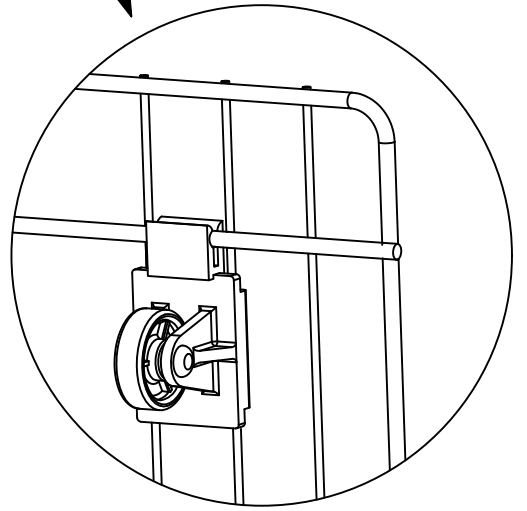
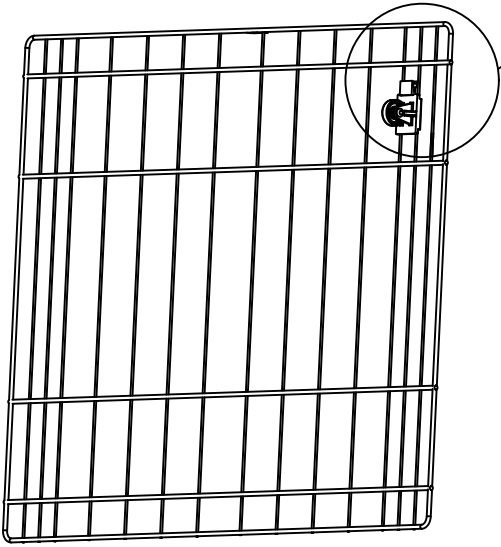
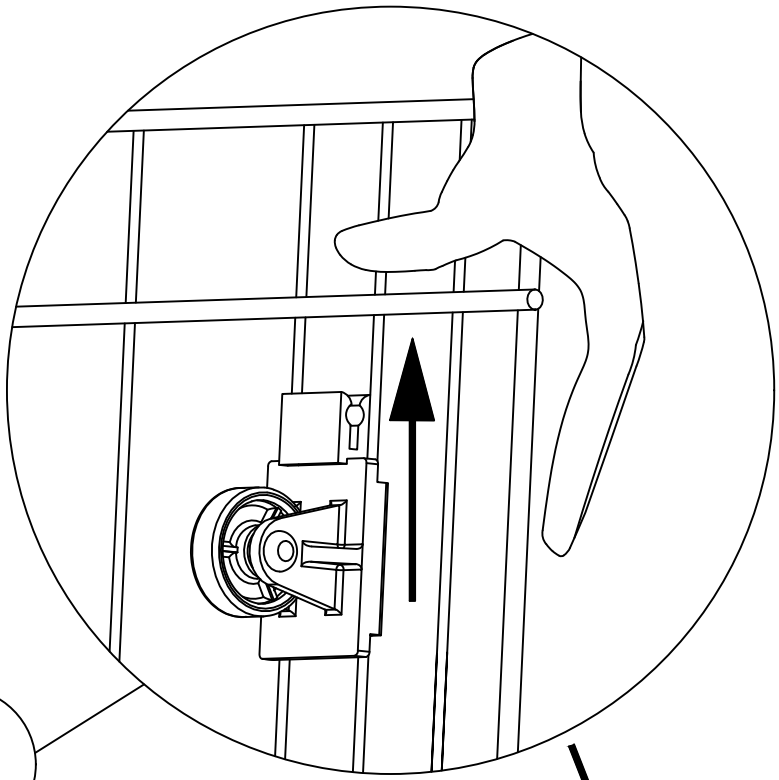
Step 6

Wheel mounting position



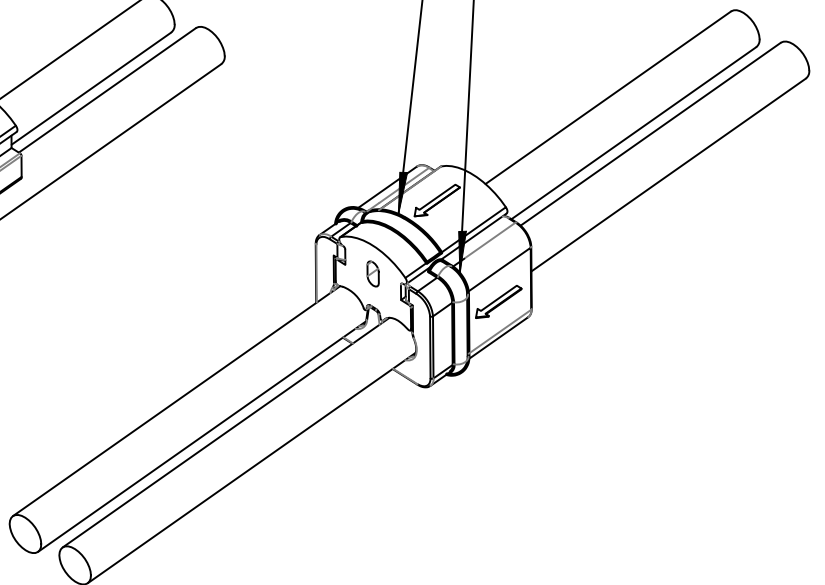
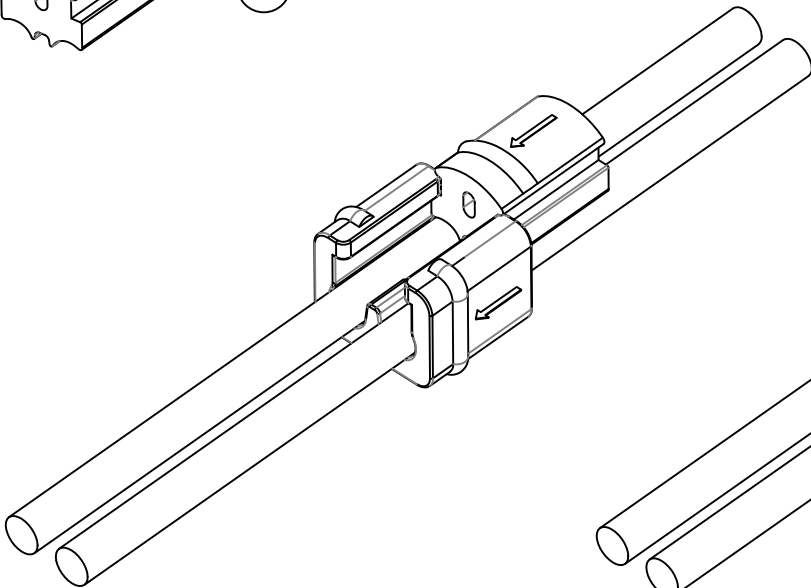
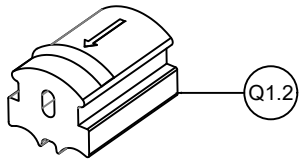
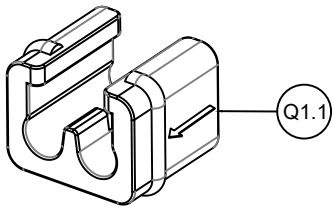
Wheel mounting position





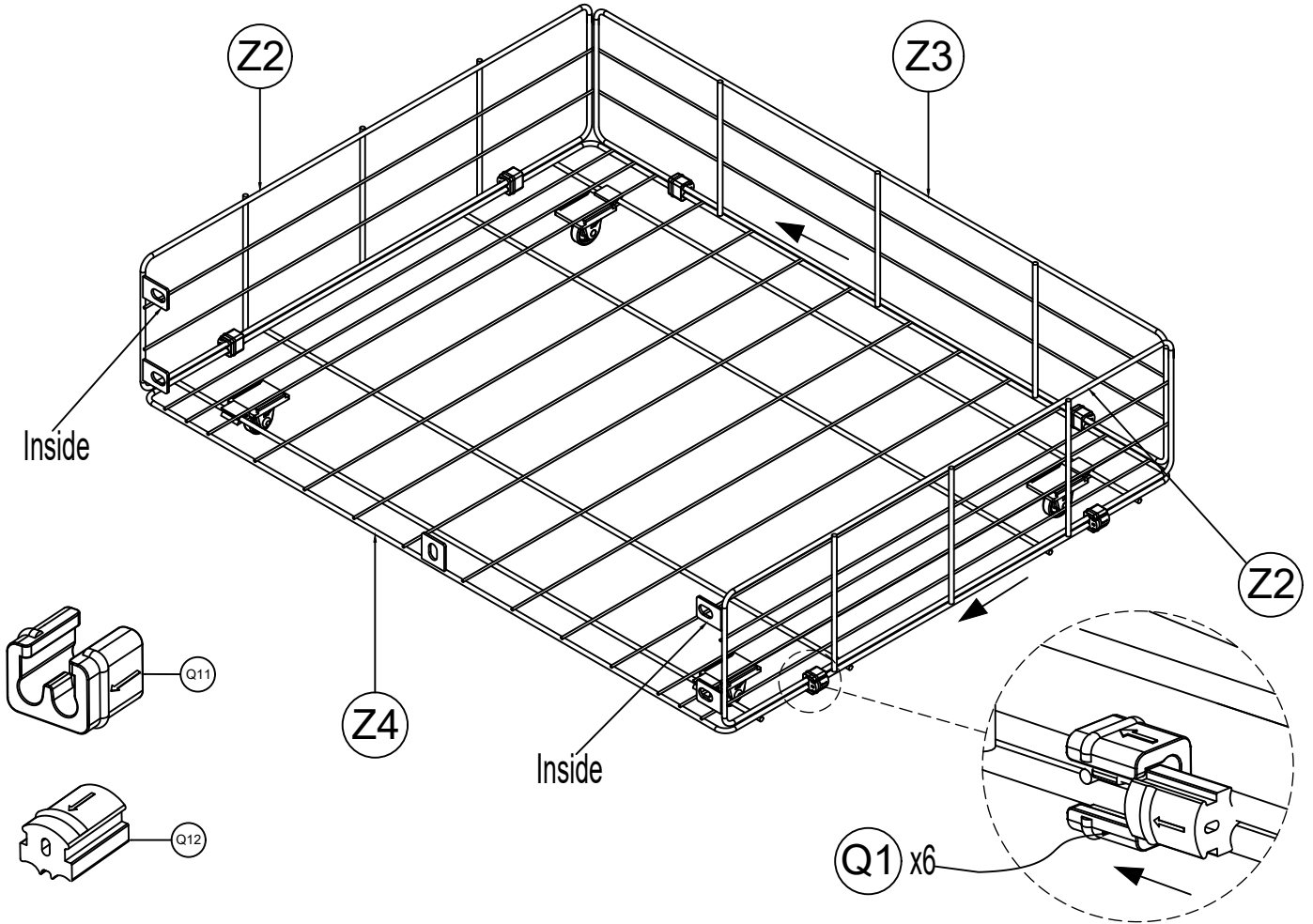
Detailed assembly instructions Q1

these two
lines on Q1.1
and Q1.2 need
to be matched

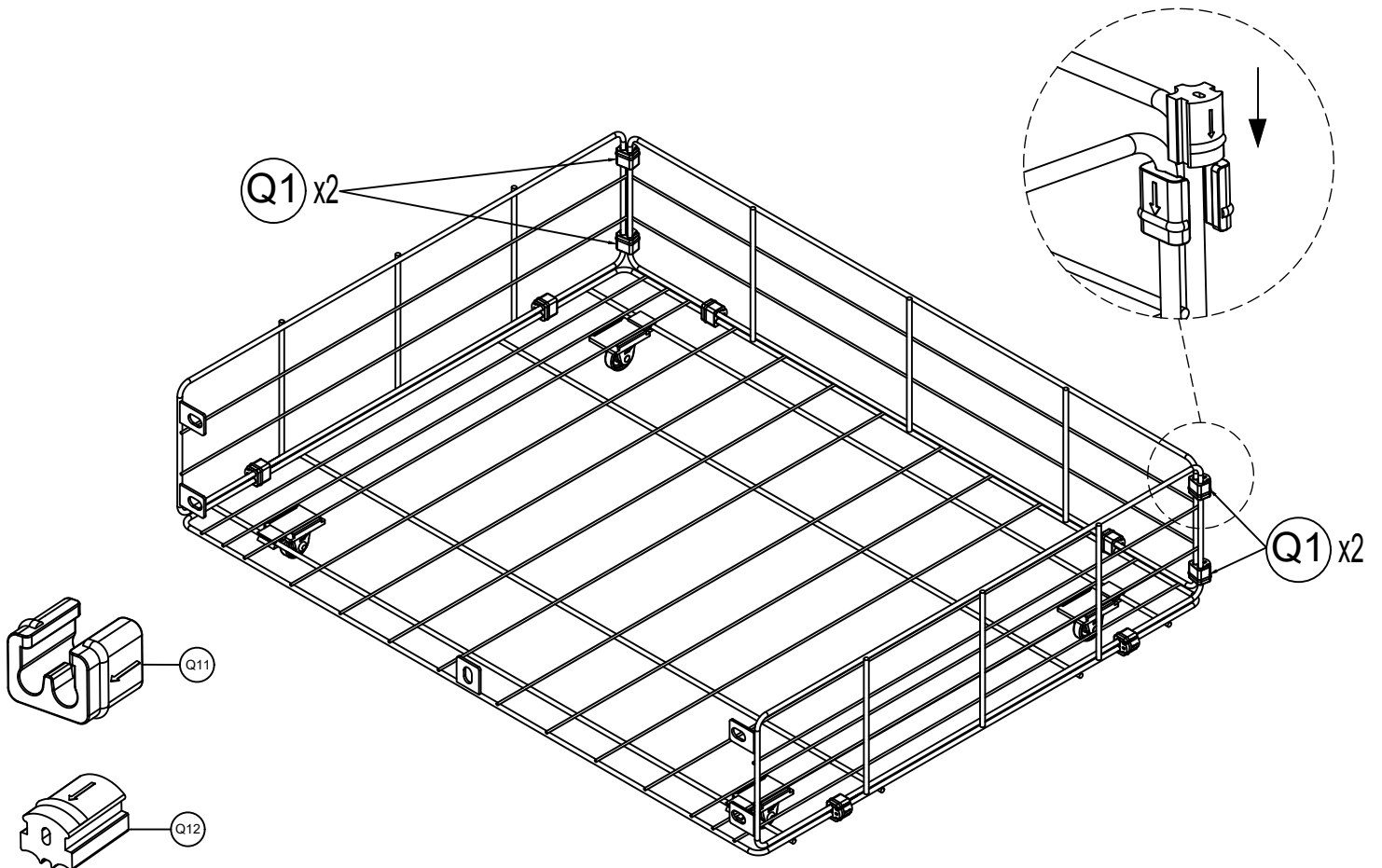


7.1

Step 7

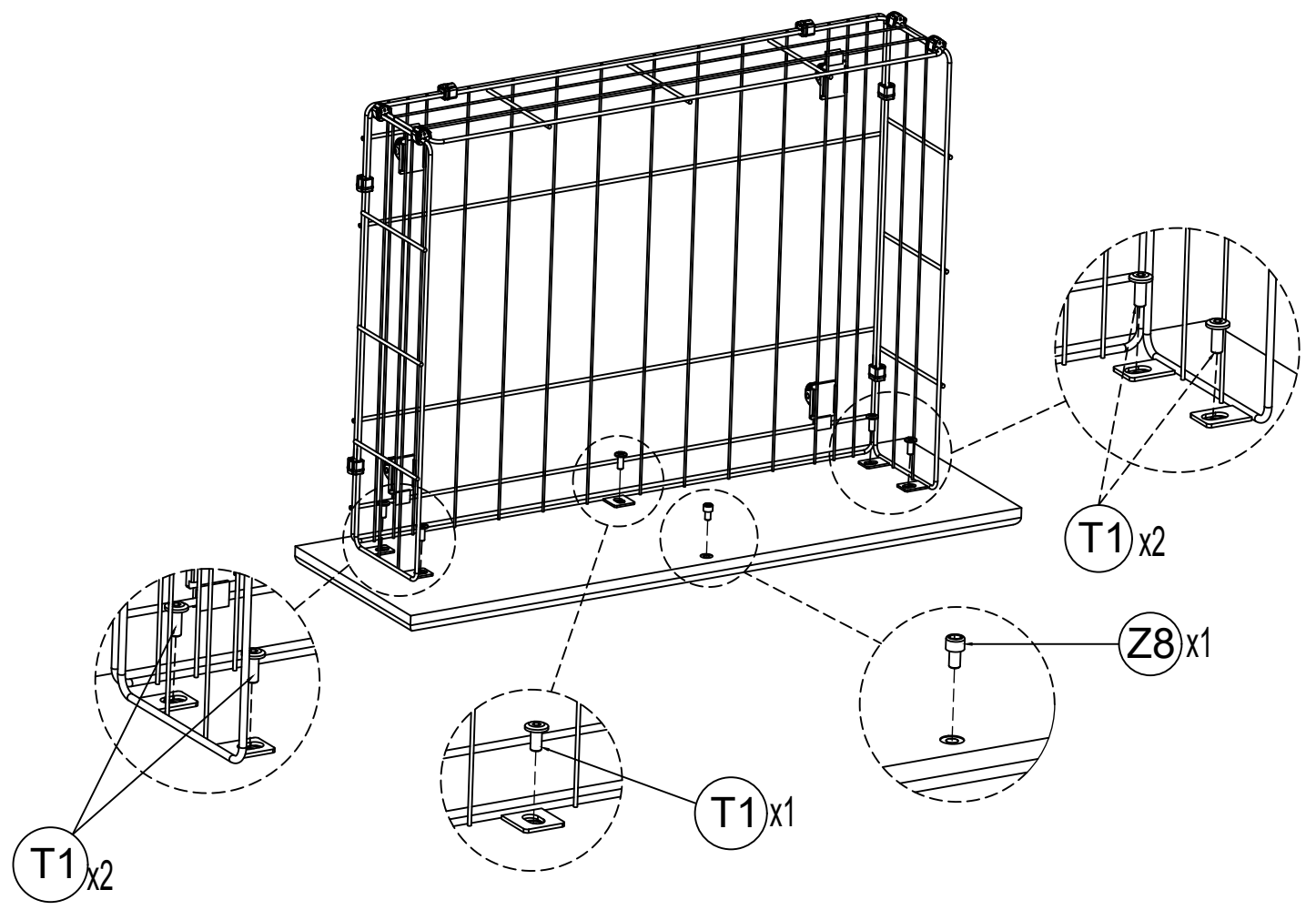


7.2

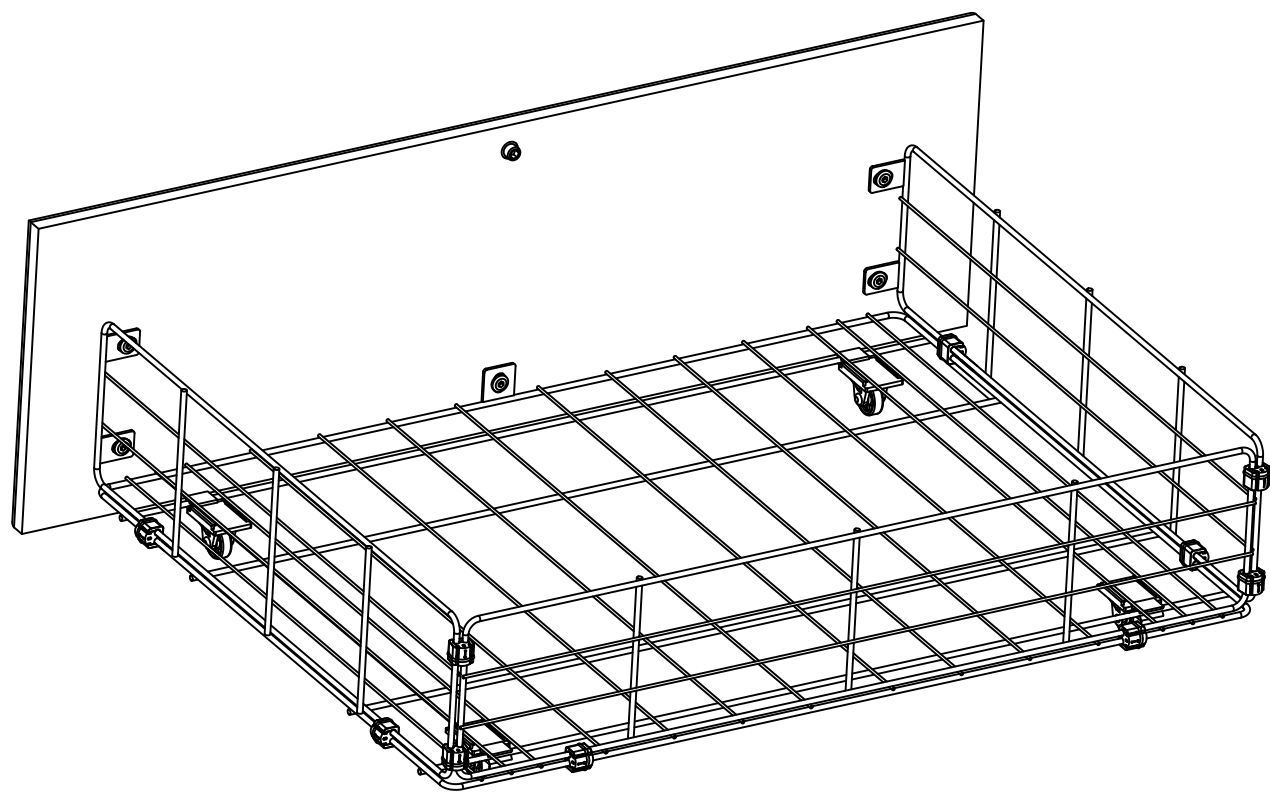


8.1

Step 8



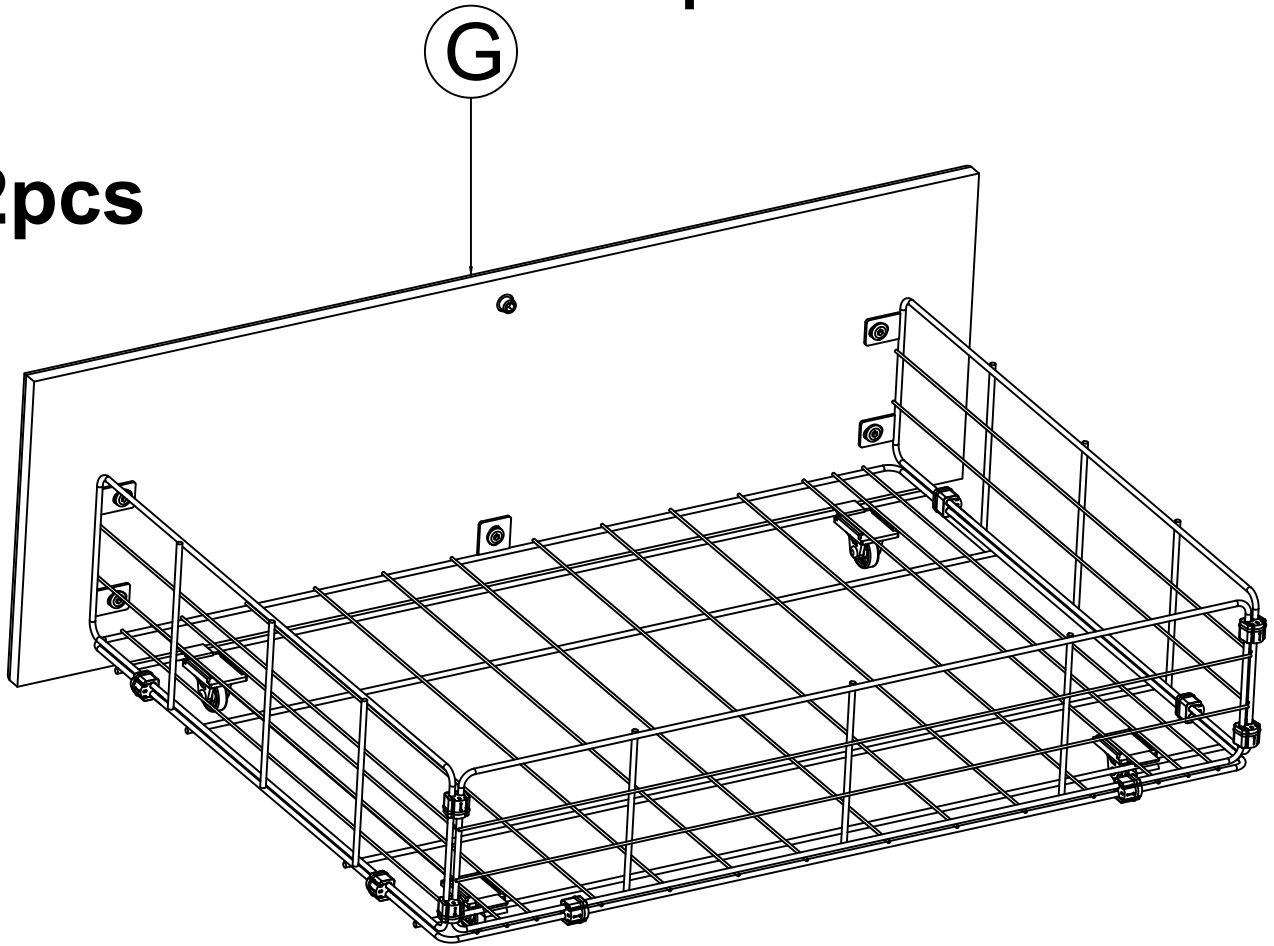
8.2



9.1

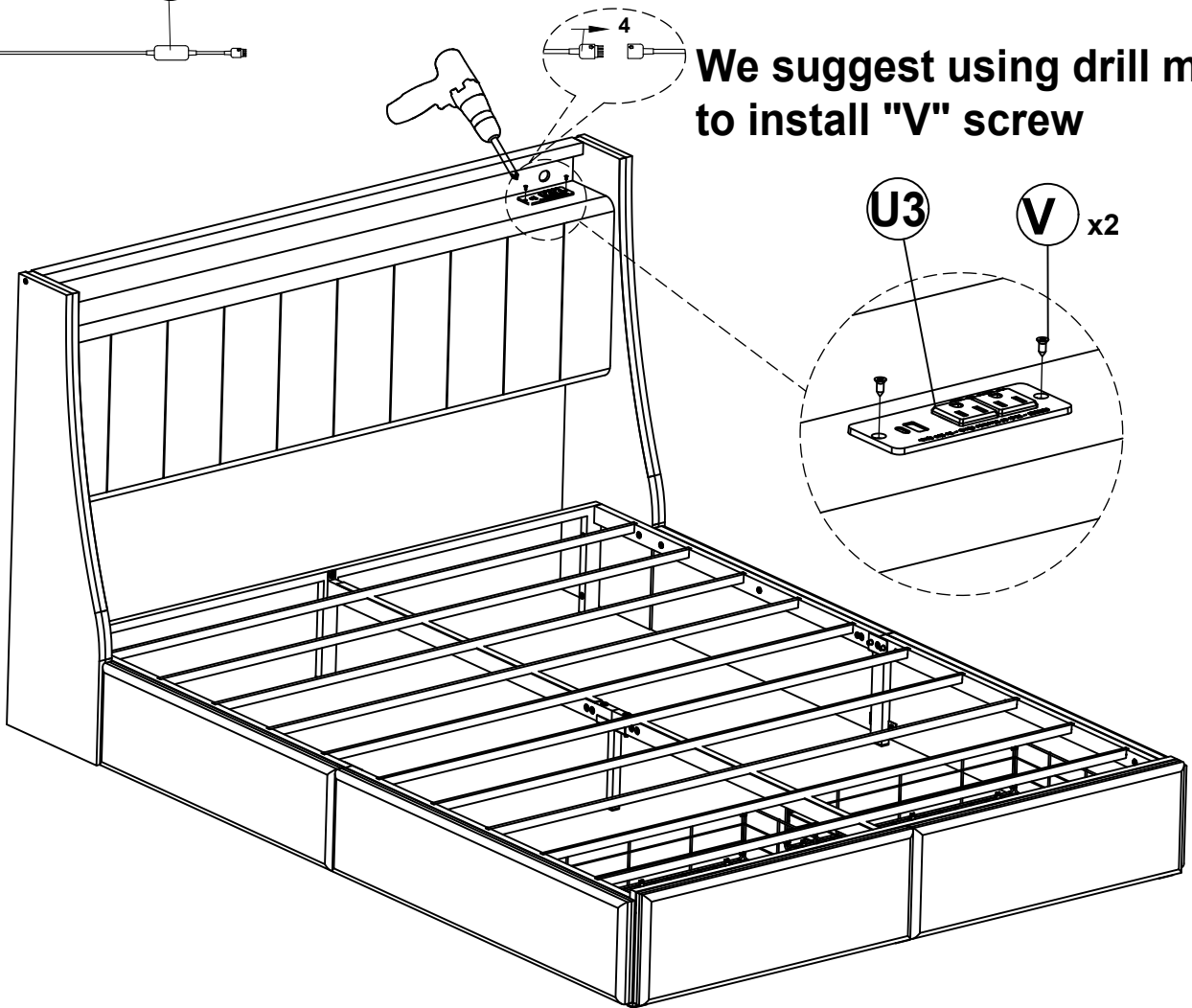
Step 9

2pcs



9.2

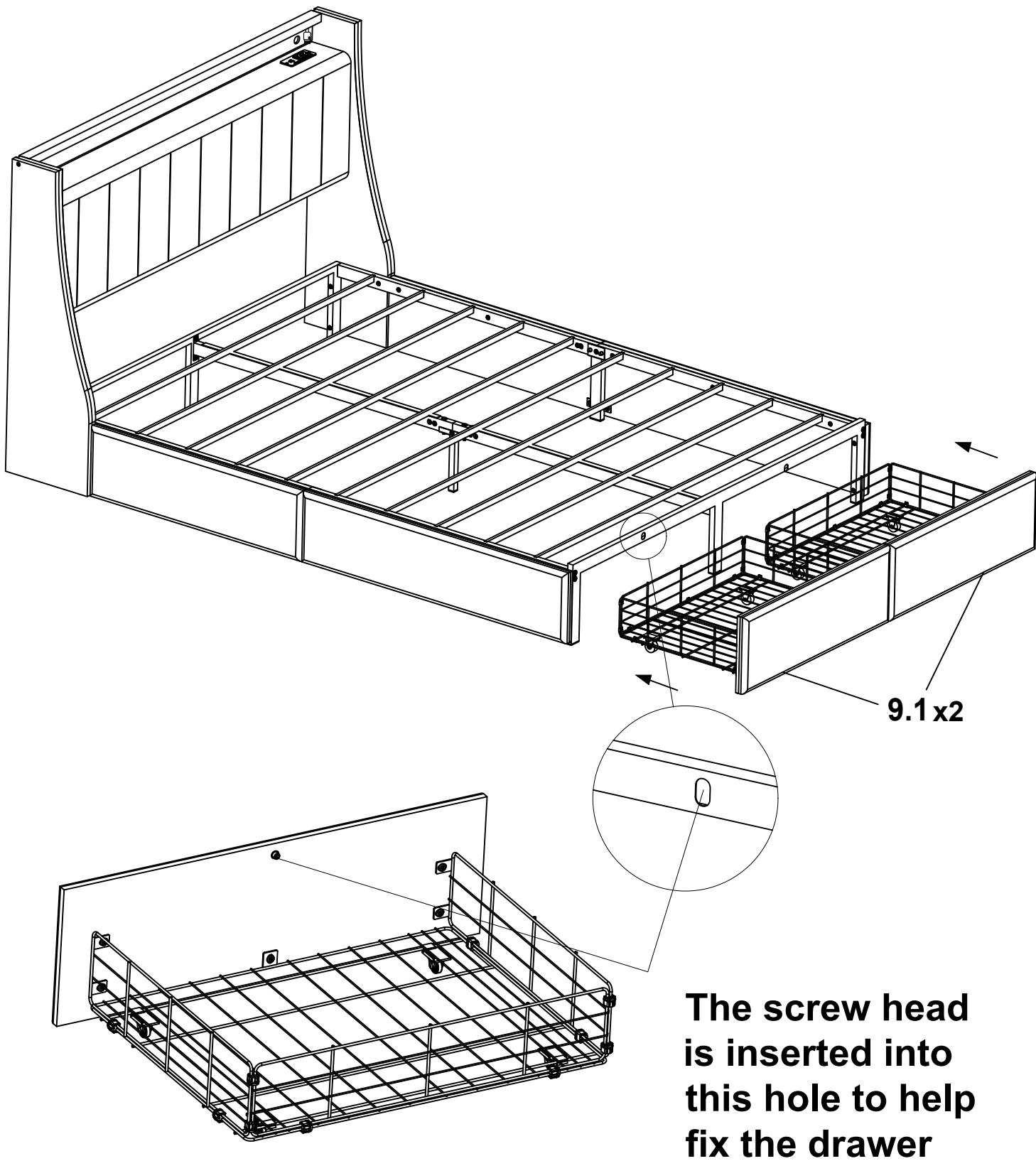
U1 X1



We suggest using drill machine to install "V" screw

U3

V x2



REMOTE CONTROL

