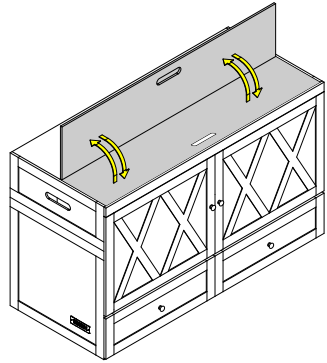
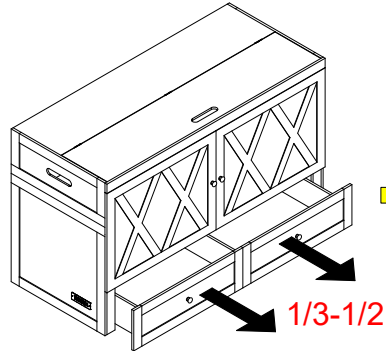


Operating Instructions

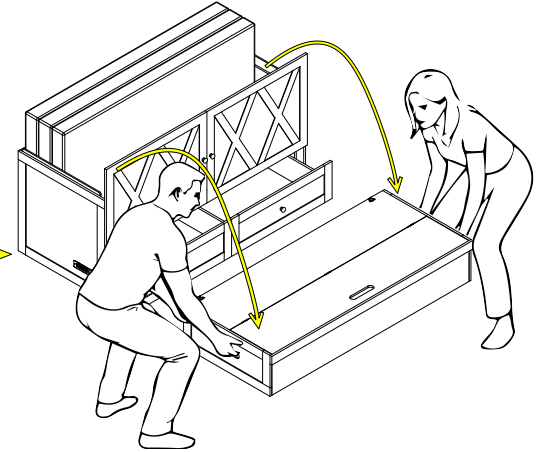
WARNING: HEAVY UNIT - TWO-PERSON OPERATION REQUIRED.



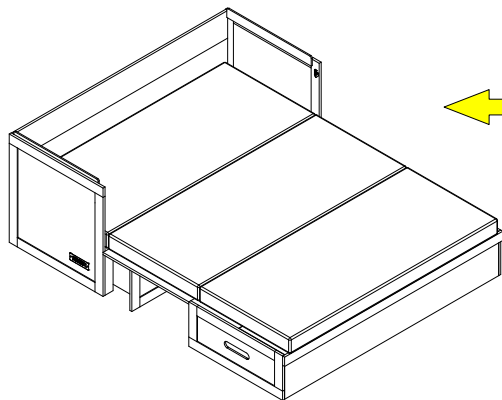
Flip up the lid for easy storage.



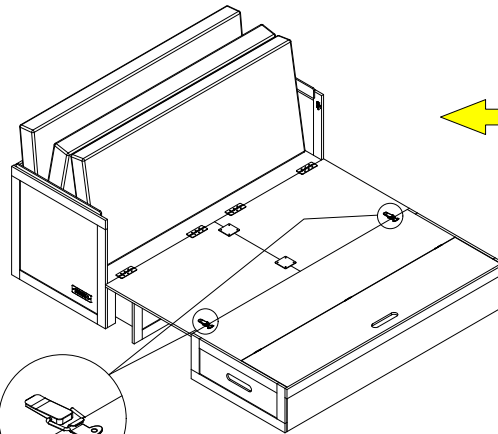
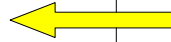
Just pull the drawer out partway—about a third or half of the way is fine.



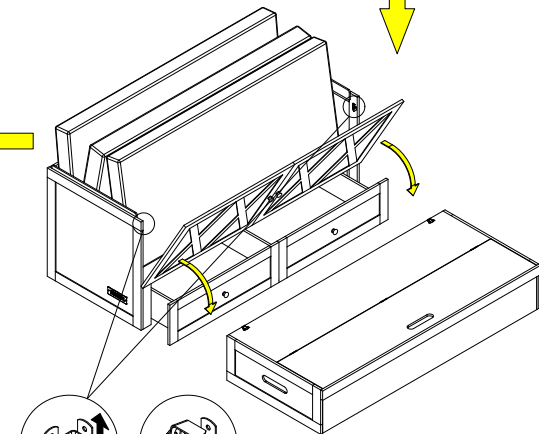
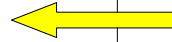
Carefully lift and lower the lid with two people.



Unfold the mattress



Lock



Unlock