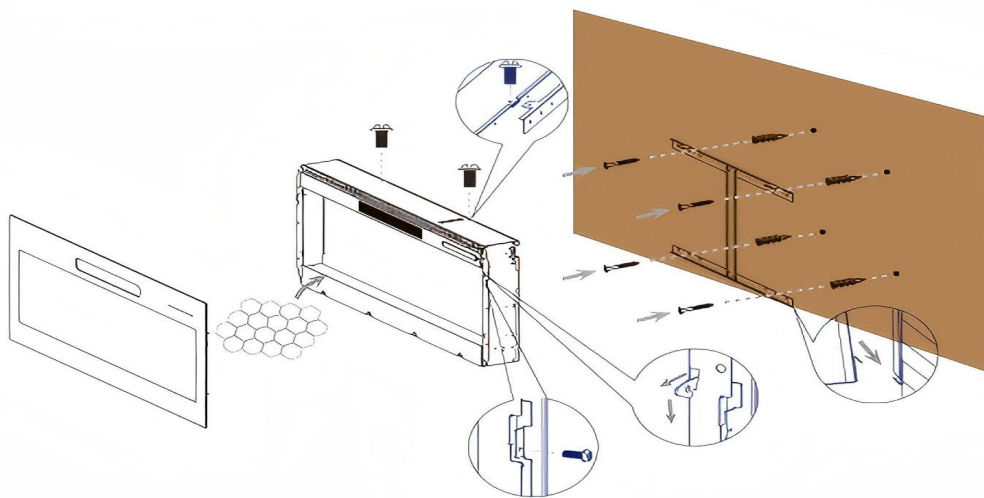


36/42 Inch Recessed Ultra Thin Tempered Glass Front Wall Mounted Electric Fireplace With Remote And Multi Color Flame & Emberbed, Led Light Heater

INSTALLATION MANUAL AND PRECAUTIONS

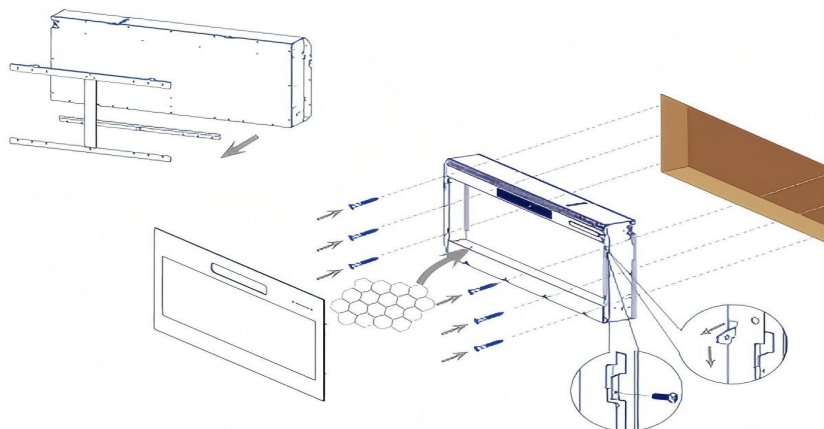
Wall Mounted Installation

1. Remove the mounting bracket from the fireplace and attach it to the wall.
2. Hang the fireplace on the mounting bracket.
3. Place crystals inside the fireplace.
4. Put the glass front panel on the fireplace and secure it.



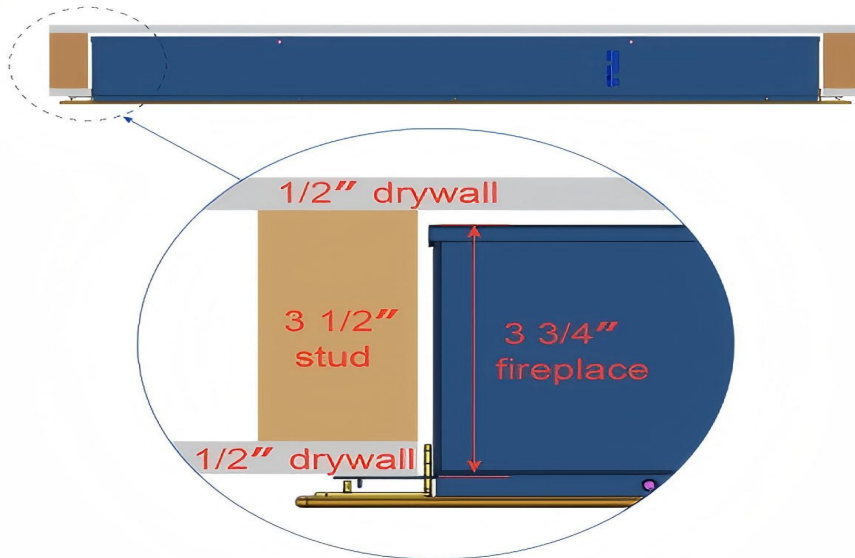
Recessed Installation

1. Remove the mounting bracket and the hang board from the fireplace.
2. Push the fireplace into the cabinet and secure it.
3. Place crystals inside the fireplace.
4. Put the glass front panel on the fireplace and secure it.



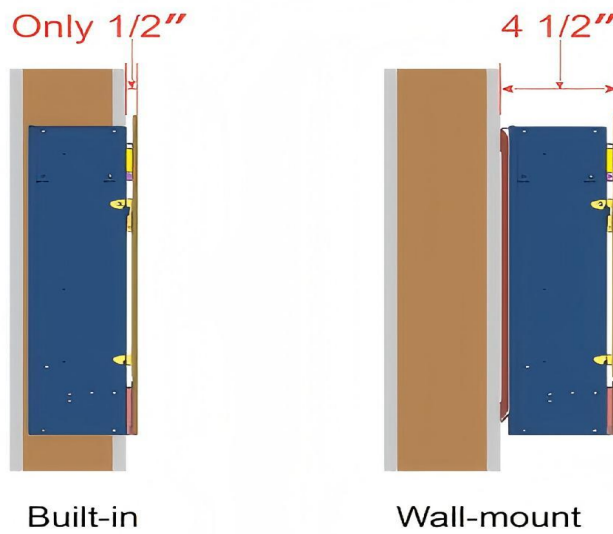
Ultra Thin Fireplace

The depth of fireplace is only 3 3/4", it can be fully recessed in the standard stud wall without customized cabinet.



Ultra Thin Fireplace

3 3/4" ultra thin electric fireplace not only can be recessed in wall, but also can be wall mounted, perfect fit for standard stud wall, no need customized cabinet, can be perfectly installed in wherever you needed to decorate your room, such as living room, entertainment center, kitchen and bedroom.





ATTENTION

The air intake of the fireplace is behind the top of the glass. Do not block it!
This will cause overheating due to the lack of air circulation inside the cabinet.
Ensure the gap for air intake is at least 1/4 inch.

