



U-Bracket Double Track Bypass Barn Door Hardware

Installation Manual



SAFETY PRECAUTIONS

⚠ WARNING!

- Power tools can cause serious damage if not professionally used. Safety gear must be worn before installation to prevent unexpected injuries.
- Pick an area free of hazardous condition before you start on the project. Please use tools and power tools responsibly any loss of control and accident deaths may occur due to abuse of tools.
- Please make sure all hardware is secured on to the door is sufficiently tight. Doors with loose hardware may result in unexpected serious injuries. To avoid any problems, be sure hardware is secure before door is put on the track.
- All hardware provided is for safety reasons. Anti-Jump systems are to prevent doors from falling off the track while in use. Please follow each instruction carefully. Track must be installed on studs in order to keep the track and doors secure from serious problems. All safety hardware and instructions included in this project must be used and followed specifically to prevent any unforeseen serious problems.

!CAUTION!

- Big objects required in this project are needed to be carefully and responsibly moved. Be sure to wear safety gloves and shoes to prevent any serious injury.
- Be extremely careful to not put any parts of your body against a moving part of the hardware. This may cause bruising, punctures, and other results of injuries when for example when fingers are caught in the closing area of the doors.
- Precautions should be taken when opening or closing the door(s). Handles should be used when attempting to slide the door(s). Always keep you and children aware and safe from any unexpected situations.
- Any extreme uncontrolled pressure opening or closing the door(s) can damage the hardware gradually. Use handle(s) to open and close the door(s) with care at all times.

HARDWARE INCLUDED

Different track length comes with different hardware quantity.
Please be sure to check the hardware you should have before installation.

Hanger/Roller Set

Steel Hanger/Roller (2) Hex Bolt (4), Acorn Nut (4), Washer (8) Anti-Jump Pad (2), Floor Guide (1) Door Stopper (2), Hex Wrench (1)

U Bracket Set

Bracket (2) Spacer (1) Bracket Lag Bolt (2)

Bracket & Track Bolt (1) Bracket Connector (2)

Junction Plate

Spacer Set

Spacer (1) Lag Bolt (1) Washer (1)

Flat Track

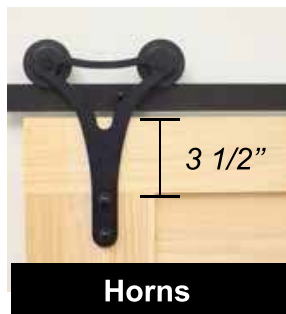
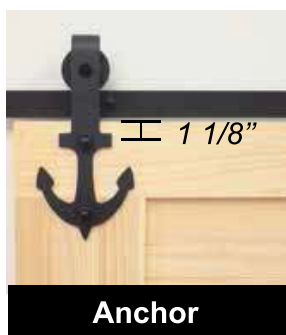
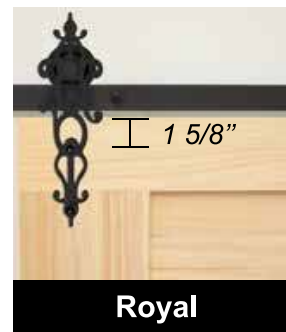
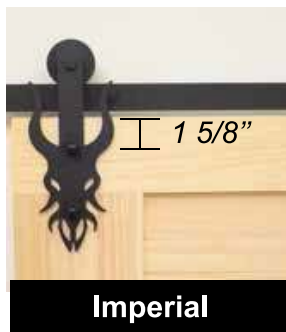
3/16" Washers

HARDWARE CHECKLIST

Part Name	4FT	4.5FT	5FT	5.5FT	6FT	6.6FT	7FT	7.5FT	8FT	9FT	10FT	11FT	12FT	13FT	14FT	15FT	16FT	18FT	20FT
Hanger/Roller Set	2	2	2	2	2	2	2	2	2	2	2	2	2	2	2	2	2	2	2
Flat Track	2	2	2	2	2	2	2	2	2	4	4	4	4	4	4	4	4	6	6
Spacer Set	3	3	4	4	5	5	5	6	6	6	8	8	10	10	10	12	12	15	15
U Bracket Set	3	3	4	4	5	5	5	6	6	6	8	8	10	10	10	12	12	15	15
Junction Plate	0	0	0	0	0	0	0	0	0	2	2	2	2	2	2	2	2	4	4
3/16" Washer	3	3	4	4	5	5	5	6	6	6	8	8	10	10	10	12	12	15	15

TYPE OF HANGERS

Please follow the measurement stated below, measuring from the top of the door to the center of the first hole.



INSTRUCTIONS

Notice: Line ① is for the first track; Line ② is for the bottom hole on the wall-mounting side of the U-Bracket; Line ③ is for the top hole on the wall-mounting side of the U-Bracket.

1. Draw a horizontal line ① using the following formula ($1/2'' + \text{Door Height} + 1\ 1/2''$).

Reminder: Make sure your floor is level. If not, please measure the distance from the highest point of your floor.

2. Draw a horizontal line ② parallel from line ① at the distance $2\ 7/8''$.

3. Draw another horizontal line ③ parallel from line ② at the distance $1\ 3/8''$.

1. Find all the studs and then lay your track onto the wall. Make sure the line ① you drew previously is on the center of the track and each hole is lined up with the studs. The mark them up.

2. Repeat the process for line ② and ③ .

REMINDER: Depth of first track to wall is $1\ 3/8''$. If you have a door trim be sure to use a header that has the same thickness of your trim before installation of the track. Also if your track cannot line up to the studs be sure to use a header board for safety purposes.

1. Drill previously marked holes and install the lag bolt and spacer onto the first hole as shown in the picture.

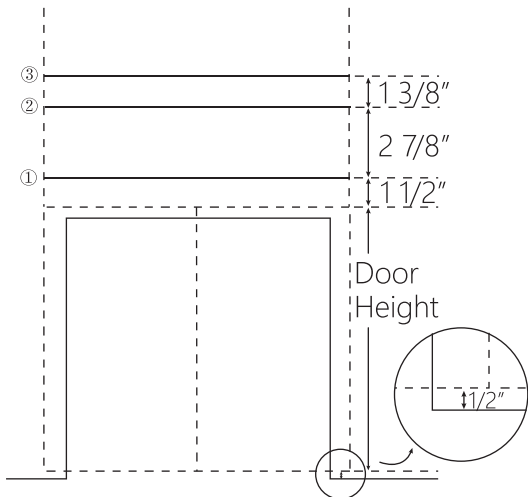
2. Install the door stoppers on an approximate position where you want the doors to stop.

3. Repeat the process for the remaining holes.

Reminder: Install the $3/16''$ washer in between the spacer and wall in order to enable smooth sliding.

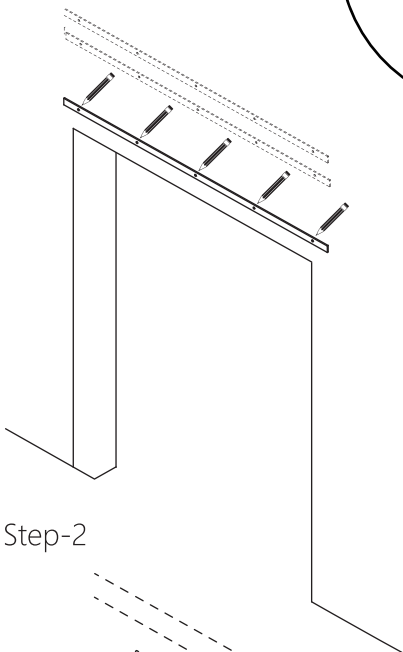
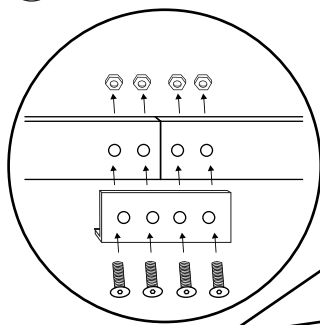
Notice: The reason of installing the door stoppers before mounting the second hole is to avoid taking off the already installed bolts and spacers if you decide to install the stoppers between the two holes. The door stoppers position is adjustable between the two holes using the hex wrench.

CAUTION: Do not over tighten when installing the track on any drywall surfaces or you may be at risk of damaging your drywall.

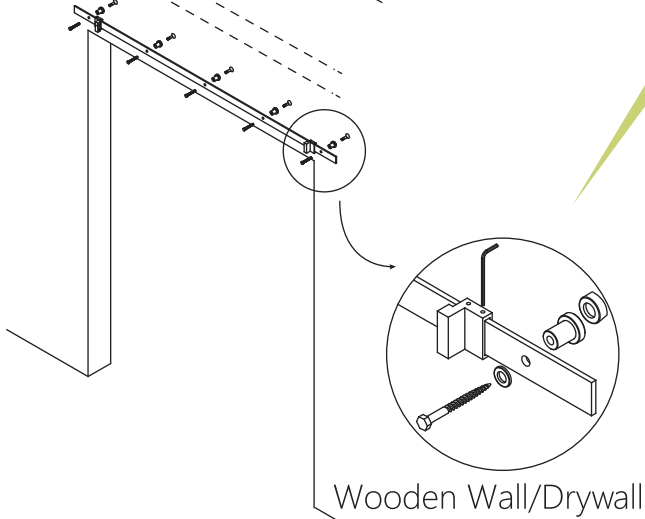


Step-1

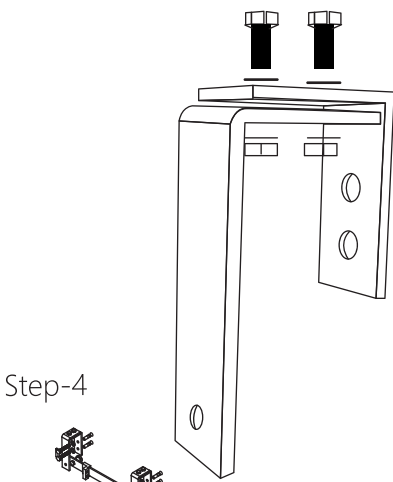
If your track comes in 2pcs or more, install the junction plate on to each two tracks like the diagram shown here.



Step-2

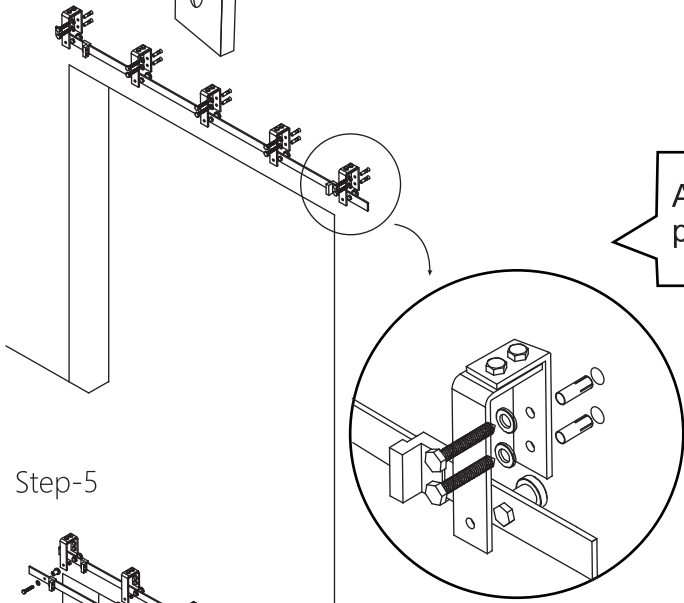


Step-3



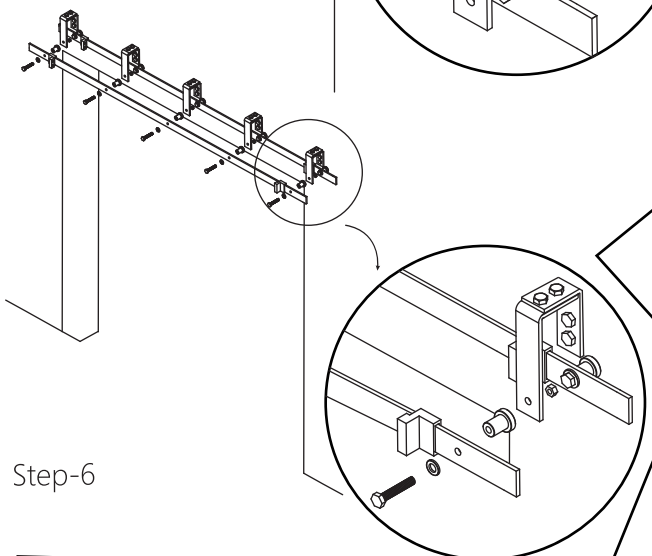
Connect the two L brackets using the bracket connectors as shown in the picture. The shorter L bracket goes on top of the longer L bracket.

Step-4



Attach all the brackets onto the wall as shown in the picture. The shorter L bracket goes onto the wall.

Step-5

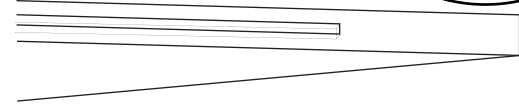


1. Attach the second track to the bracket using the bracket & track bolt and spacer for the first hole as shown in the picture.

2. Install the door stoppers on an approximate position where you want the doors to stop.

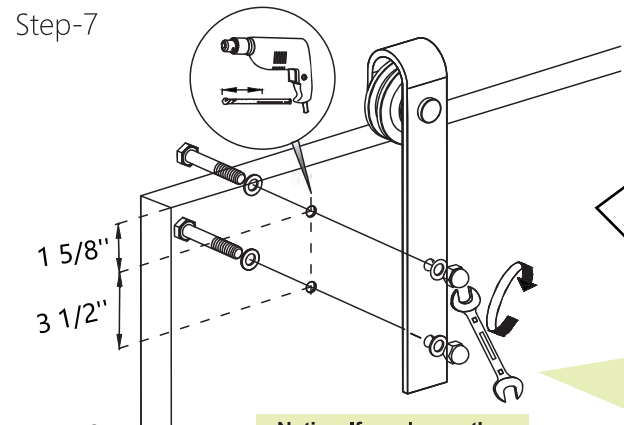
3. Repeat the process for the remaining holes.

Step-6



Route a slot that is 1/4" wide and 13/16" deep at the bottom of the door for all three doors. This groove will be used with the floor guide provided. If you do not want to open a slot underneath your doors, we do sell other types of floor guides that do not need the groove. You can type "floor guides" at the top left search bar of our website to see all the types of floor guide we have.

Step-7

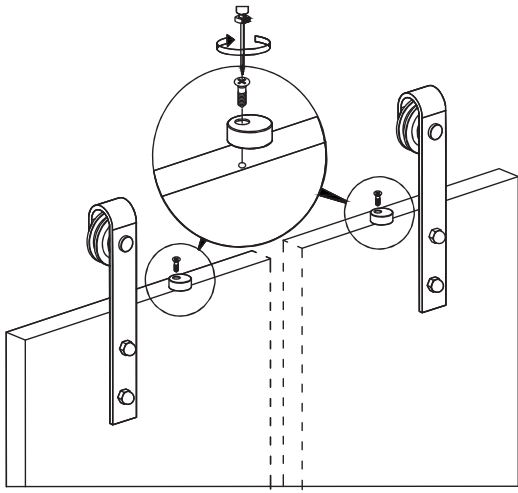


Drill the holes for the hanger according to the dimension given in the picture. The distance between the top edge of the door and the center of the upper hole is 1 5/8". The distance between the side edge of the door and the hanger is up to your choice. Typically around 2" to 4". Next, install the hex bolts and acorn nuts as shown in the picture.

Step-8

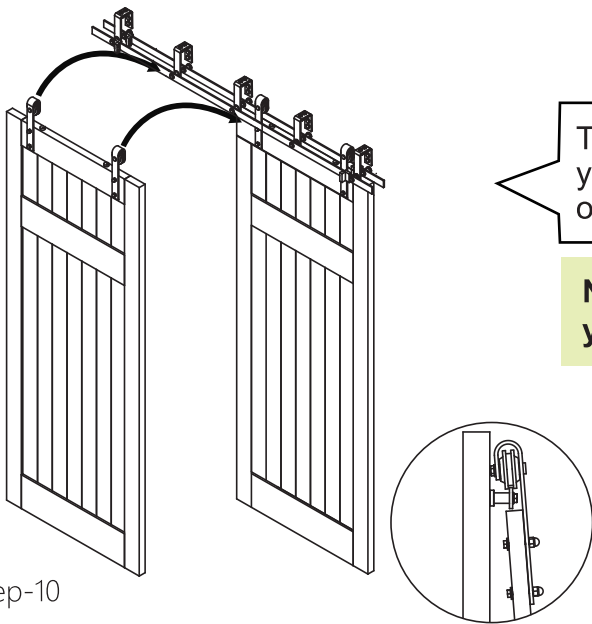
Notice: If you have other design hanger please look up the dimension on Page 3.

Please follow the diagram above on how the hex bolt, washers and nut should be installed on the door and hangers. Do not install them any other way since it may interfere with the function of the sliding system.



Install the anti-jump pads on top of the door as shown on the picture, it is suggested to mount them right below the track.

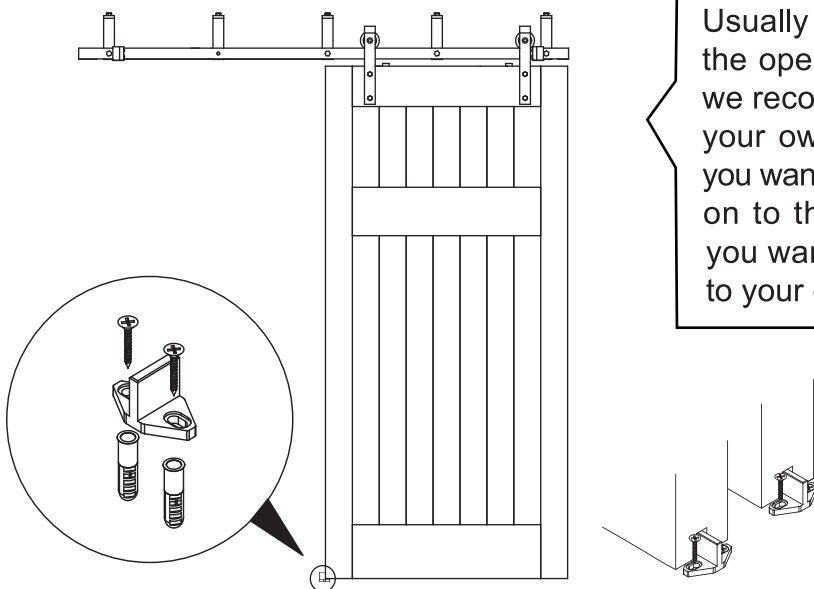
Step-9



To mount your doors onto the track, you will have to lift your door at a slight angle and rest both wheel grooves onto the top of the track carefully.

Notice: Please repeat Step 7 to Step 11 again for your second door installation.

Step-10



Usually floor guides are installed in the middle of the opening for U-bracket bypass hardwares but we recommend to install the regular floor guide in your own location preference depending on how you want your door to slide. After the door is hung on to the track you will be able to locate where you want the floor guide to be installed according to your decision of sliding.

Step-11

YOUR INSTALLATION IS COMPLETE!

www.homacer.com



SLIDING HARDWARE / BARN DOORS

High Quality • Exquisite Design • Outstanding Services

ABOUT US

At Homacer, our goal is to provide the finest sliding barn door hardware products and services for our valued customers. We keep polishing our products to make their quality better, prices lower and installation easier. We make it possible for you to get everything you need from us when you think about installing sliding barn doors.

CONTACT US

Customer Services

Office #: 1(770) 864-5437

Website: www.homacer.com

Email us: info@homacer.com

Bulk Order Program

To learn more about bulk order program you may contact us at

Office #: 1(770)-559-5849

Website: www.homacer.com/pages/membership-program

Email us: sales@homacer.com

LOCATION

1885 Beaver Ridge Cir, Ste A
Norcross, GA 30071