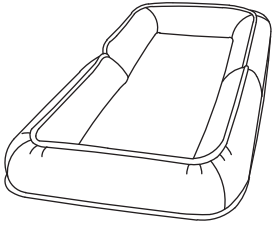


Assembly Instruction

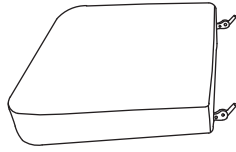


PART LIST

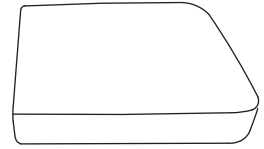
Ax1



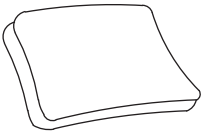
Bx1



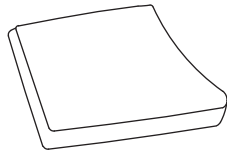
Cx1



Dx1



Ex1



Fx2



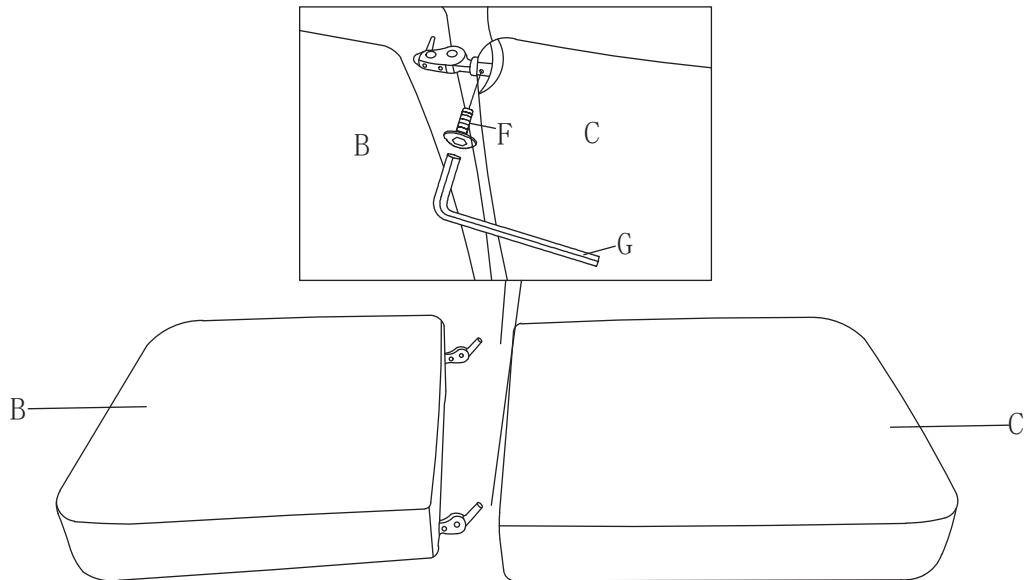
Gx1



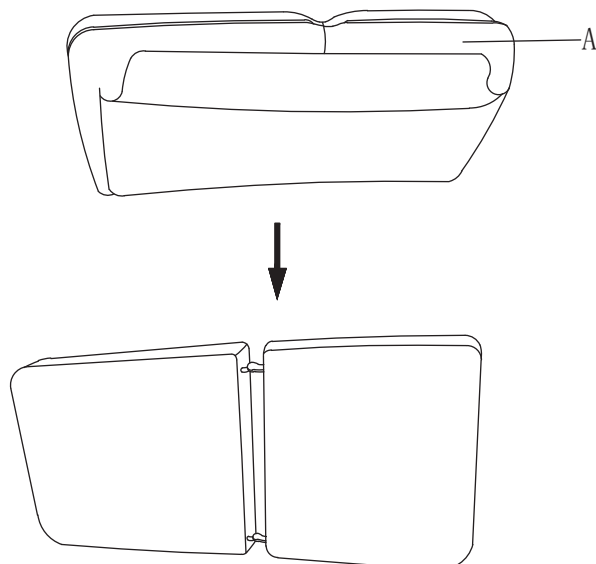
Hx1



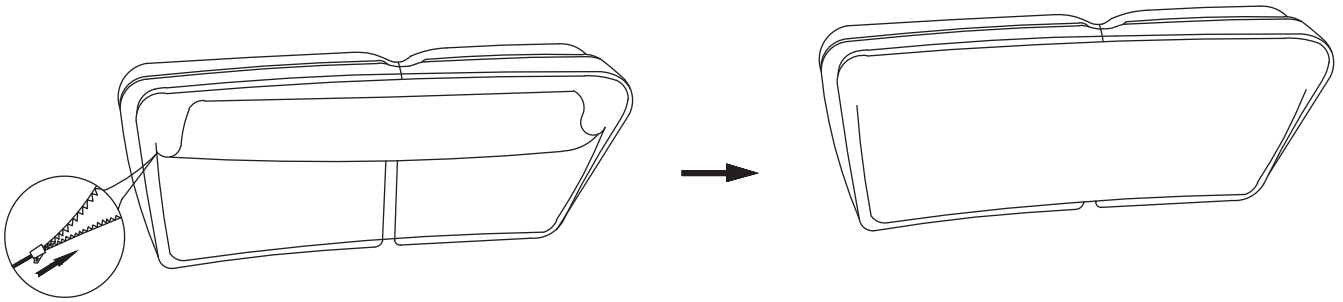
Step 1



Step 2

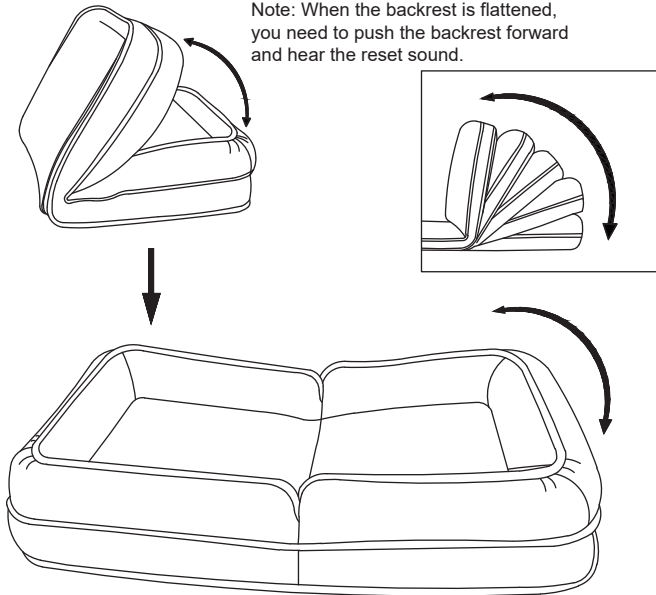


Step 3

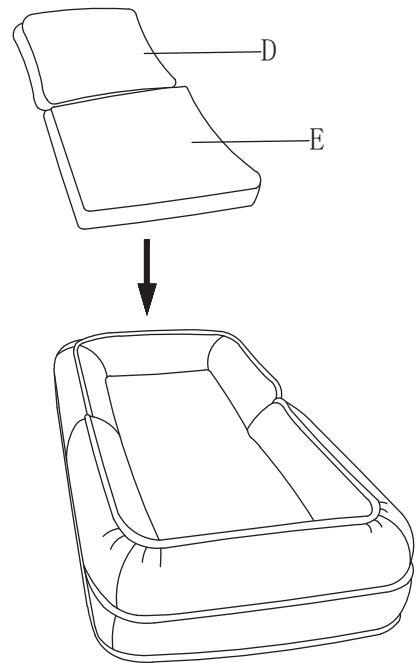


Step 4

Note: When the backrest is flattened, you need to push the backrest forward and hear the reset sound.



Step 5



Step 6

Due to compressed shipping, there may be wrinkles and lack of fullness when you first open the package. Please pat it with your hands and it will return to its original shape after a while. The wrinkles can be smoothed with an ironing machine.

