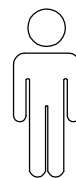
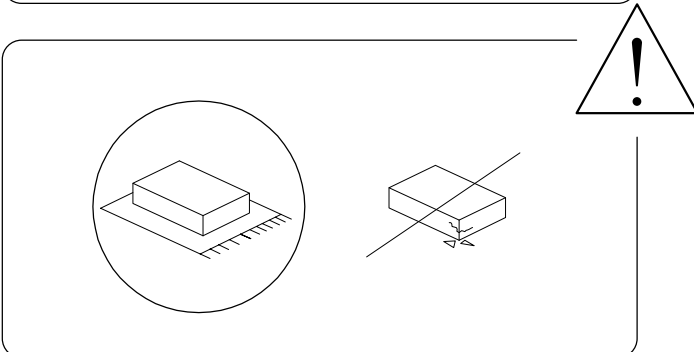
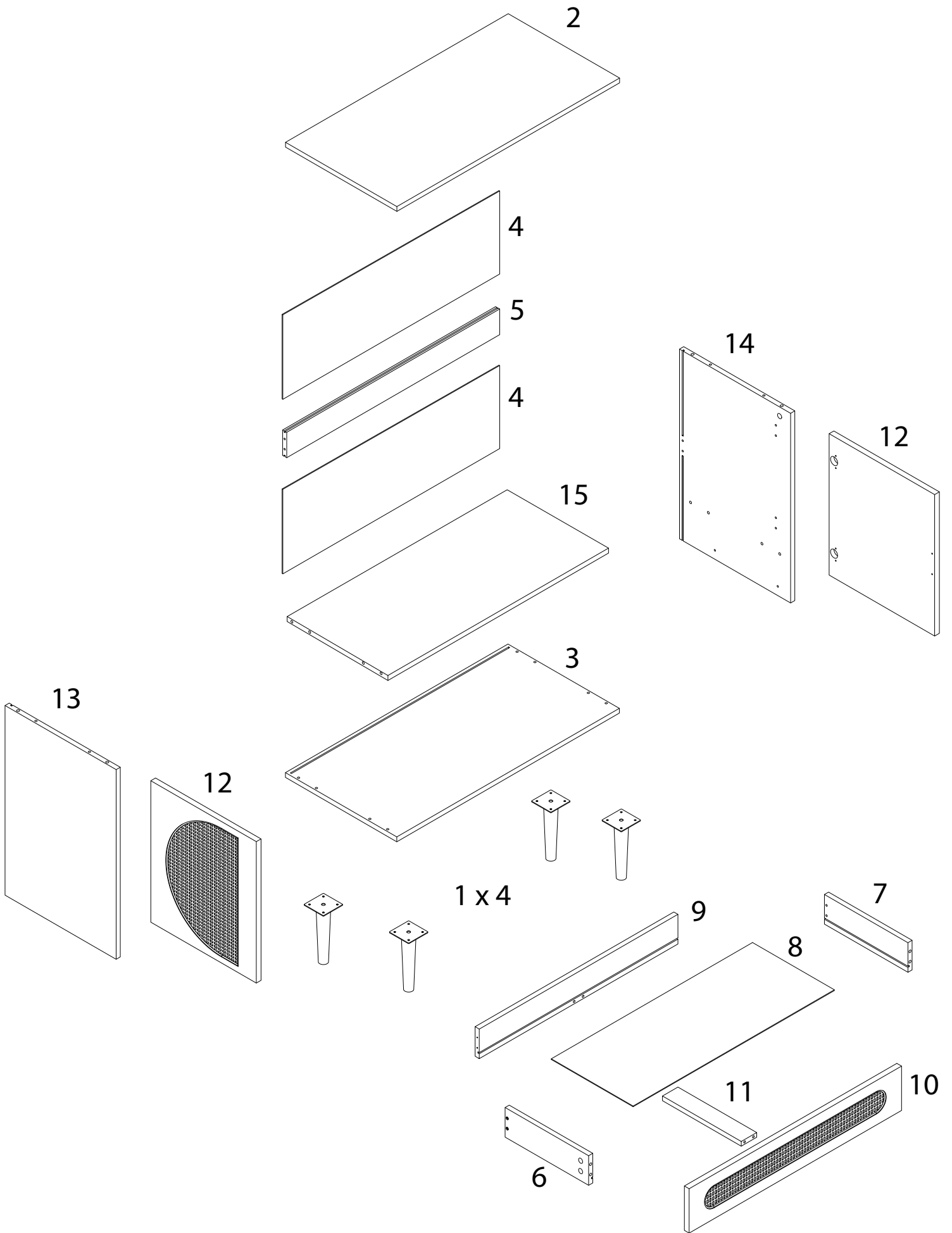


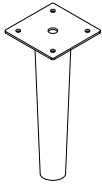
60'



2

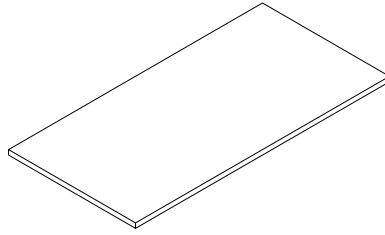


1



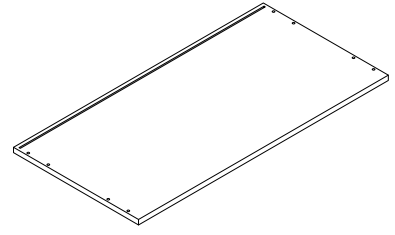
x 4

2



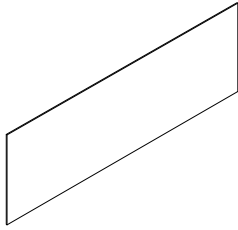
x 1

3



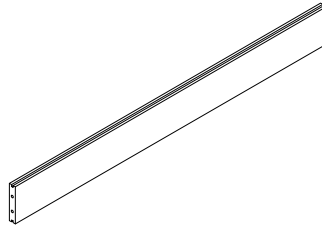
x 1

4



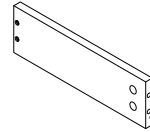
x 2

5



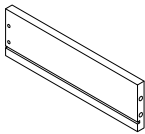
x 1

6



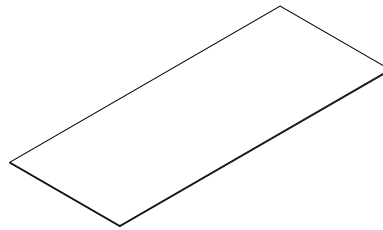
x 1

7



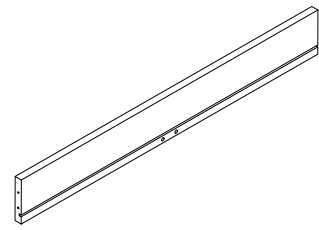
x 1

8



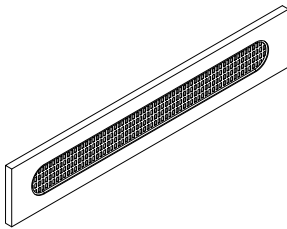
x 1

9



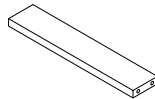
x 1

10



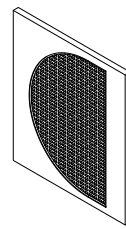
x 1

11



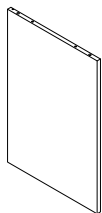
x 1

12



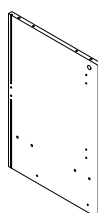
x 2

13



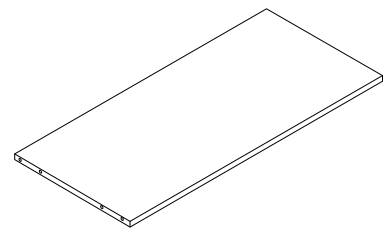
x 1

14



x 1

15



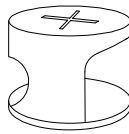
x 1

A



x 16

B



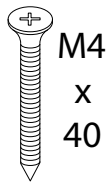
x 16

C



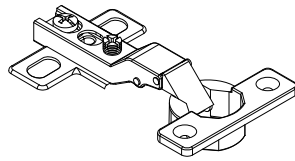
x 16

D



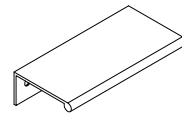
x 10

E



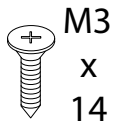
x 4

F



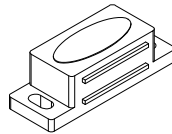
x 3

G



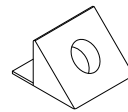
x 46

H



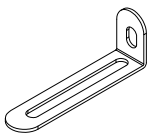
x 2

I



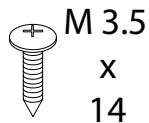
x 12

J



x 2

K



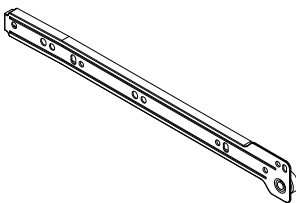
x 18

L



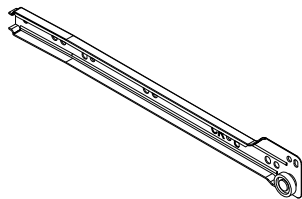
x 2

CL



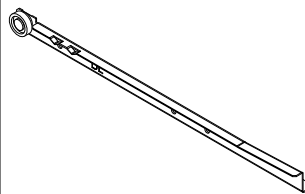
x 1

CR



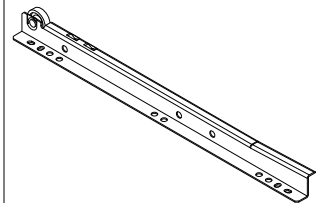
x 1

DL



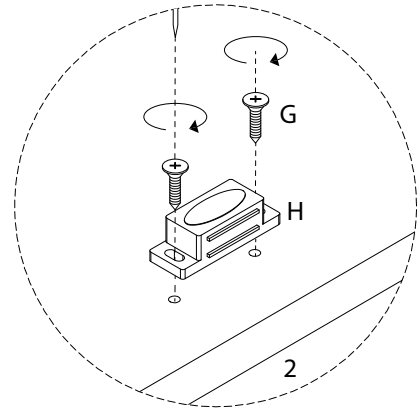
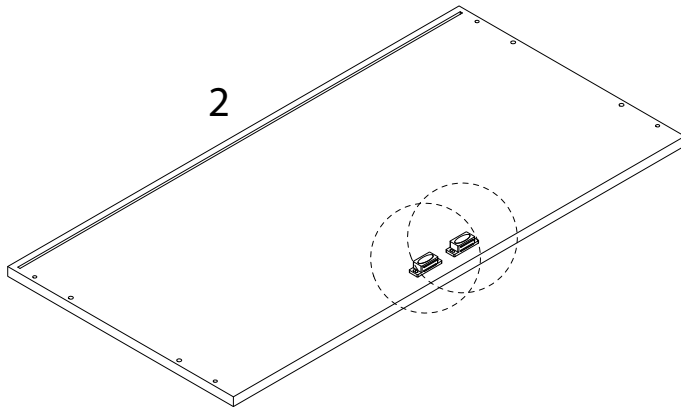
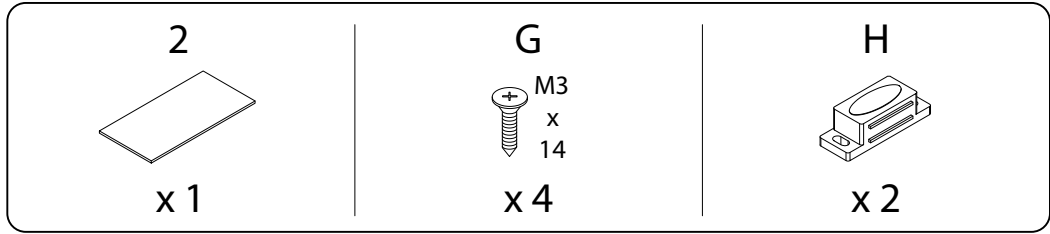
x 1

DR

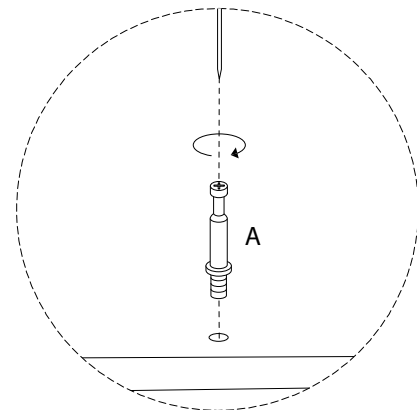
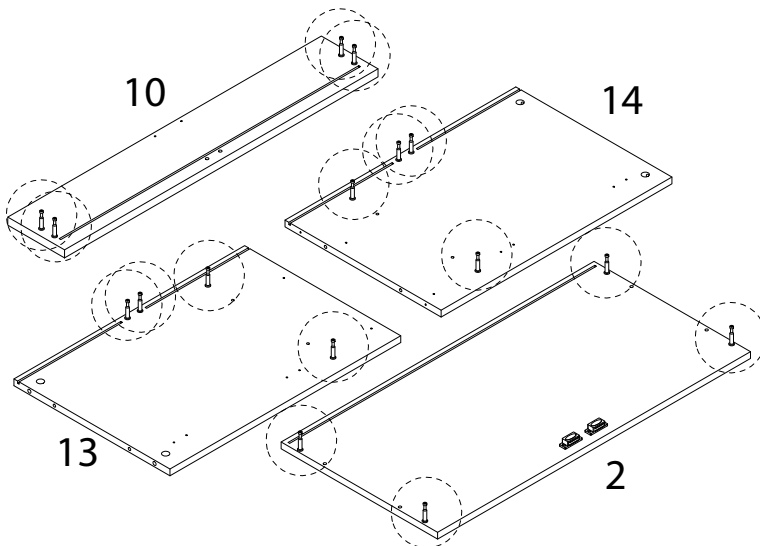
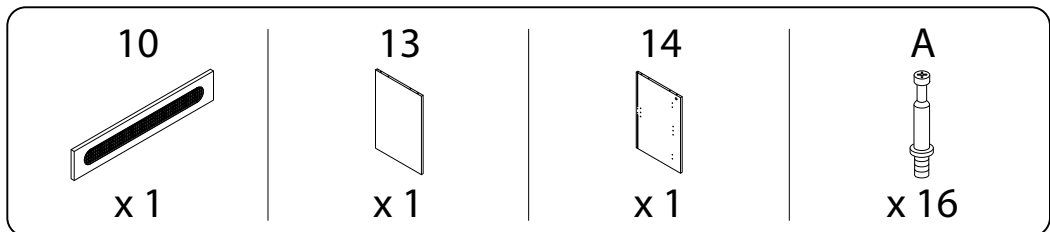


x 1

1

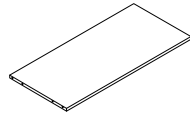


2



3

15

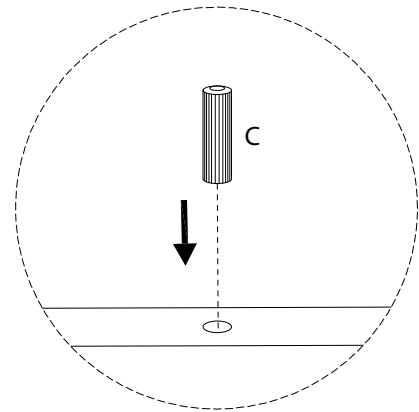
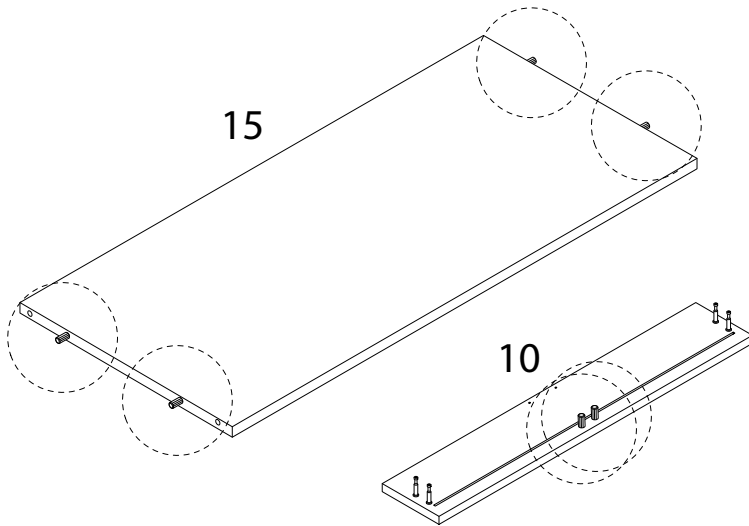


x 1

C



x 4



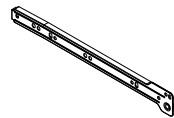
4

G



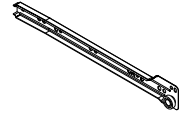
x 4

CL

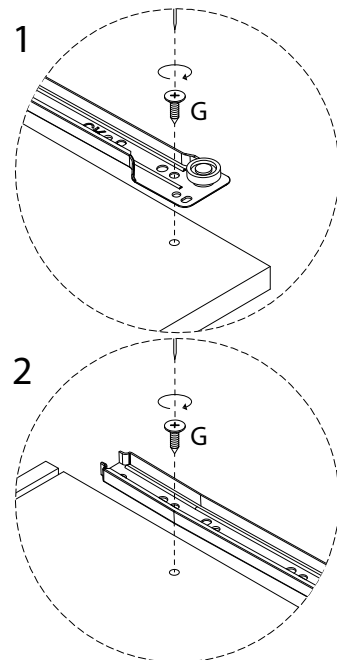
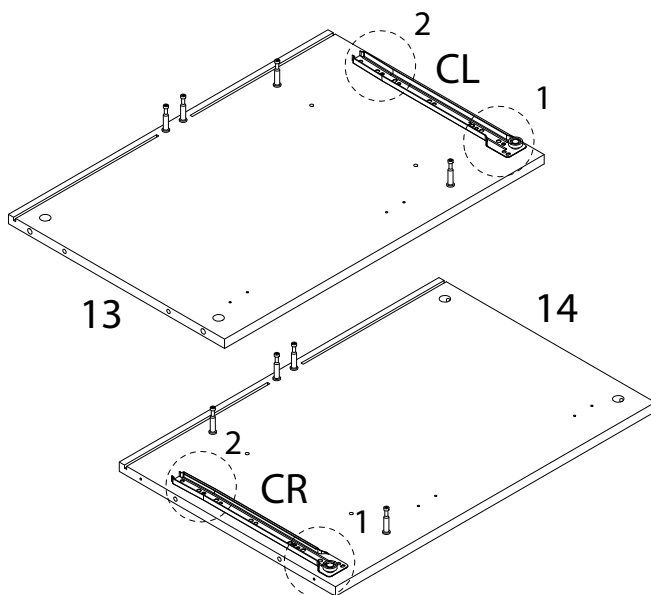


x 1

CR

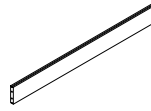


x 1

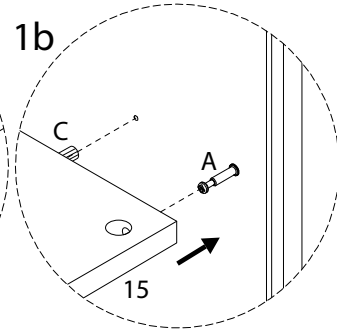
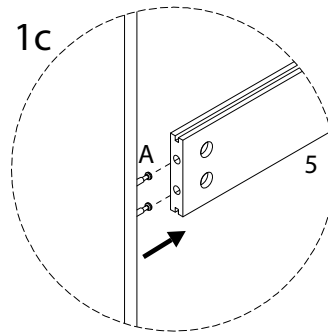
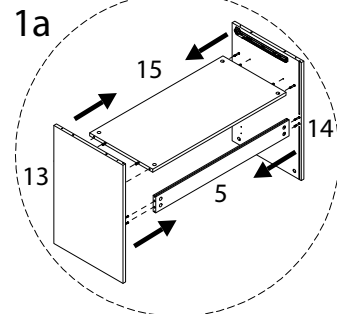
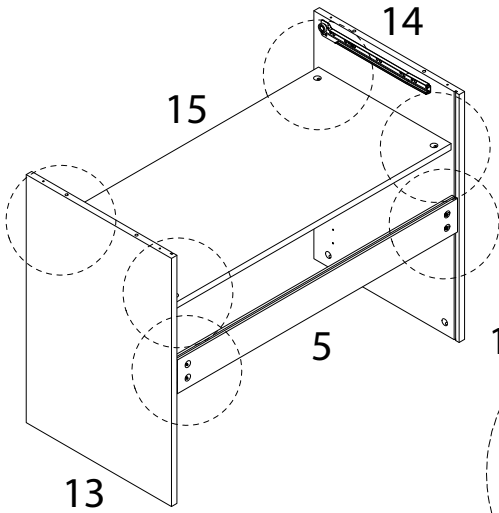


5

5

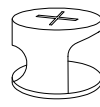


x 1

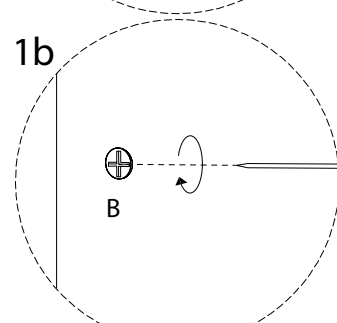
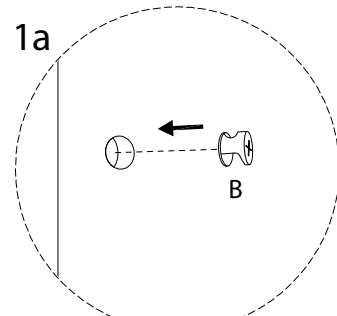
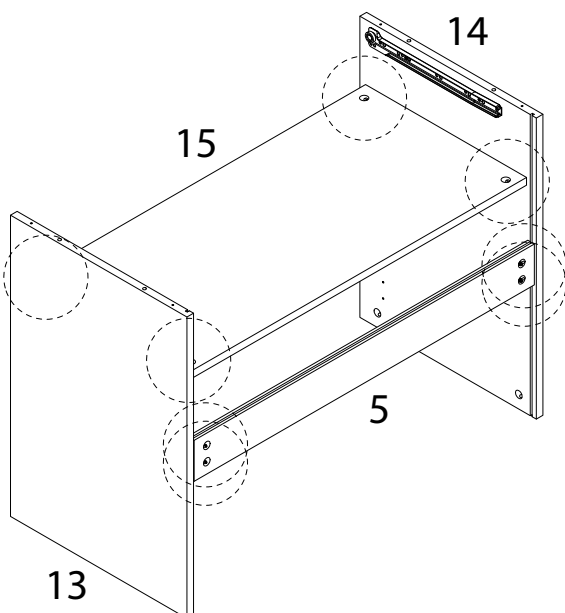


6

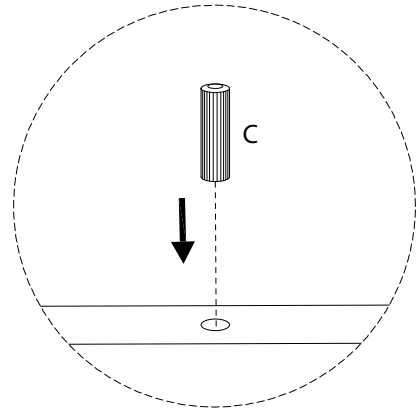
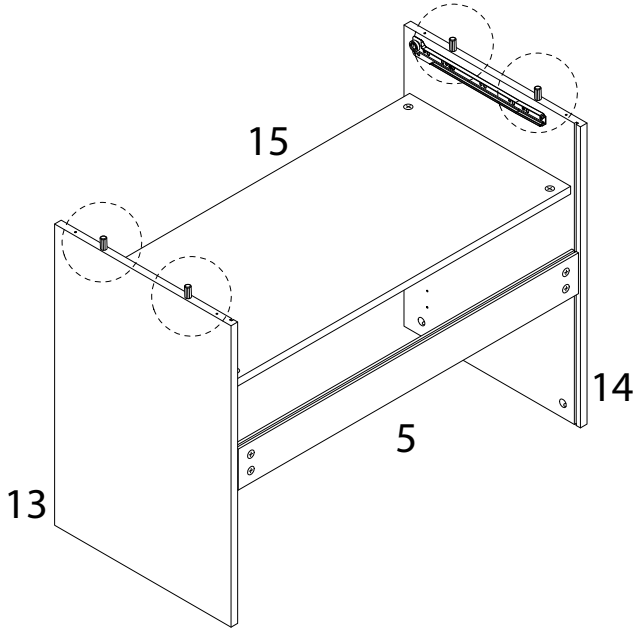
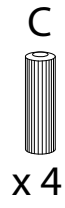
B



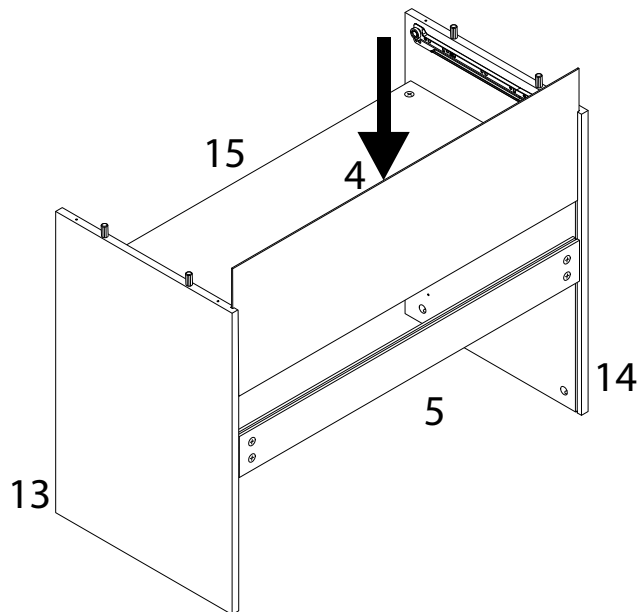
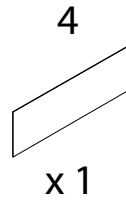
x 8



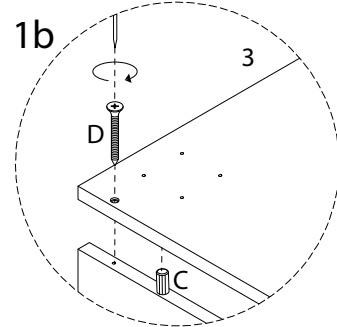
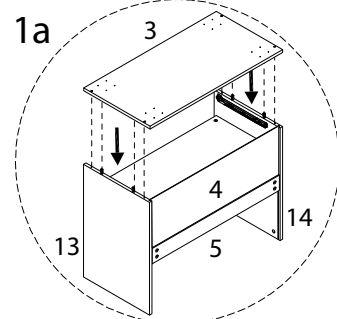
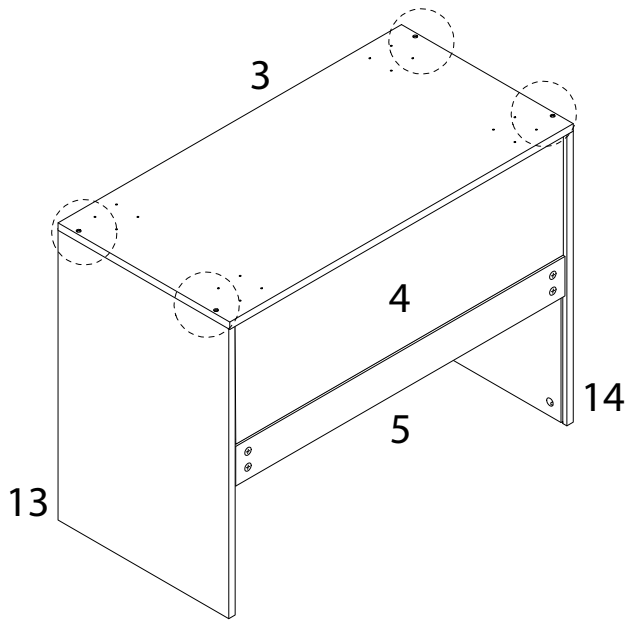
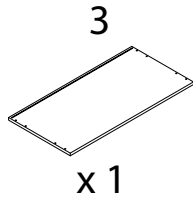
7



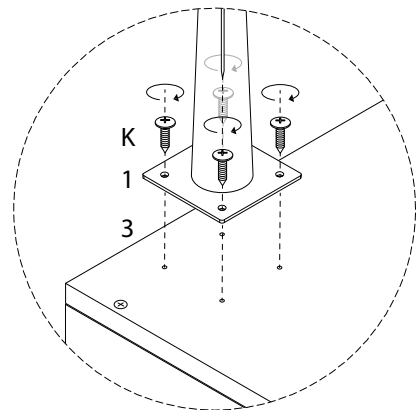
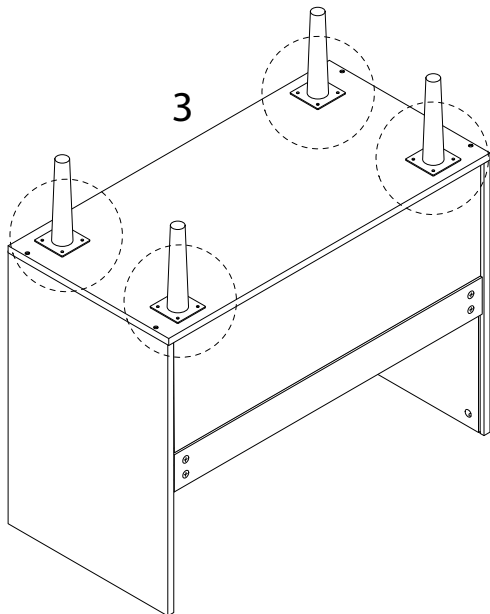
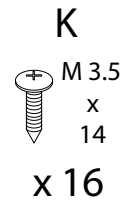
8



9

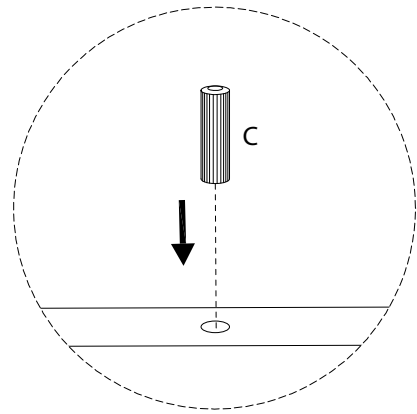
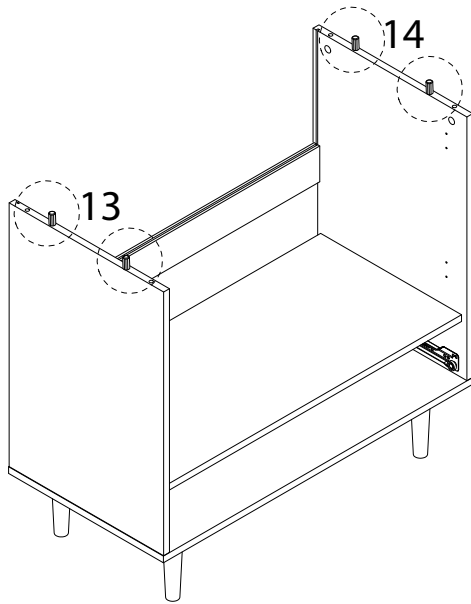


10



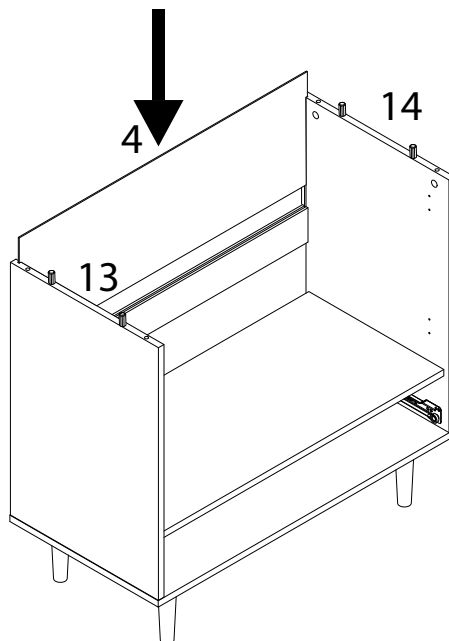
11

C
x 4

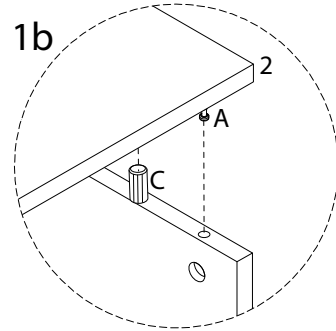
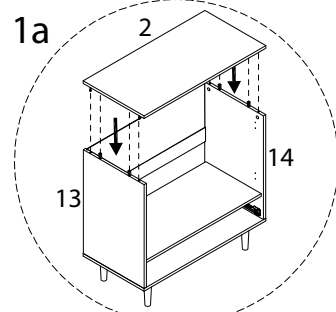
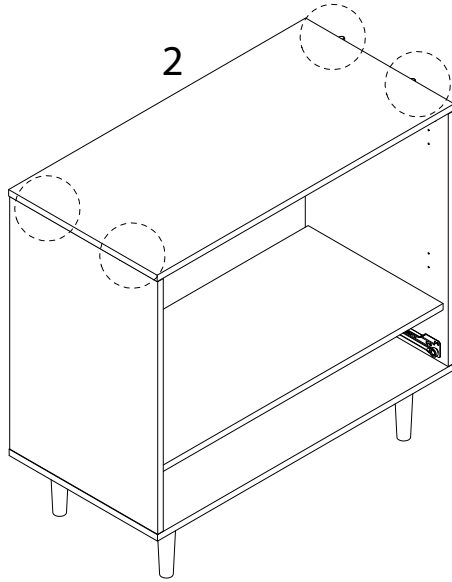


12

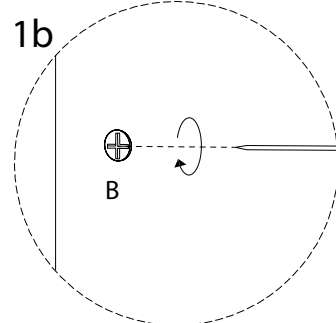
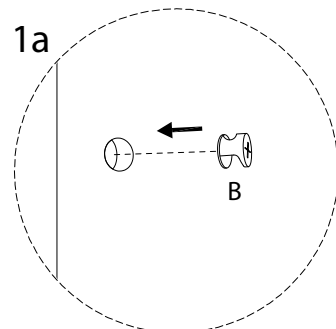
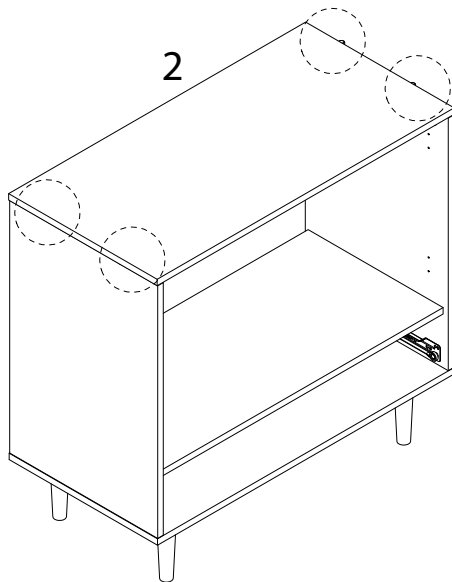
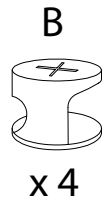
4
x 1



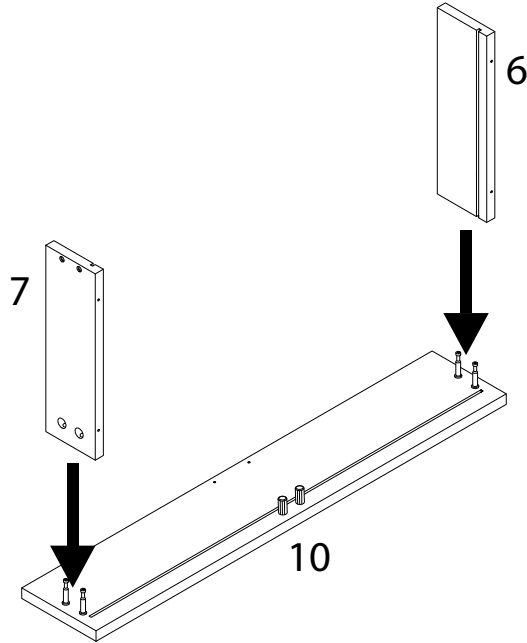
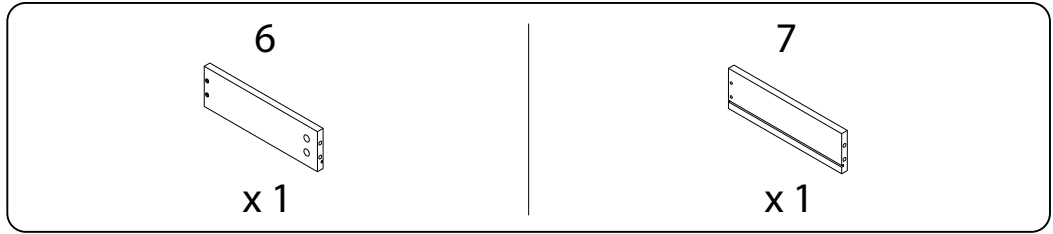
13



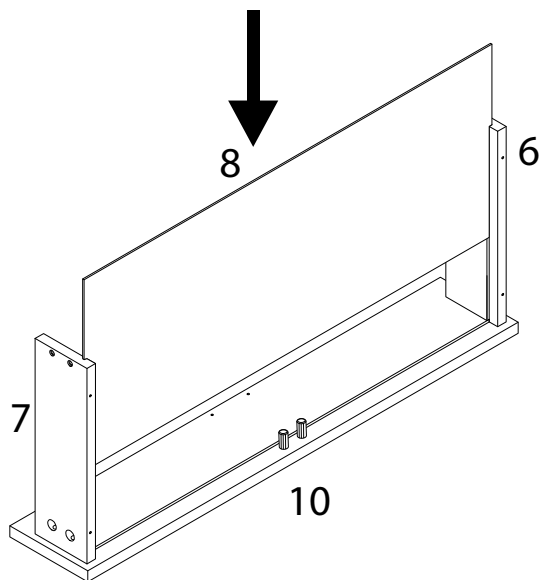
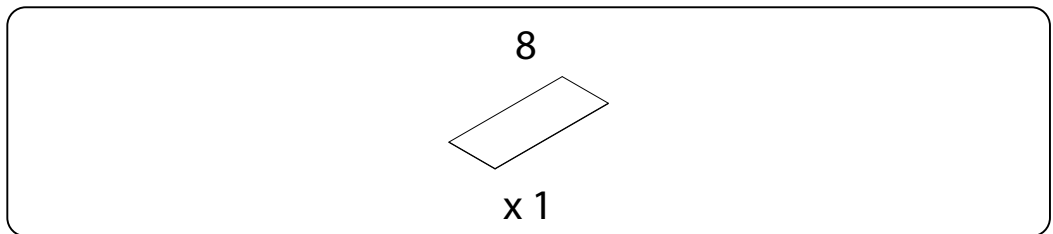
14



15

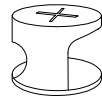


16

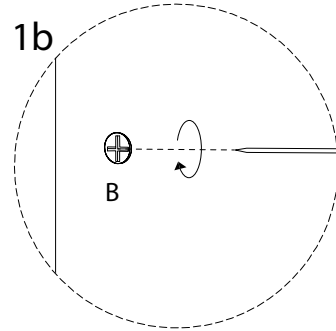
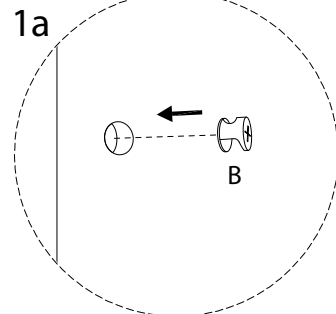
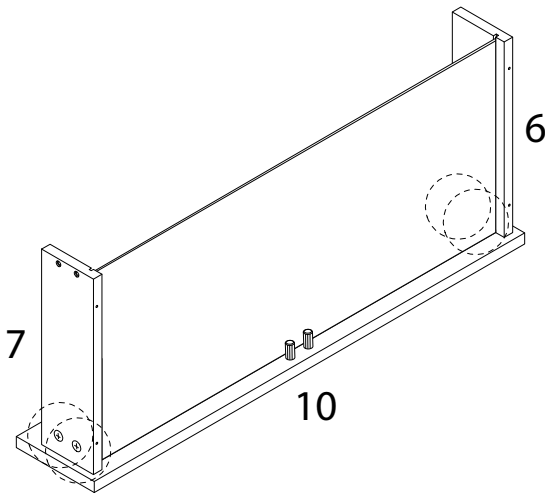


17

B

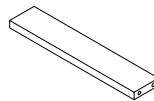


x 4

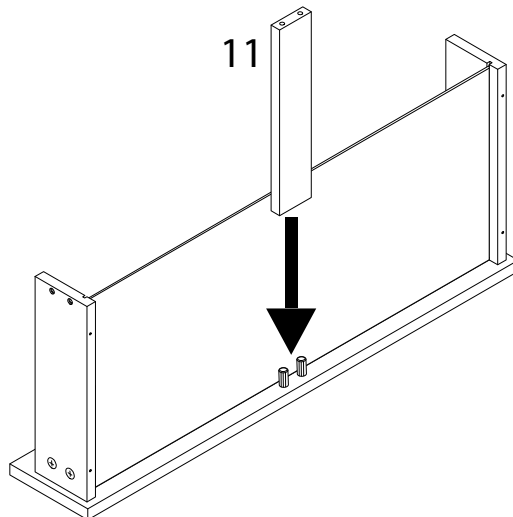


18

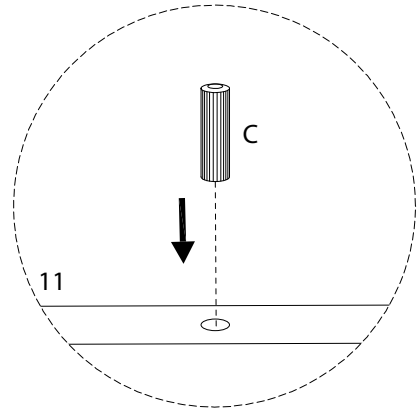
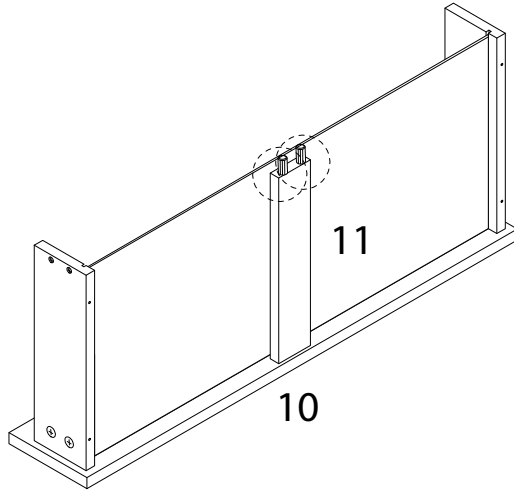
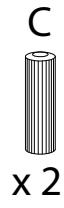
11



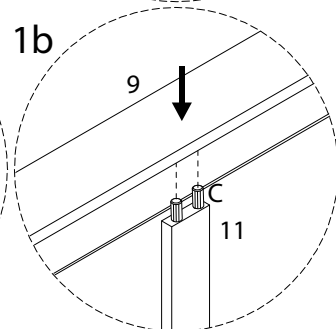
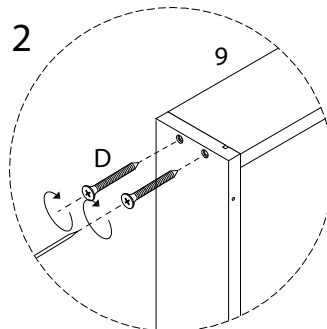
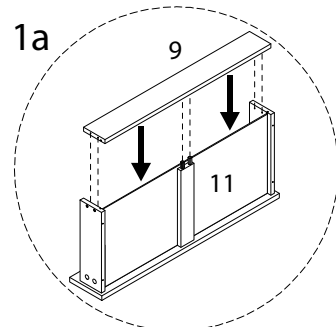
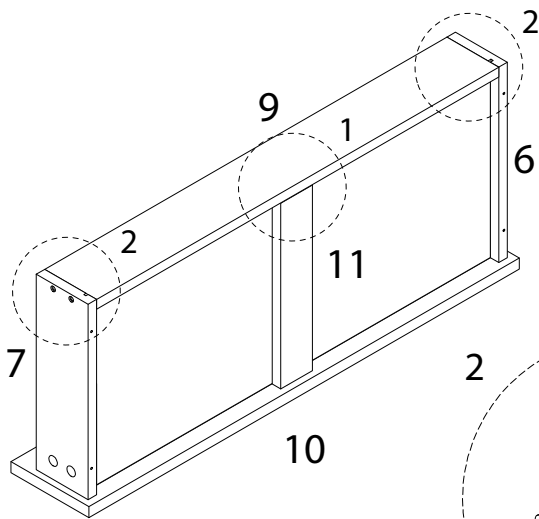
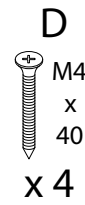
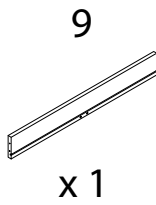
x 1



19



20



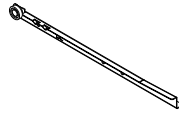
21

G



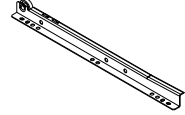
x 4

DL

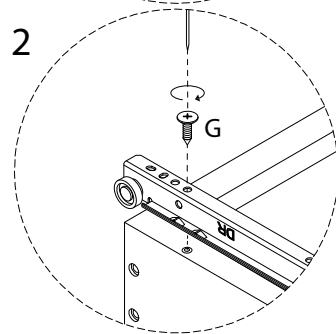
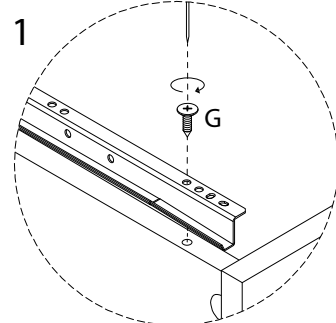
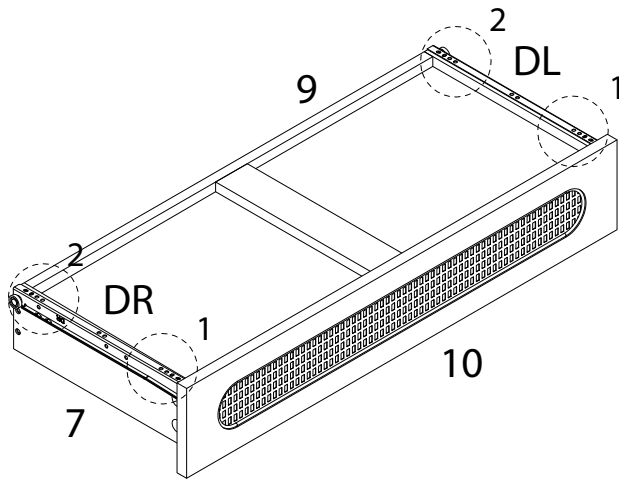


x 1

DR

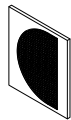


x 1



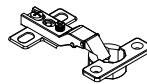
22 x 2

12



x 1

E

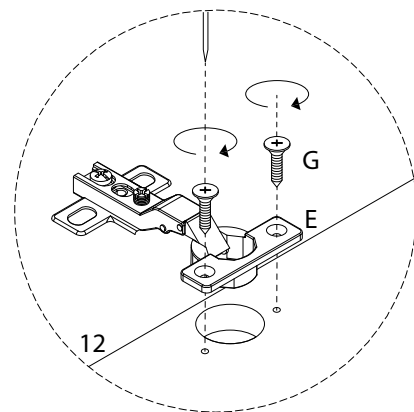
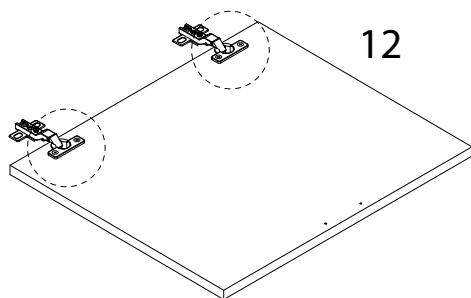


x 2

G

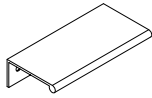


x 4



23 x 2

F

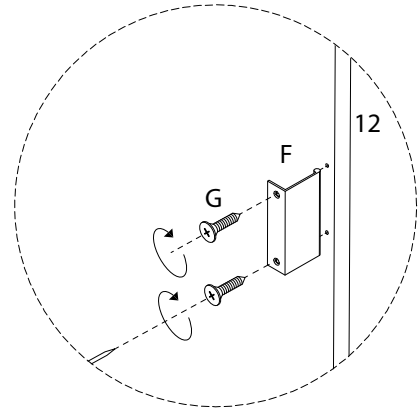
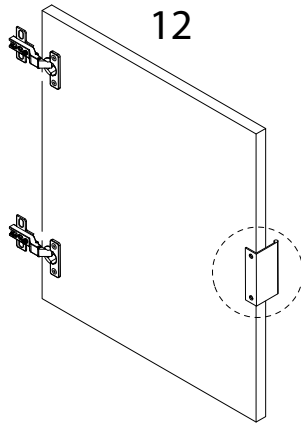


x 1

G

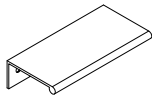


x 2



24

F

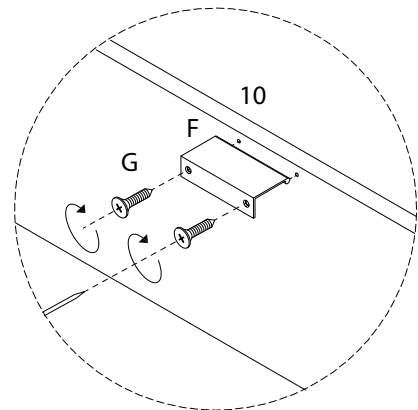
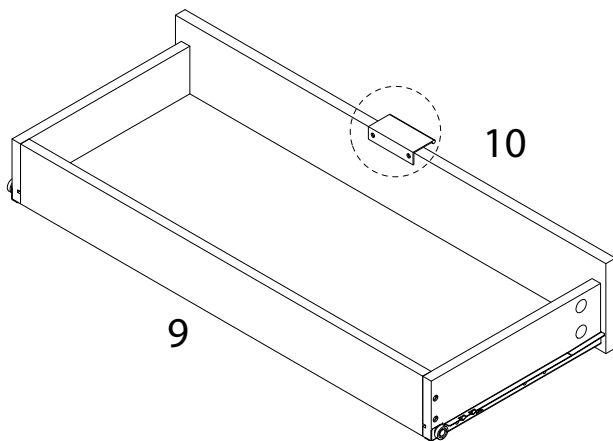


x 1

G



x 2



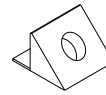
25

G

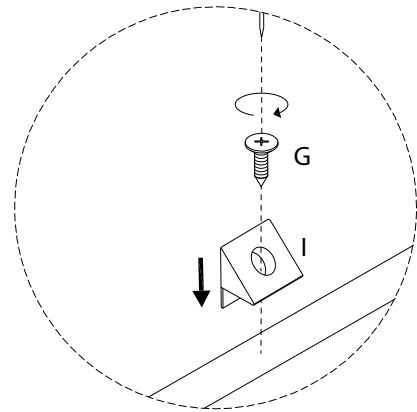
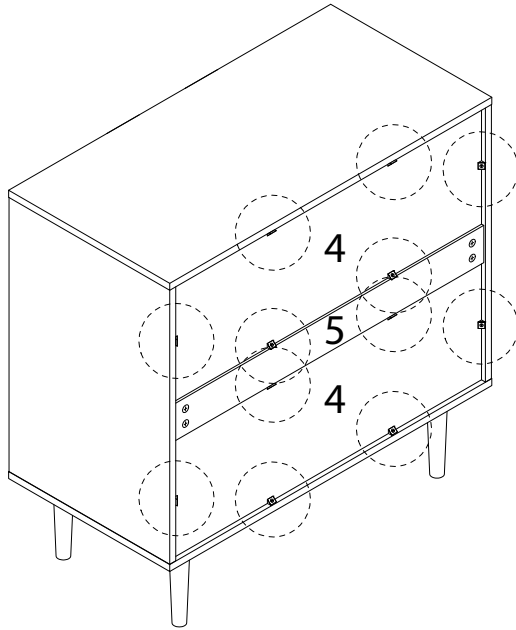


x 12

I



x 12

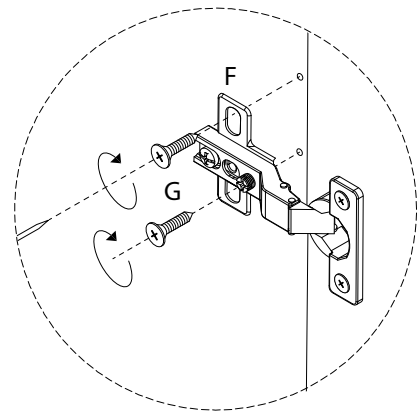
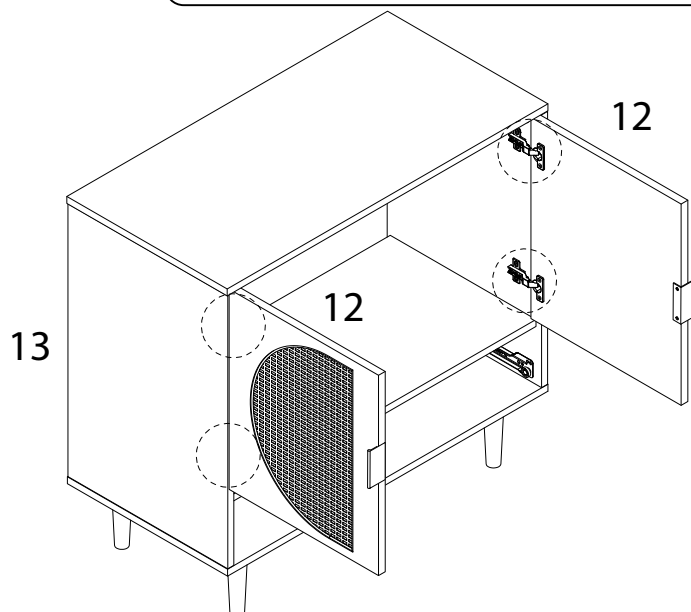


26

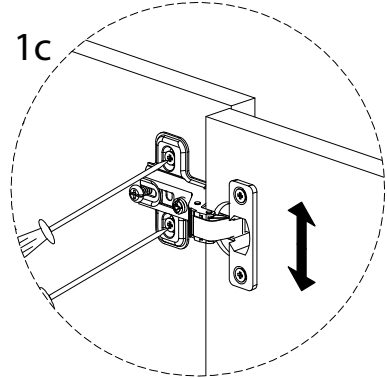
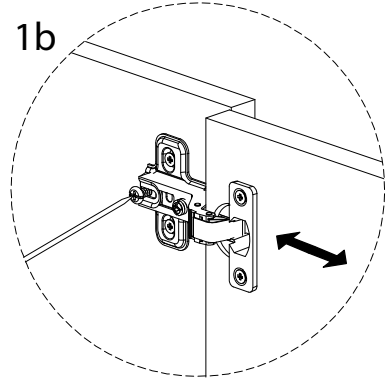
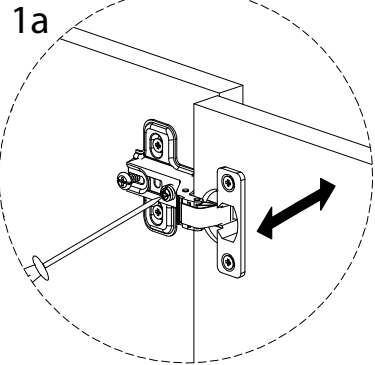
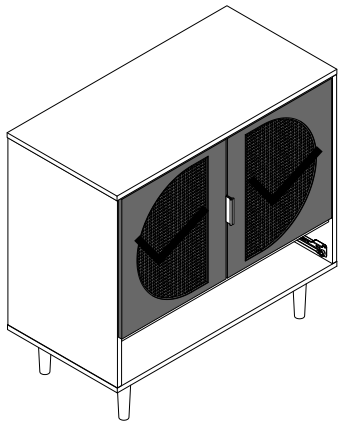
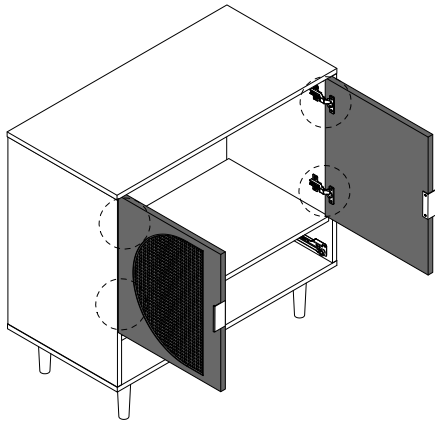
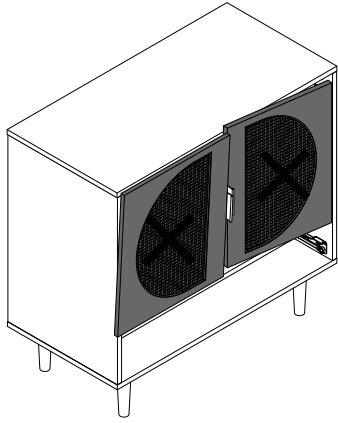
G



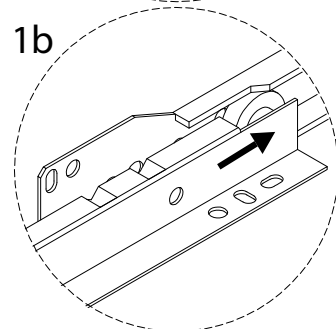
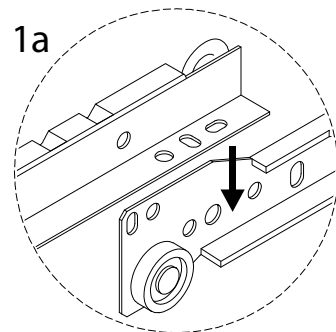
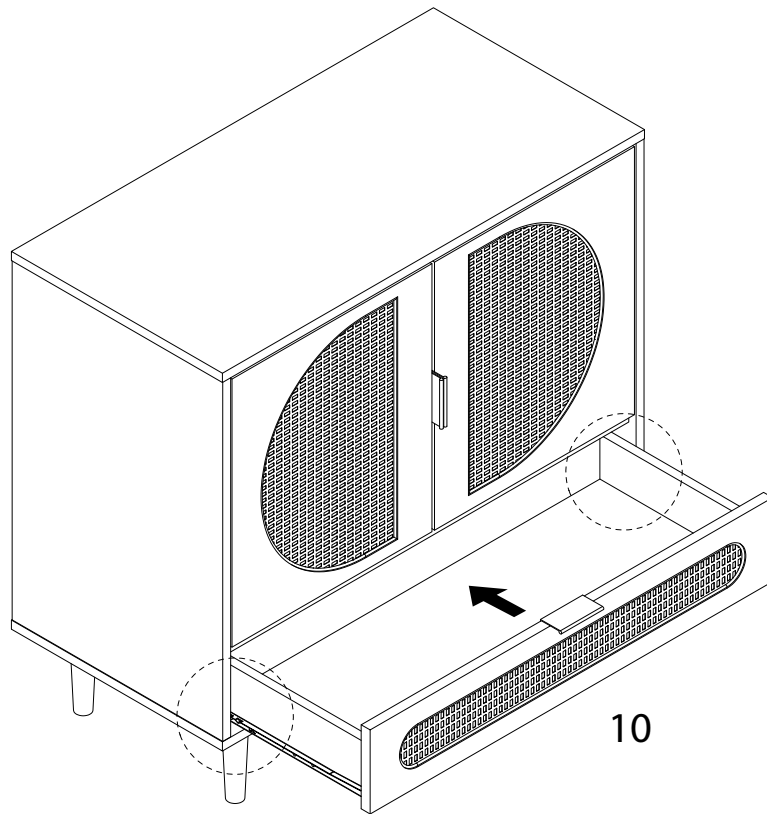
x 8



!



27



28

