

Thank you for purchasing the product. Please take time to read and follow the instruction below. Check that you have all parts and hardware before assembly. Parts apparently missing are often found in the packing materials. If you do not have all the parts listed, have your dealer contact us and they will be sent to you immediately.



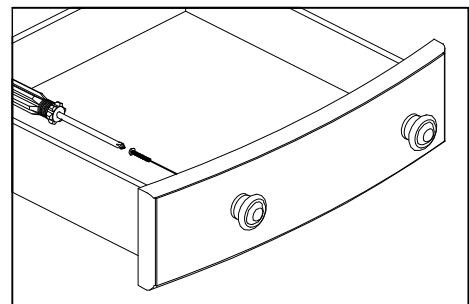
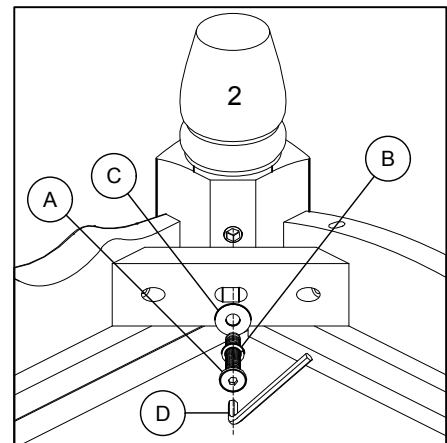
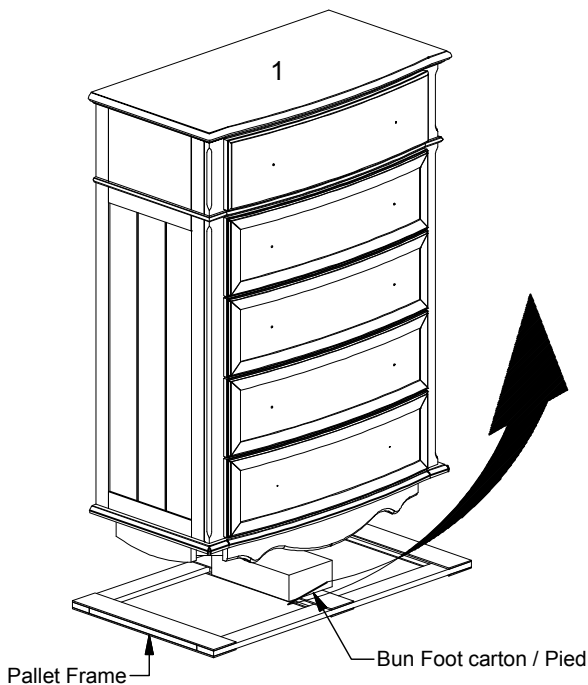
It is recommended to install protective pads under all legs and supports to avoid damage or scratches when placing furniture on a wood floor or other hard surcafe, and to limit indentation and prevent discoloration if placing on carpet.

PART LIST / LISTE DE PIECES		
NO	DESCRIPTION	QTY/PCS
1	CHEST / COMMODE	1 PC
2	BUN FOOT / PIED	4 PCS

HARDWARE LIST / LISTE DE QUINCAILLERIE		
NO	DESCRIPTION	QTY/PCS
A	JCBB SCREW / BOULON M8 x 1.25 x 50mm	4 PCS
B	SPRING WASHER / RONDELLE D'ARRET 5/16" x 23/64" x 33/64" x 0.04"	4 PCS
C	FLAT WASHER / RONDELLE PLATE 5/16" x 23/64" x 55/64" x 0.05"	4 PCS
D	ALLEN KEY / CLE' ALLEN M5 x 65mm	1 PC

*HARDWARE SET IS IN B1799-9 FOR ASSEMBLY

NOTE : YOU WILL ALSO NEED A PHILIP SCREWDRIVER (NOT PROVIDED)



Re-assemble handle from inside to outside position.

NOTE

Tipping restraint hardware kit is included with this product. Refer to installation instruction in the hardware pack.

*Anti-tipping hardware pack is at the back panel.

**DO NOT TIGHTEN BOLTS UNTIL COMPLETELY ASSEMBLED.
NE PAS SERRER LES BOULONS JUSQU'À CE QUE LE MONTAGE SOIT COMPLETMENT**